



US00D919180S

(12) **United States Design Patent** (10) **Patent No.:** **US D919,180 S**
Knox et al. (45) **Date of Patent:** **** *May 11, 2021**

(54) **HAIR STRAIGHTENER**

(56) **References Cited**

(71) Applicant: **Dyson Technology Limited**, Wiltshire (GB)

U.S. PATENT DOCUMENTS

(72) Inventors: **Alexander Stuart Knox**, Swindon (GB); **Stephen Benjamin Courtney**, Gloucester (GB); **Andrew Drummond Flynn**, Bristol (GB); **Richard David Nicolaou**, Swindon (GB); **Frederick Stuart Grotrian**, Swindon (GB); **Samuel James Czerpak**, Reading (GB); **Ian Dwight Sansom**, Bristol (GB)

D511,023 S 10/2005 Cho
D541,472 S 4/2007 Kuchler et al.
D543,314 S 5/2007 Morgandi
D596,798 S * 7/2009 Keong D28/35
D606,254 S 12/2009 Leung
D618,395 S 6/2010 Mau

(Continued)

FOREIGN PATENT DOCUMENTS

CA 163619 S 12/2016
CN 302375301 S 3/2013

(Continued)

(73) Assignee: **Dyson Technology Limited**, Malmesbury (GB)

OTHER PUBLICATIONS

(*) Notice: This patent is subject to a terminal disclaimer.

Dyson Corrale hair straightener [online], [site visited Oct. 21, 2020], Available from internet, URL:<<https://www.dyson.com/hair-care/dyson-corrале-straightener/dyson-corrале-straightener-black-nickel-fuchsia>> (Year: 2020).*

(**) Term: **15 Years**

Primary Examiner — Cynthia Ramirez

Assistant Examiner — Xavier Marti-Santos

(21) Appl. No.: **29/713,112**

(74) *Attorney, Agent, or Firm* — Morrison & Foerster LLP

(22) Filed: **Nov. 13, 2019**

(57) **CLAIM**

We claim the ornamental design for a hair straightener, as shown and described.

(30) **Foreign Application Priority Data**

DESCRIPTION

May 14, 2019 (EM) 006453668-0003

(51) **LOC (13) Cl.** **28-03**

(52) **U.S. Cl.**
USPC **D28/35**

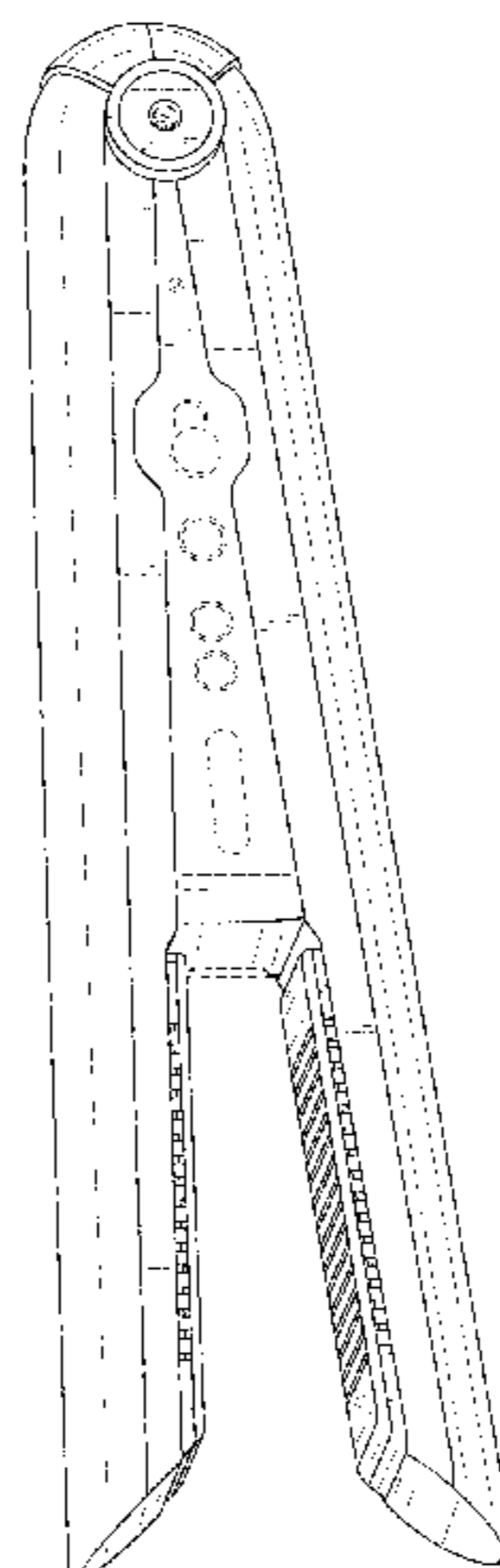
(58) **Field of Classification Search**
USPC D28/10, 35, 37, 38
CPC A45D 2/00; A45D 2001/045; A45D 1/16;
A45D 1/04; A45D 1/18; A45D 1/06-14;
A45D 2/02-10; A45D 2/38-42; A45D
2/001-002

FIG. 1 is a front perspective view of a hair straightener showing our new design;
FIG. 2 is a side view thereof;
FIG. 3 is a side view of the opposite side of FIG. 2;
FIG. 4 is a top view thereof;
FIG. 5 is a bottom view thereof;
FIG. 6 is a front view thereof; and,
FIG. 7 is a rear view thereof.

The broken lines shown in the drawings illustrate portions of a hair straightener that form no part of the claimed design.

See application file for complete search history.

1 Claim, 6 Drawing Sheets



(56)

References Cited

U.S. PATENT DOCUMENTS

D627,513 S 11/2010 Kim
D627,515 S 11/2010 Kim
D627,924 S 11/2010 Lee
D632,429 S 2/2011 Kim
D632,431 S 2/2011 Kim
D641,927 S 7/2011 Kim
D645,614 S 9/2011 Kim
D651,741 S 1/2012 Kim
D651,743 S 1/2012 Kim
D672,088 S * 12/2012 Julemont D28/35
D672,089 S * 12/2012 Julemont D28/35
D682,467 S 5/2013 Kim
D716,497 S 10/2014 Renault
D729,450 S 5/2015 Van Maanen
D758,013 S * 5/2016 Bermudez D28/35
D769,523 S 10/2016 Fan
D808,588 S * 1/2018 Kim D28/35
2016/0255936 A1 * 9/2016 deGrood A45D 1/04

FOREIGN PATENT DOCUMENTS

CN 302386198 S 4/2013
CN 303014047 S 11/2014
CN 304049509 S 2/2017
CN 304060187 S 2/2017
CN 305747595 * 11/2019
EM 006453668-0001 * 5/2019
EM 006453668-0002 * 5/2019
IN 323005-001-0001 * 10/2019
KR 3010699620003 * 11/2019

* cited by examiner

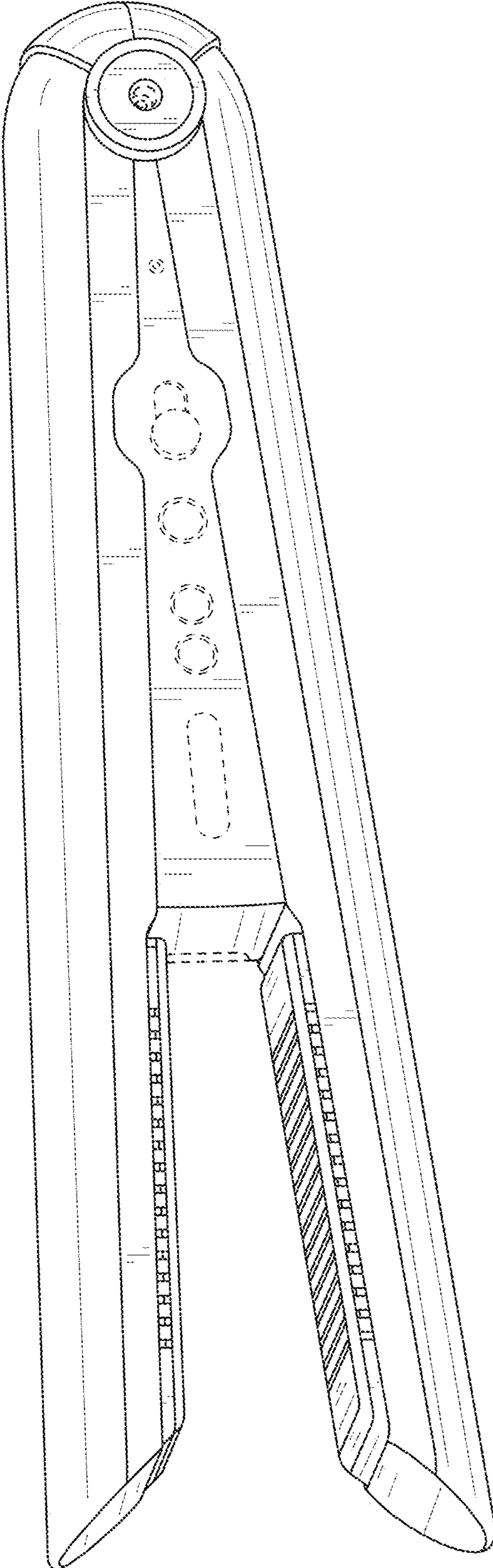


FIG. 1

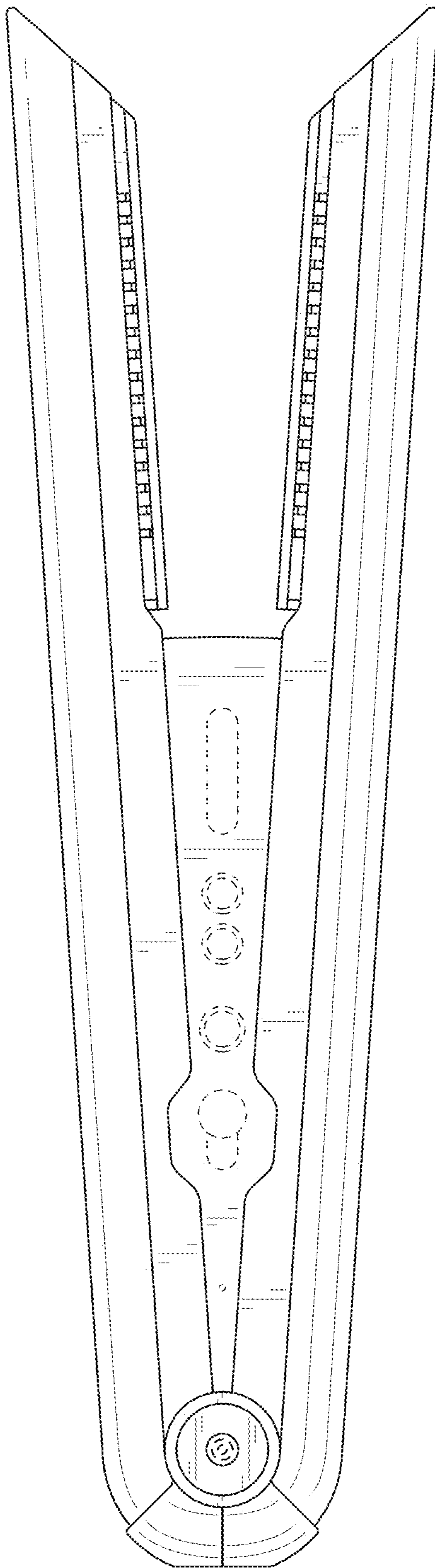


FIG. 2

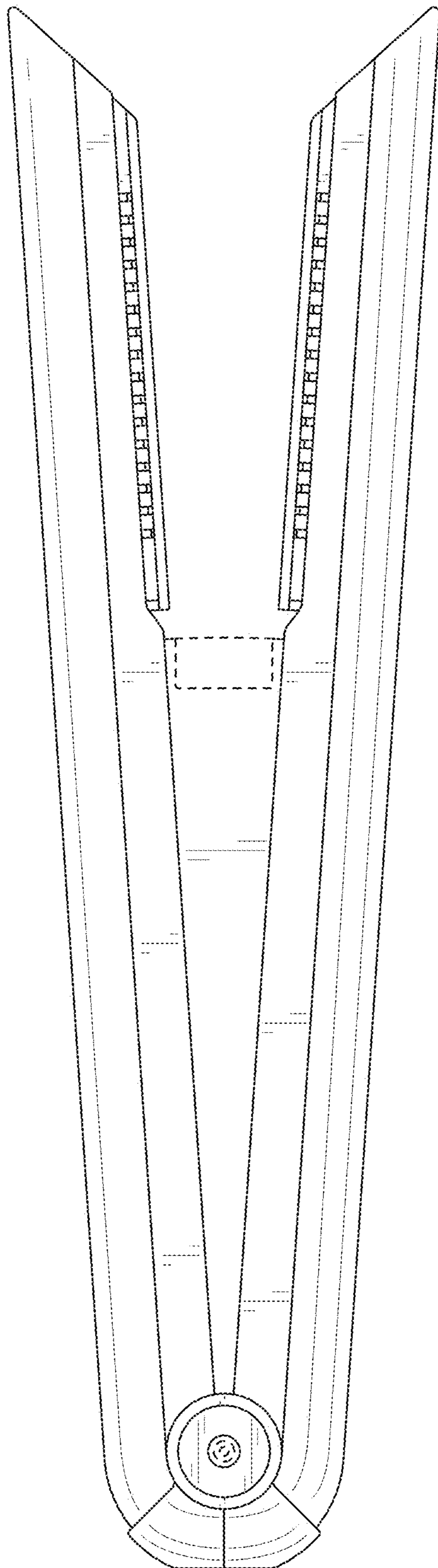


FIG. 3

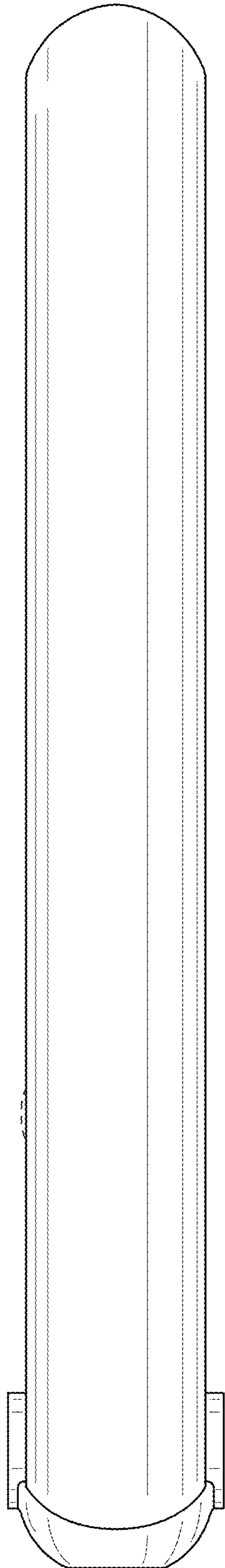


FIG. 4

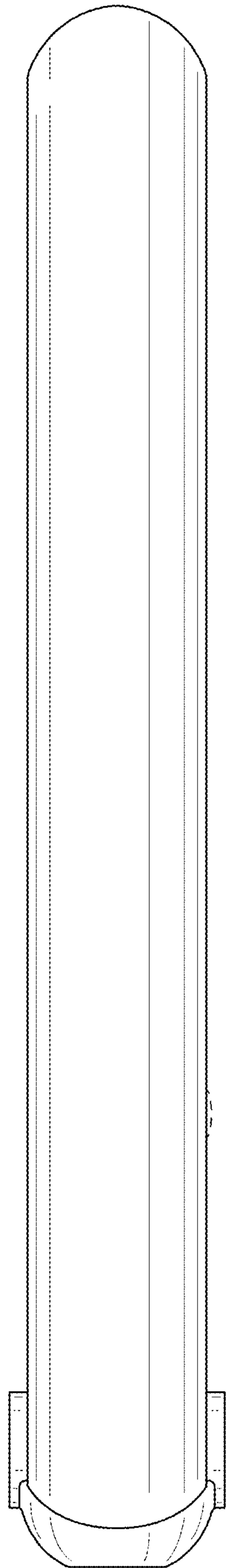


FIG. 5

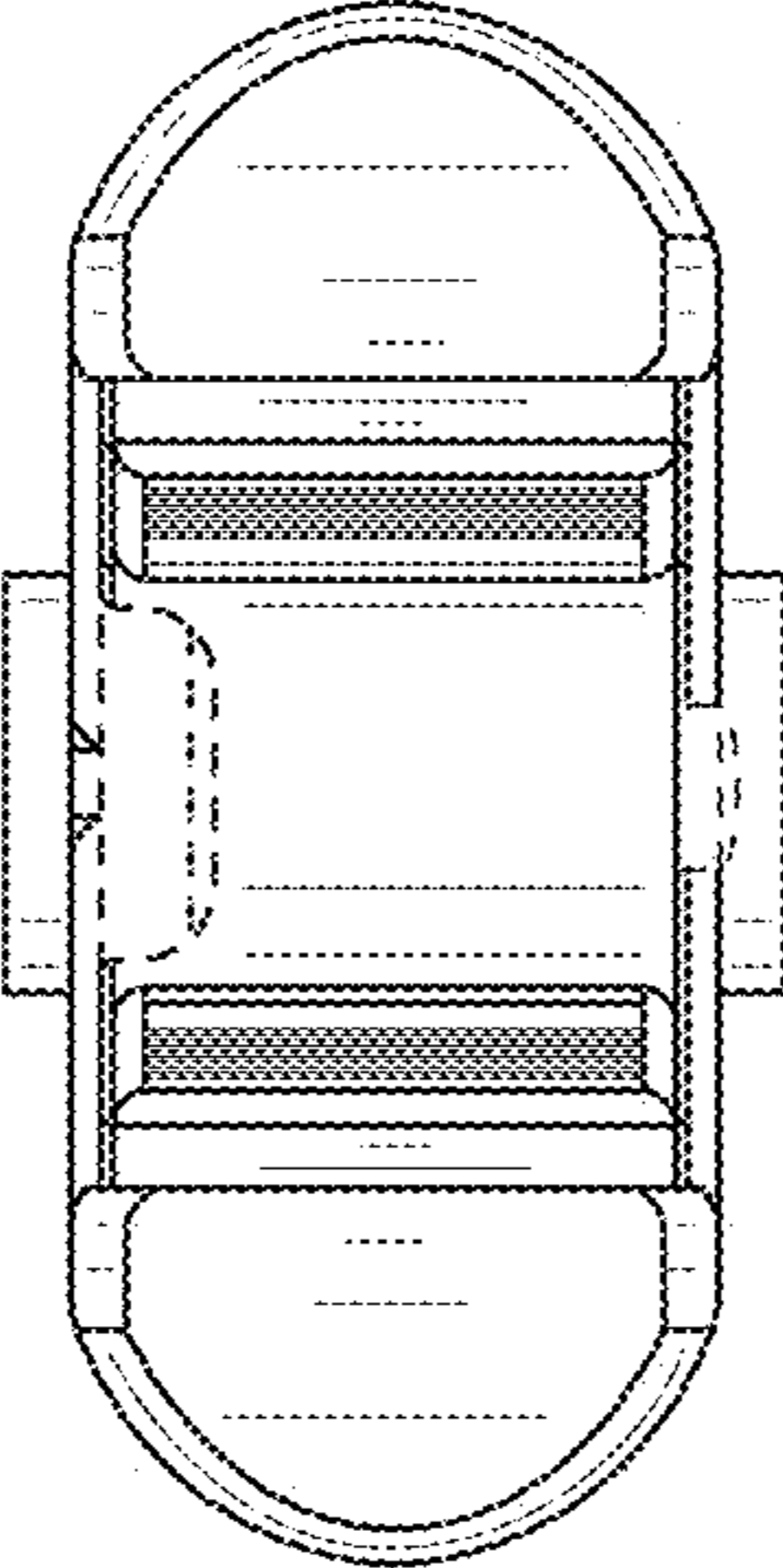


FIG. 6

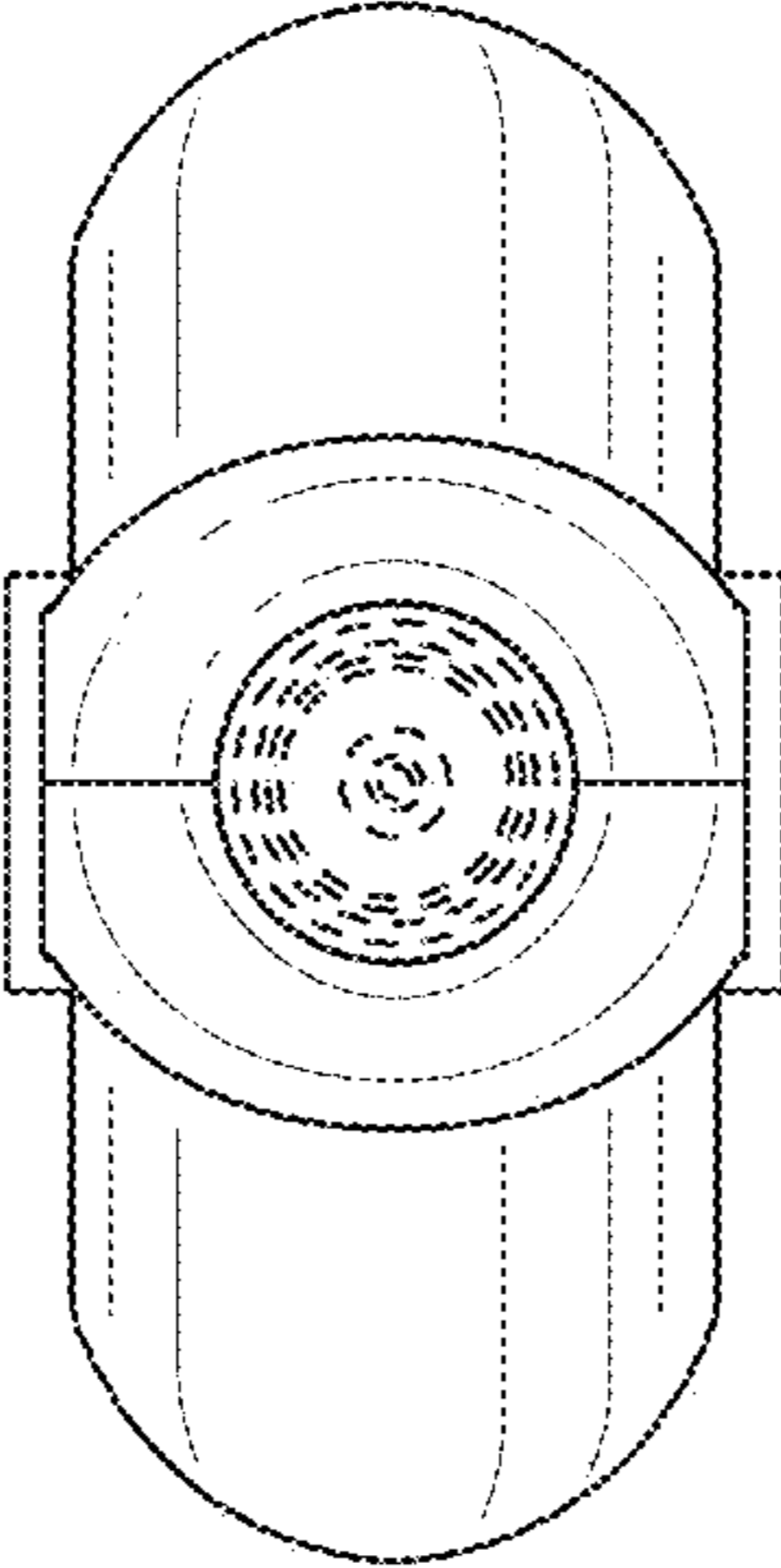


FIG. 7