



US00D919178S

(12) **United States Design Patent** (10) **Patent No.:** **US D919,178 S**
Knox et al. (45) **Date of Patent:** **** *May 11, 2021**

(54) **HAIR STRAIGHTENER**
(71) Applicant: **Dyson Technology Limited**, Wiltshire (GB)
(72) Inventors: **Alexander Stuart Knox**, Swindon (GB); **Stephen Benjamin Courtney**, Gloucester (GB); **Andrew Drummond Flynn**, Bristol (GB); **Richard David Nicolaou**, Swindon (GB); **Frederick Stuart Grotrian**, Swindon (GB); **Samuel James Czerpak**, Reading (GB); **Ian Dwight Sansom**, Bristol (GB); **Leanne Joyce Garner**, Bristol (GB)
(73) Assignee: **Dyson Technology Limited**, Malmesbury (GB)
(*) Notice: This patent is subject to a terminal disclaimer.
(**) Term: **15 Years**
(21) Appl. No.: **29/713,109**
(22) Filed: **Nov. 13, 2019**

D543,314 S 5/2007 Morgandi
D596,798 S * 7/2009 Keong D28/35
D606,254 S 12/2009 Leung
(Continued)

FOREIGN PATENT DOCUMENTS

CA 163619 S 12/2016
CN 302375301 S 3/2013
(Continued)

OTHER PUBLICATIONS

Dyson Corrale hair straightener [online], [site visited Oct. 21, 2020], Available from internet, URL:<<https://www.dyson.com/hair-care/dyson-corrale-straightener/dyson-corrale-straightener-black-nickel-fuchsia>> (Year: 2020).*

Primary Examiner — Cynthia Ramirez
Assistant Examiner — Xavier Marti-Santos
(74) *Attorney, Agent, or Firm* — Morrison & Foerster LLP

(30) **Foreign Application Priority Data**

May 14, 2019 (EM) 006453668-0001

(51) **LOC (13) Cl.** **28-03**

(52) **U.S. Cl.**
USPC **D28/35**

(58) **Field of Classification Search**
USPC D28/10, 35, 37, 38
CPC A45D 2/00; A45D 2001/045; A45D 1/16;
A45D 1/04; A45D 1/18; A45D 1/06-14;
A45D 2/02-10; A45D 2/38-42; A45D
2/001-002

See application file for complete search history.

(56) **References Cited**

U.S. PATENT DOCUMENTS

D511,023 S 10/2005 Cho
D541,472 S 4/2007 Kuchler et al.

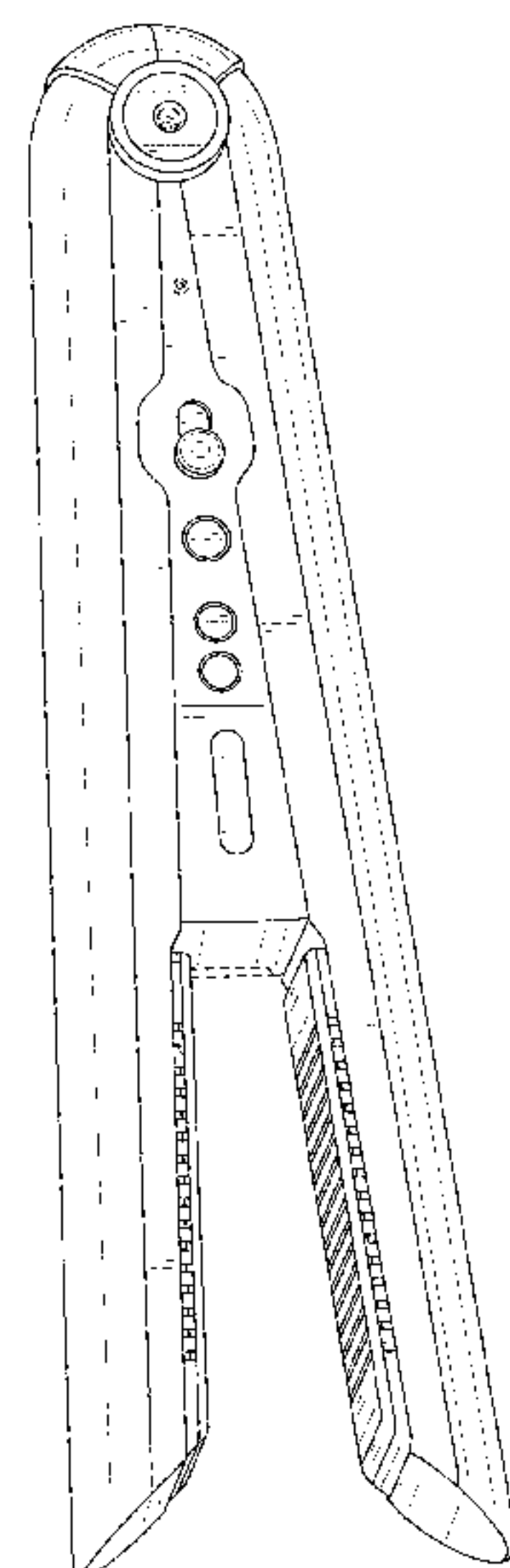
(57) **CLAIM**

We claim the ornamental design for a hair straightener, as shown and described.

DESCRIPTION

FIG. 1 is a front perspective view of a hair straightener showing our new design;
FIG. 2 is a side view thereof;
FIG. 3 is a side view of the opposite side of FIG. 2;
FIG. 4 is a top view thereof;
FIG. 5 is a bottom view thereof;
FIG. 6 is a front view thereof; and,
FIG. 7 is a rear view thereof.
The broken lines shown in the drawings illustrate portions of a hair straightener that form no part of the claimed design.

1 Claim, 6 Drawing Sheets



(56)

References Cited

U.S. PATENT DOCUMENTS

D618,395	S	6/2010	Mau	
D627,513	S	11/2010	Kim	
D627,515	S	11/2010	Kim	
D627,924	S	11/2010	Lee	
D632,429	S	2/2011	Kim	
D632,431	S	2/2011	Kim	
D641,927	S	7/2011	Kim	
D645,614	S	9/2011	Kim	
D651,741	S	1/2012	Kim	
D651,743	S	1/2012	Kim	
D672,088	S *	12/2012	Julemont D28/35
D672,089	S *	12/2012	Julemont D28/35
D682,467	S	5/2013	Kim	
D716,497	S	10/2014	Renault	
D729,450	S	5/2015	Van Maanen	
D758,013	S *	5/2016	Bermudez D28/35
D769,523	S	10/2016	Fan	
D808,588	S *	1/2018	Kim D28/35
2016/0255936	A1 *	9/2016	deGrood A45D 1/04

FOREIGN PATENT DOCUMENTS

CN	302386198	S	4/2013
CN	303014047	S	11/2014
CN	304049509	S	2/2017
CN	304060187	S	2/2017
CN	305747595	*	11/2019
EM	006453668-0002	*	5/2019
EM	006453668-0003	*	5/2019
IN	323005-001-0001	*	10/2019
KR	3010699620003	*	11/2019

* cited by examiner

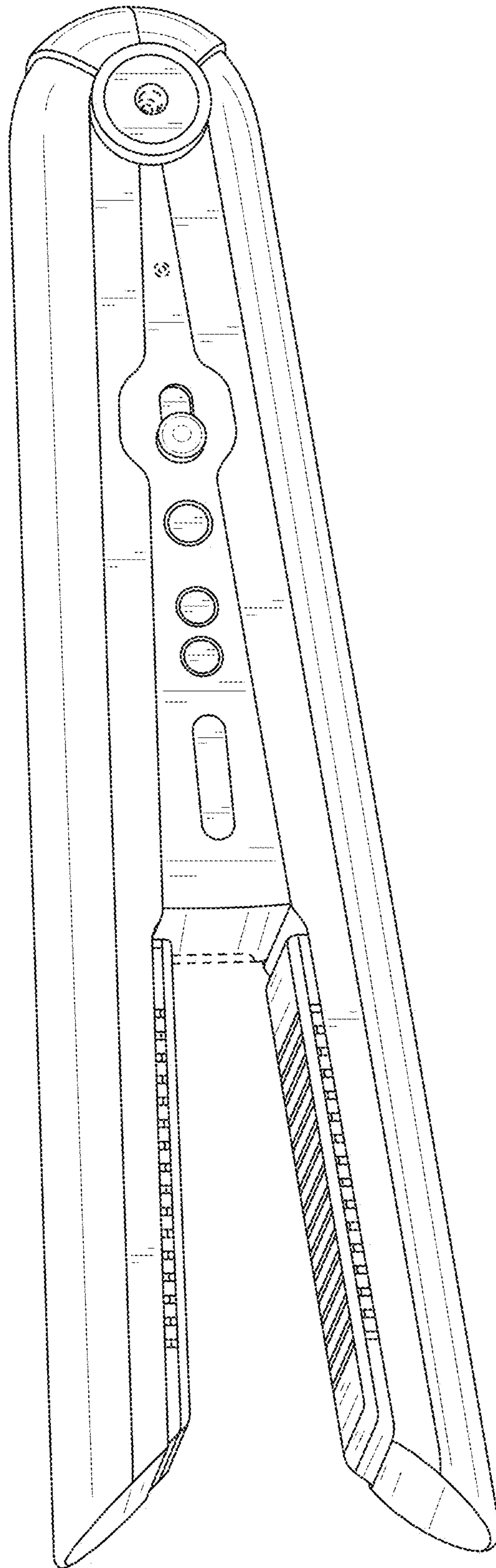


FIG. 1

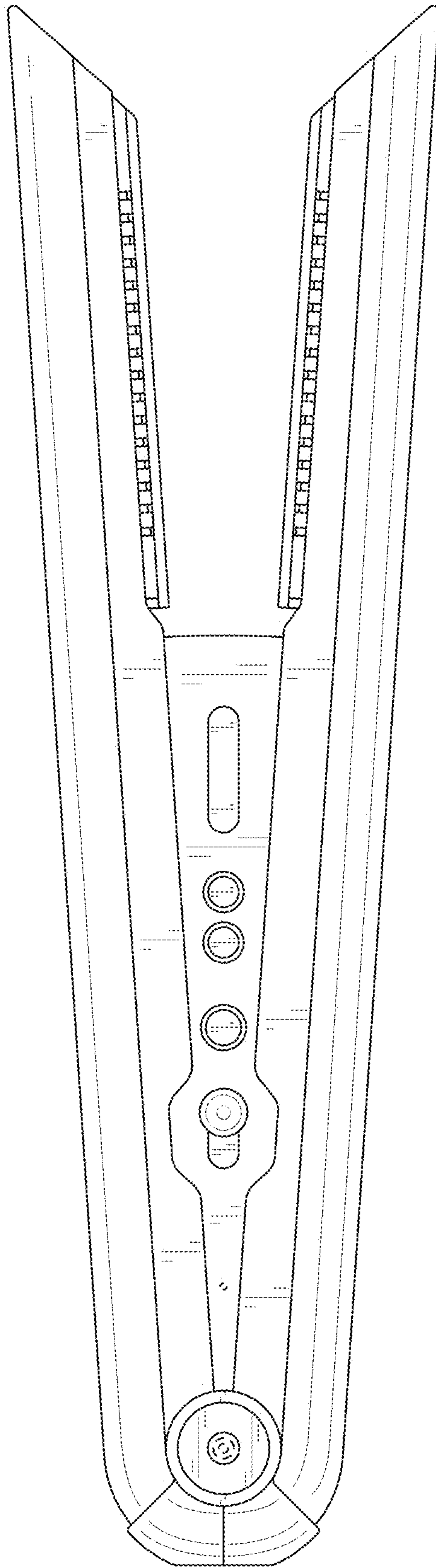


FIG. 2

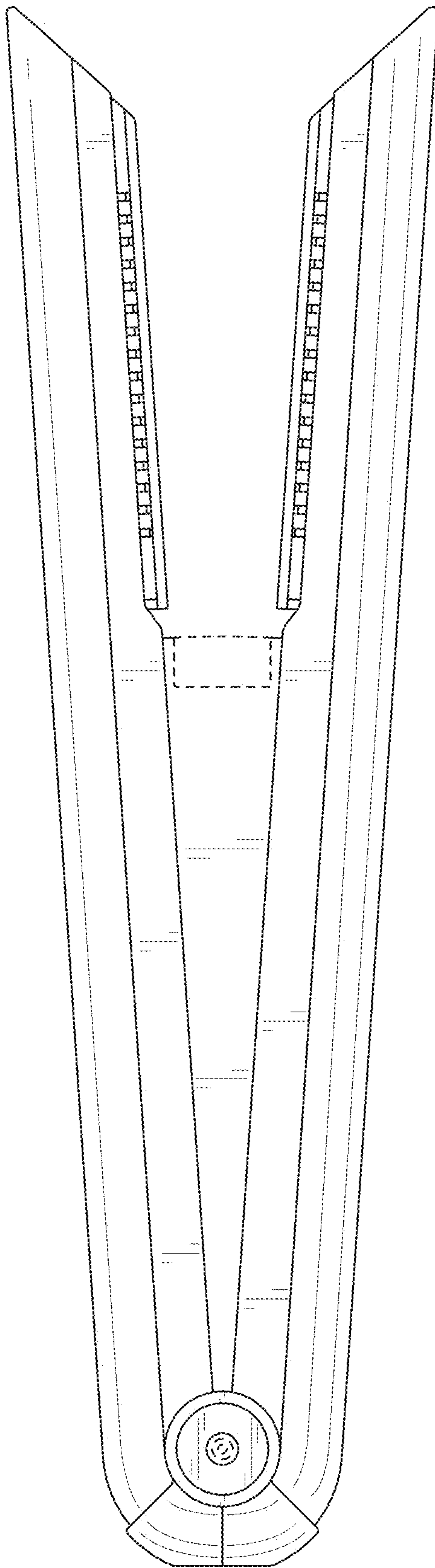


FIG. 3

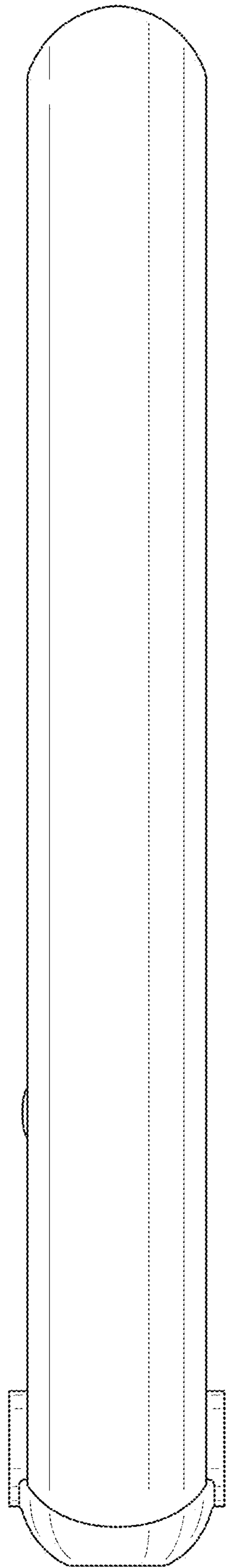


FIG. 4

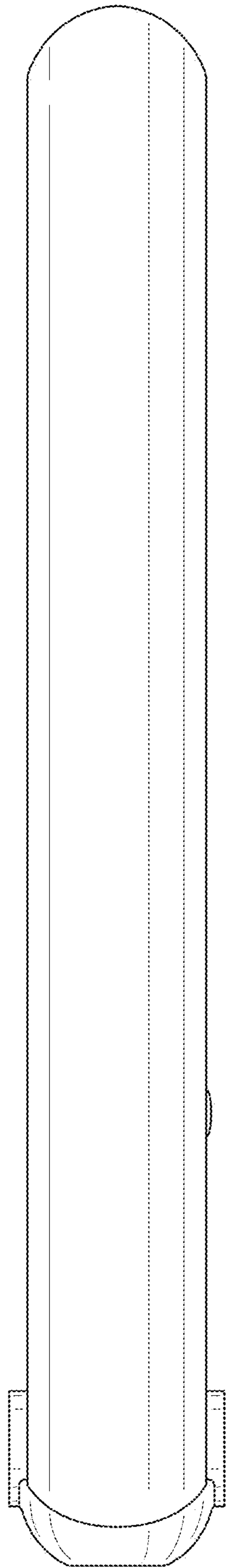


FIG. 5

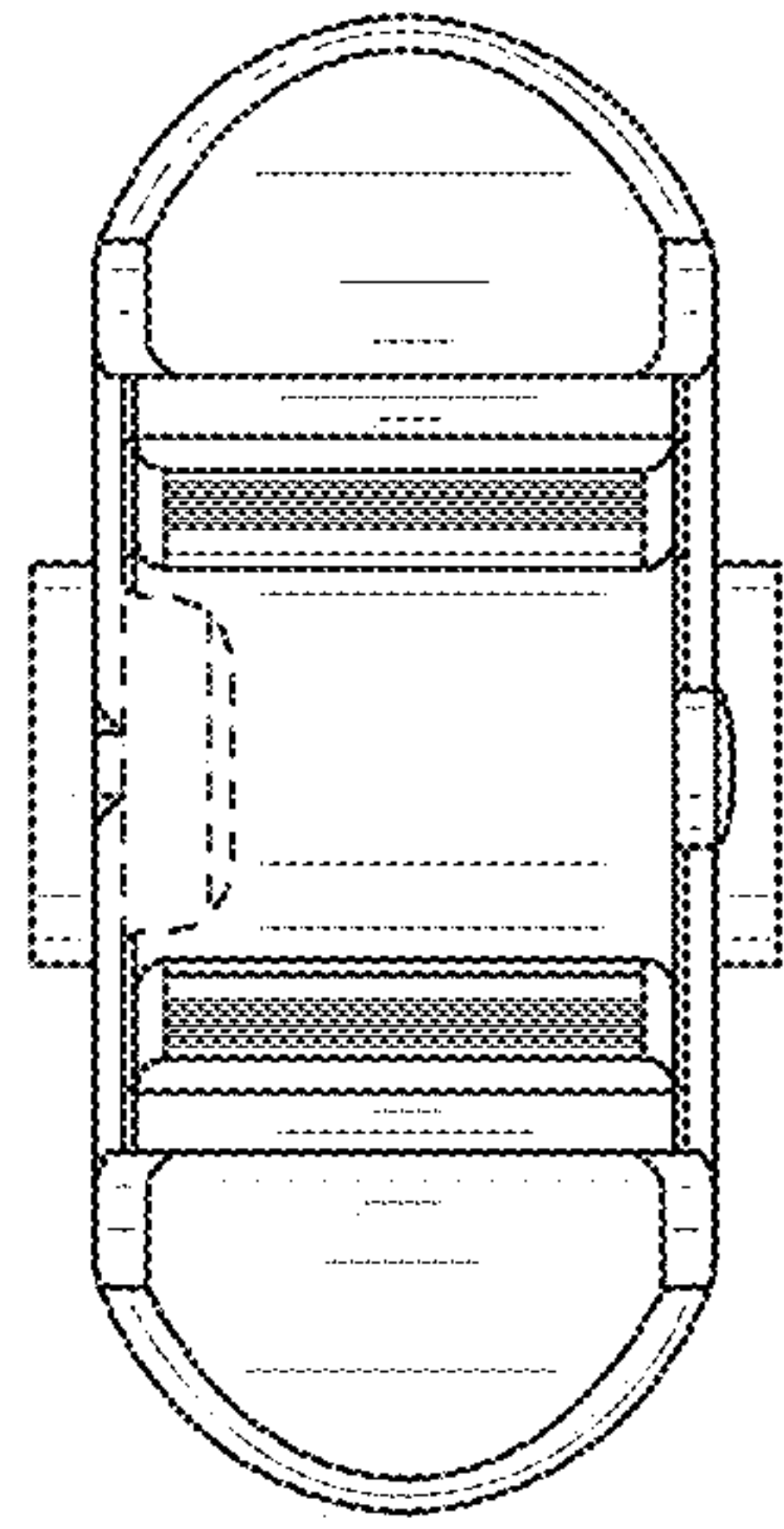


FIG. 6

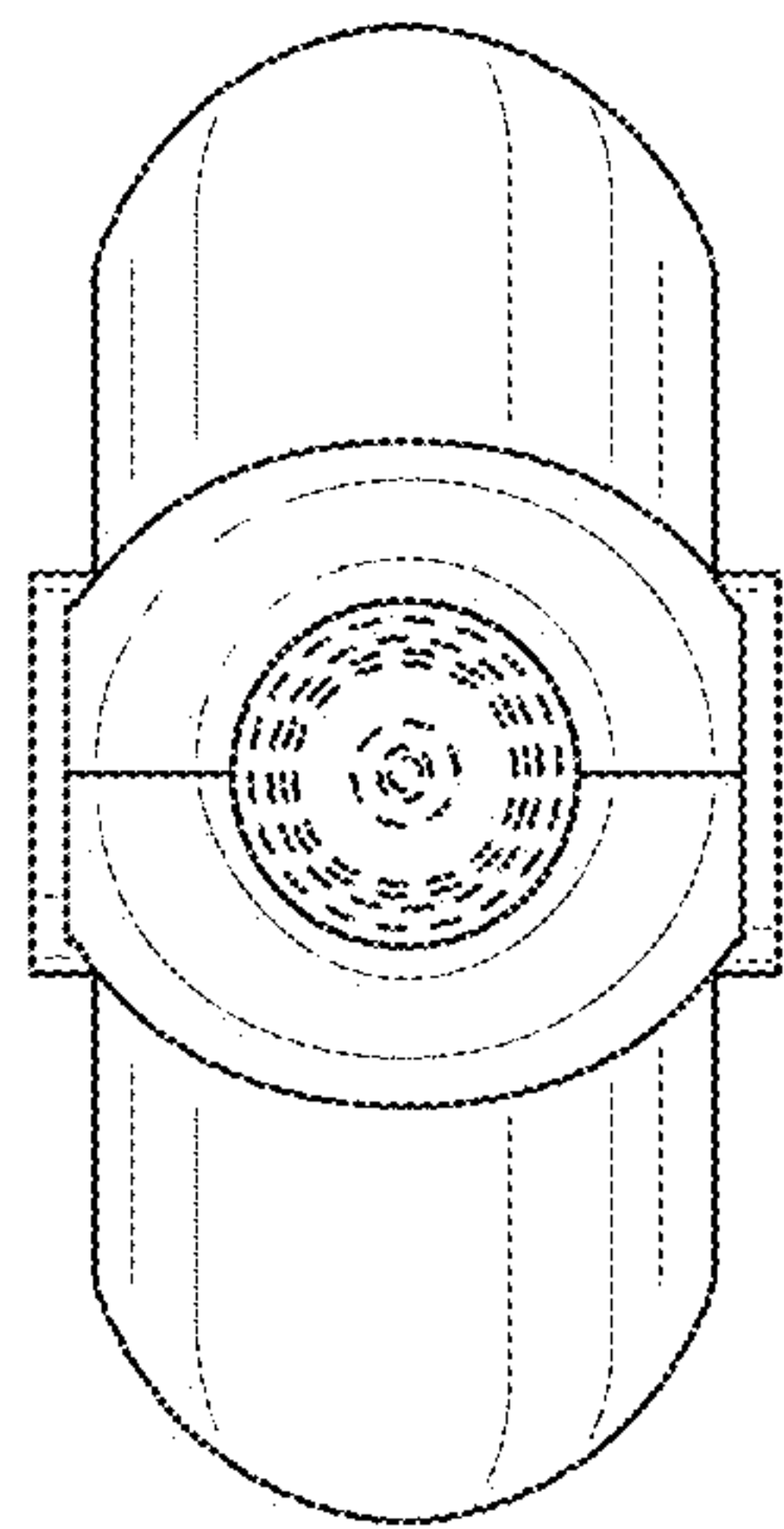


FIG. 7