



US00D919177S

(12) **United States Design Patent** (10) **Patent No.:** **US D919,177 S**
Huang (45) **Date of Patent:** **** May 11, 2021**

(54) **HAIR WAVE CURLER**
(71) Applicant: **Dongguan Empress Technology Co., Ltd.**, Dongguan (CN)
(72) Inventor: **Hali Huang**, Hanchuan (CN)
(73) Assignee: **Dongguan Empress Technology Co., Ltd.**
(**) Term: **15 Years**
(21) Appl. No.: **29/707,567**
(22) Filed: **Sep. 30, 2019**
(51) **LOC (13) Cl.** **28-03**
(52) **U.S. Cl.**
USPC **D28/35**
(58) **Field of Classification Search**
USPC D28/10, 35, 37, 38
CPC A45D 2/00; A45D 2/001; A45D 2/002;
A45D 2/02; A45D 2/04; A45D 2/06;
A45D 2/08; A45D 2/10; A45D 2/12-22;
A45D 2/24-34; A45D 2/36-367; A45D
1/00; A45D 1/04
See application file for complete search history.

(56) **References Cited**
U.S. PATENT DOCUMENTS
D596,795 S * 7/2009 Keong D28/35
D632,430 S * 2/2011 Kim D28/35
D650,941 S * 12/2011 Sidebotham D28/35
D672,089 S * 12/2012 Julemont D28/35
D798,503 S * 9/2017 Ceva D28/35
D825,848 S * 8/2018 Brady D28/35
D870,967 S * 12/2019 Huang D28/35
D876,013 S * 2/2020 Jin D28/35
D876,721 S * 2/2020 Lin D28/35
D886,373 S * 6/2020 Chen D28/35
D893,098 S * 8/2020 Feng D28/35
2007/0209673 A1 * 9/2007 Choi A45D 1/06
132/224

2014/0166038 A1 * 6/2014 Leung A45D 1/04
132/221
2014/0353301 A1 * 12/2014 Rizzuto A45D 1/04
219/225
2015/0313339 A1 * 11/2015 Moore A45D 20/08
132/224
2016/0286928 A1 * 10/2016 Weatherly A45D 1/04
2017/0231350 A1 * 8/2017 Moore A45D 2/40
132/224
2017/0360174 A1 * 12/2017 Moore H05B 6/54
2018/0070695 A1 * 3/2018 Feng A45D 1/08
(Continued)

OTHER PUBLICATIONS

BESTOPE Hair Waver Curling Iron, reviewed on Jul. 25, 2020 on amazon.com, retrieved on Nov. 12, 2020, retrieved from the Internet URL: https://www.amazon.com/BESTOPE-Curling-Crimper-Control-Professional/dp/B08BFPGXML/ref=sr_1_2?dchild=1&keywords=jade%2Bempress%2Bhair%2Bwaver&qid=1605194683&sr=8-2&th=1.*
(Continued)

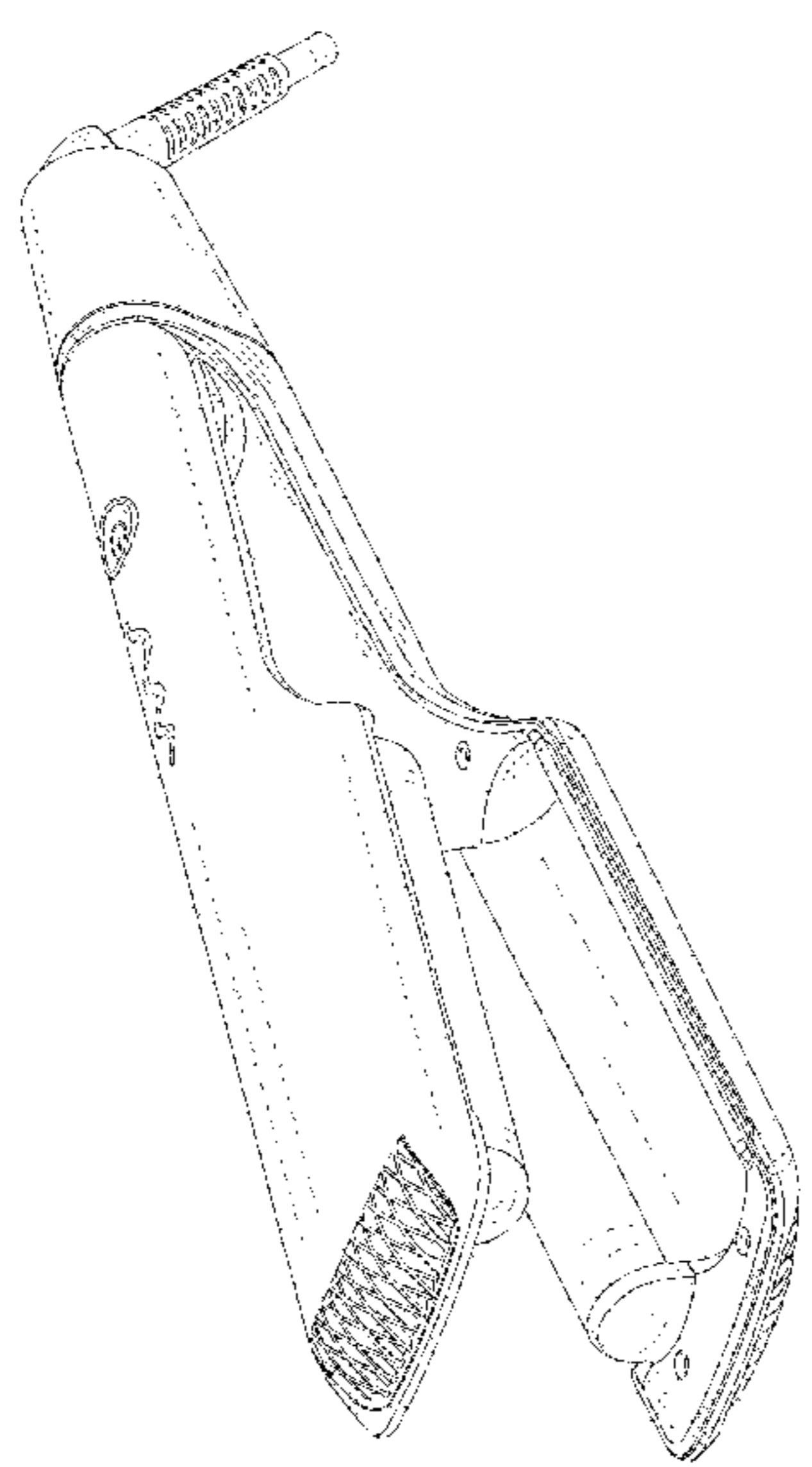
Primary Examiner — Catherine S Posthauer
Assistant Examiner — Alison M Ofstun

(57) **CLAIM**
The ornamental design for a hair wave curler, as shown and described.

DESCRIPTION

FIG. 1 is a front view of a hair wave curler, showing my new design;
FIG. 2 is a back view thereof;
FIG. 3 is a left side view thereof;
FIG. 4 is a right side view thereof;
FIG. 5 is a top view thereof;
FIG. 6 is a bottom view thereof;
FIG. 7 is a perspective view thereof; and,
FIG. 8 is another perspective view thereof, shown in a position of use.

1 Claim, 8 Drawing Sheets



(56)

References Cited

U.S. PATENT DOCUMENTS

2020/0008549 A1* 1/2020 Barber A45D 7/02

OTHER PUBLICATIONS

VODANA Professional Triple Flow Ceramic Hair Waver, reviewed on Nov. 9, 2020, retrieved on Nov. 12, 2020, retrieved from the Internet URL: https://www.amazon.com/Professional-Ceramic-Crimping-Voltage-Crimper/dp/B083S2RGYY/ref=asc_df_B083S2RGYY/?tag=&linkCode=df0&hvadid=417001322324&hvpos=&hvnetw=g&hvrand=42667269802358.*

* cited by examiner

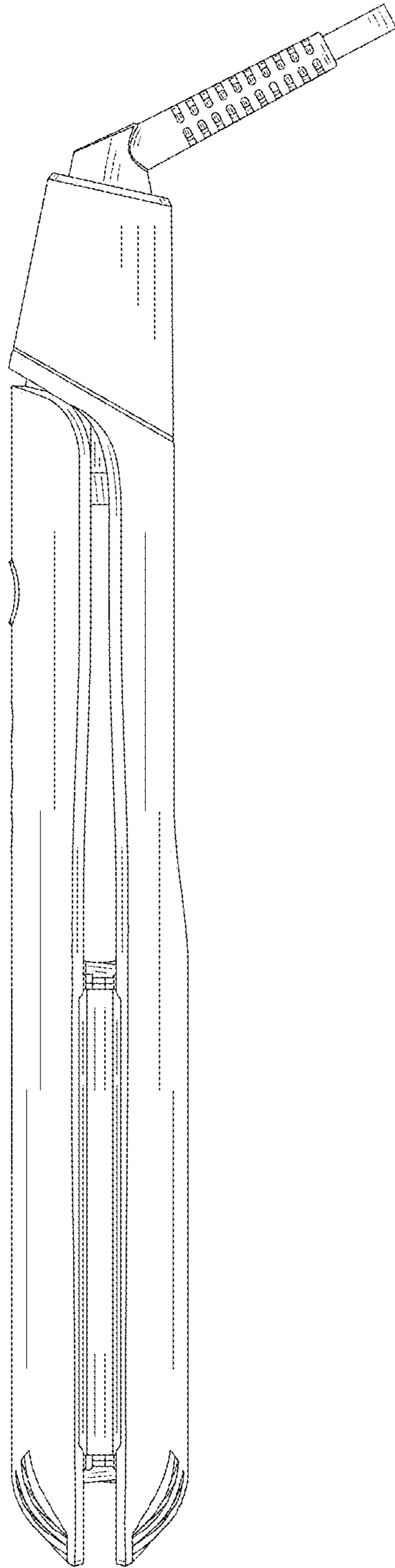


FIG. 1

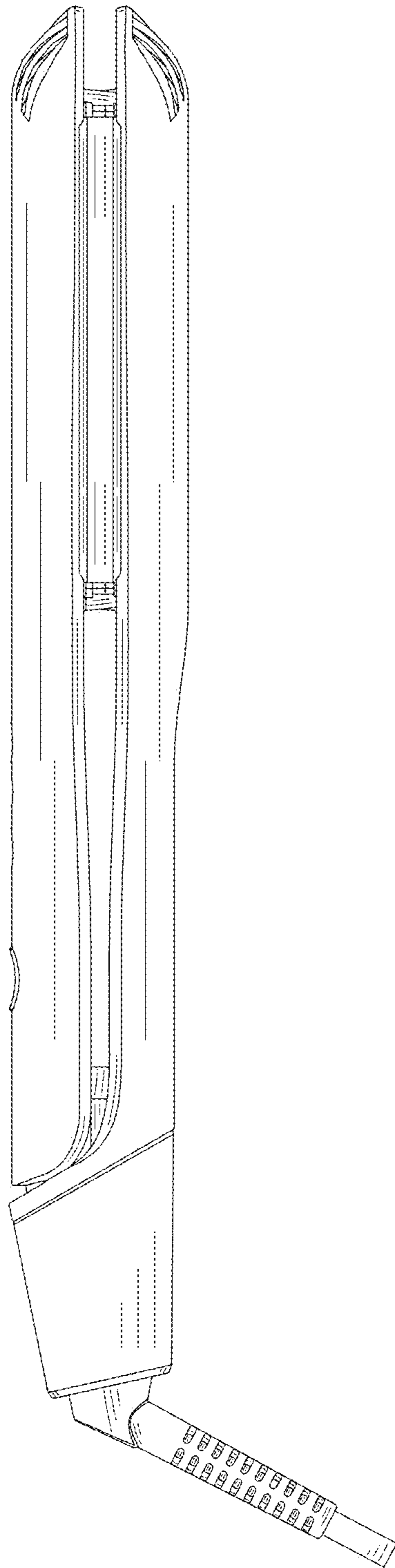


FIG. 2

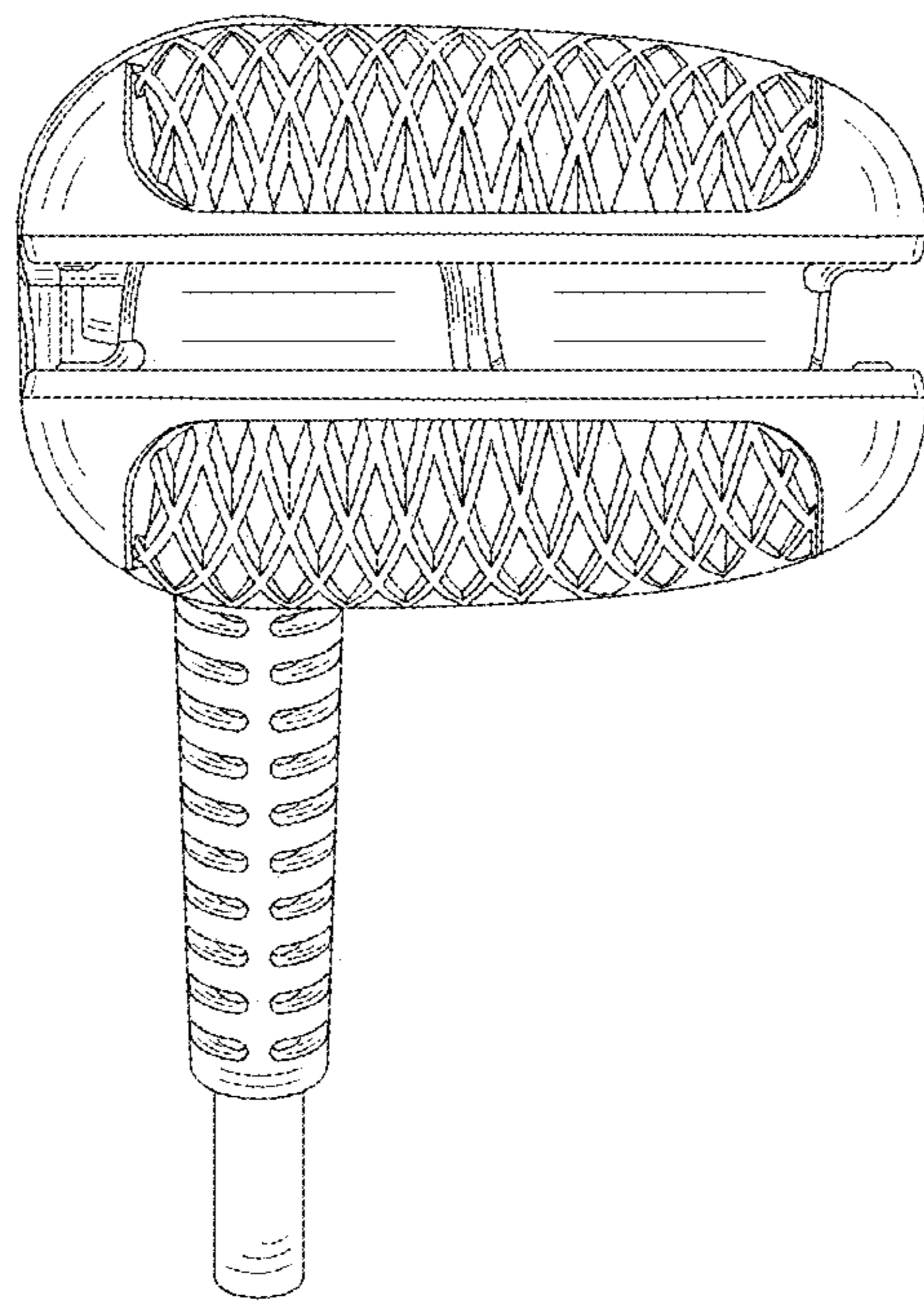


FIG. 3

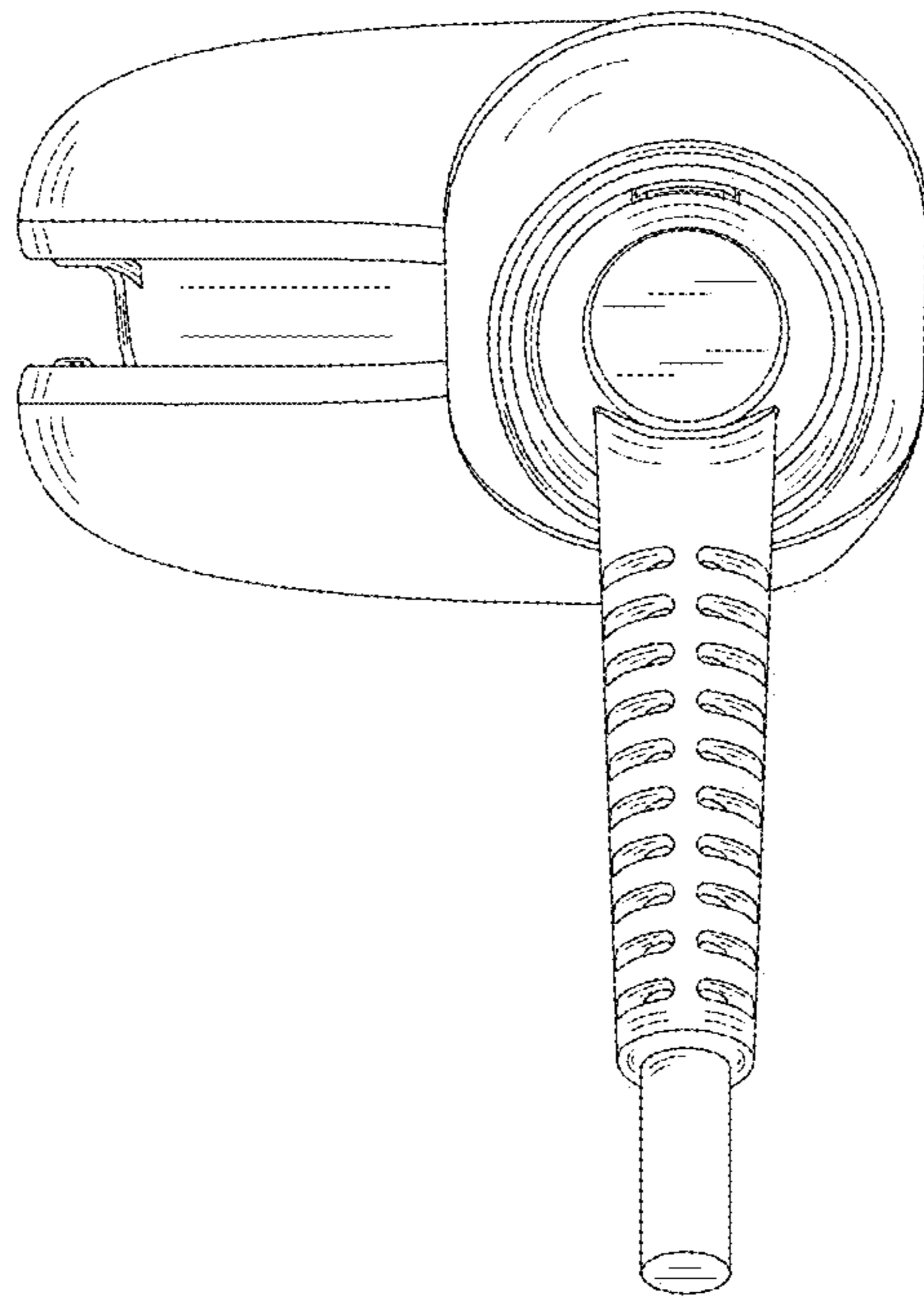


FIG. 4

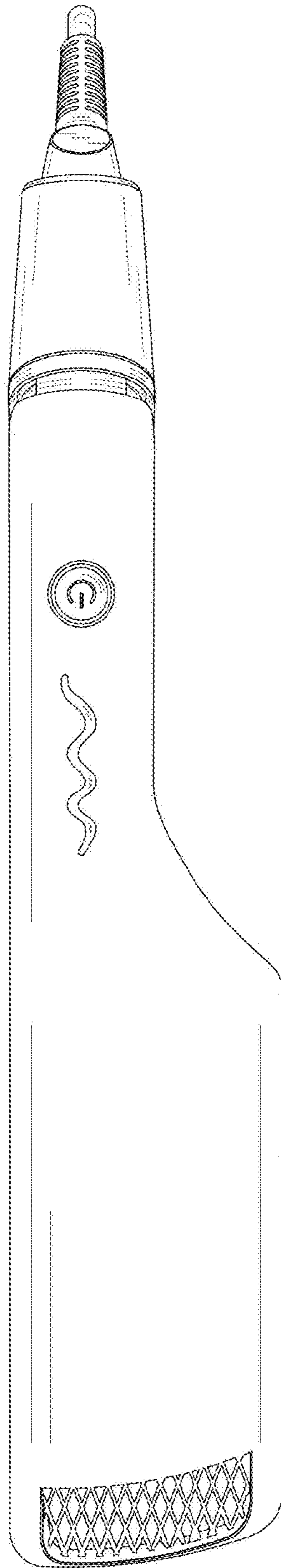


FIG. 5

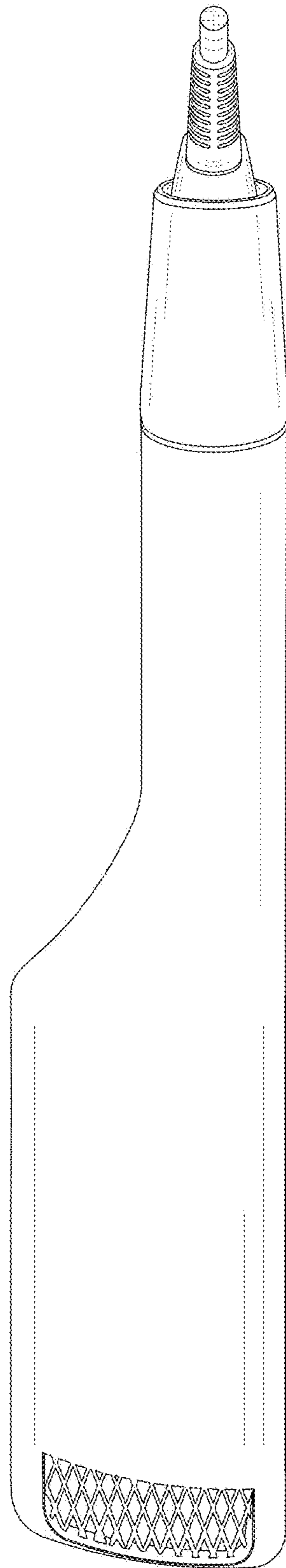


FIG. 6

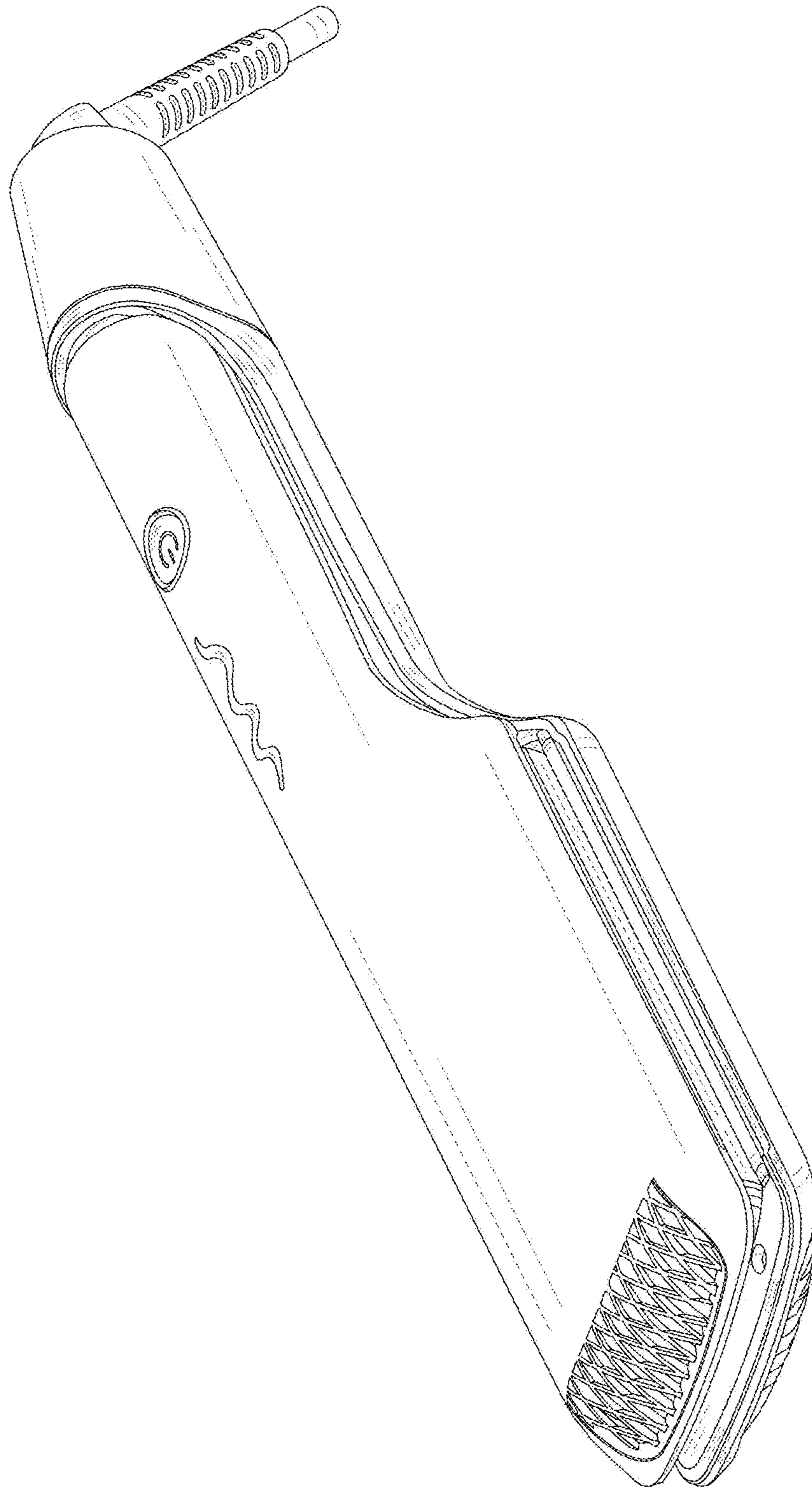


FIG. 7

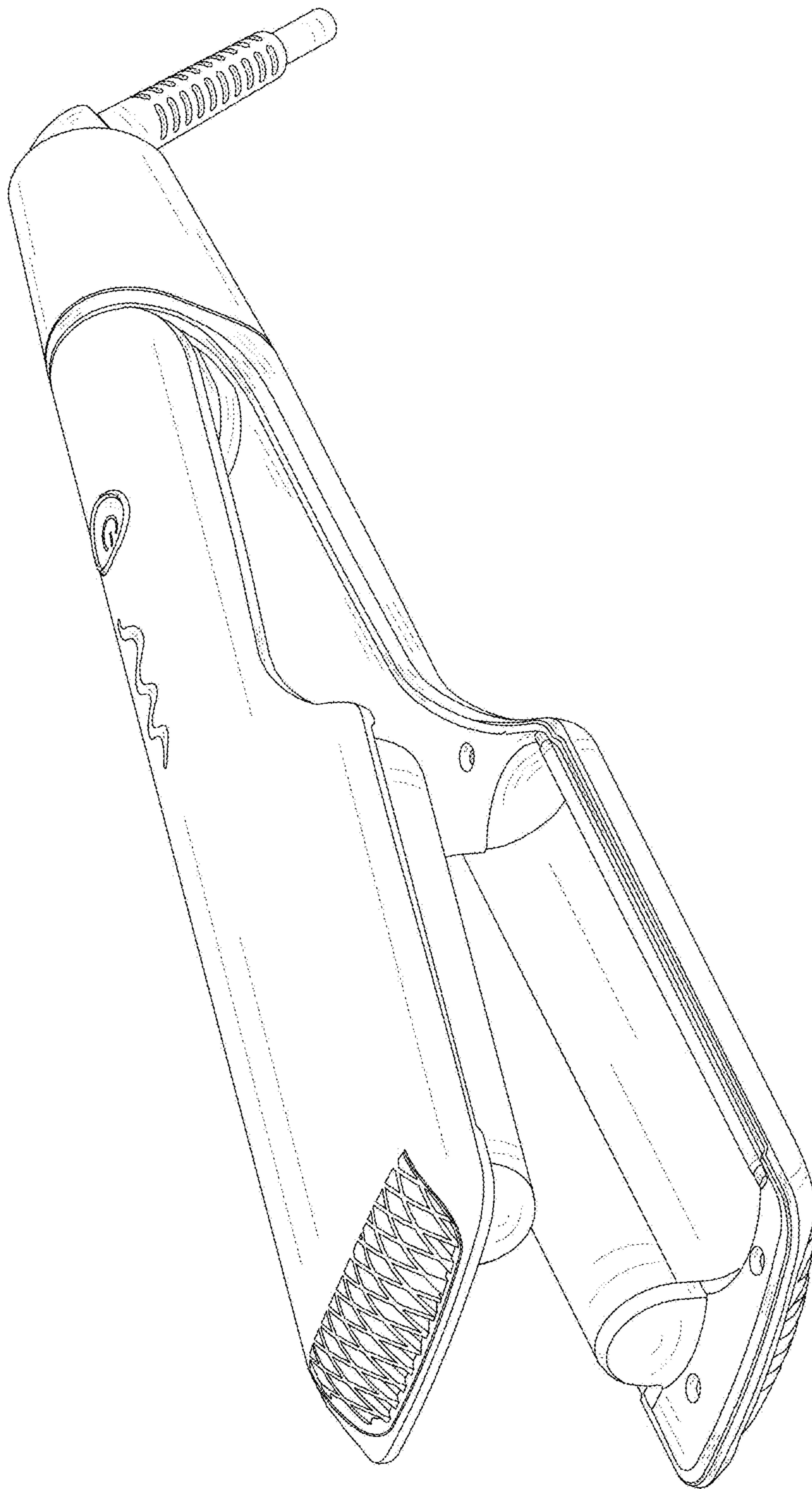


FIG. 8