



US00D919171S

(12) **United States Design Patent** (10) **Patent No.:** **US D919,171 S**
Chen et al. (45) **Date of Patent:** **** May 11, 2021**

(54) **ELECTRICAL TOBACCO HEATING DEVICE**

(71) Applicant: **Hubei China Tobacco Industry Co., Ltd.**, Hubei (CN)

(72) Inventors: **Yikun Chen**, Hubei (CN); **Huachen Liu**, Hubei (CN); **Dan Li**, Hubei (CN)

(**) Term: **15 Years**

(21) Appl. No.: **29/674,184**

(22) Filed: **Dec. 20, 2018**

(30) **Foreign Application Priority Data**

Jun. 20, 2018 (CN) 201830316622.4

(51) **LOC (13) Cl.** **27-02**

(52) **U.S. Cl.**
USPC **D27/162**

(58) **Field of Classification Search**
USPC D27/141, 100, 101, 162, 172, 183,
D27/185-194
CPC A24F 9/00; A24F 47/002; A24F 25/00;
A24B 9/00
See application file for complete search history.

(56) **References Cited**

U.S. PATENT DOCUMENTS

D720,499 S * 12/2014 Alima D27/167
D799,110 S * 10/2017 Qiu D27/101

D805,248 S * 12/2017 Chen D27/170
D806,942 S * 1/2018 Qiu D27/101
D813,447 S * 3/2018 Watson D27/162
D863,670 S * 10/2019 He D27/162
D876,719 S * 2/2020 Vermette D27/162
D883,566 S * 5/2020 Filleul D27/162
D899,677 S * 10/2020 Liu D27/162

* cited by examiner

Primary Examiner — Marissa J Cash

Assistant Examiner — Rebecca Tsehaye

(74) *Attorney, Agent, or Firm* — Prakash Nama; Global IP Services, PLLC

(57) **CLAIM**

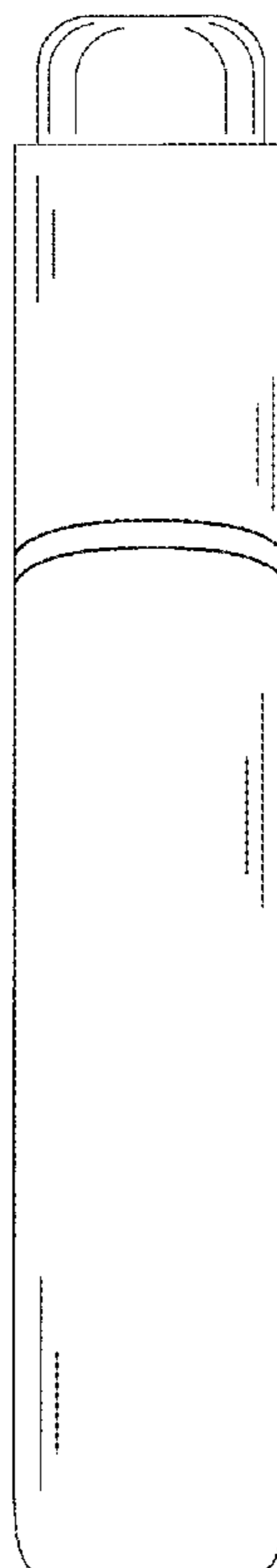
The ornamental design for an electrical tobacco heating device, as shown and described.

DESCRIPTION

FIG. 1 is a front elevational view of an electrical tobacco heating device showing our new design; FIG. 2 is a rear elevational view thereof; FIG. 3 is a left side view thereof; FIG. 4 is a right side view thereof; FIG. 5 is a top plan view thereof; FIG. 6 is a bottom plan view thereof; and, FIG. 7 is a perspective view thereof.

The broken lines in the drawings depict portions of the electrical tobacco heating device that form no part of the claimed design.

1 Claim, 6 Drawing Sheets



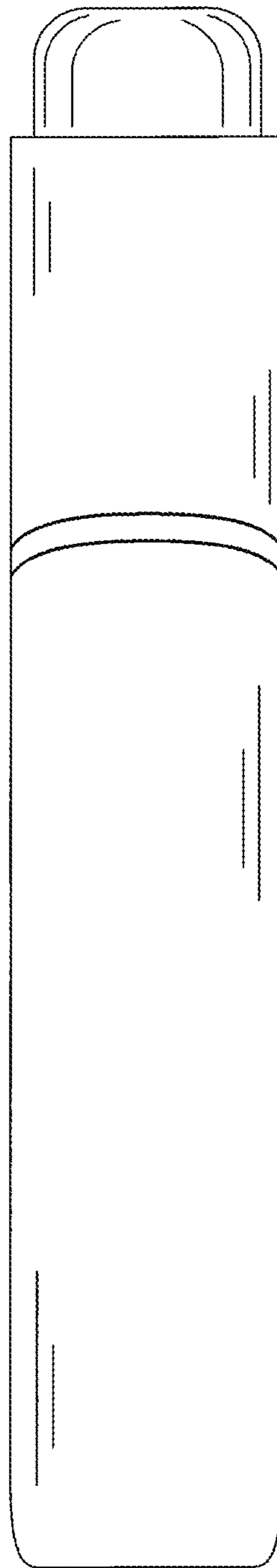


FIG. 1

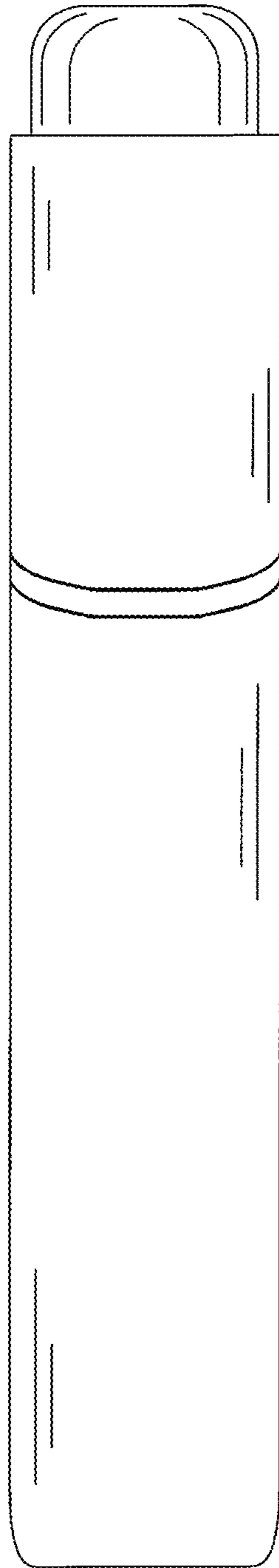


FIG. 2

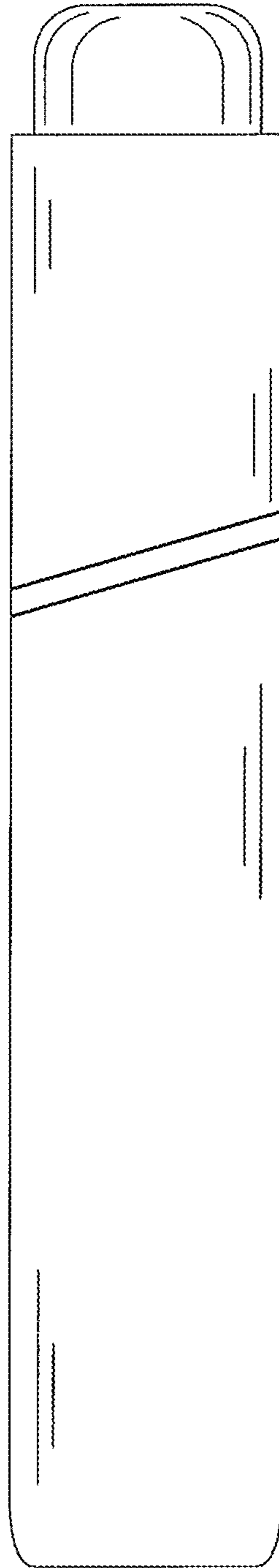


FIG. 3

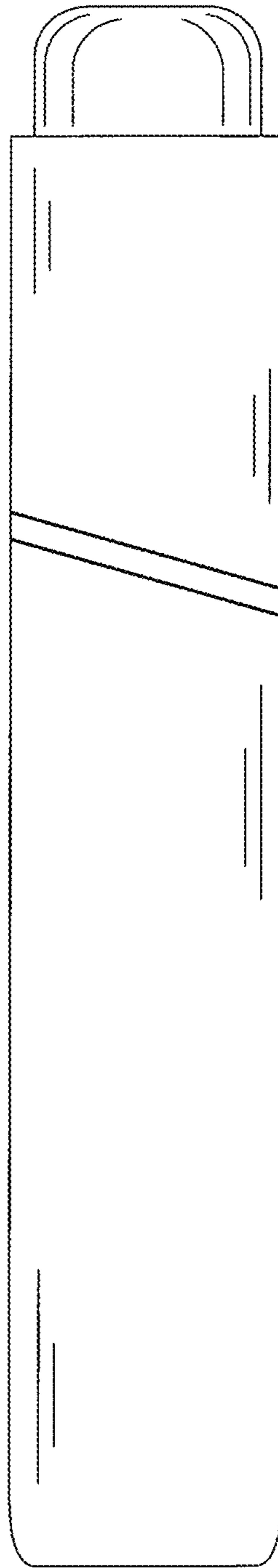


FIG. 4

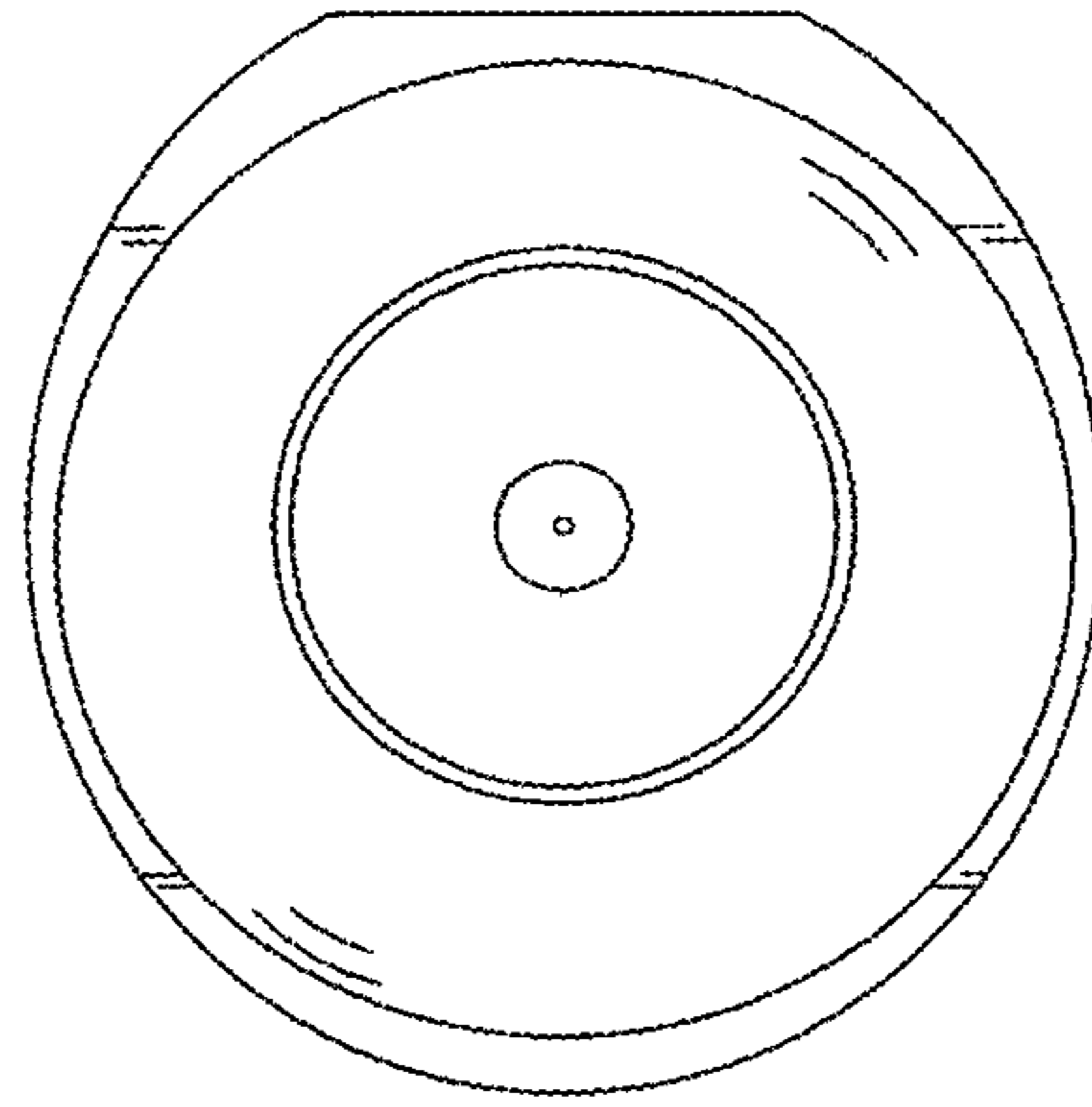


FIG. 5

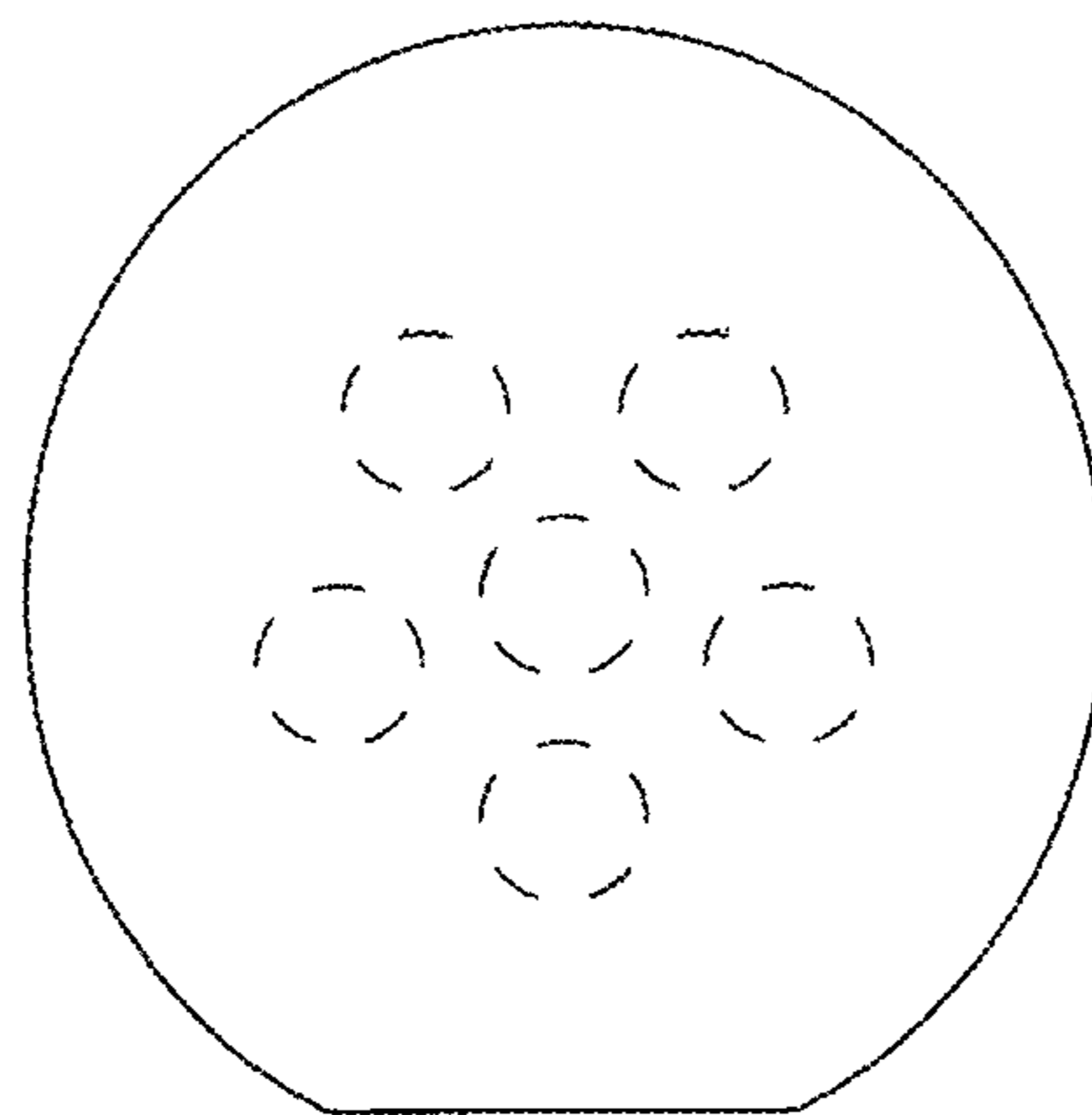


FIG. 6

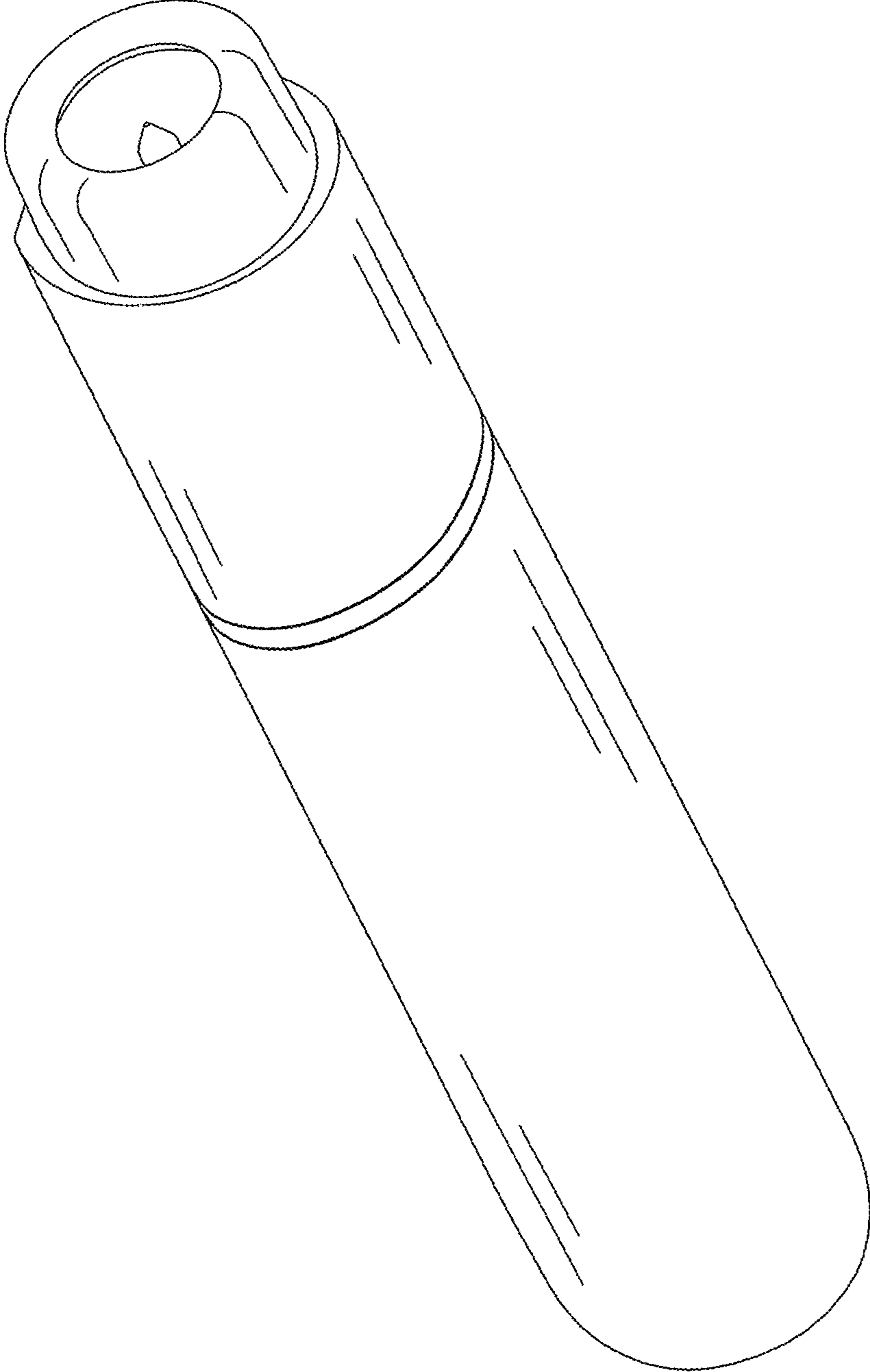


FIG. 7