

US00D919169S

(12) **United States Design Patent** (10) **Patent No.:** **US D919,169 S**  
**Diekfuss et al.** (45) **Date of Patent:** **\*\* May 11, 2021**

(54) **MAST ARM CONNECTOR**  
(71) Applicant: **P4 Infrastructure, Inc.**, Milwaukee, WI (US)  
(72) Inventors: **Joseph A. Diekfuss**, Waukesha, WI (US); **Christopher M. Foley**, Milwaukee, WI (US)  
(73) Assignee: **P4 Infrastructure, Inc.**, Milwaukee, WI (US)

D555,825 S \* 11/2007 Lecluze ..... D26/138  
D604,454 S \* 11/2009 Majidi ..... D26/142  
D604,896 S \* 11/2009 Chen ..... D26/142  
D689,218 S \* 9/2013 Maxik ..... D26/2  
D739,569 S \* 9/2015 Shum ..... D26/2  
D739,570 S \* 9/2015 Shum ..... D26/2  
D764,097 S \* 8/2016 Hamel ..... D26/128  
D811,001 S \* 2/2018 Fitzwater, II ..... D26/142  
10,240,764 B2 \* 3/2019 Morales ..... F21S 8/026  
10,247,371 B2 \* 4/2019 Feldman ..... F21V 17/162  
D880,763 S \* 4/2020 McNamara ..... D26/138  
2008/0112170 A1 \* 5/2008 Trott ..... F21V 29/74  
362/311.06

(\*\*) Term: **15 Years**

\* cited by examiner

(21) Appl. No.: **29/666,016**

*Primary Examiner* — Michael C Stout

(22) Filed: **Oct. 9, 2018**

*Assistant Examiner* — Benjamin M Weeks

(51) **LOC (13) Cl.** ..... **26-05**

(74) *Attorney, Agent, or Firm* — Reinhart Boerner Van Deuren s.c.

(52) **U.S. Cl.**  
USPC ..... **D26/142**

(57) **CLAIM**

(58) **Field of Classification Search**  
USPC ..... D26/2, 28, 72, 89, 113, 118, 119, 120, D26/122, 142

We claim the ornamental design for mast arm connector, as shown and described.

CPC ..... F41C 27/00; F41C 33/0254; G02B 5/045; G02B 5/189; F21S 8/00; F21S 8/03; F21S 8/026; F21S 8/02; F21S 8/003; F21S 8/043; F21S 8/06; F21S 8/04; F21V 7/005; F21V 15/01; F21V 15/04; F21V 25/00; G02F 2001/133607; F21Y 2103/00  
See application file for complete search history.

**DESCRIPTION**

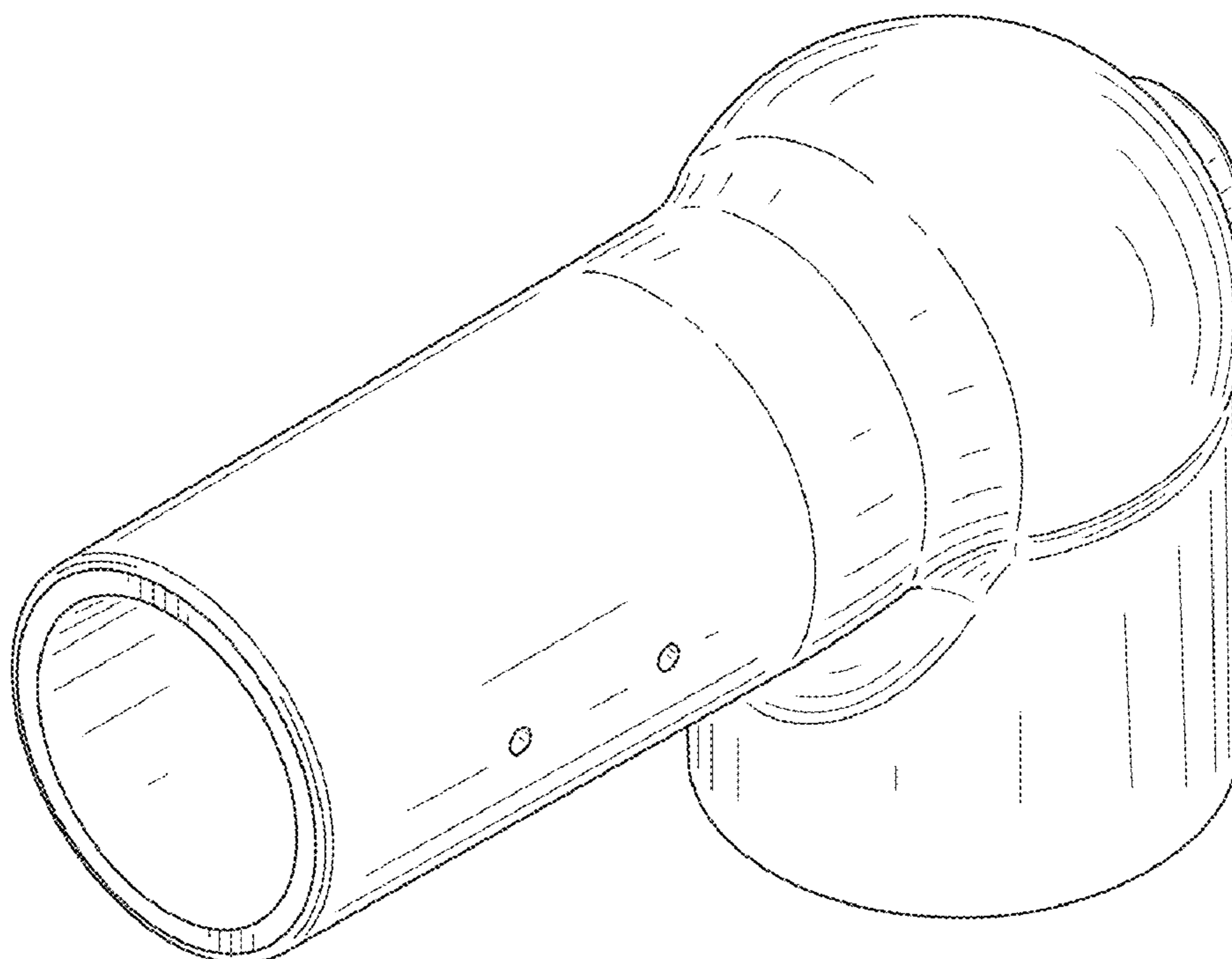
FIG. 1 is a prospective view of a mast arm connector;  
FIG. 2 is another perspective view thereof;  
FIG. 3 is a top view thereof;  
FIG. 4 is a bottom view thereof;  
FIG. 5 is a front view thereof;  
FIG. 6 is a rear view thereof;  
FIG. 7 is a side view thereof; and,  
FIG. 8 is another side view thereof depicting the side opposite the side shown in FIG. 7.

(56) **References Cited**

U.S. PATENT DOCUMENTS

D548,389 S \* 8/2007 Lecluze ..... D26/138  
D548,390 S \* 8/2007 Lecluze ..... D26/138

**1 Claim, 8 Drawing Sheets**



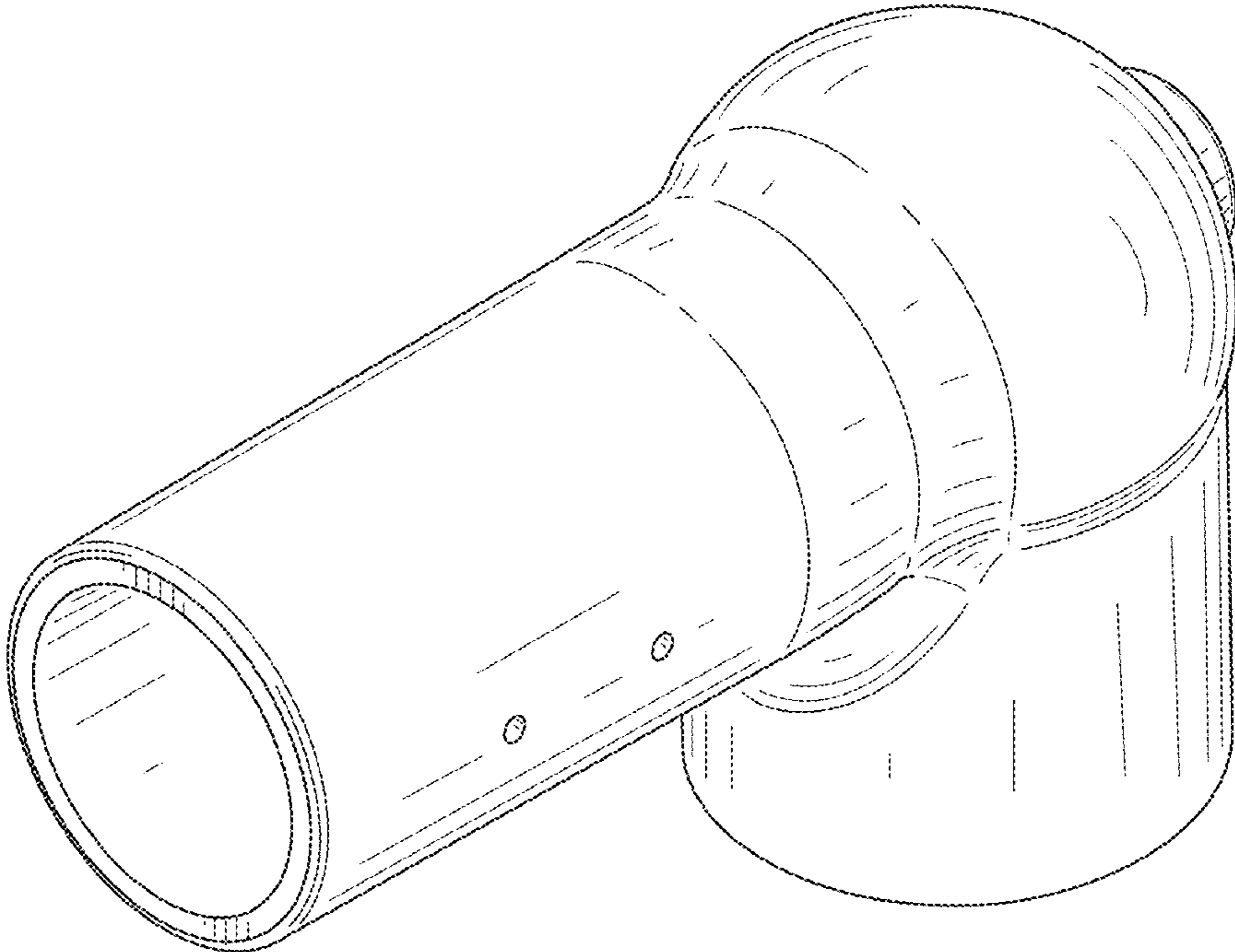


FIG. 1

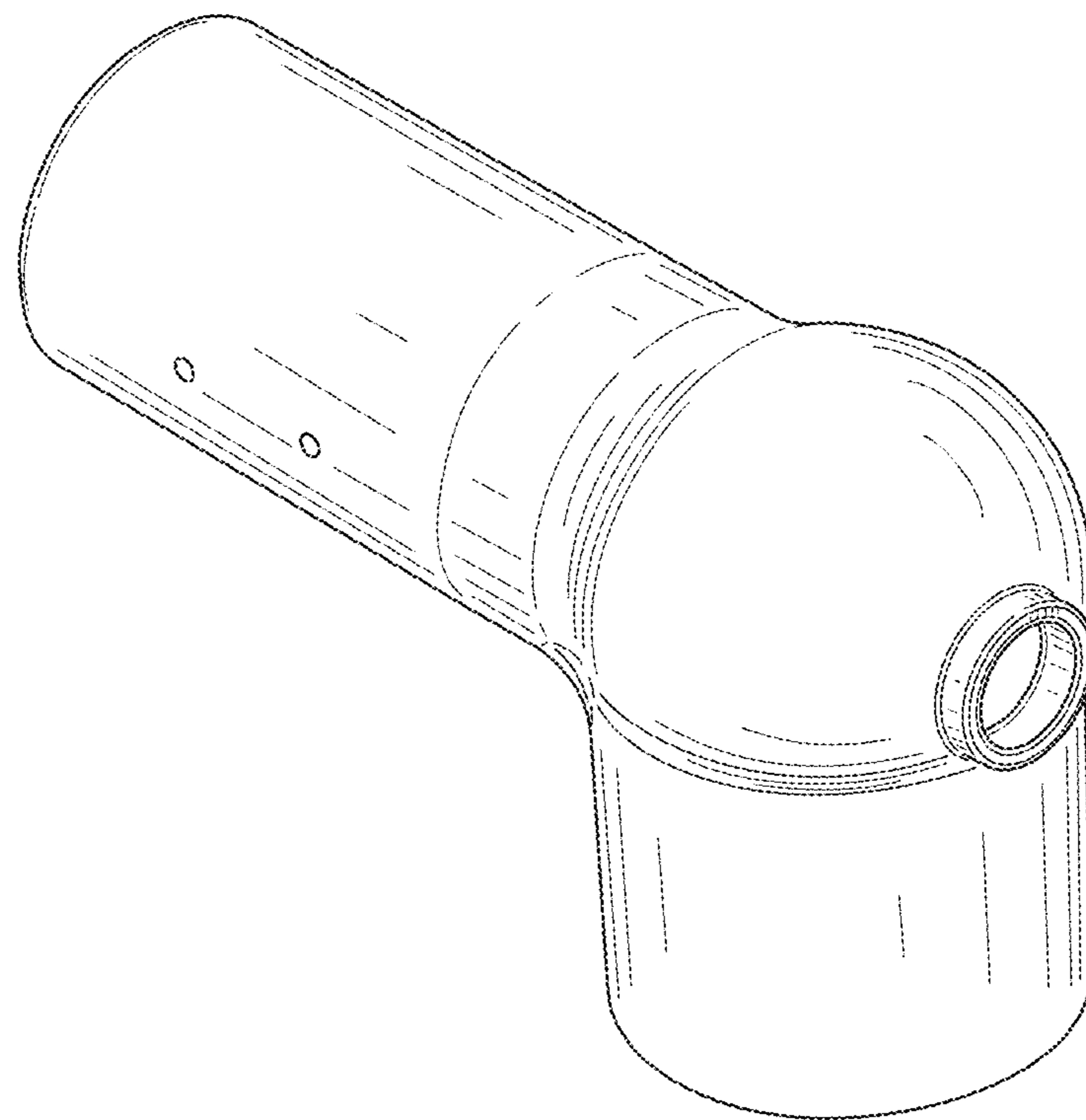


FIG. 2

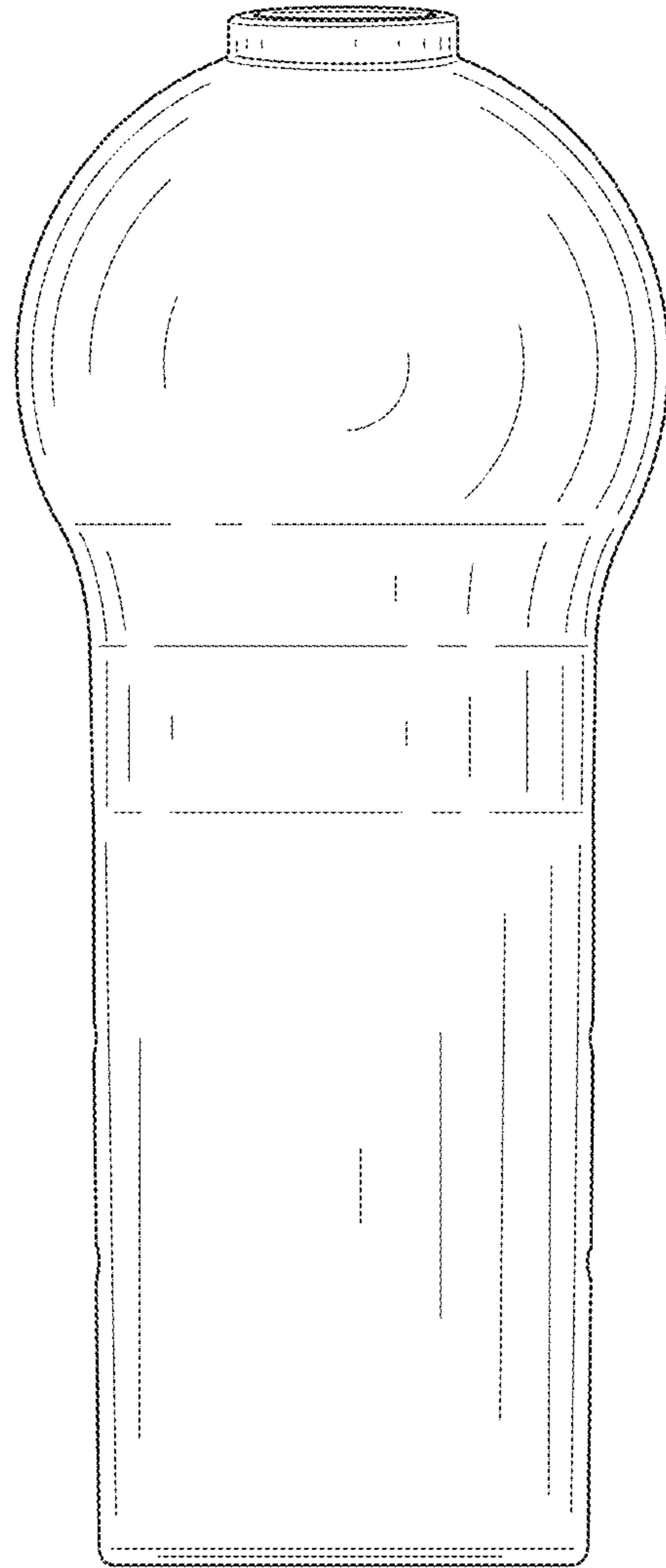


FIG. 3

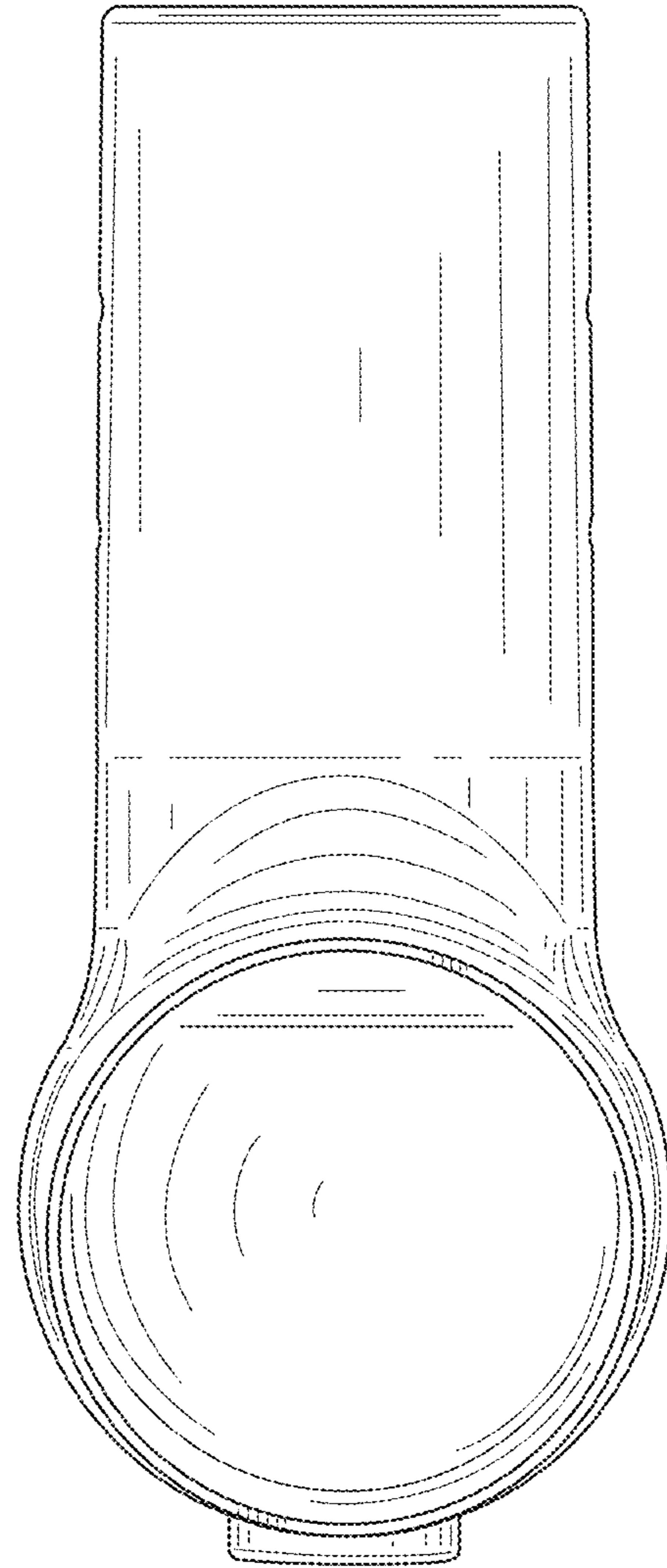


FIG. 4

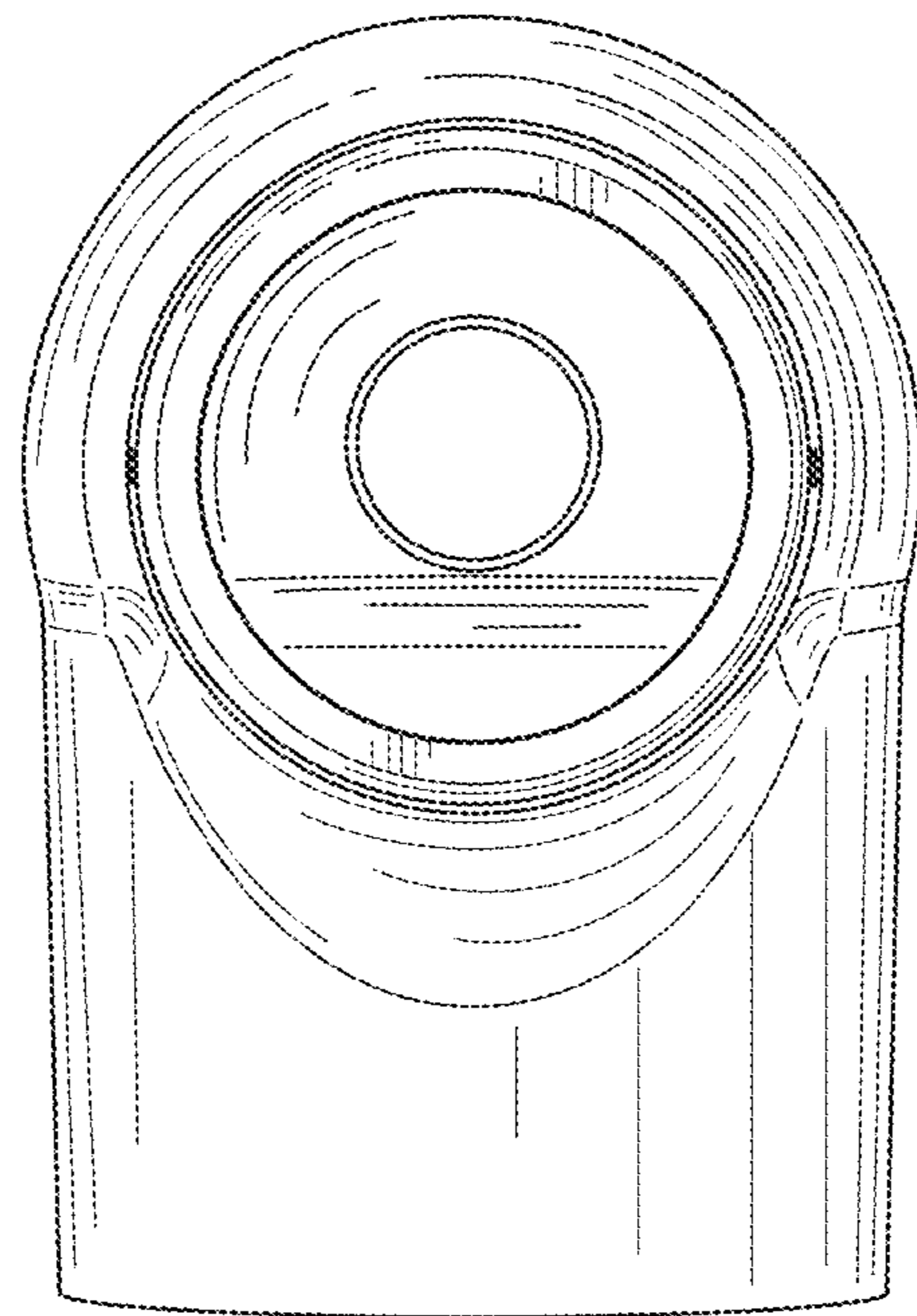


FIG. 5

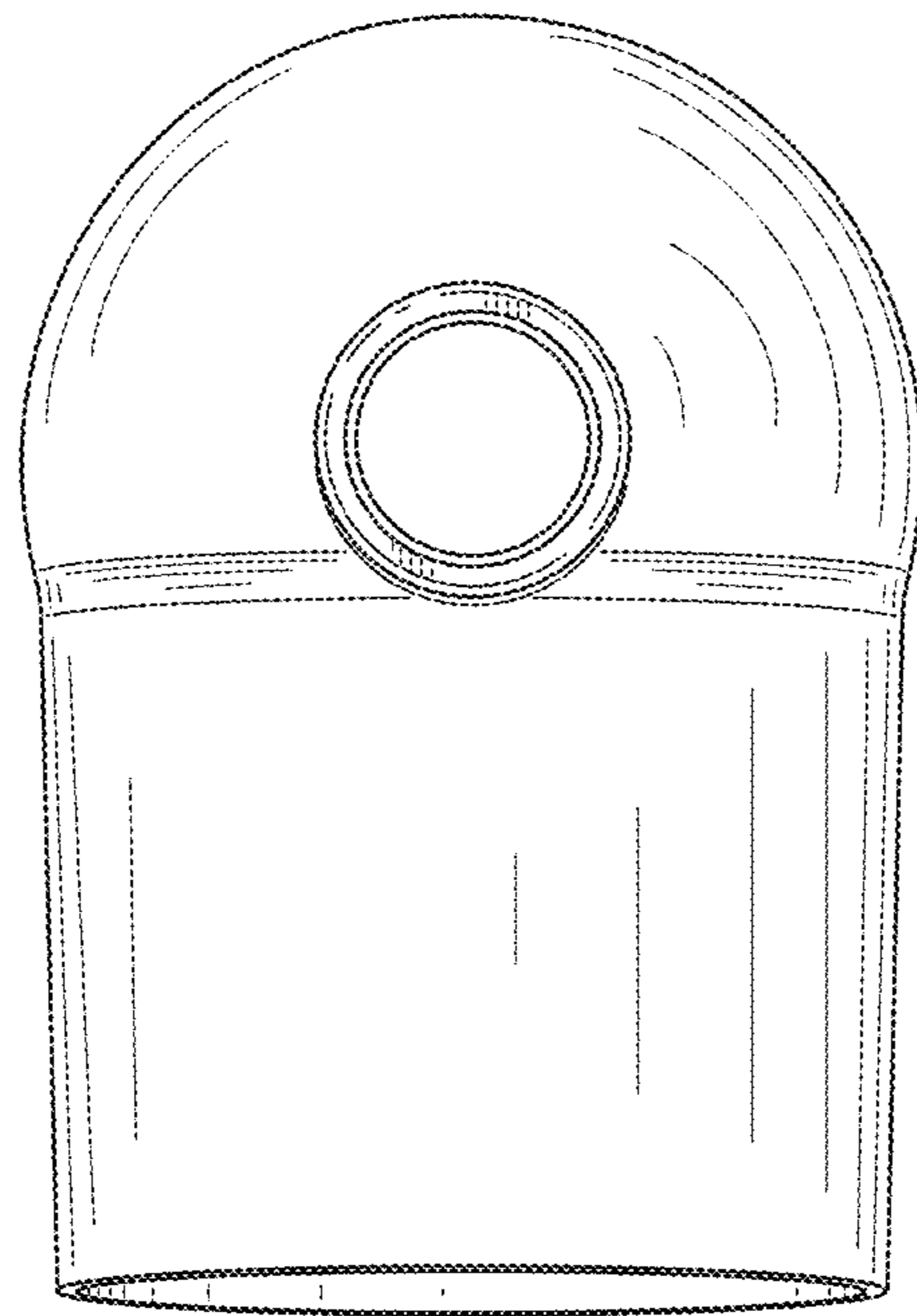


FIG. 6

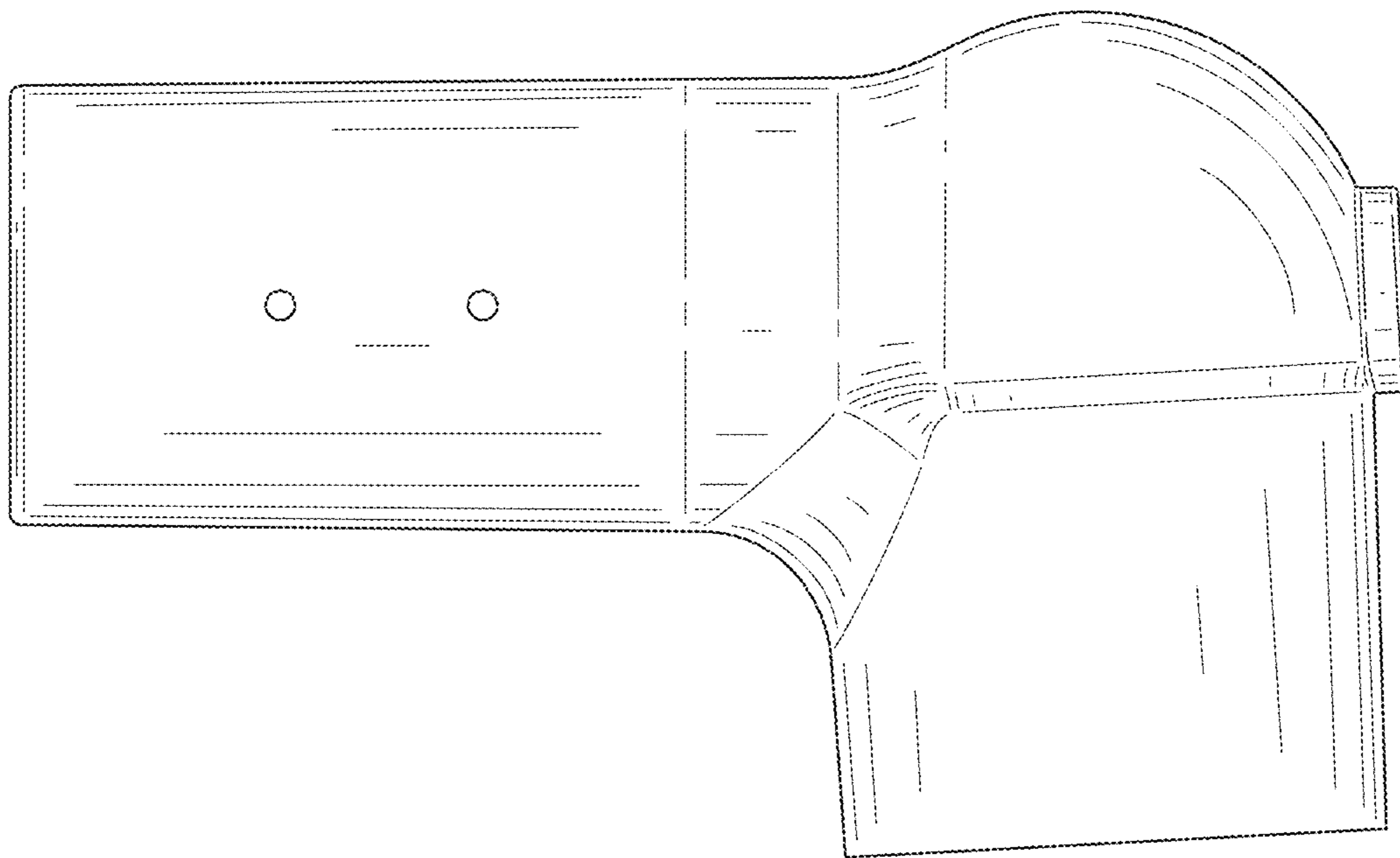


FIG. 7



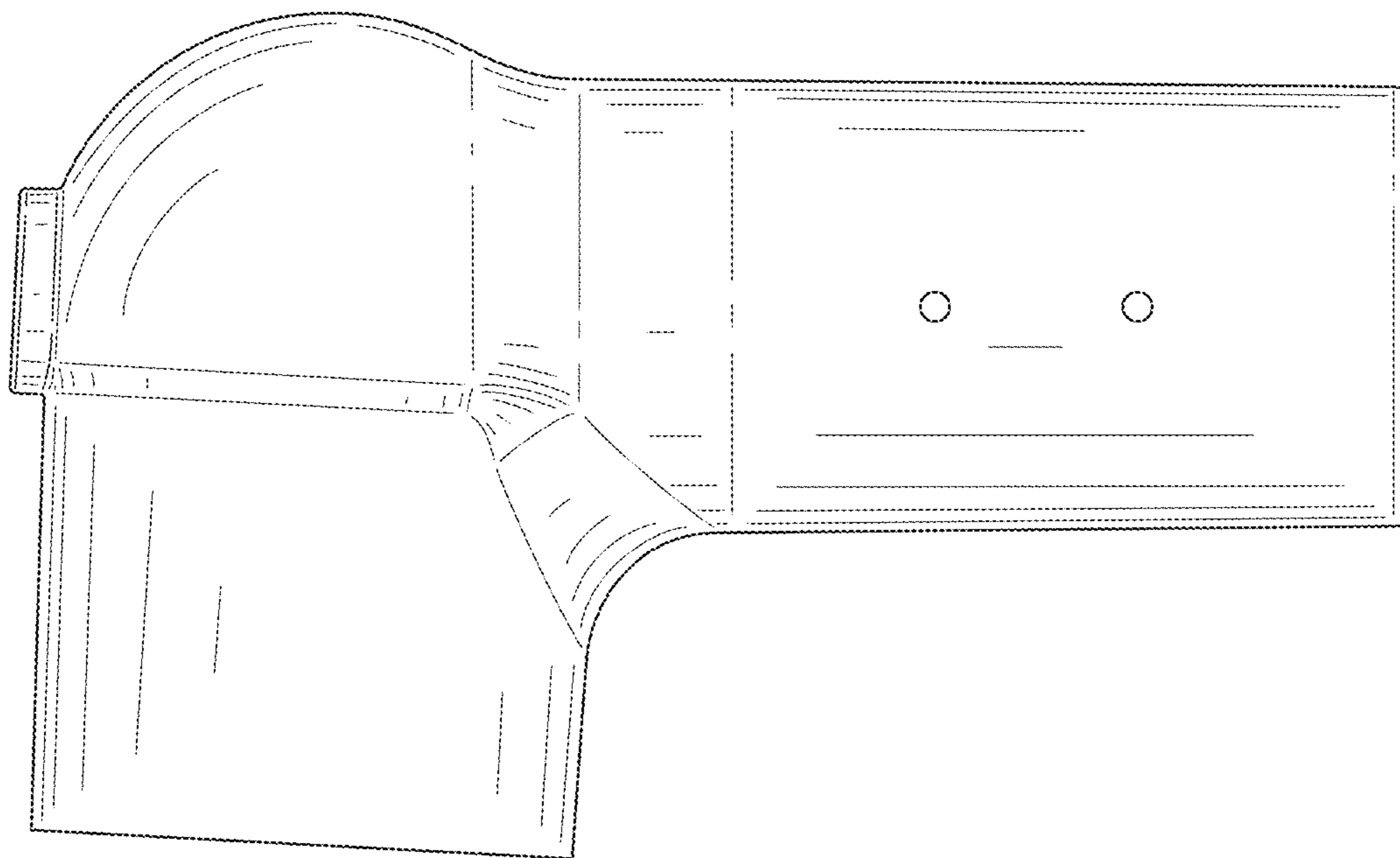


FIG. 8