



US00D919165S

(12) **United States Design Patent** (10) **Patent No.:** **US D919,165 S**
Dunigan (45) **Date of Patent:** **** May 11, 2021**

(54) **LIGHT ENCLOSURE**
(71) Applicant: **Hyster-Yale Group, Inc.**, Fairview, OR (US)
(72) Inventor: **Robert C. Dunigan**, Benson, NC (US)
(73) Assignee: **HYSTER-YALE GROUP, INC.**, Fairview, OR (US)
(**) Term: **15 Years**
(21) Appl. No.: **29/659,861**
(22) Filed: **Aug. 13, 2018**
(51) **LOC (13) Cl.** **26-05**
(52) **U.S. Cl.**
USPC **D26/118**
(58) **Field of Classification Search**
USPC D26/1, 24, 28, 29, 44, 46, 61, 63, 119, D26/123, 124; 362/227, 217.1, 217.12, 362/217.13, 217.16, 217.17, 249.07
CPC F21V 29/74; F21V 29/83; F21V 29/763; F21V 15/00; F21V 15/01; F21V 15/04; F21V 15/012; F21V 21/06; F21V 21/15; F21V 21/30; F21W 2131/10; F21W 2131/40; F21W 2131/406; F21W 2131/1005
See application file for complete search history.

(56) **References Cited**
U.S. PATENT DOCUMENTS
D256,057 S * 7/1980 Ichikawa D26/29
4,498,126 A * 2/1985 Hernandez F21V 19/04
362/217.05
D289,086 S * 3/1987 Yabata D26/29
D291,252 S * 8/1987 Ichikawa D26/29
D293,824 S * 1/1988 Ichikawa D26/29
D353,474 S * 12/1994 Shyan D26/63
D413,689 S * 9/1999 Hussaini D26/29
6,283,617 B1 * 9/2001 Stekelenburg F21S 8/033
248/126

7,175,300 B1 * 2/2007 Medeiros F21V 19/008
362/217.07
D547,477 S * 7/2007 Guercio D26/63
D565,223 S * 3/2008 Guercio D26/63
D574,102 S * 7/2008 Quiogue D26/63
D598,144 S * 8/2009 Ko D26/28
D610,734 S * 2/2010 Ward D26/74
D634,873 S * 3/2011 Guercio D26/71
D650,112 S * 12/2011 Bryant D26/85
D693,509 S * 11/2013 Hosick D26/63
D699,279 S * 2/2014 Zhan D16/239
D744,143 S * 11/2015 Bobel D26/63
D744,144 S * 11/2015 Bobel D26/63
D770,078 S * 10/2016 Largent D26/118
D774,675 S * 12/2016 Hong D26/63
D775,403 S * 12/2016 Adams D26/118

(Continued)

Primary Examiner — Wan Laymon
Assistant Examiner — Clint A Samuel
(74) *Attorney, Agent, or Firm* — Schwabe Williamson & Wyatt

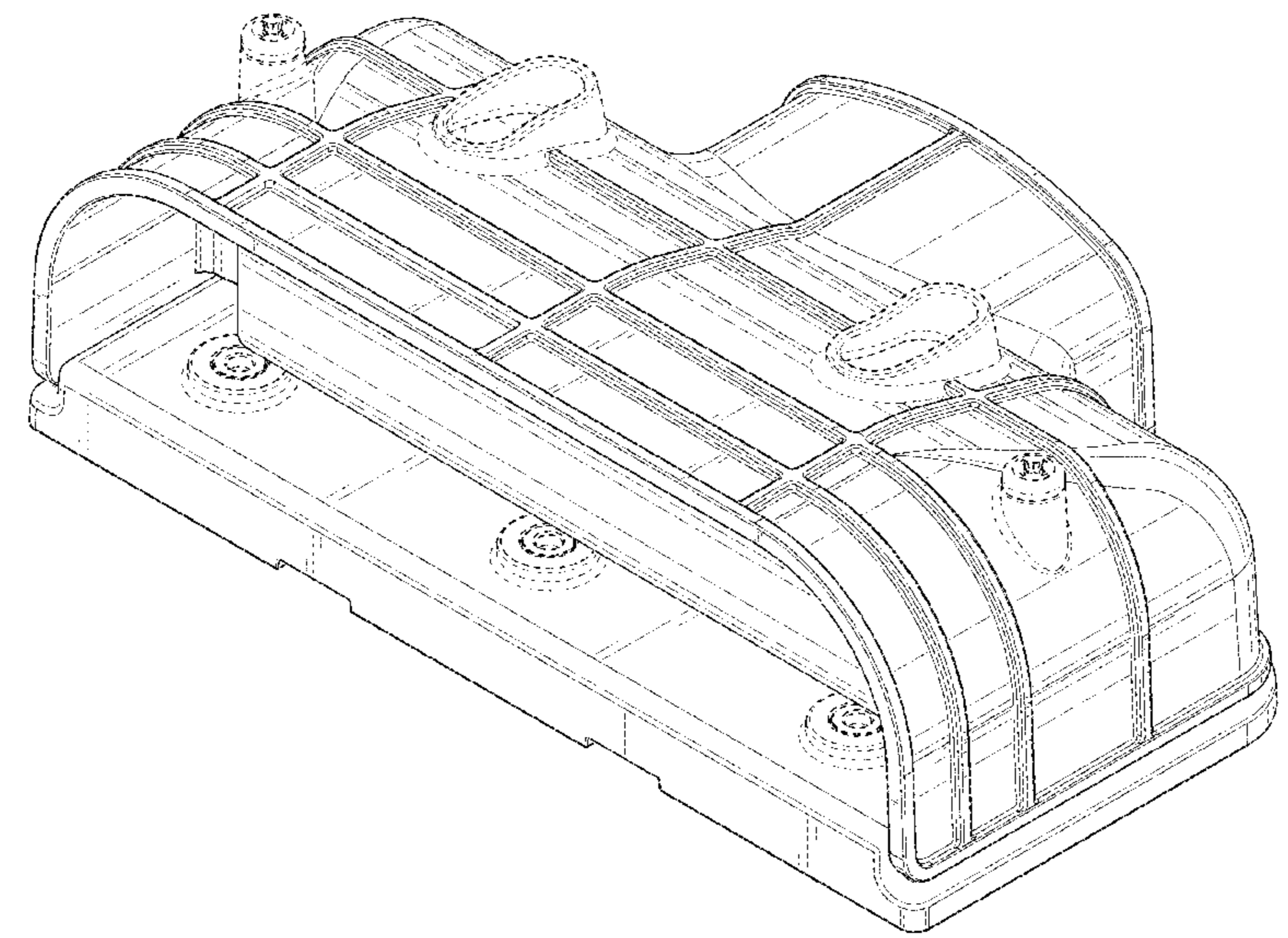
(57) **CLAIM**

The ornamental design for a light enclosure, as shown and described.

DESCRIPTION

FIG. 1 is a top front perspective view of a light enclosure showing my new design;
FIG. 2 is a bottom rear perspective view thereof;
FIG. 3 is a front view thereof;
FIG. 4 is a back view thereof;
FIG. 5 is a left side view thereof;
FIG. 6 is a right side view thereof;
FIG. 7 is a top view thereof; and,
FIG. 8 is a bottom view thereof.
The dashed lines are included for illustrating unclaimed portions of the light enclosure, and form no part of the claimed design.

1 Claim, 8 Drawing Sheets



(56)

References Cited

U.S. PATENT DOCUMENTS

D775,404 S * 12/2016 Adams D26/118
9,550,449 B2 * 1/2017 Paine B60Q 1/0088
D784,599 S * 4/2017 Sibitzky D26/118
D800,952 S * 10/2017 Shundong D26/93
D807,538 S * 1/2018 Guercio D26/24
D807,550 S * 1/2018 Tong D26/35
D821,239 S * 6/2018 Tong D10/114.4
D827,167 S * 8/2018 Deyaf D26/28
D836,230 S * 12/2018 Guercio D26/63
D839,458 S * 1/2019 Ting D26/28
D852,399 S * 6/2019 Chen D26/63
D853,005 S * 7/2019 Zou D26/63
D853,006 S * 7/2019 Zou D26/63
2013/0265752 A1 * 10/2013 Shimizu F21V 5/007
362/231

* cited by examiner

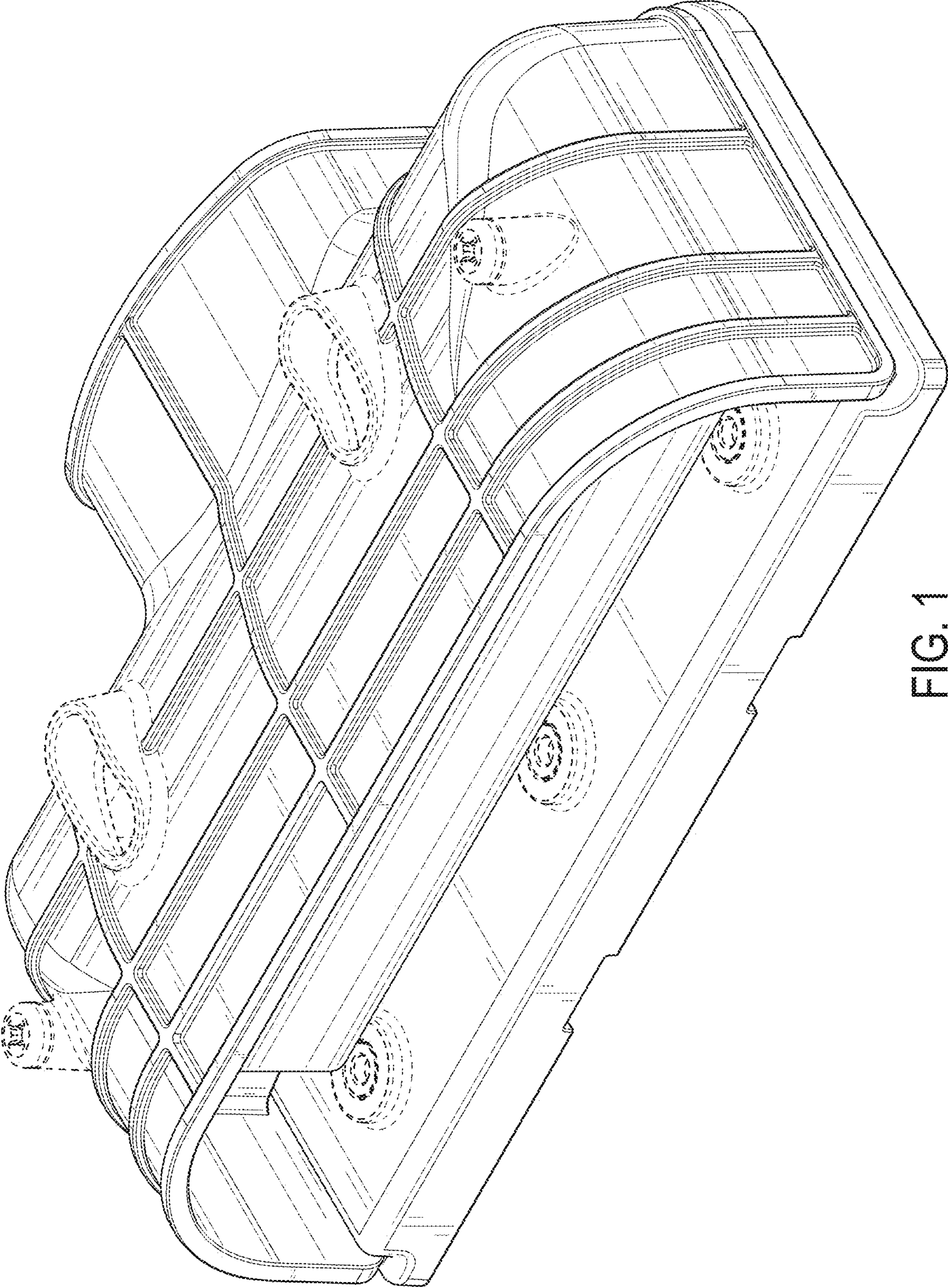


FIG. 1

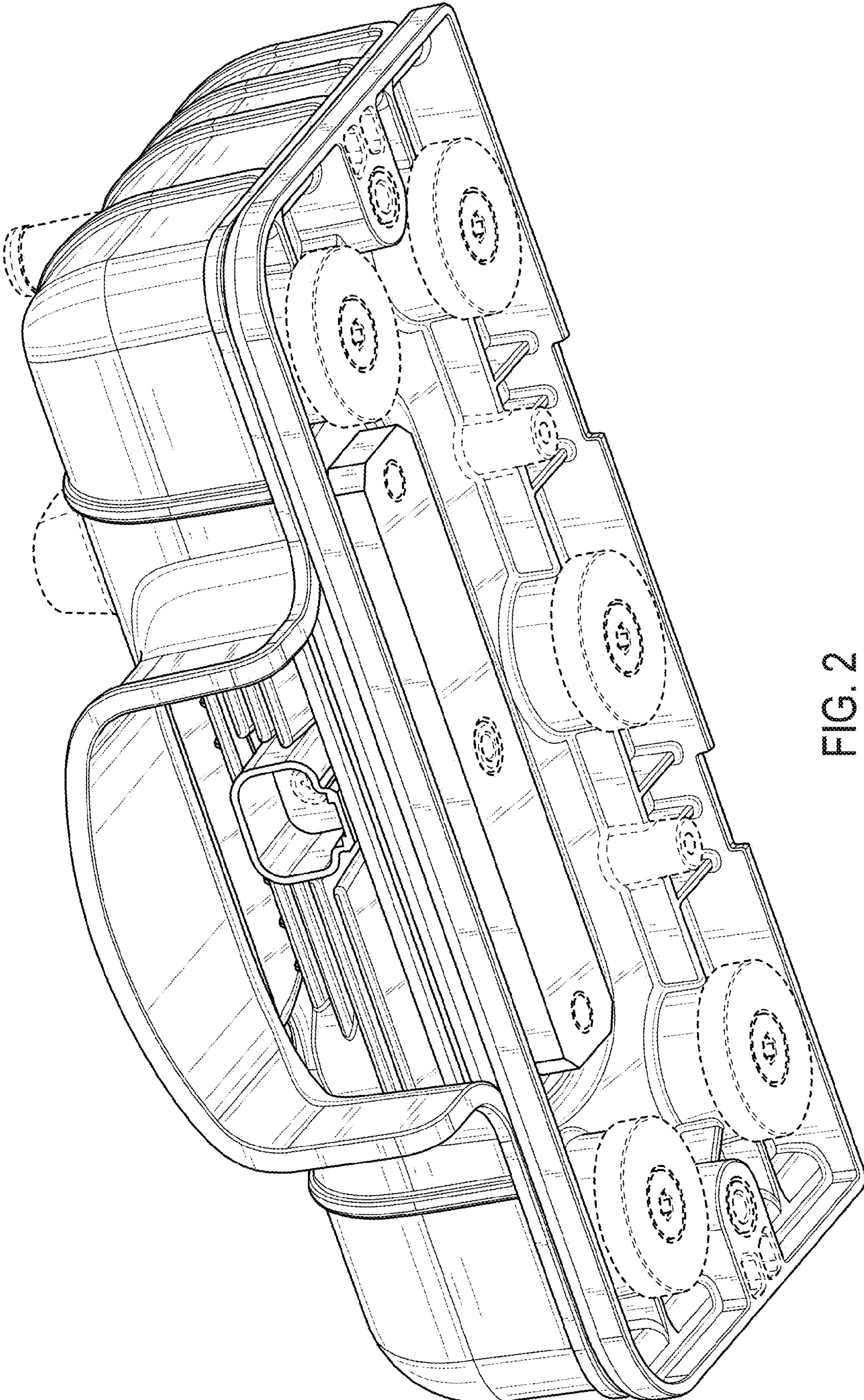


FIG. 2

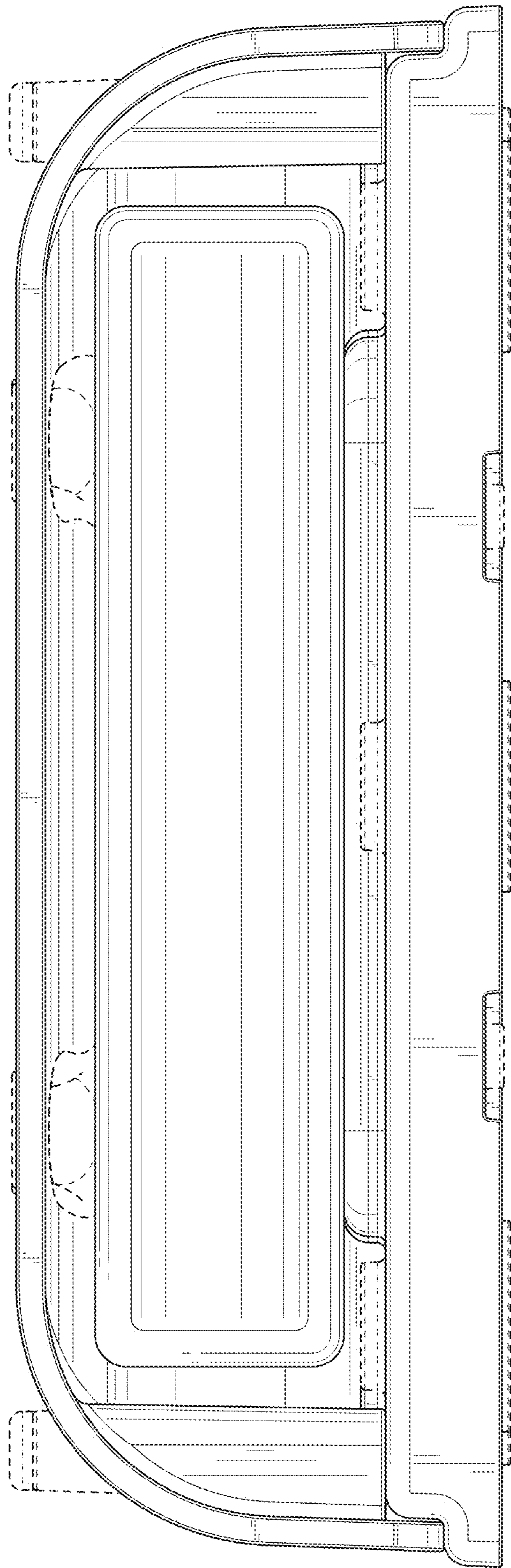


FIG. 3

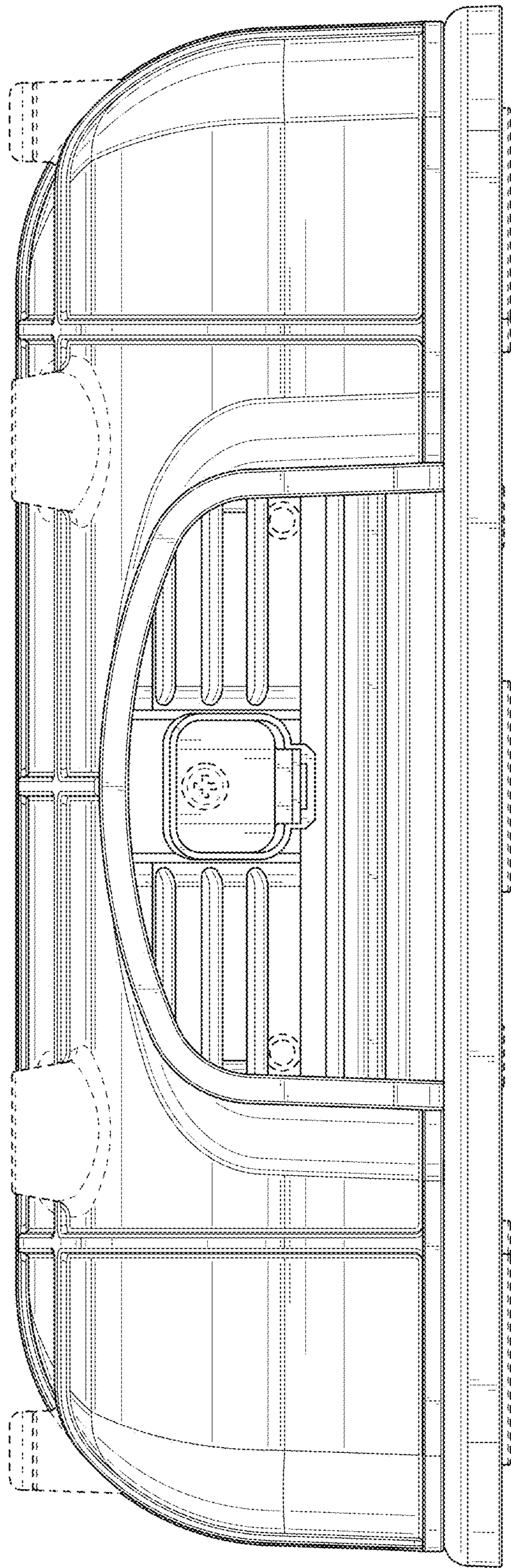


FIG. 4

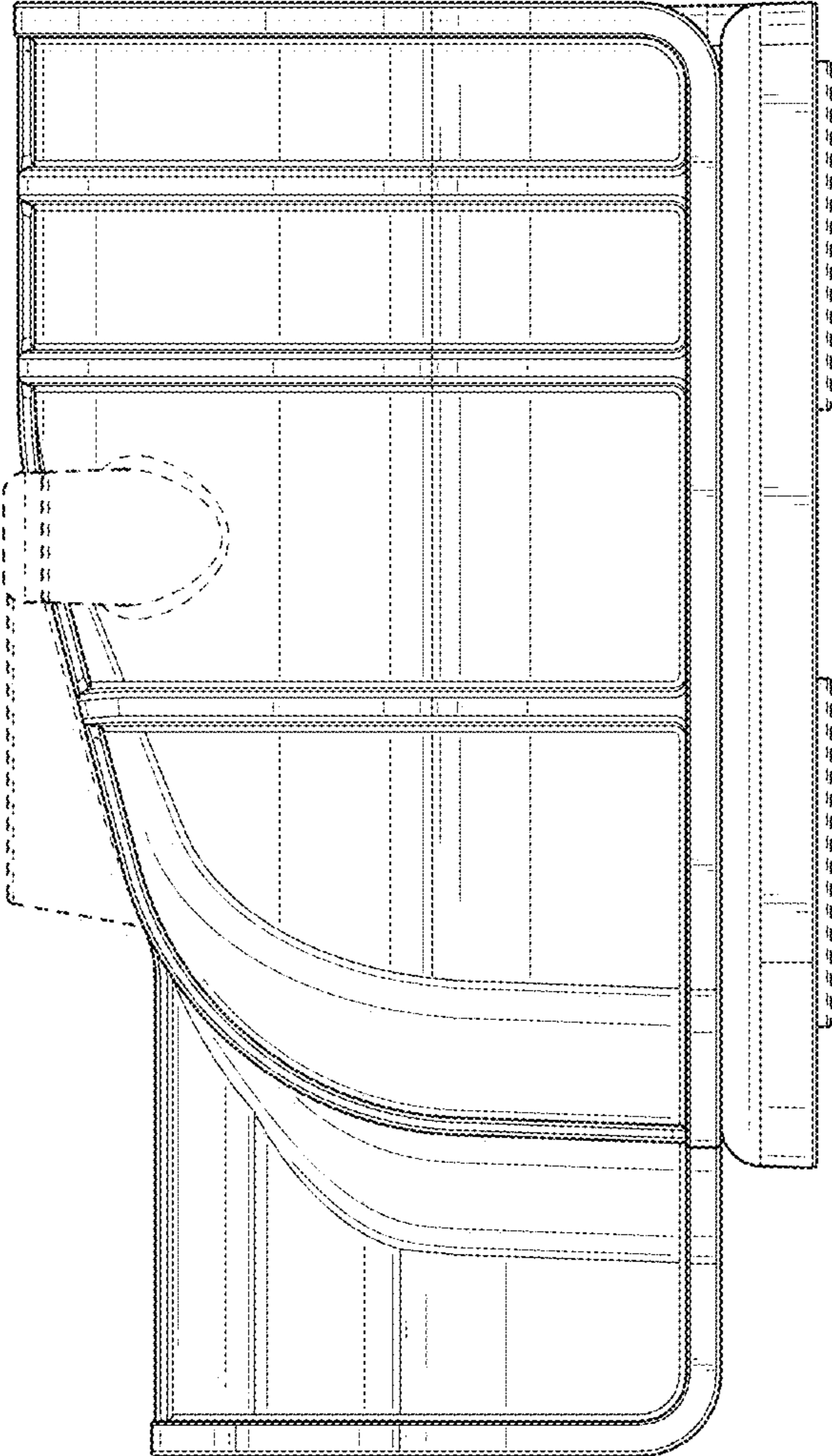


FIG. 5

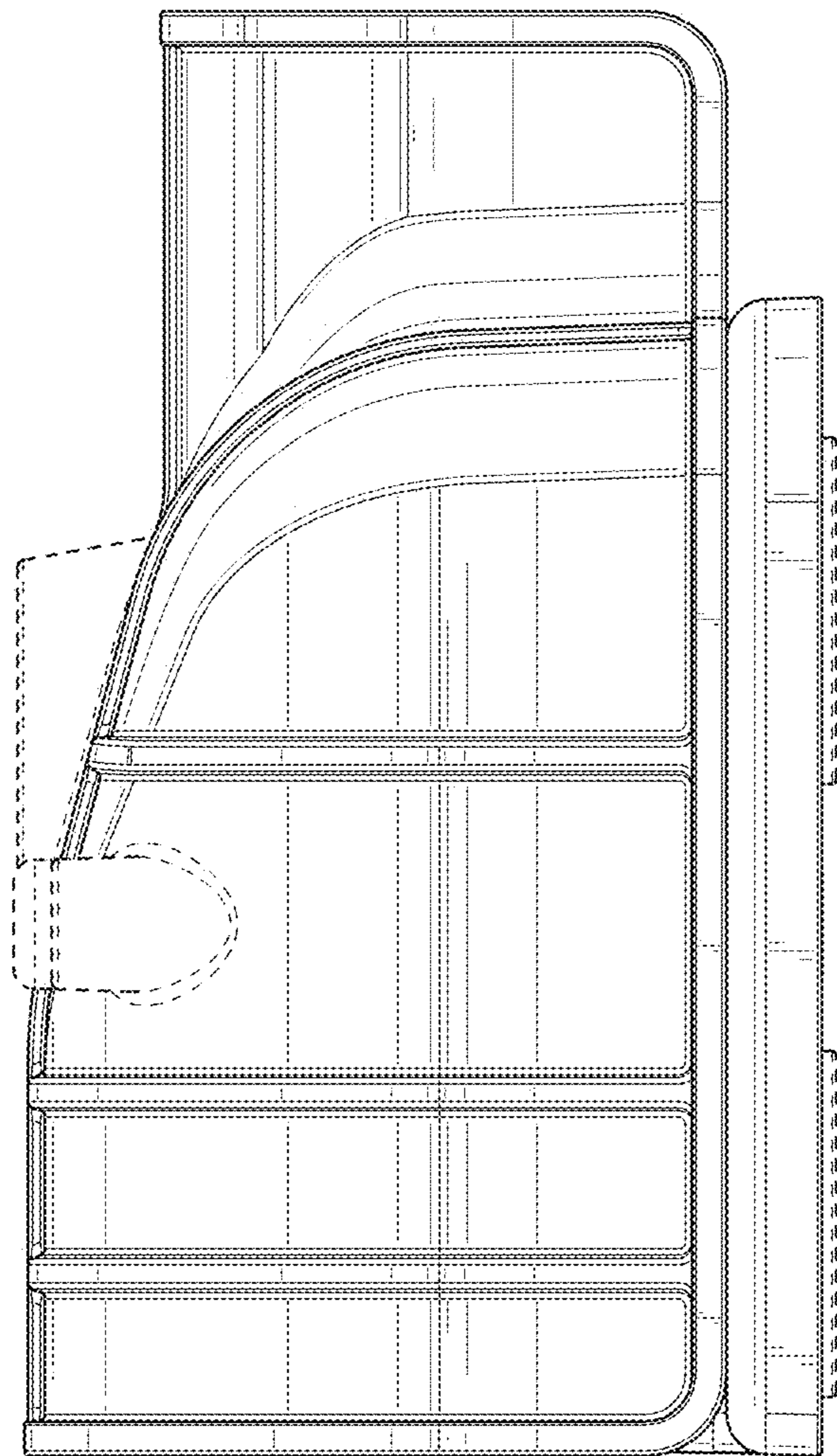


FIG. 6

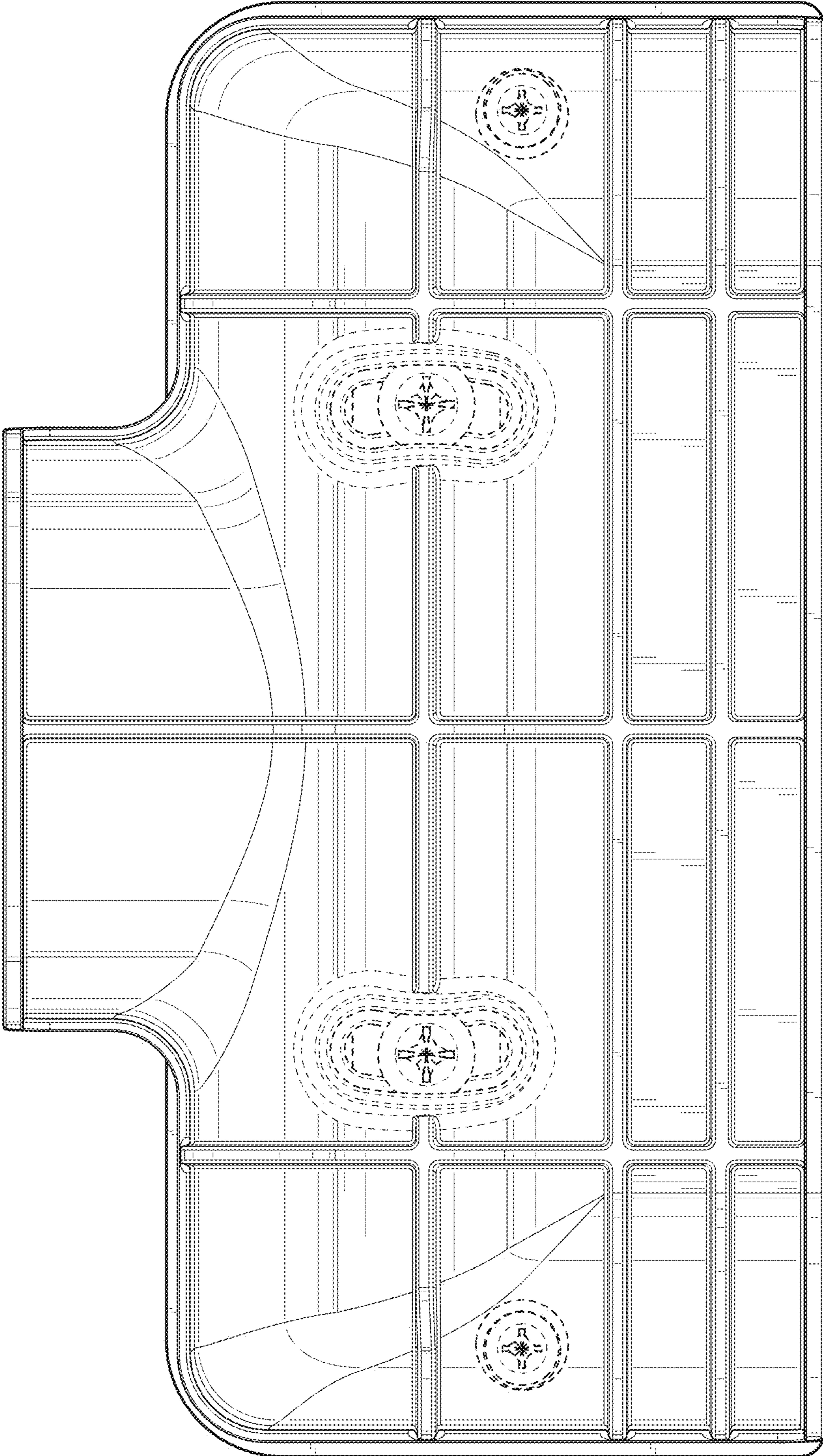


FIG. 7

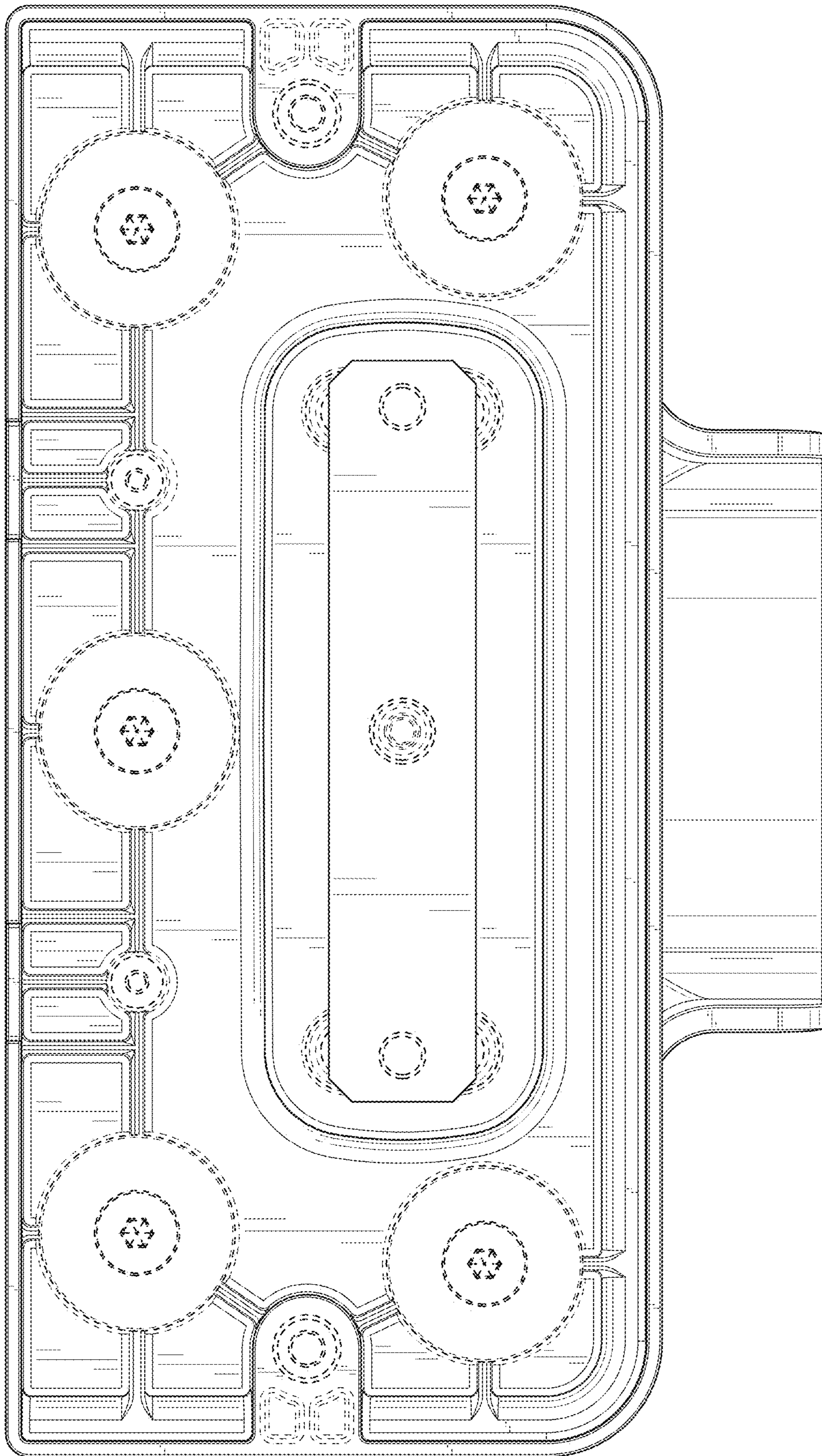


FIG. 8