



US00D919161S

(12) **United States Design Patent** (10) **Patent No.:** **US D919,161 S**  
**Gillespie** (45) **Date of Patent:** **\*\* May 11, 2021**

(54) **LAMP**

(71) Applicant: **OVUUD, LLC**, Philadelphia, PA (US)

(72) Inventor: **Benjamin J. Gillespie**, Philadelphia, PA (US)

(73) Assignee: **OVUUD, LLC**

(\*\*) Term: **15 Years**

(21) Appl. No.: **29/660,282**

(22) Filed: **Aug. 20, 2018**

(51) **LOC (13) Cl.** ..... **26-03**

(52) **U.S. Cl.**  
USPC ..... **D26/90**

(58) **Field of Classification Search**  
USPC ..... D26/72, 80-86, 88, 90

(Continued)

(56) **References Cited**

**U.S. PATENT DOCUMENTS**

D240,653 S \* 7/1976 Eftekhar ..... D26/80  
D668,371 S \* 10/2012 Alpaslan ..... D26/72

(Continued)

**OTHER PUBLICATIONS**

Planar LED Pendant from Hubbardton Forge <<https://www.lumens.com/planar-led-pendant-by-hubbardton-forge-HBFP91382.html>> website visited Dec. 29, 2020. (Year: 2020).\*

(Continued)

*Primary Examiner* — Clare E Heflin

(74) *Attorney, Agent, or Firm* — The Belles Group, P.C.

(57) **CLAIM**

The ornamental design for a lamp, as shown and described.

**DESCRIPTION**

FIG. 1 is a front-left top perspective view of a lamp according to a first embodiment of the present invention;

FIG. 2 is a rear-right bottom perspective view of the lamp thereof;

FIG. 3 is a rear-left top perspective view of the lamp thereof;

FIG. 4 is a front-right bottom perspective

FIG. 5 is a left-side elevation view of the lamp thereof;

FIG. 6 is a right-side elevation view of the lamp thereof;

FIG. 7 is a front elevation view of the lamp thereof;

FIG. 8 is a rear elevation view of the lamp thereof;

FIG. 9 is a top plan view of the lamp thereof;

FIG. 10 is a bottom plan view of the lamp thereof;

FIG. 11 is a front-left top perspective view of a lamp according to a second embodiment of the present invention;

FIG. 12 is a rear-right bottom perspective view of the lamp thereof;

FIG. 13 is a rear-left top perspective view of the lamp thereof;

FIG. 14 is a front-right bottom perspective

FIG. 15 is a left-side elevation view of the lamp thereof;

FIG. 16 is a right-side elevation view of the lamp thereof;

FIG. 17 is a front elevation view of the lamp thereof;

FIG. 18 is a rear elevation view of the lamp thereof;

FIG. 19 is a top plan view of the lamp thereof;

FIG. 20 is a bottom plan view of the lamp thereof;

FIG. 21 is a front-left top perspective view of a lamp according to a third embodiment of the present invention;

FIG. 22 is a rear-right bottom perspective view of the lamp thereof;

FIG. 23 is a rear-left top perspective view of the lamp thereof;

FIG. 24 is a front-right bottom perspective view of the lamp thereof;

FIG. 25 is a left-side elevation view of the lamp thereof;

FIG. 26 is a right-side elevation view of the lamp thereof;

FIG. 27 is a front elevation view of the lamp thereof;

FIG. 28 is a rear elevation view of the lamp thereof;

FIG. 29 is a top plan view of the lamp thereof;

FIG. 30 is a bottom plan view of the lamp thereof;

FIG. 31 is a front-left top perspective view of a lamp according to a fourth embodiment of the present invention;

FIG. 32 is a rear-right bottom perspective view of the lamp thereof;

FIG. 33 is a rear-left top perspective view of the lamp thereof;

(Continued)

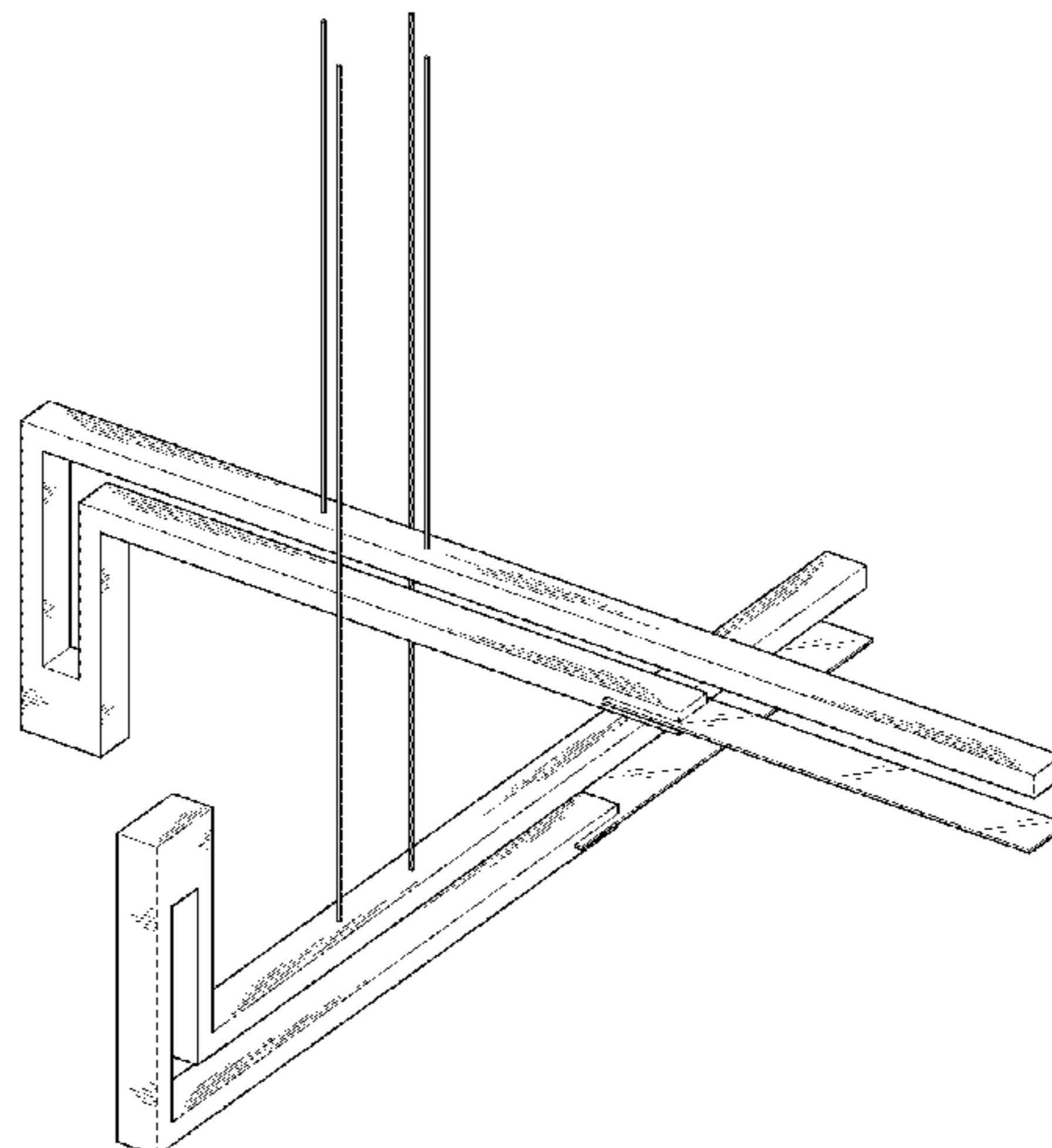


FIG. 34 is a front-right bottom perspective of the lamp thereof;  
 FIG. 35 is a left-side elevation view of the lamp thereof;  
 FIG. 36 is a right-side elevation view of the lamp thereof;  
 FIG. 37 is a front elevation view of the lamp thereof;  
 FIG. 38 is a rear elevation view of the lamp thereof;  
 FIG. 39 is a top plan view of the lamp thereof;  
 FIG. 40 is a bottom plan view of the lamp thereof;  
 FIG. 41 is a front-left top perspective view of a lamp according to a fifth embodiment of the present invention;  
 FIG. 42 is a rear-right bottom perspective view of the lamp thereof;  
 FIG. 43 is a rear-left top perspective view of the lamp thereof;  
 FIG. 44 is a front-right bottom perspective view of the lamp thereof;  
 FIG. 45 is a left-side elevation view of the lamp thereof;  
 FIG. 46 is a right-side elevation view of the lamp thereof;  
 FIG. 47 is a front elevation view of the lamp thereof;  
 FIG. 48 is a rear elevation view of the lamp thereof;  
 FIG. 49 is a top plan view of the lamp thereof; and,  
 FIG. 50 is a bottom plan view of the lamp thereof.  
 The dashed lines of FIGS. 11-19, 21-29, 31-70 formed by segments of equal length depict portions of the lamp that form no part of the claimed design. The dashed lines of FIGS. 31-48 and formed by a dash-dot-dash sequence represent an unclaimed boundary.

**1 Claim, 50 Drawing Sheets**

(58) **Field of Classification Search**

CPC .... F21S 8/04; F21S 8/043; F21S 8/046; F21S 8/06; F21S 8/061; F21S 8/063; F21S 8/065; F21S 8/066; F21S 8/068

See application file for complete search history.

(56) **References Cited**

U.S. PATENT DOCUMENTS

|              |      |         |           |       |             |
|--------------|------|---------|-----------|-------|-------------|
| D674,951     | S *  | 1/2013  | Sonneman  | ..... | D26/80      |
| D773,719     | S *  | 12/2016 | Sonneman  | ..... | D26/90      |
| D775,397     | S *  | 12/2016 | Sonneman  | ..... | D26/90      |
| D792,633     | S *  | 7/2017  | Sonneman  | ..... | D26/90      |
| D826,450     | S *  | 8/2018  | Clark     | ..... | D26/80      |
| D862,767     | S *  | 10/2019 | Pomputius | ..... | D26/81      |
| 2017/0198895 | A1 * | 7/2017  | Sonneman  | ..... | F21S 8/065  |
| 2018/0128467 | A1 * | 5/2018  | Sonneman  | ..... | F21V 21/35  |
| 2018/0313503 | A1 * | 11/2018 | Sonneman  | ..... | F21S 8/063  |
| 2019/0017260 | A1 * | 1/2019  | Bou Harb  | ..... | F21V 33/006 |
| 2019/0162369 | A1 * | 5/2019  | Sonneman  | ..... | F21S 2/00   |
| 2020/0263859 | A1 * | 8/2020  | Kinsley   | ..... | F21V 21/005 |

OTHER PUBLICATIONS

Metric Pendant by Modern Forms, Website visited Dec. 29, 2020:  
 < <https://www.lumens.com/metric-pendant-by-modern-forms-MFMP154002.html>>. (Year: 2020).\*

\* cited by examiner

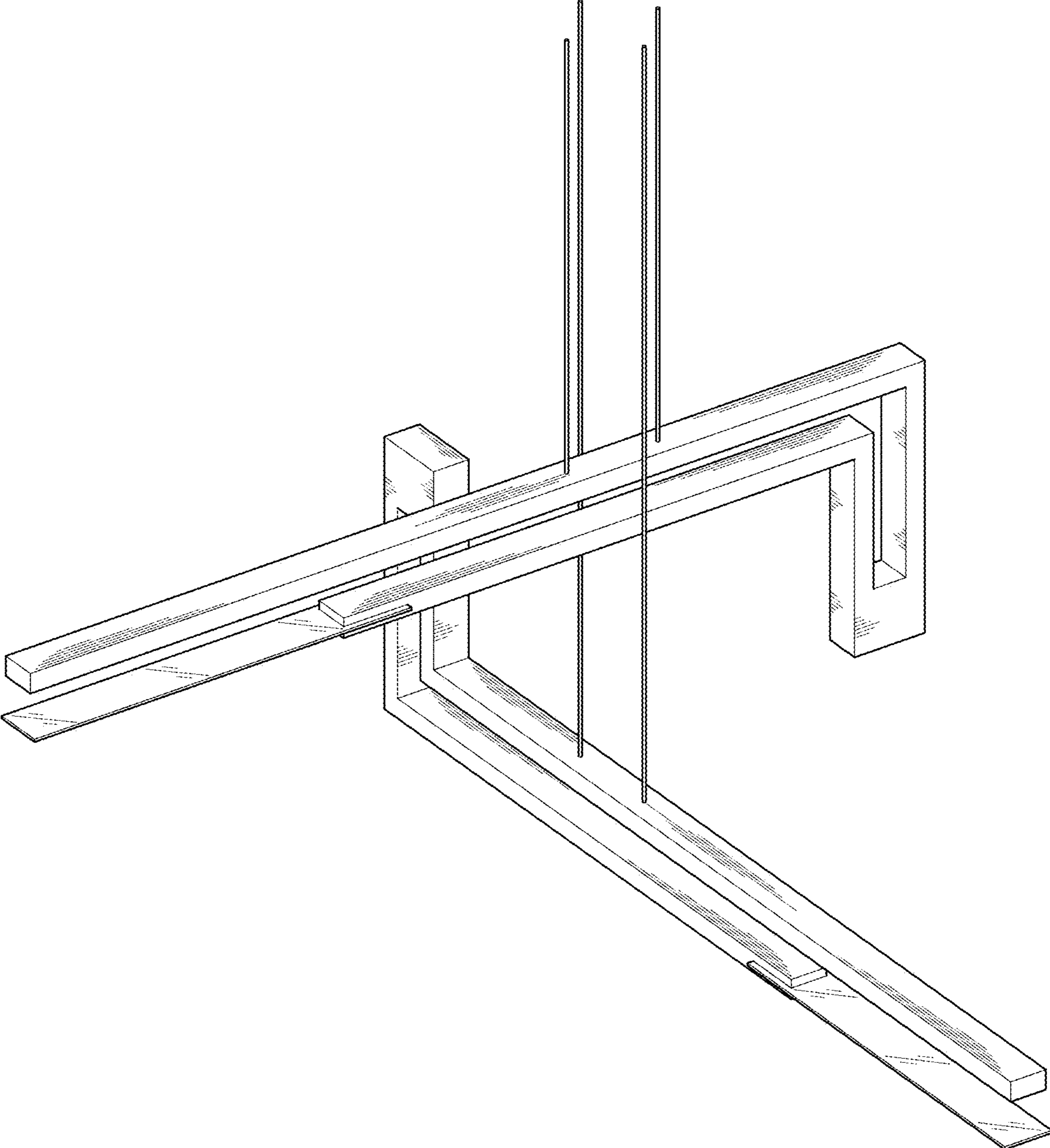


FIG. 1



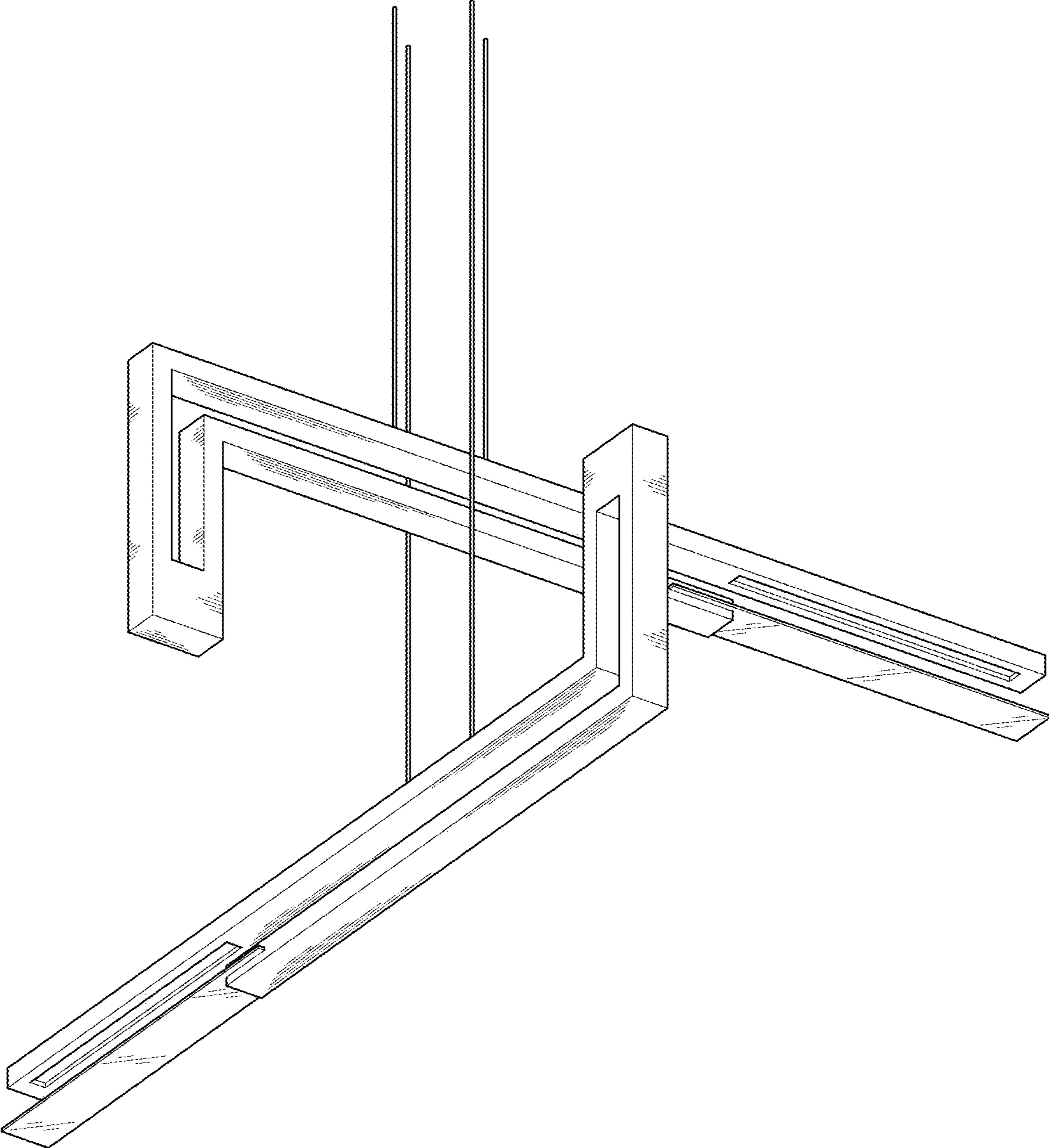


FIG. 2

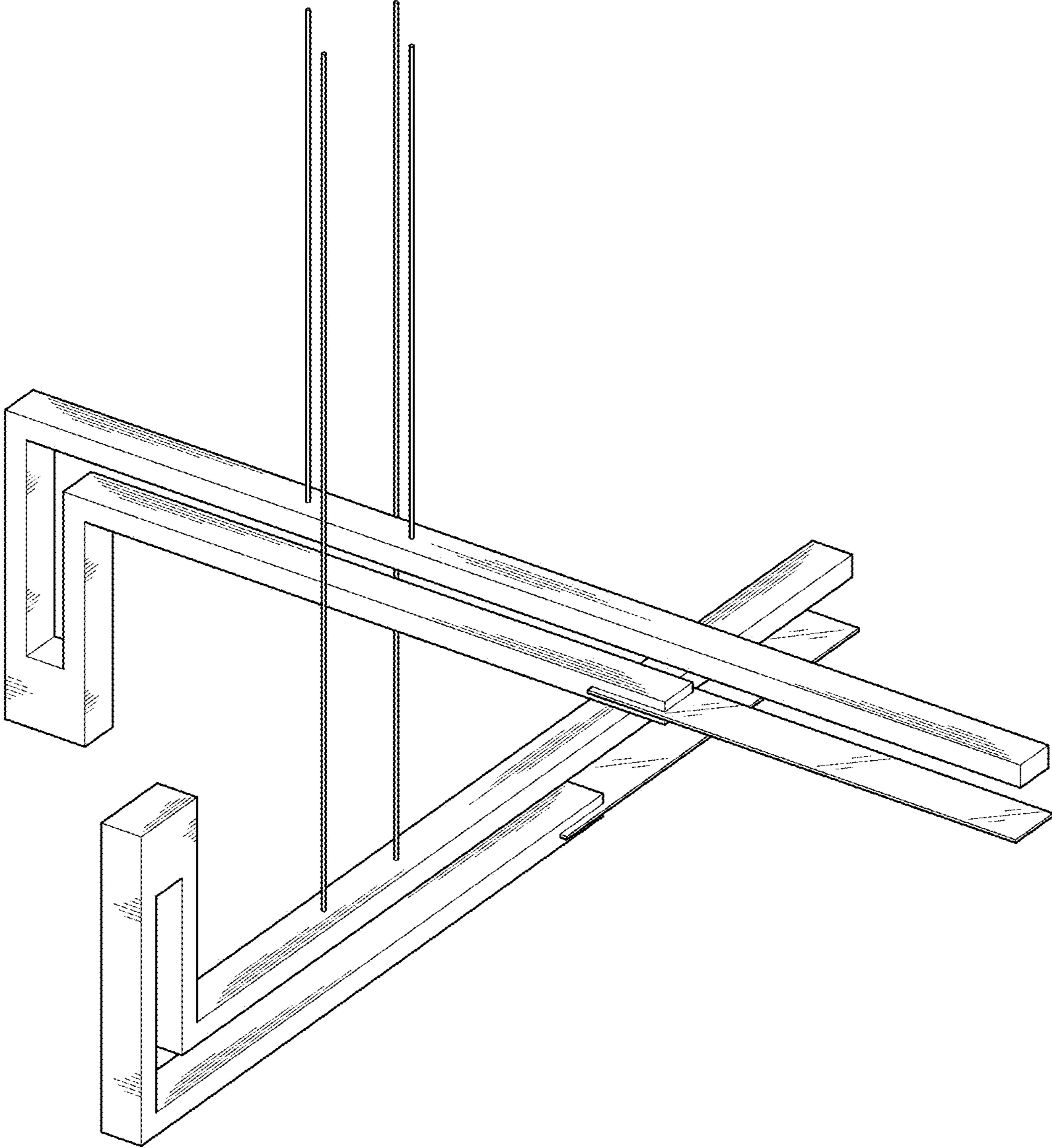


FIG. 3

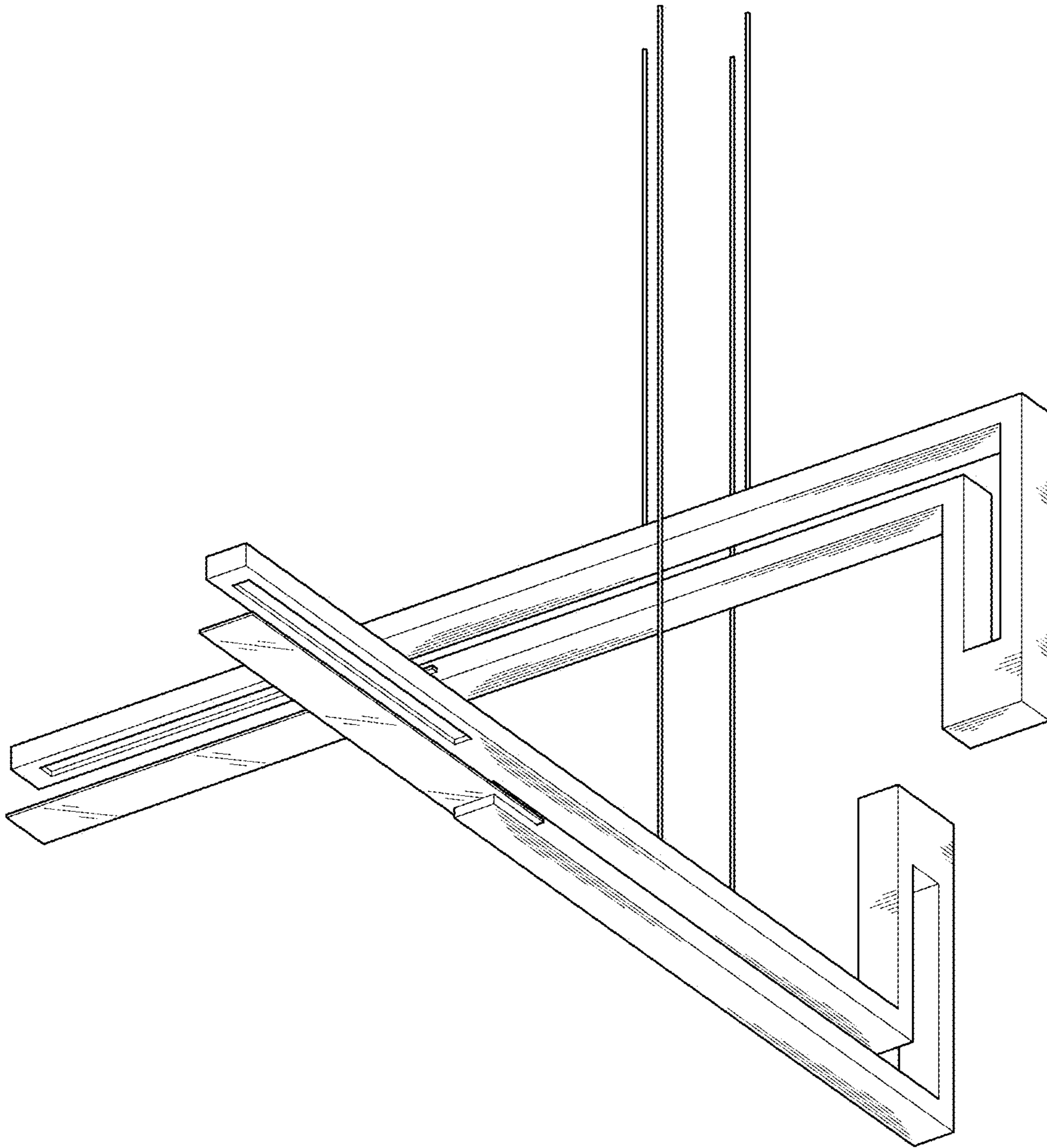


FIG. 4

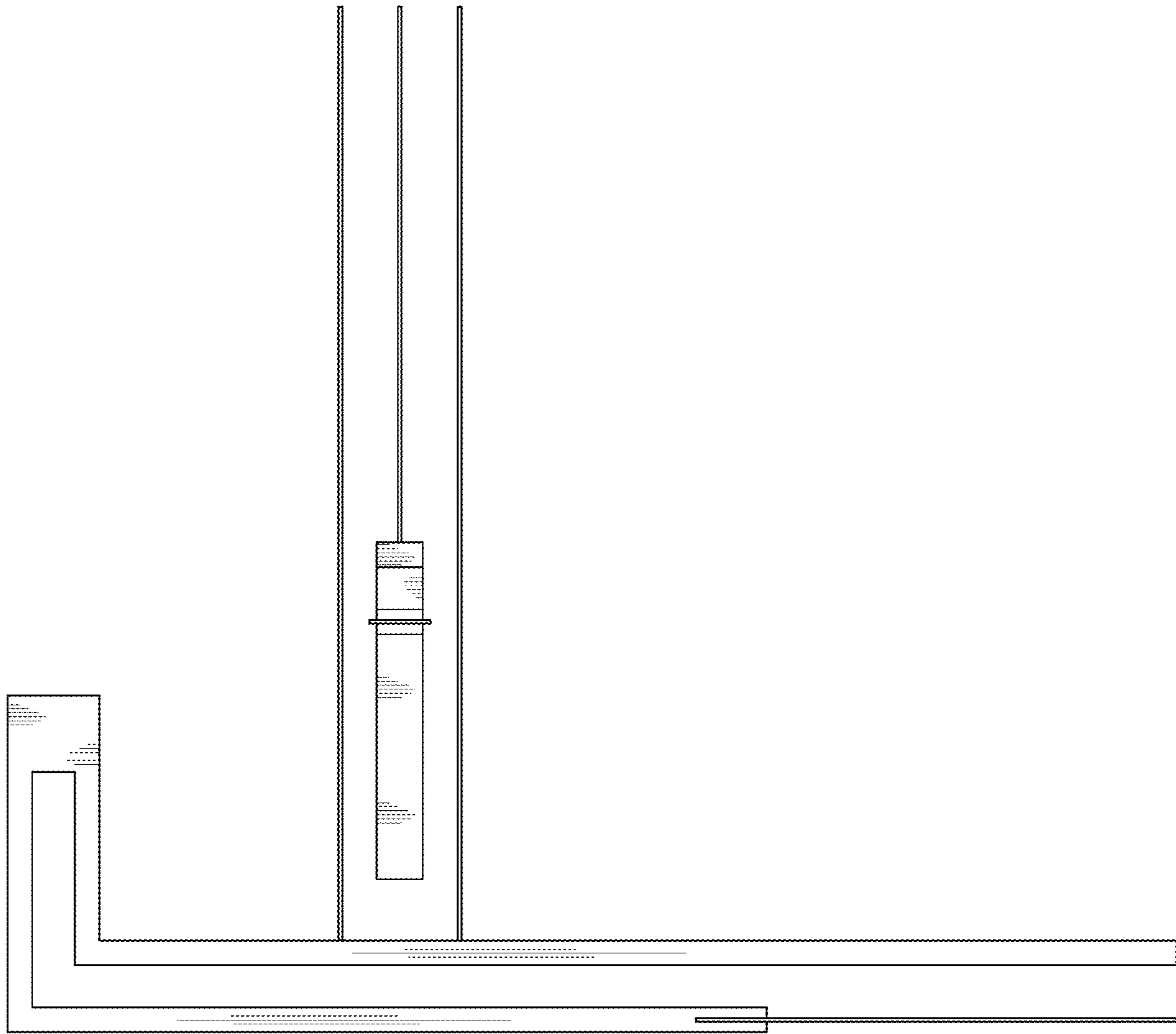


FIG. 5

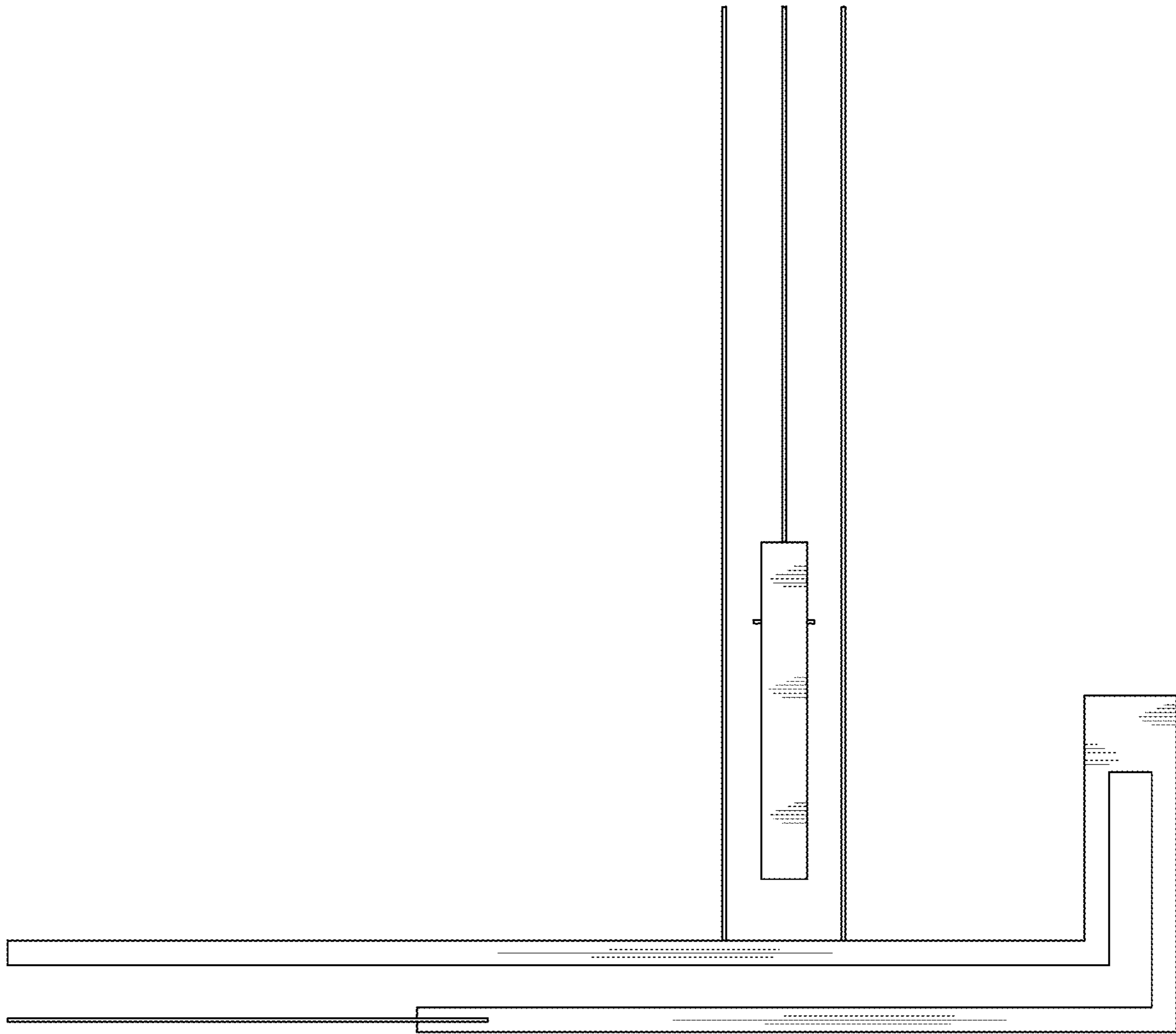


FIG. 6



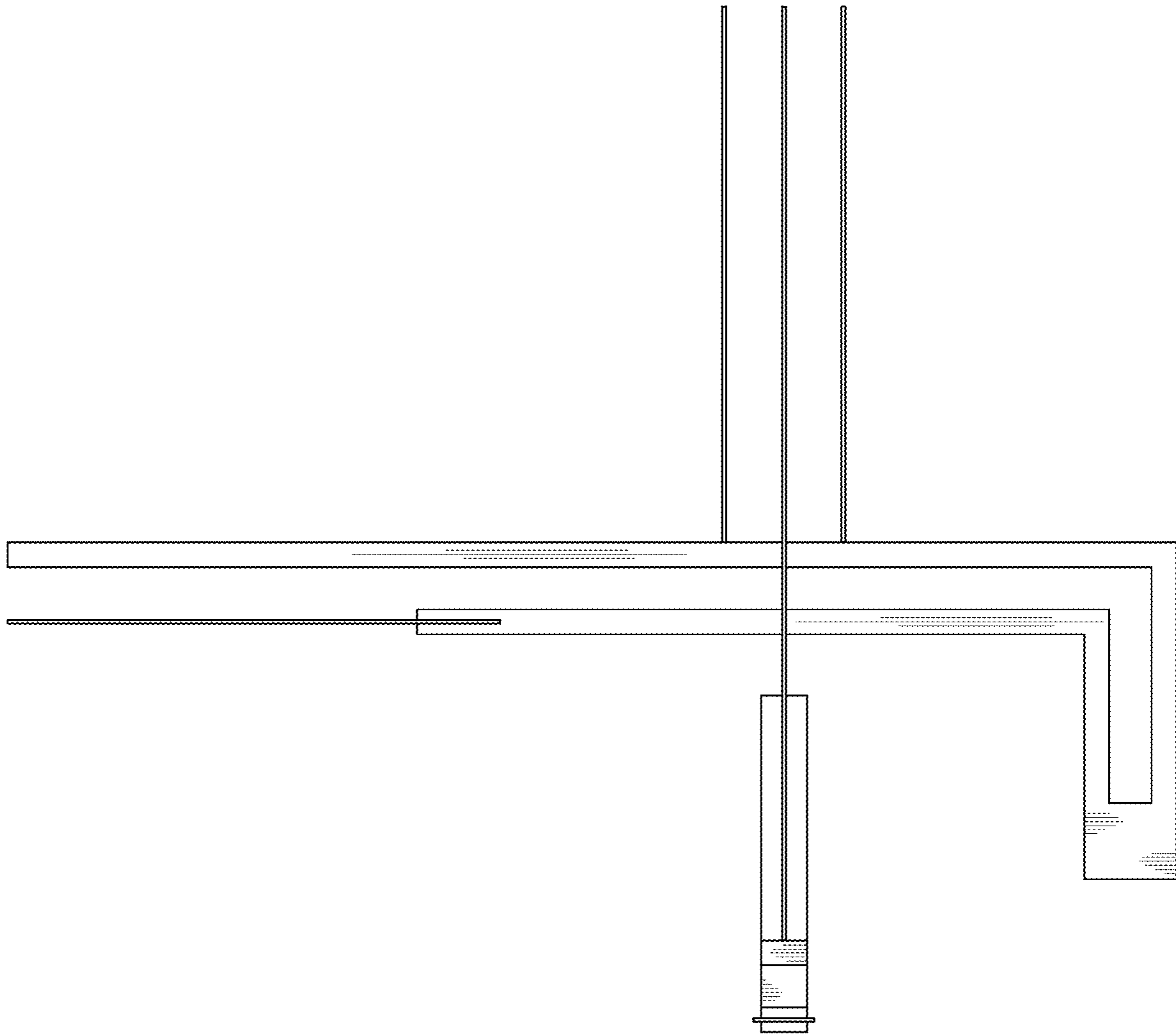


FIG. 7

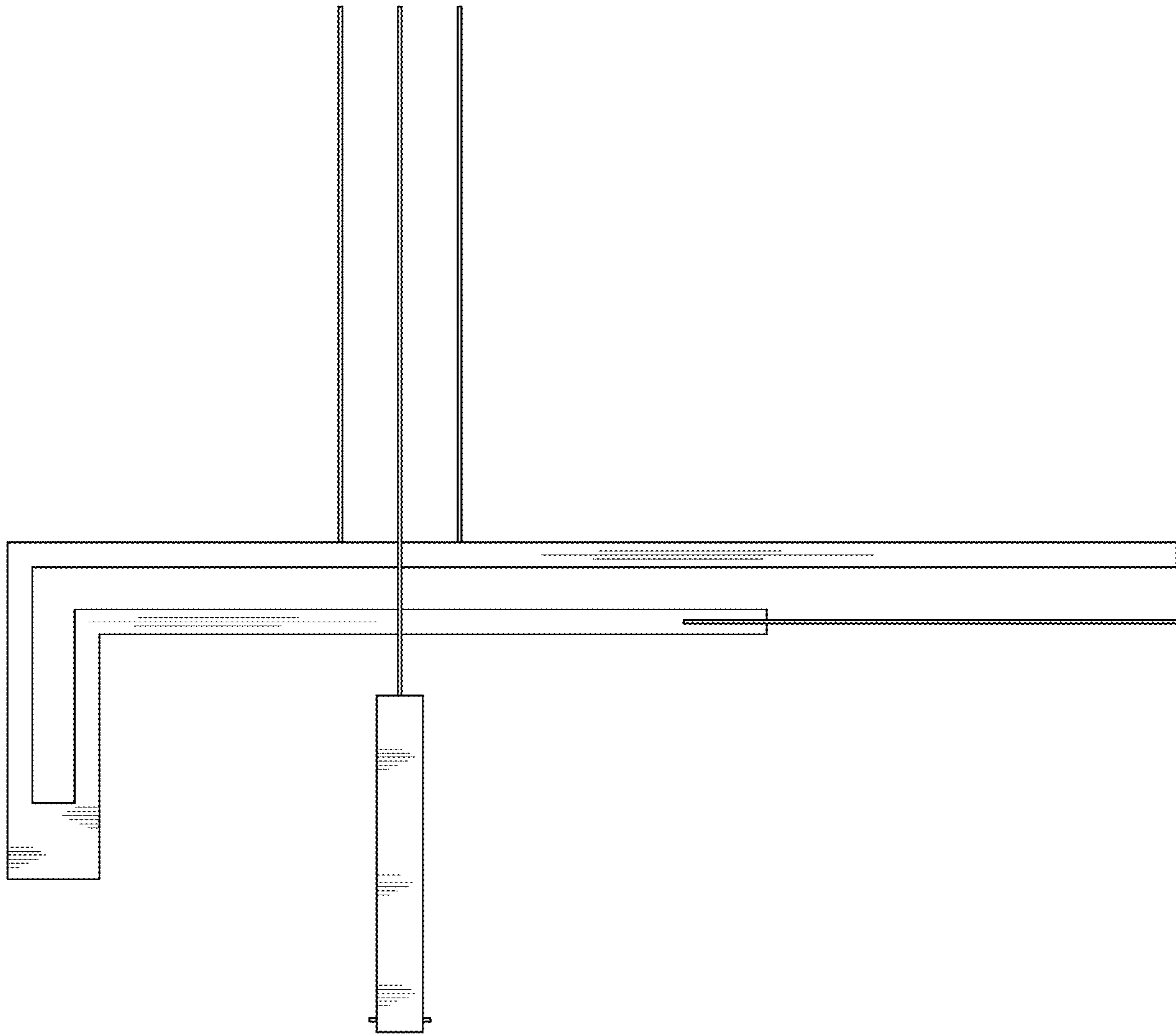


FIG. 8

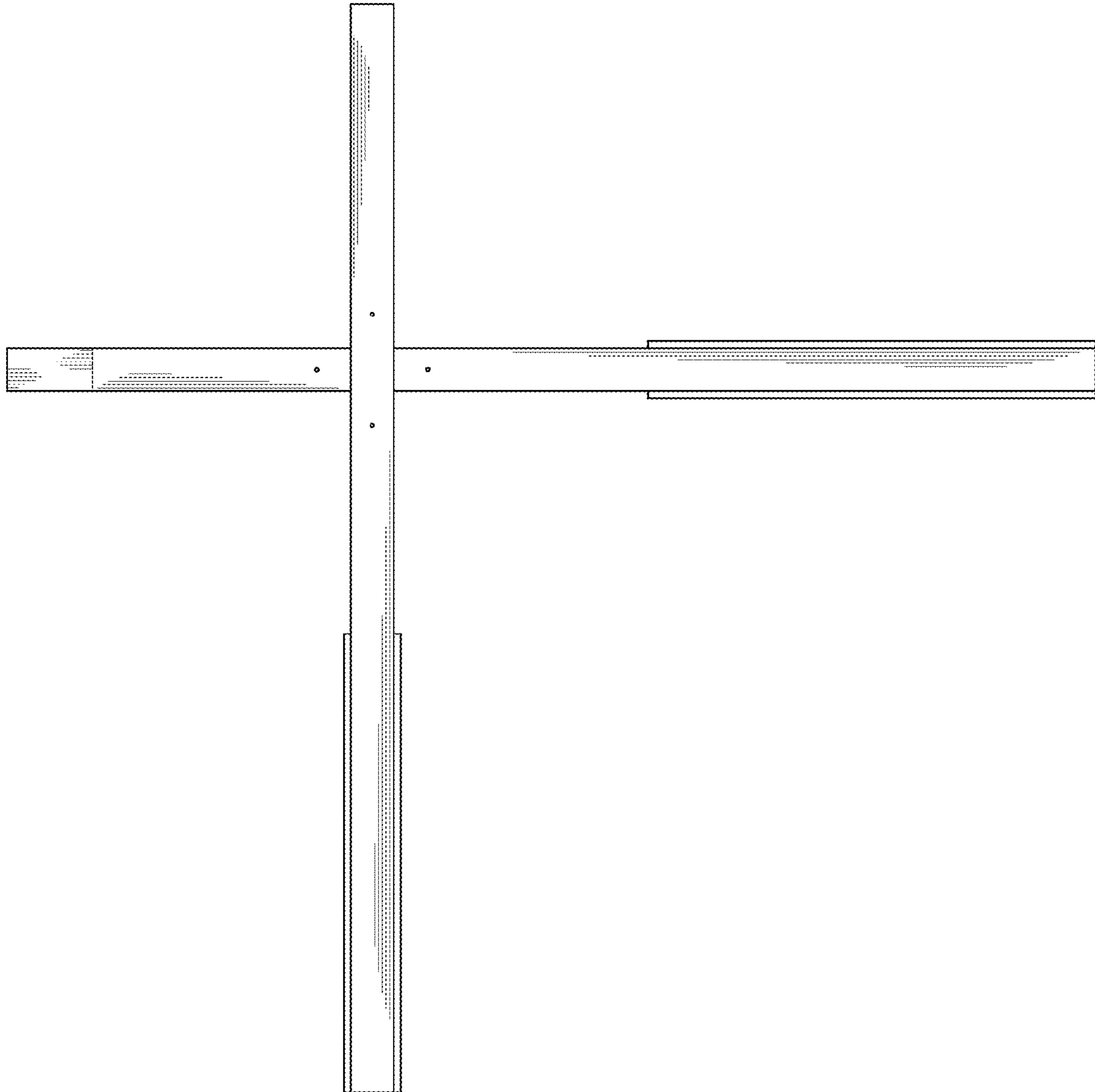


FIG. 9

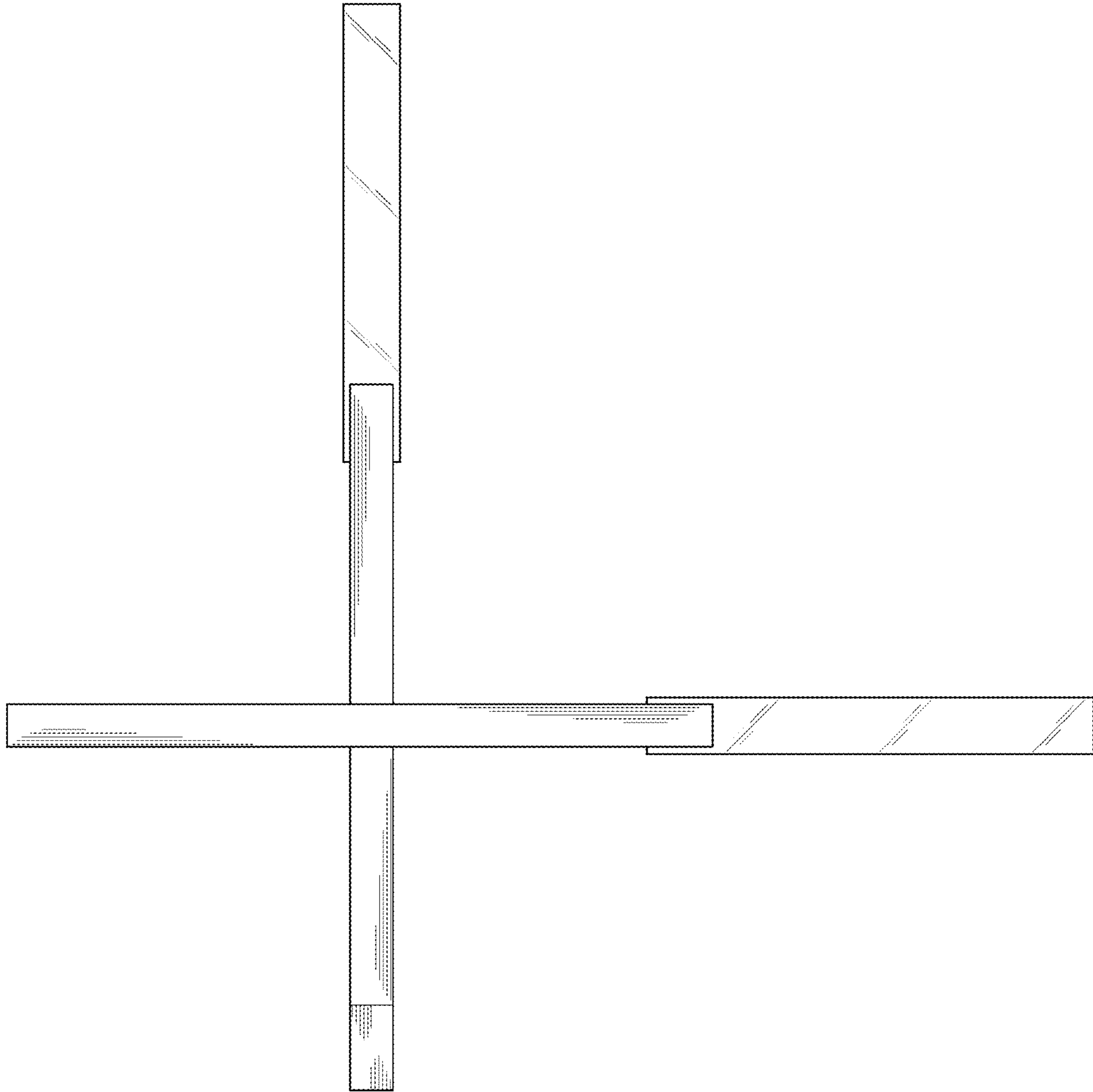


FIG. 10

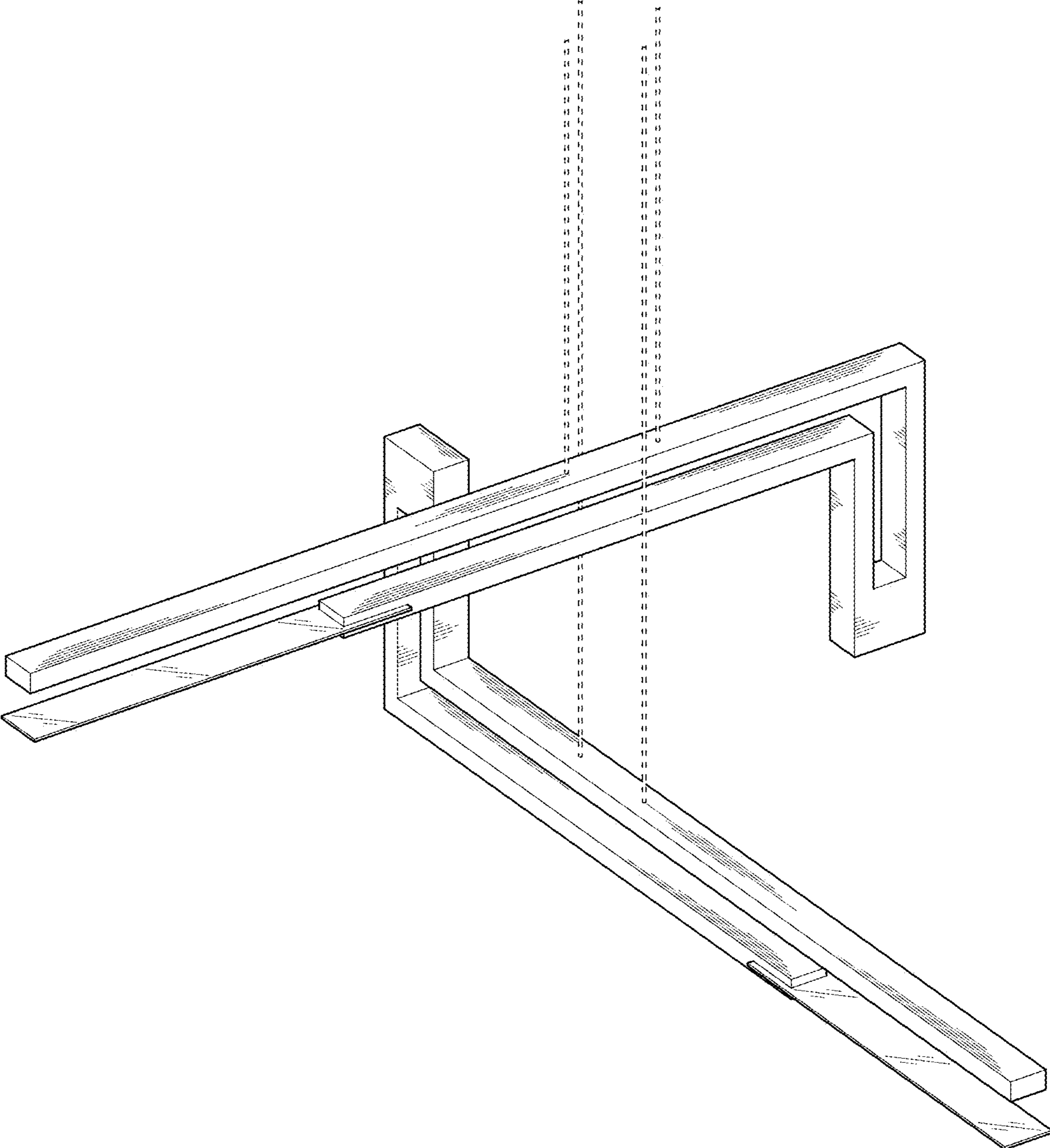


FIG. 11



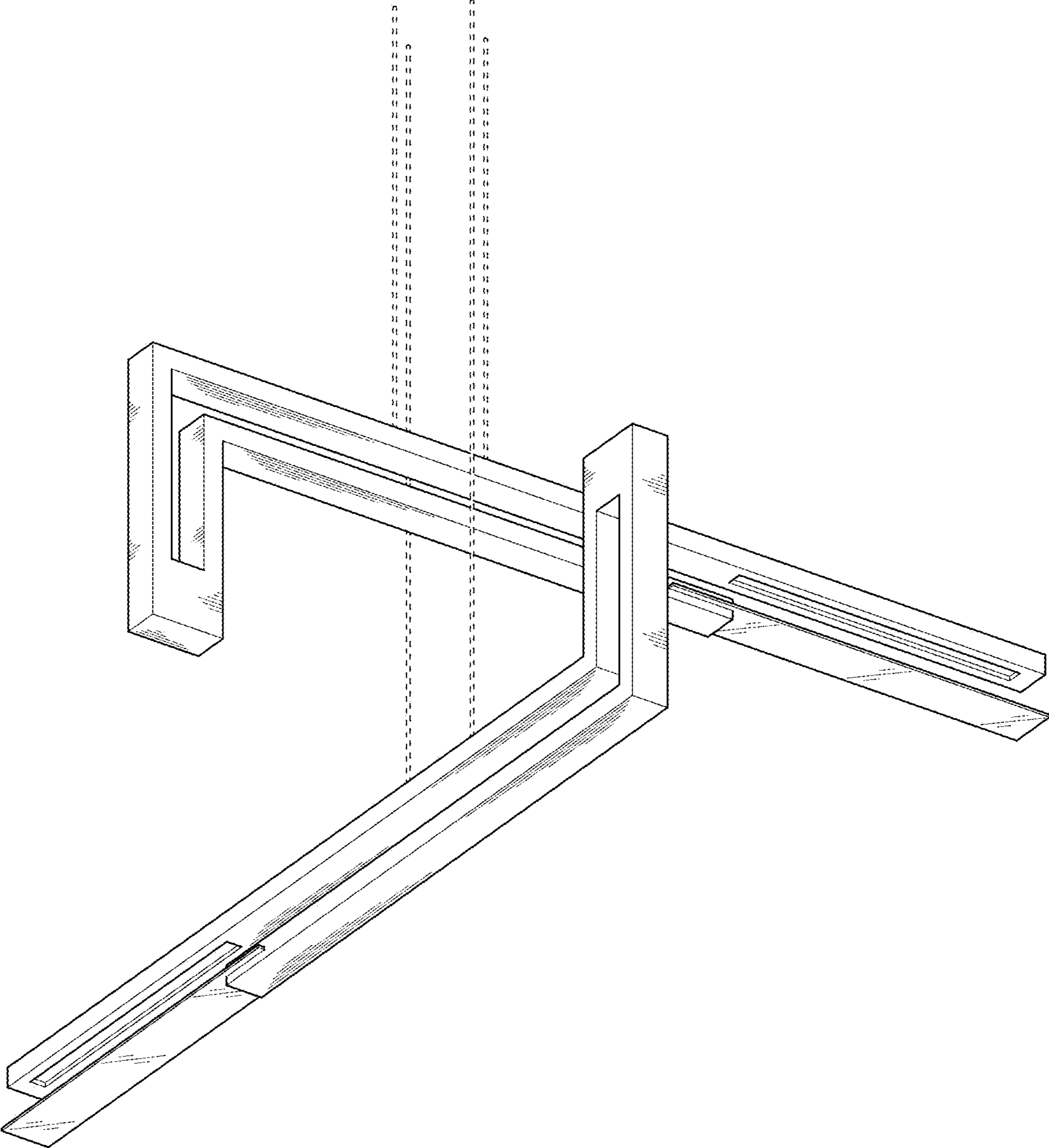


FIG. 12

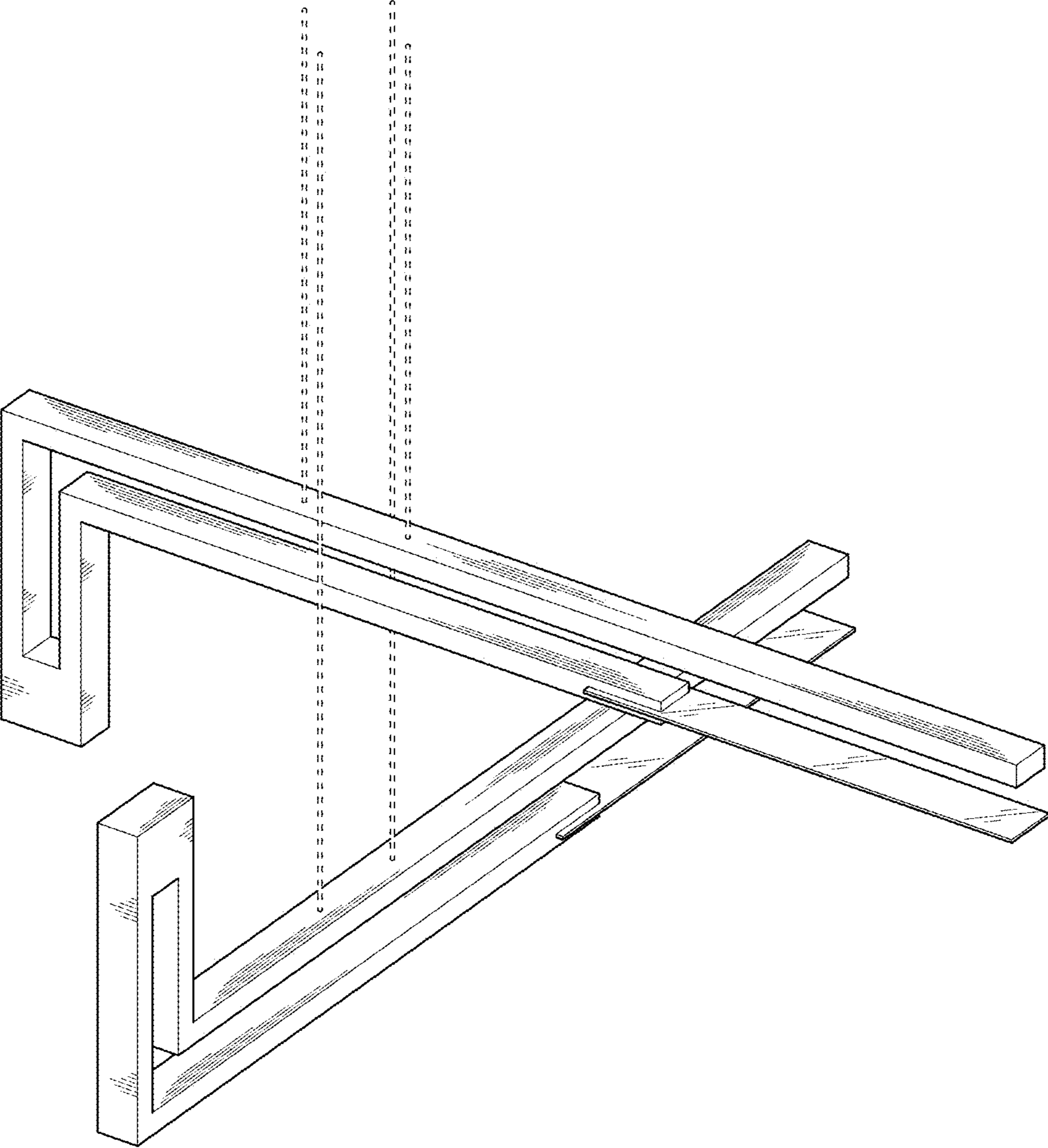


FIG. 13

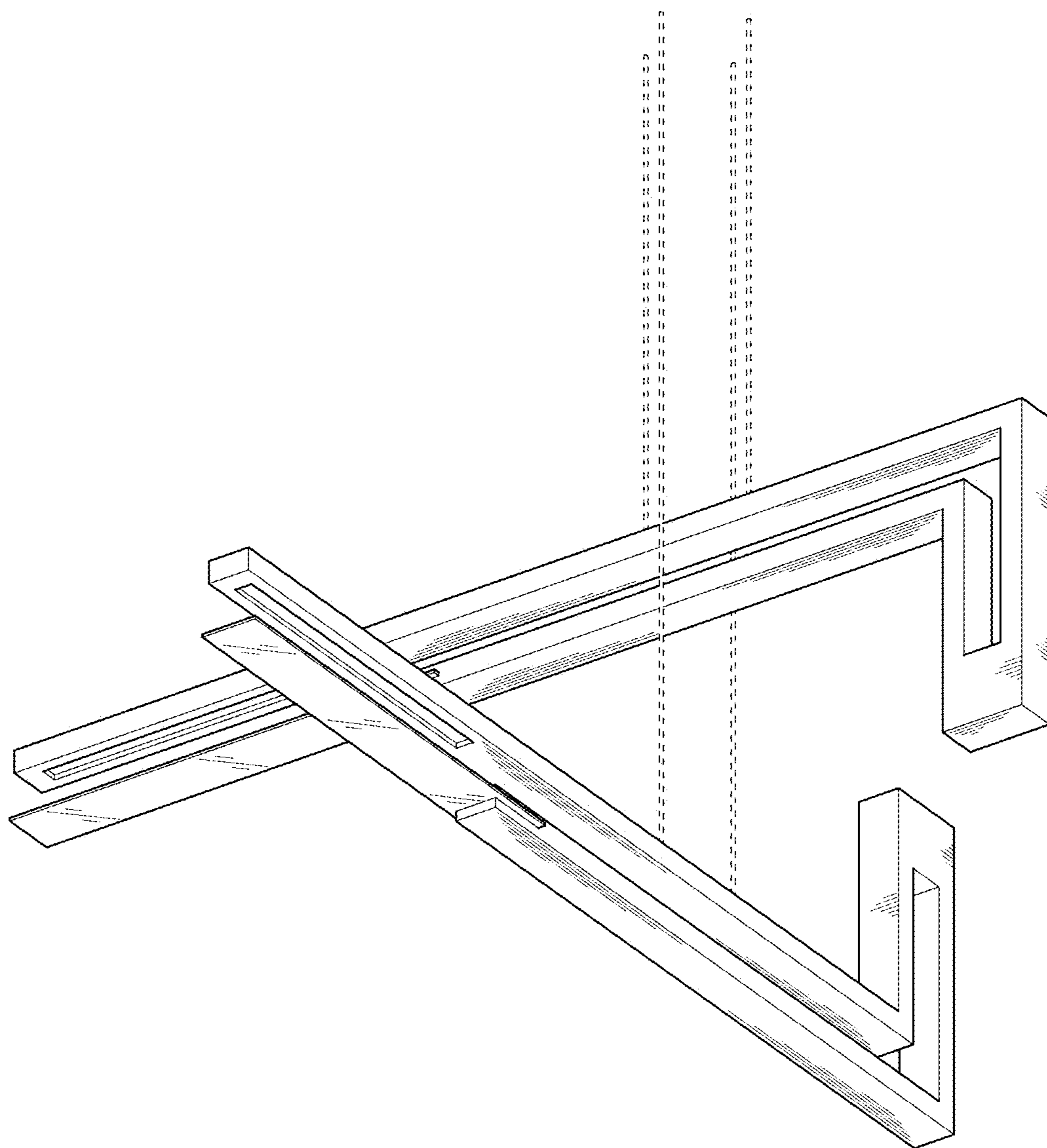


FIG. 14

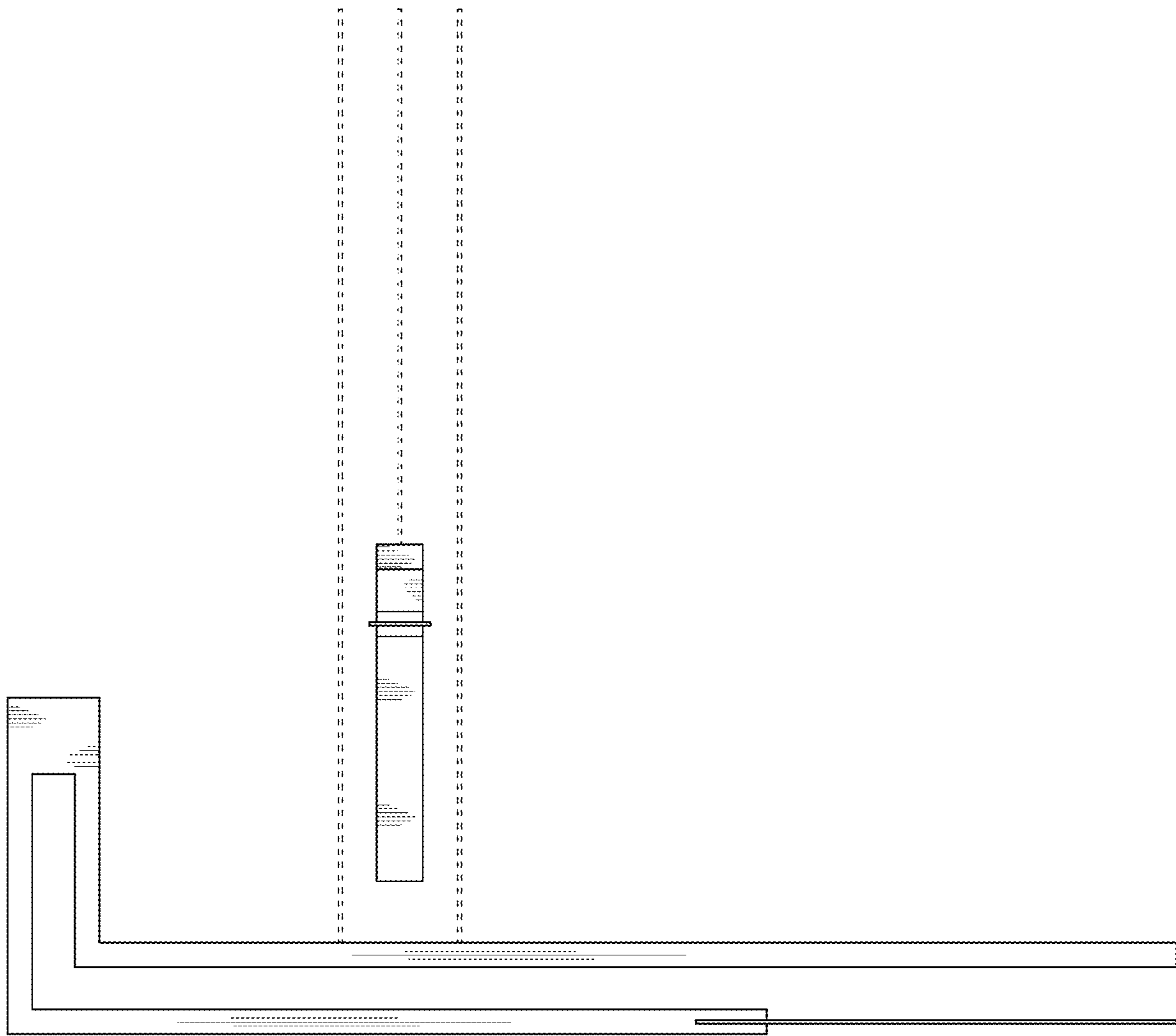


FIG. 15

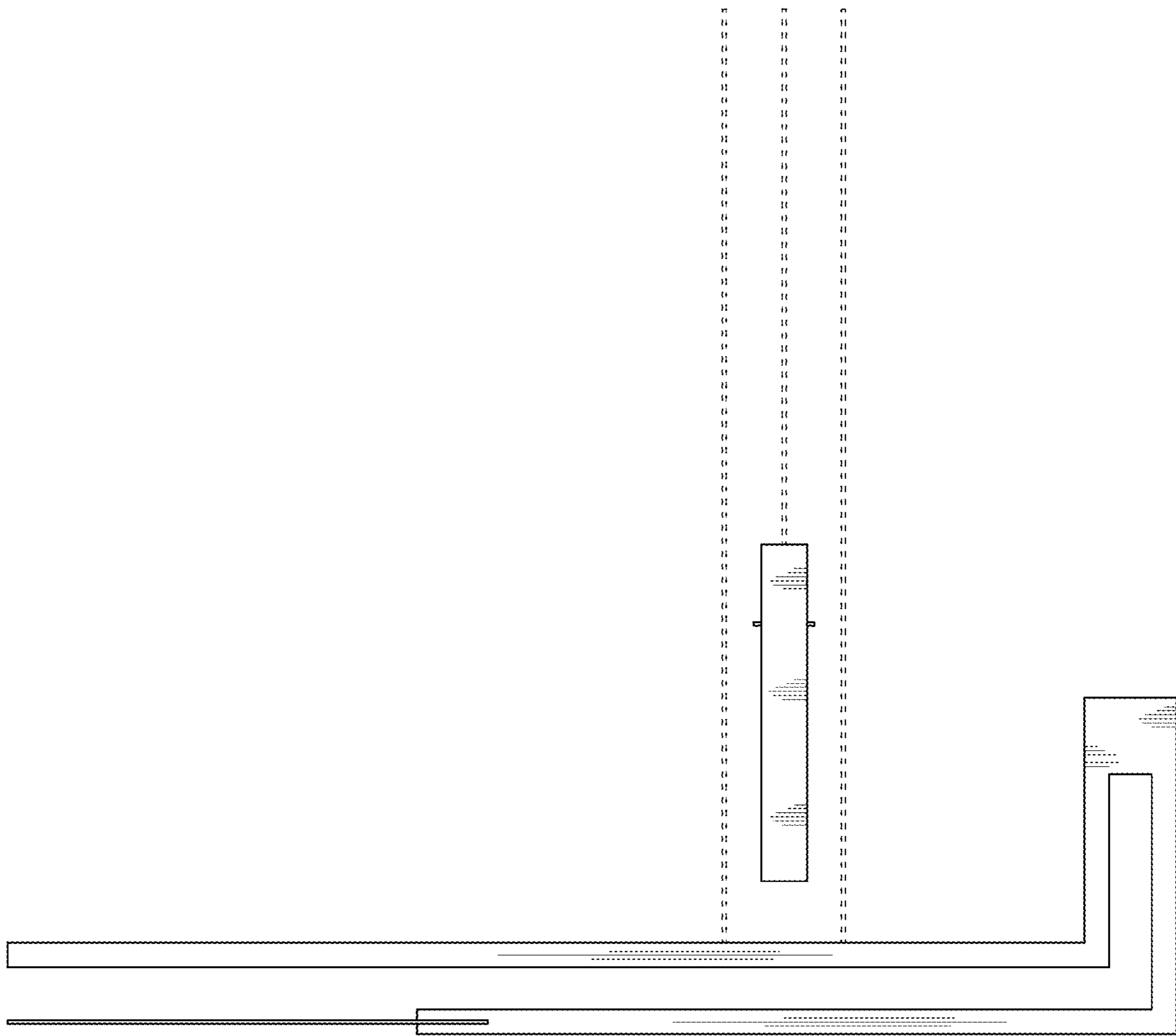


FIG. 16



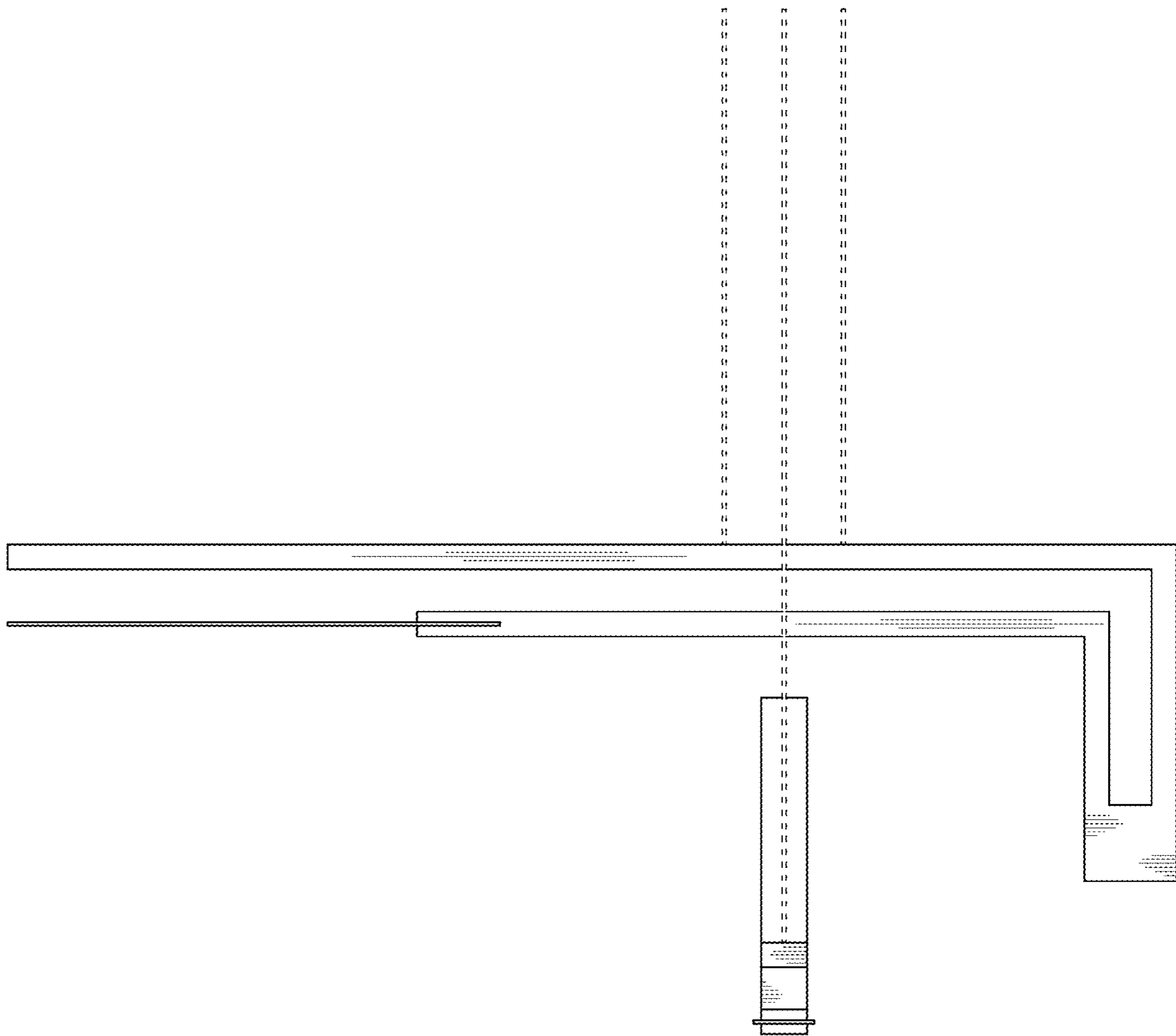


FIG. 17

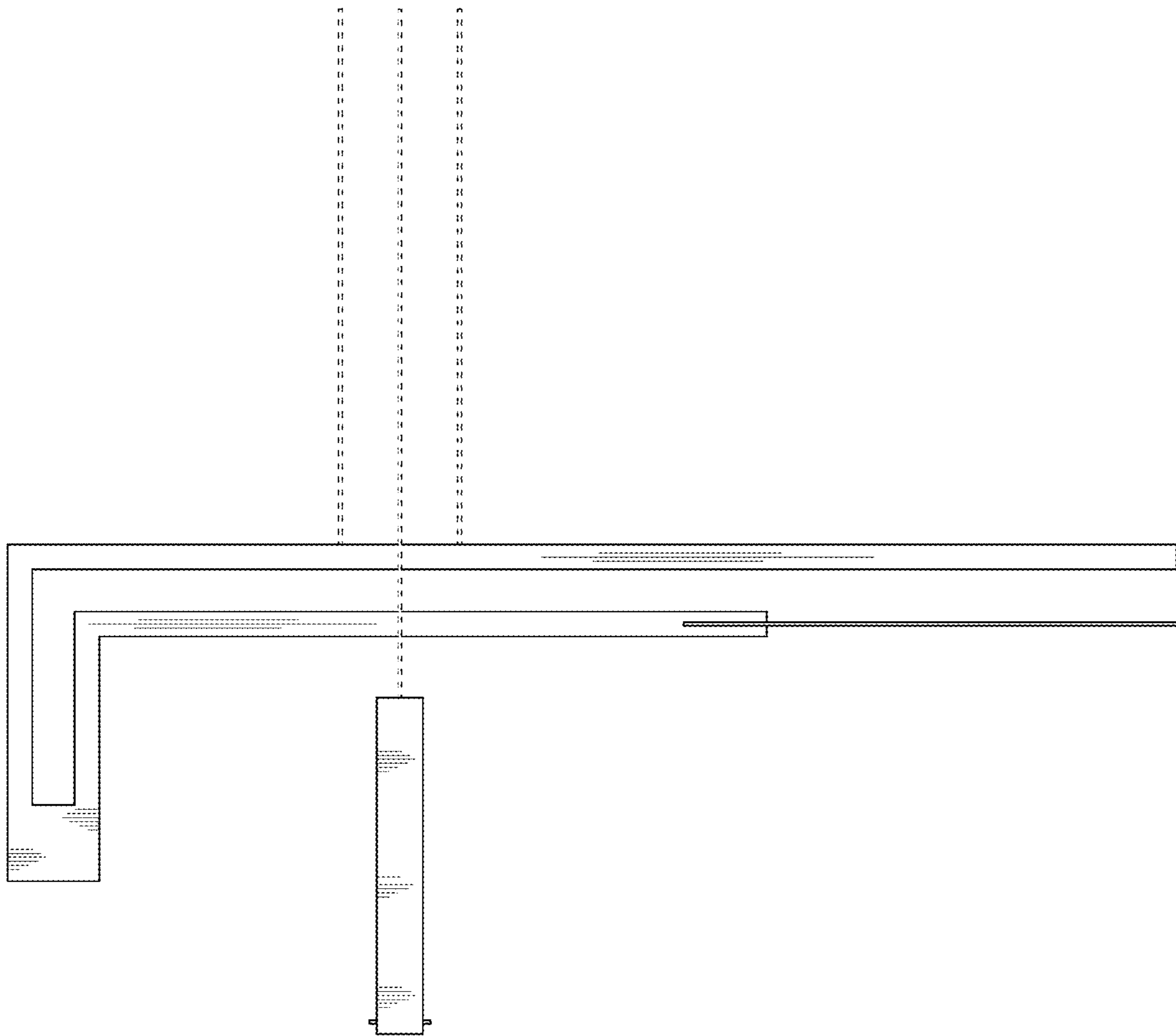


FIG. 18



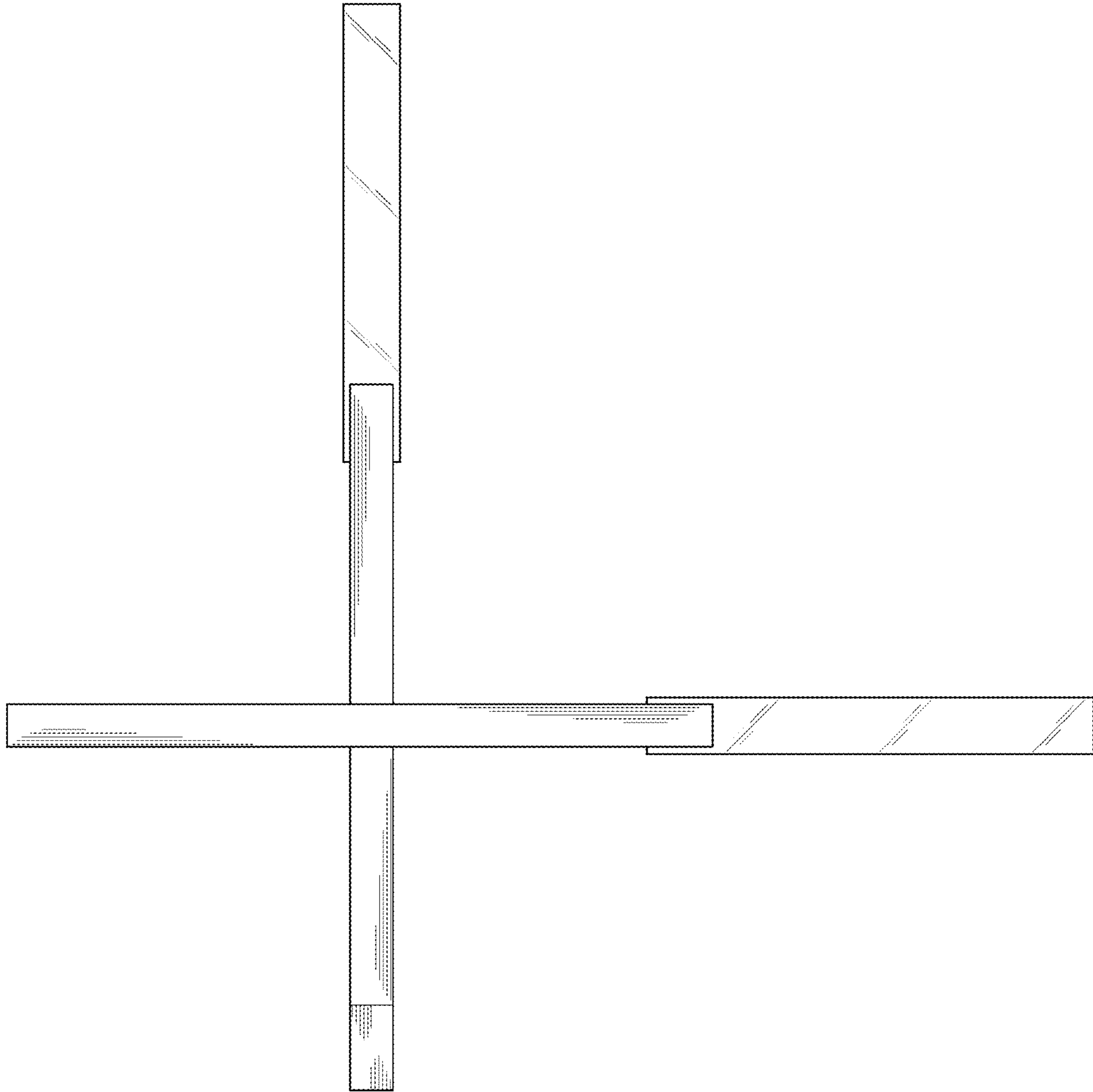


FIG. 20

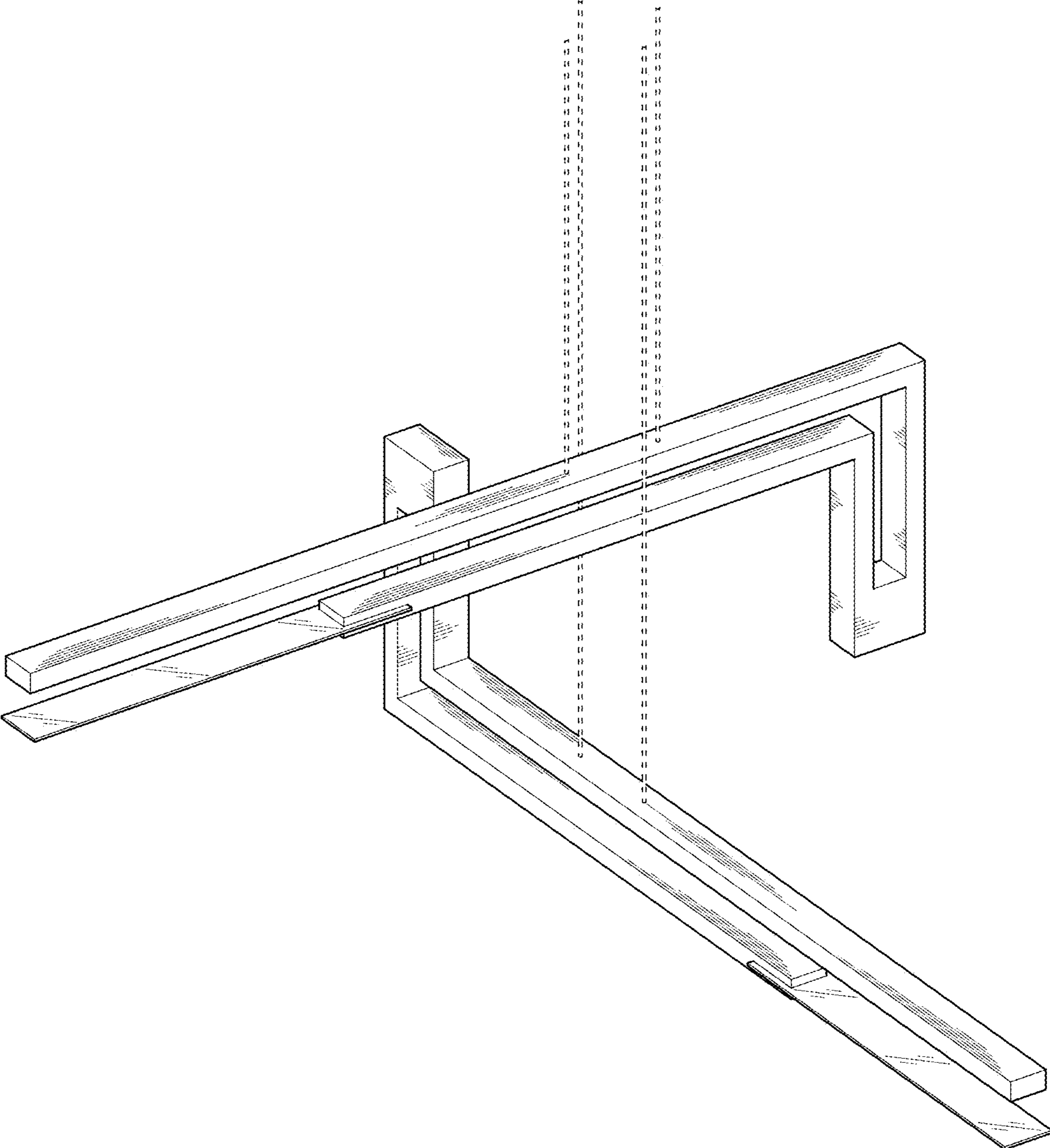


FIG. 21



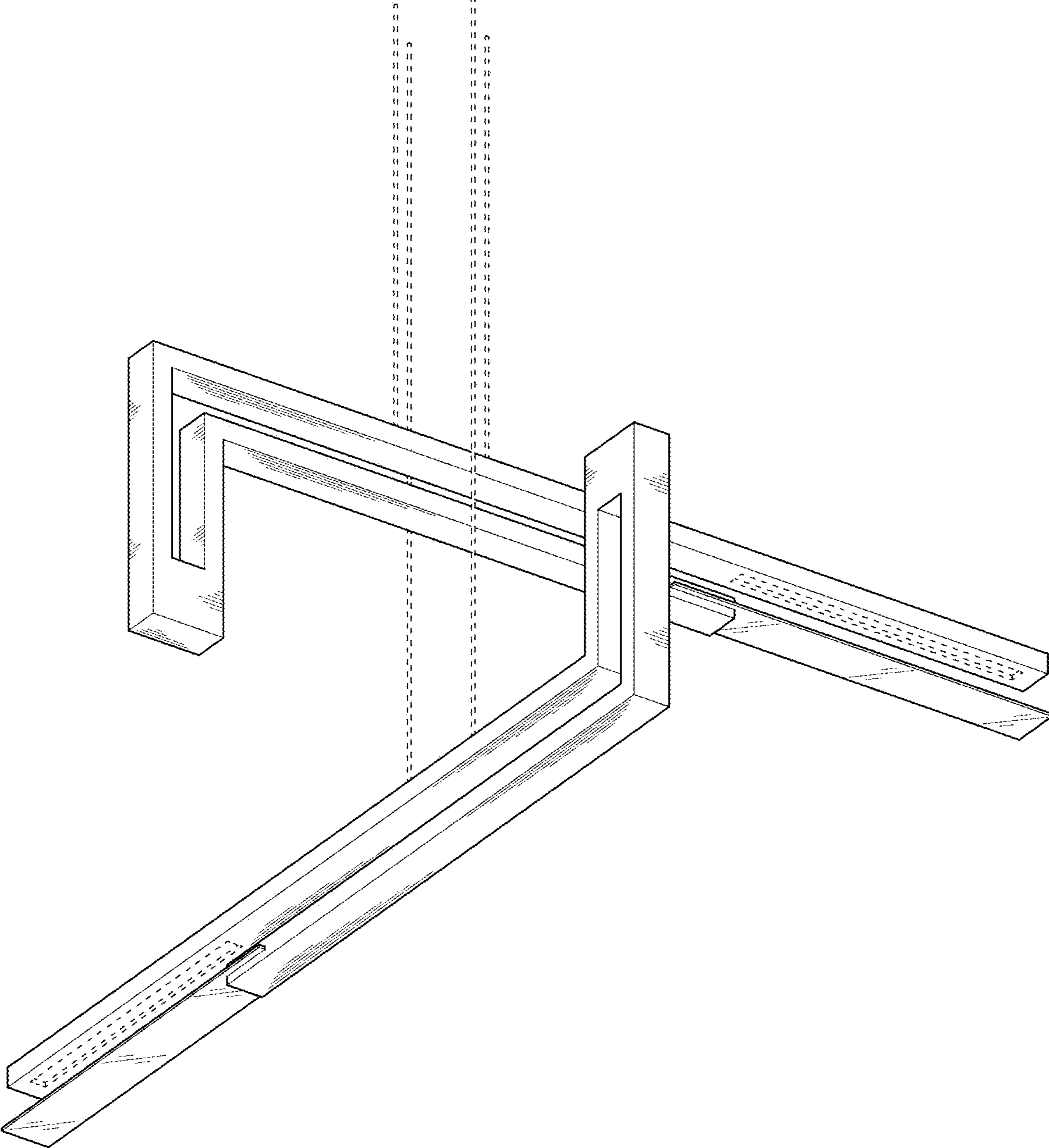


FIG. 22

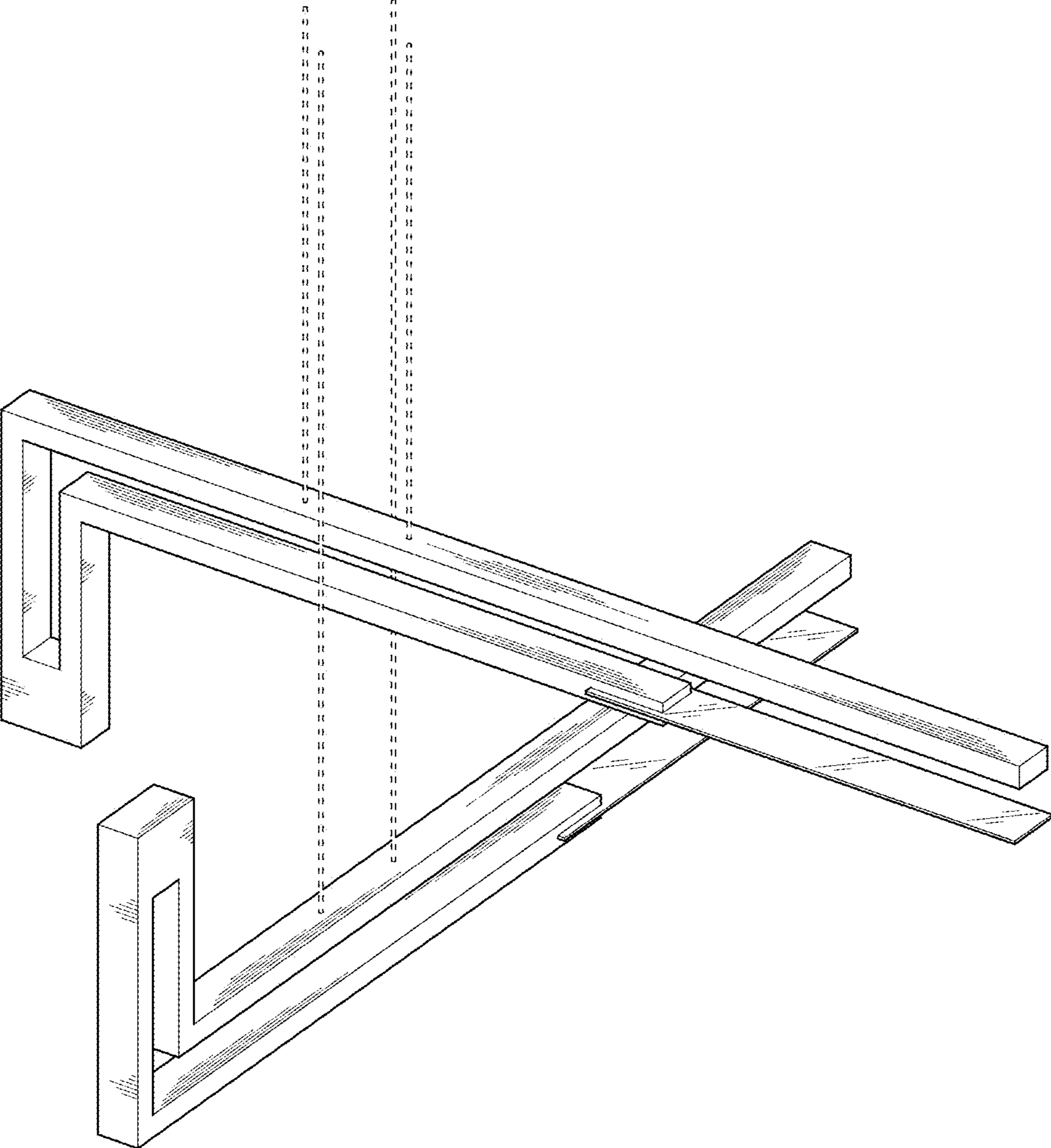


FIG. 23

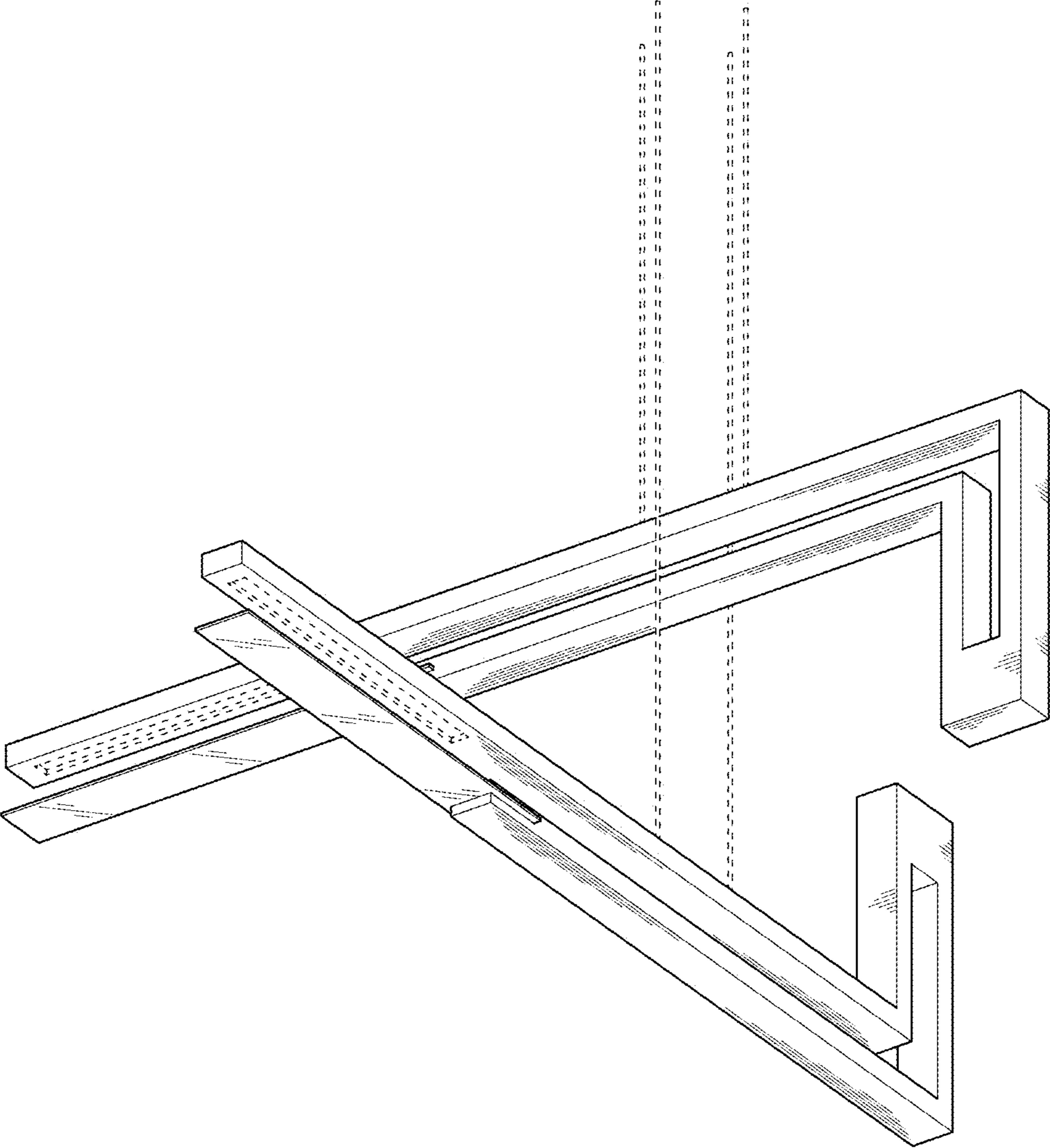


FIG. 24

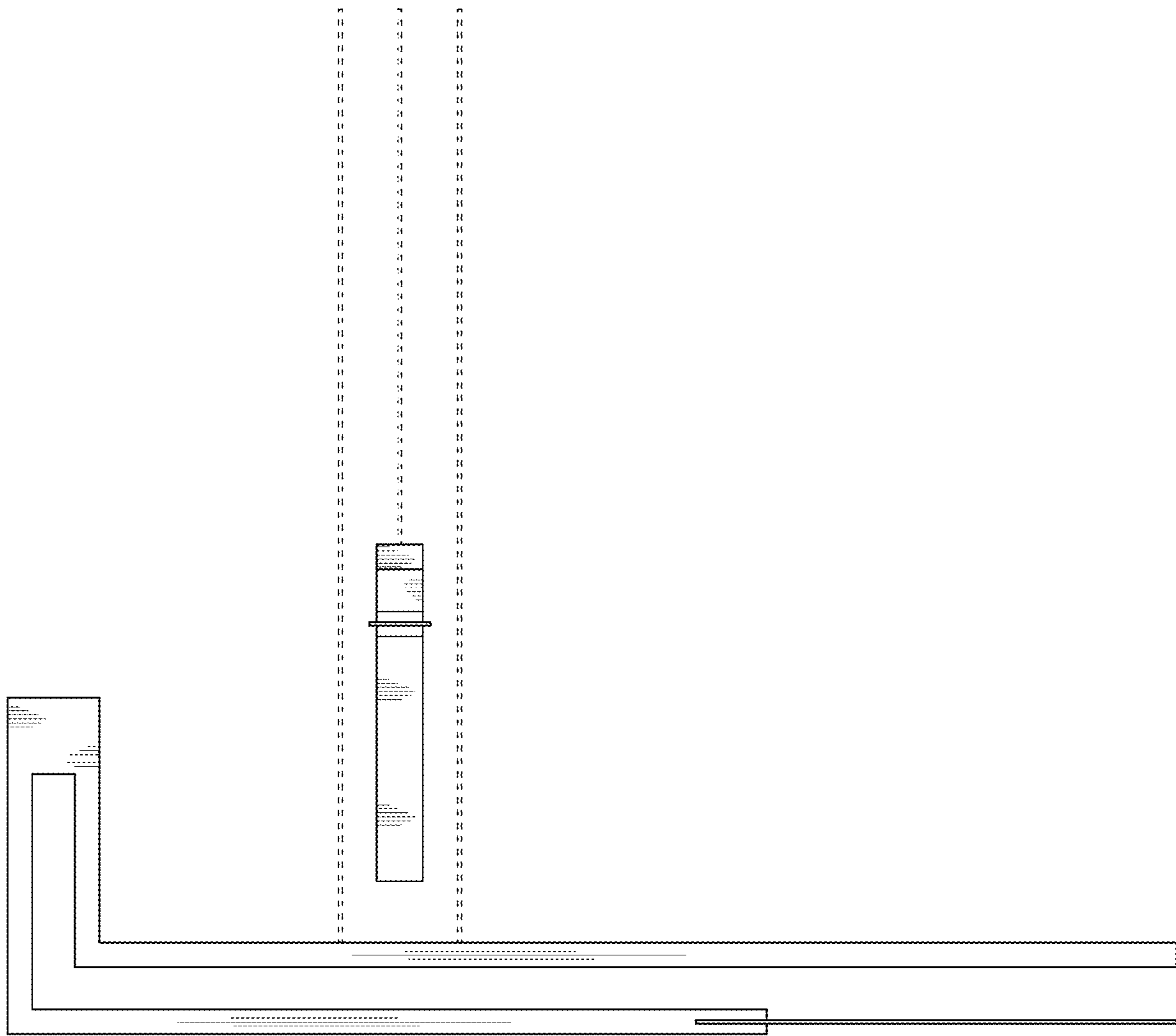


FIG. 25

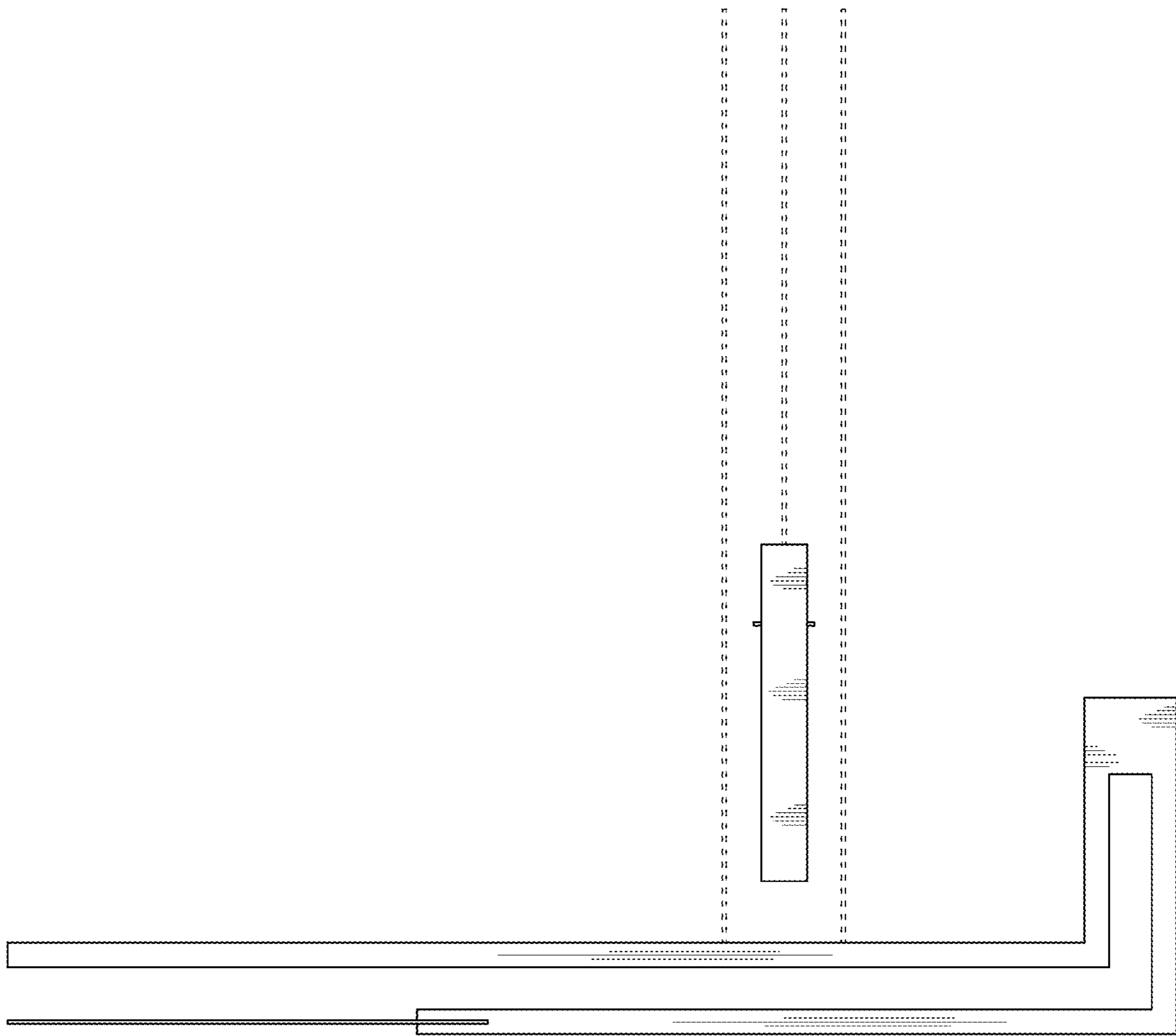


FIG. 26



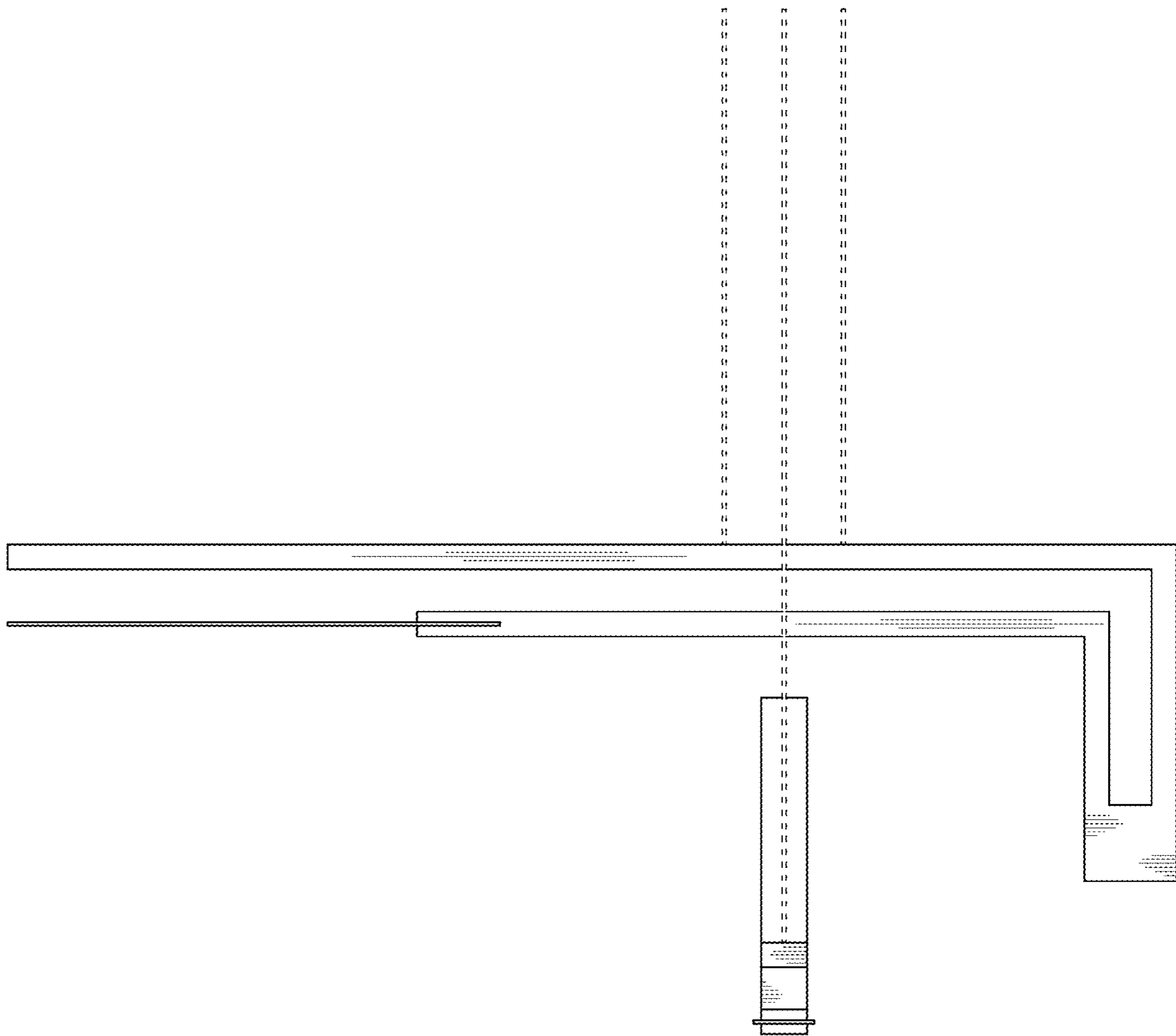


FIG. 27

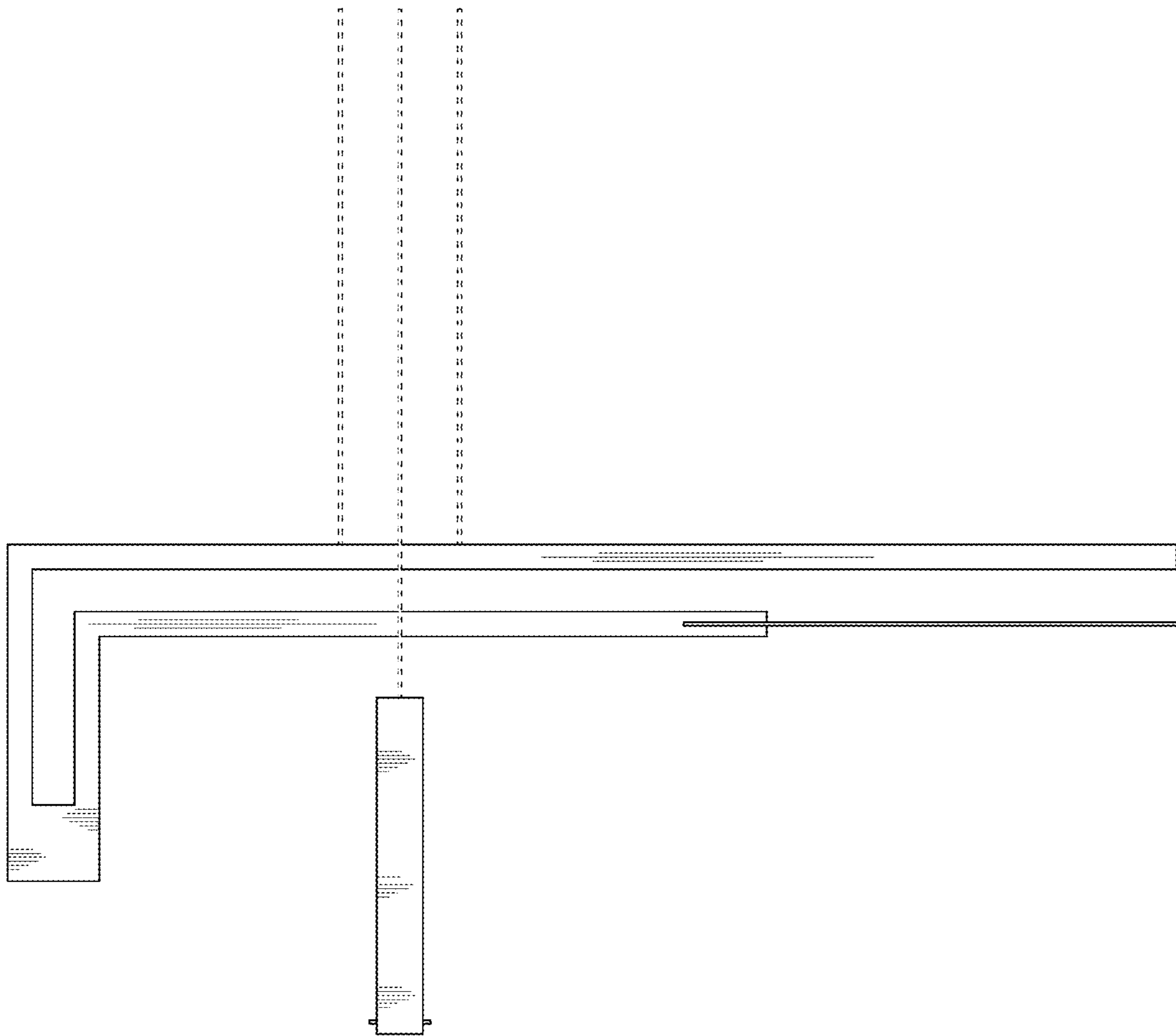


FIG. 28

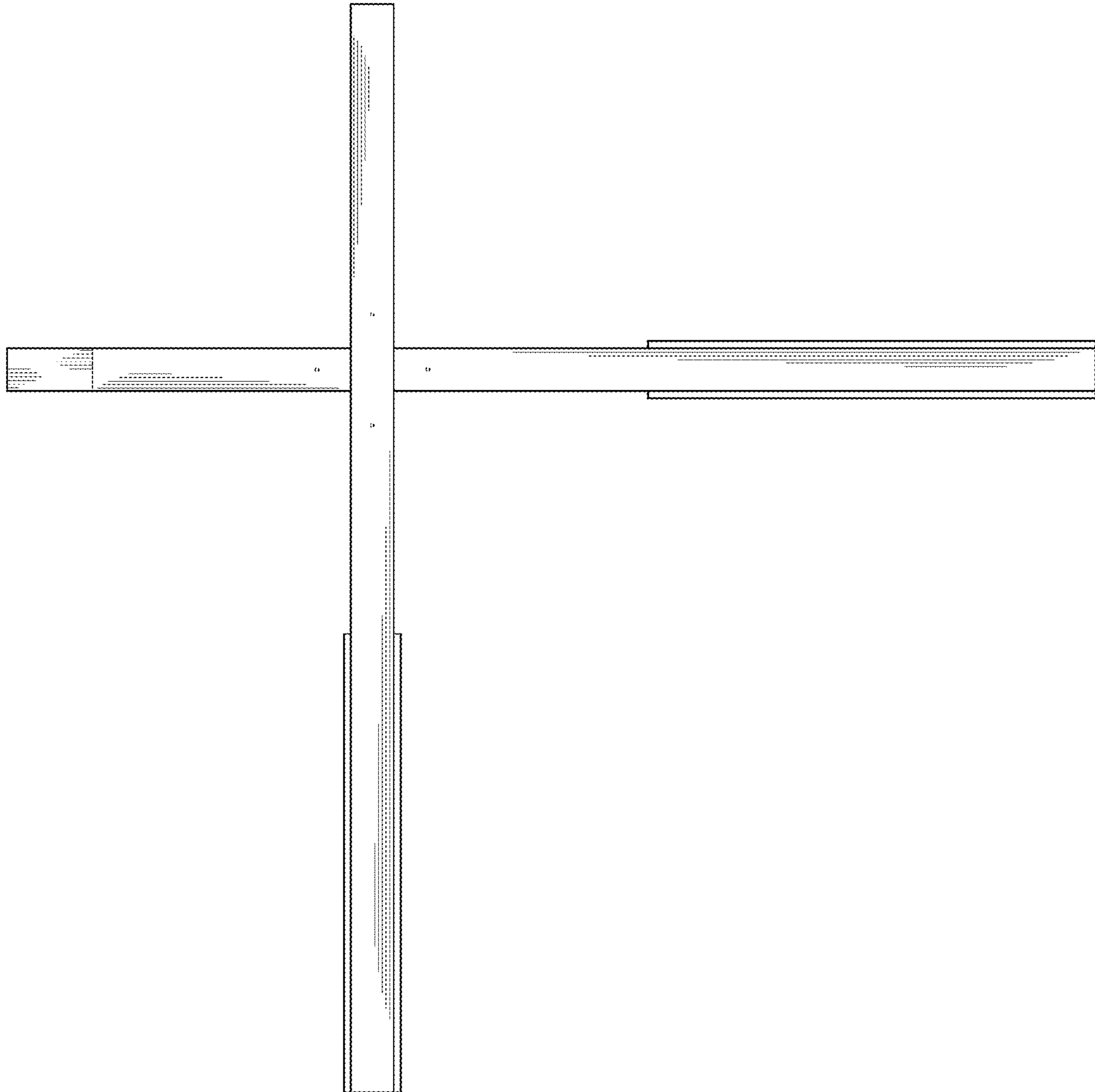


FIG. 29

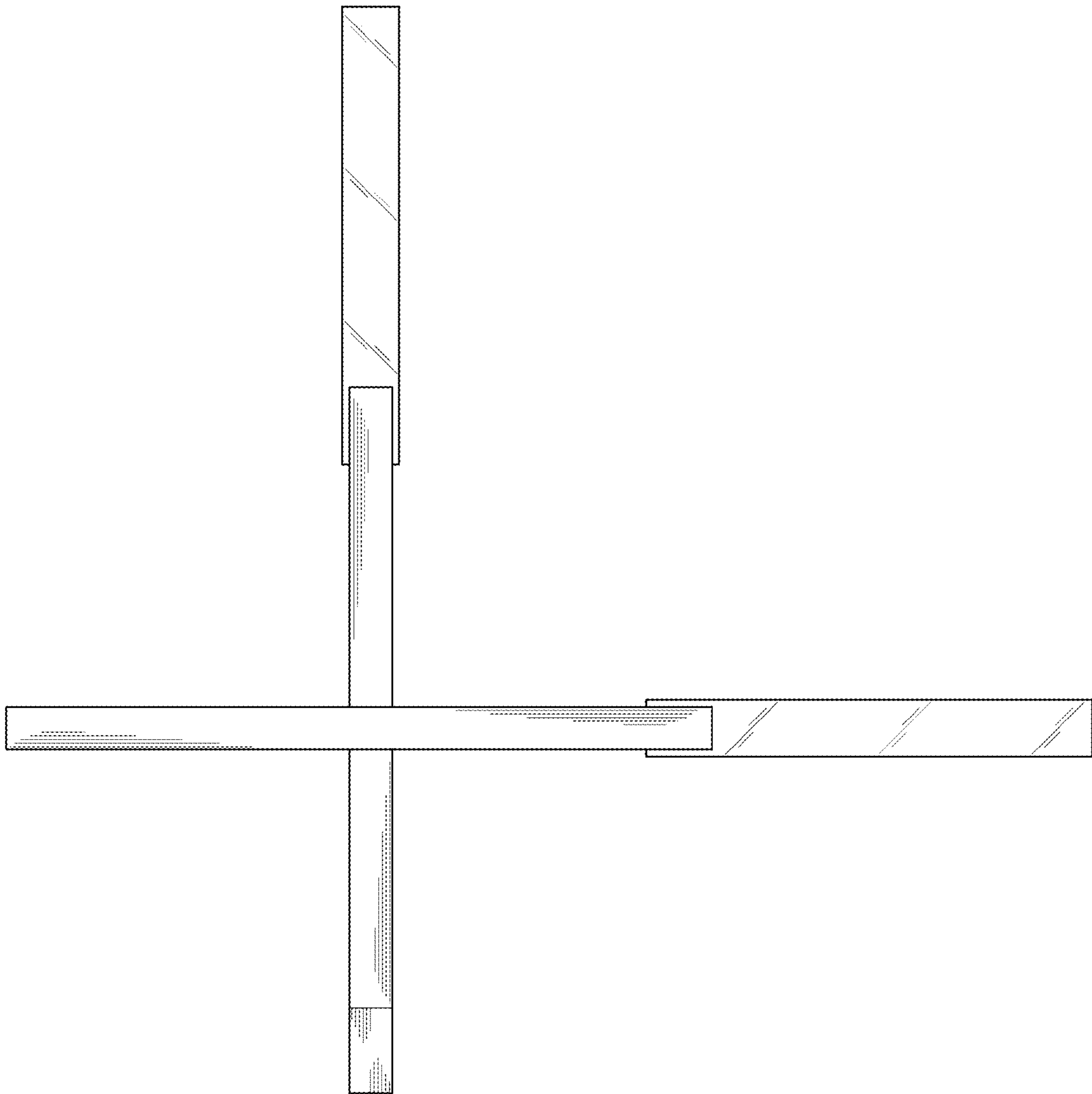


FIG. 30

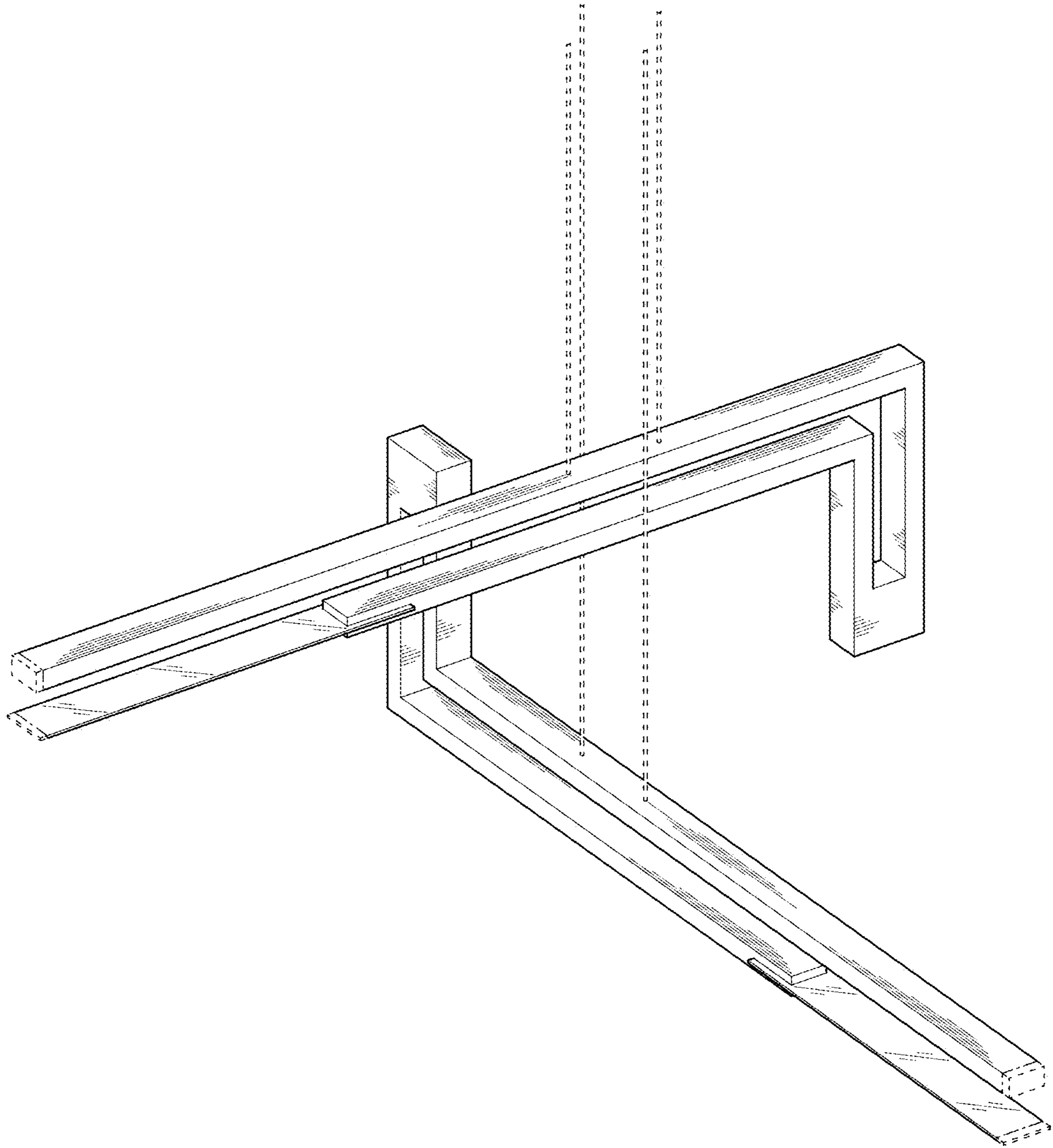


FIG. 31

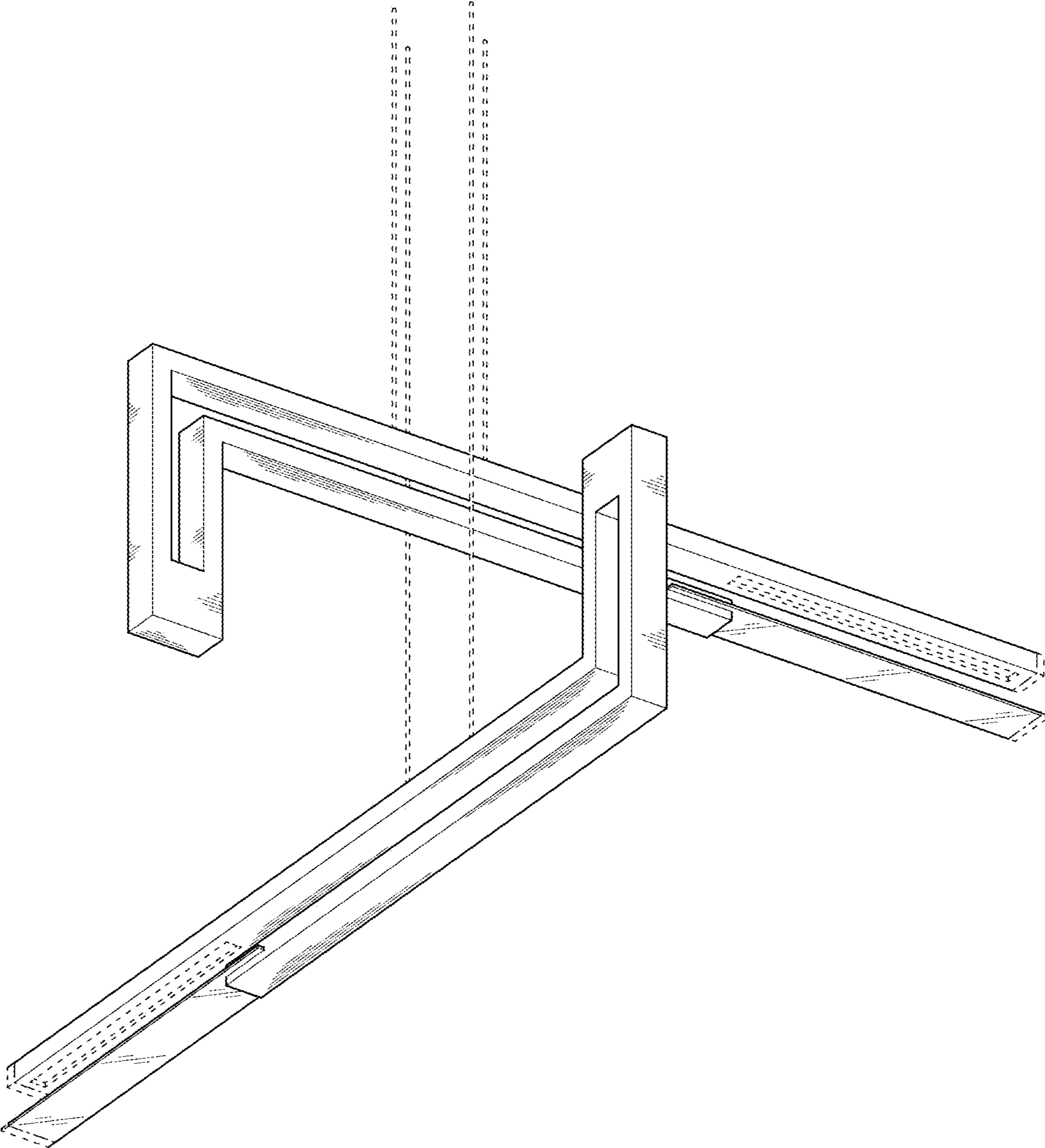


FIG. 32

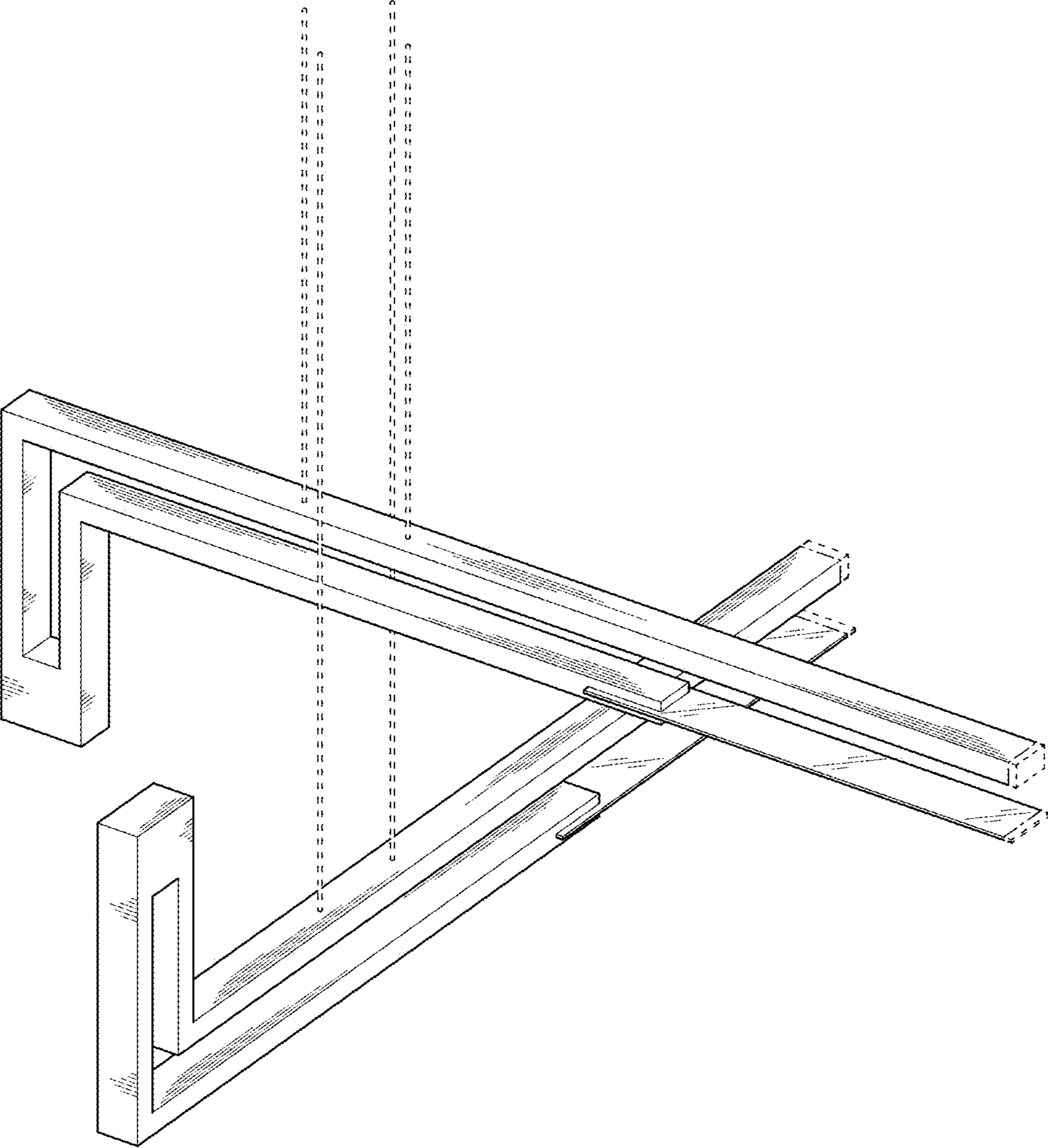


FIG. 33



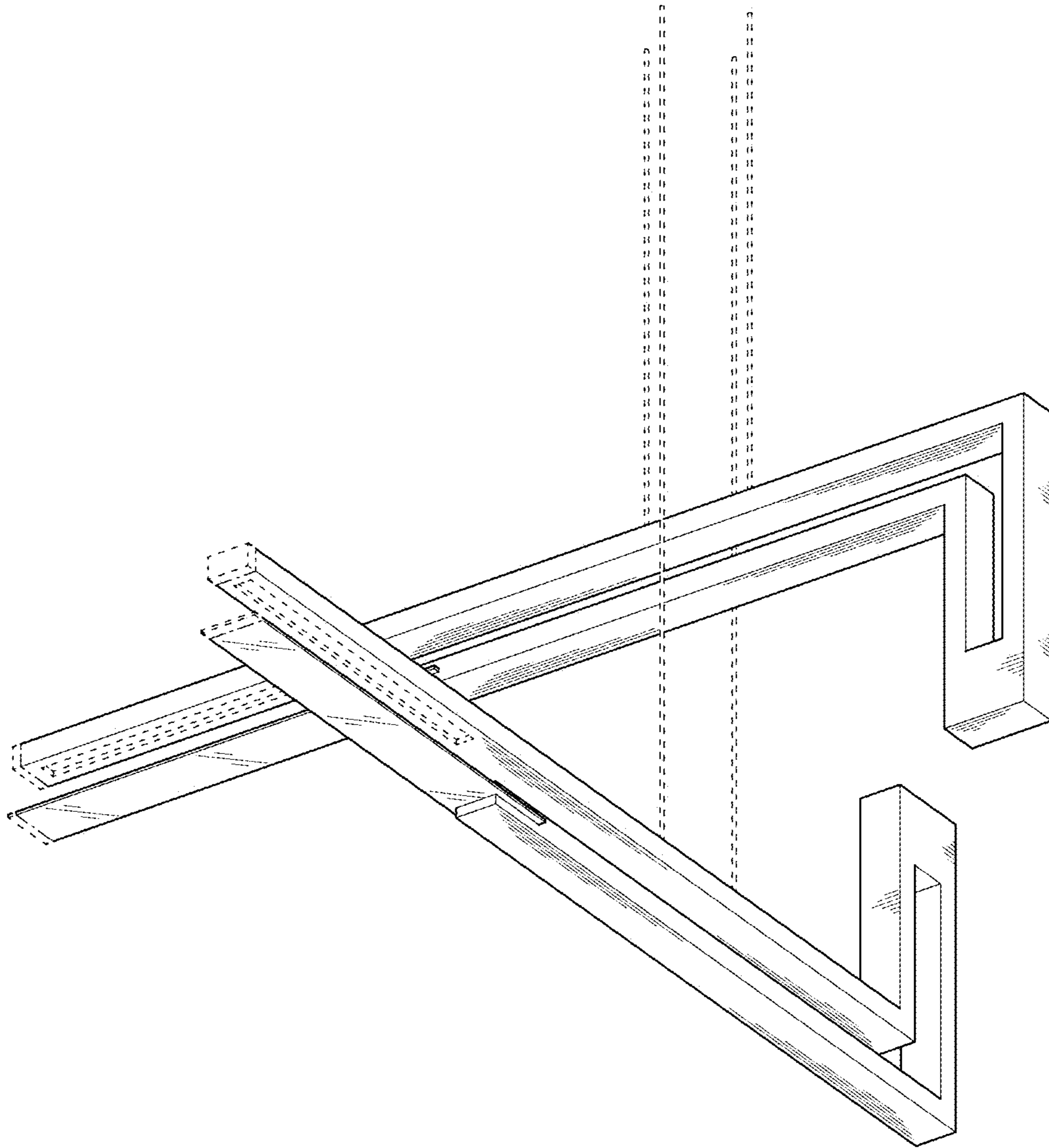


FIG. 34

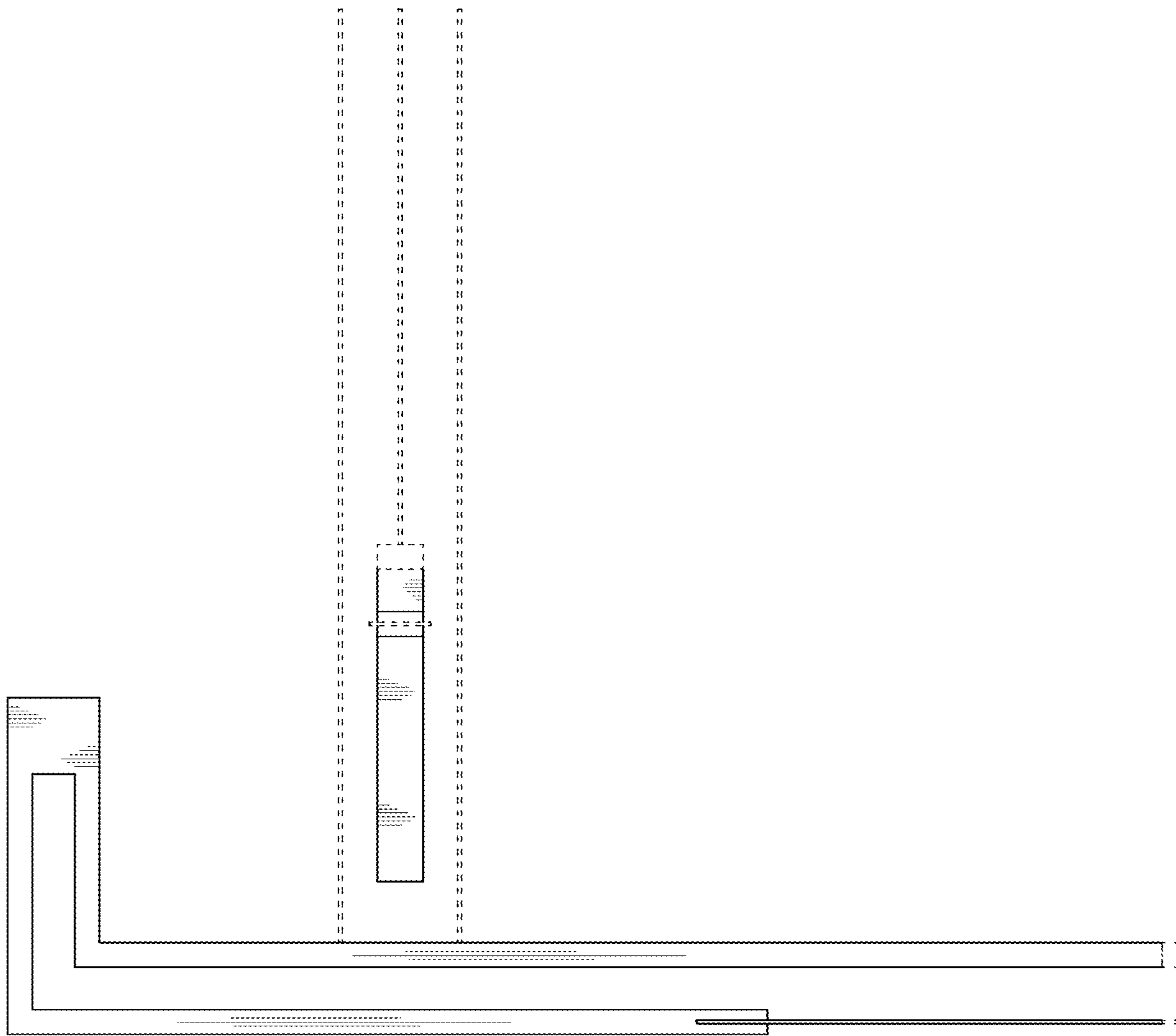


FIG. 35

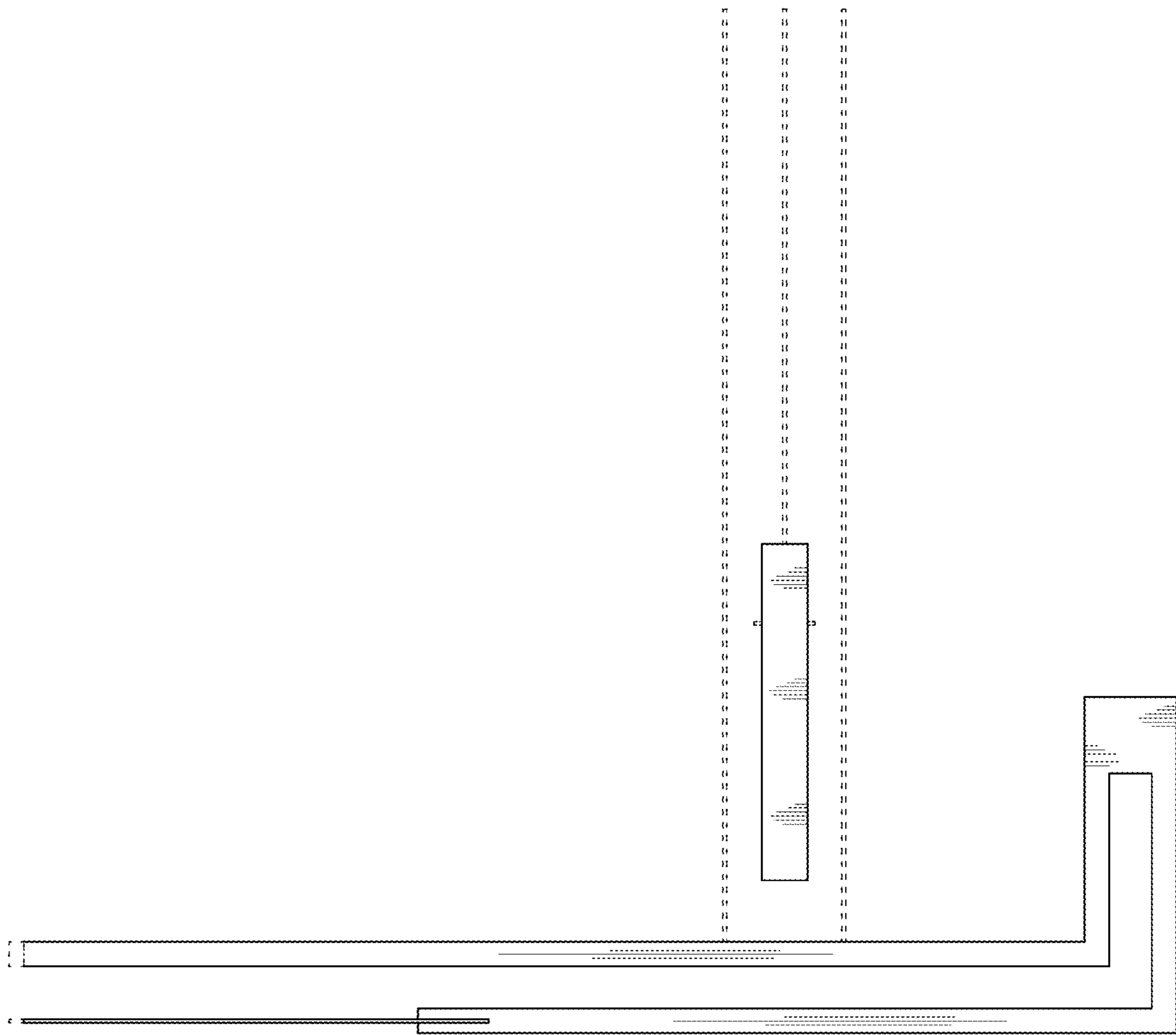


FIG. 36



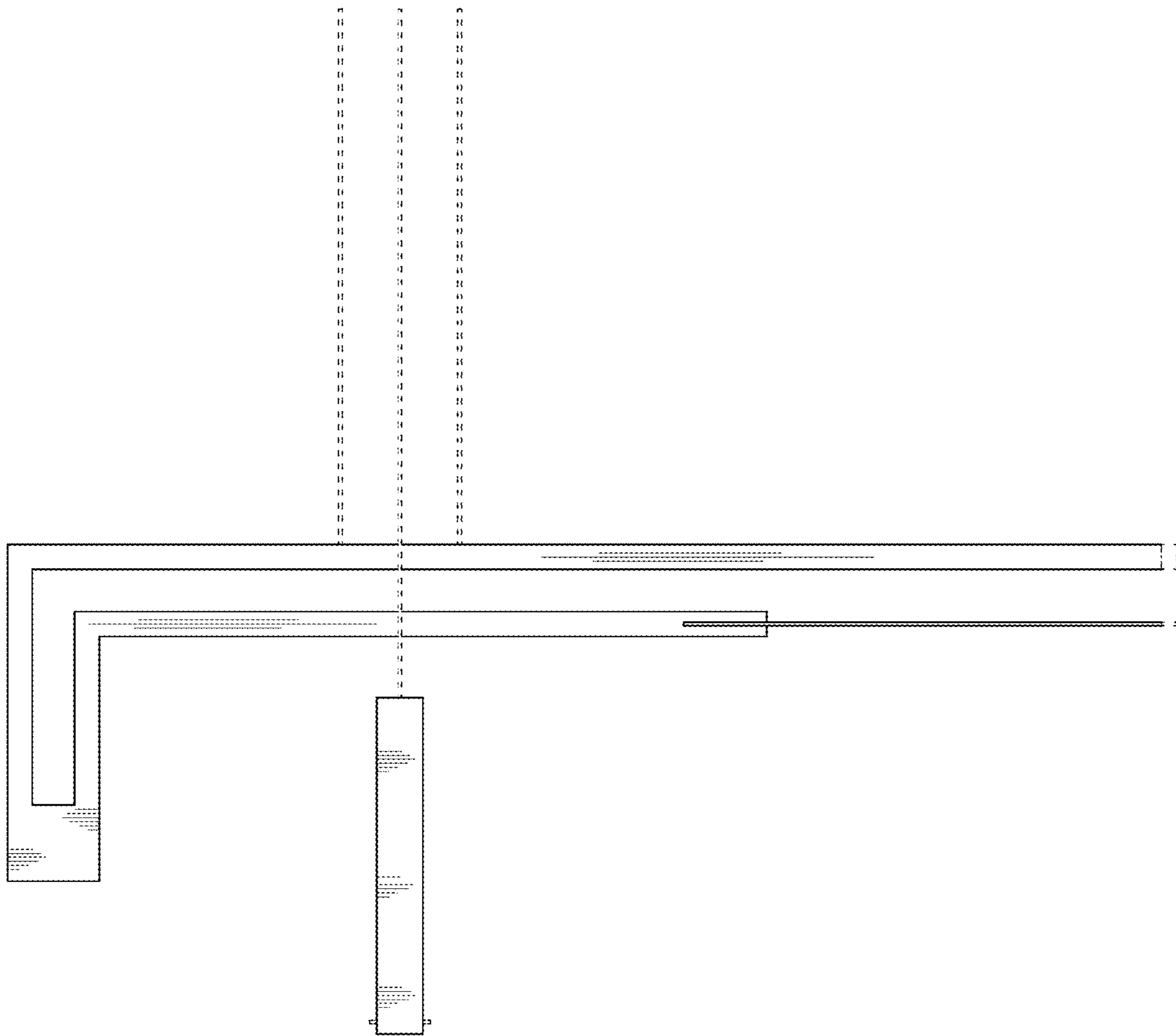


FIG. 38

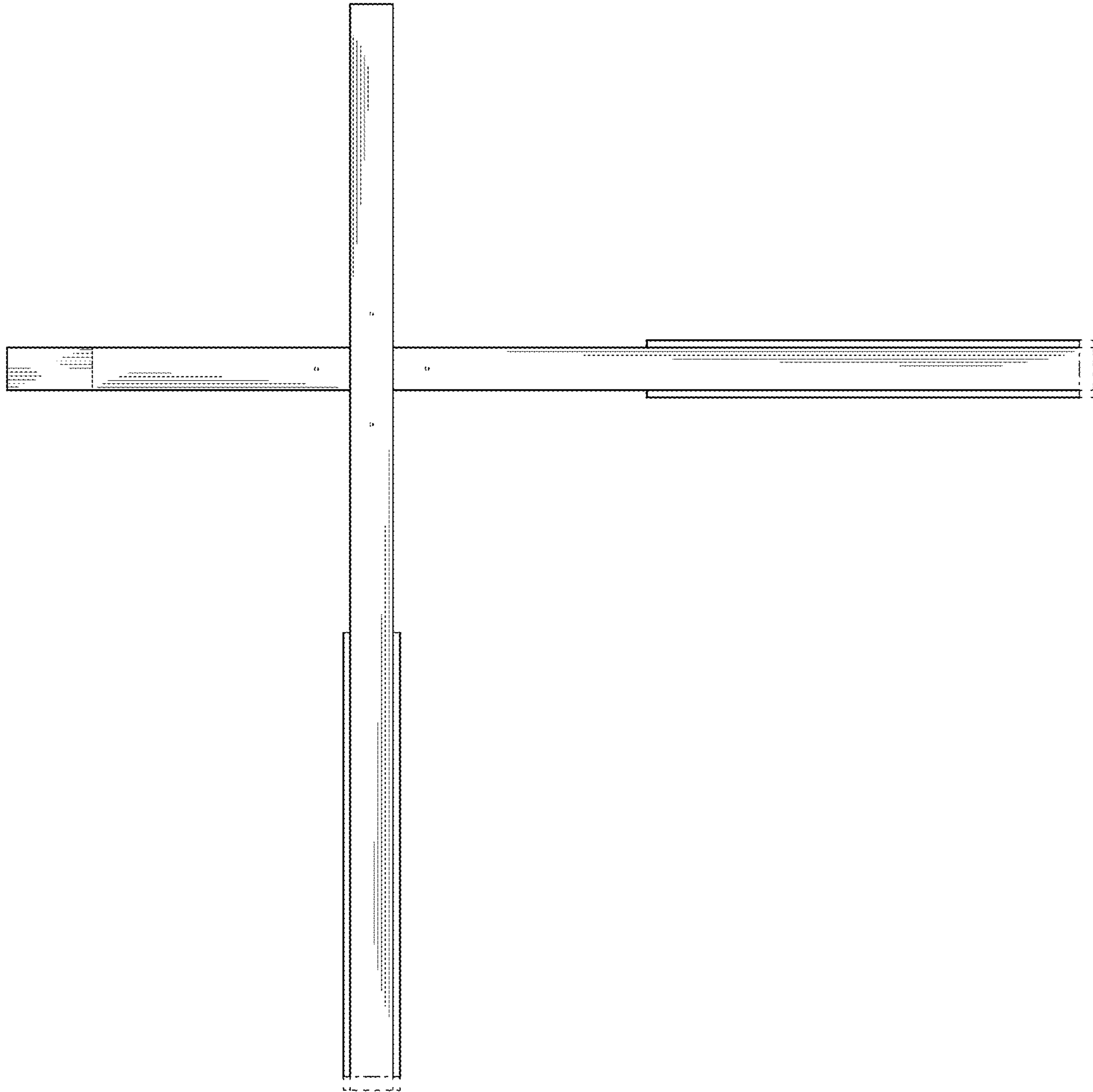


FIG. 39

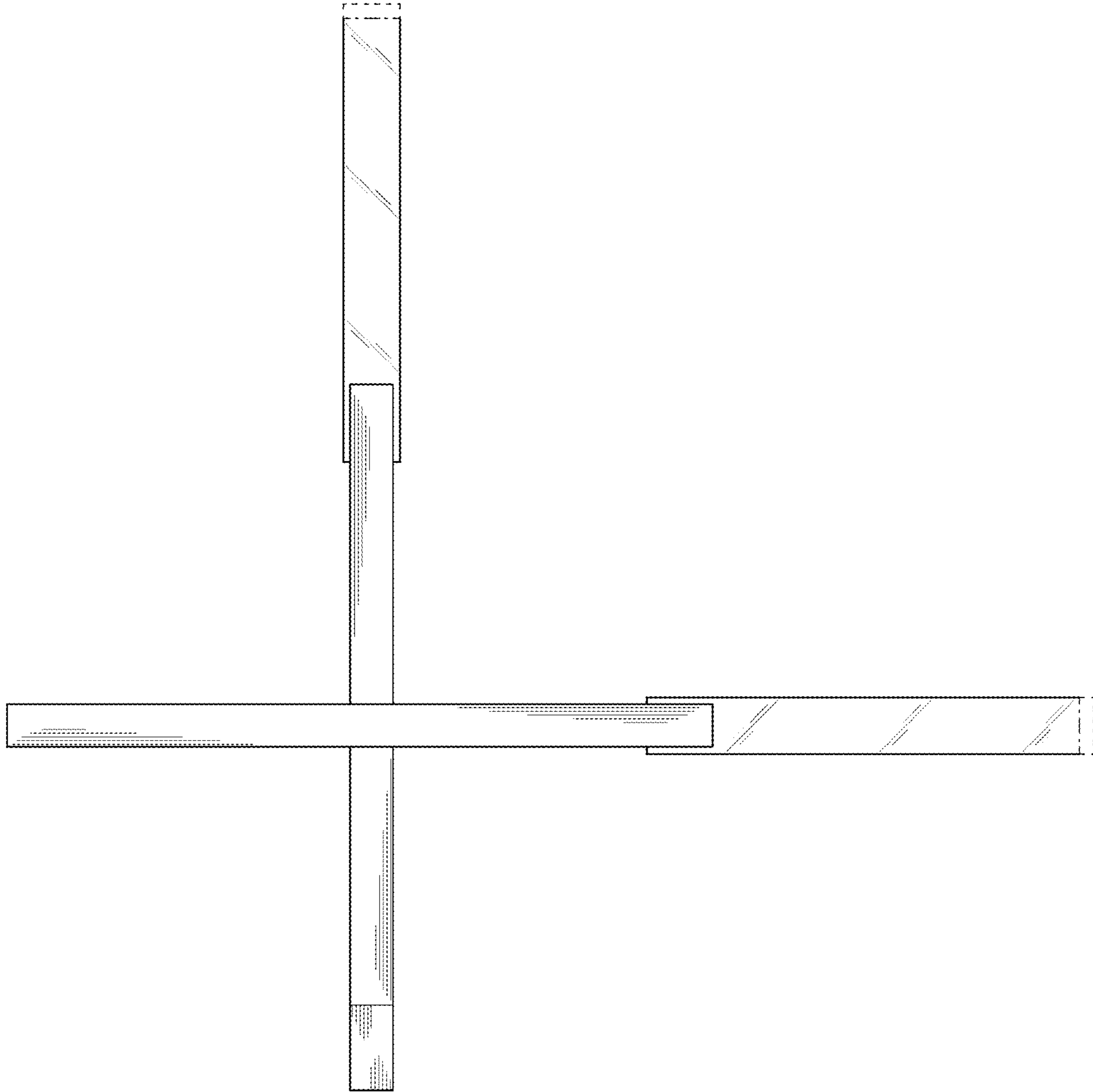


FIG. 40



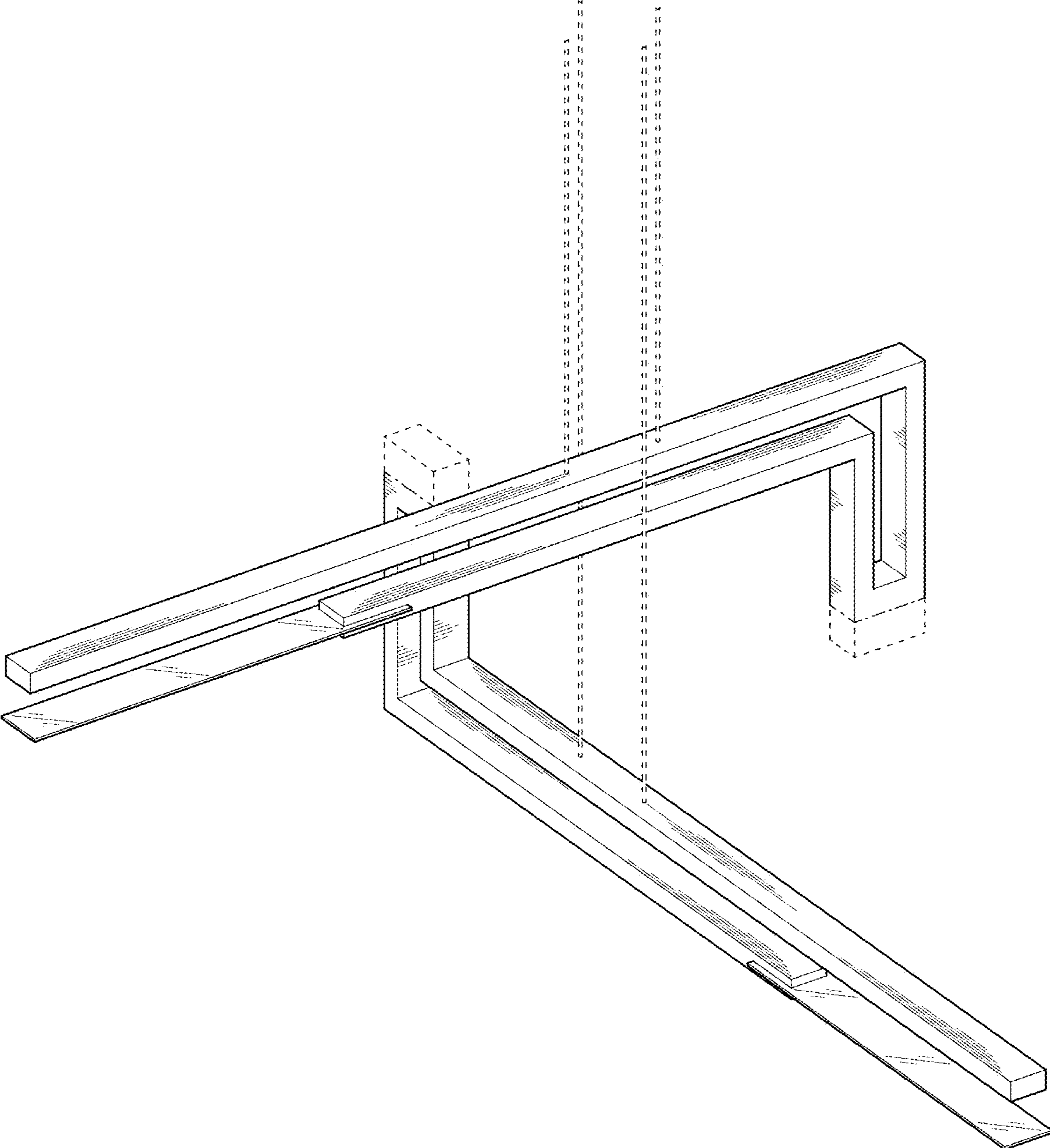


FIG. 41

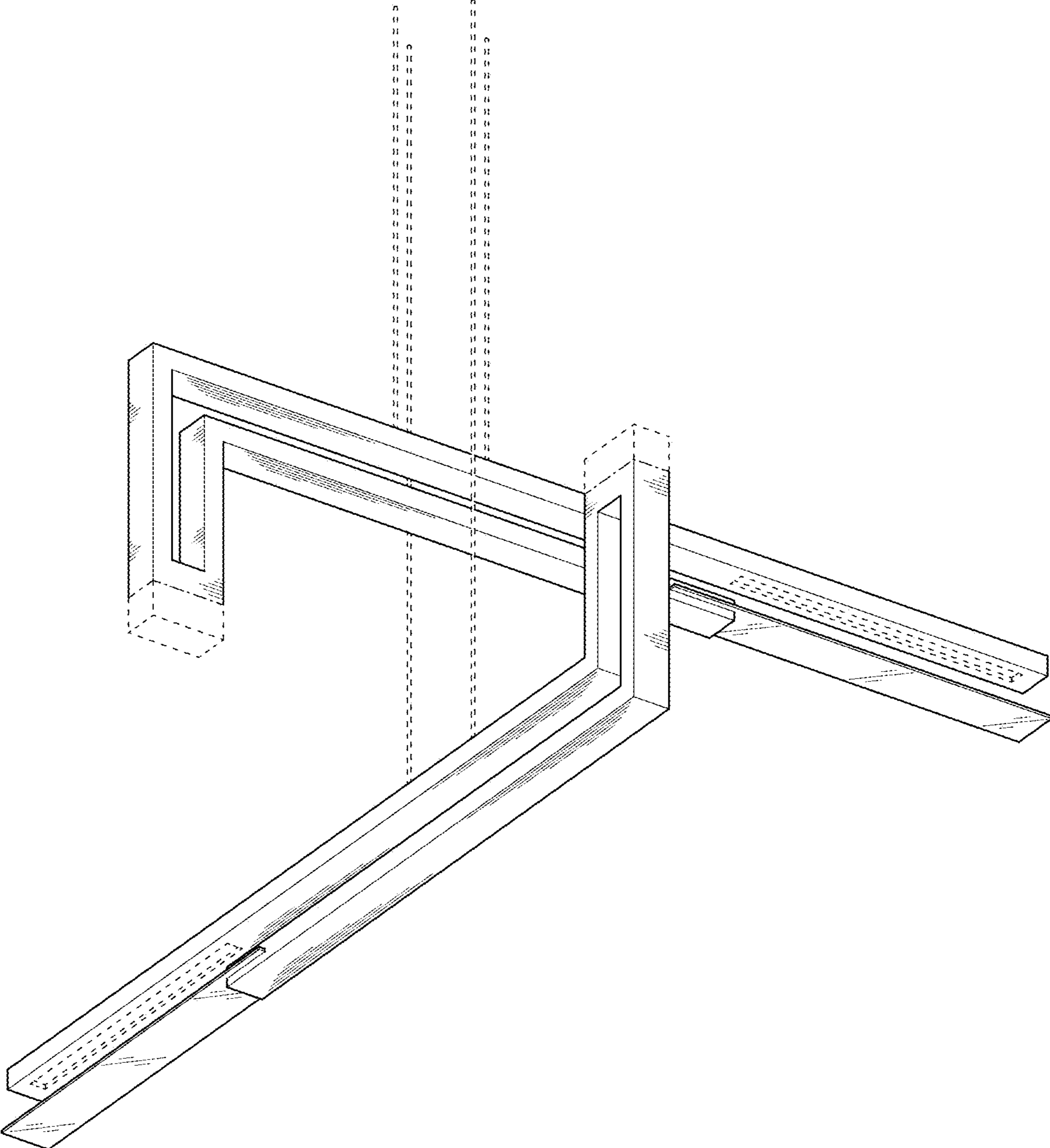


FIG. 42

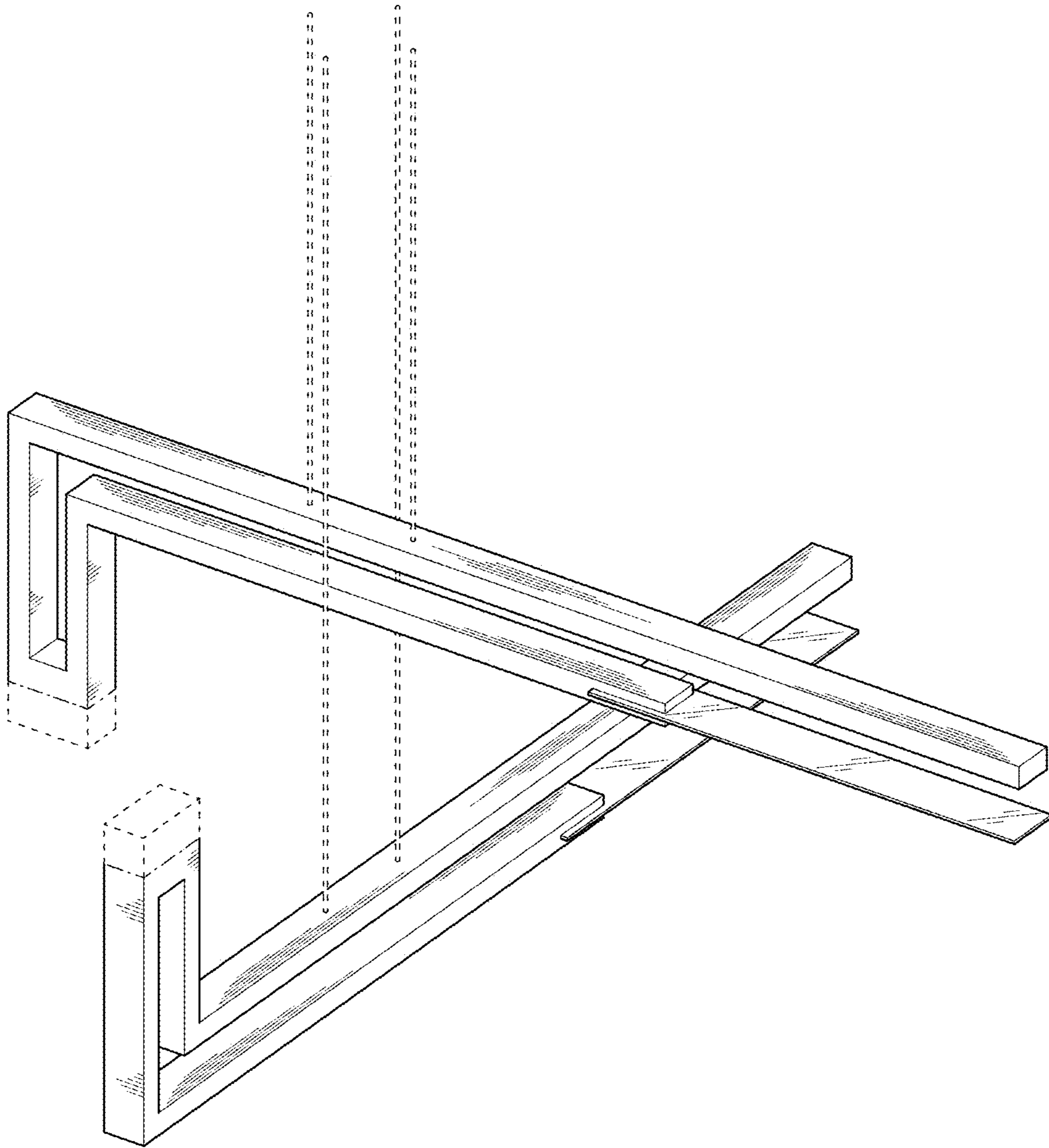


FIG. 43

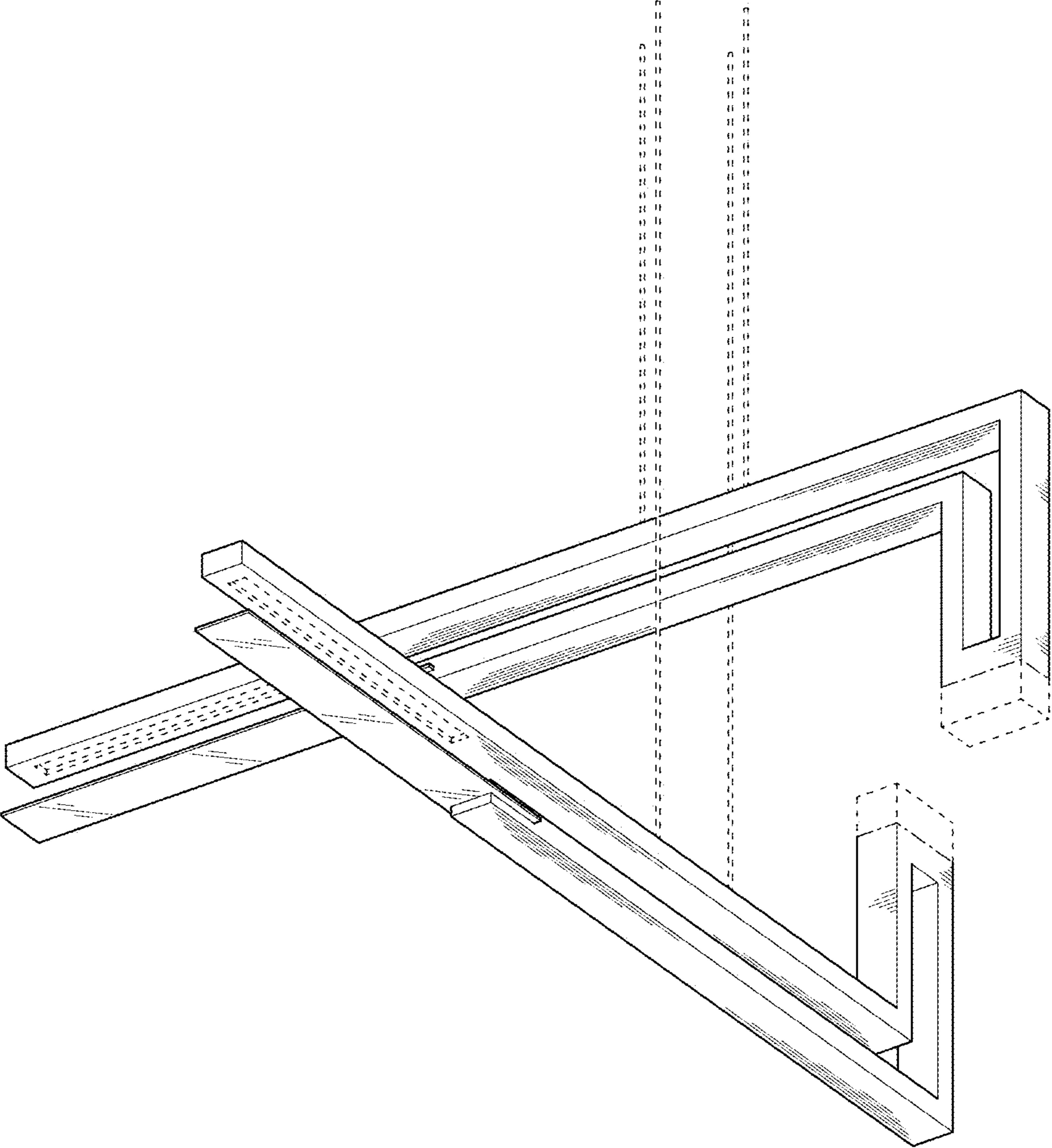


FIG. 44

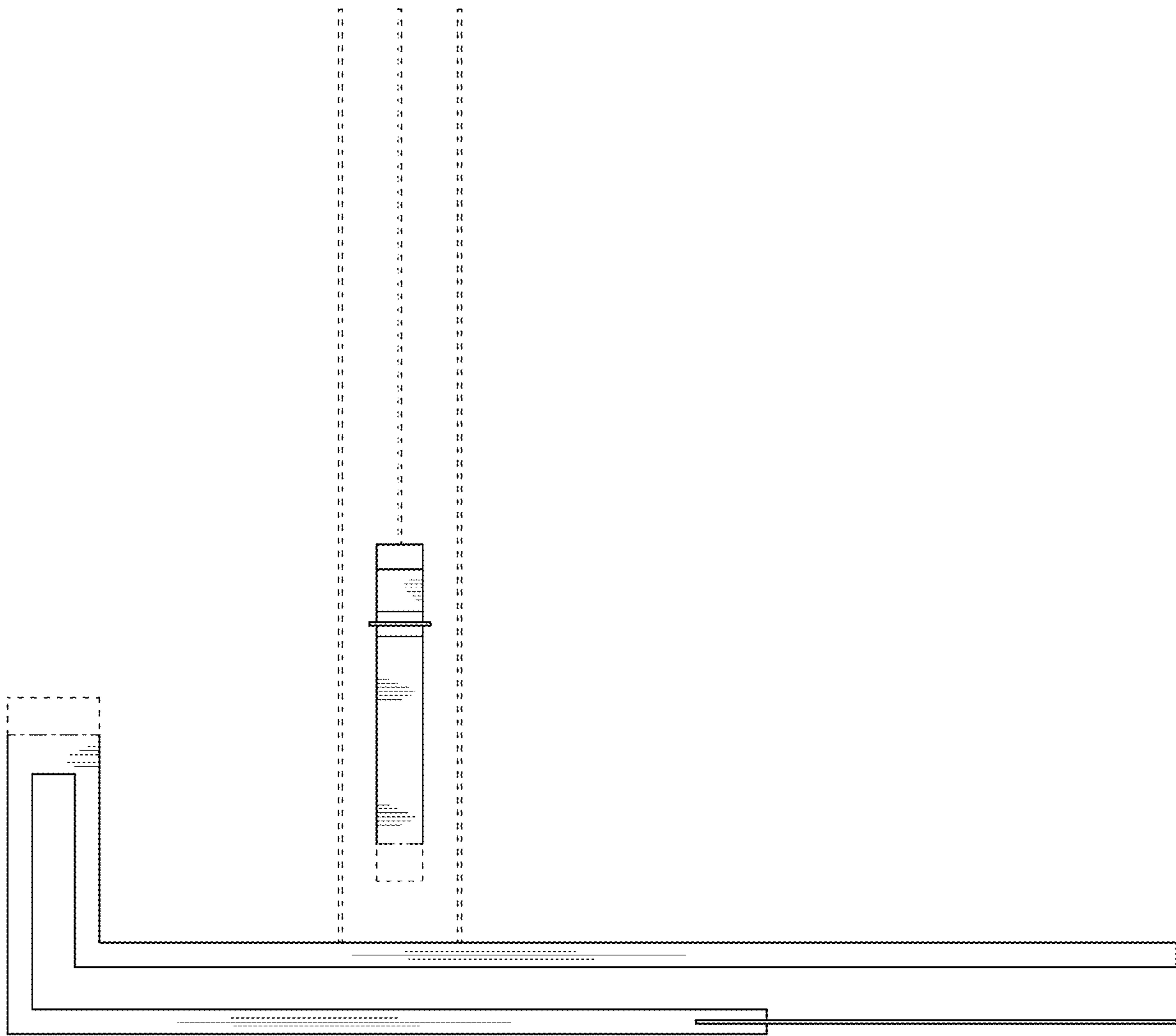


FIG. 45

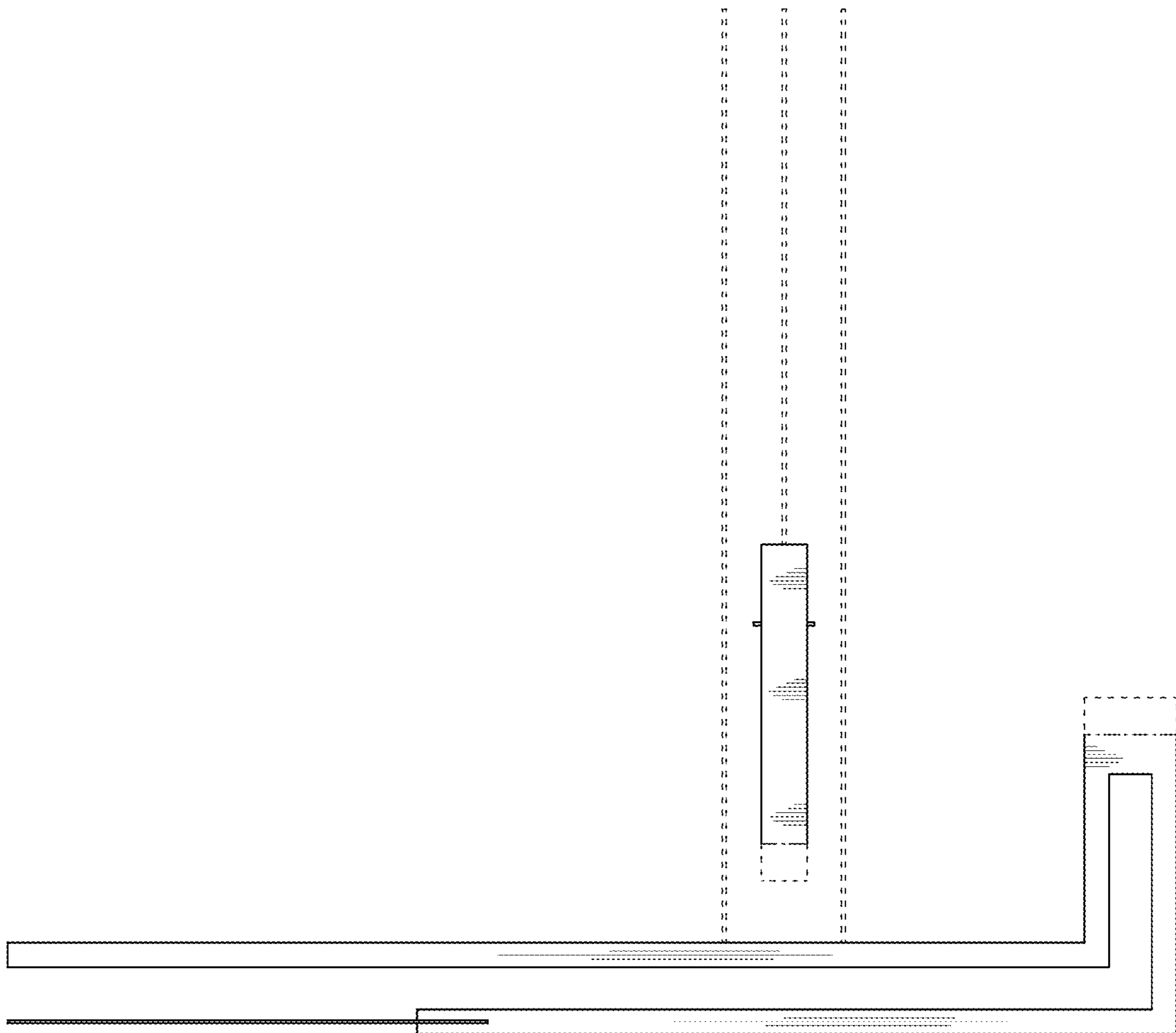


FIG. 46

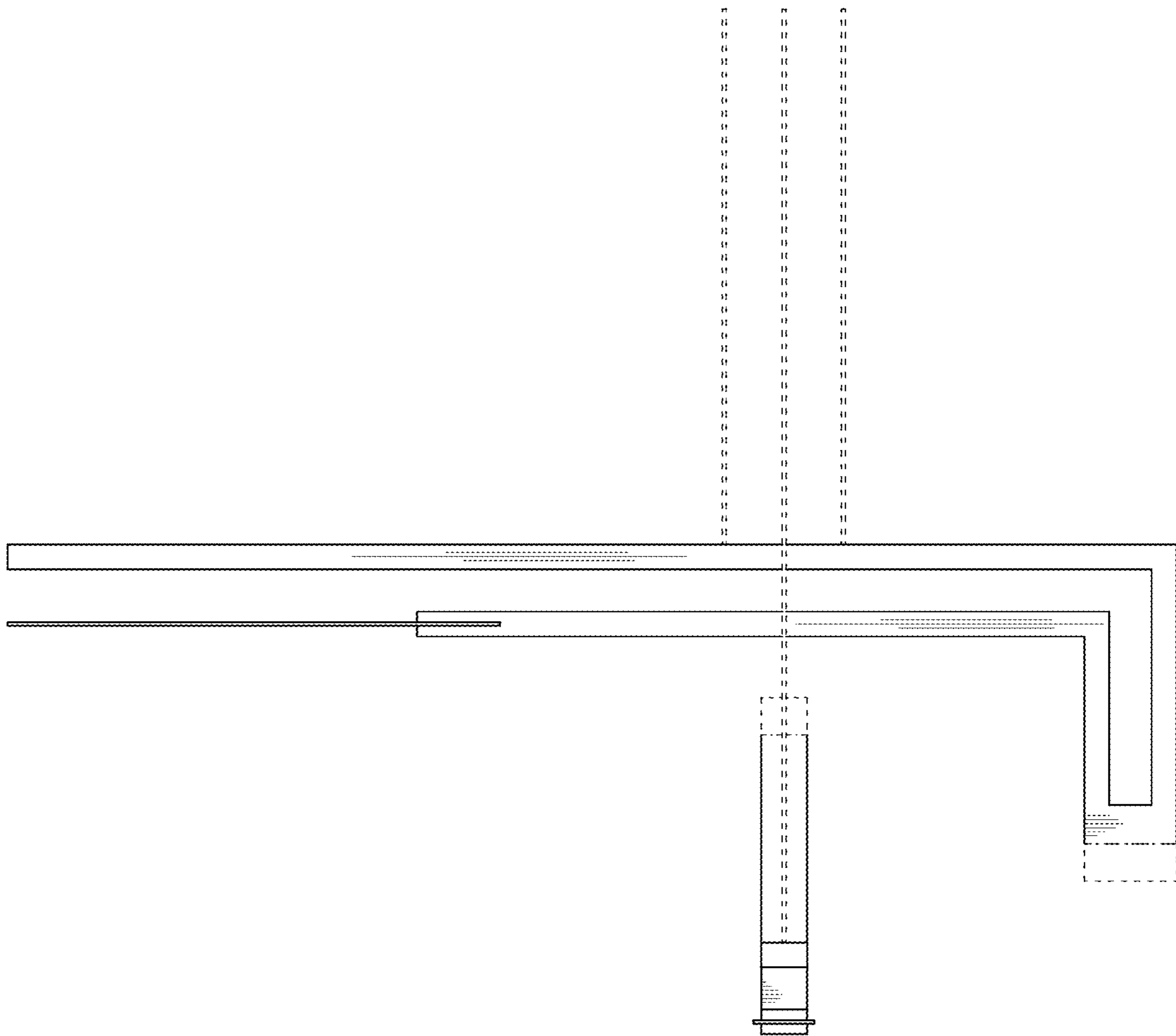


FIG. 47



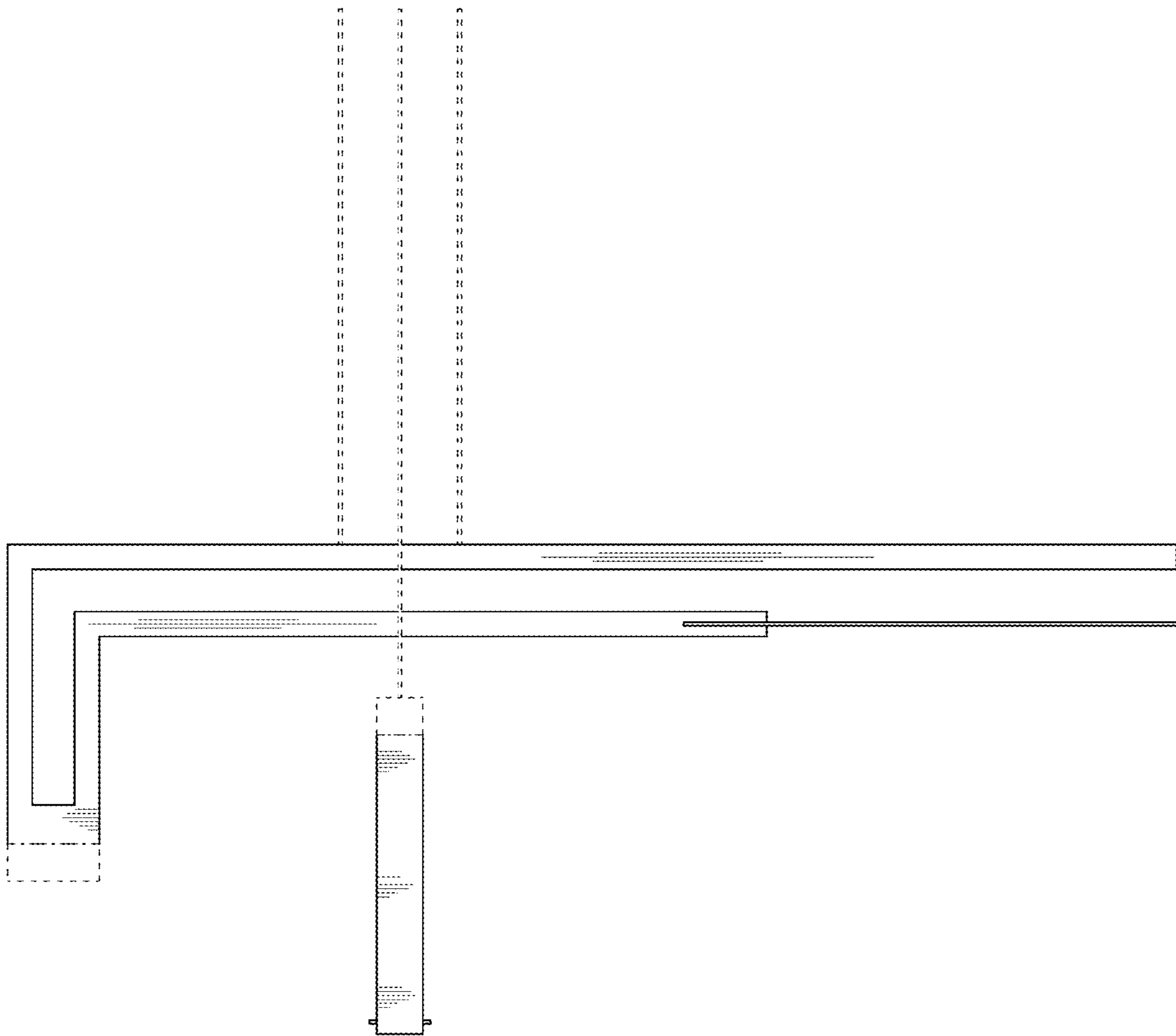


FIG. 48

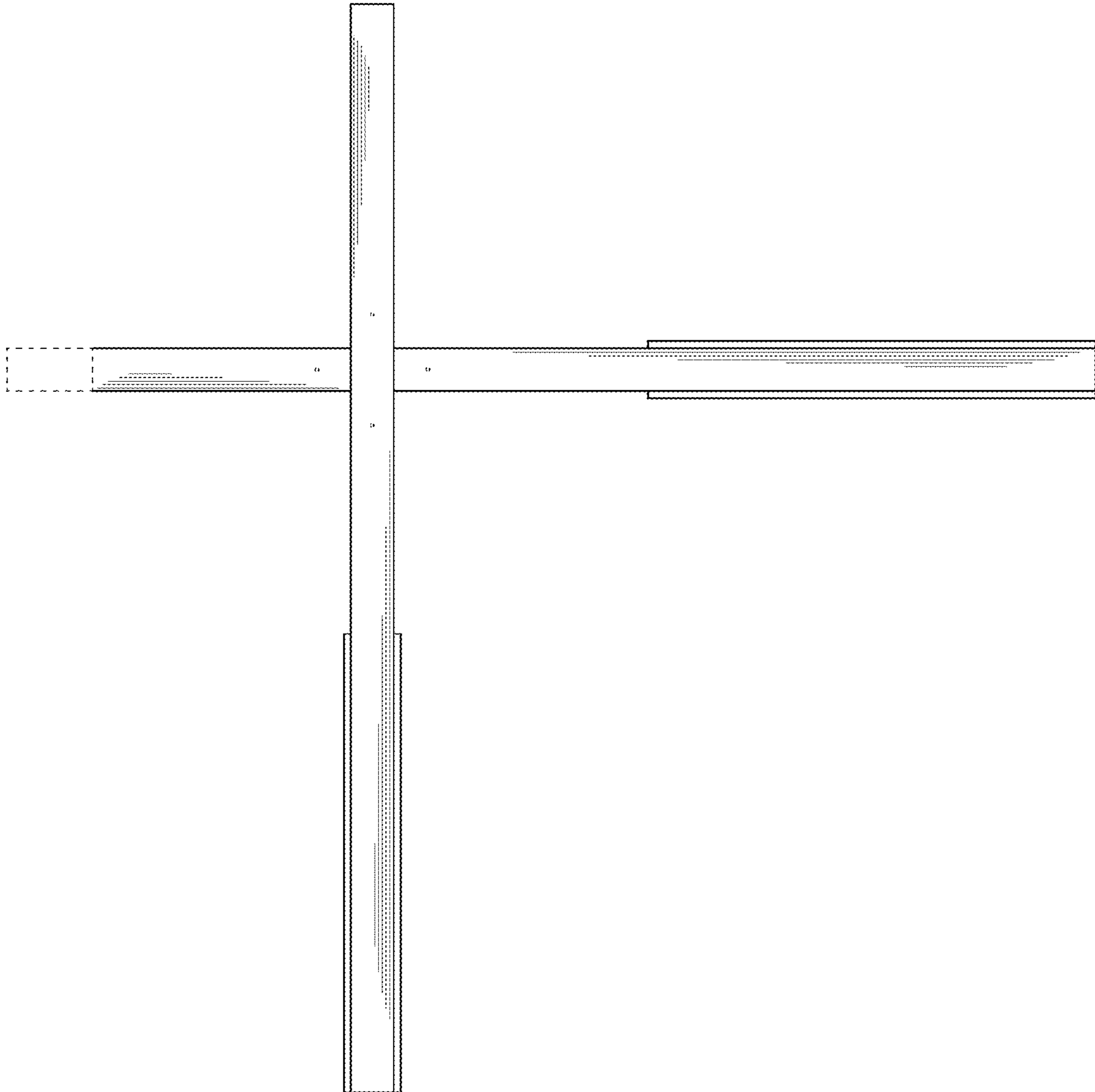


FIG. 49

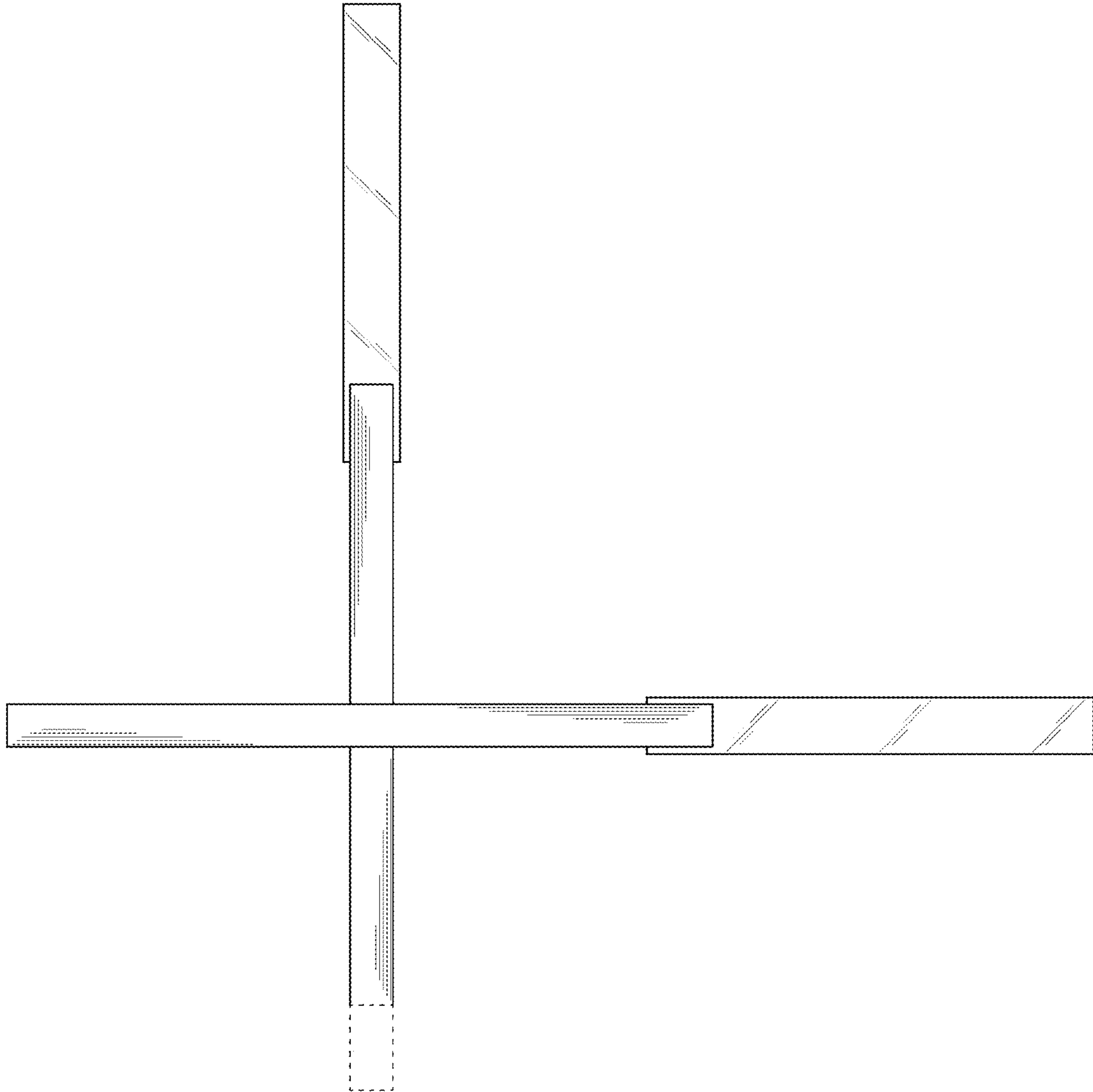


FIG. 50