



US00D919159S

(12) **United States Design Patent** (10) **Patent No.:** **US D919,159 S**  
**Wen** (45) **Date of Patent:** **\*\* May 11, 2021**

(54) **CEILING LAMP**  
(71) Applicant: **SHENZHEN PINSHANGLE TECHNOLOGY CO., LTD.**, Shenzhen (CN)  
(72) Inventor: **Zhongrong Wen**, Lvliang (CN)  
(73) Assignee: **SHENZHEN PINSHANGLE TECHNOLOGY CO., LTD.**, Shenzhen (CN)  
(\*\*) Term: **15 Years**  
(21) Appl. No.: **29/756,373**  
(22) Filed: **Oct. 28, 2020**  
(51) **LOC (13) Cl.** ..... **26-04**  
(52) **U.S. Cl.** ..... **D26/78**  
(58) **Field of Classification Search**  
USPC ..... D26/72, 74, 76, 78-83, 85, 86, 88, 90, D26/93, 111, 113, 118, 119, 120, 121, D26/122, 138, 139, 140, 141, 142, 152  
CPC ..... F21S 2/00; F21S 4/00; F21S 4/003; F21S 4/005; F21S 4/006; F21S 4/007; F21S 4/008; F21S 6/00; F21S 8/00; F21S 8/024; F21S 8/026; F21S 8/031; F21S 8/033; F21S 8/035-037; F21S 8/04; F21S 8/043; F21S 8/063  
See application file for complete search history.

D497,025 S \* 10/2004 Waldmann ..... D26/78  
D544,983 S \* 6/2007 Hargreaves ..... D26/76  
D646,827 S \* 10/2011 Van Compel ..... D26/74  
D667,584 S \* 9/2012 Beghelli ..... D26/75  
D705,474 S \* 5/2014 Philips ..... D26/76  
D751,244 S \* 3/2016 Reynolds ..... D26/118  
D757,324 S \* 5/2016 Rodgers ..... D26/76  
D814,682 S \* 4/2018 Lu ..... D26/76  
D818,626 S \* 5/2018 Park ..... D26/76  
D819,864 S \* 6/2018 Deng ..... D26/76  
D822,883 S \* 7/2018 Stanley ..... D26/118  
D857,971 S \* 8/2019 Yu ..... D26/76  
D866,053 S 11/2019 Jung et al.  
D872,923 S \* 1/2020 Deng ..... D26/76  
D877,393 S 3/2020 Yu et al.  
D889,723 S \* 7/2020 Lau ..... D26/76  
D898,977 S \* 10/2020 Camillo ..... D26/76

\* cited by examiner

*Primary Examiner* — Natasha Vujcic

(57) **CLAIM**

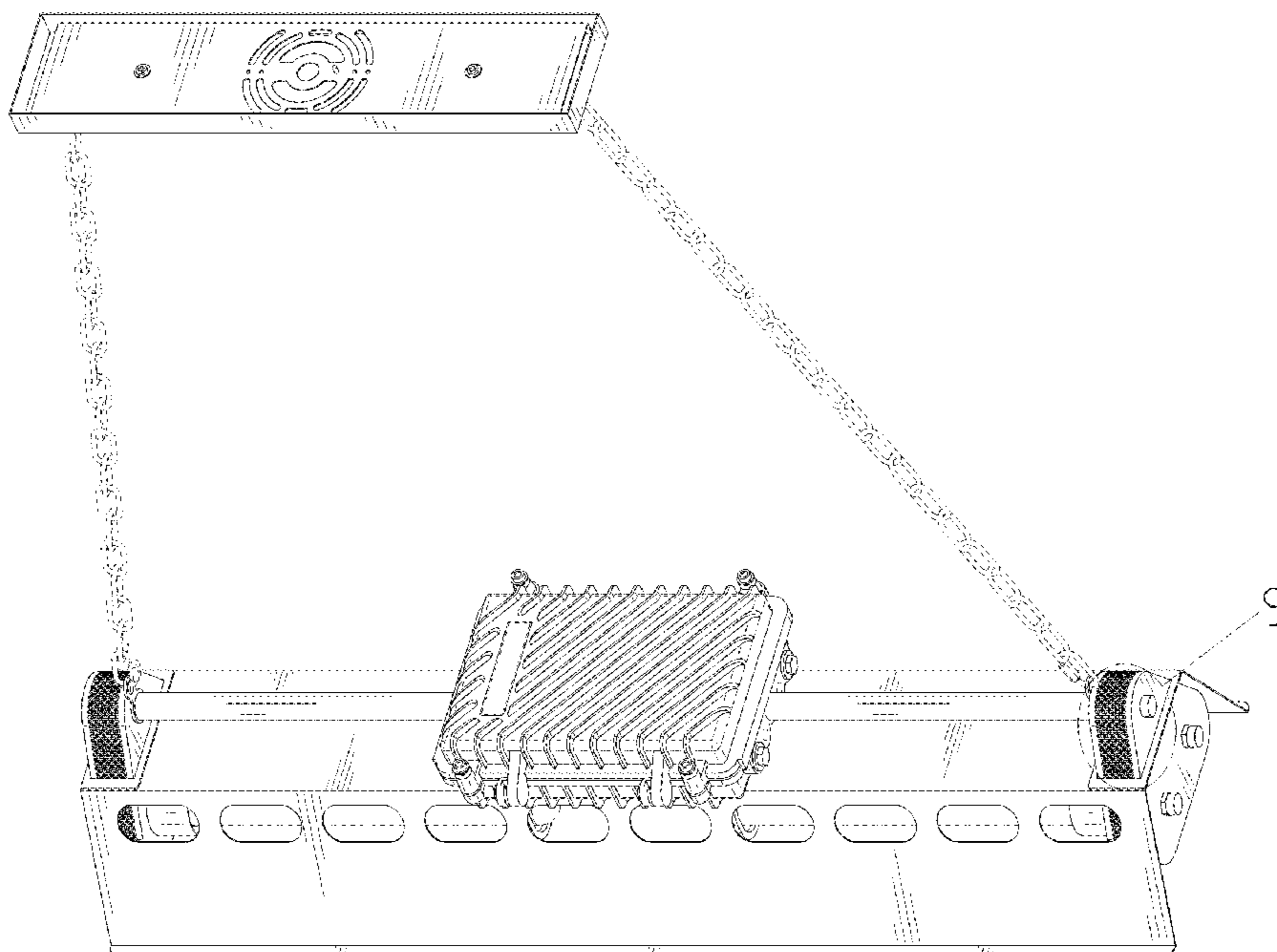
The ornamental design for a ceiling lamp, as shown and described.

**DESCRIPTION**

FIG. 1 is a perspective view of a ceiling lamp showing my new design;  
FIG. 2 is another perspective view thereof;  
FIG. 3 is a front elevational view thereof;  
FIG. 4 is a rear elevational view thereof;  
FIG. 5 is a left side elevational view thereof;  
FIG. 6 is a right side elevational view thereof;  
FIG. 7 is a top plan view thereof;  
FIG. 8 is a bottom plan view thereof; and,  
FIG. 9 is an enlarged view of portion 9 shown in FIG. 1.  
The broken lines in the drawings depict portions of the ceiling lamp that form no part of the claimed design.

**1 Claim, 9 Drawing Sheets**

(56) **References Cited**  
U.S. PATENT DOCUMENTS  
D383,560 S \* 9/1997 Palmer ..... D26/72  
D447,266 S \* 8/2001 Verfuert ..... D26/76  
D459,825 S \* 7/2002 Field ..... D26/80



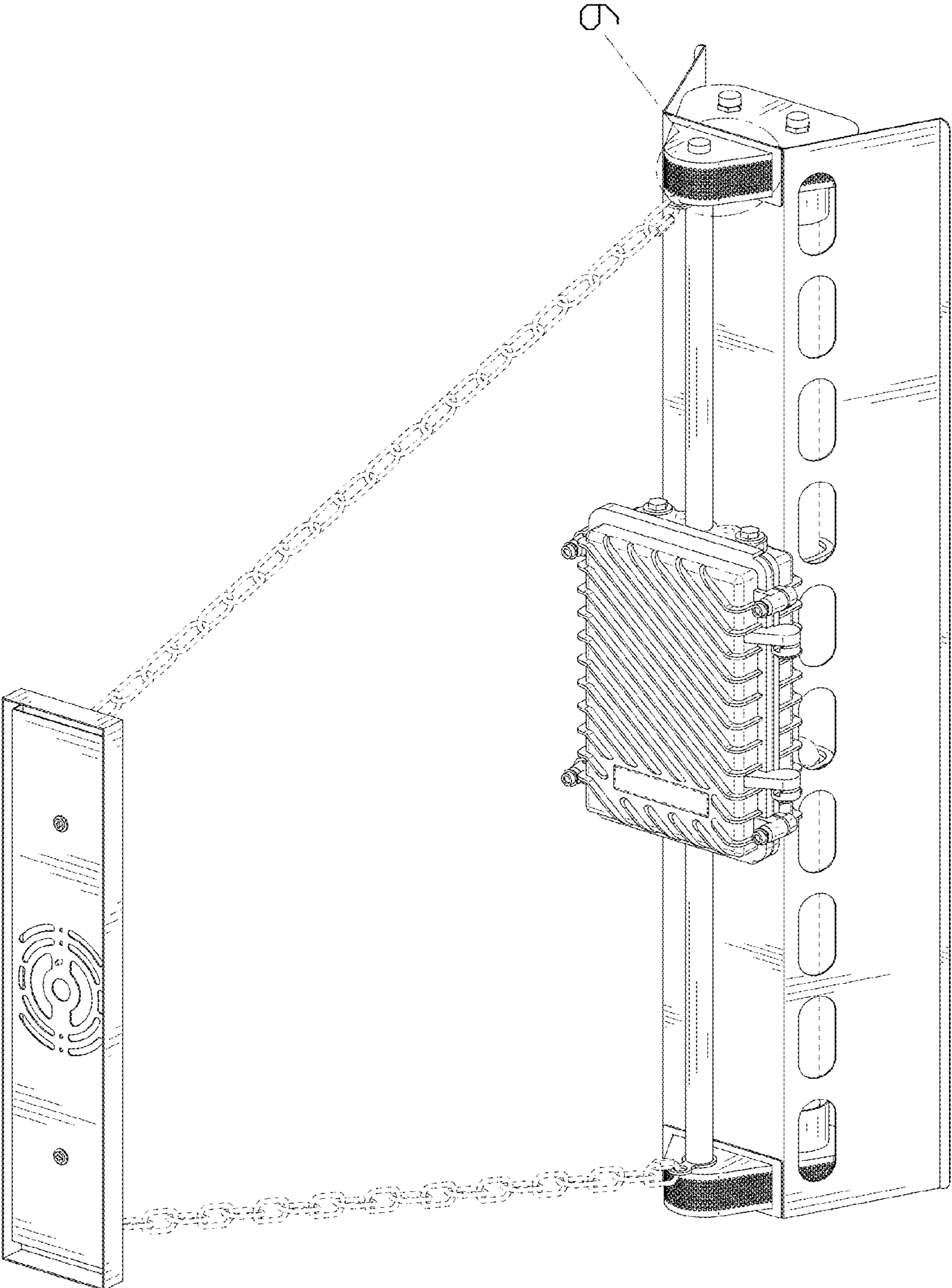


FIG. 1

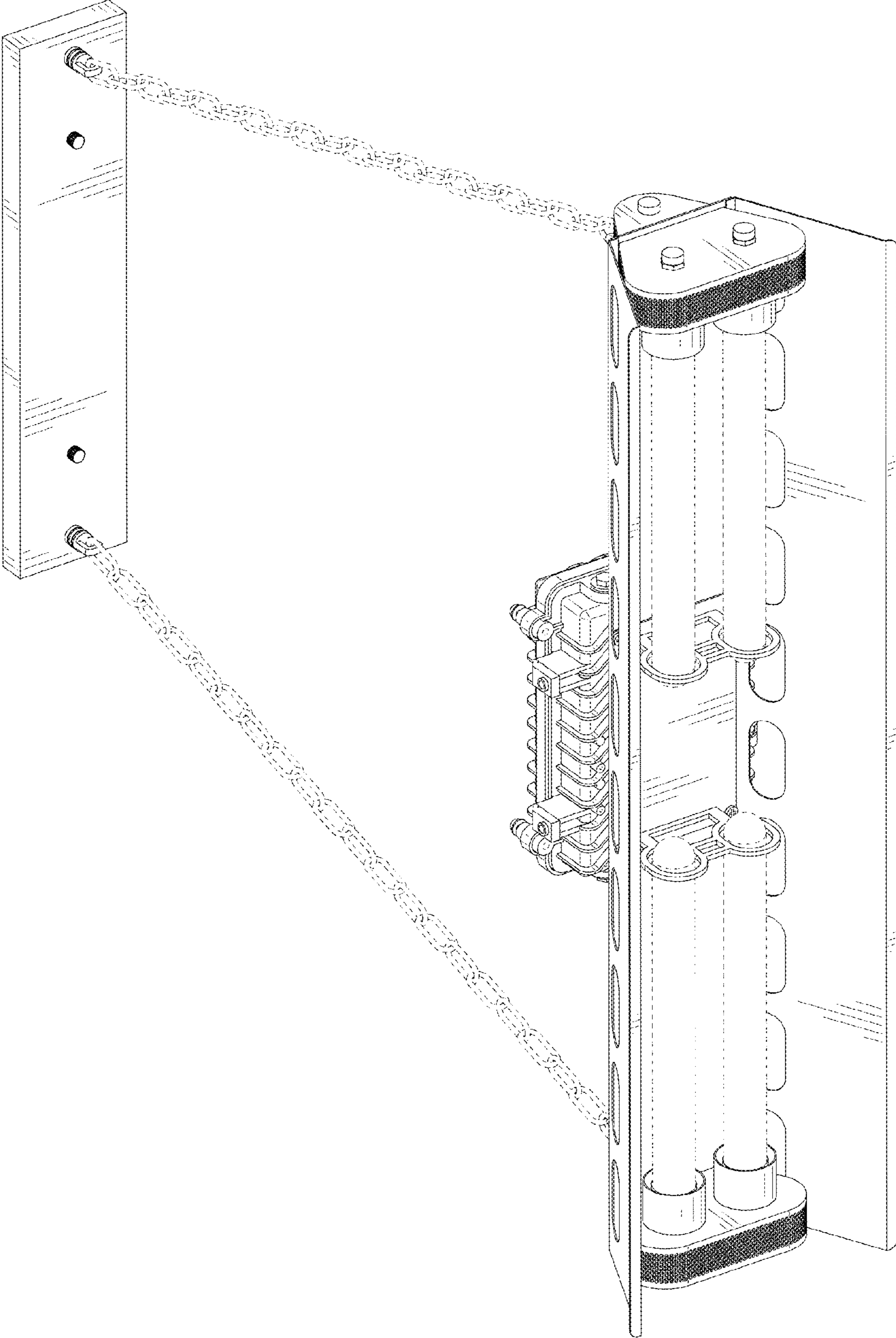


FIG. 2

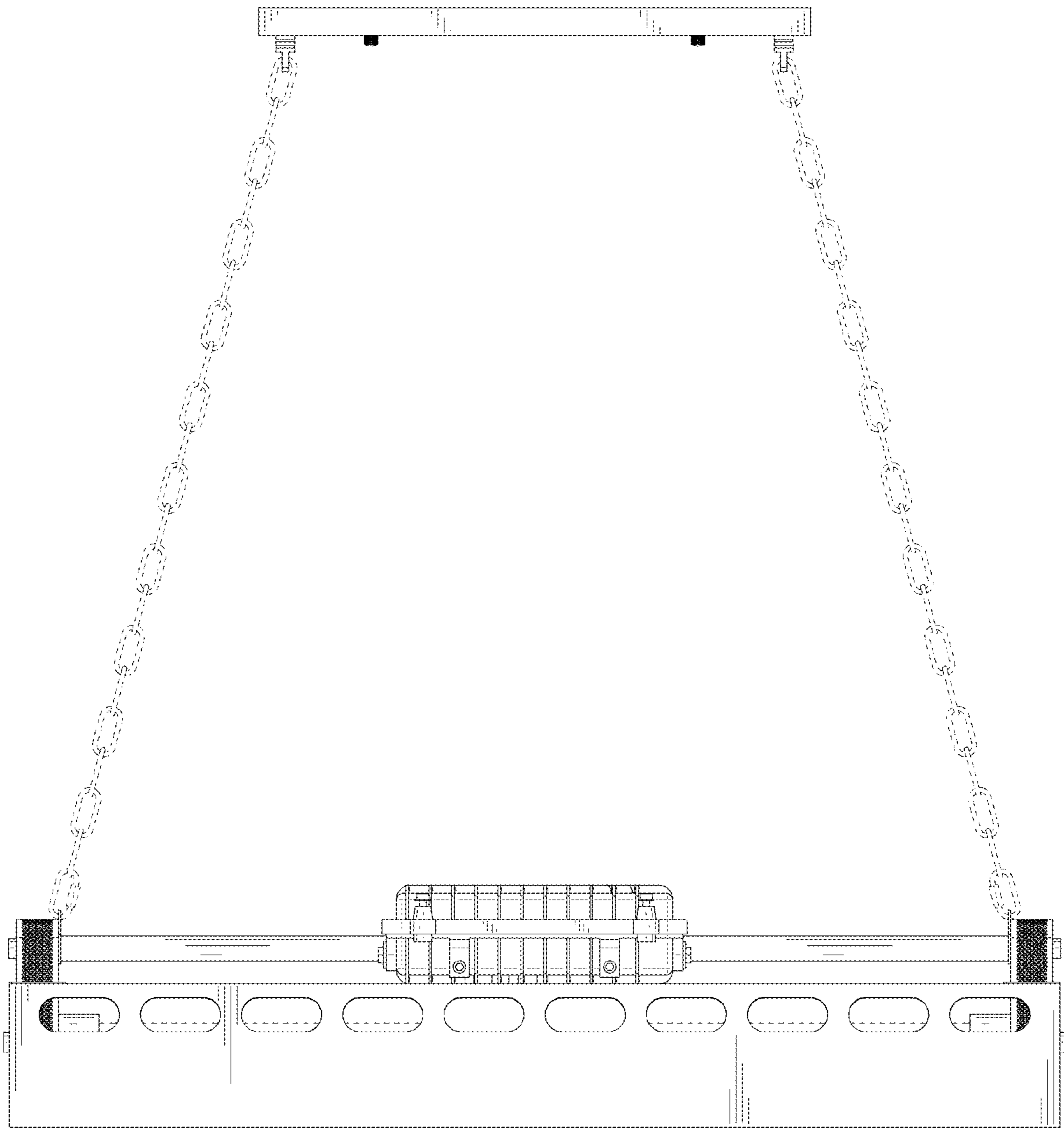


FIG. 3

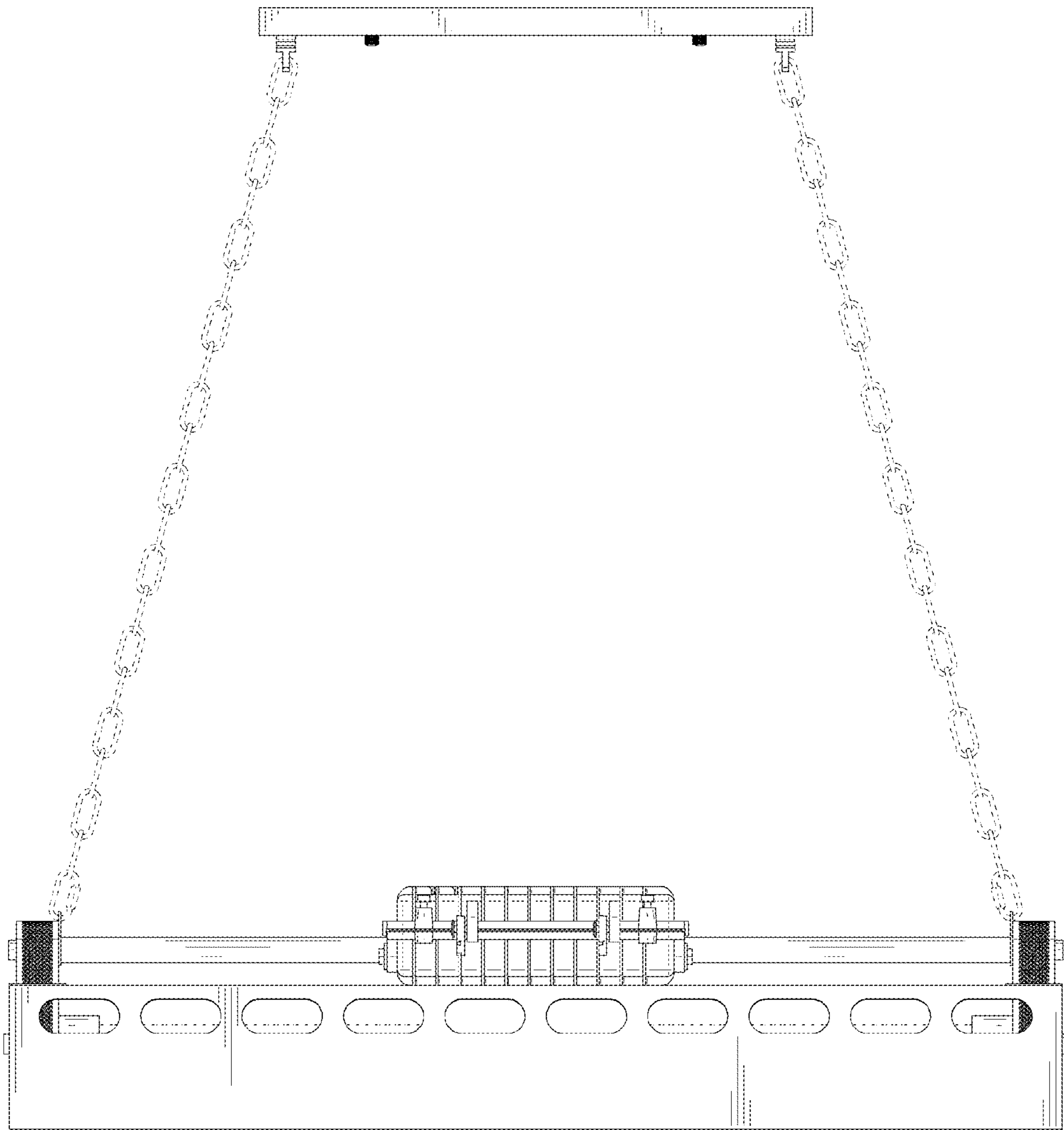


FIG. 4

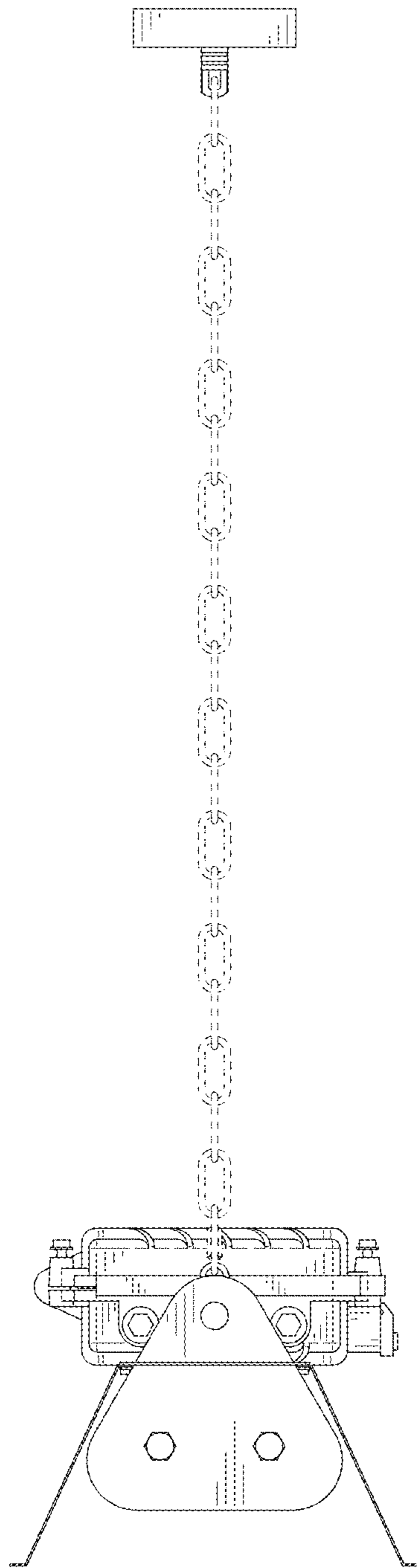


FIG. 5

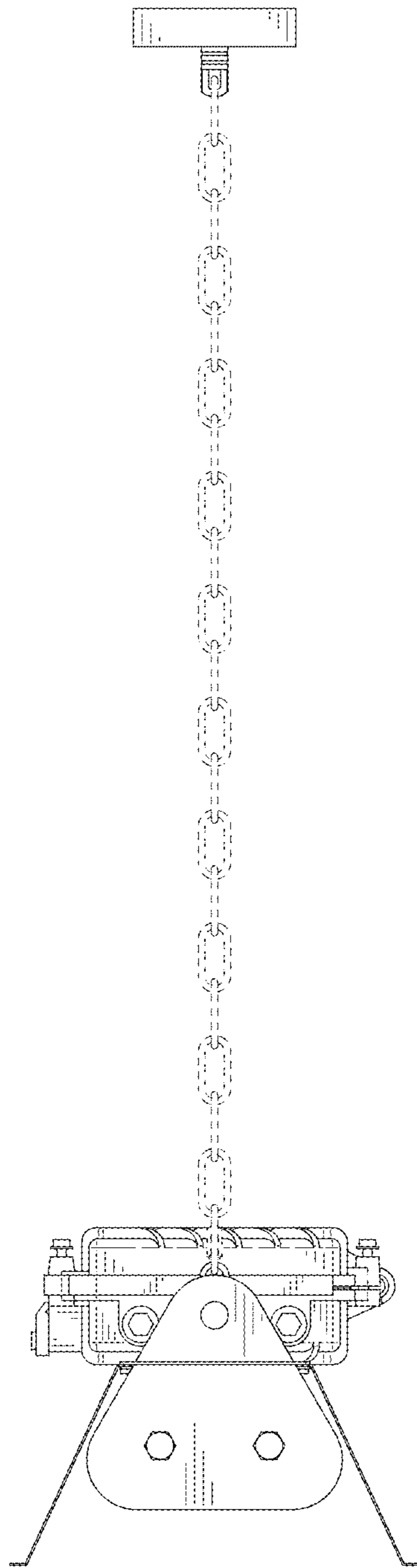


FIG. 6

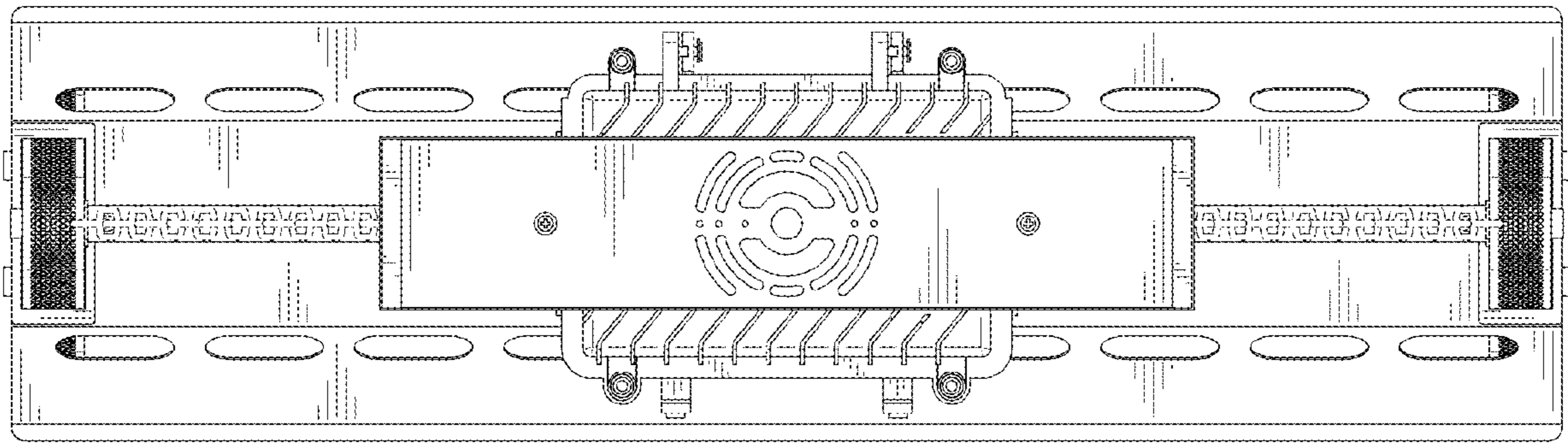


FIG. 7



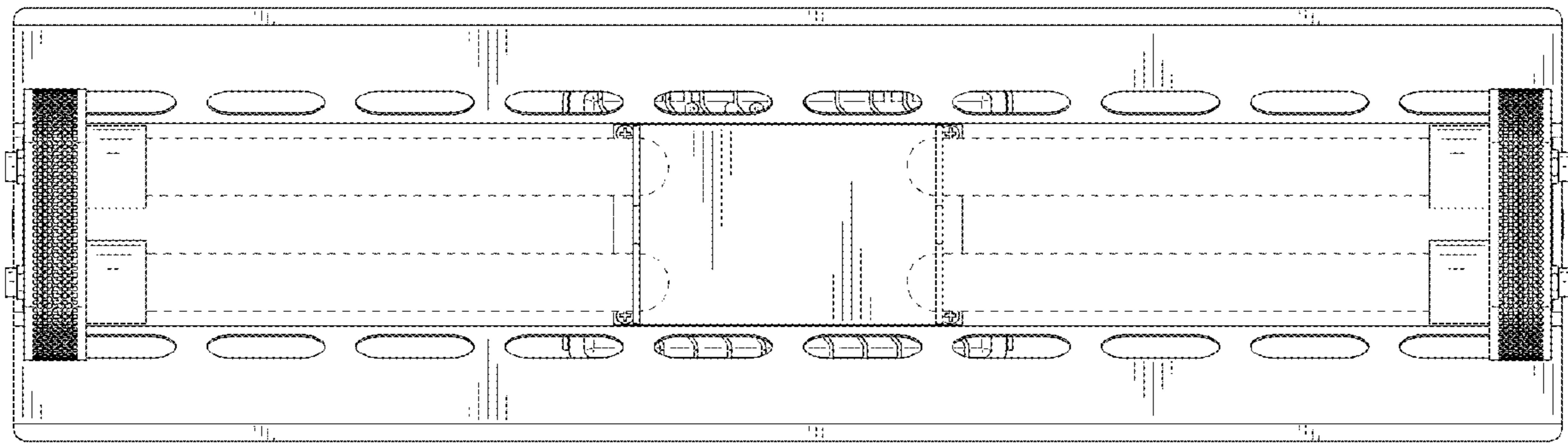


FIG. 8

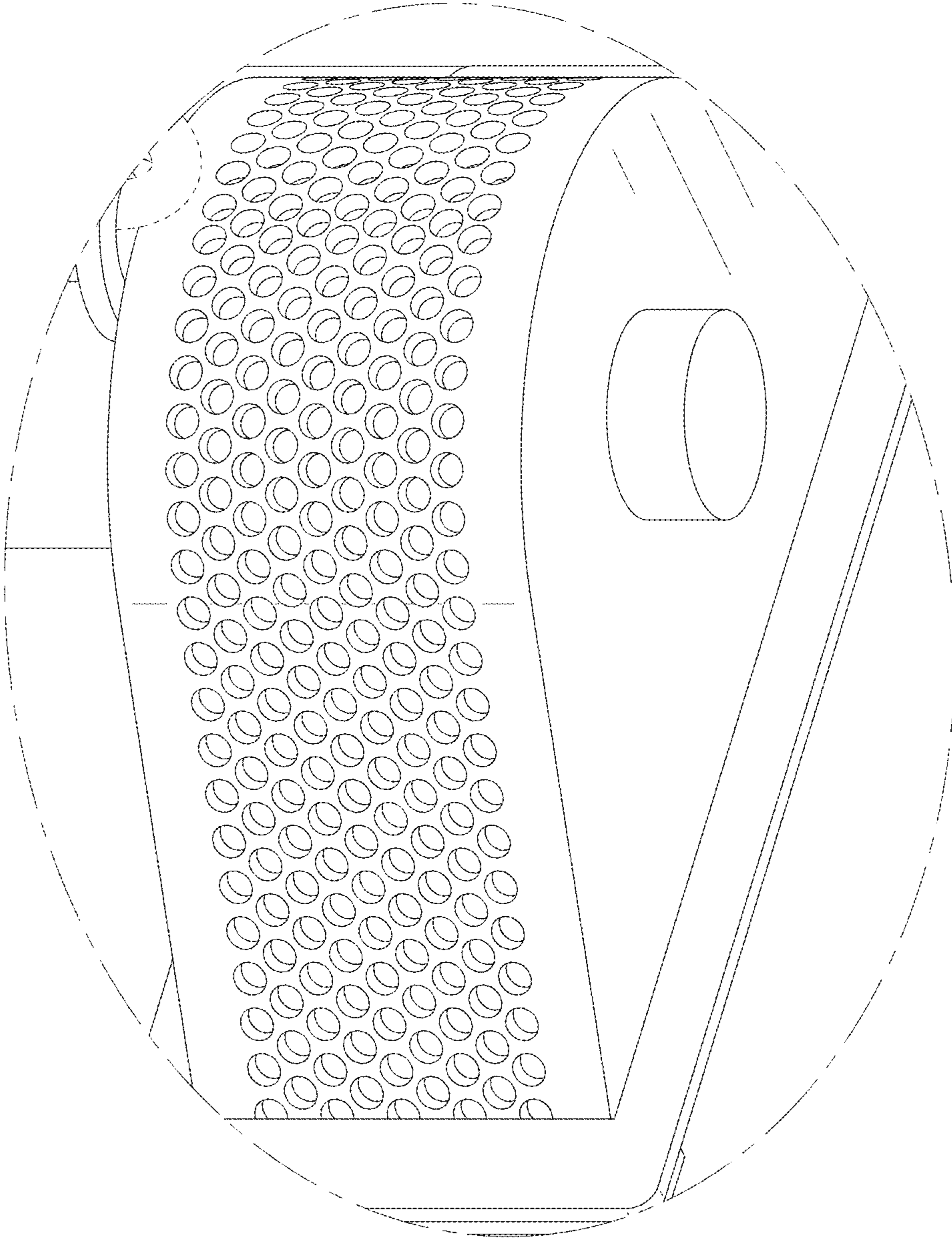


FIG. 9