



US00D919158S

(12) **United States Design Patent**  
**Wu et al.**

(10) **Patent No.: US D919,158 S**  
(45) **Date of Patent: \*\* May 11, 2021**

(54) **LAMP**

**DESCRIPTION**

(71) Applicant: **Shenzhen Signcomplex Science & Technology Co., Limited**, Guangdong (CN)

(72) Inventors: **Tiejun Wu**, Guangdong (CN); **Qimeng He**, Guangdong (CN); **Changchun Yi**, Guangdong (CN)

(73) Assignee: **Shenzhen Signcomplex Science & Technology Co., Limited**, Guangdong (CN)

(\*\*) Term: **15 Years**

(21) Appl. No.: **29/634,659**

(22) Filed: **Jan. 24, 2018**

(30) **Foreign Application Priority Data**

Aug. 18, 2017 (CN) ..... 201730382127.9

(51) **LOC (13) Cl.** ..... **26-04**

(52) **U.S. Cl.**  
USPC ..... **D26/76**

(58) **Field of Classification Search**  
USPC ..... D26/72, 74, 76, 78-83, 85, 86, 88, 90,  
D26/93, 111, 113, 118-122, 138, 139,  
D26/140, 141, 142, 152

(Continued)

(56) **References Cited**

**U.S. PATENT DOCUMENTS**

D447,266 S \* 8/2001 Verfuertth ..... D26/76  
D494,700 S \* 8/2004 Hartman ..... D26/76

(Continued)

*Primary Examiner* — Natasha Vujcic

(74) *Attorney, Agent, or Firm* — JCIPRNET

(57) **CLAIM**

The ornamental design for a lamp, as shown.

FIG. 1 is a front perspective view of a lamp showing a first embodiment of our new design;  
FIG. 2 is a rear perspective view of the first embodiment;  
FIG. 3 is a front view of the first embodiment;  
FIG. 4 is a rear view of the first embodiment;  
FIG. 5 is an enlarged left side view of the first embodiment;  
FIG. 6 is an enlarged right side view of the first embodiment;  
FIG. 7 is a top view of the first embodiment;  
FIG. 8 is a bottom view of the first embodiment;  
FIG. 9 is an enlarged view of an indicated portion of FIG. 1;  
FIG. 10 is an enlarged view of an indicated portion of FIG. 1;  
FIG. 11 is an enlarged view of an indicated portion of FIG. 2;  
FIG. 12 is an enlarged view of an indicated portion of FIG. 2;  
FIG. 13 is an enlarged view of an indicated portion of FIG. 2;  
FIG. 14 is a front perspective view of a lamp showing a second embodiment of our new design;  
FIG. 15 is a rear perspective view of the second embodiment;  
FIG. 16 is a front view of the second embodiment;  
FIG. 17 is a rear view of the second embodiment;  
FIG. 18 is an enlarged left side view of the second embodiment;  
FIG. 19 is an enlarged right side view of the second embodiment;  
FIG. 20 is a top view of the second embodiment;  
FIG. 21 is a bottom view of the second embodiment;  
FIG. 22 is an enlarged view of an indicated portion of FIG. 14;  
FIG. 23 is an enlarged view of an indicated portion of FIG. 14;  
FIG. 24 is an enlarged view of an indicated portion of FIG. 15;  
FIG. 25 is an enlarged view of an indicated portion of FIG. 15;  
FIG. 26 is an enlarged view of an indicated portion of FIG. 15;

(Continued)

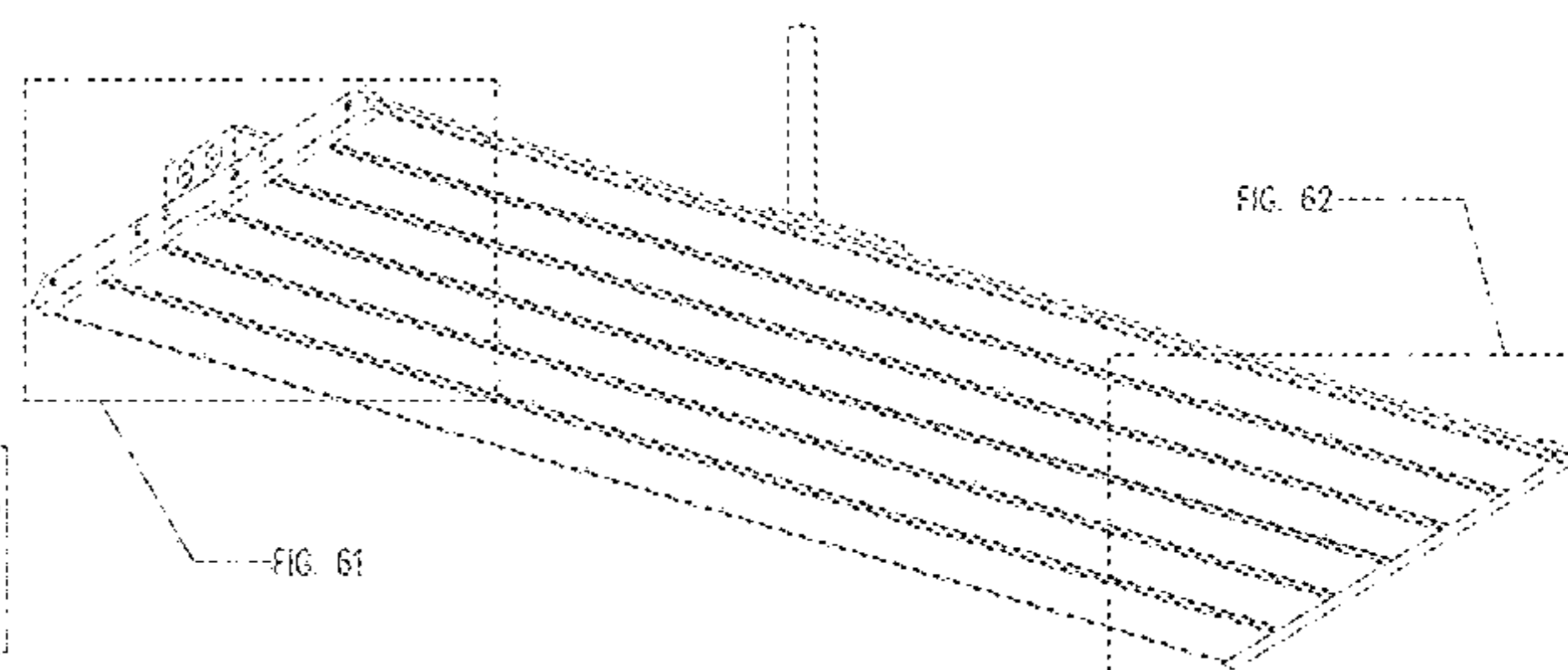
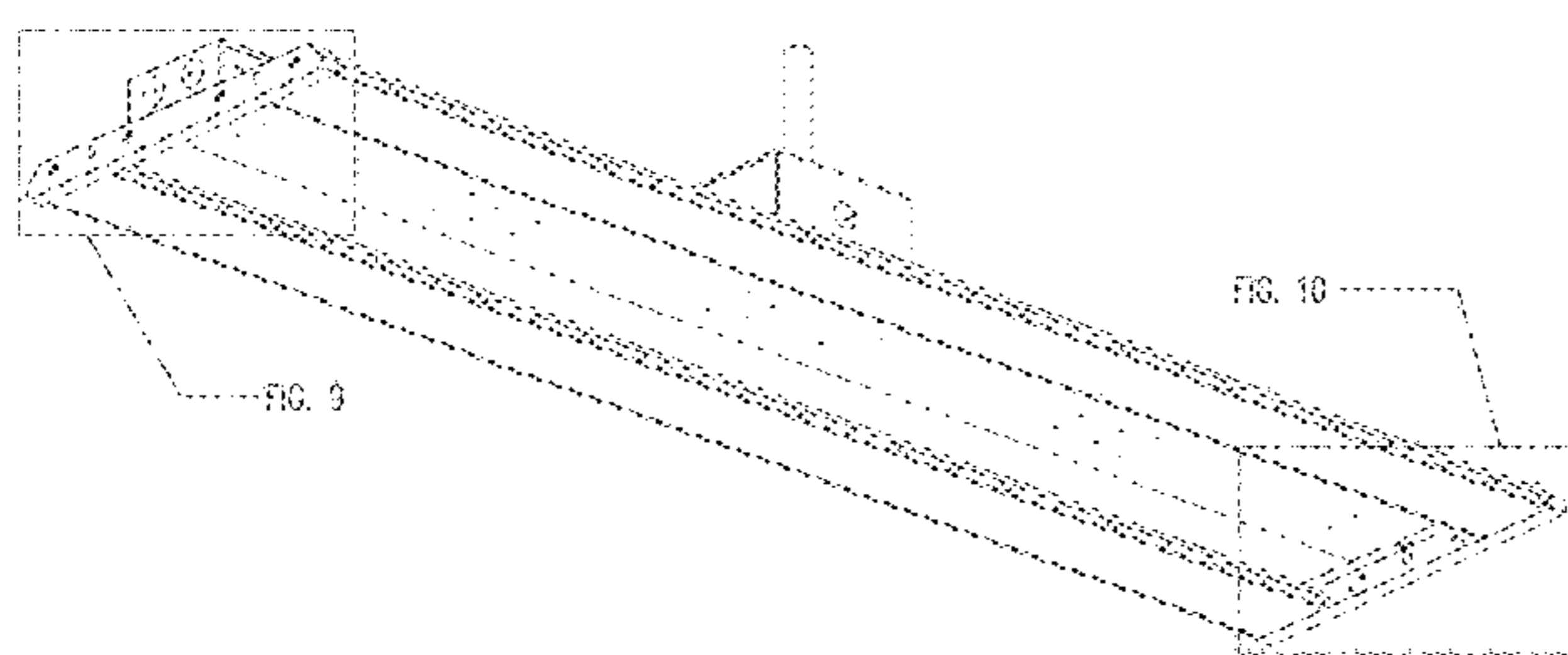


FIG. 27 is a front perspective view of a lamp showing a third embodiment of our new design;  
 FIG. 28 is a rear perspective view of the third embodiment;  
 FIG. 29 is a front view of the third embodiment;  
 FIG. 30 is a rear view of the third embodiment;  
 FIG. 31 is an enlarged left side view of the third embodiment;  
 FIG. 32 is an enlarged right side view of the third embodiment;  
 FIG. 33 is a top view of the third embodiment;  
 FIG. 34 is a bottom view of the third embodiment;  
 FIG. 35 is an enlarged view of an indicated portion of FIG. 27;  
 FIG. 36 is an enlarged view of an indicated portion of FIG. 27;  
 FIG. 37 is an enlarged view of an indicated portion of FIG. 28;  
 FIG. 38 is an enlarged view of an indicated portion of FIG. 28;  
 FIG. 39 is an enlarged view of an indicated portion of FIG. 28;  
 FIG. 40 is a front perspective view of a lamp showing a fourth embodiment of our new design;  
 FIG. 41 is a rear perspective view of the fourth embodiment;  
 FIG. 42 is a front view of the fourth embodiment;  
 FIG. 43 is a rear view of the fourth embodiment;  
 FIG. 44 is an enlarged left side view of the fourth embodiment;  
 FIG. 45 is an enlarged right side view of the fourth embodiment;  
 FIG. 46 is a top view of the fourth embodiment;  
 FIG. 47 is a bottom view of the fourth embodiment;  
 FIG. 48 is an enlarged view of an indicated portion of FIG. 40;  
 FIG. 49 is an enlarged view of an indicated portion of FIG. 40;  
 FIG. 50 is an enlarged view of an indicated portion of FIG. 41;  
 FIG. 51 is an enlarged view of an indicated portion of FIG. 41;  
 FIG. 52 is an enlarged view of an indicated portion of FIG. 41;  
 FIG. 53 is a front perspective view of a lamp showing a fifth embodiment of our new design;  
 FIG. 54 is a rear perspective view of the fifth embodiment;  
 FIG. 55 is a front view of the fifth embodiment;  
 FIG. 56 is a rear view of the fifth embodiment;

FIG. 57 is an enlarged left side view of the fifth embodiment;  
 FIG. 58 is an enlarged right side view of the fifth embodiment;  
 FIG. 59 is a top view of the fifth embodiment;  
 FIG. 60 is a bottom view of the fifth embodiment;  
 FIG. 61 is an enlarged view of an indicated portion of FIG. 53;  
 FIG. 62 is an enlarged view of an indicated portion of FIG. 53;  
 FIG. 63 is an enlarged view of an indicated portion of FIG. 54;  
 FIG. 64 is an enlarged view of an indicated portion of FIG. 54; and,  
 FIG. 65 is an enlarged view of an indicated portion of FIG. 54.

**1 Claim, 60 Drawing Sheets**

(58) **Field of Classification Search**

CPC ..... F21S 2/00; F21S 4/00; F21S 4/003; F21S 4/005; F21S 4/006; F21S 4/007; F21S 4/008; F21S 6/00; F21S 8/00; F21S 8/024; F21S 8/026; F21S 8/031; F21S 8/033; F21S 8/035-037; F21S 8/04; F21S 8/043; F21S 8/063

See application file for complete search history.

(56) **References Cited**

U.S. PATENT DOCUMENTS

D499,504	S	*	12/2004	Meyer	.....	D26/76
D596,778	S	*	7/2009	Yamazato	.....	D26/76
D703,858	S	*	4/2014	Miller	.....	D26/76
D723,206	S	*	2/2015	Lewis, Jr.	.....	D26/72
D735,931	S	*	8/2015	Lehman	.....	D26/121
D744,690	S	*	12/2015	Boyer	.....	D26/76
D757,325	S	*	5/2016	Stanley	.....	D26/76
D757,327	S	*	5/2016	Reynolds	.....	D26/77
D797,344	S	*	9/2017	Yorio	.....	D26/78
D804,077	S	*	11/2017	Ma	.....	D26/76
D818,626	S	*	5/2018	Park	.....	D26/76
D819,861	S	*	6/2018	Scribante	.....	D26/76
D819,862	S	*	6/2018	Deng	.....	D26/76
D819,864	S	*	6/2018	Deng	.....	D26/76
D824,570	S	*	7/2018	Bobel	.....	D26/76
D870,346	S	*	12/2019	Deng	.....	D26/76
D877,964	S	*	3/2020	Antony	.....	D26/118
D881,440	S	*	4/2020	Zhu	.....	D26/76

\* cited by examiner

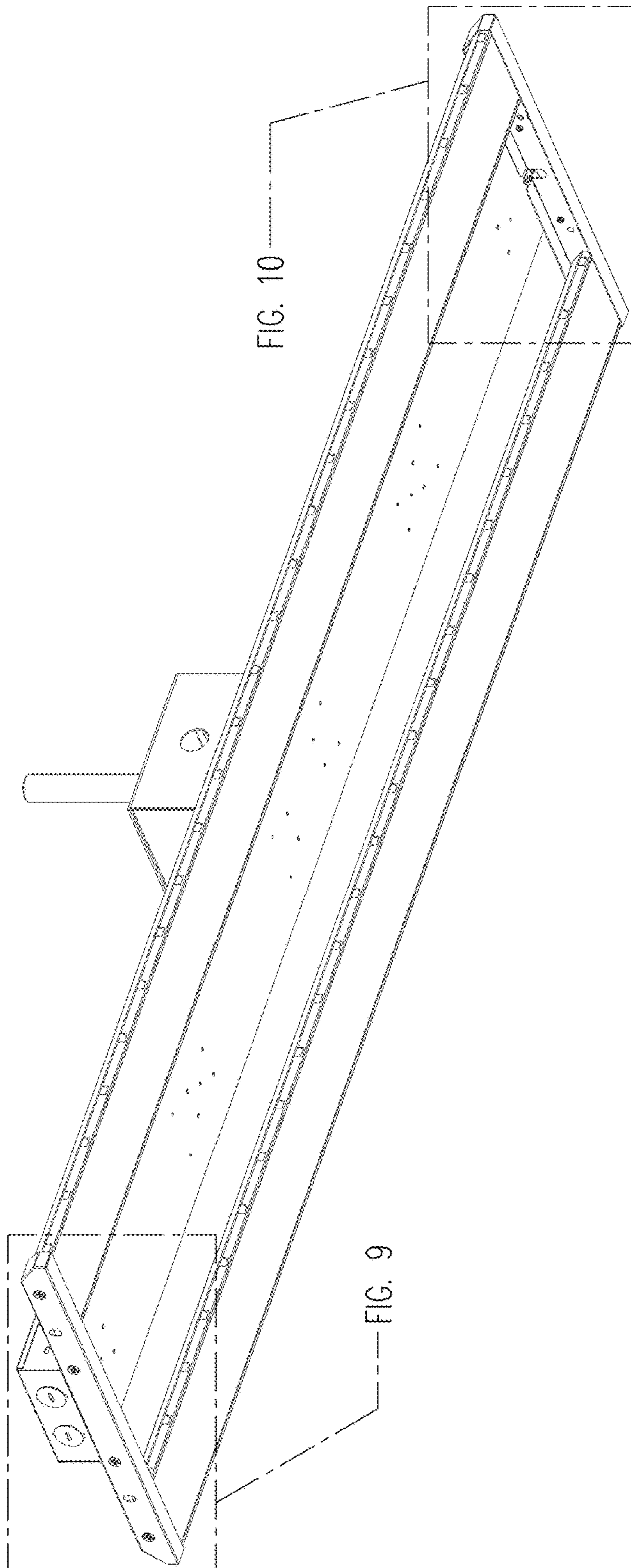


FIG. 1

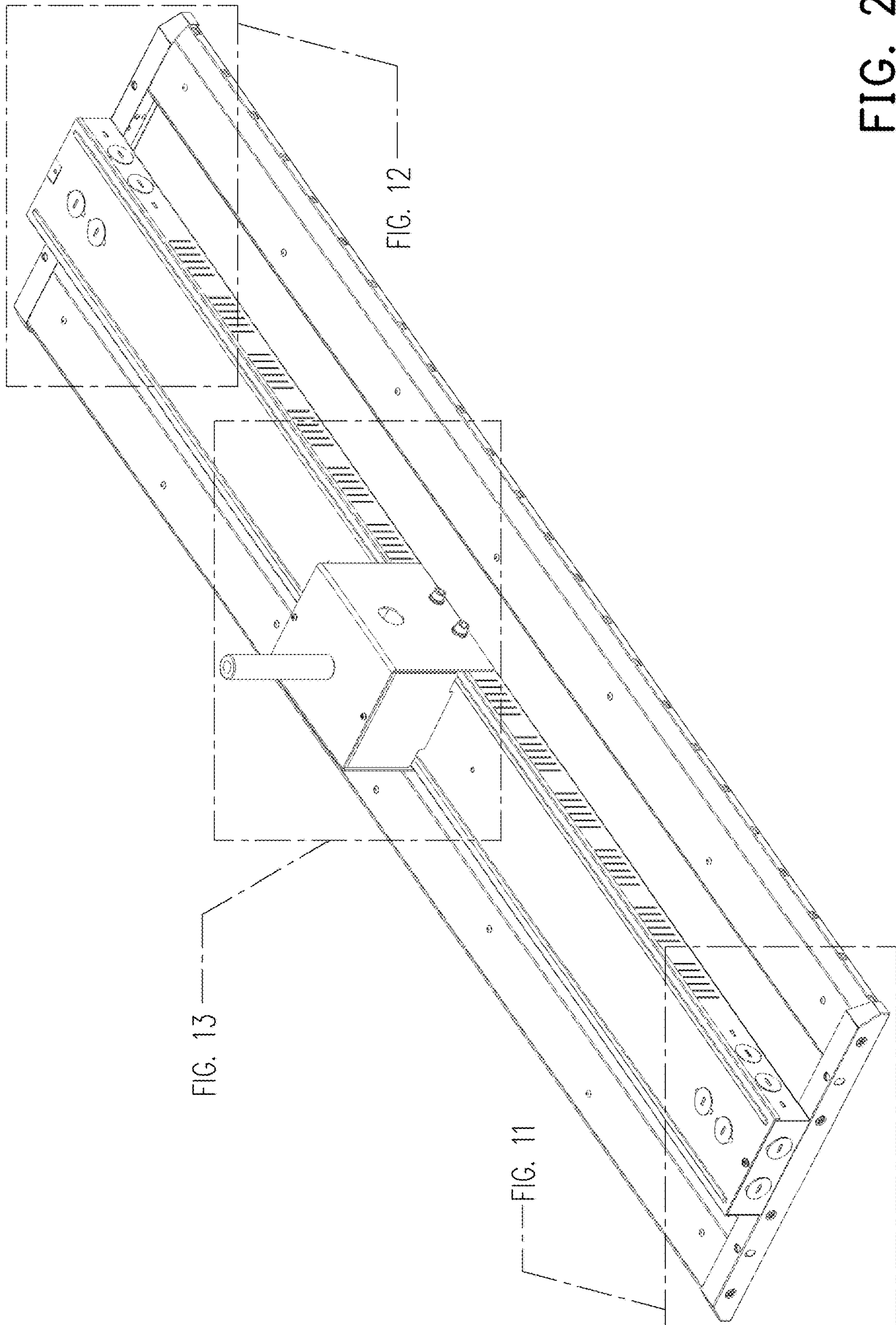


FIG. 2

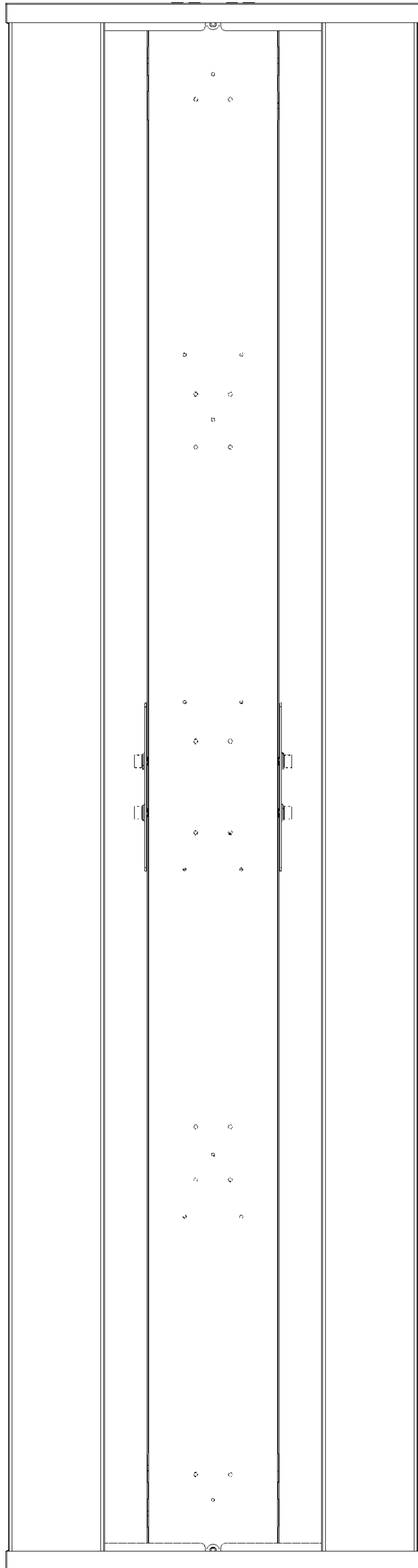


FIG. 3

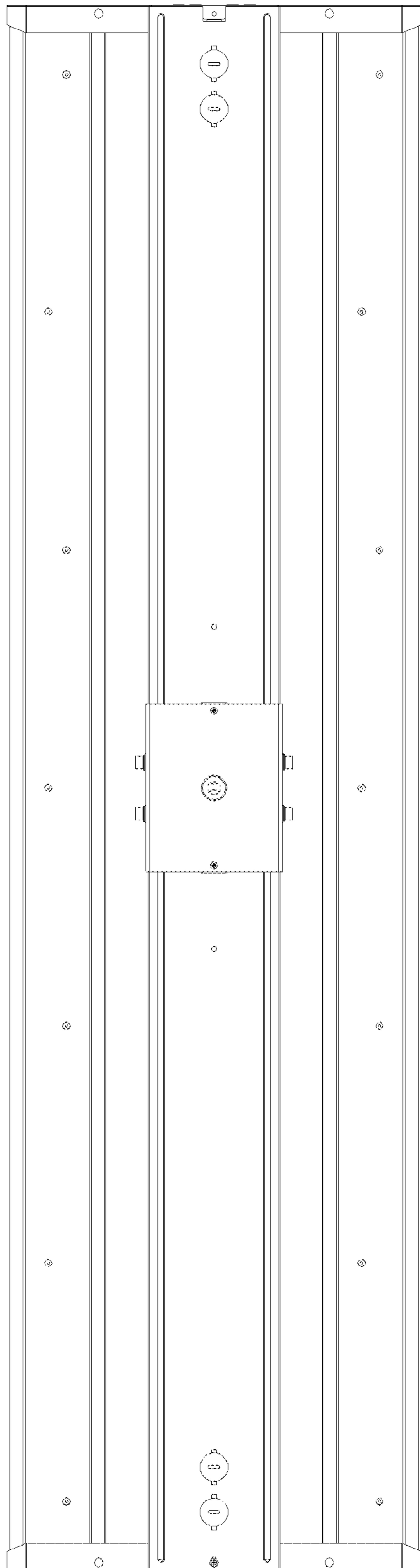


FIG. 4

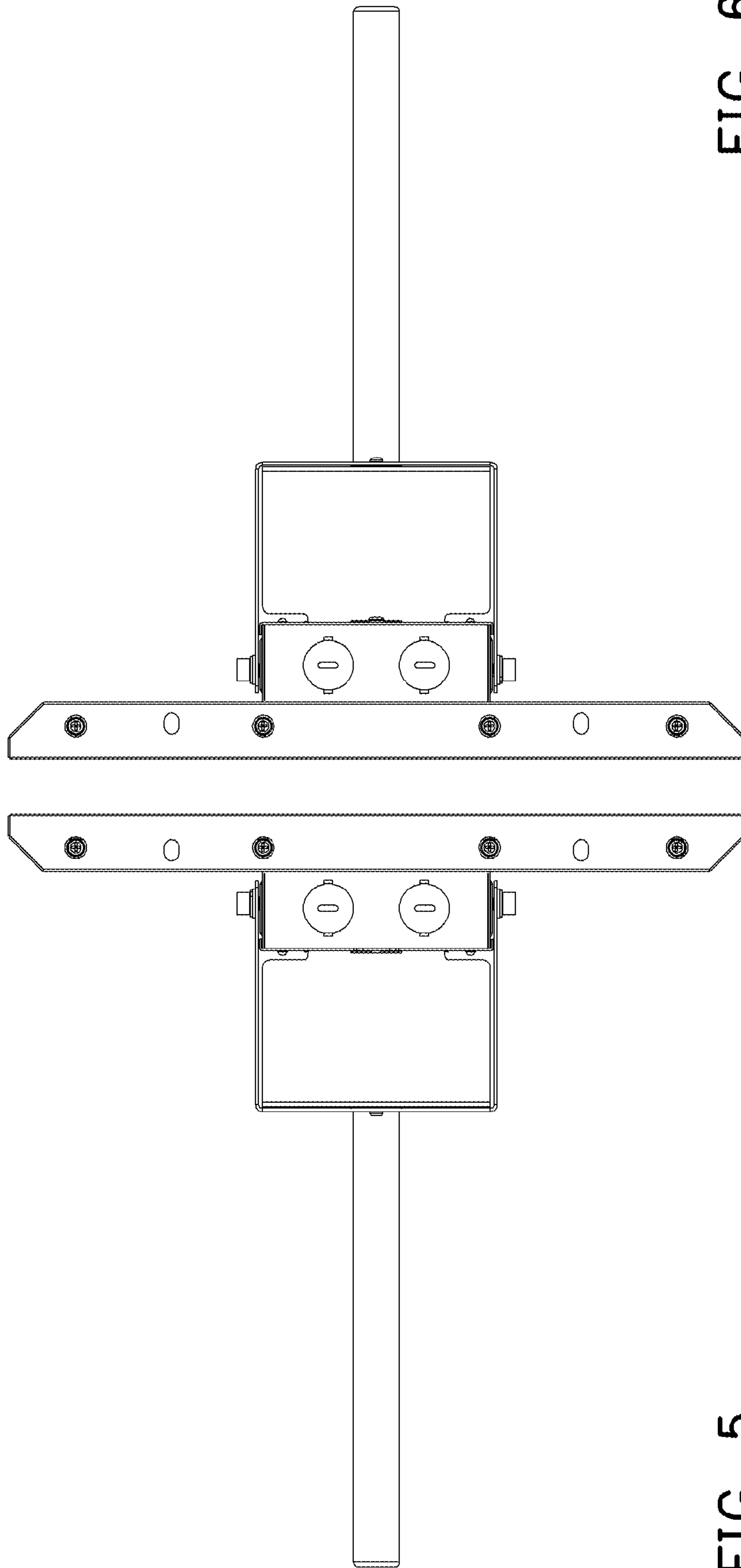


FIG. 6

FIG. 5

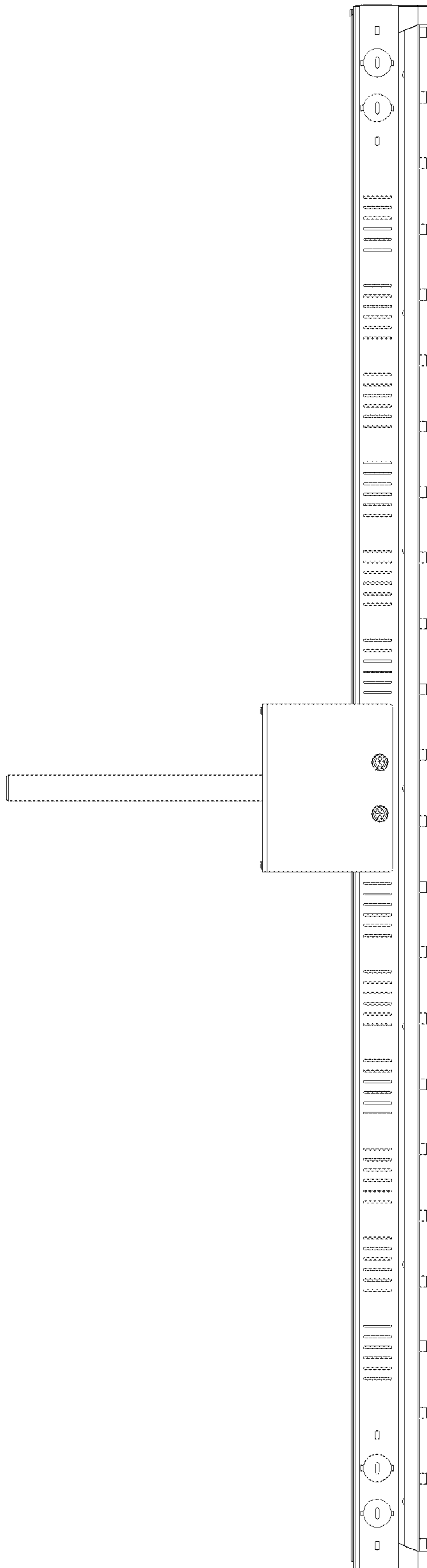


FIG. 7



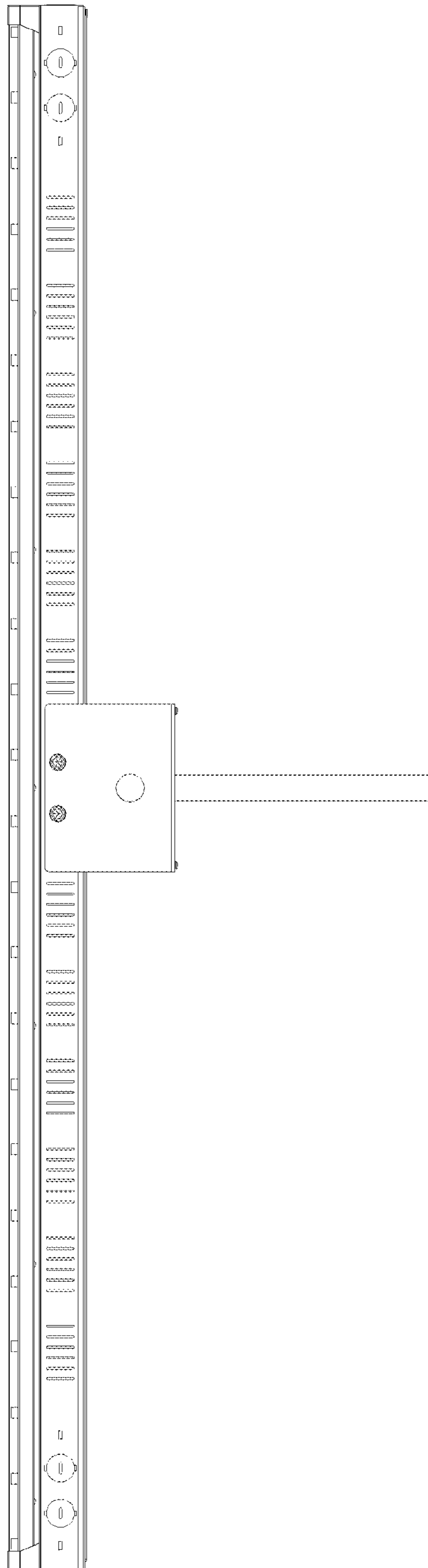


FIG. 8

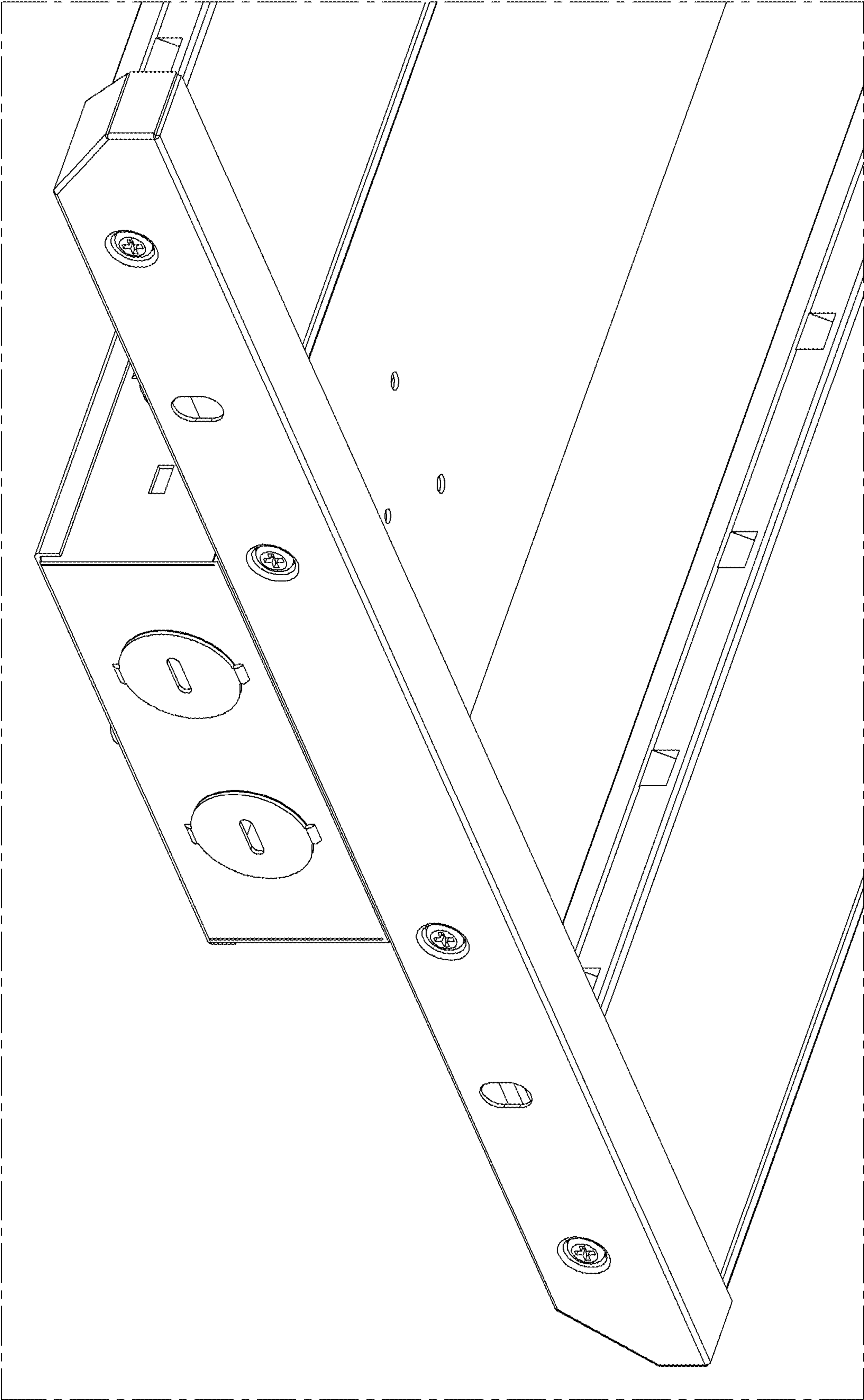


FIG. 9

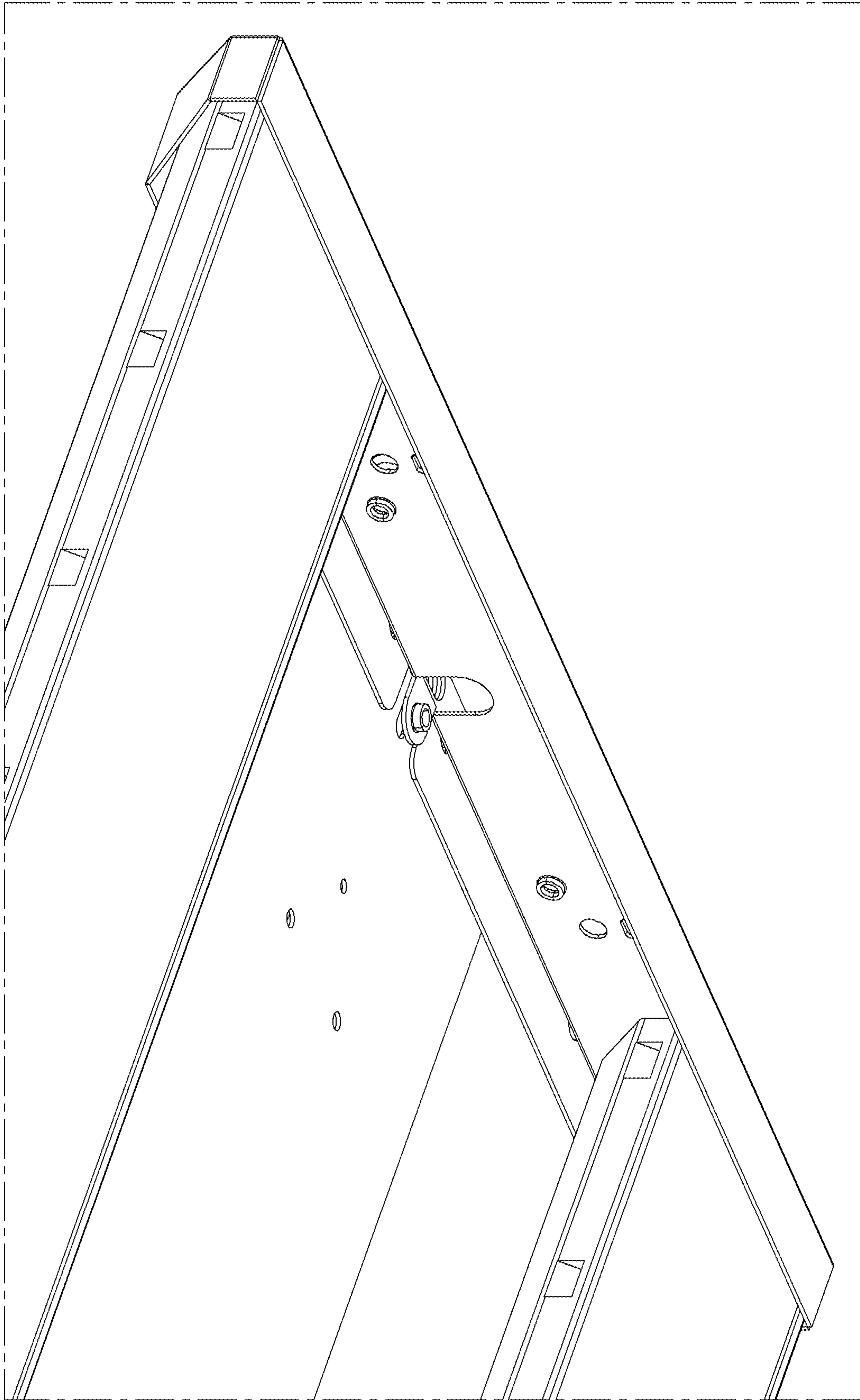


FIG. 10

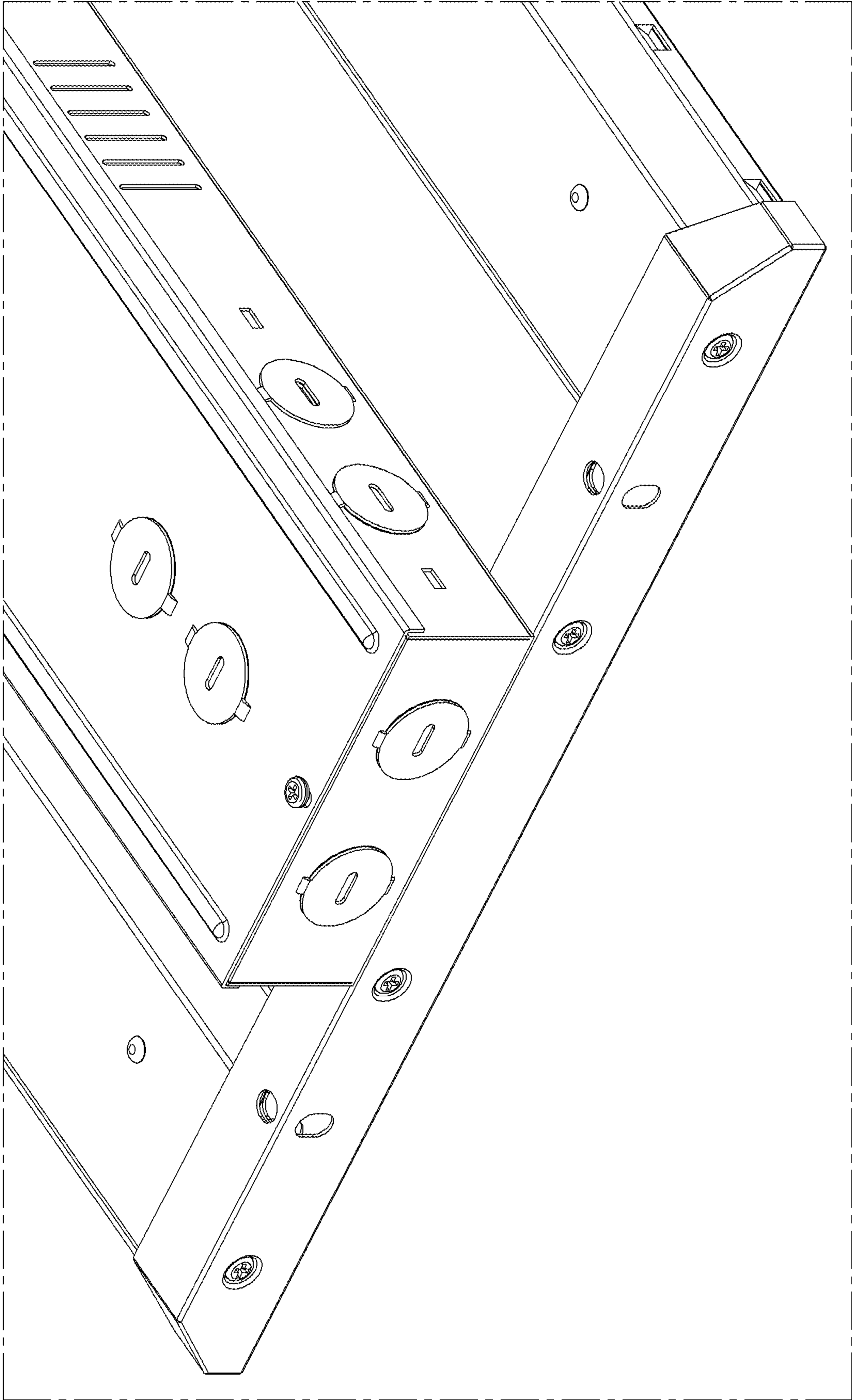


FIG. 11

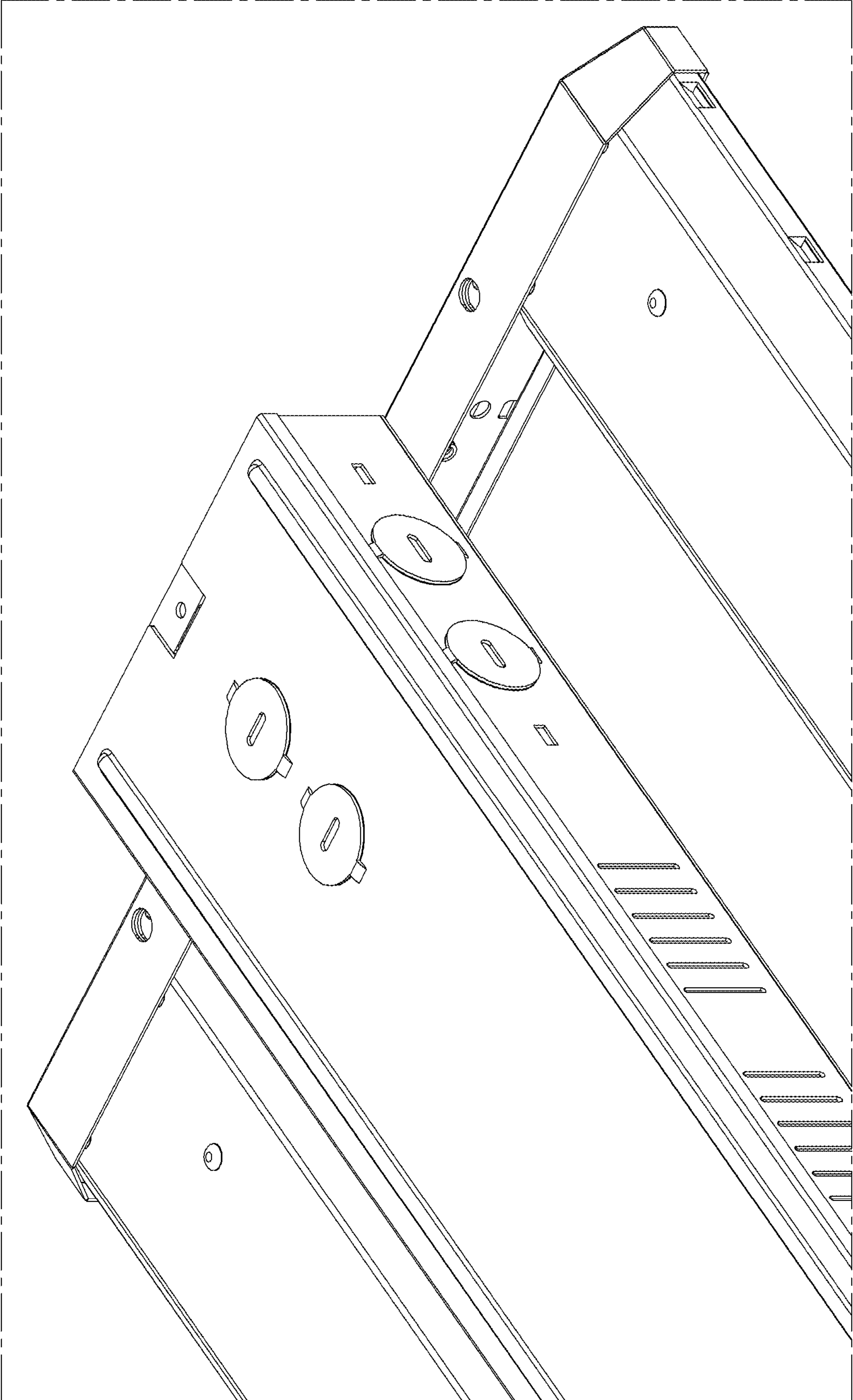
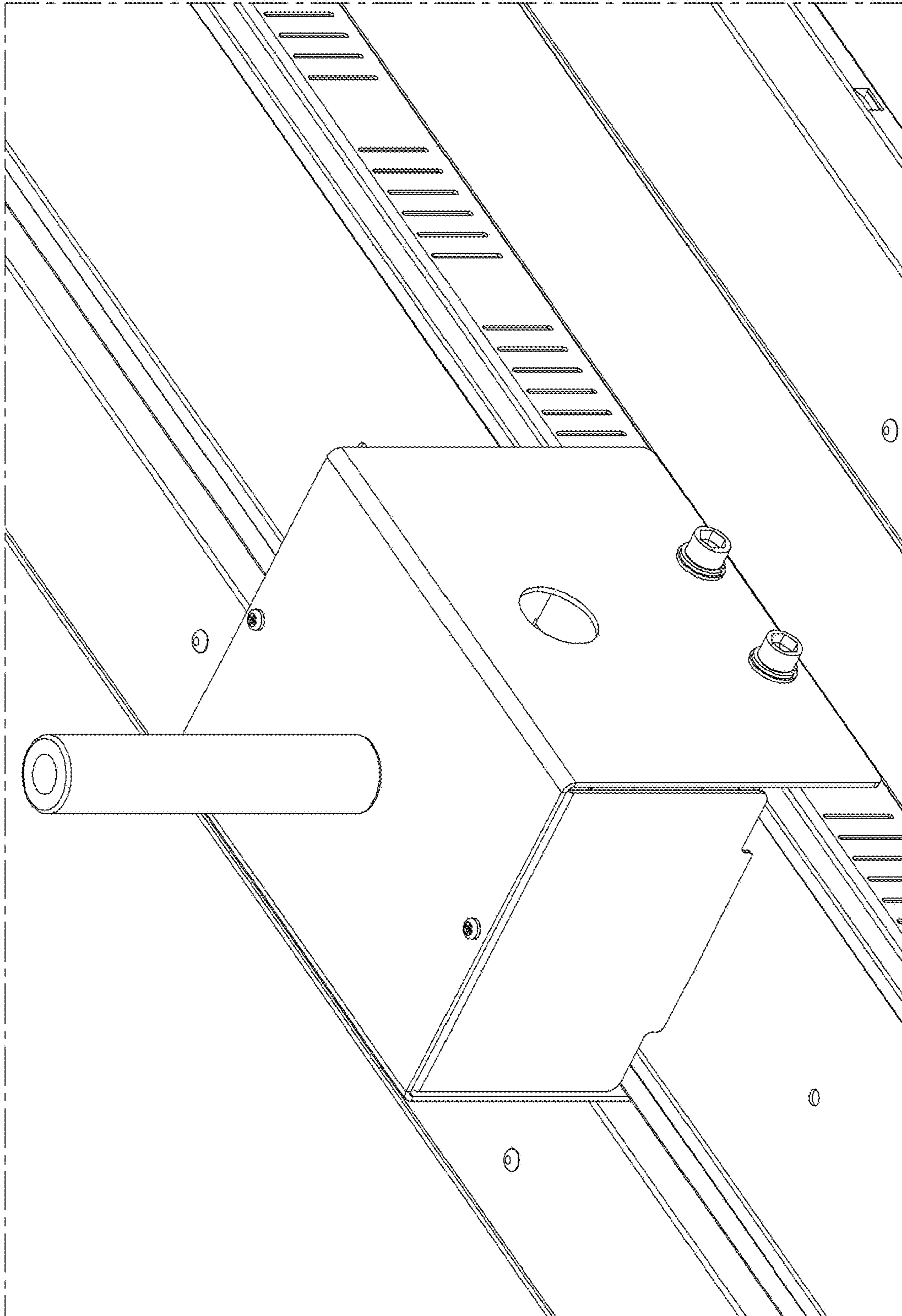


FIG. 12

FIG. 13



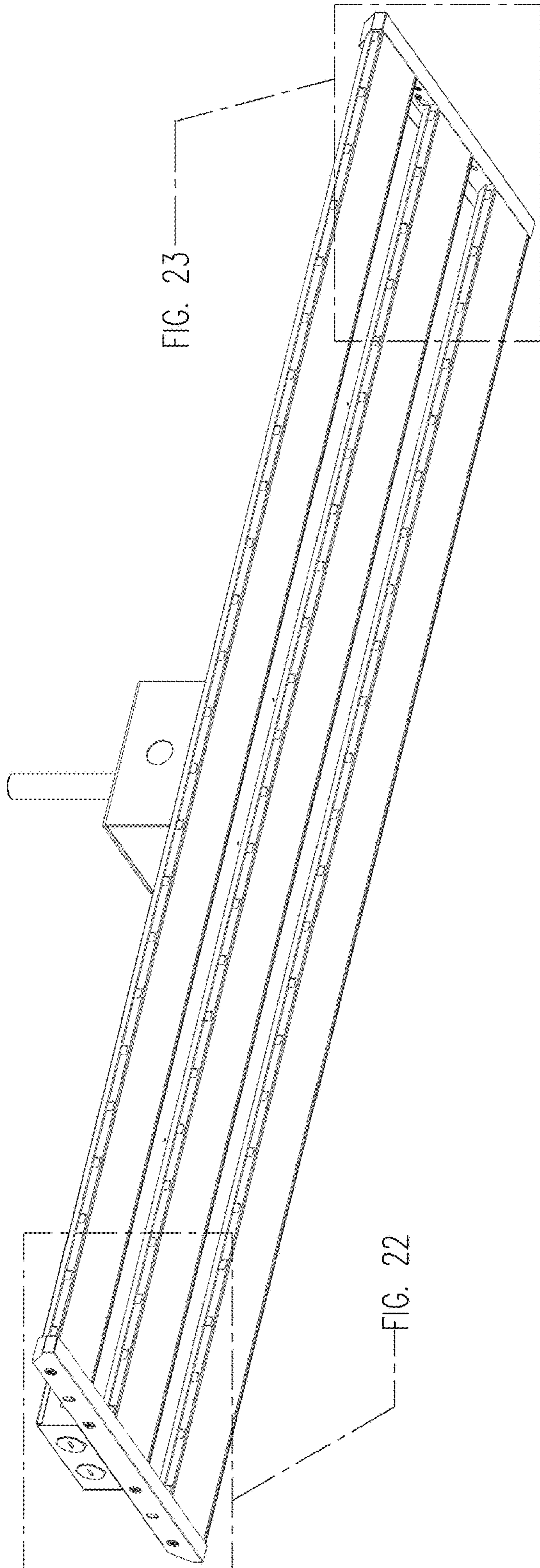


FIG. 14

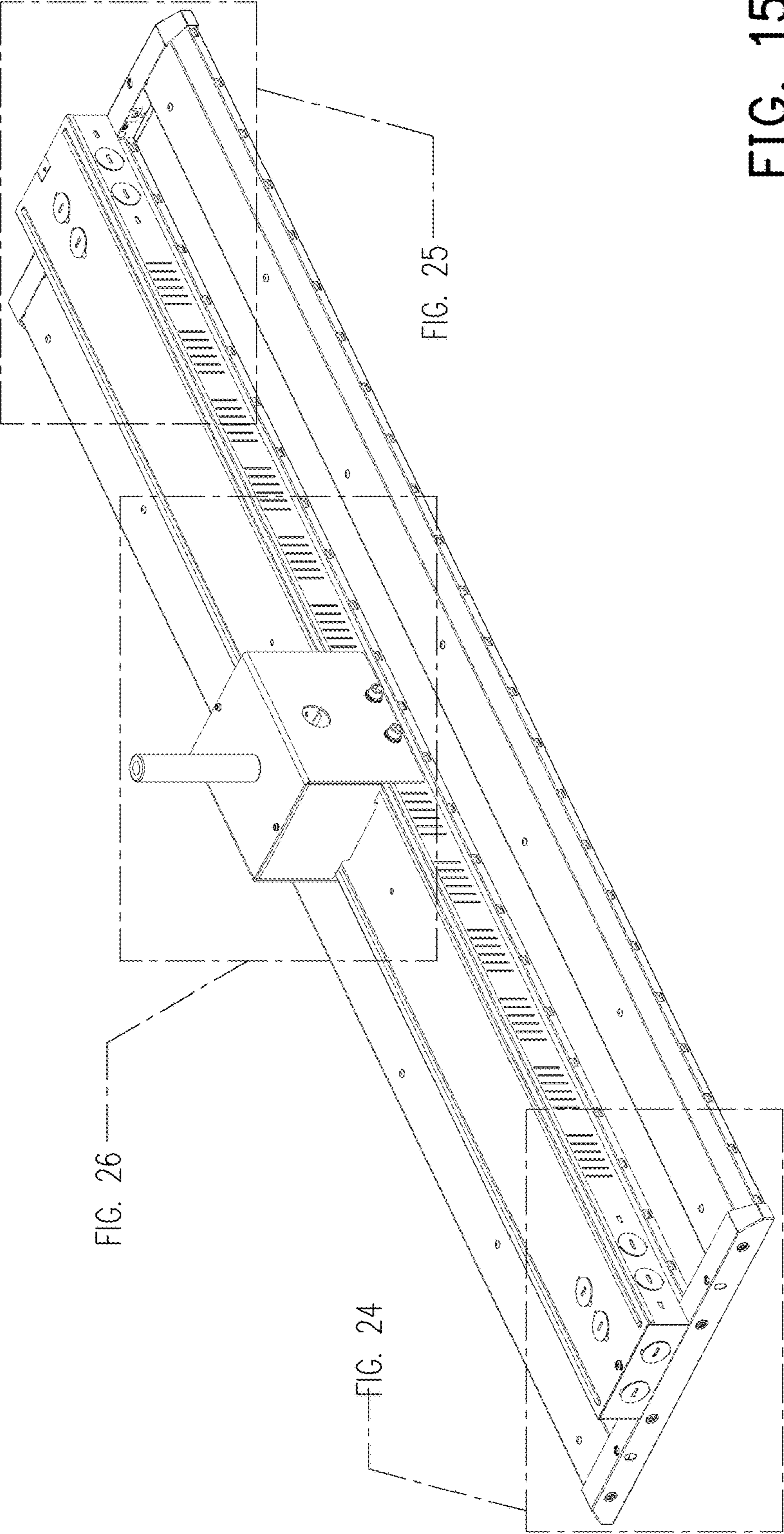


FIG. 15



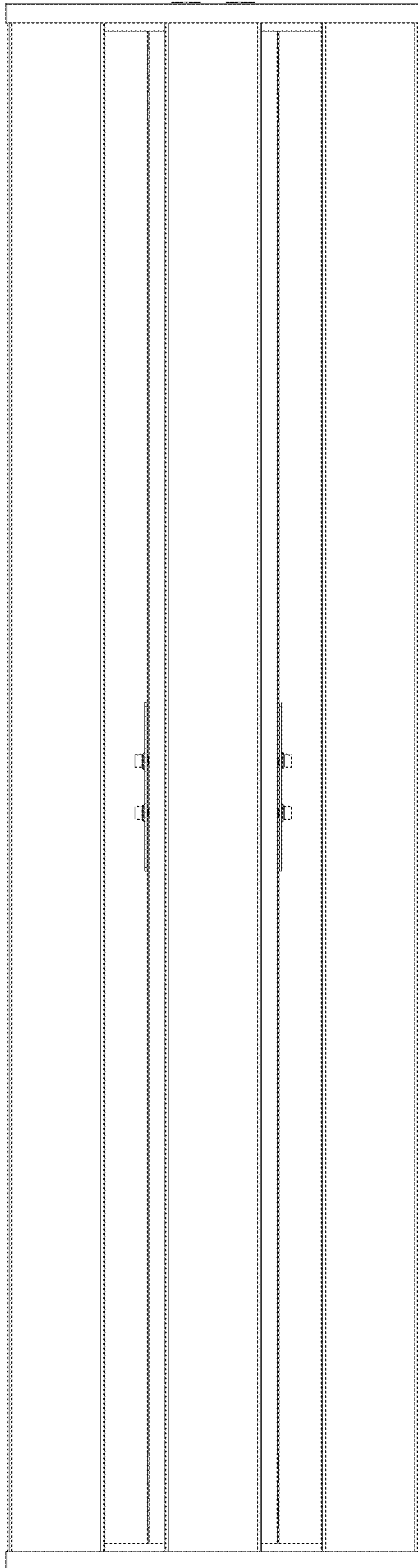


FIG. 16

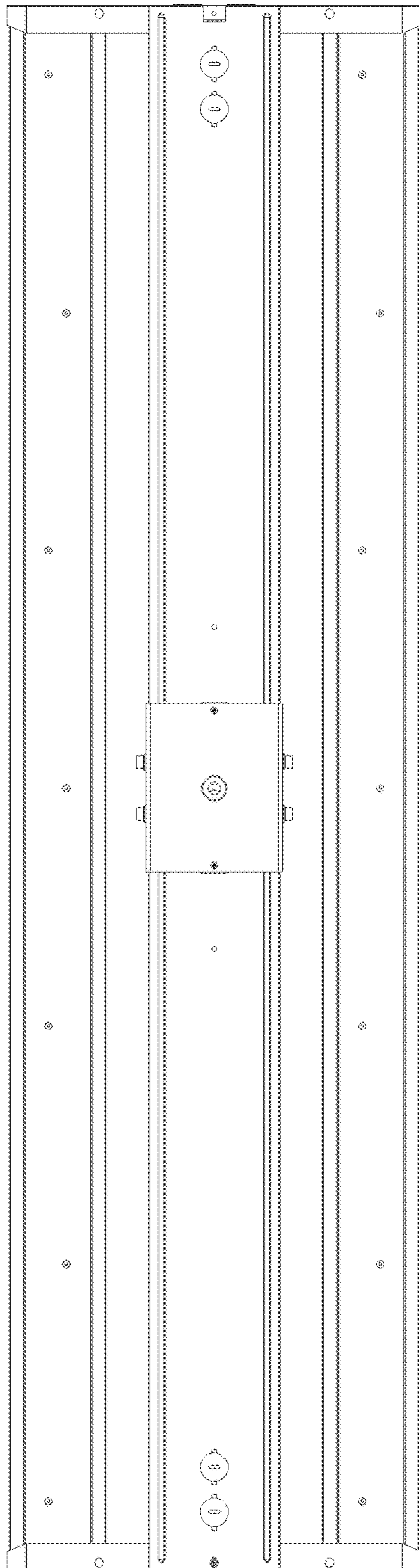


FIG. 17

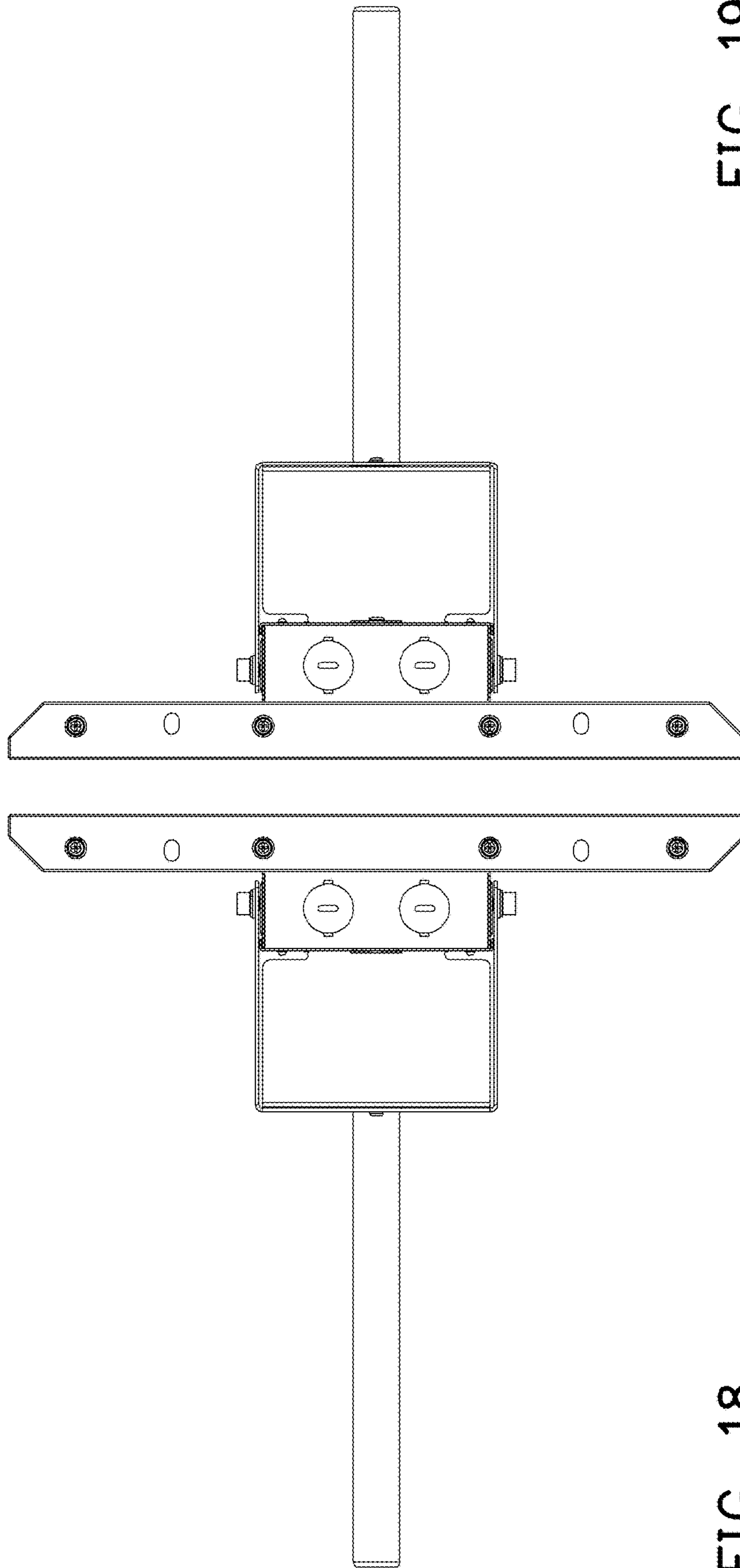


FIG. 19

FIG. 18

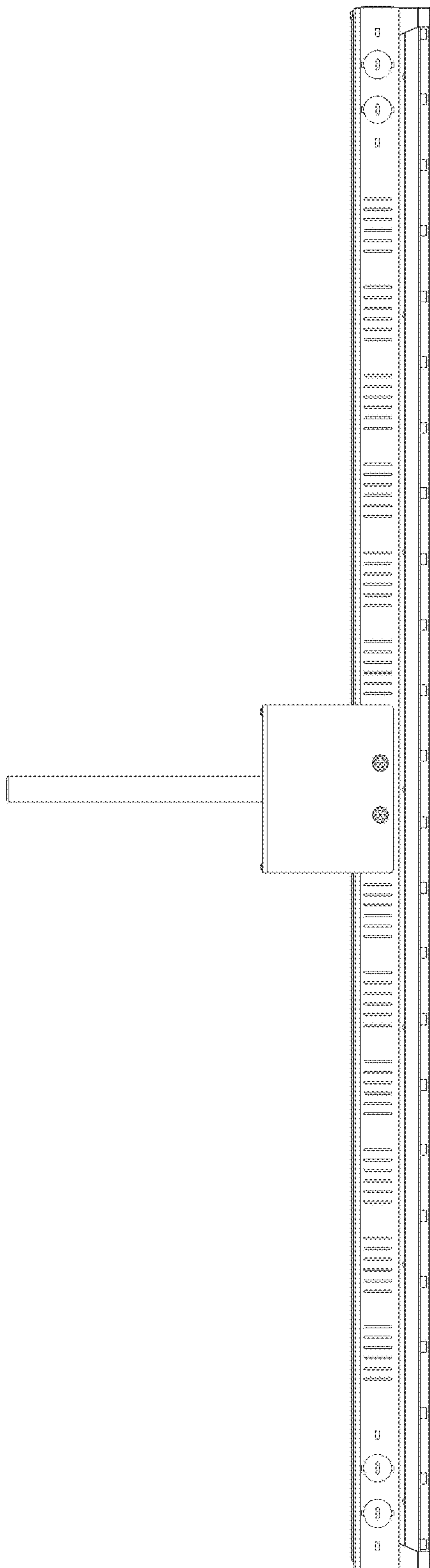


FIG. 20

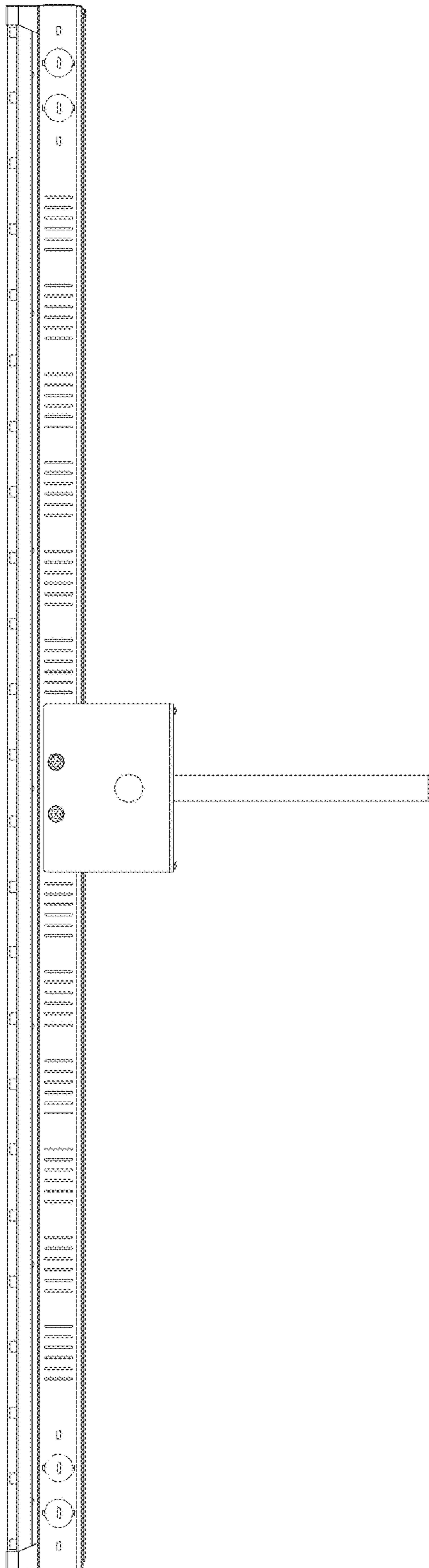


FIG. 21

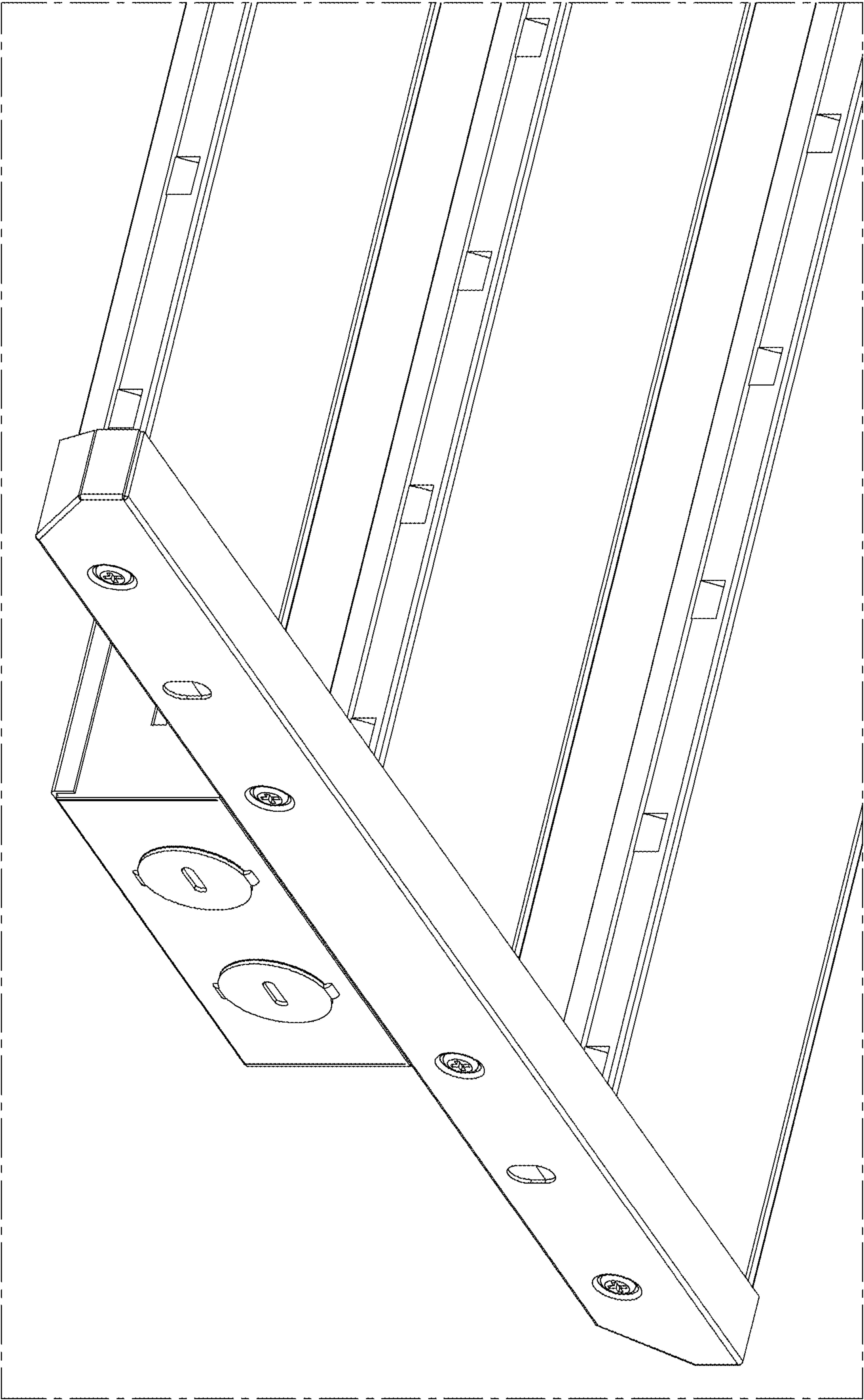


FIG. 22

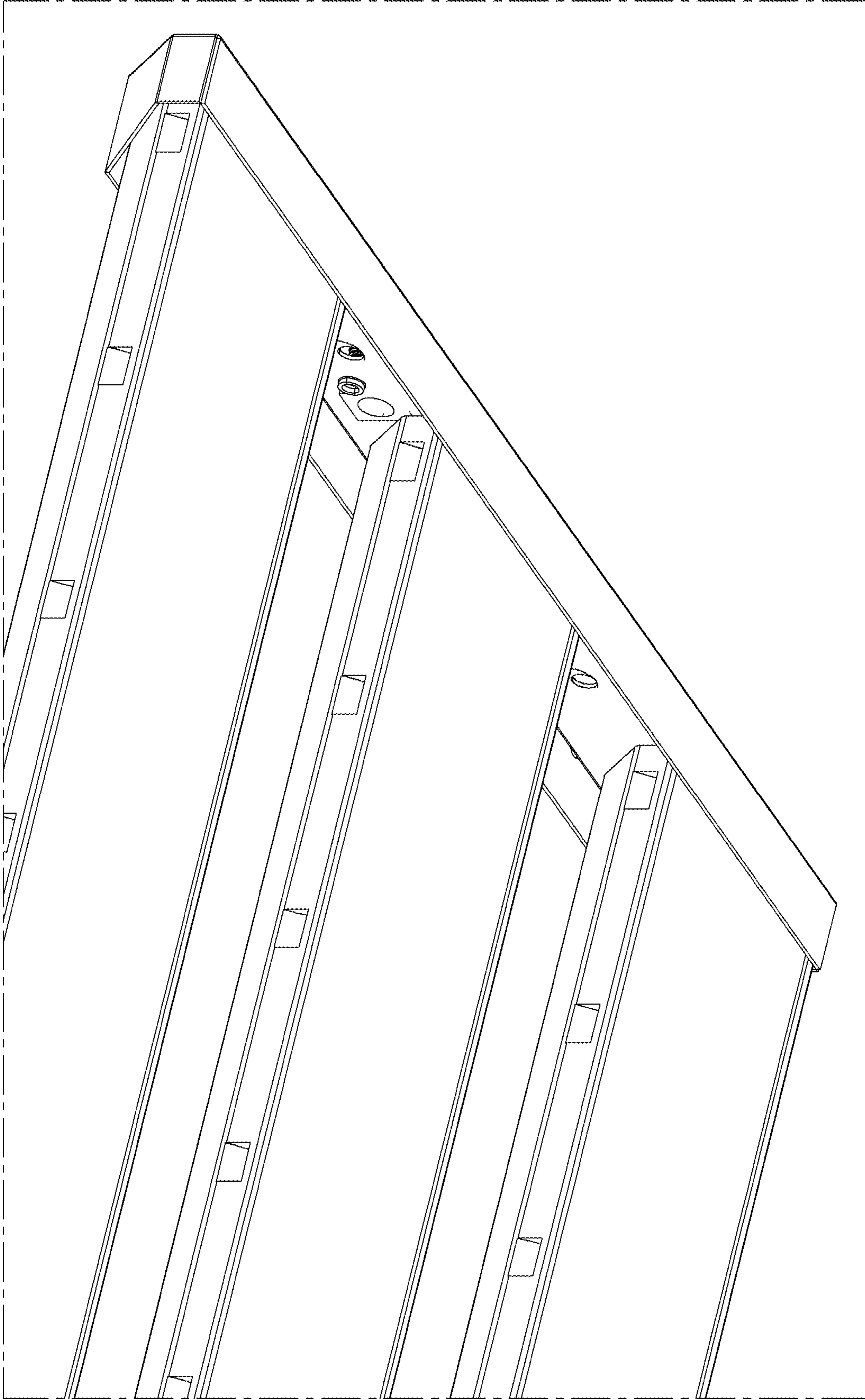


FIG. 23

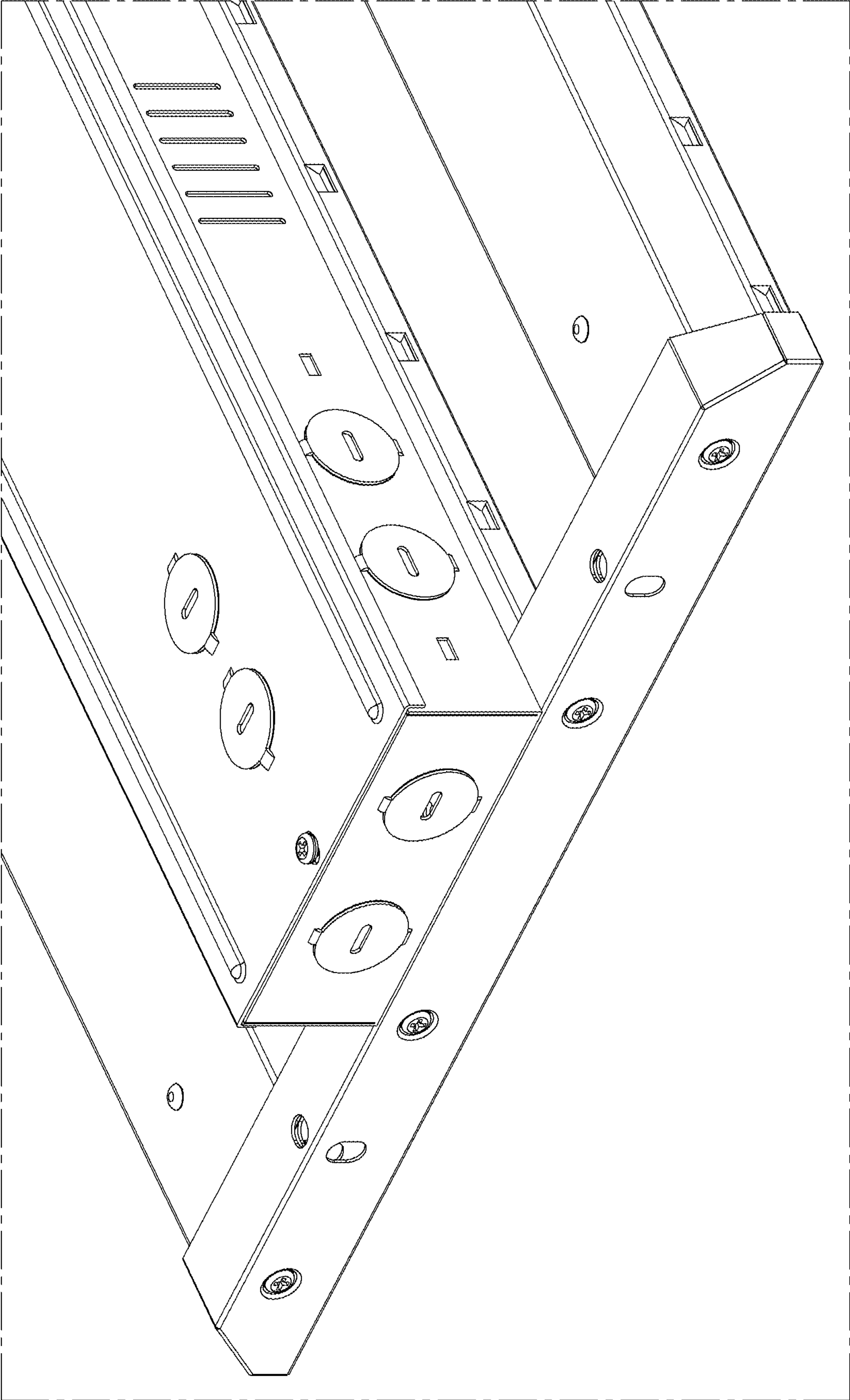


FIG. 24



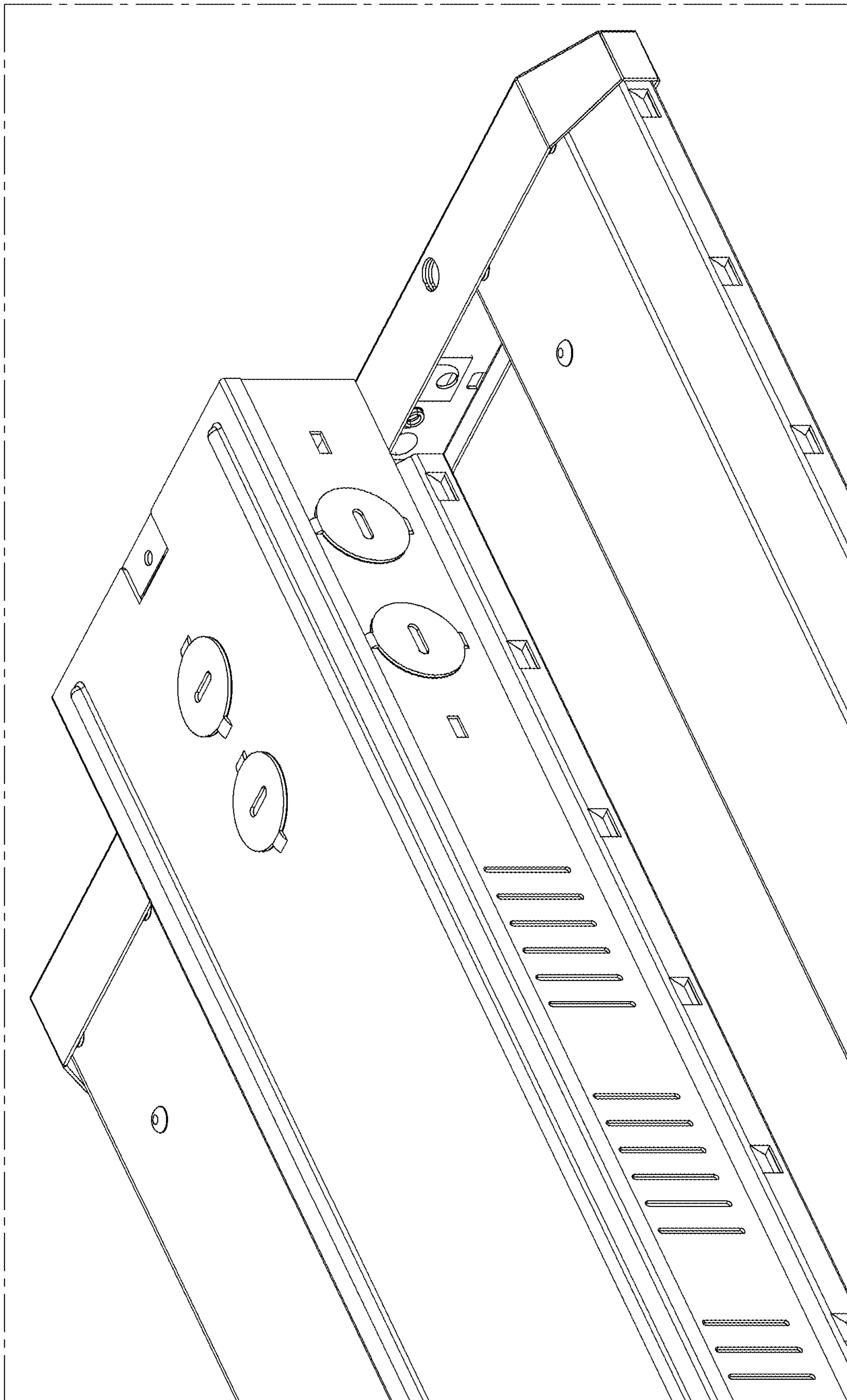
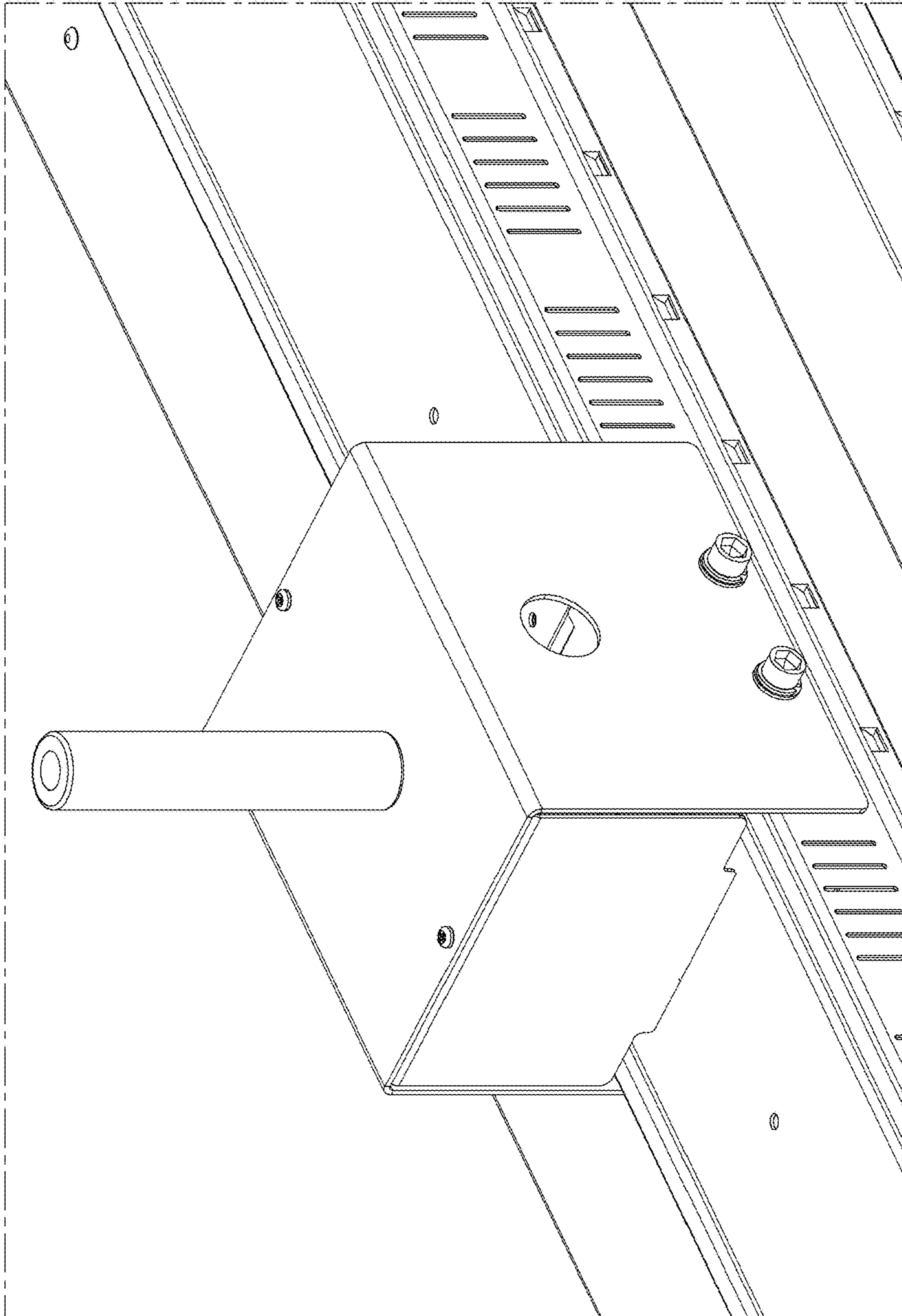


FIG. 25

FIG. 26



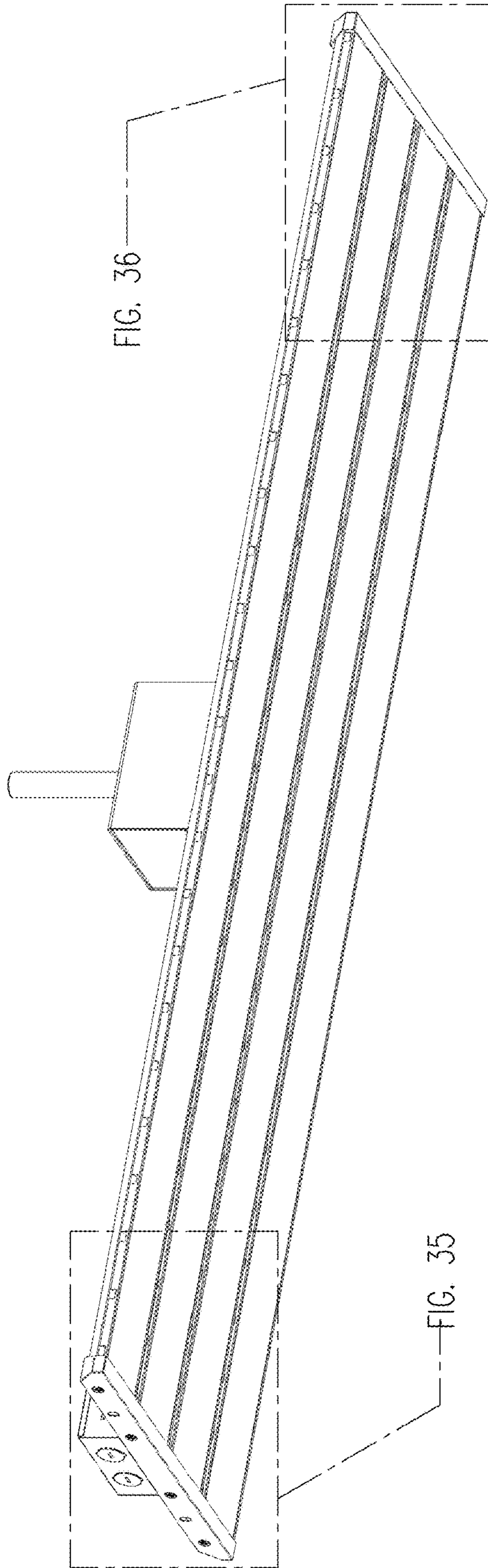


FIG. 27

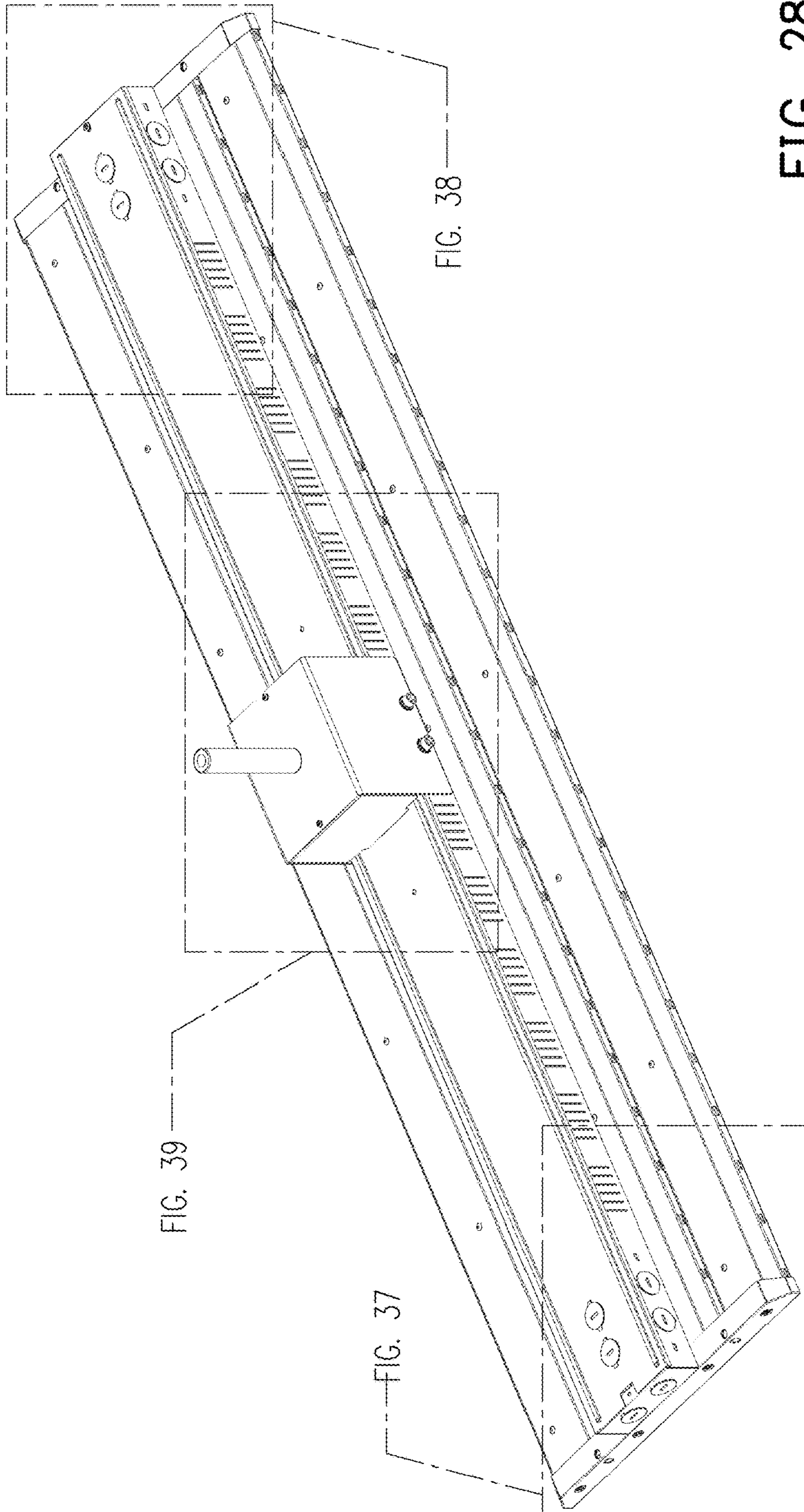


FIG. 28

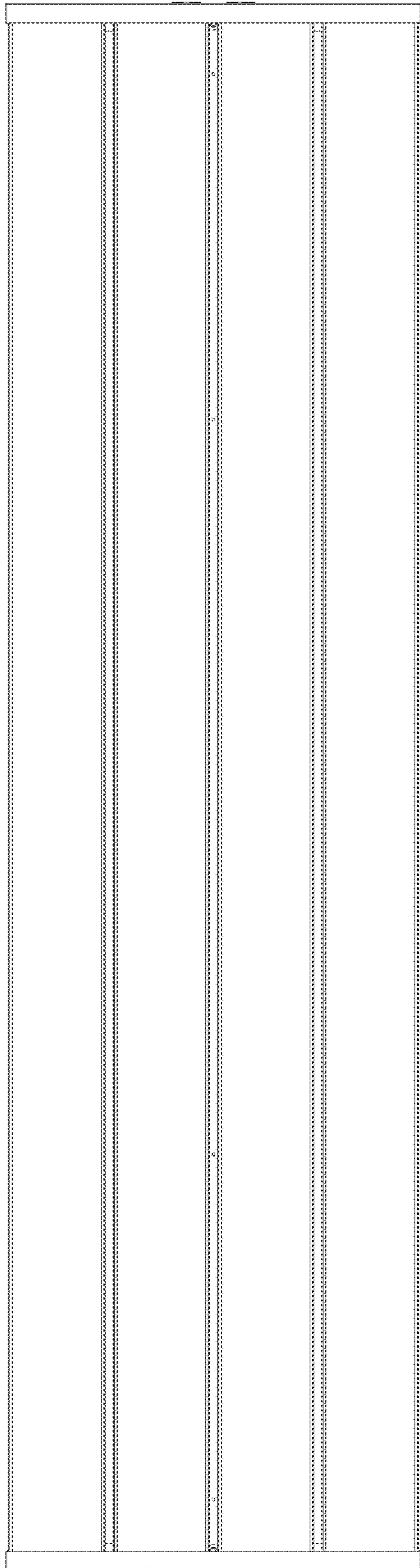


FIG. 29

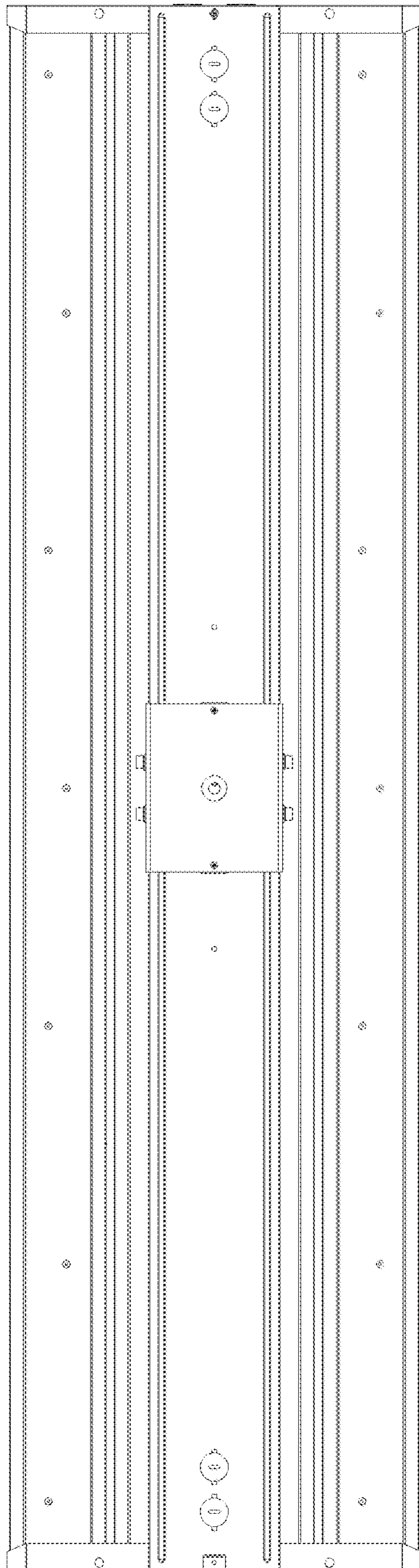


FIG. 30

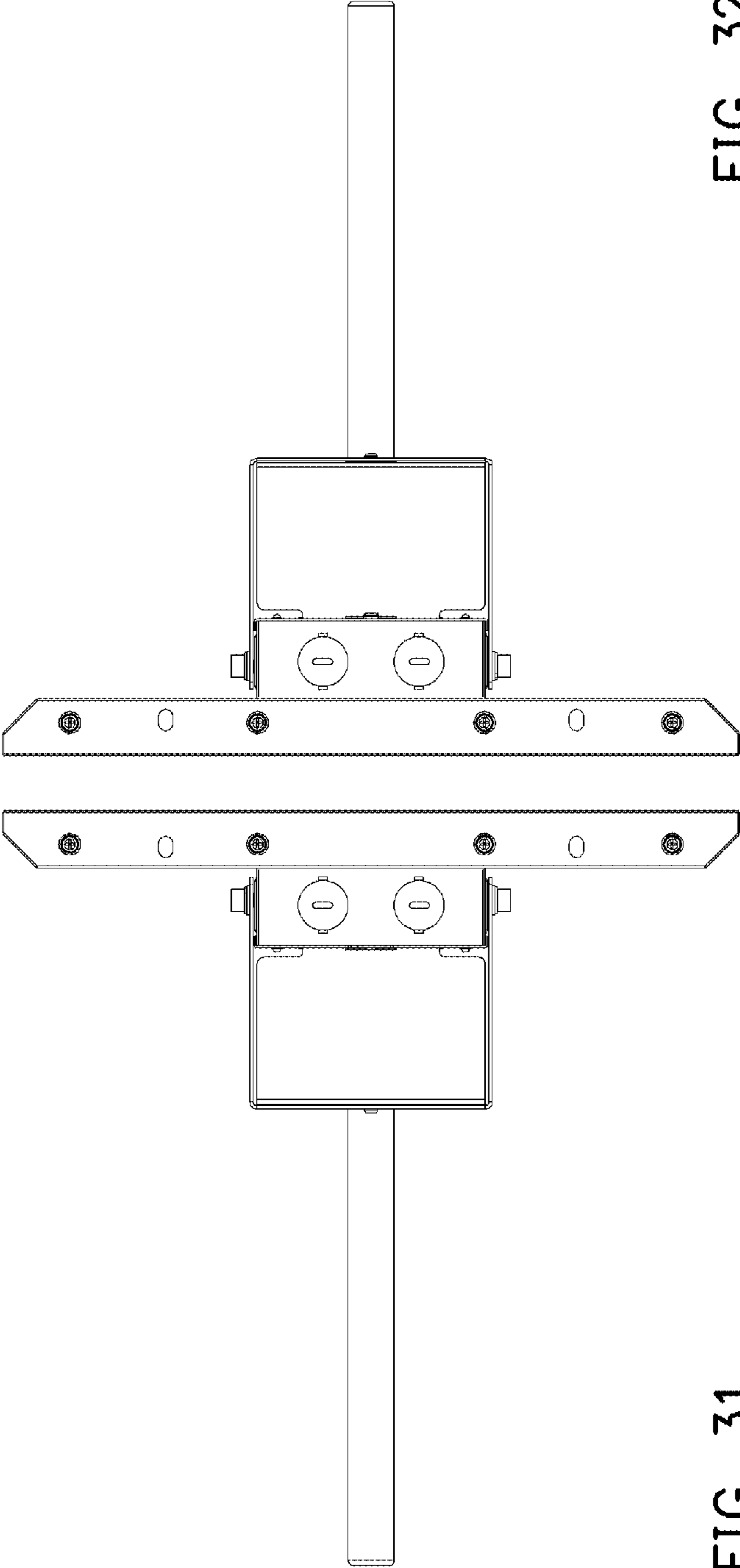


FIG. 32

FIG. 31

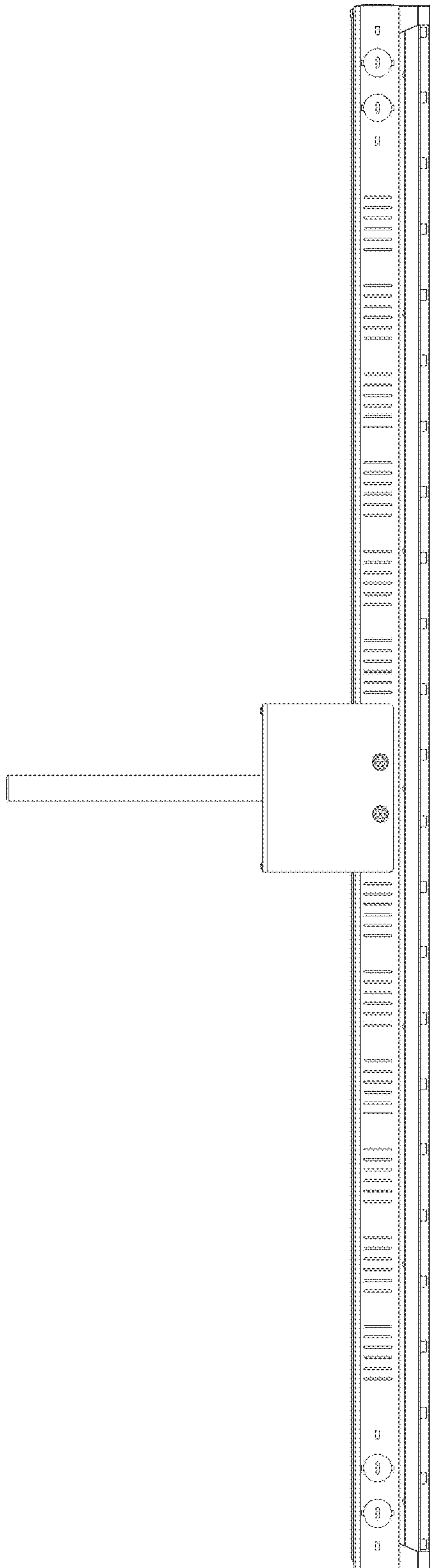


FIG. 33



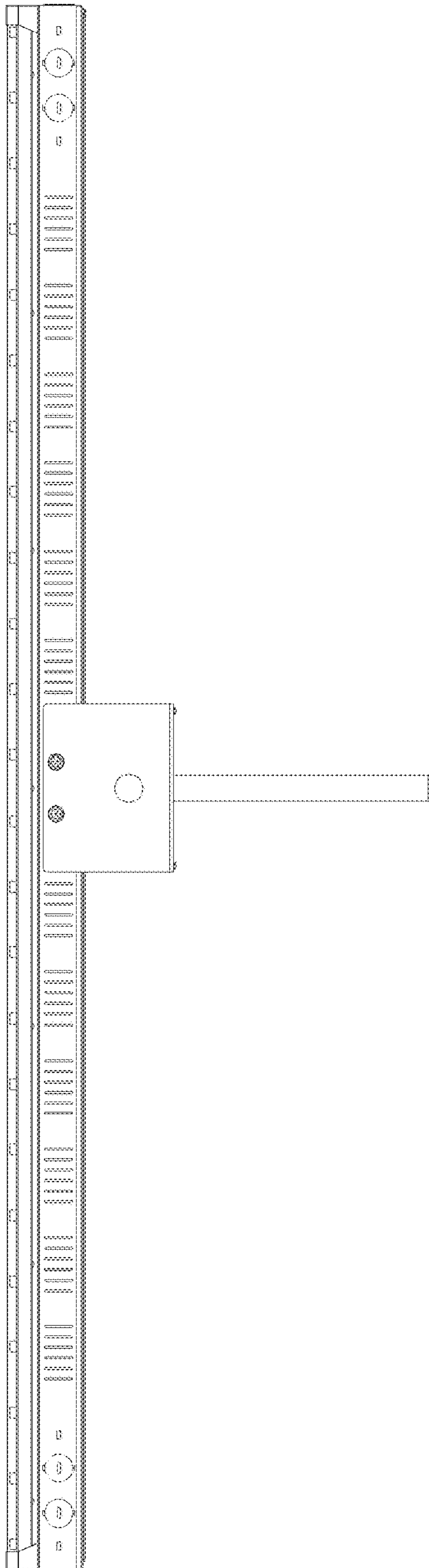


FIG. 34

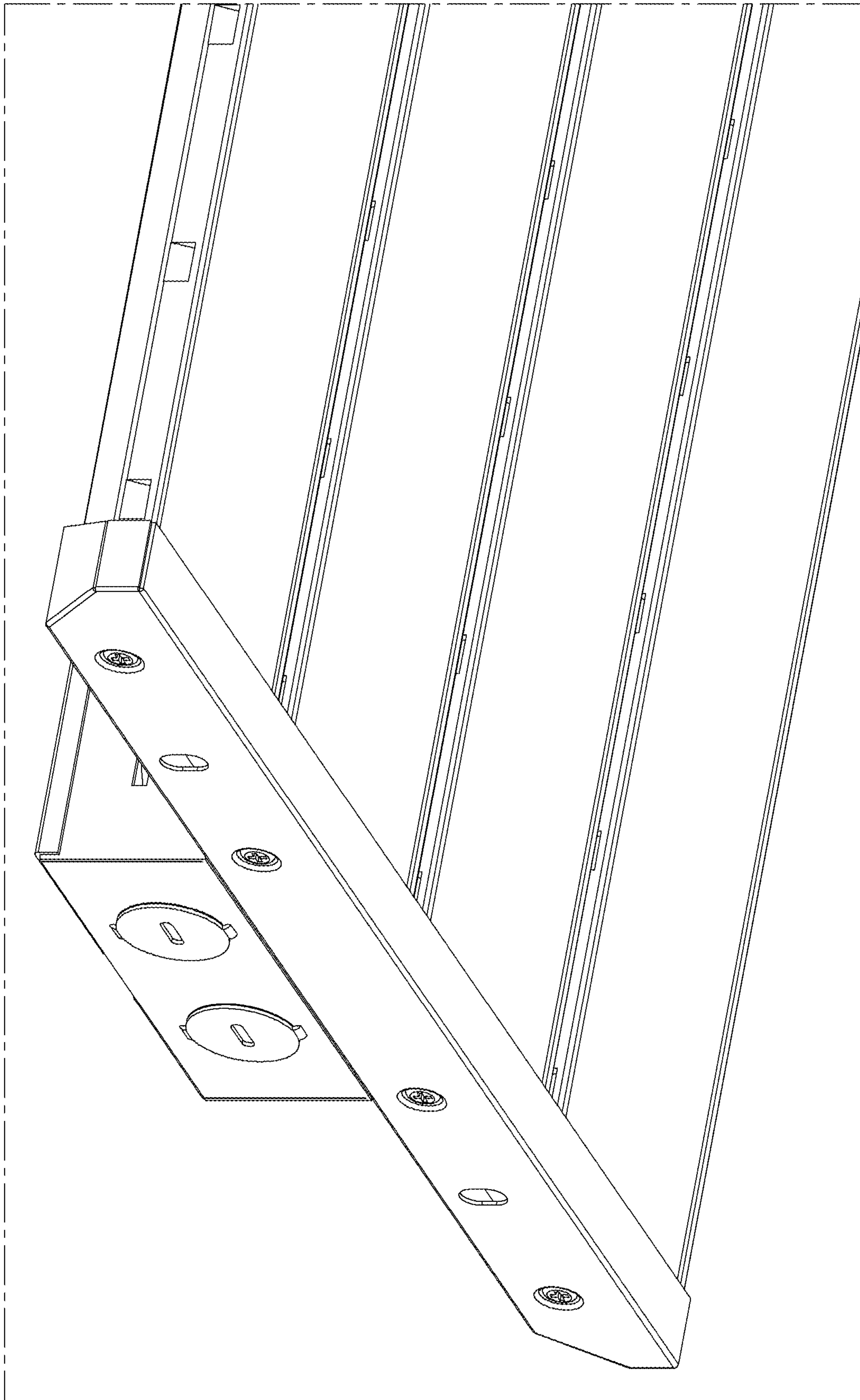


FIG. 35

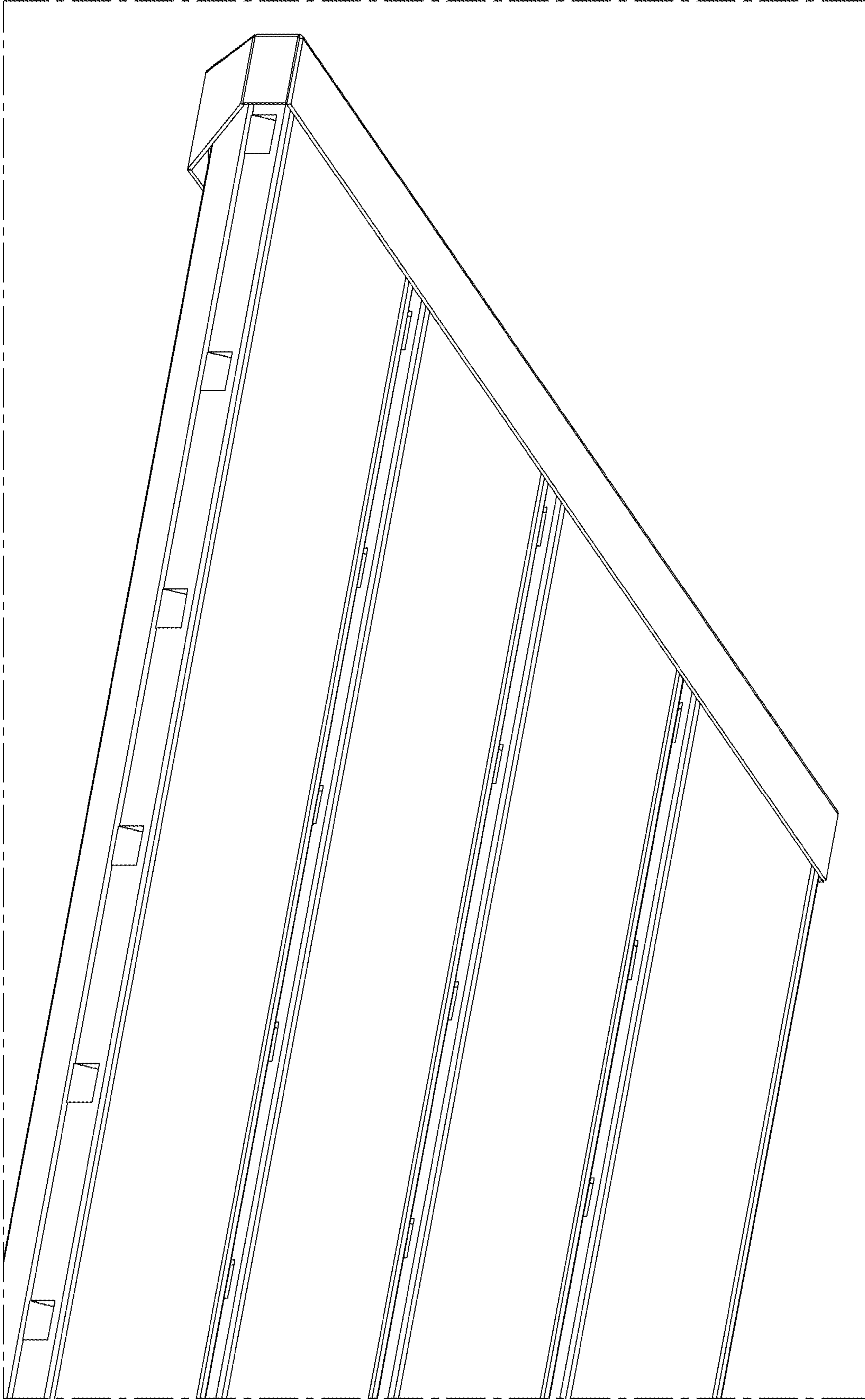


FIG. 36

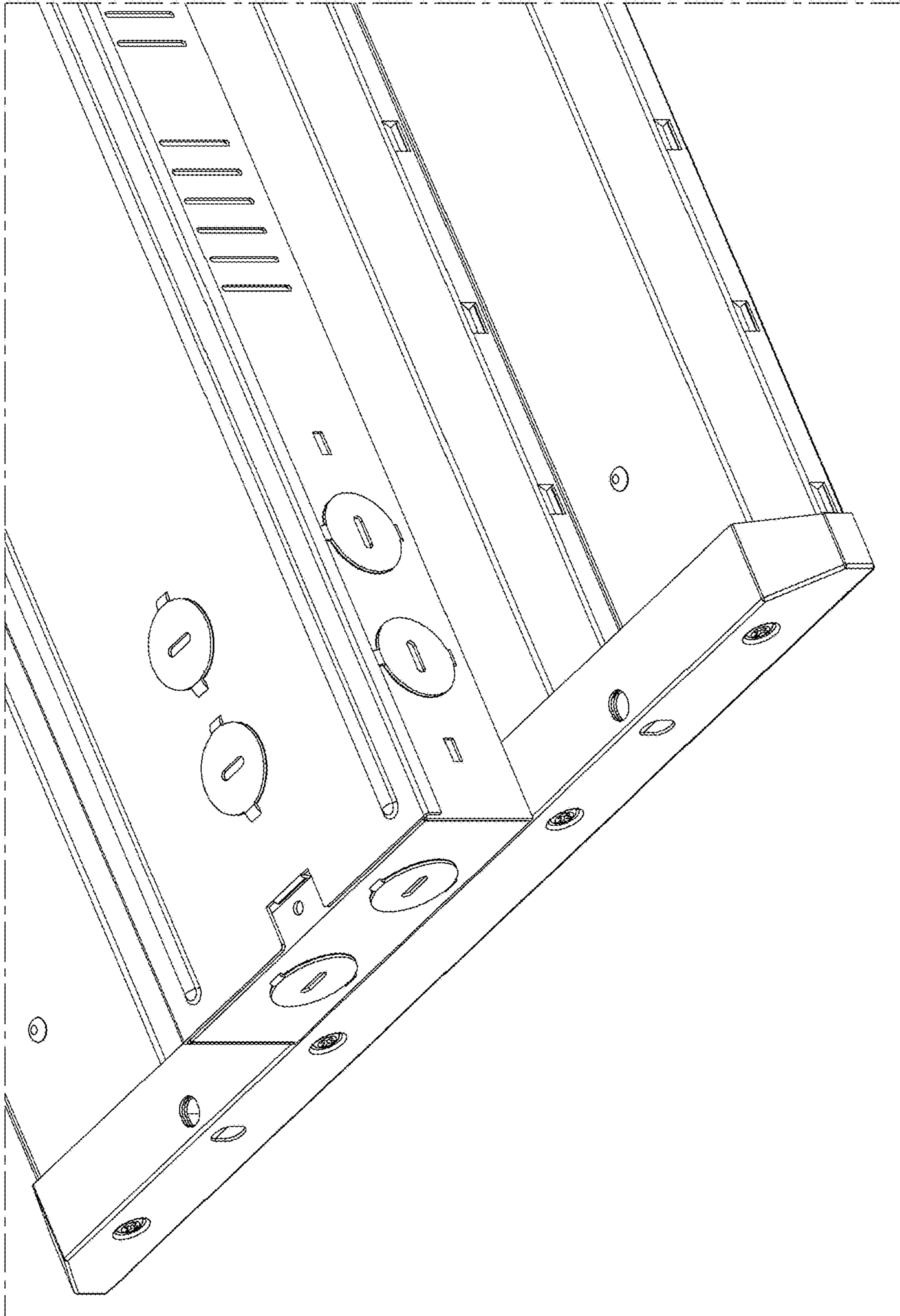
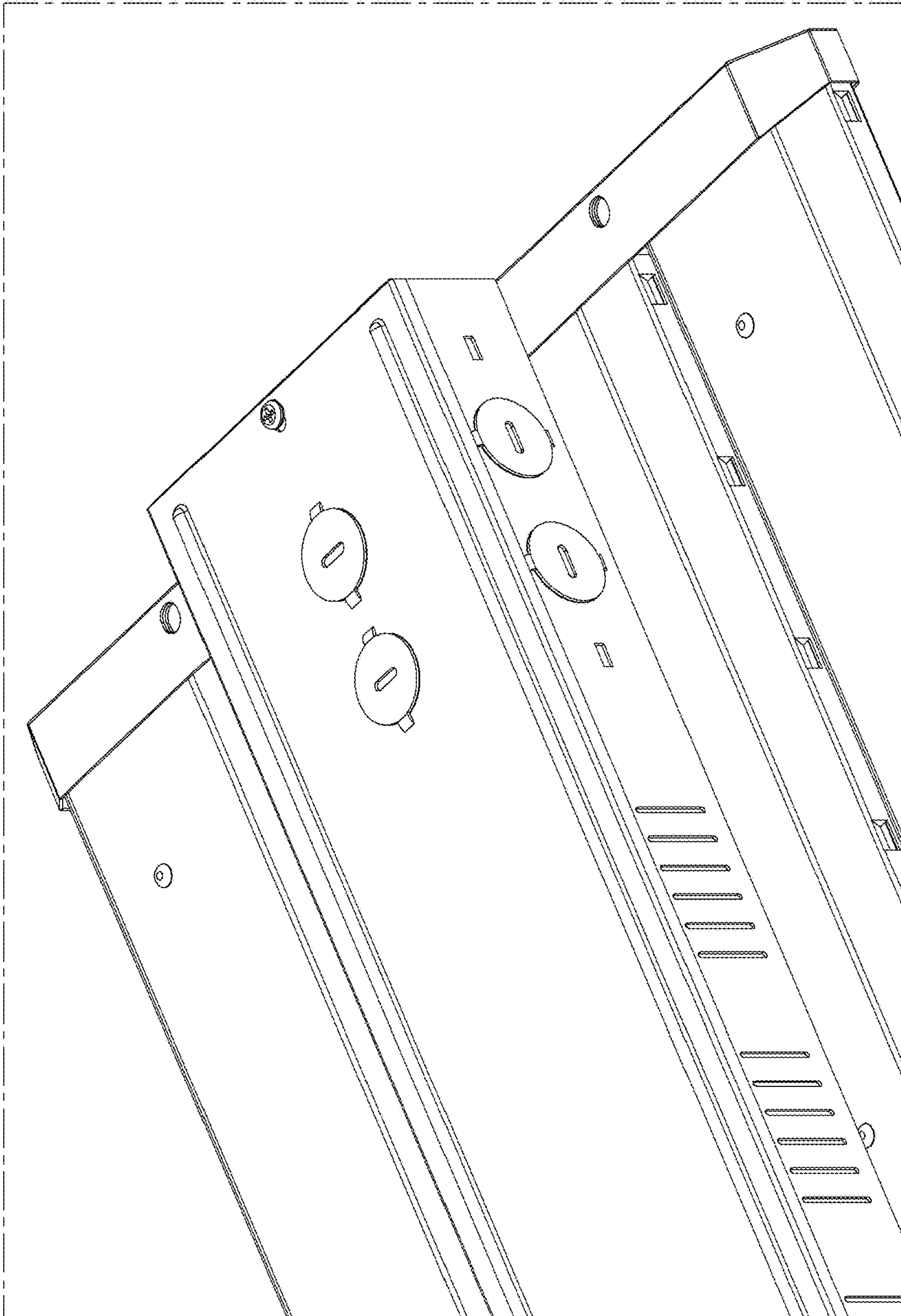


FIG. 37

FIG. 38



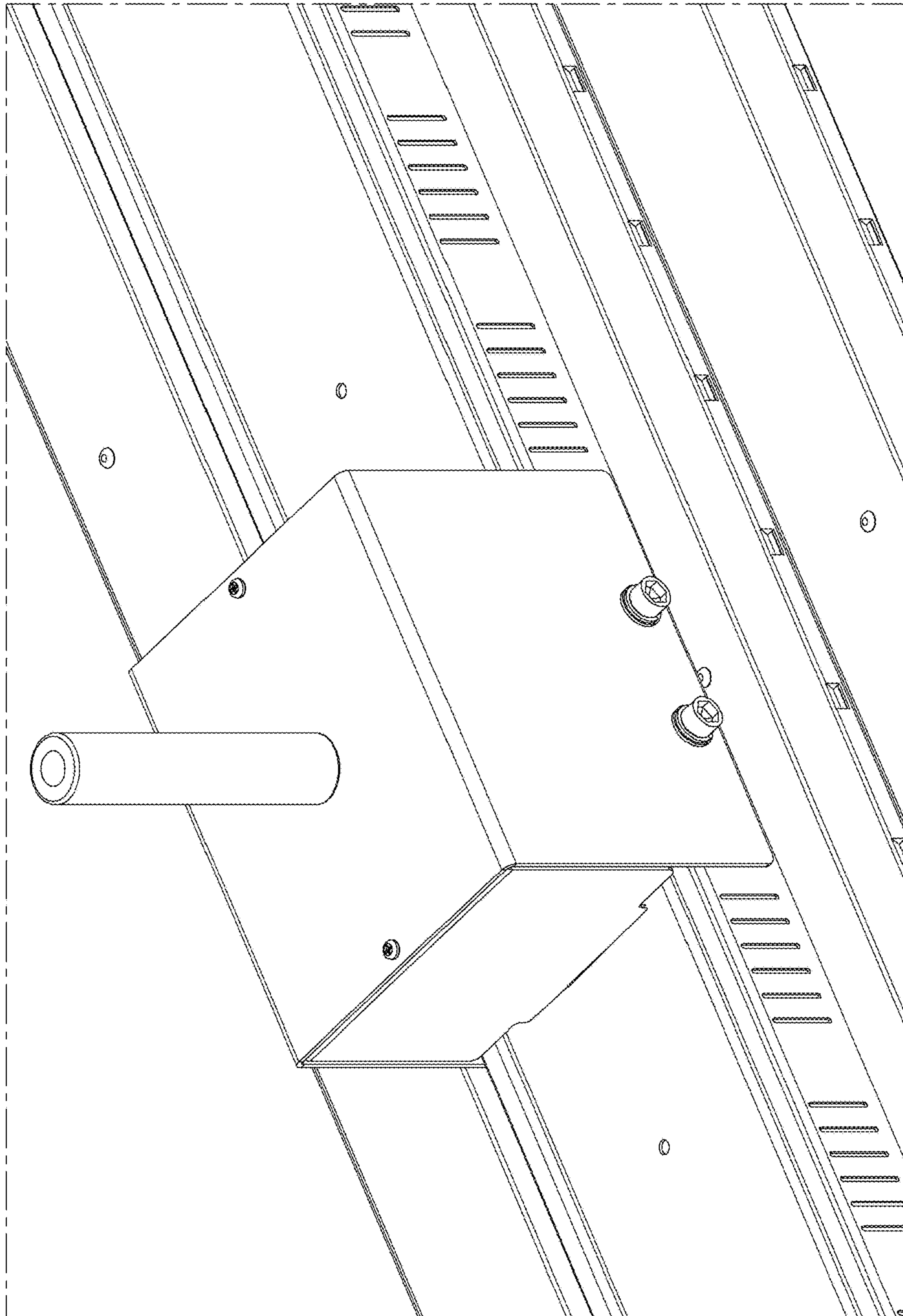


FIG. 39

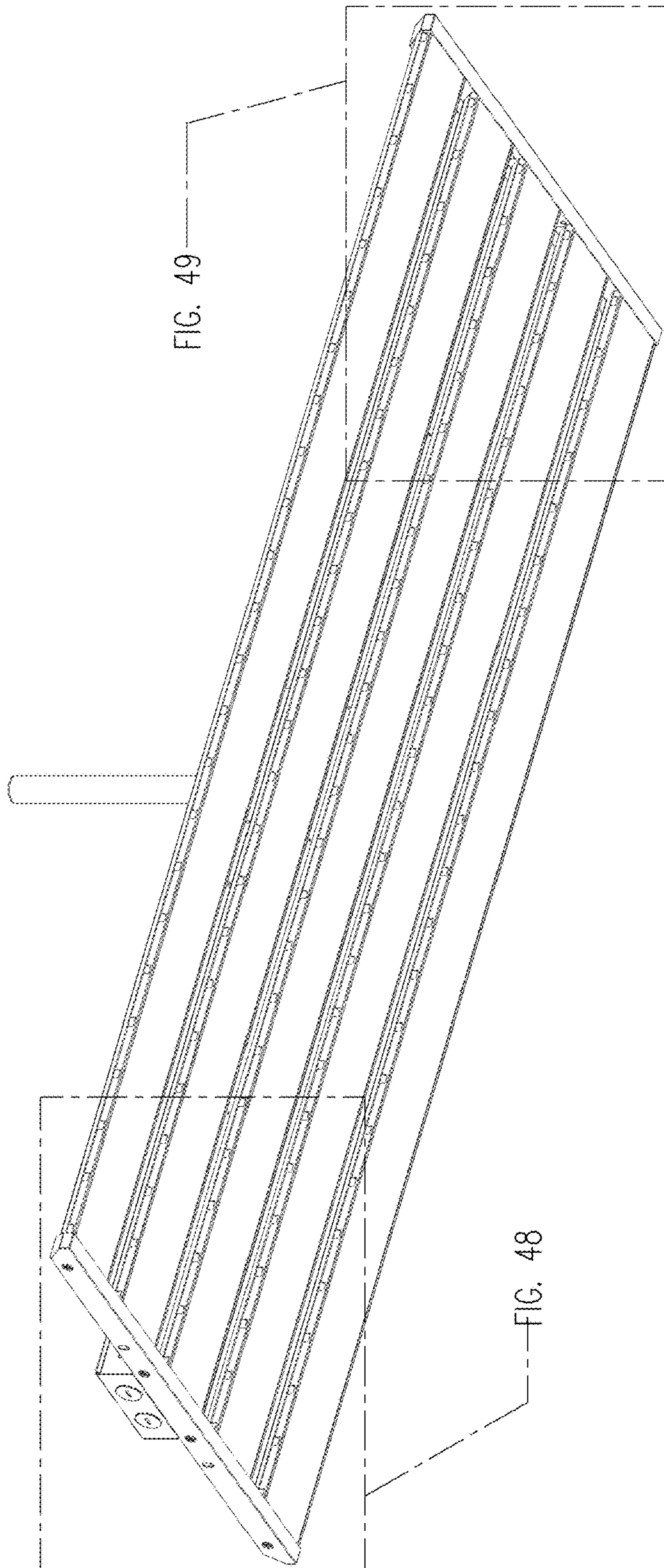


FIG. 40

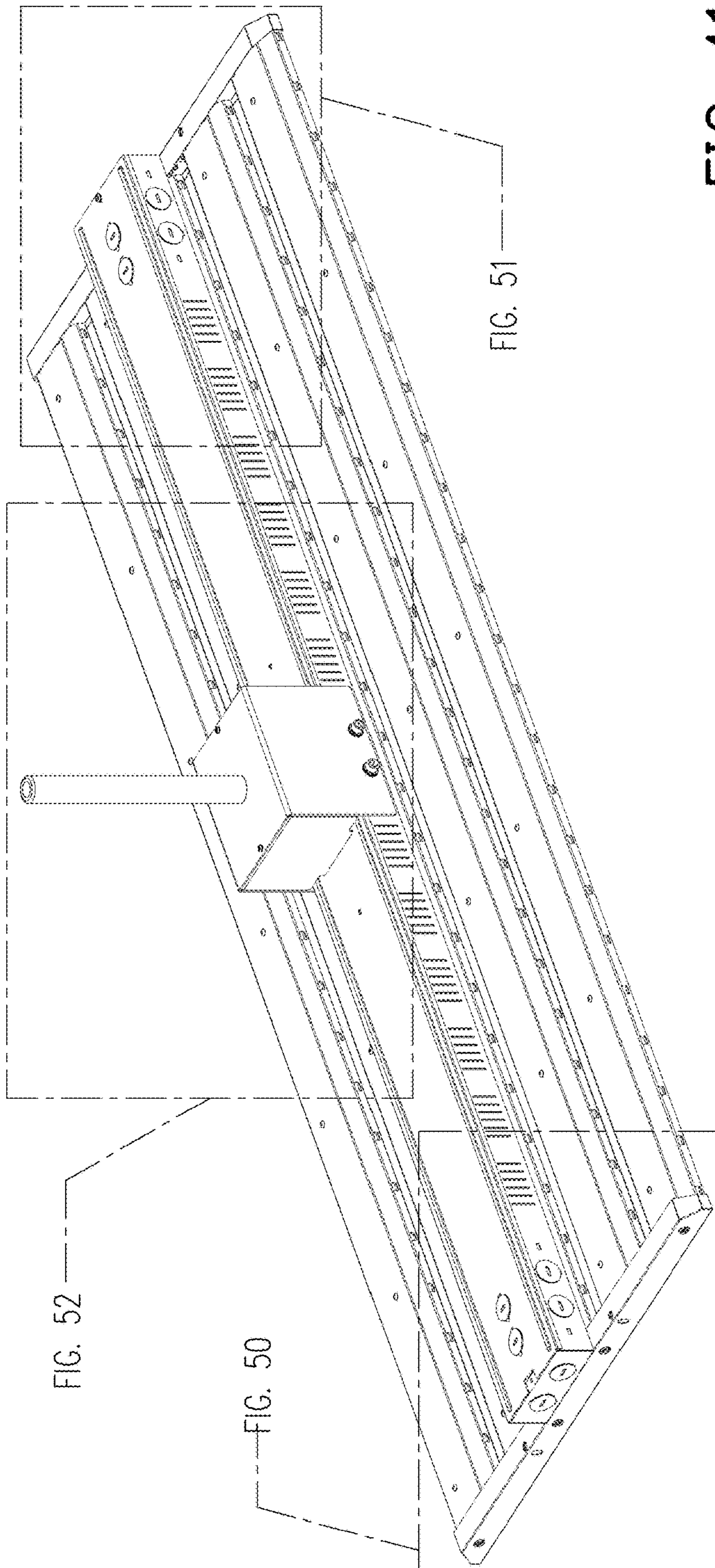


FIG. 41



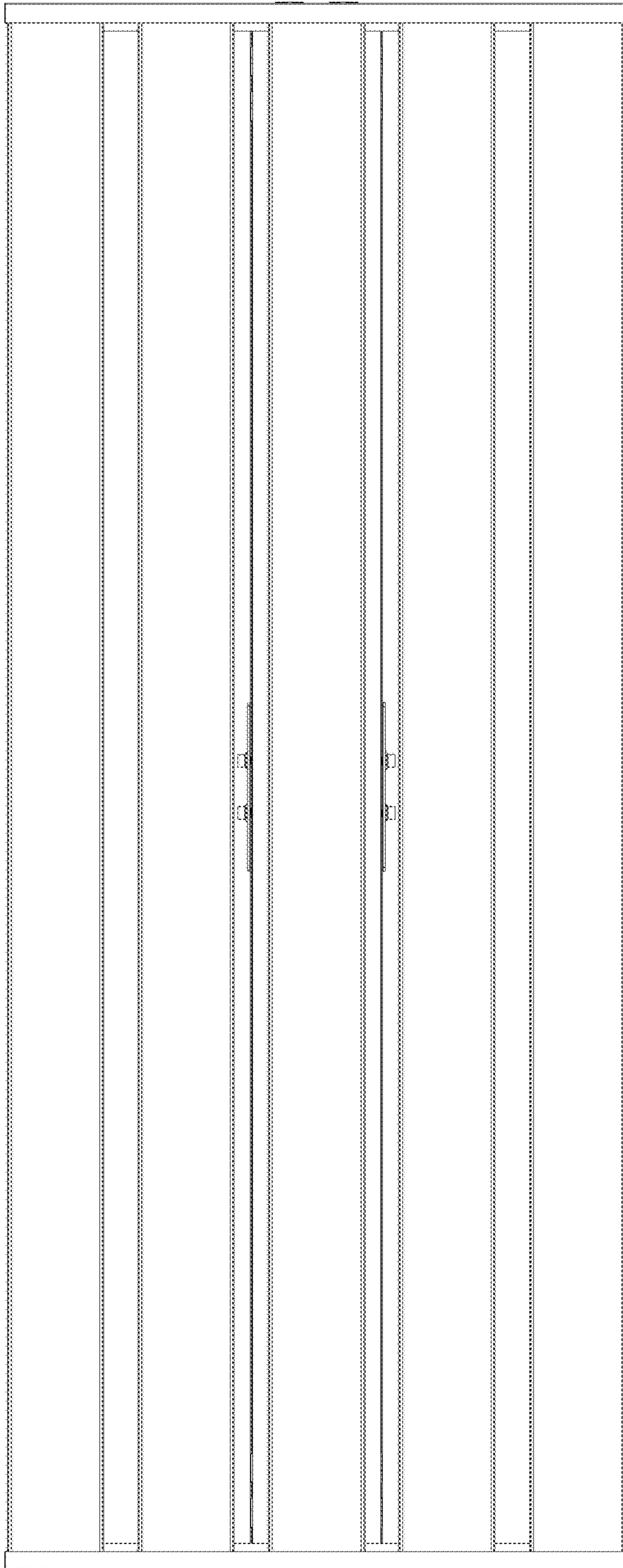


FIG. 42

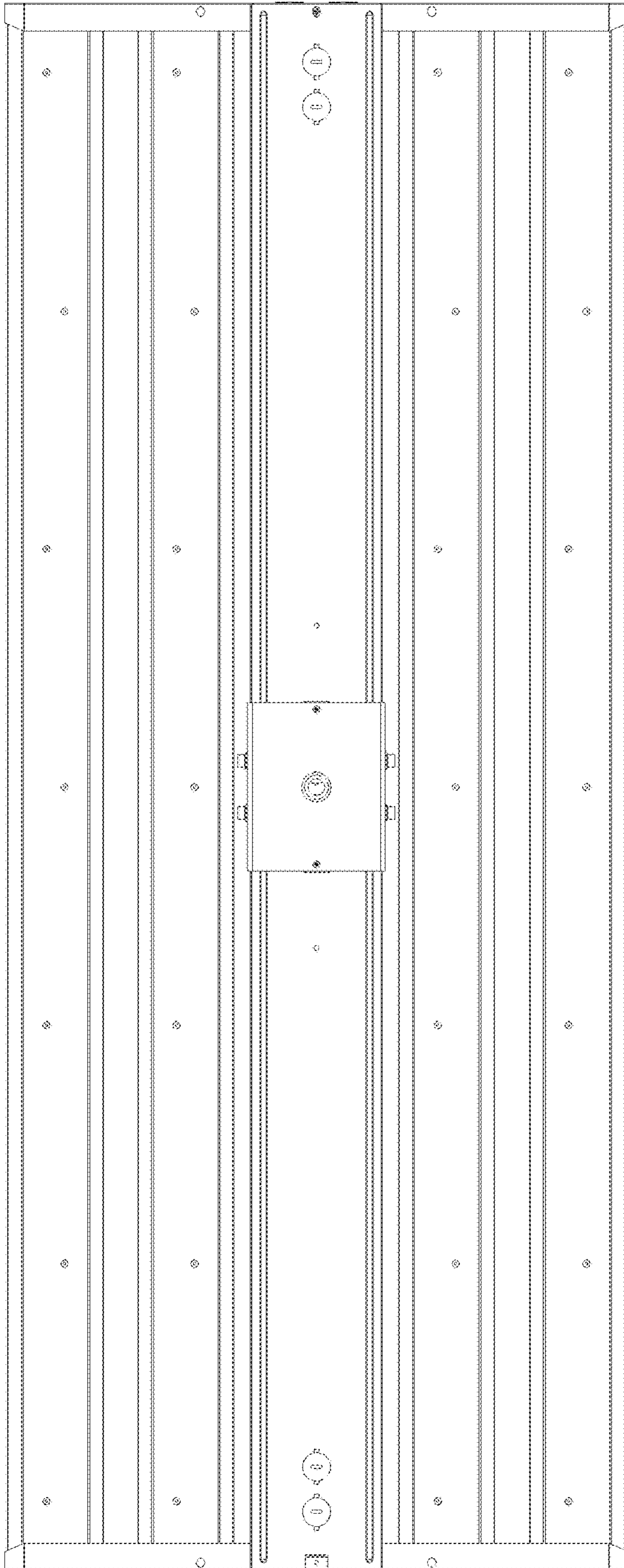


FIG. 43

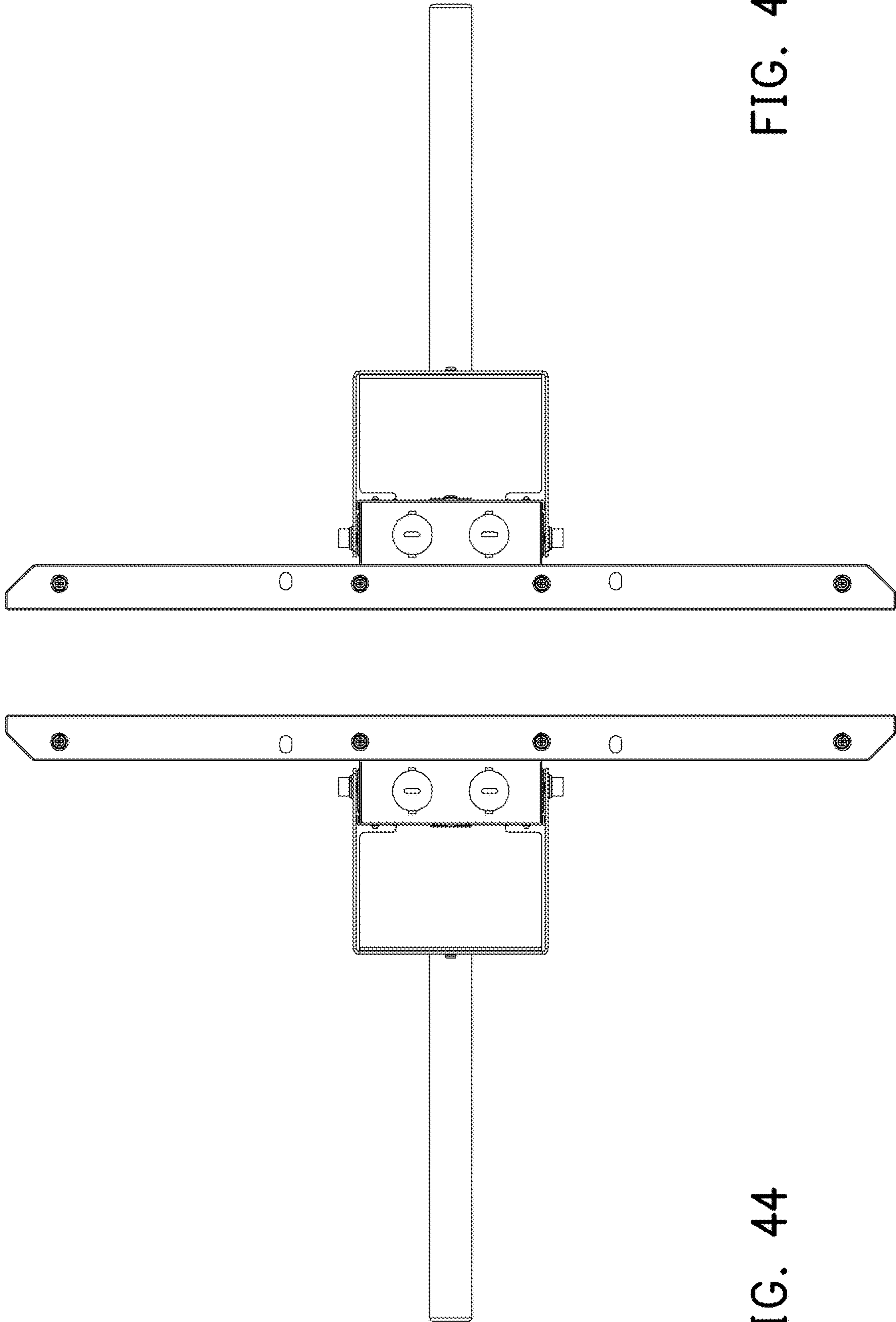


FIG. 45

FIG. 44

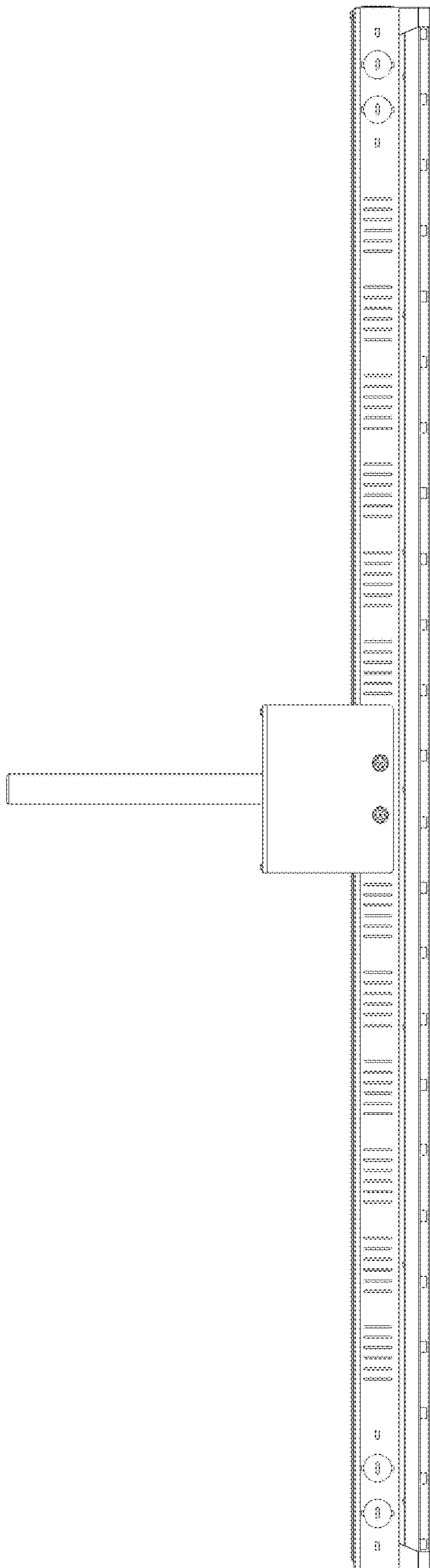


FIG. 46

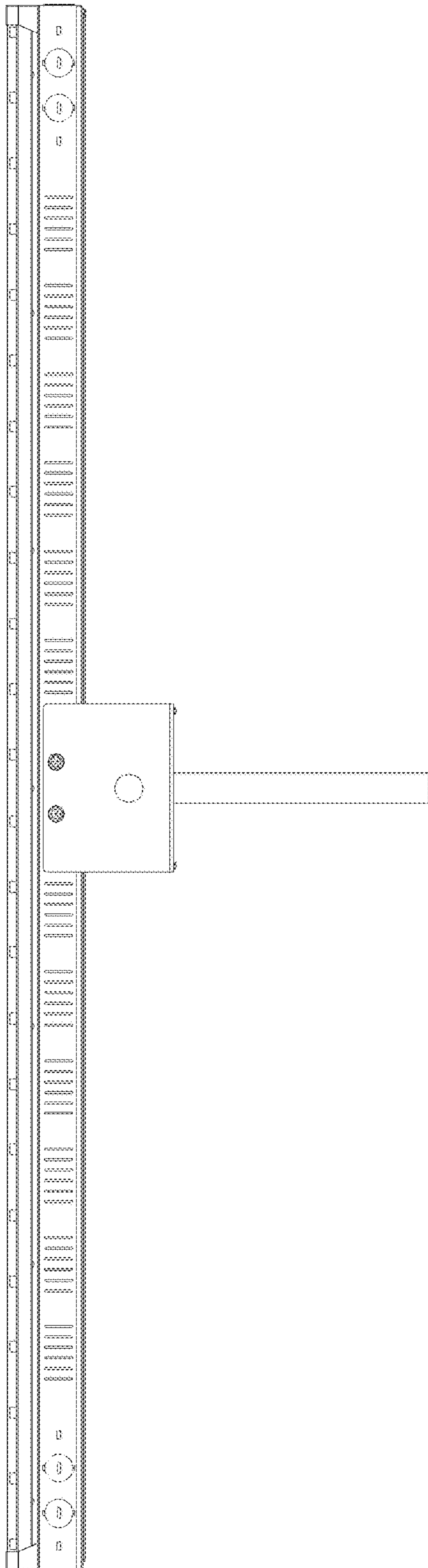


FIG. 47

FIG. 48

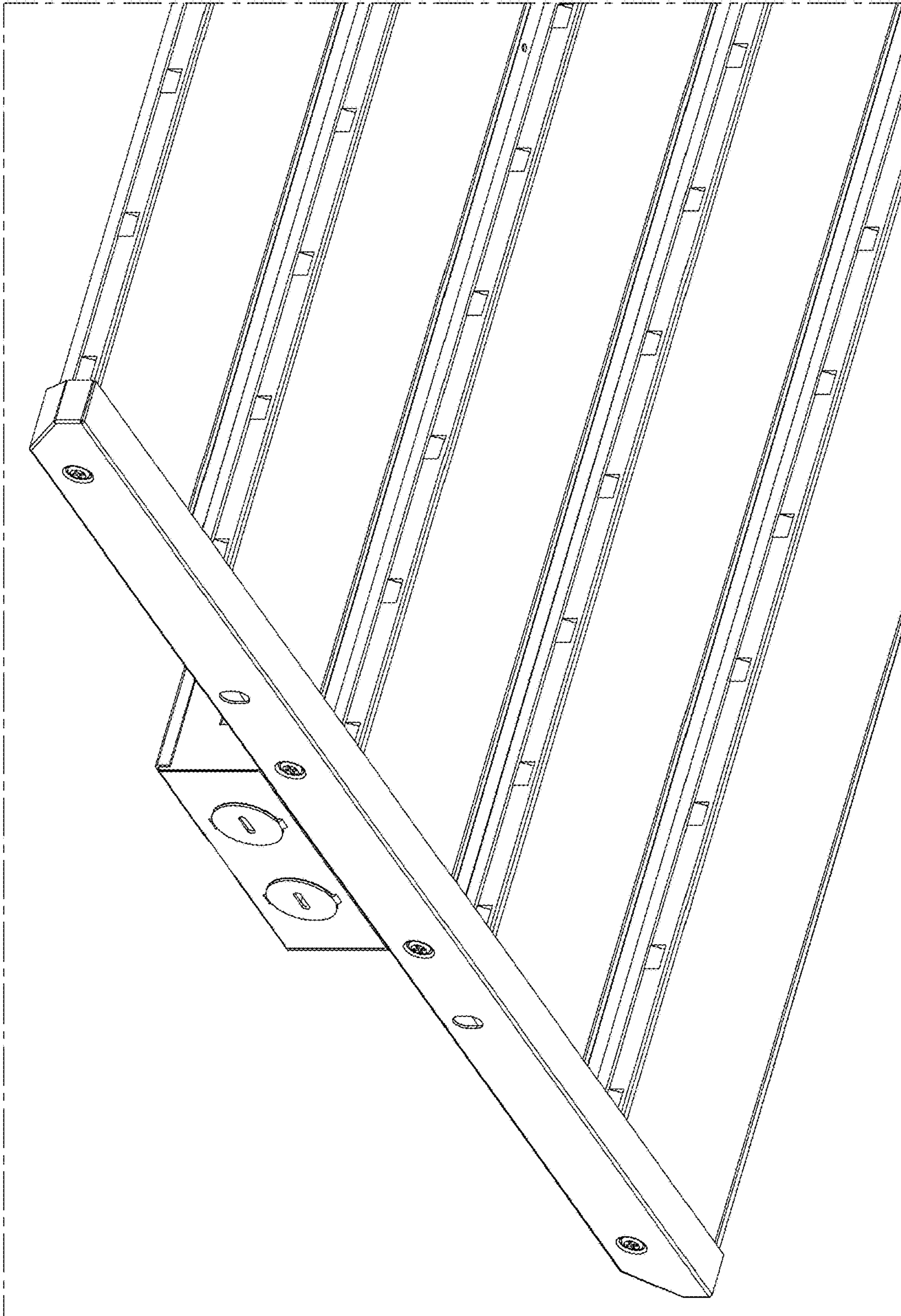
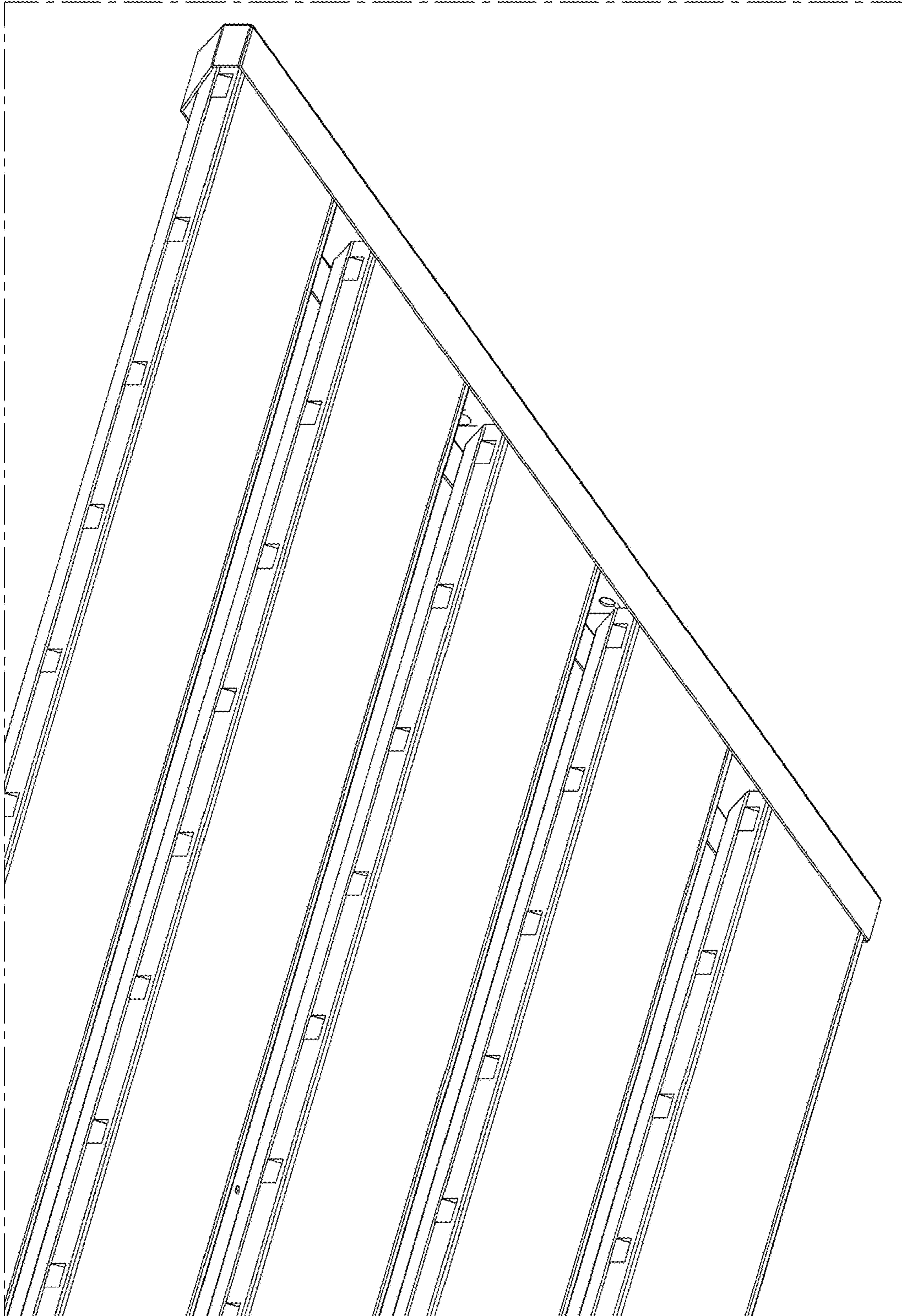


FIG. 49



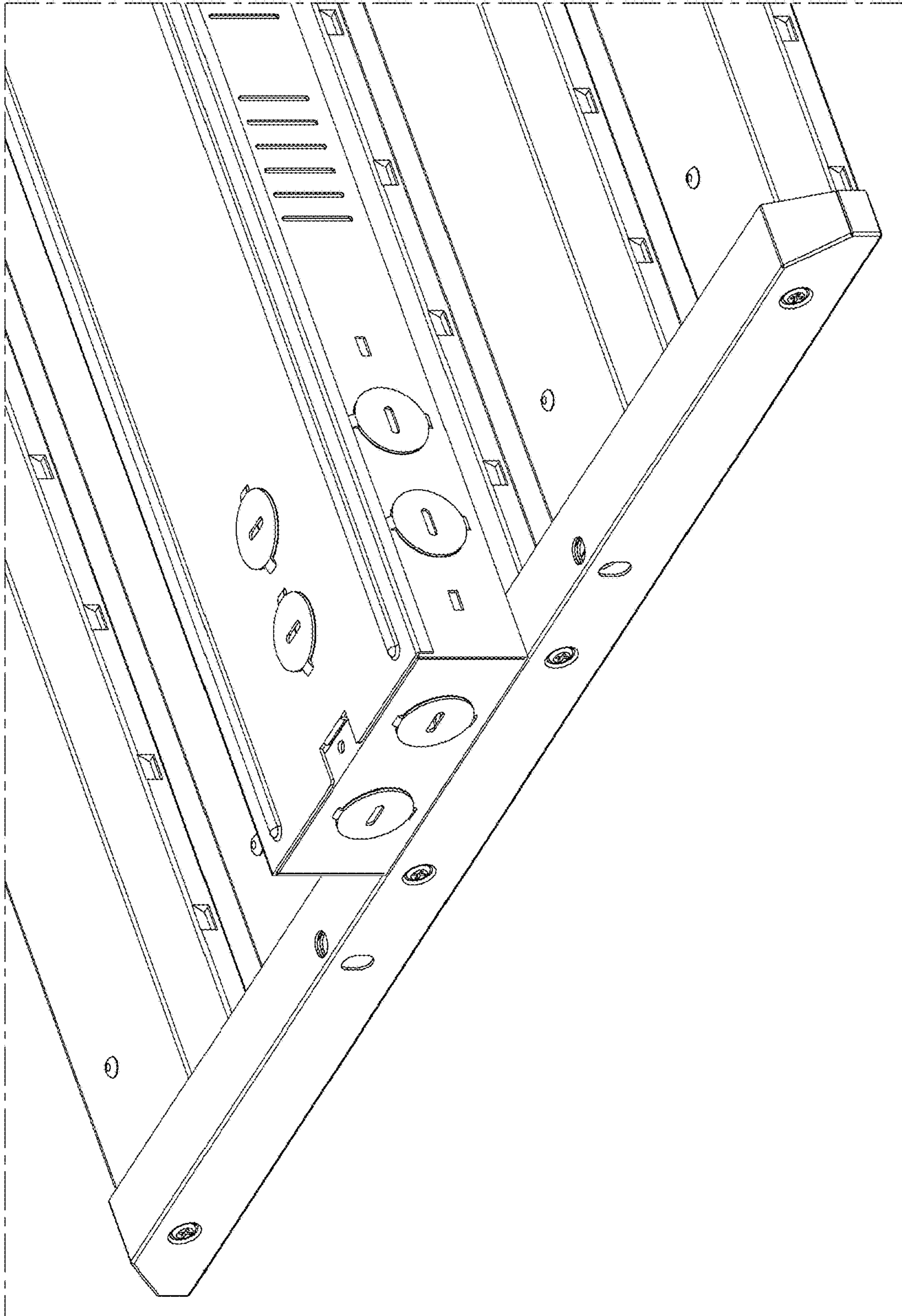


FIG. 50



FIG. 51

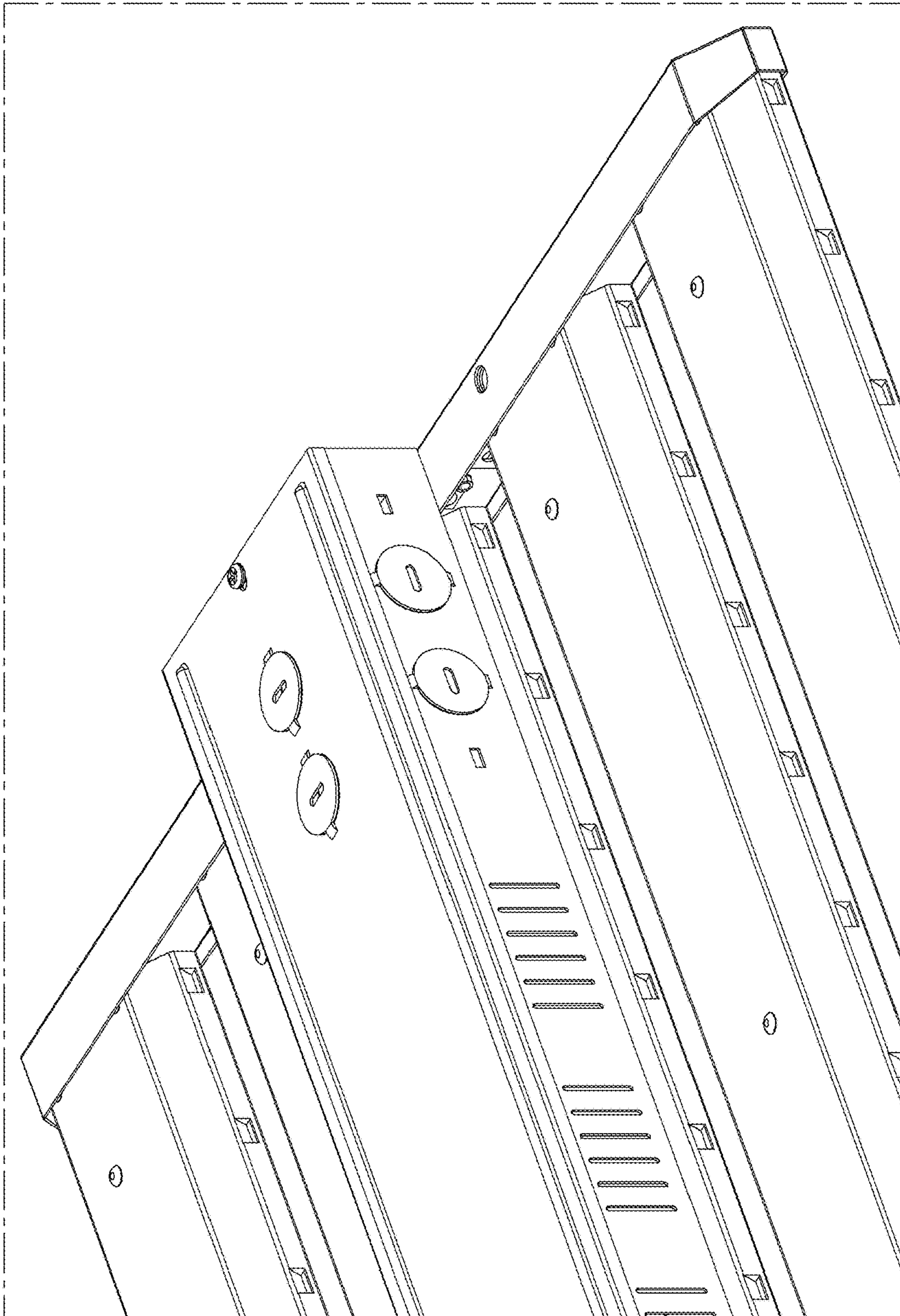
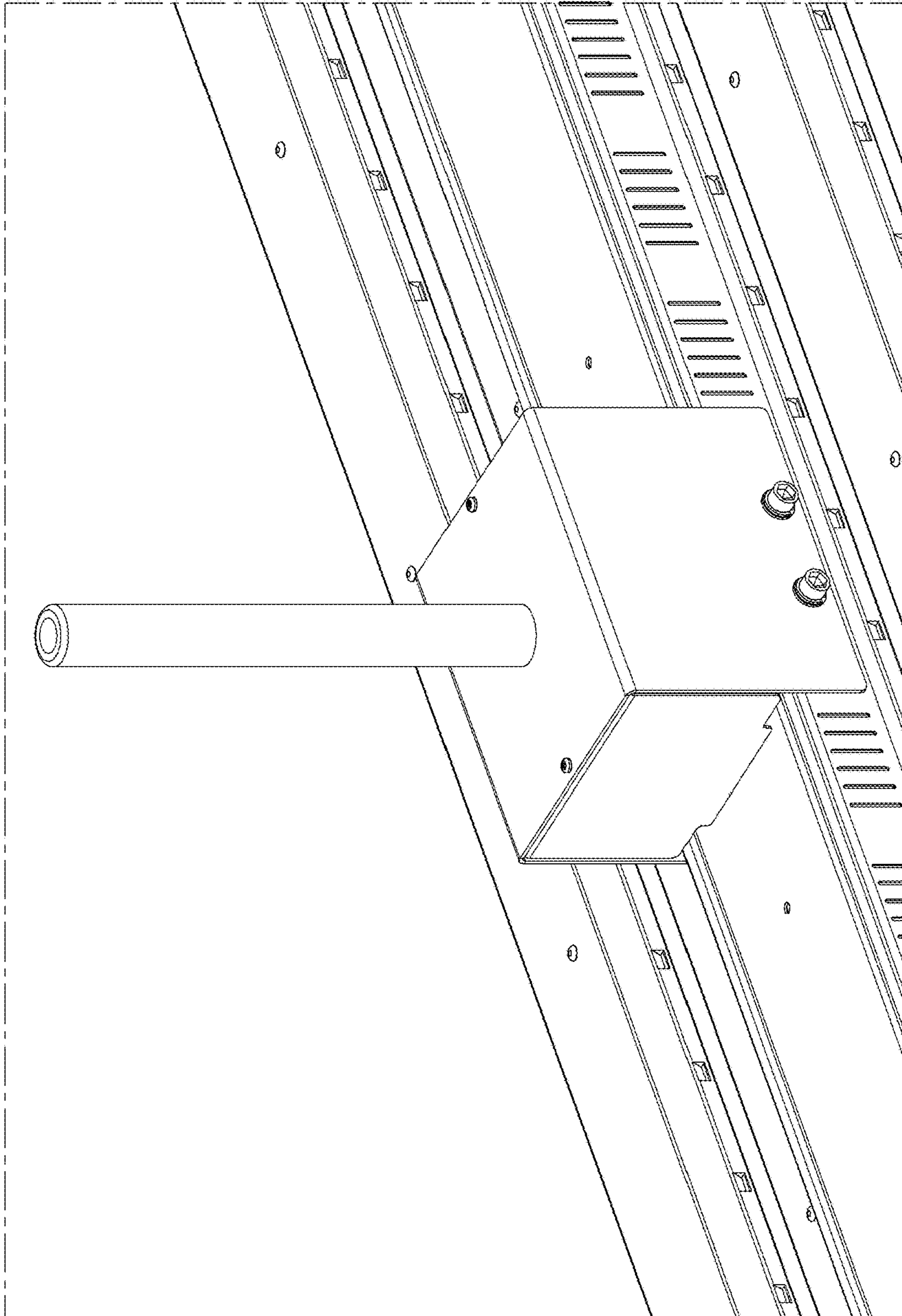


FIG. 52



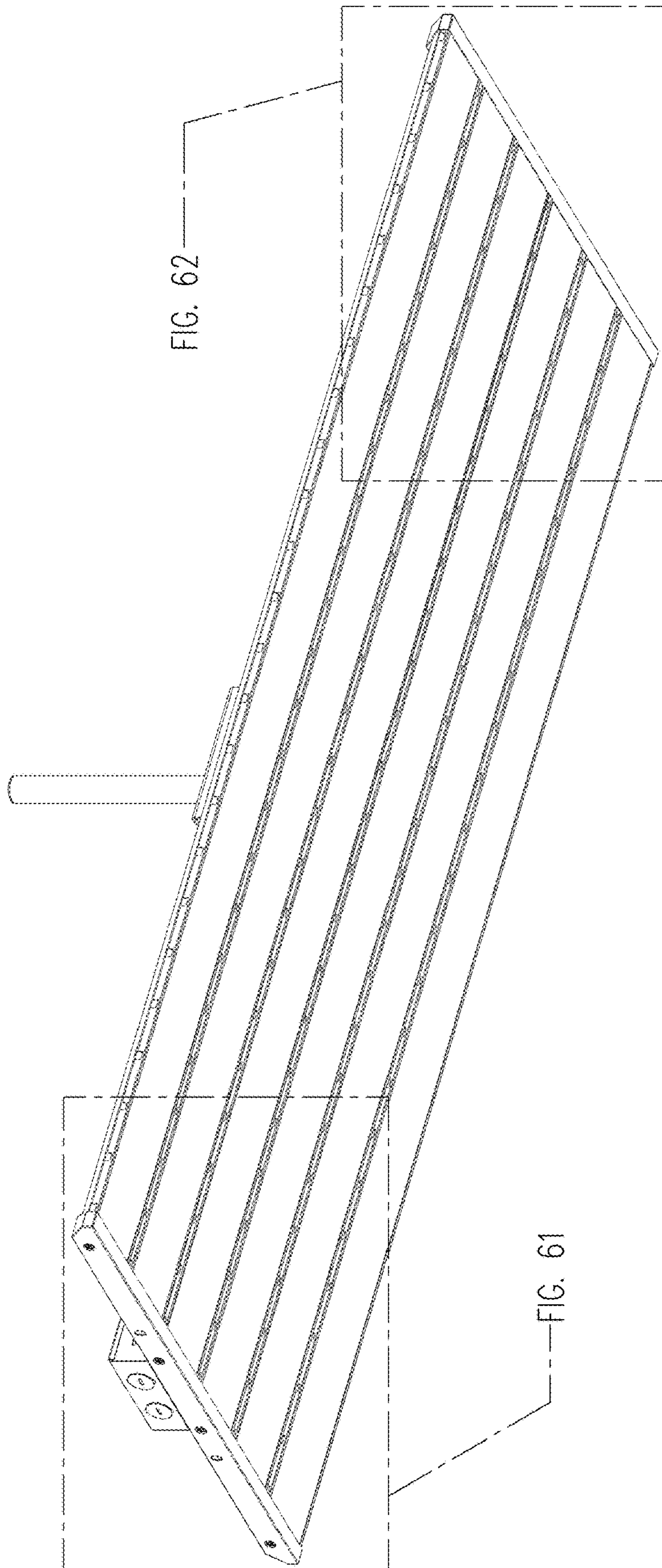


FIG. 53

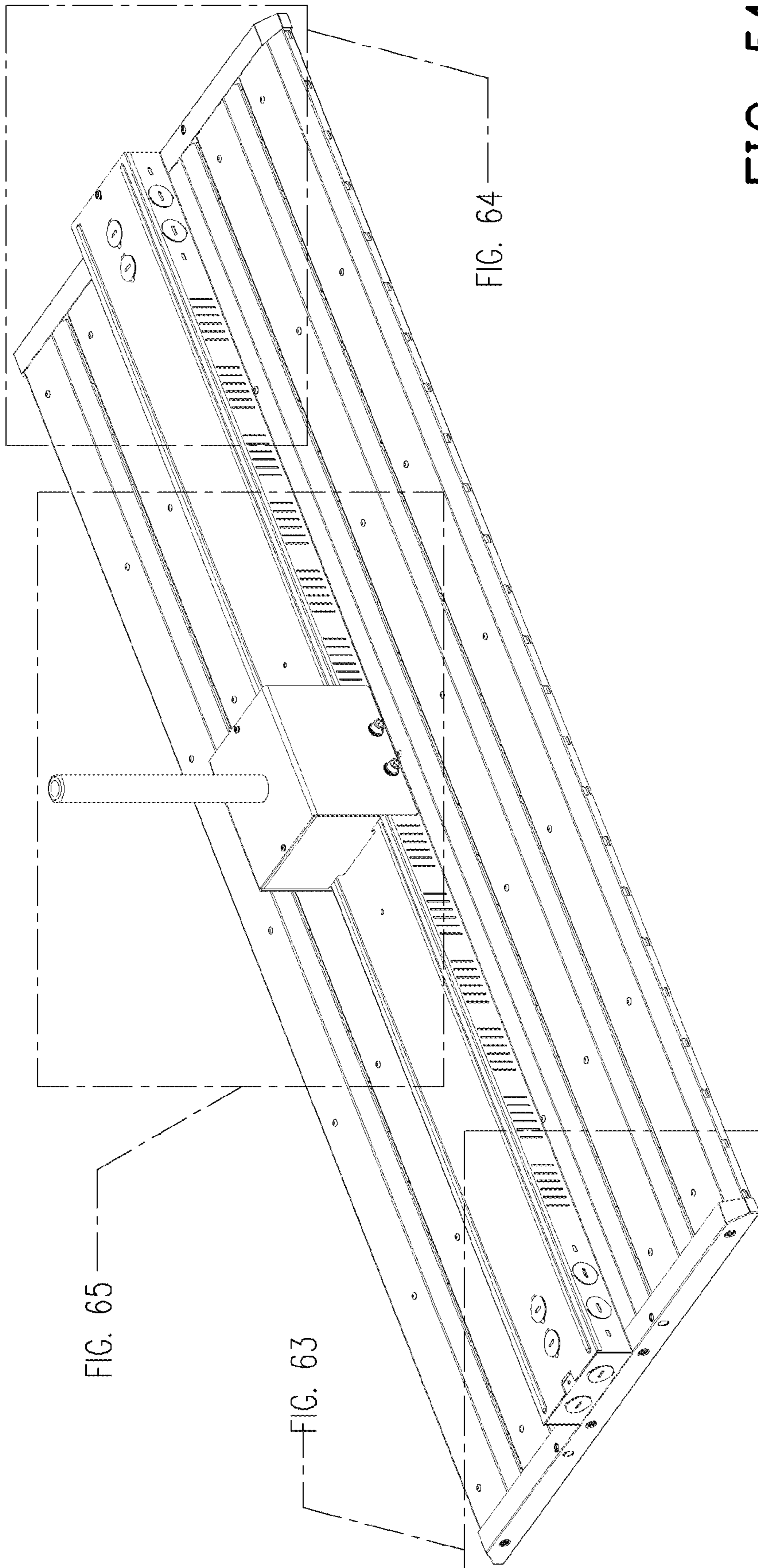


FIG. 54

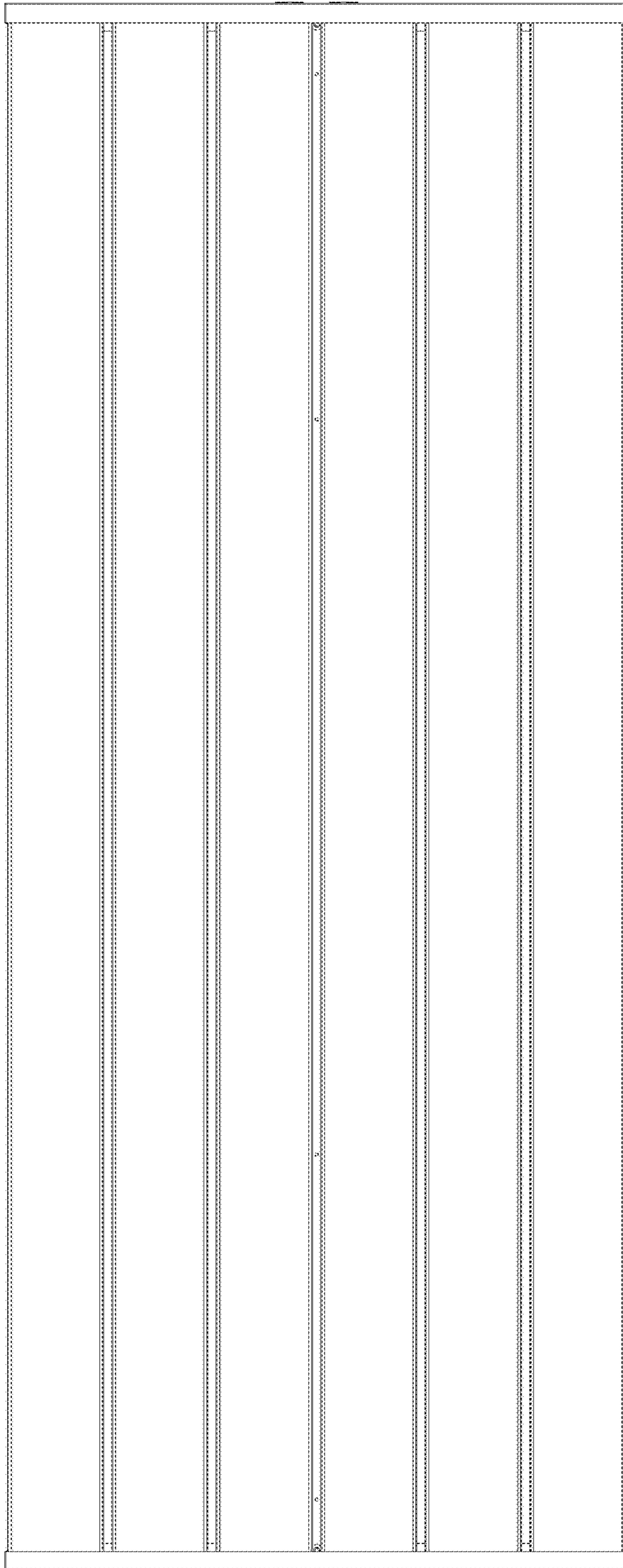


FIG. 55

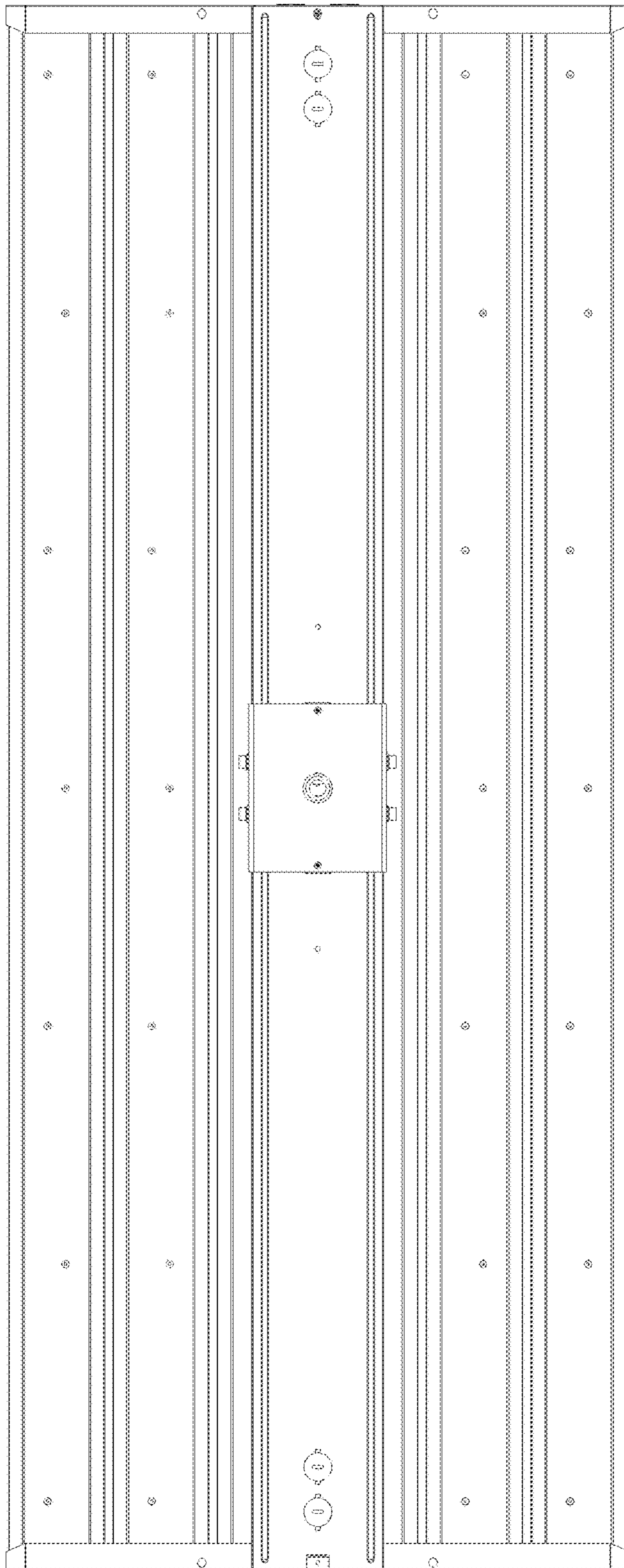


FIG. 56

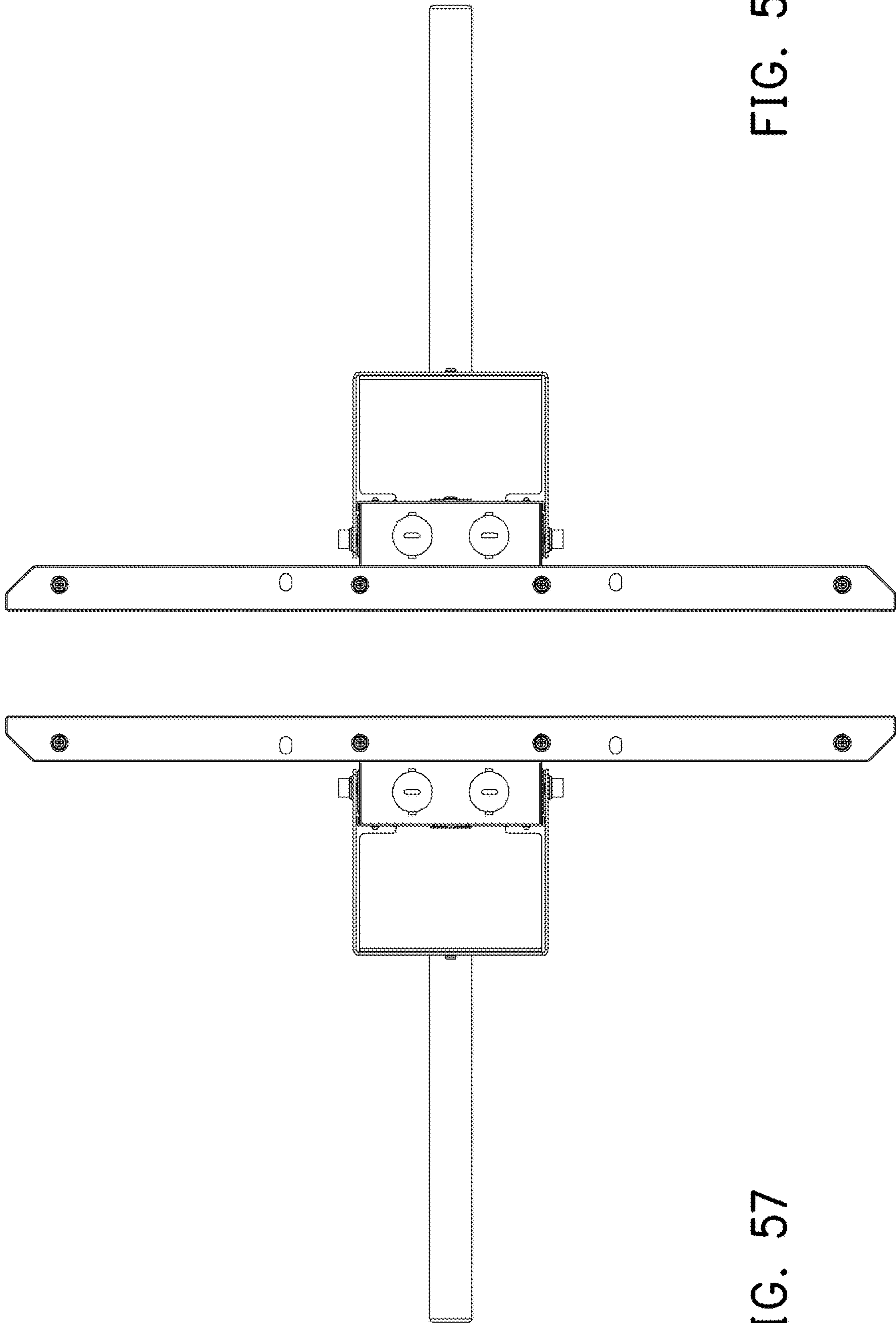


FIG. 58

FIG. 57

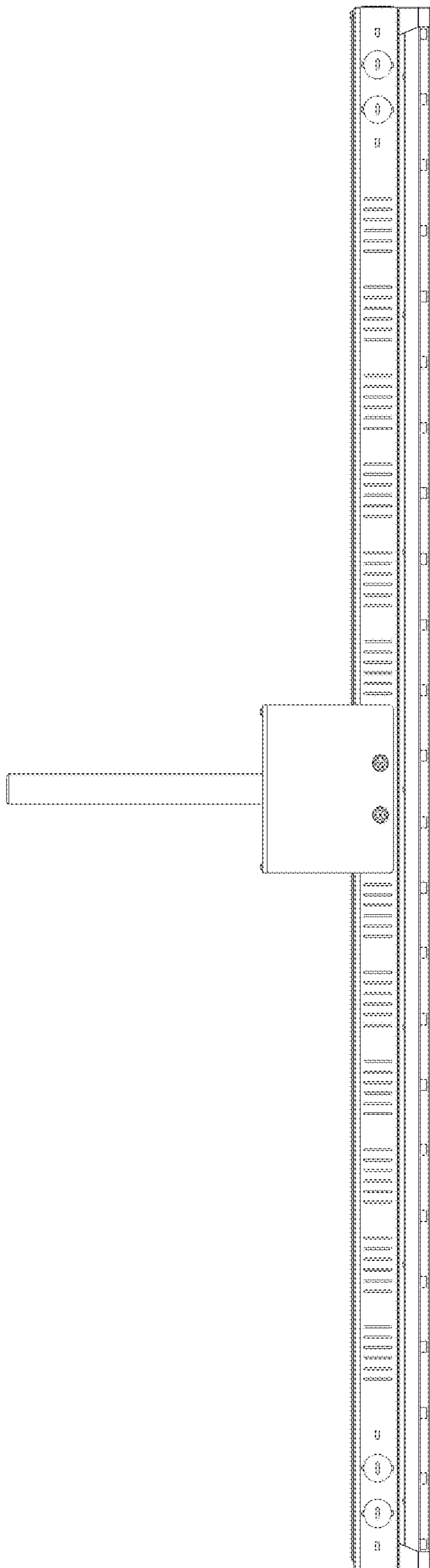


FIG. 59



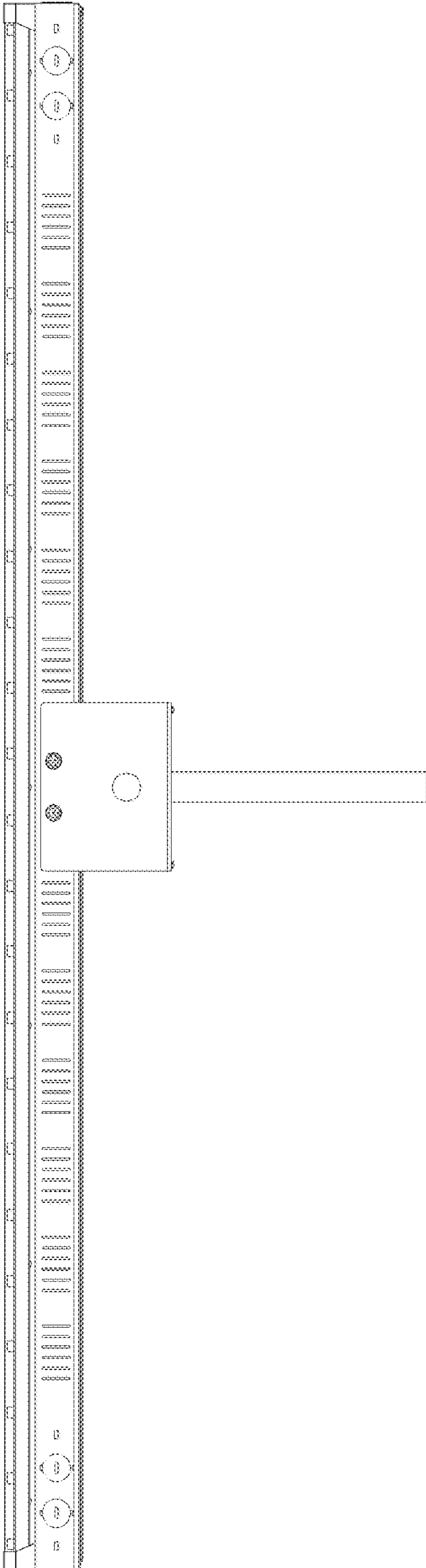


FIG. 60

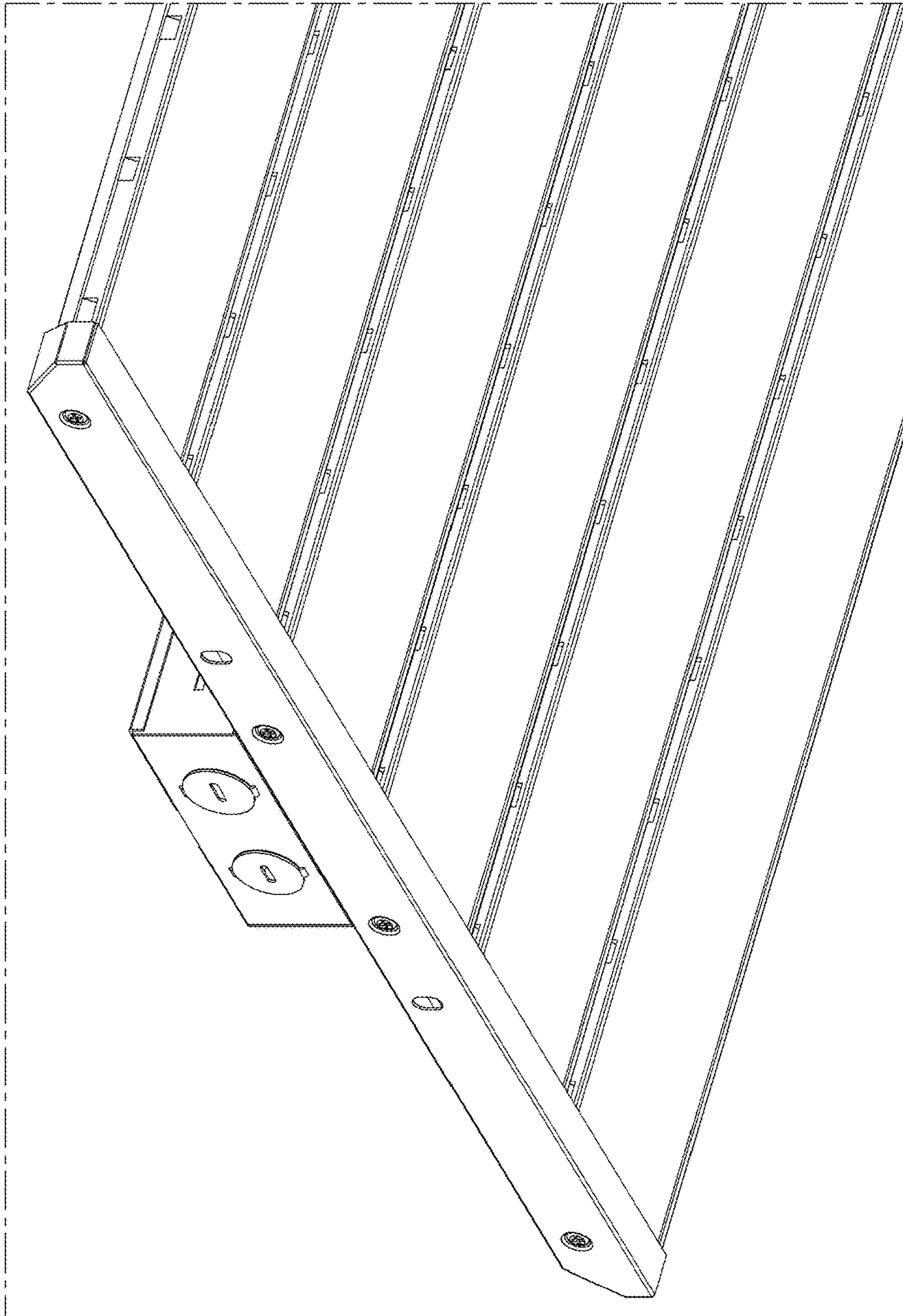


FIG. 61

FIG. 62

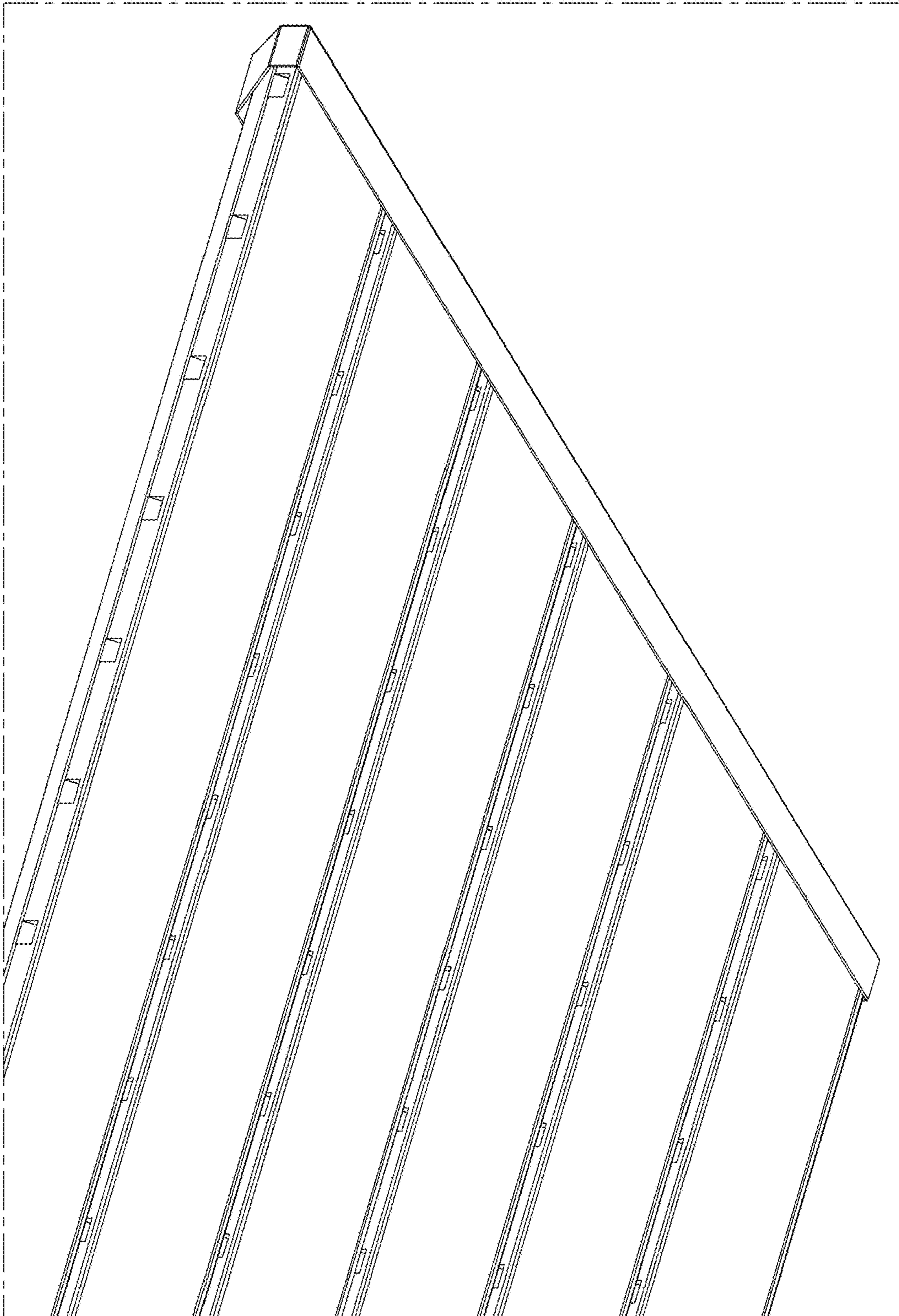


FIG. 63

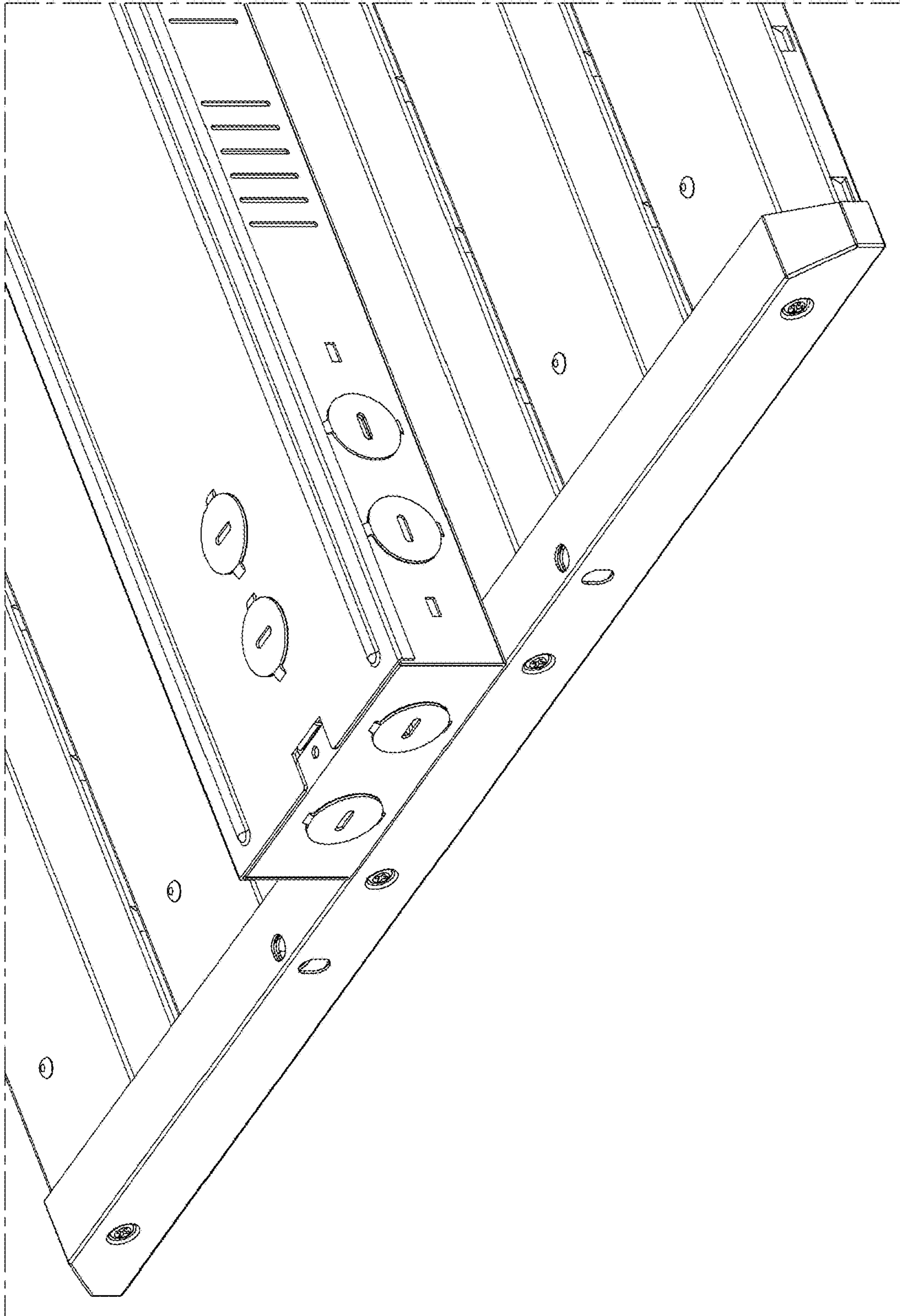


FIG. 64

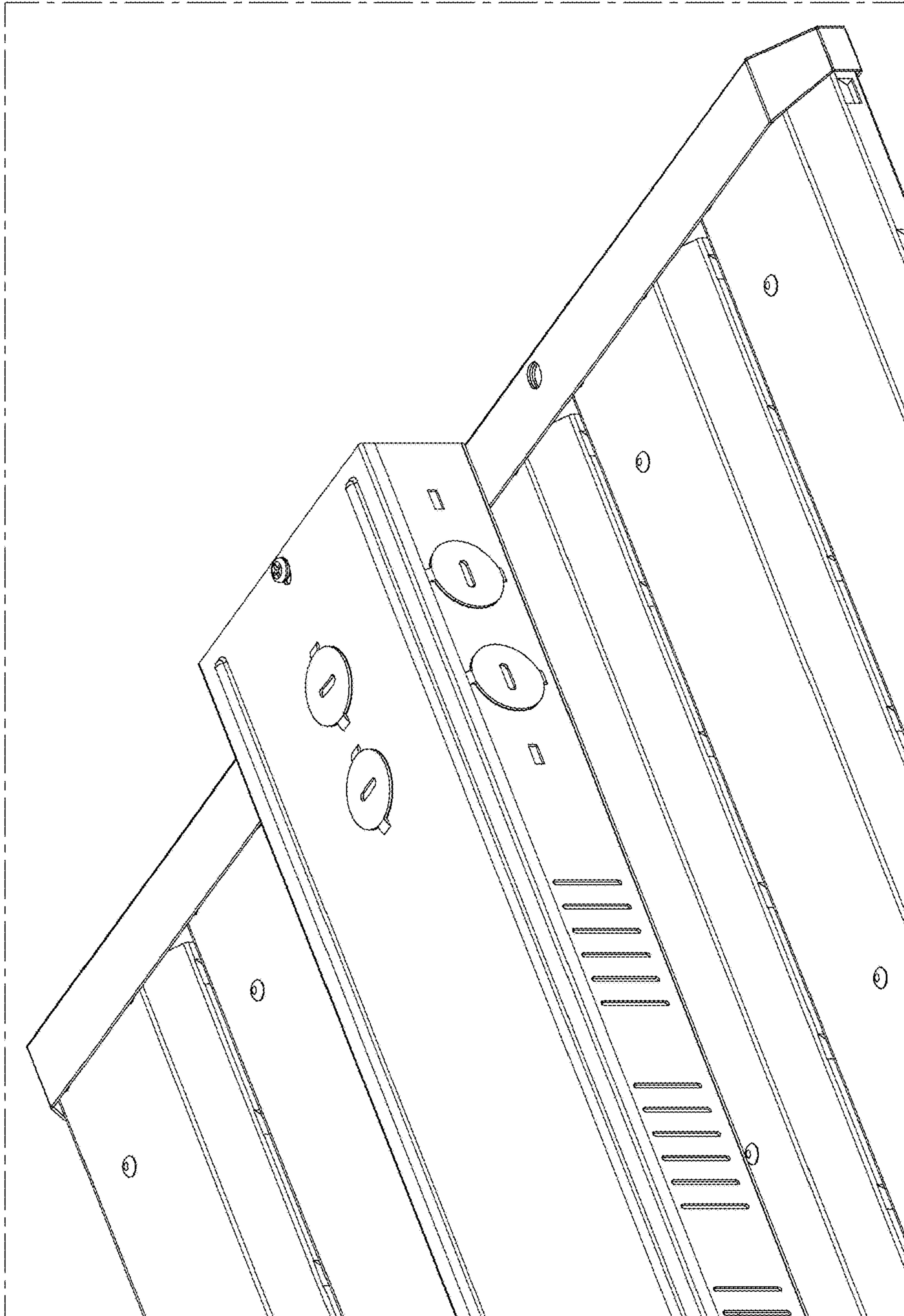


FIG. 65

