



US00D919157S

(12) **United States Design Patent**
Wu et al.

(10) **Patent No.:** **US D919,157 S**
(45) **Date of Patent:** **** May 11, 2021**

(54) **LAMP**

(71) Applicant: **Shenzhen Signcomplex Science & Technology Co., Limited**, Guangdong (CN)

(72) Inventors: **Tiejun Wu**, Guangdong (CN); **Qimeng He**, Guangdong (CN); **Changchun Yi**, Guangdong (CN)

(73) Assignee: **Shenzhen Signcomplex Science & Technology Co., Limited**, Guangdong (CN)

(**) Term: **15 Years**

(21) Appl. No.: **29/634,658**

(22) Filed: **Jan. 24, 2018**

(30) **Foreign Application Priority Data**

Aug. 18, 2017 (CN) 201730381984.7

(51) **LOC (13) Cl.** **26-04**

(52) **U.S. Cl.**
USPC **D26/76**

(58) **Field of Classification Search**
USPC D26/72, 74, 76, 78-83, 85, 86, 88, 90,
D26/93, 111, 113, 118-122, 138, 139,
D26/140, 141, 142, 152

(Continued)

(56) **References Cited**

U.S. PATENT DOCUMENTS

D447,266 S * 8/2001 Verfuerrth D26/76
D494,700 S * 8/2004 Hartman D26/76

(Continued)

Primary Examiner — Natasha Vujcic

(74) *Attorney, Agent, or Firm* — JCIPRNET

(57) **CLAIM**

The ornamental design for a lamp, as shown and described.

DESCRIPTION

FIG. 1 is a front perspective view of a lamp showing a first embodiment of our new design;
FIG. 2 is a front view of the first embodiment;
FIG. 3 is a rear view of the first embodiment;
FIG. 4 is an enlarged left side view of the first embodiment;
FIG. 5 is an enlarged right side view of the first embodiment;
FIG. 6 is a top view of the first embodiment;
FIG. 7 is a bottom view of the first embodiment;
FIG. 8 is a rear perspective view of the first embodiment being suspended by the chains;
FIG. 9 is an enlarged view of an indicated portion of FIG. 1;
FIG. 10 is an enlarged view of an indicated portion of FIG. 1;
FIG. 11 is an enlarged view of an indicated portion of FIG. 8;
FIG. 12 is an enlarged view of an indicated portion of FIG. 8;
FIG. 13 is an enlarged view of an indicated portion of FIG. 8;
FIG. 14 is a front perspective view of a lamp showing a second embodiment of our new design;
FIG. 15 is a front view of the second embodiment;
FIG. 16 is a rear view of the second embodiment;
FIG. 17 is an enlarged left side view of the second embodiment;
FIG. 18 is an enlarged right side view of the second embodiment;
FIG. 19 is a top view of the second embodiment;
FIG. 20 is a bottom view of the second embodiment;
FIG. 21 is a rear perspective view of the second embodiment being suspended by the chains;
FIG. 22 is an enlarged view of an indicated portion of FIG. 14;
FIG. 23 is an enlarged view of an indicated portion of FIG. 14;
FIG. 24 is an enlarged view of an indicated portion of FIG. 21;

(Continued)

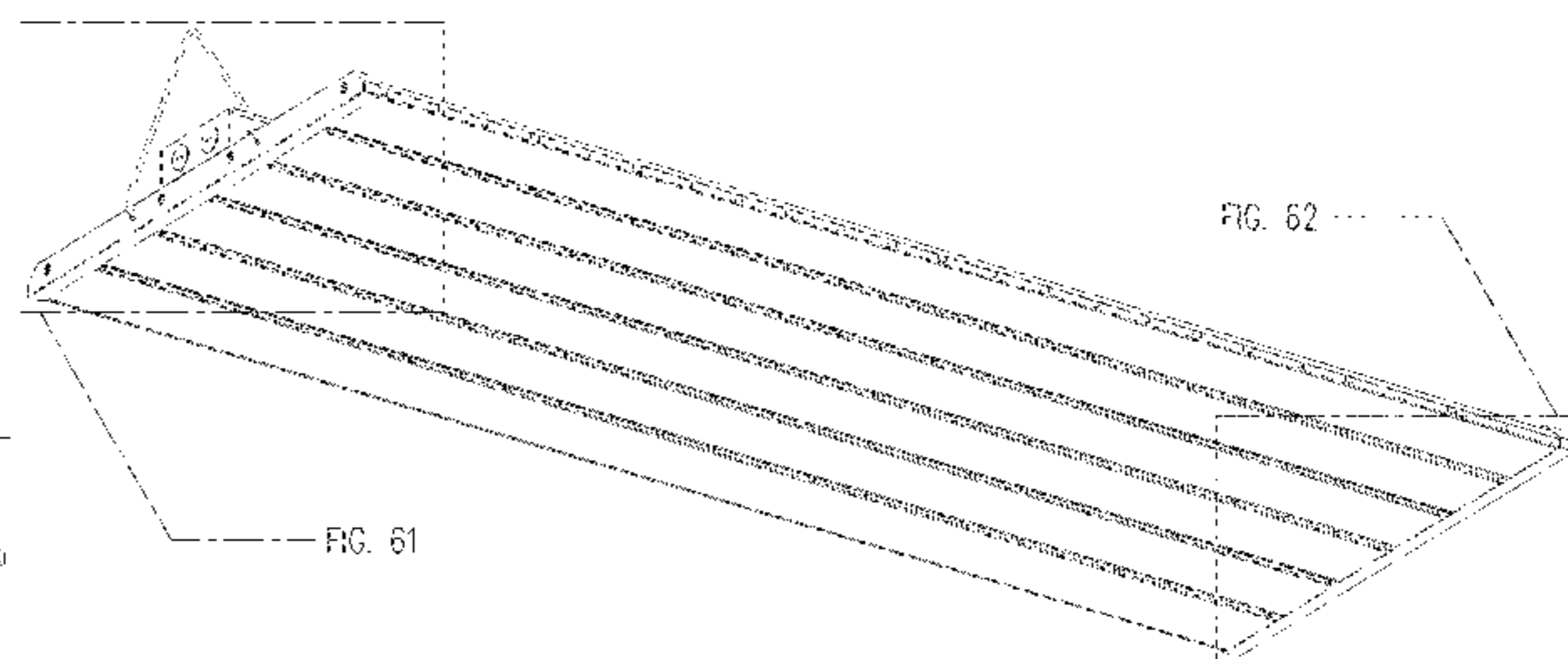
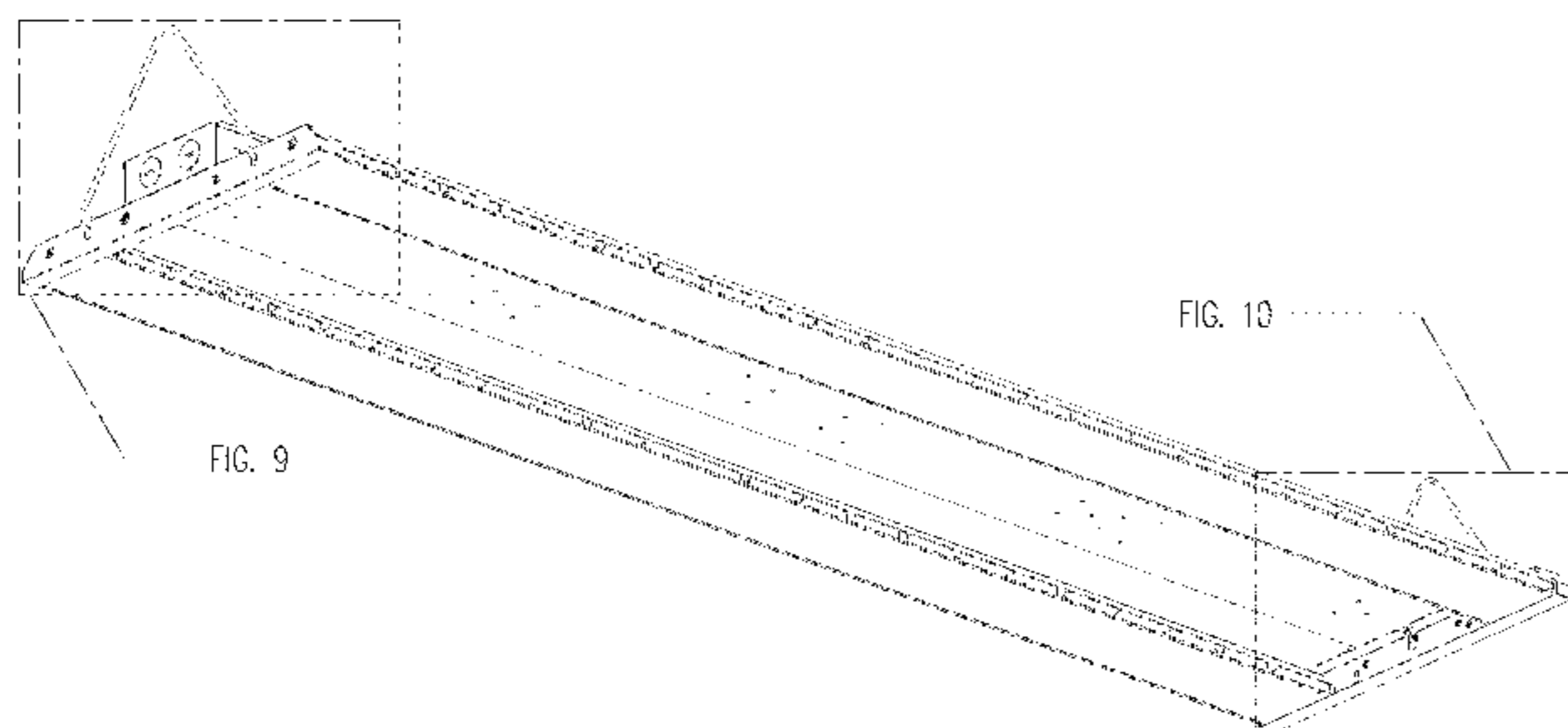


FIG. 25 is an enlarged view of an indicated portion of FIG. 21;
 FIG. 26 is an enlarged view of an indicated portion of FIG. 21;
 FIG. 27 is a front perspective view of a lamp showing a third embodiment of our new design;
 FIG. 28 is a front view of the third embodiment;
 FIG. 29 is a rear view of the third embodiment;
 FIG. 30 is an enlarged left side view of the third embodiment;
 FIG. 31 is an enlarged right side view of the third embodiment;
 FIG. 32 is a top view of the third embodiment;
 FIG. 33 is a bottom view of the third embodiment;
 FIG. 34 is a rear perspective view of the third embodiment being suspended by the chains;
 FIG. 35 is an enlarged view of an indicated portion of FIG. 27;
 FIG. 36 is an enlarged view of an indicated portion of FIG. 27;
 FIG. 37 is an enlarged view of an indicated portion of FIG. 34;
 FIG. 38 is an enlarged view of an indicated portion of FIG. 34;
 FIG. 39 is an enlarged view of an indicated portion of FIG. 34;
 FIG. 40 is a front perspective view of a lamp showing a fourth embodiment of our new design;
 FIG. 41 is a front view of the fourth embodiment;
 FIG. 42 is a rear view of the fourth embodiment;
 FIG. 43 is an enlarged left side view of the fourth embodiment;
 FIG. 44 is an enlarged right side view of the fourth embodiment;
 FIG. 45 is a top view of the fourth embodiment;
 FIG. 46 is a bottom view of the fourth embodiment;
 FIG. 47 is a rear perspective view of the fourth embodiment being suspended by the chains;
 FIG. 48 is an enlarged view of an indicated portion of FIG. 40;
 FIG. 49 is an enlarged view of an indicated portion of FIG. 40;
 FIG. 50 is an enlarged view of an indicated portion of FIG. 47;
 FIG. 51 is an enlarged view of an indicated portion of FIG. 47;
 FIG. 52 is an enlarged view of an indicated portion of FIG. 47;
 FIG. 53 is a front perspective view of a lamp showing a fifth embodiment of our new design;
 FIG. 54 is a front view of the fifth embodiment;
 FIG. 55 is a rear view of the fifth embodiment;

FIG. 56 is an enlarged left side view of the fifth embodiment;
 FIG. 57 is an enlarged right side view of the fifth embodiment;
 FIG. 58 is a top view of the fifth embodiment;
 FIG. 59 is a bottom view of the fifth embodiment;
 FIG. 60 is a rear perspective view of the fifth embodiment being suspended by the chains;
 FIG. 61 is an enlarged view of an indicated portion of FIG. 53;
 FIG. 62 is an enlarged view of an indicated portion of FIG. 53;
 FIG. 63 is an enlarged view of an indicated portion of FIG. 60;
 FIG. 64 is an enlarged view of an indicated portion of FIG. 60; and,
 FIG. 65 is an enlarged view of an indicated portion of FIG. 60.
 The dashed broken lines in FIGS. 8, 11, 12, 21, 24, 25, 34, 37, 38, 47, 50, 51, 60, 63 and 64 illustrate the chains and form no part of the claimed design.

1 Claim, 55 Drawing Sheets

(58) **Field of Classification Search**

CPC F21S 2/00; F21S 4/00; F21S 4/003; F21S 4/005; F21S 4/006; F21S 4/007; F21S 4/008; F21S 6/00; F21S 8/00; F21S 8/024; F21S 8/026; F21S 8/031; F21S 8/033; F21S 8/035-037; F21S 8/04; F21S 8/043; F21S 8/063

See application file for complete search history.

(56) **References Cited**

U.S. PATENT DOCUMENTS

D499,504	S	*	12/2004	Meyer	D26/76
D596,778	S	*	7/2009	Yamazato	D26/76
D703,858	S	*	4/2014	Miller	D26/76
D723,206	S	*	2/2015	Lewis, Jr.	D26/72
D735,931	S	*	8/2015	Lehman	D26/121
D744,690	S	*	12/2015	Boyer	D26/76
D757,325	S	*	5/2016	Stanley	D26/76
D757,327	S	*	5/2016	Reynolds	D26/77
D797,344	S	*	9/2017	Yorio	D26/78
D804,077	S	*	11/2017	Ma	D26/76
D818,626	S	*	5/2018	Park	D26/76
D819,861	S	*	6/2018	Scribante	D26/76
D819,862	S	*	6/2018	Deng	D26/76
D819,864	S	*	6/2018	Deng	D26/76
D824,570	S	*	7/2018	Bobel	D26/76
D870,346	S	*	12/2019	Deng	D26/76
D877,964	S	*	3/2020	Antony	D26/118
D881,440	S	*	4/2020	Zhu	D26/76

* cited by examiner

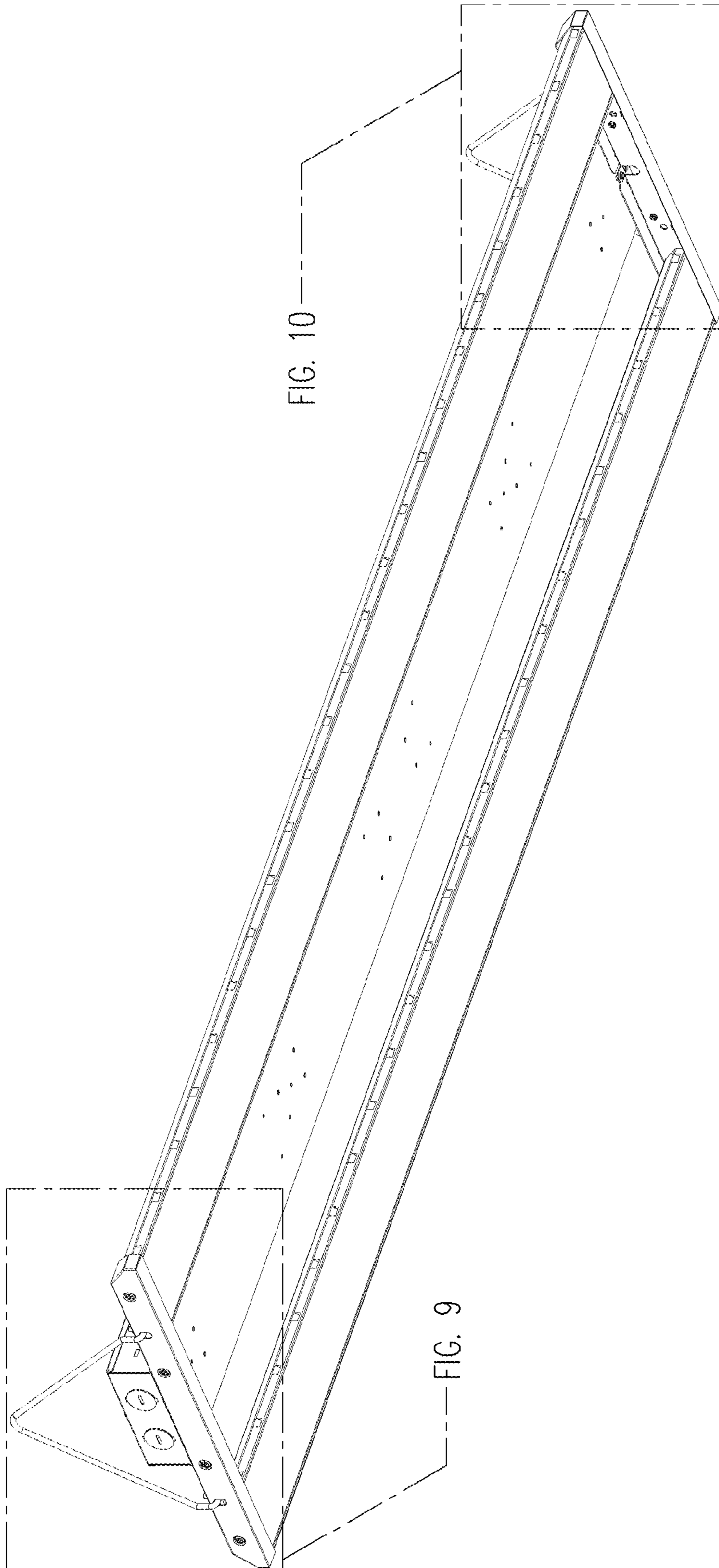


FIG. 1

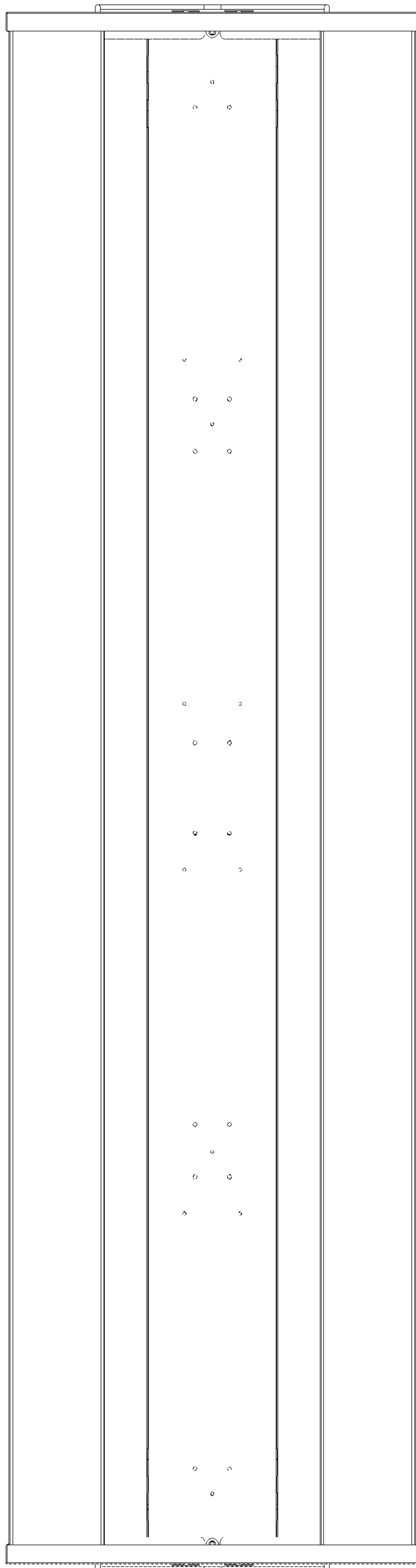


FIG. 2

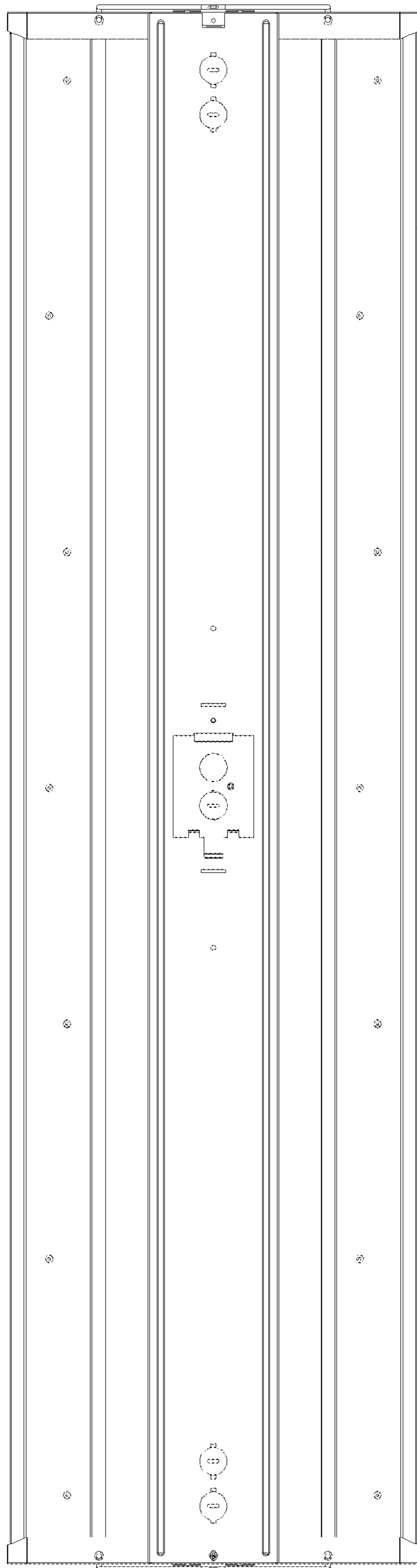


FIG. 3

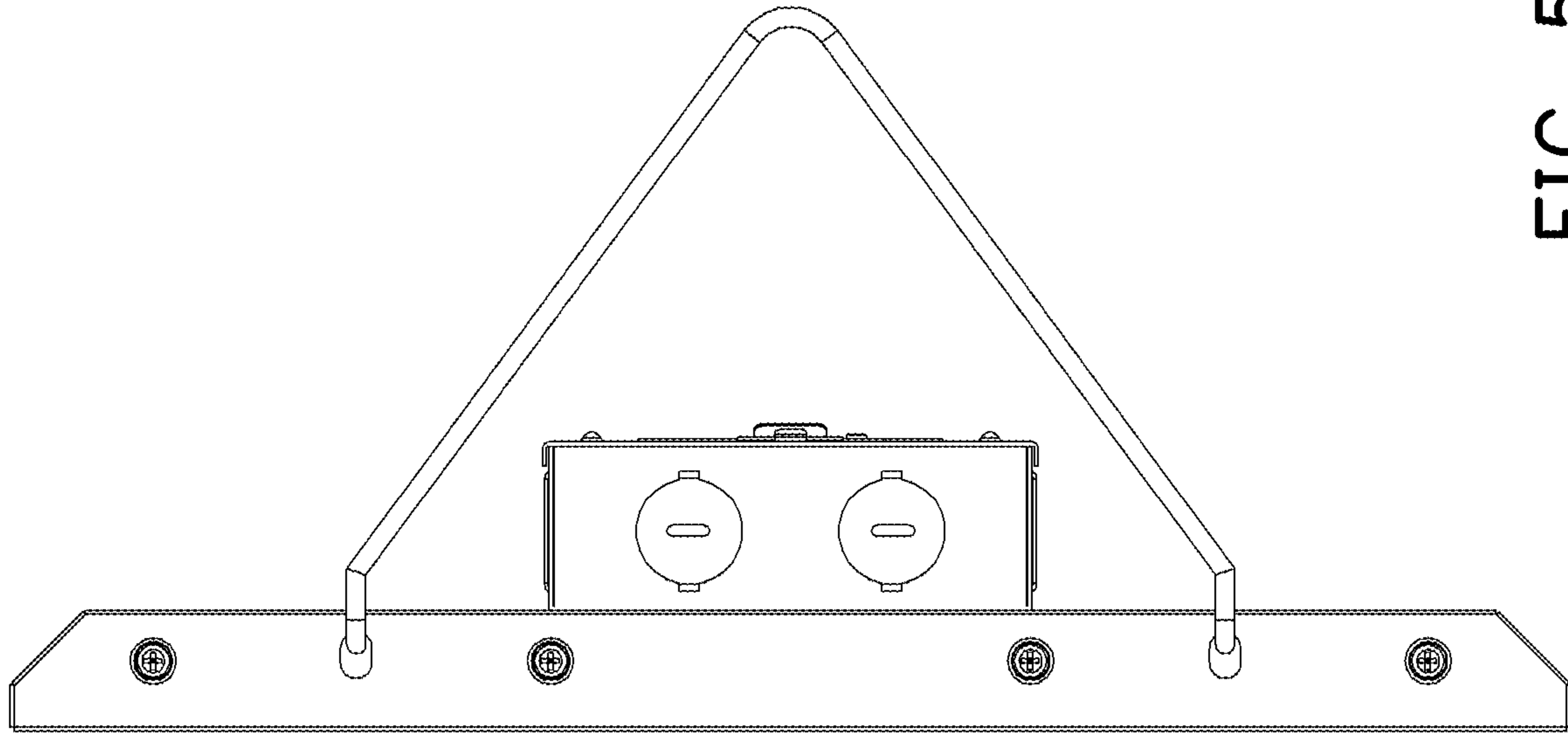


FIG. 5

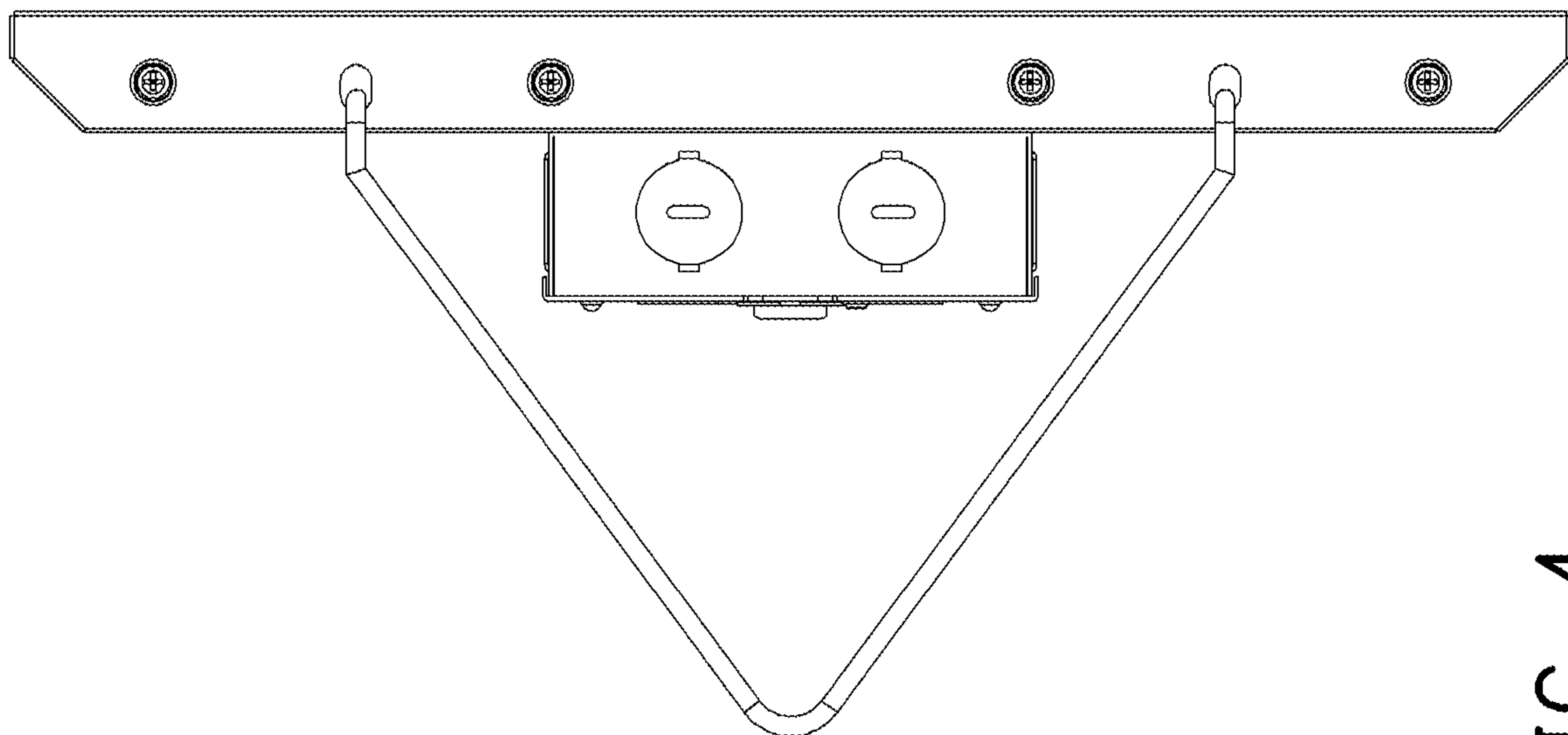


FIG. 4

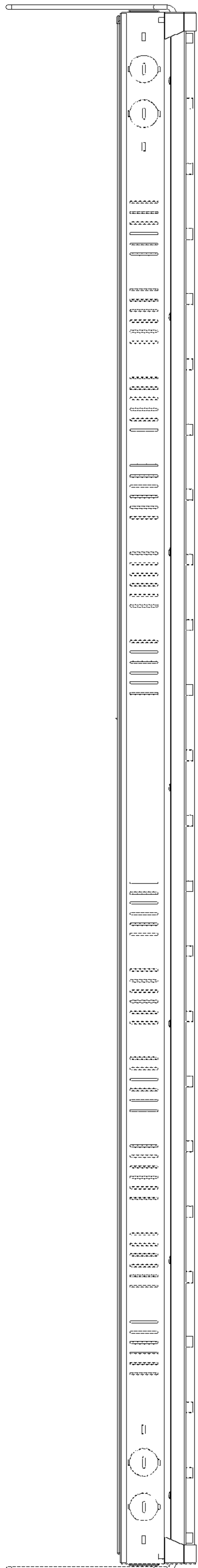


FIG. 6

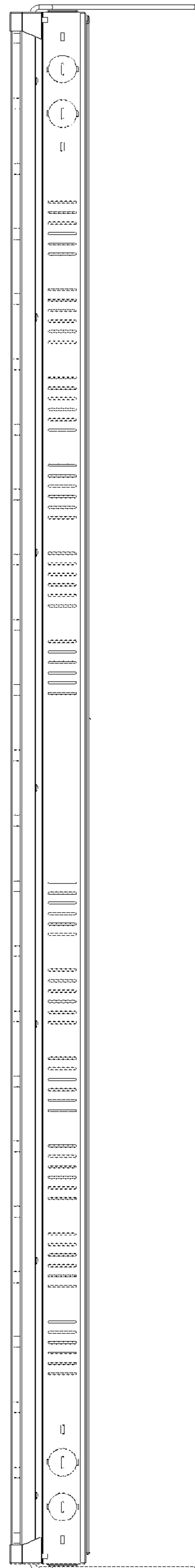


FIG. 7

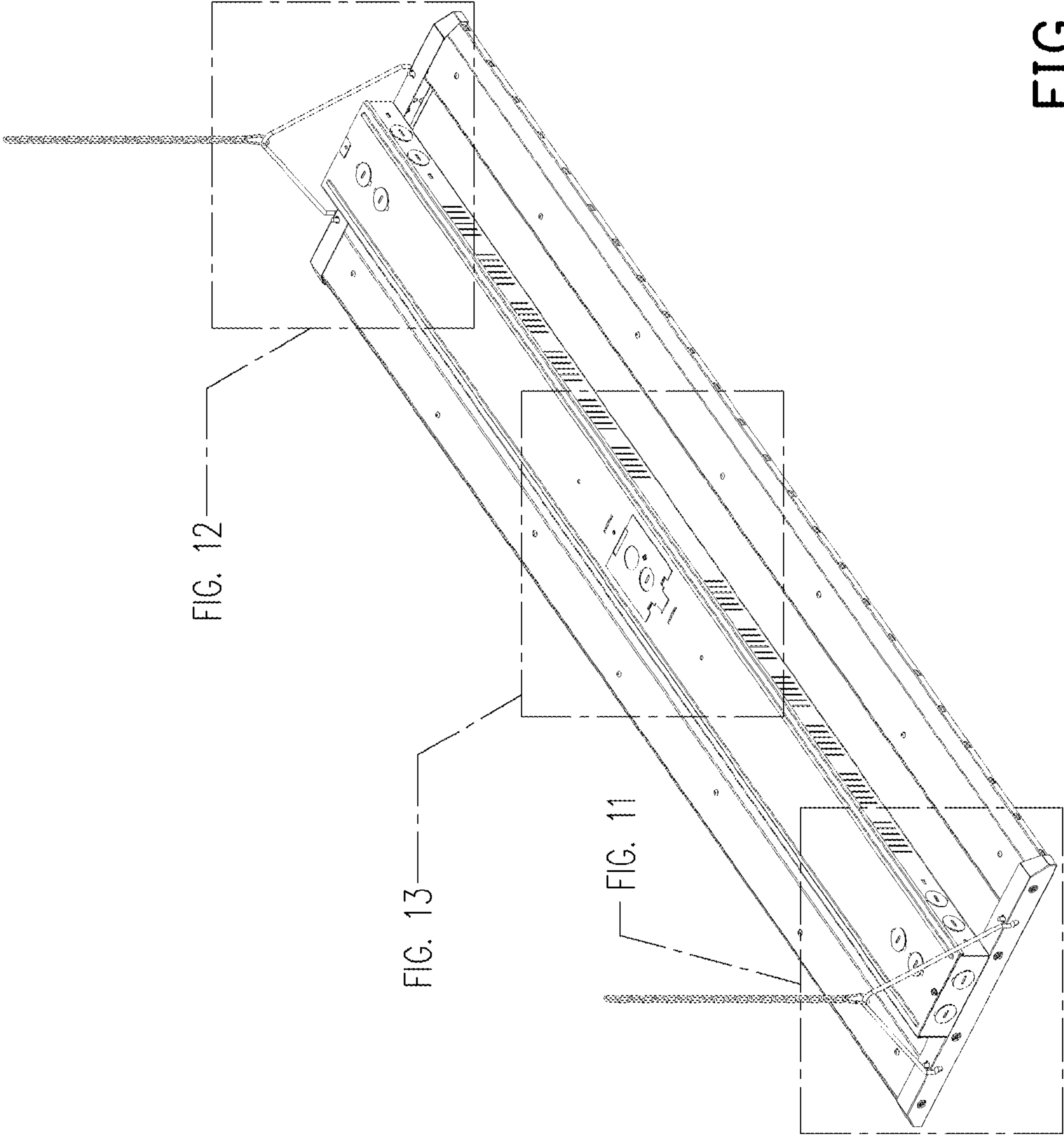


FIG. 8

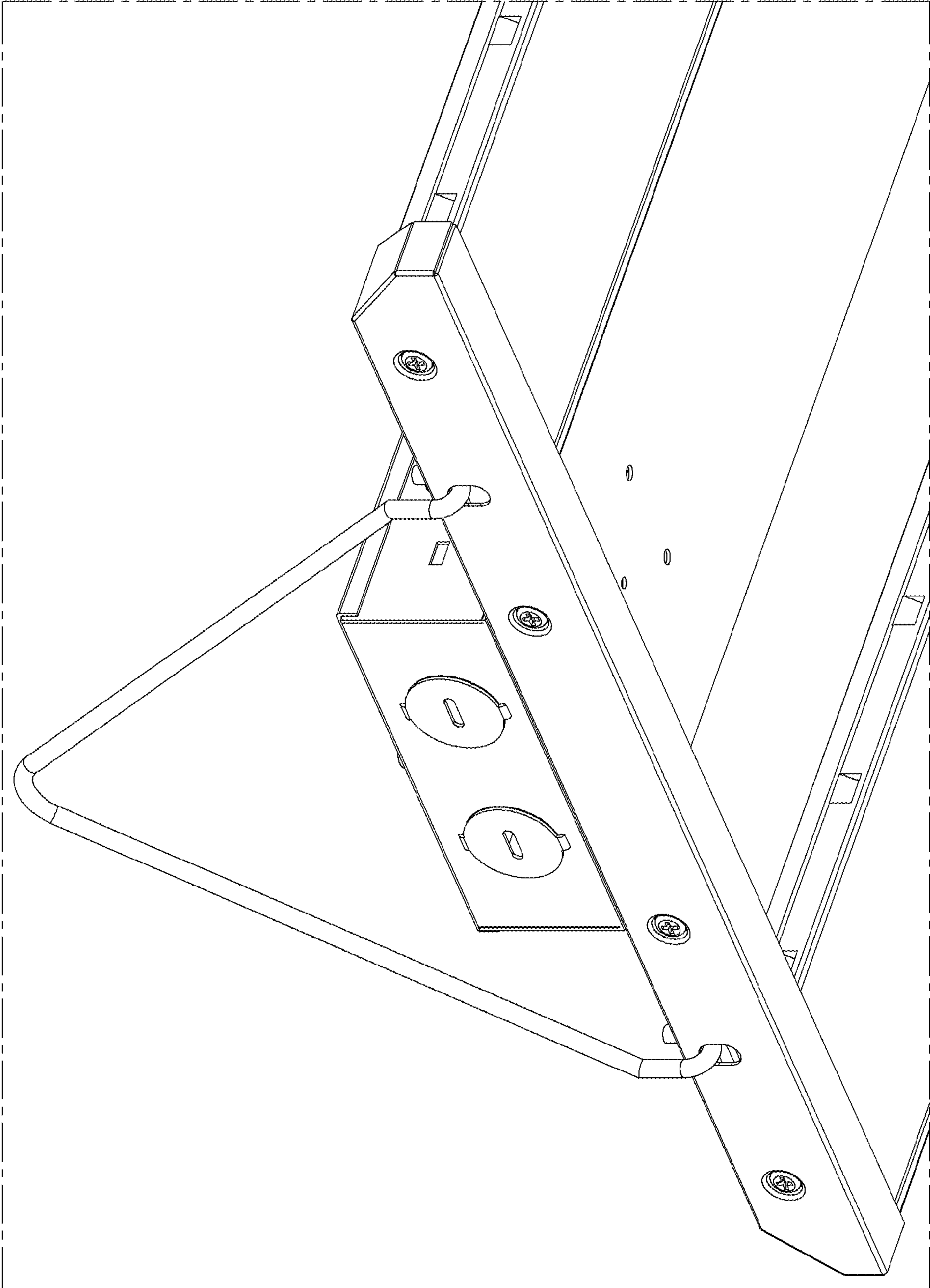
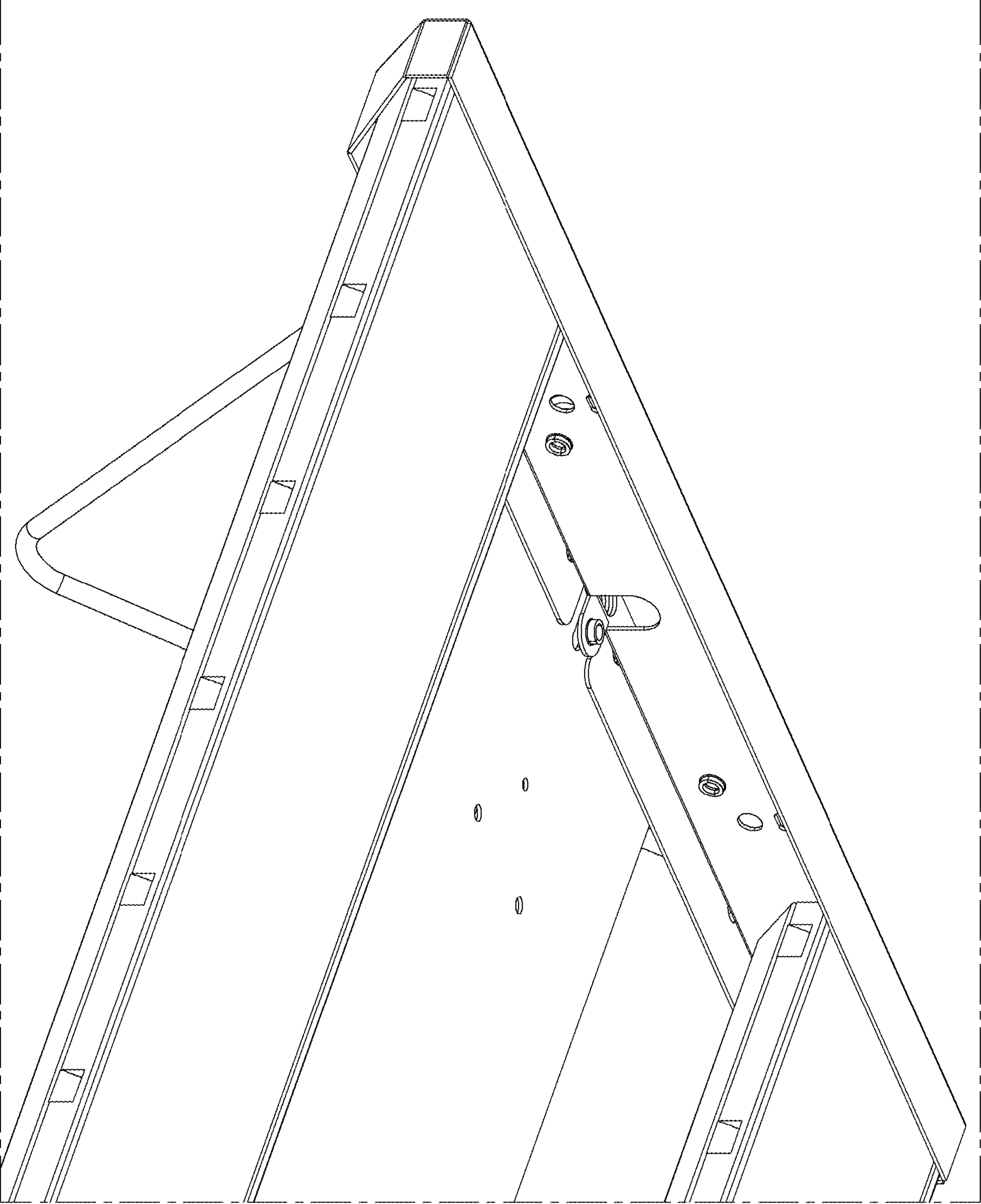


FIG. 9

FIG. 10



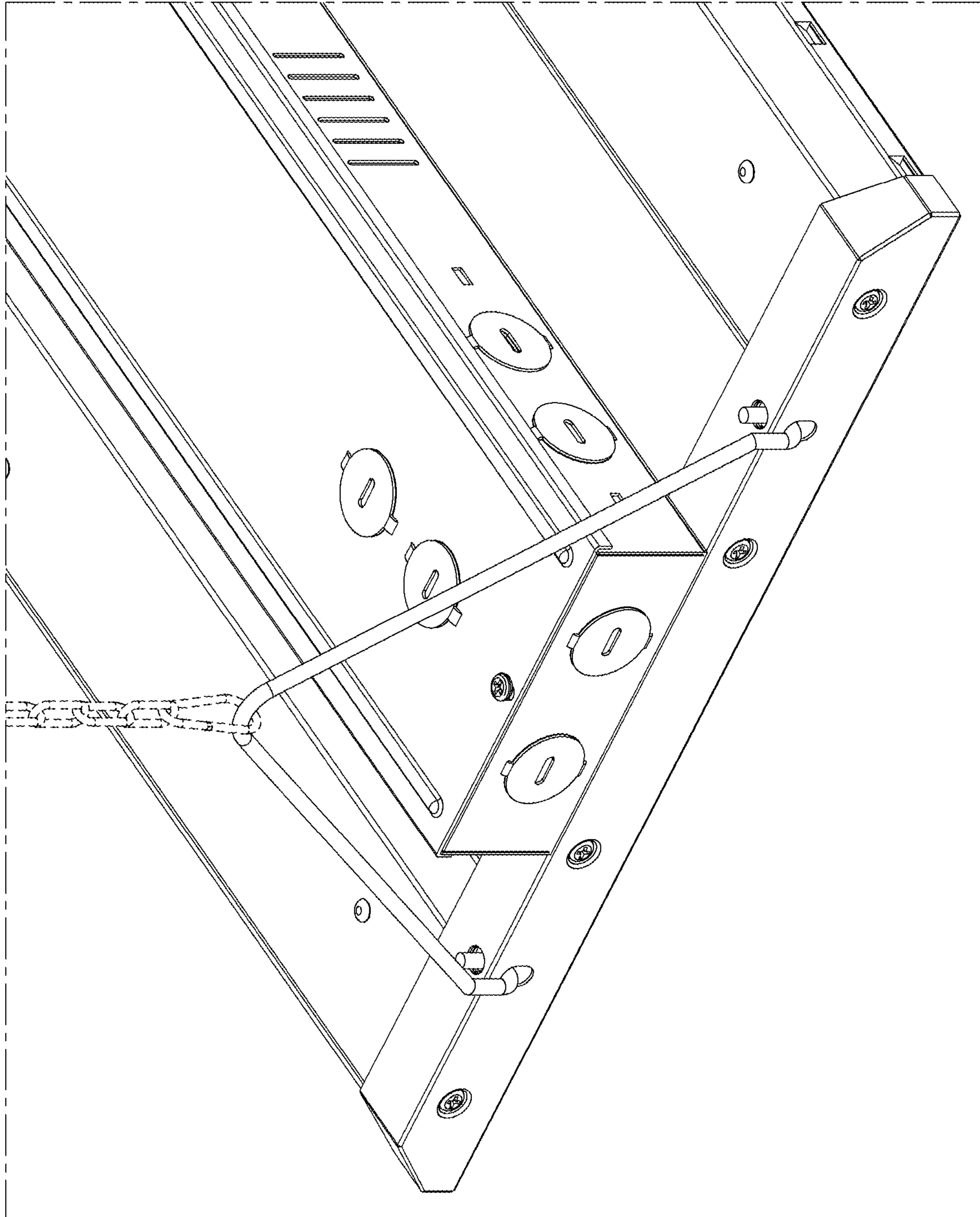


FIG. 11

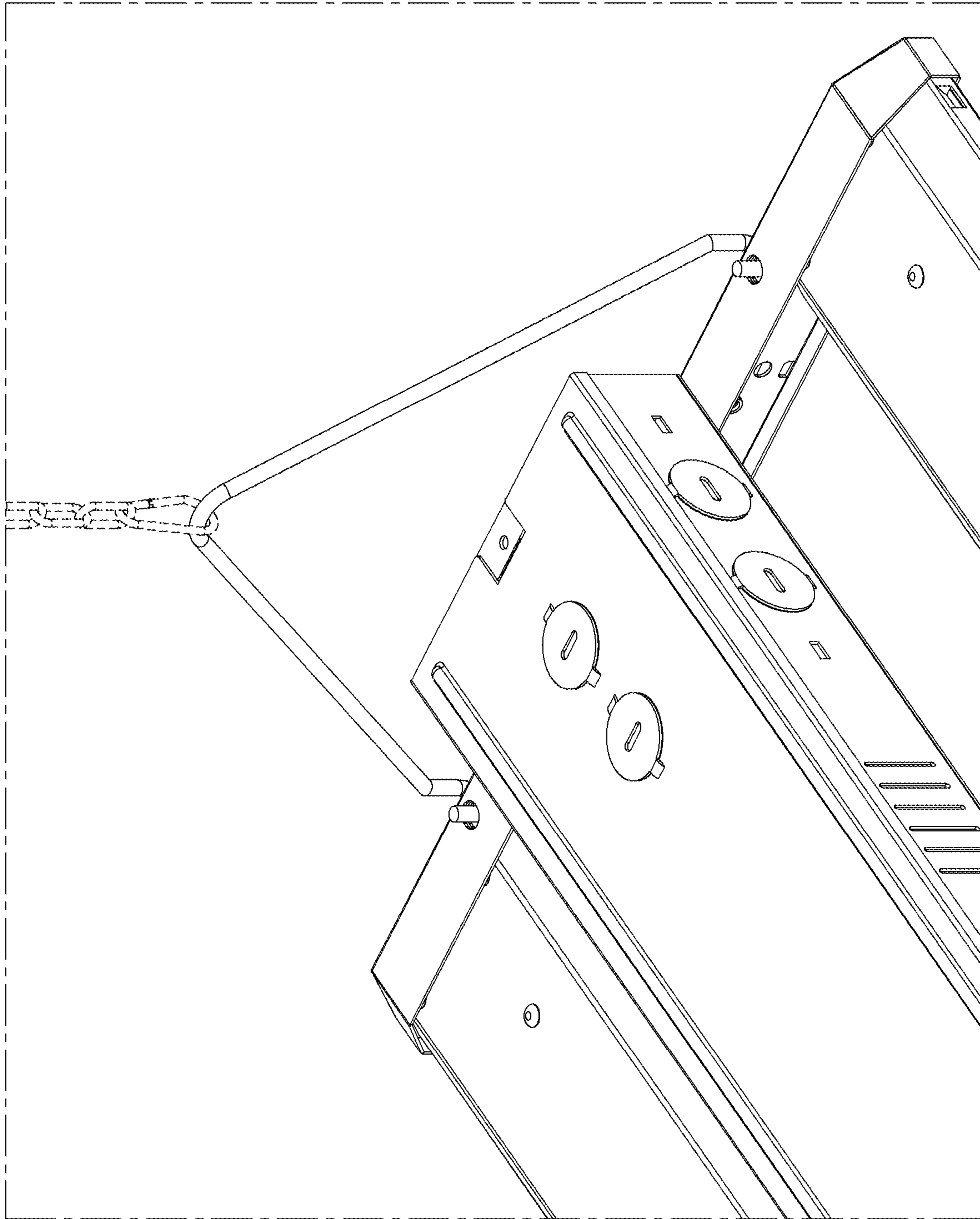
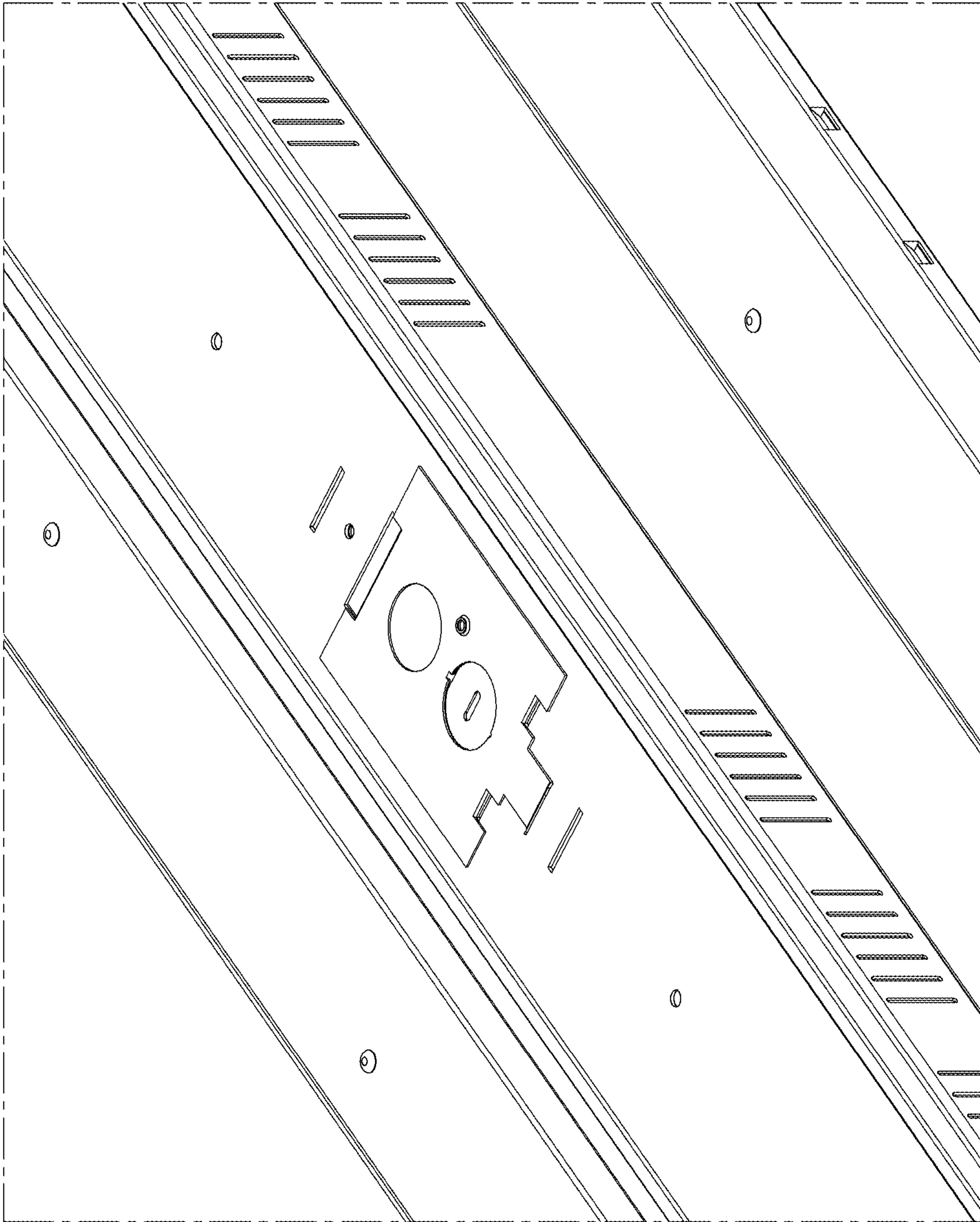


FIG. 12

FIG. 13



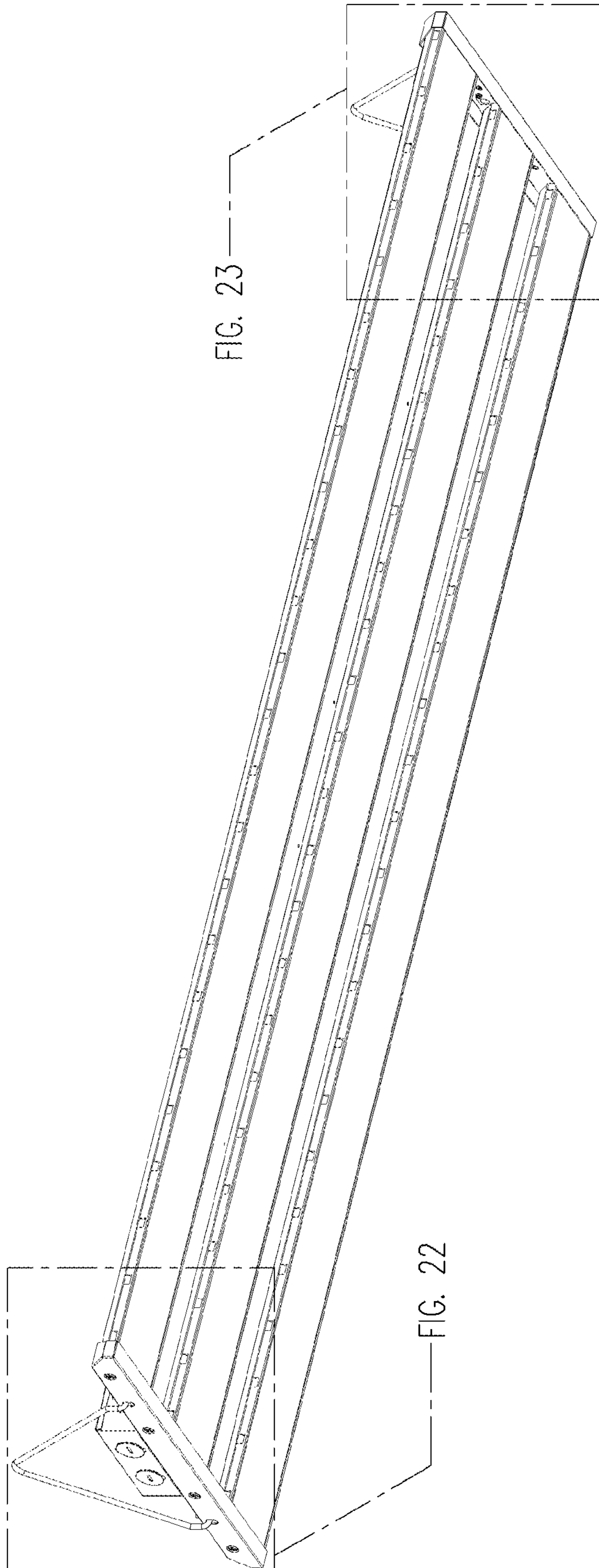


FIG. 14

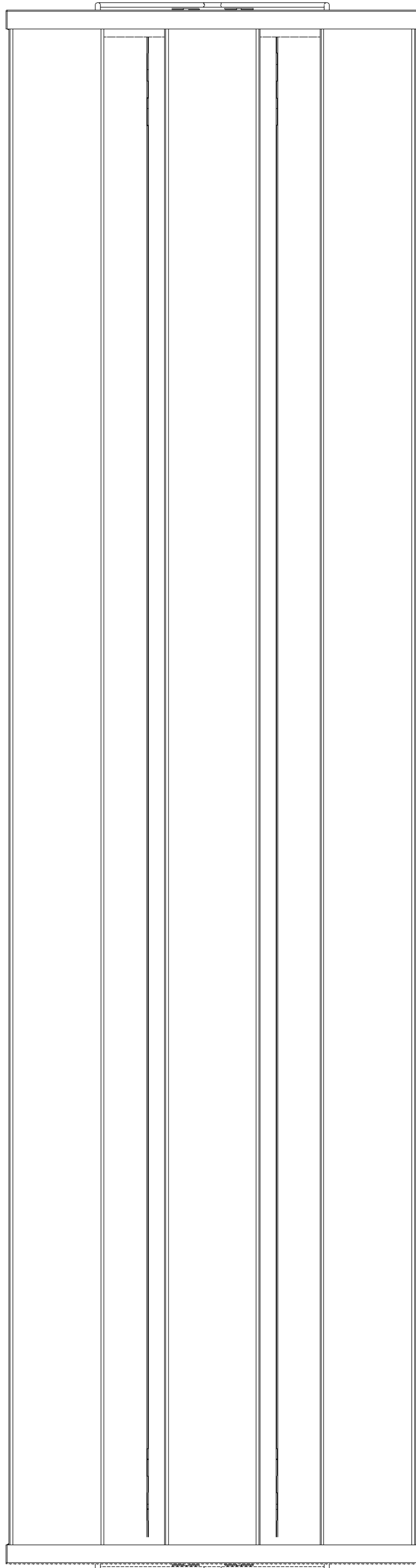


FIG. 15

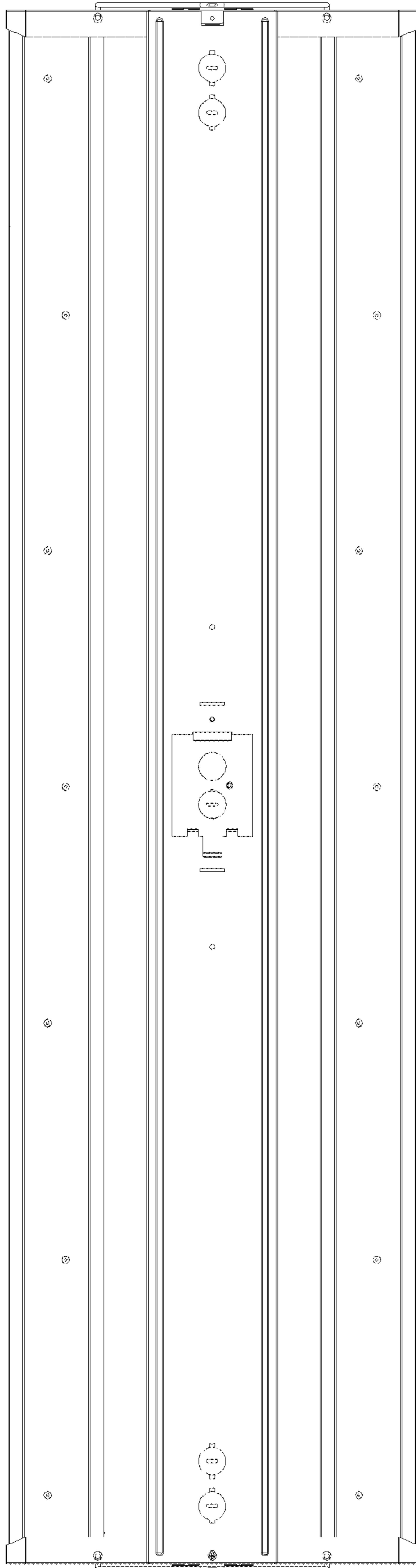


FIG. 16

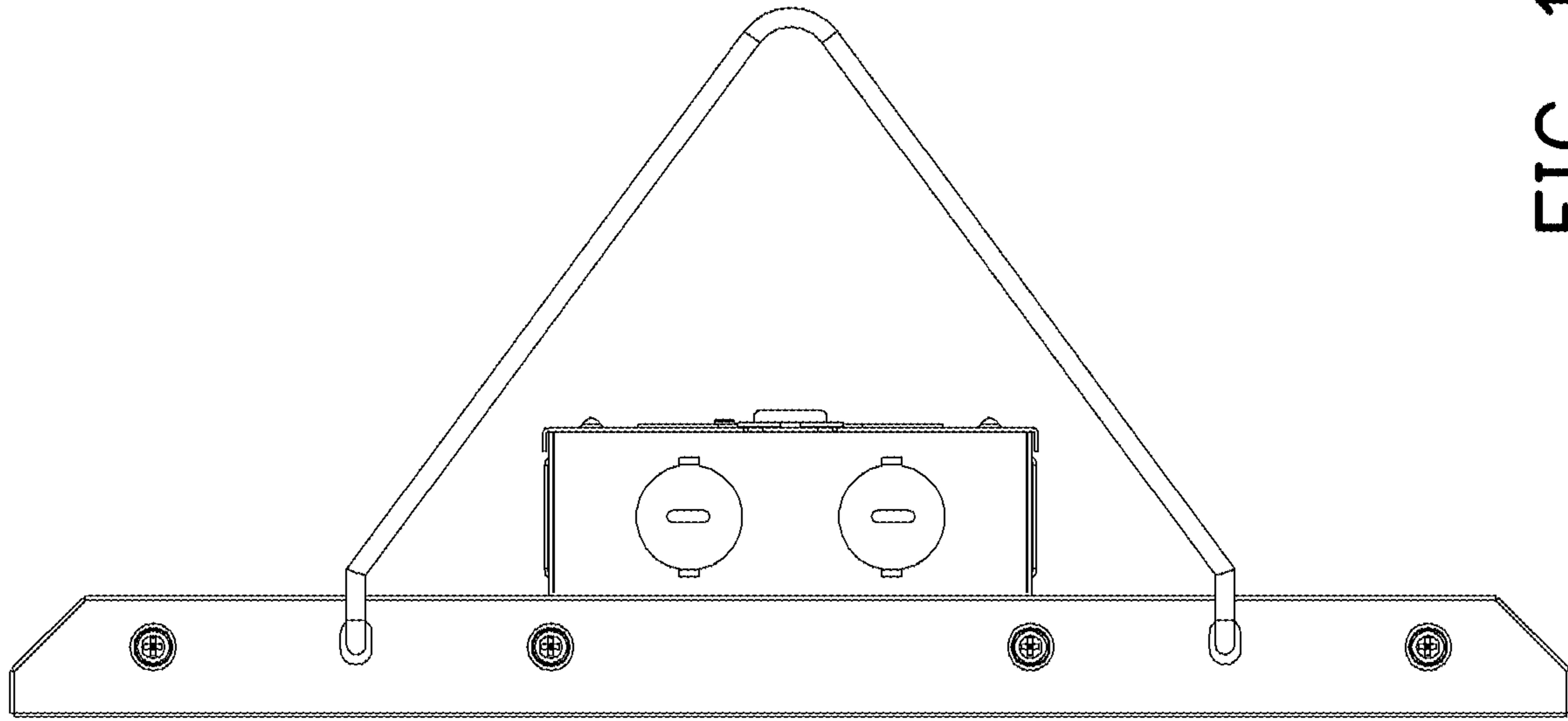


FIG. 18

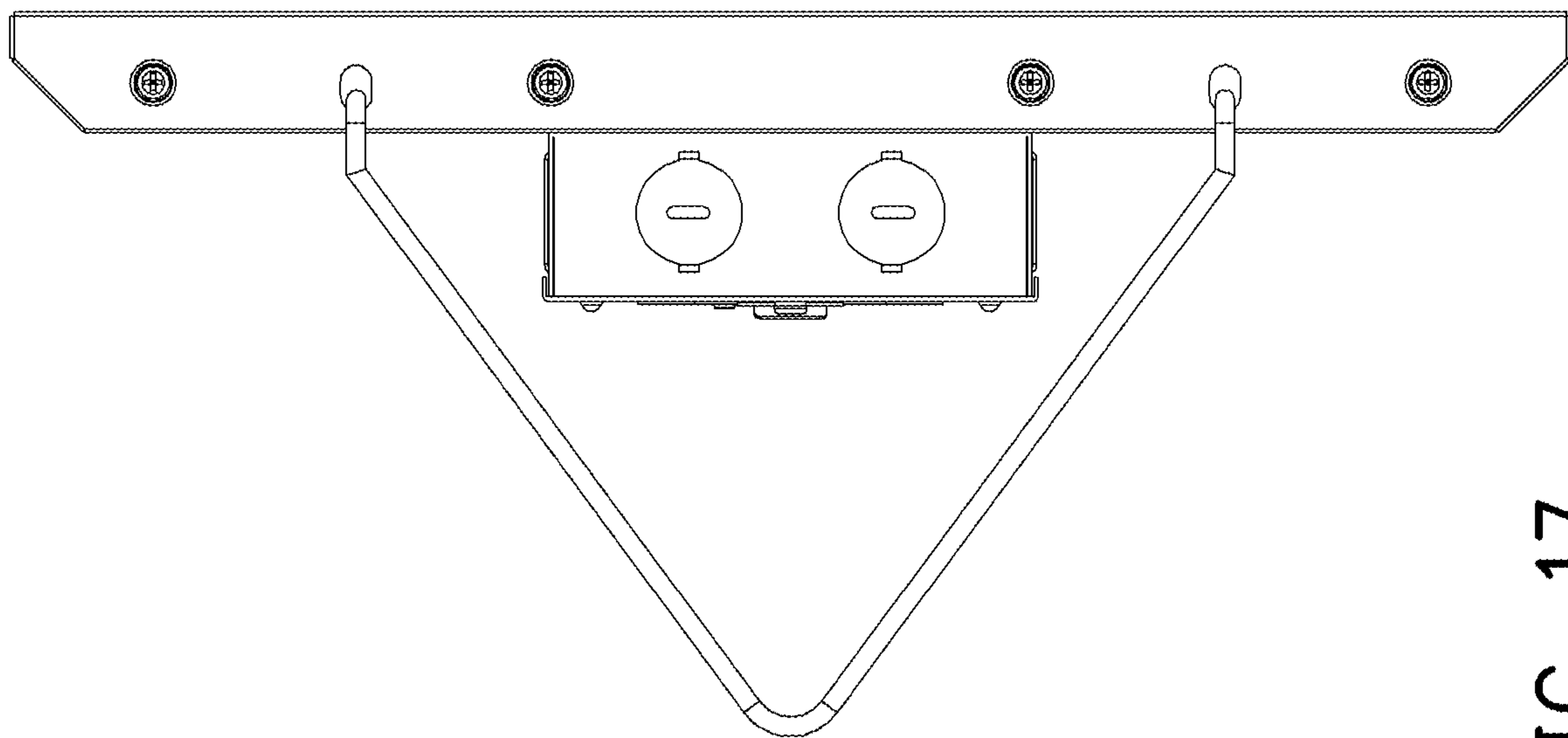


FIG. 17

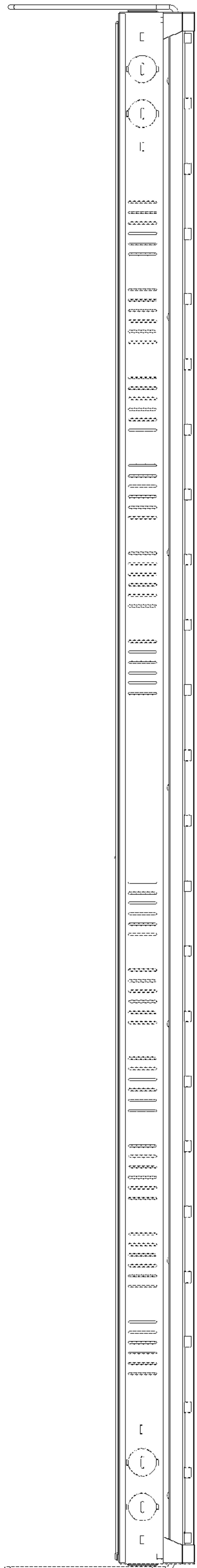


FIG. 19

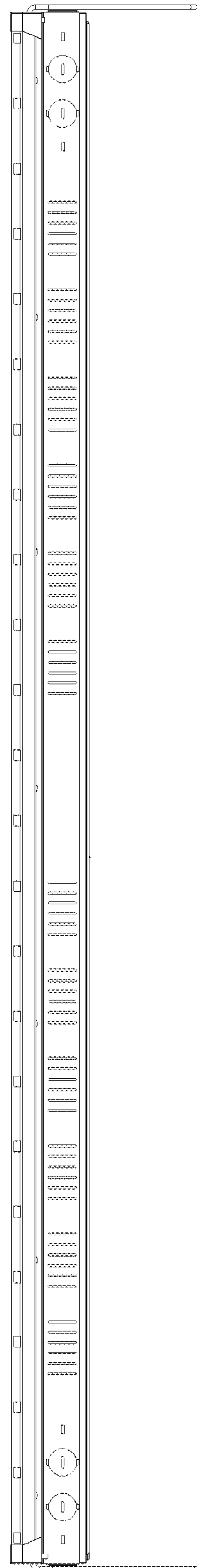


FIG. 20

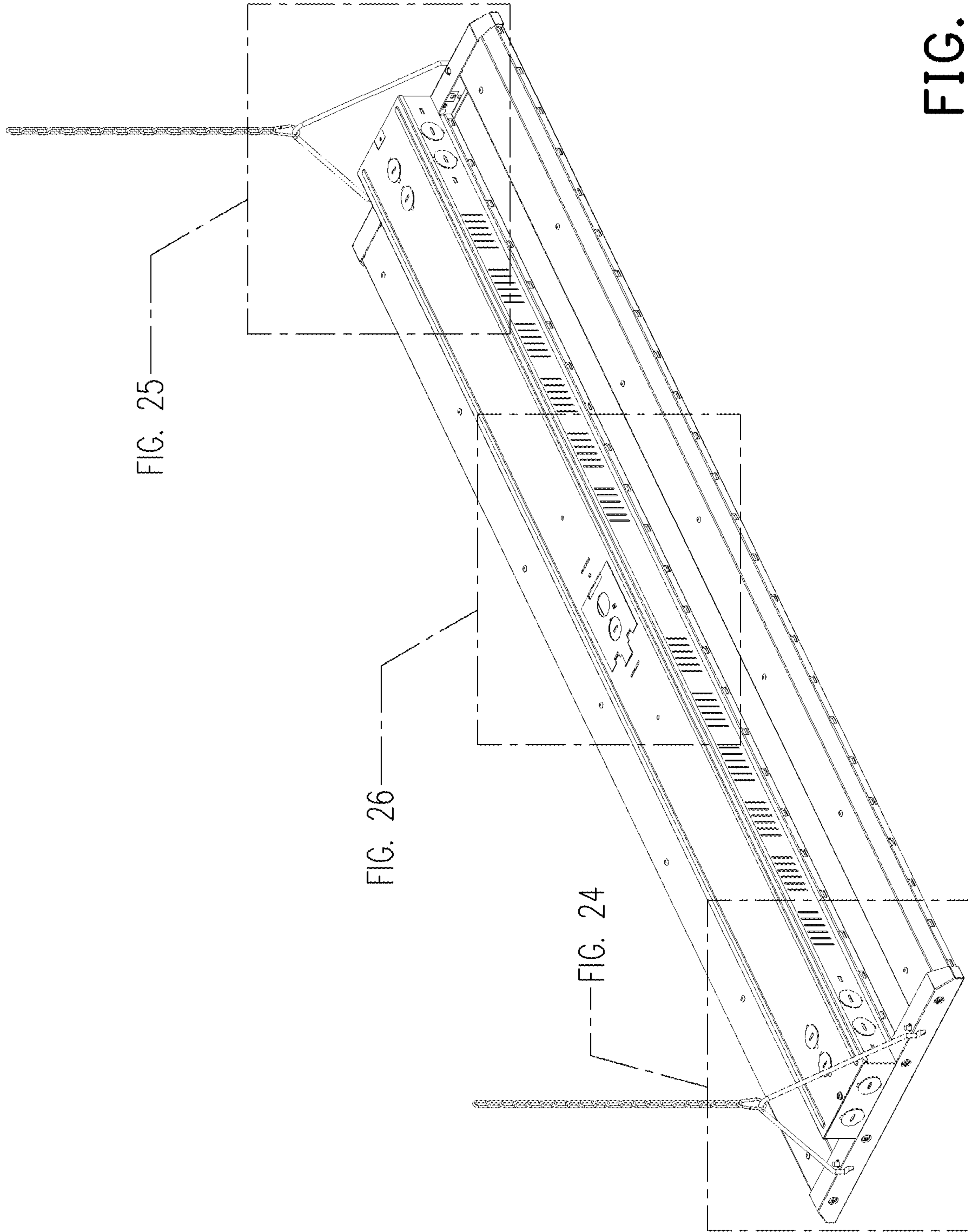


FIG. 21

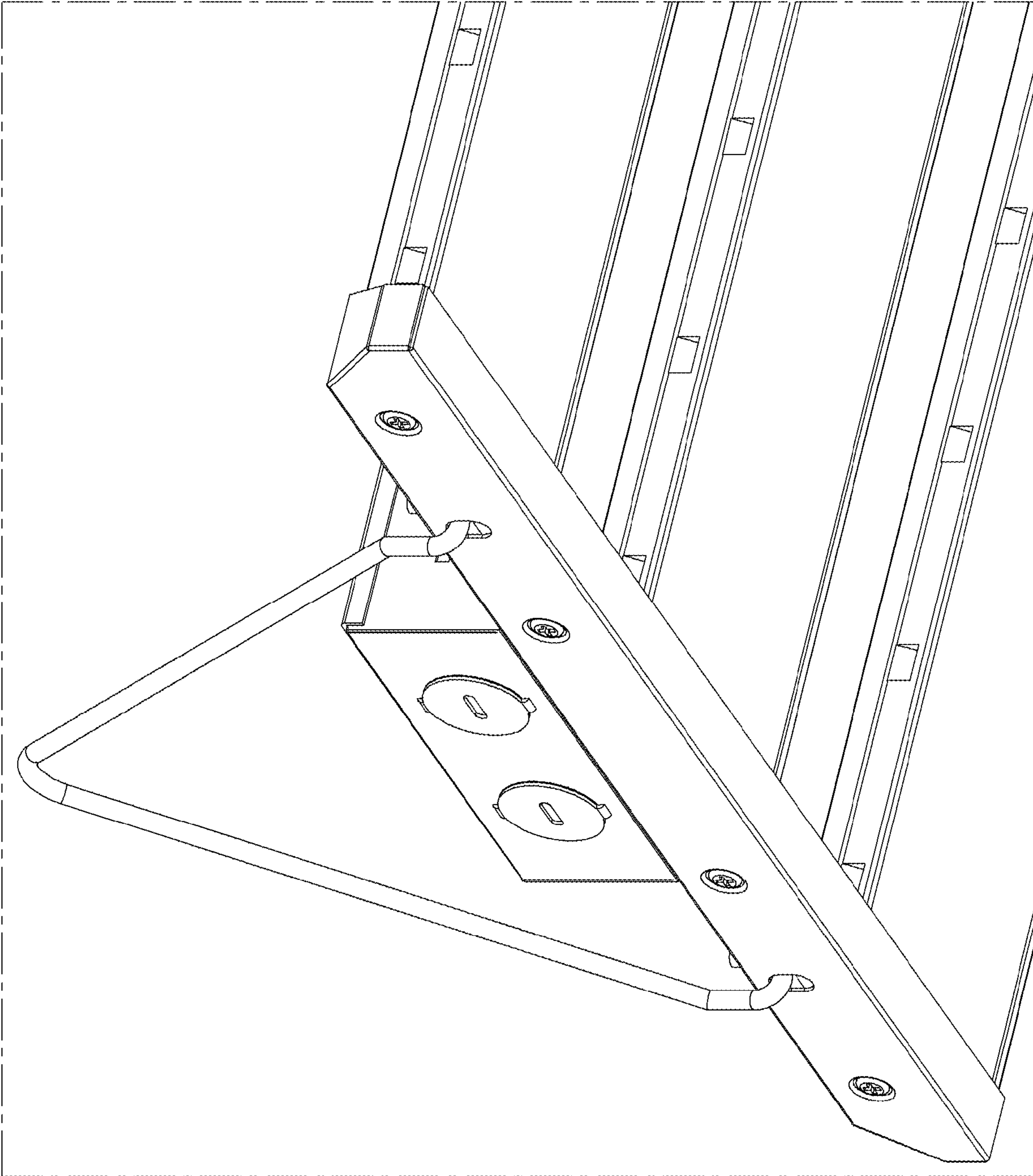


FIG. 22

FIG. 23

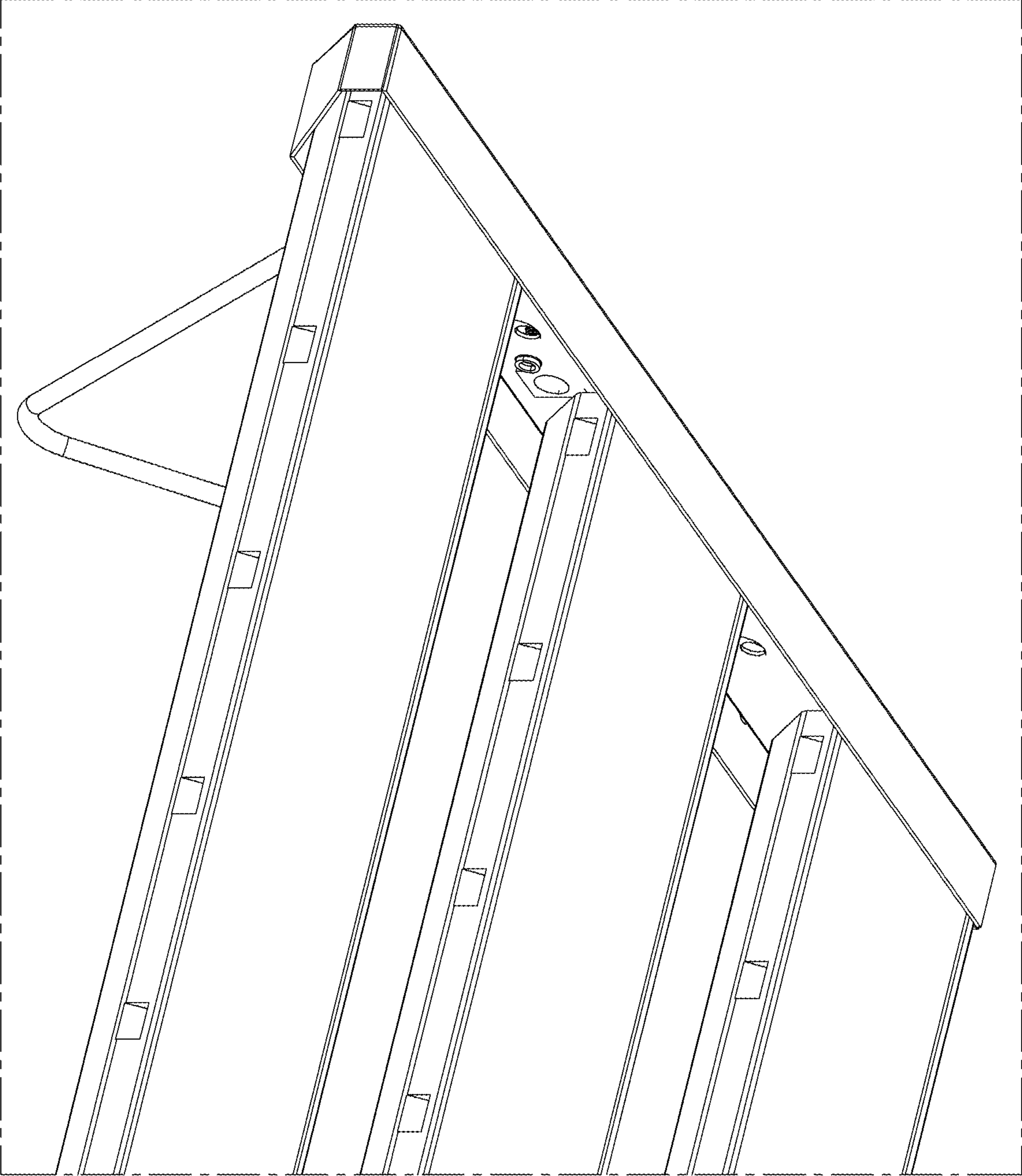


FIG. 24

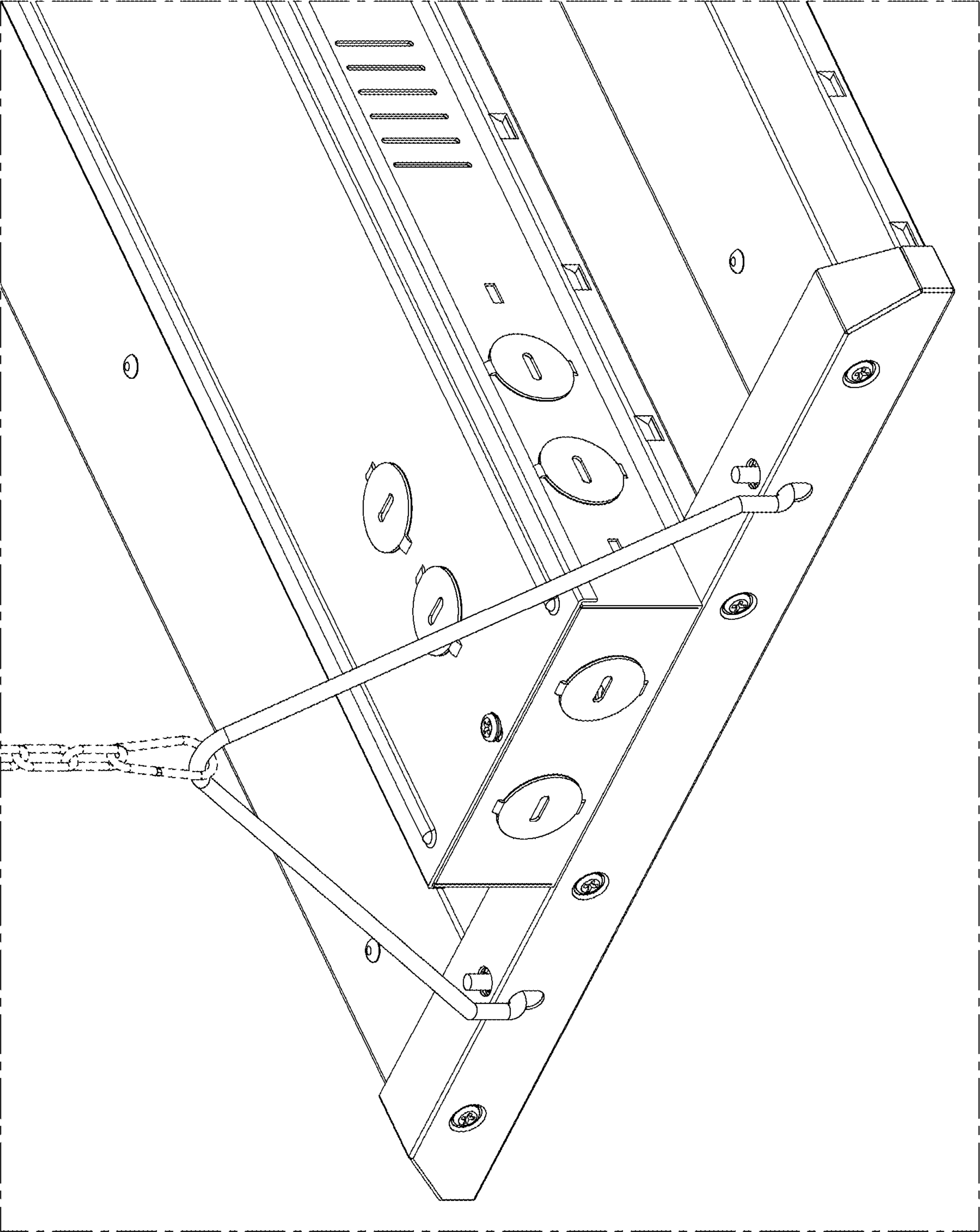


FIG. 25

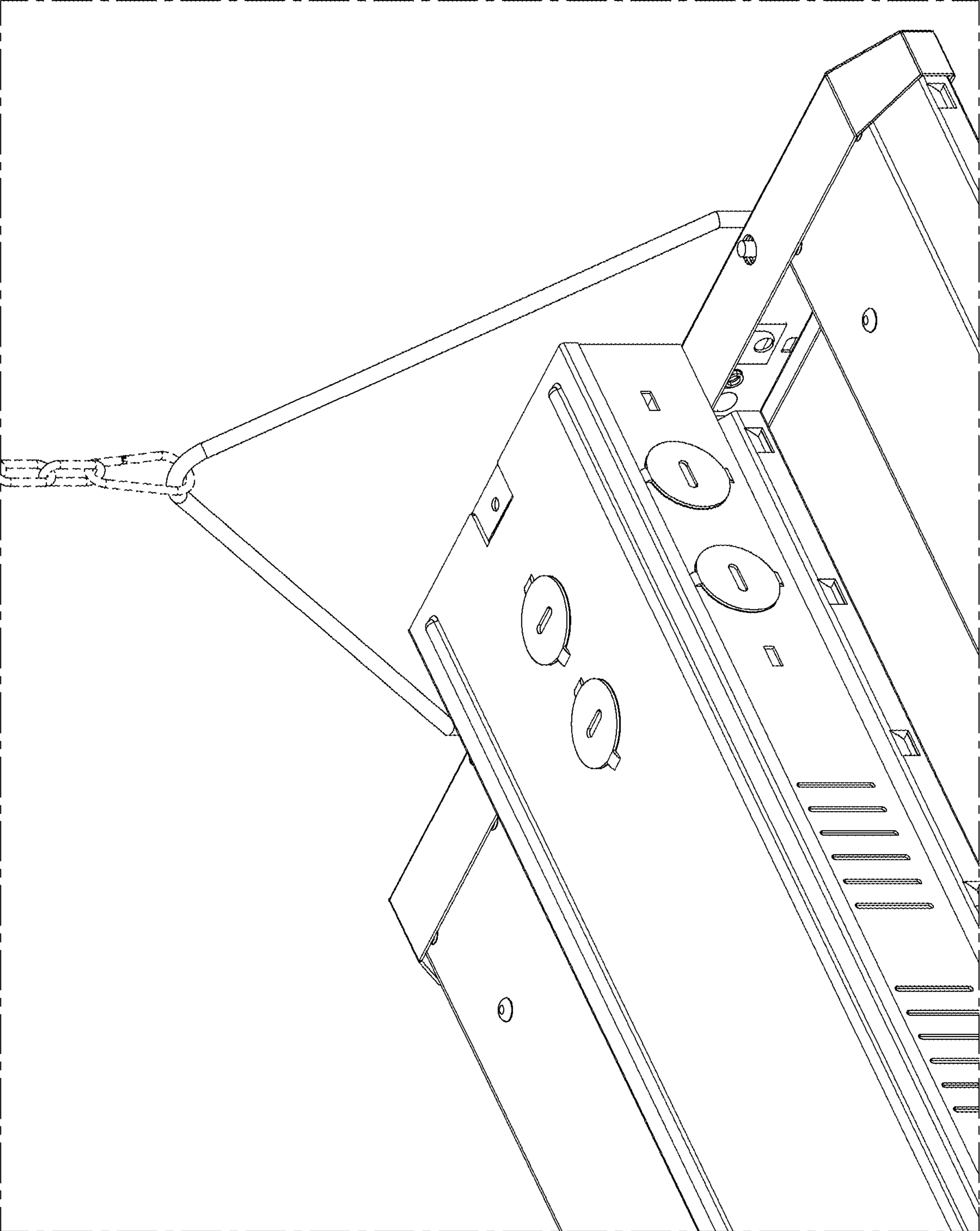
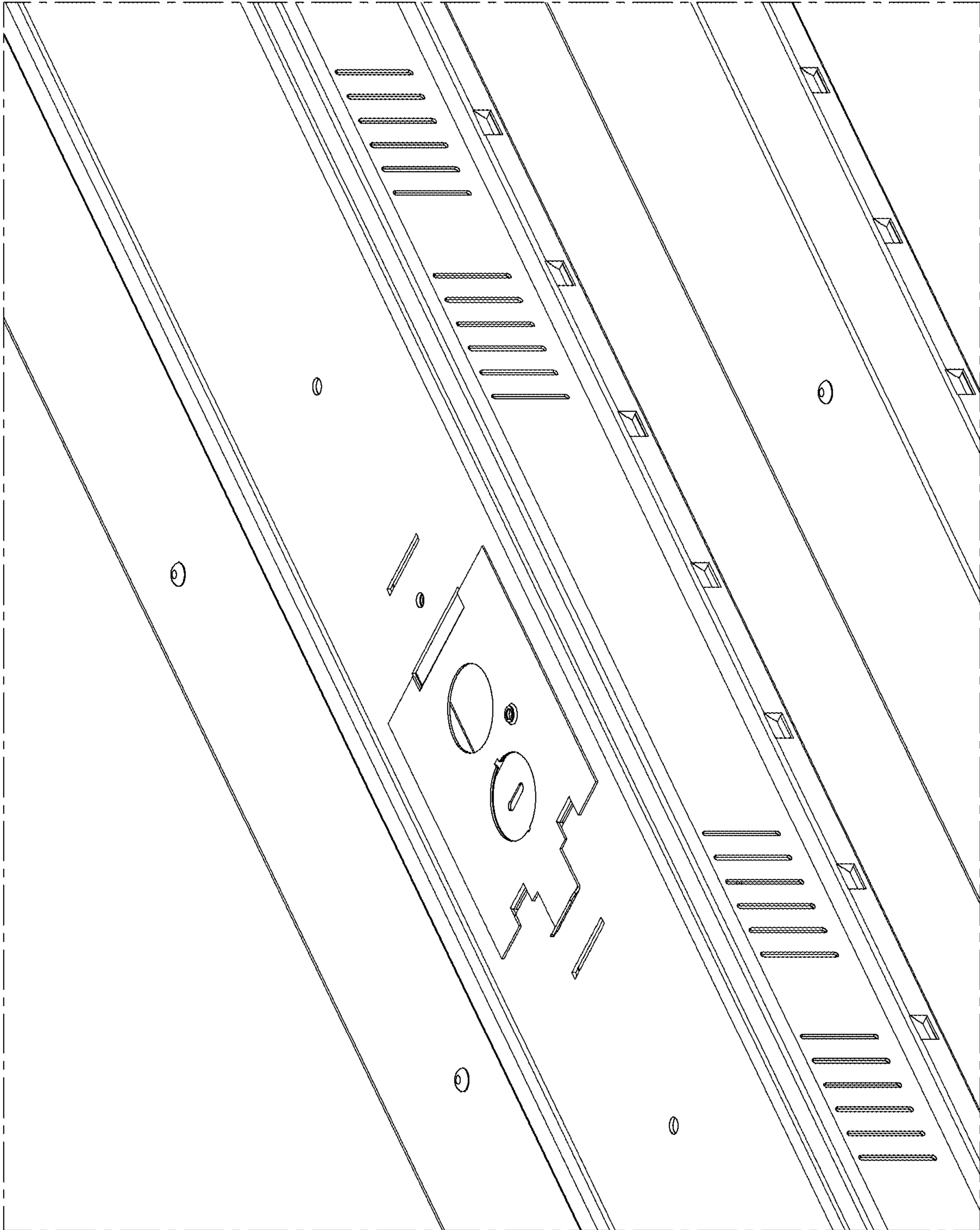


FIG. 26



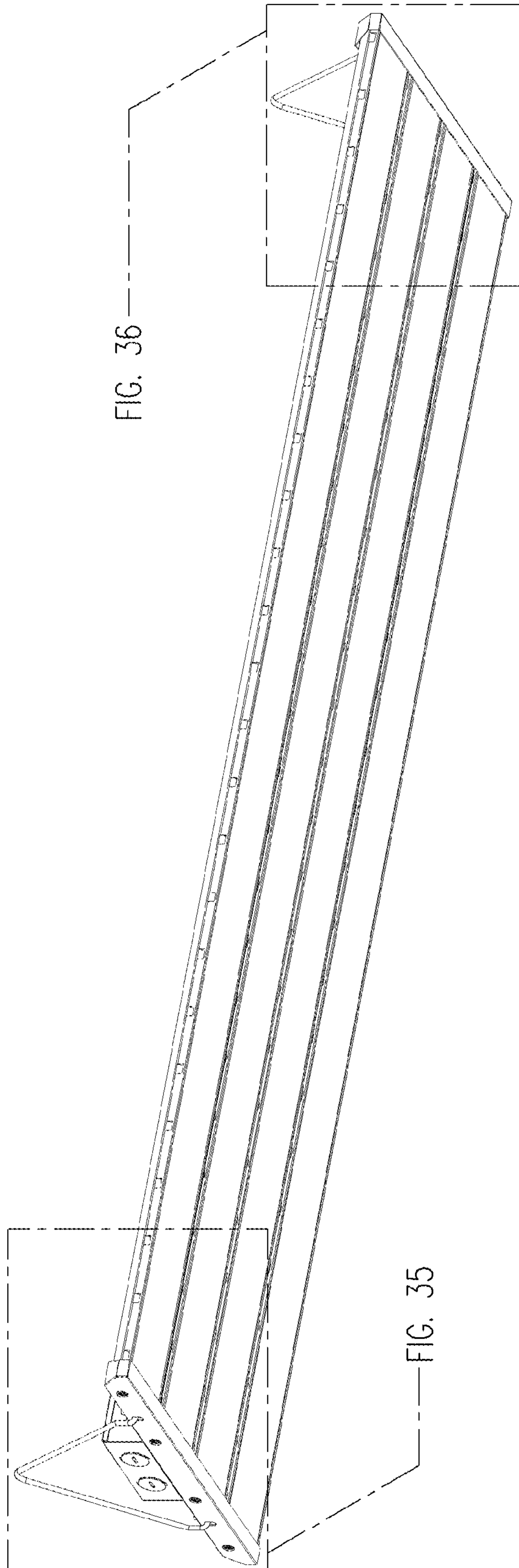


FIG. 27

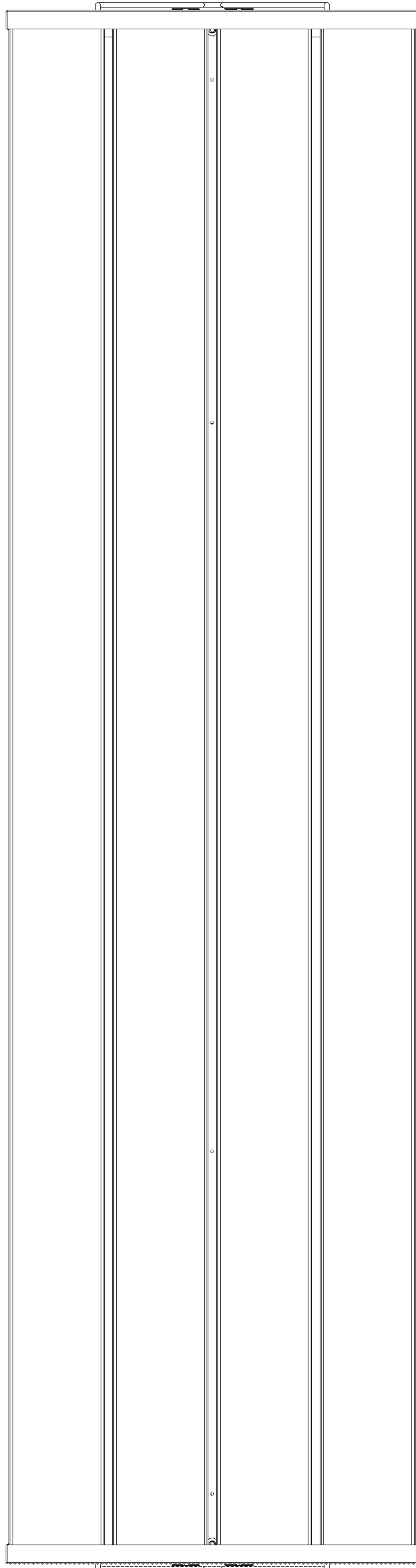


FIG. 28

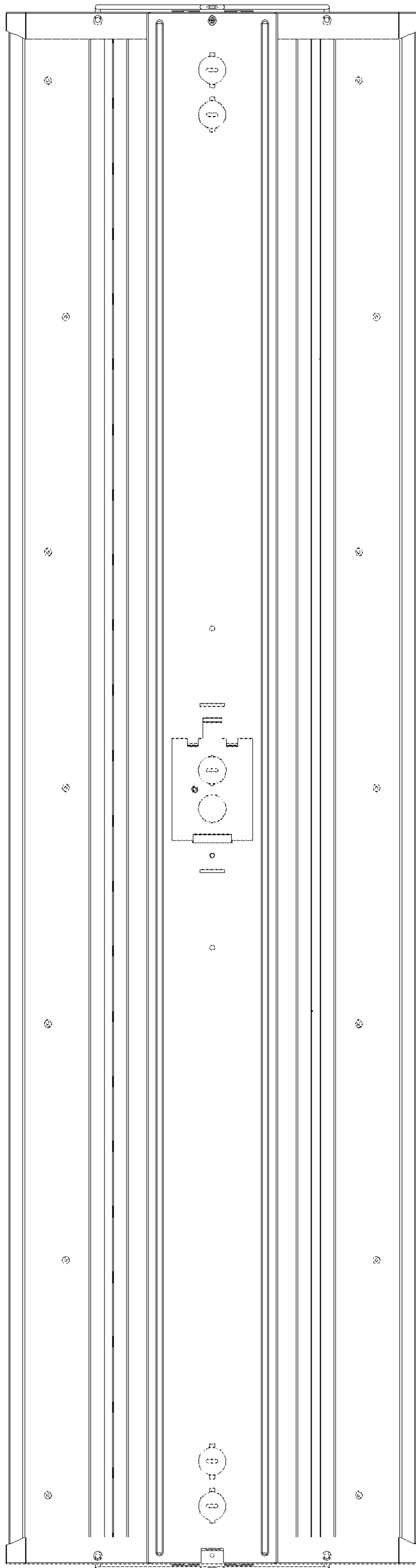


FIG. 29

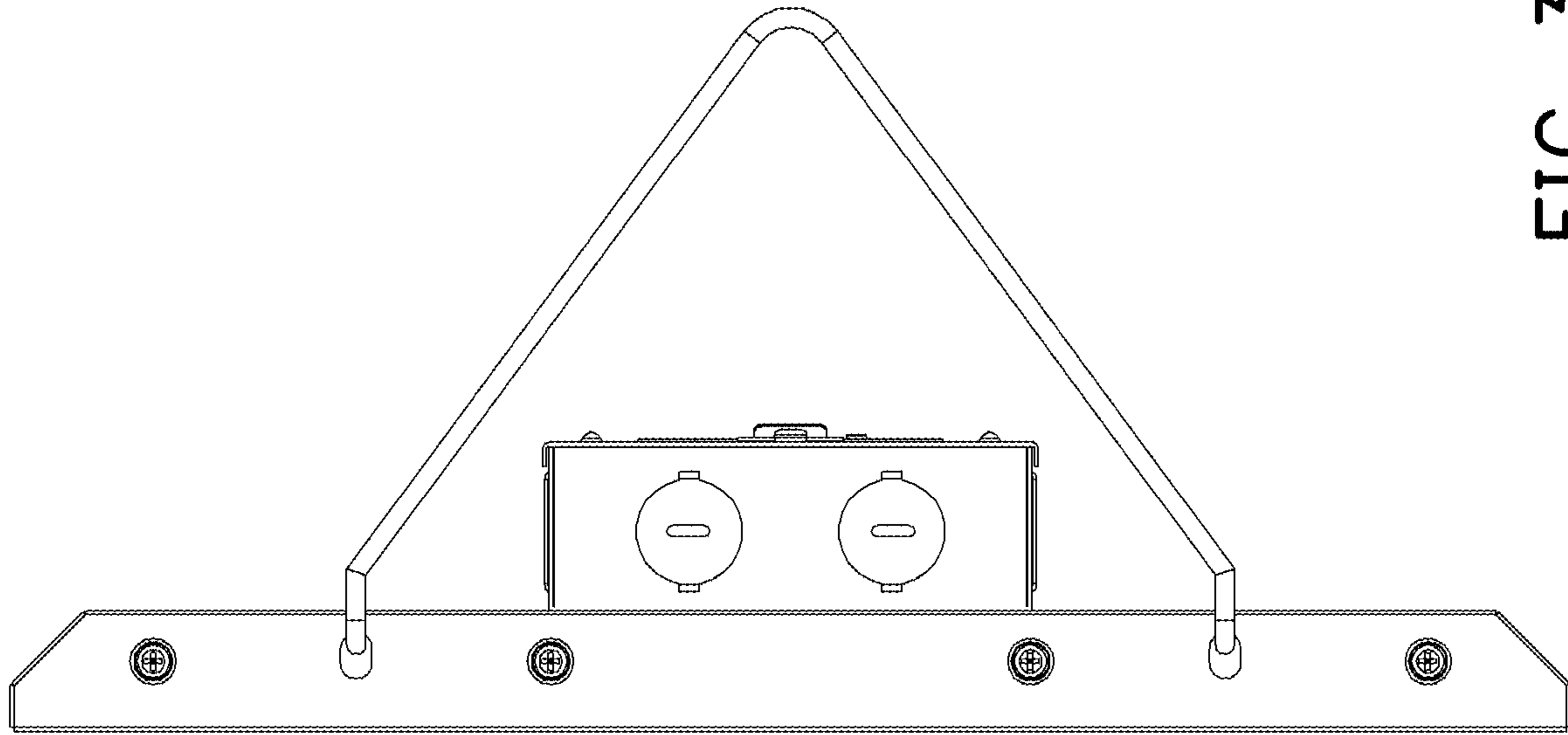


FIG. 31

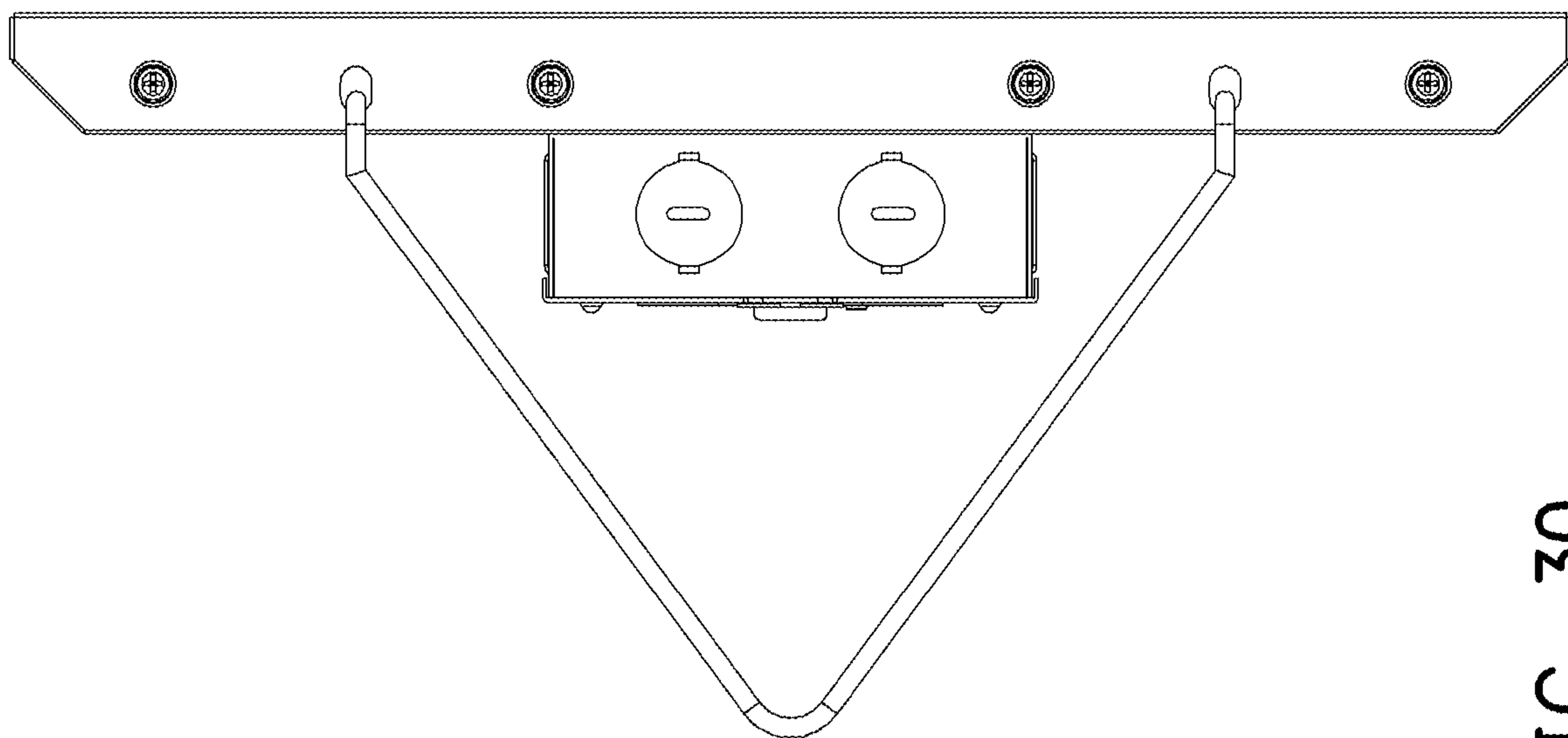


FIG. 30

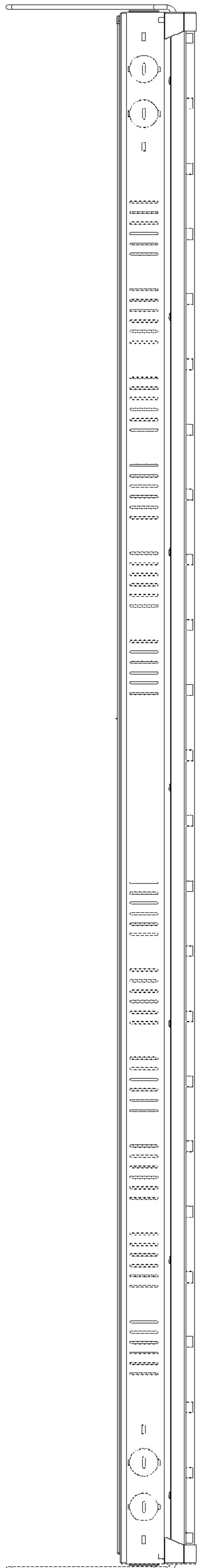


FIG. 32

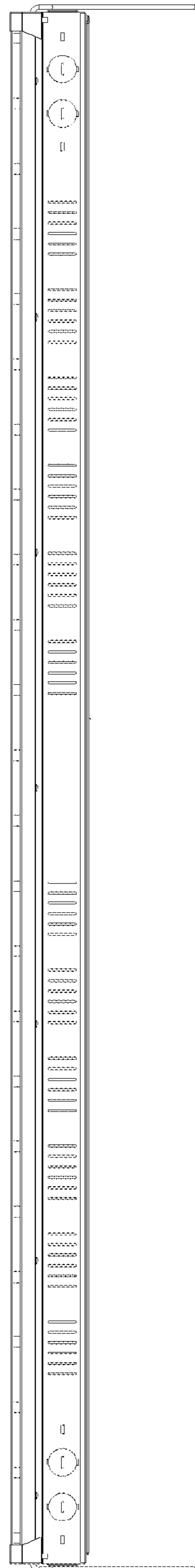


FIG. 33

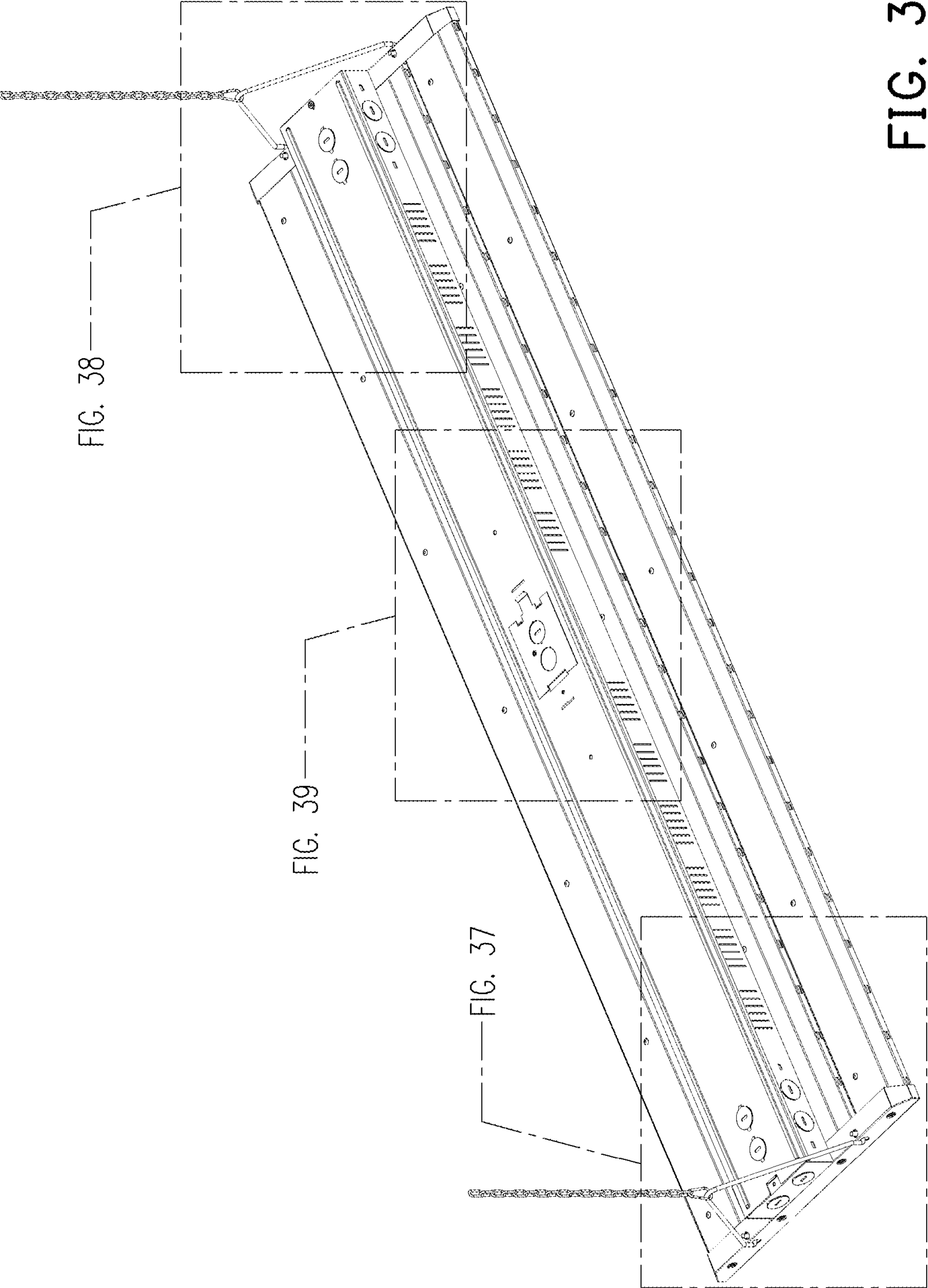
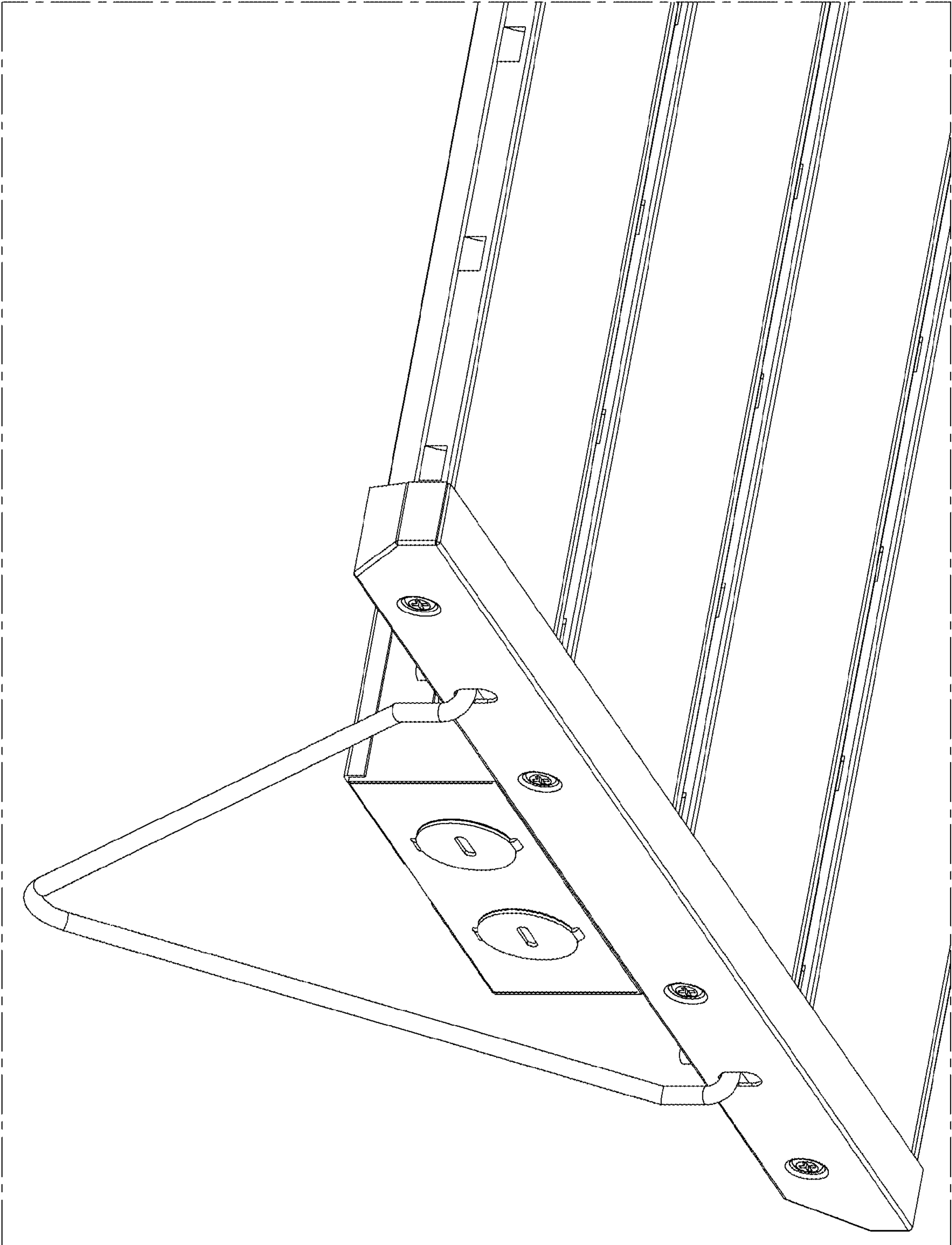


FIG. 34

FIG. 35



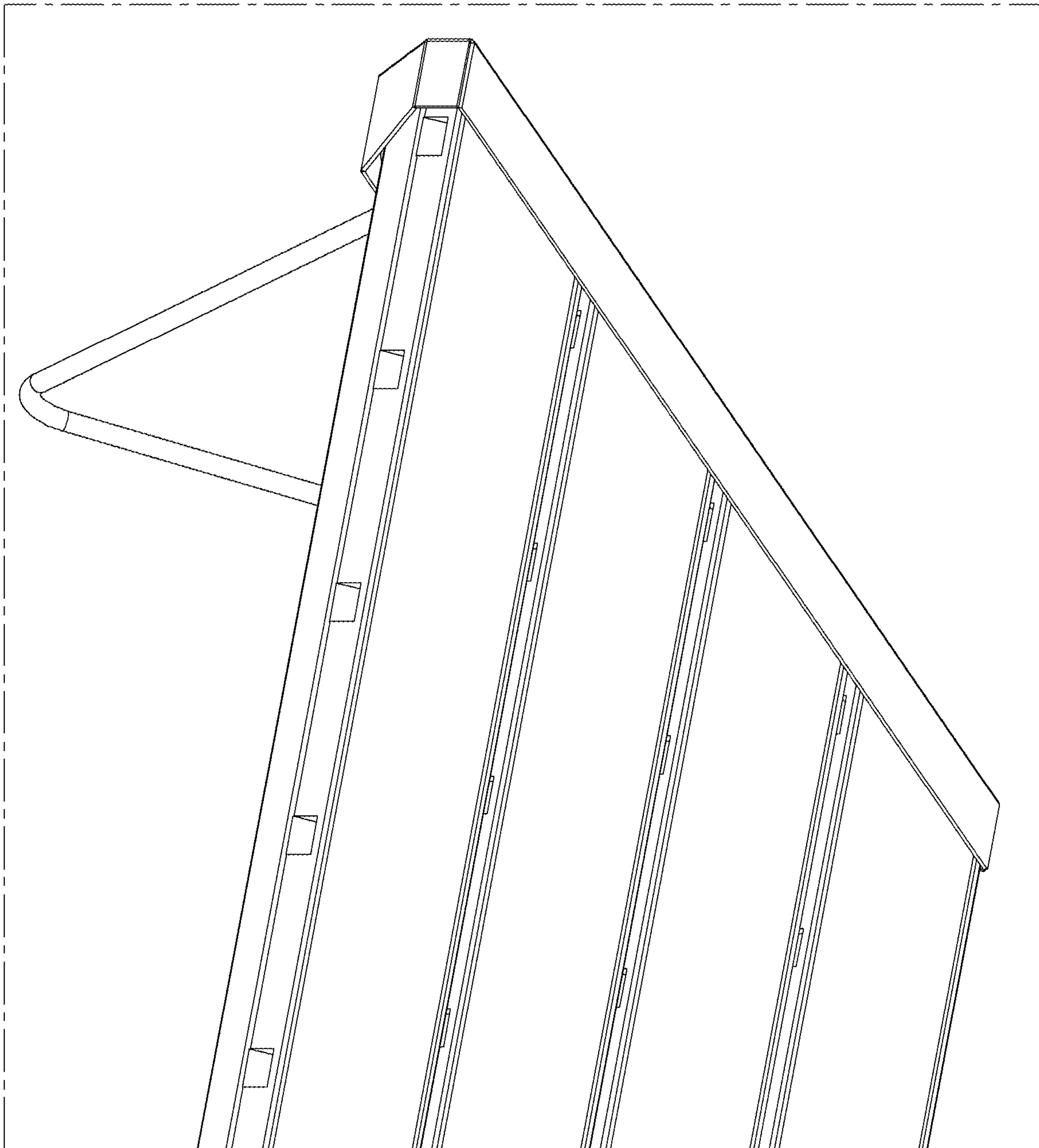


FIG. 36

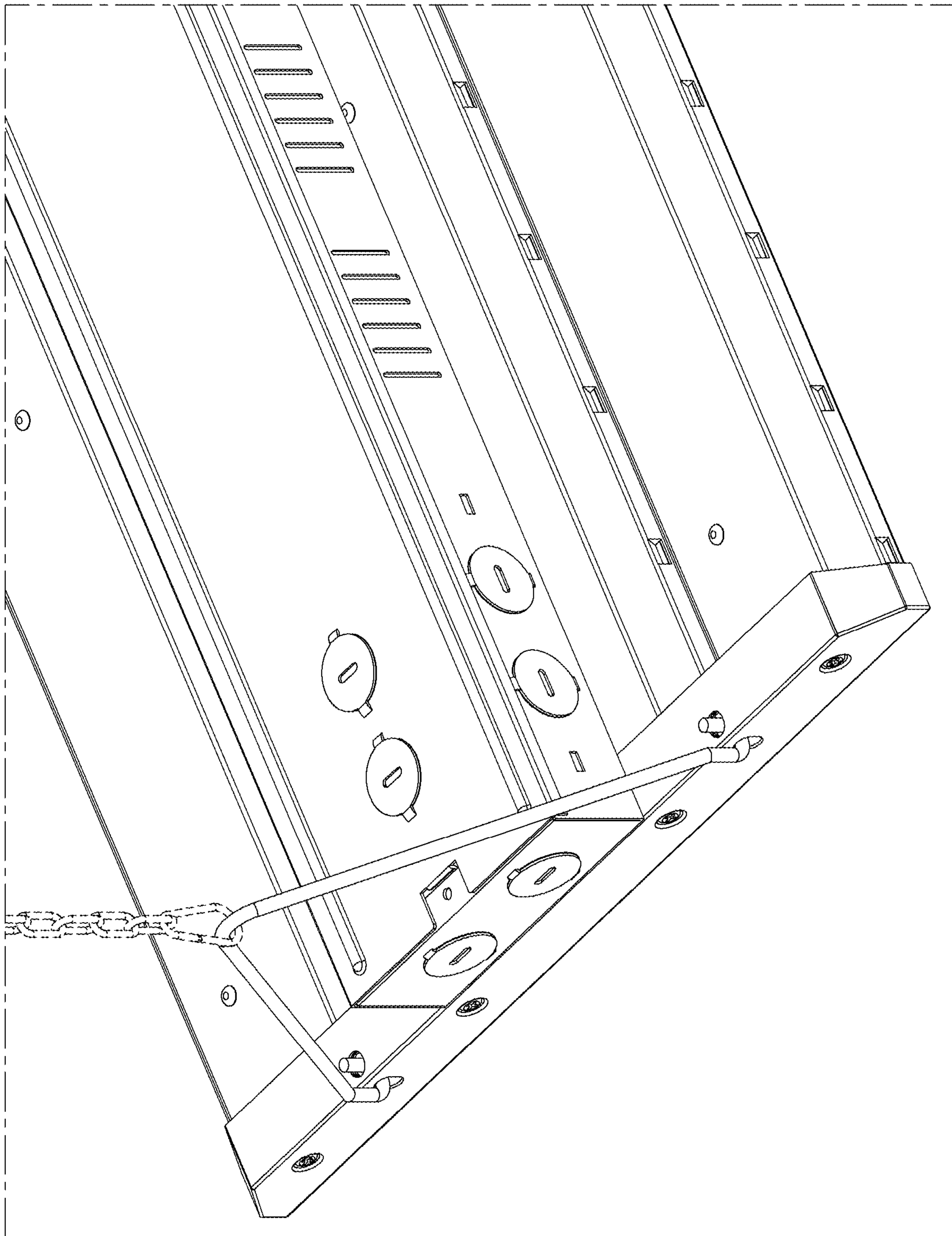


FIG. 37

FIG. 38

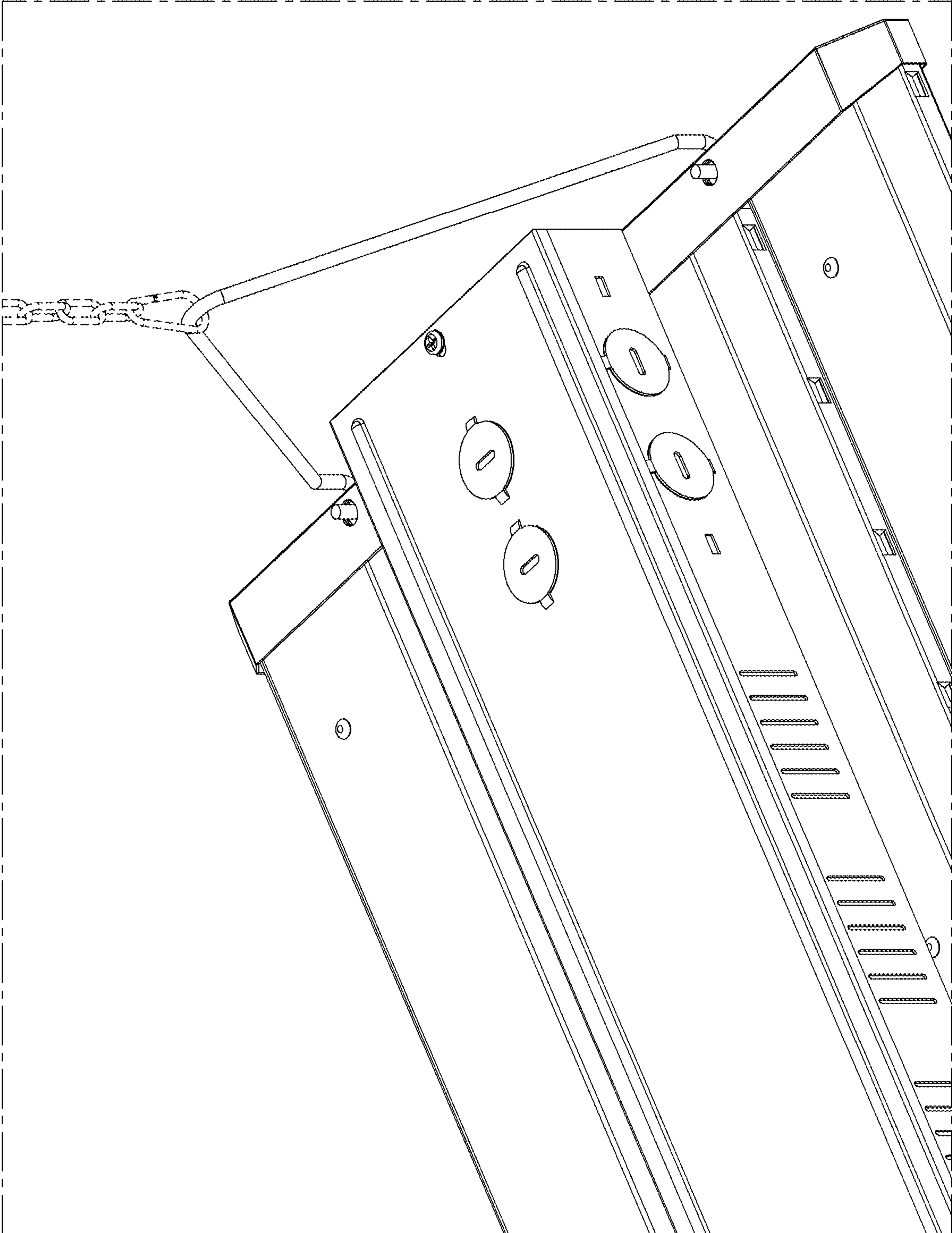
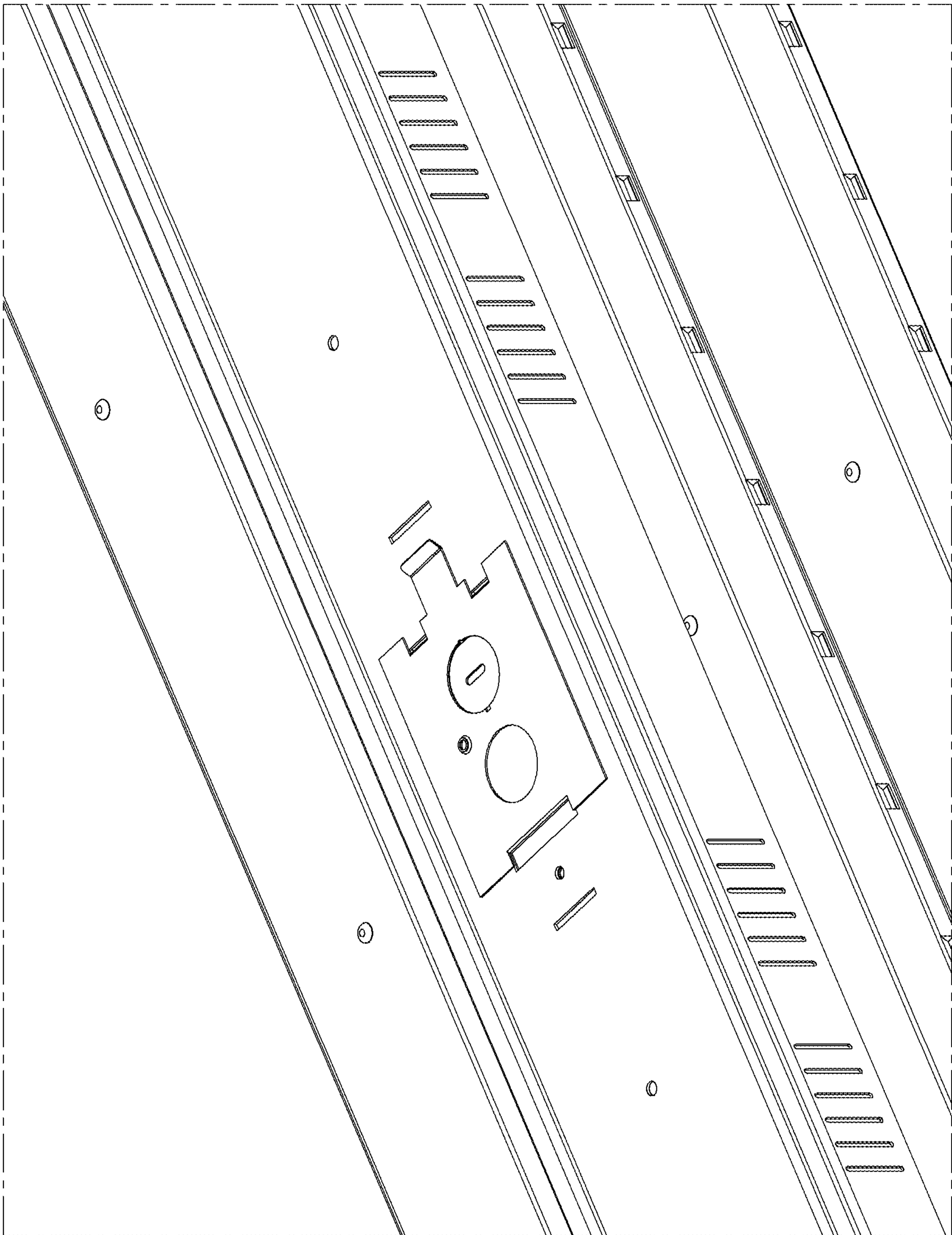


FIG. 39



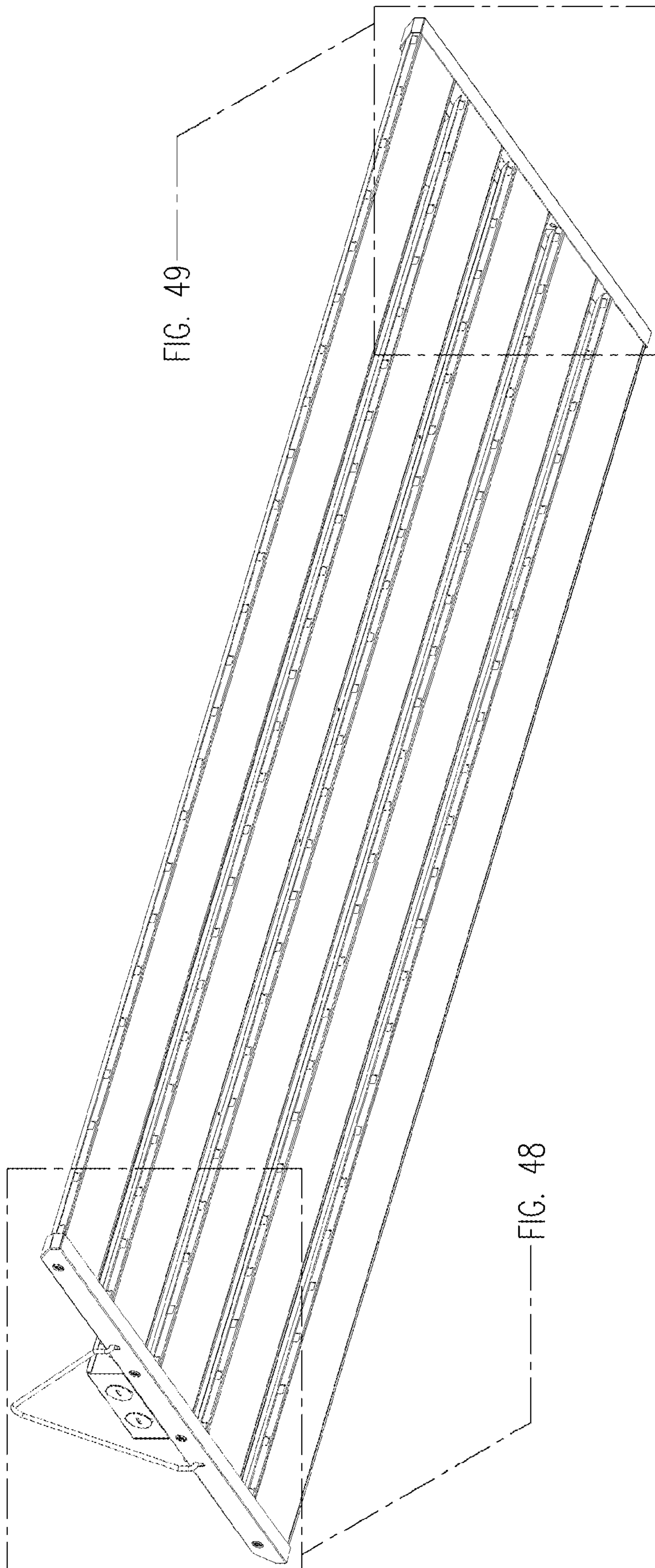


FIG. 40

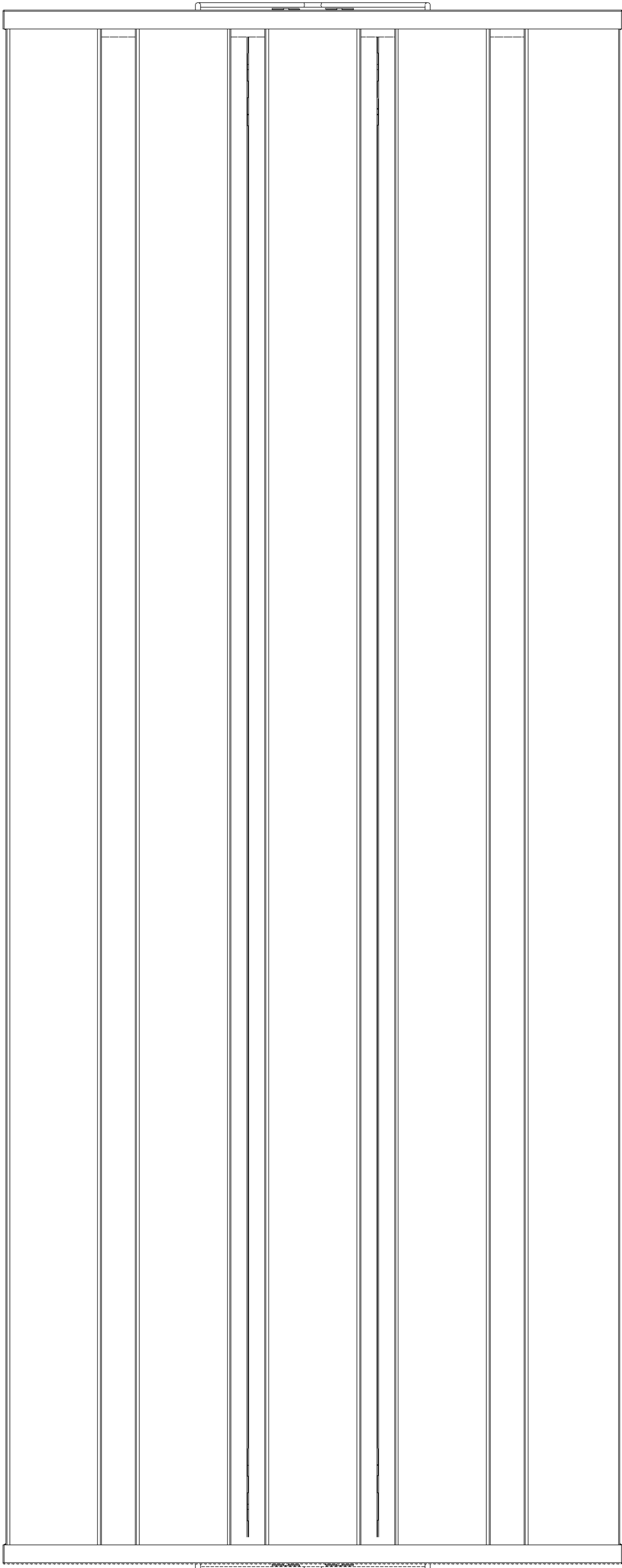


FIG. 41

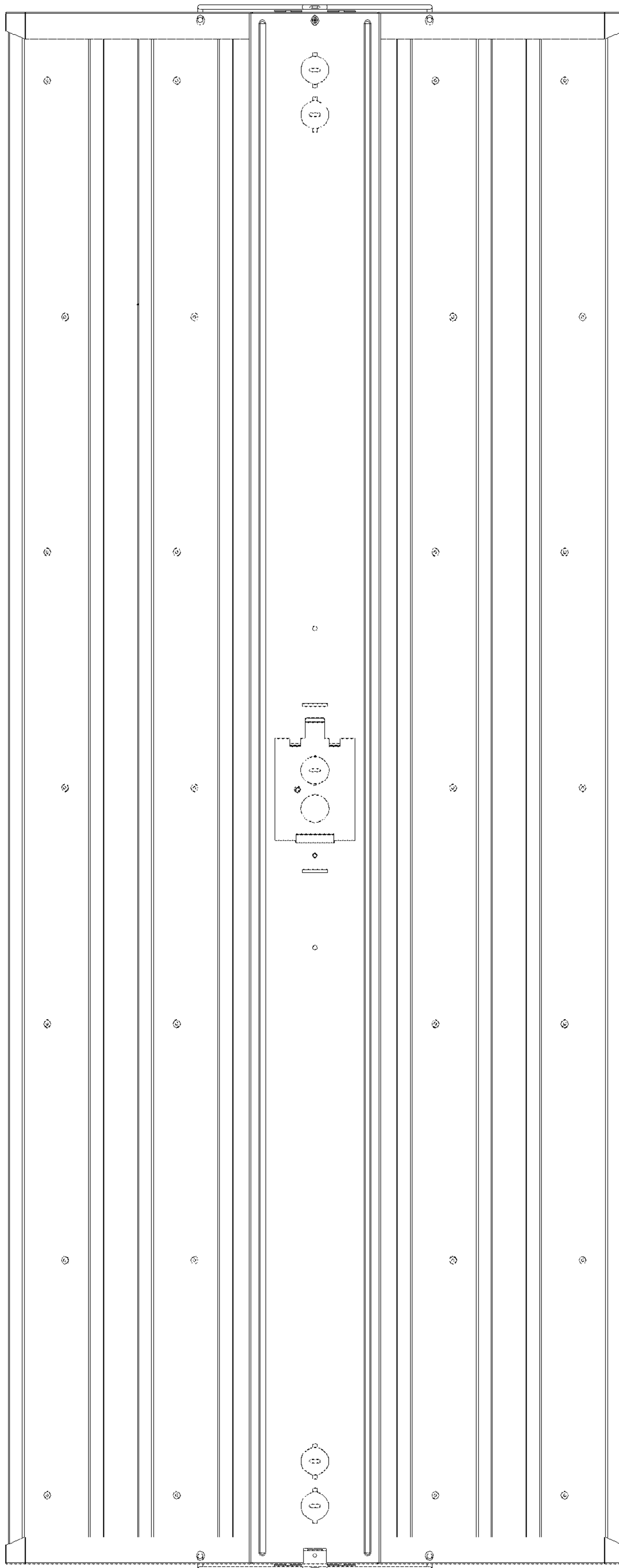


FIG. 42

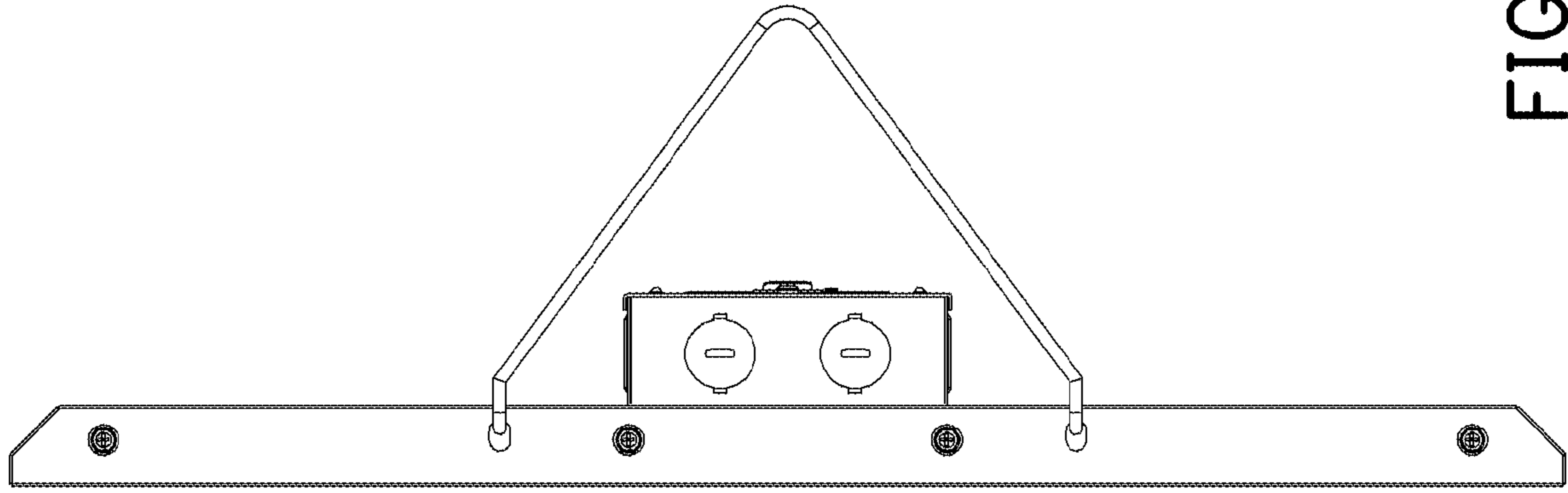


FIG. 44

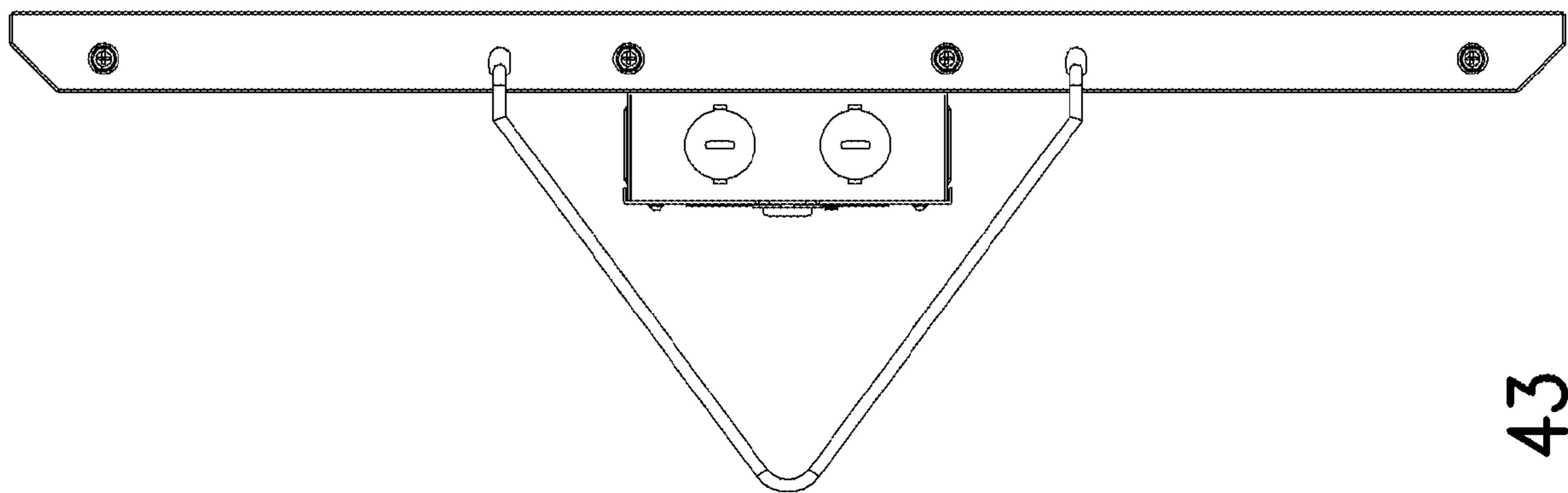


FIG. 43

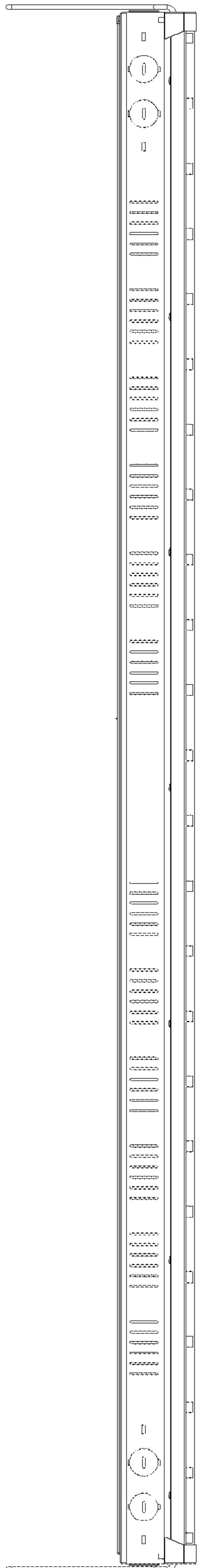


FIG. 45

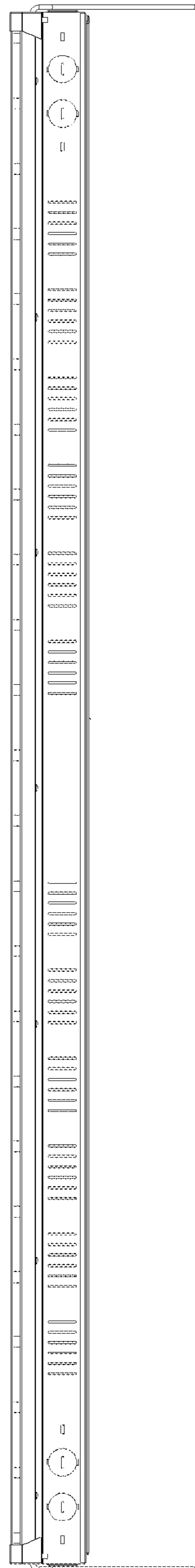


FIG. 46

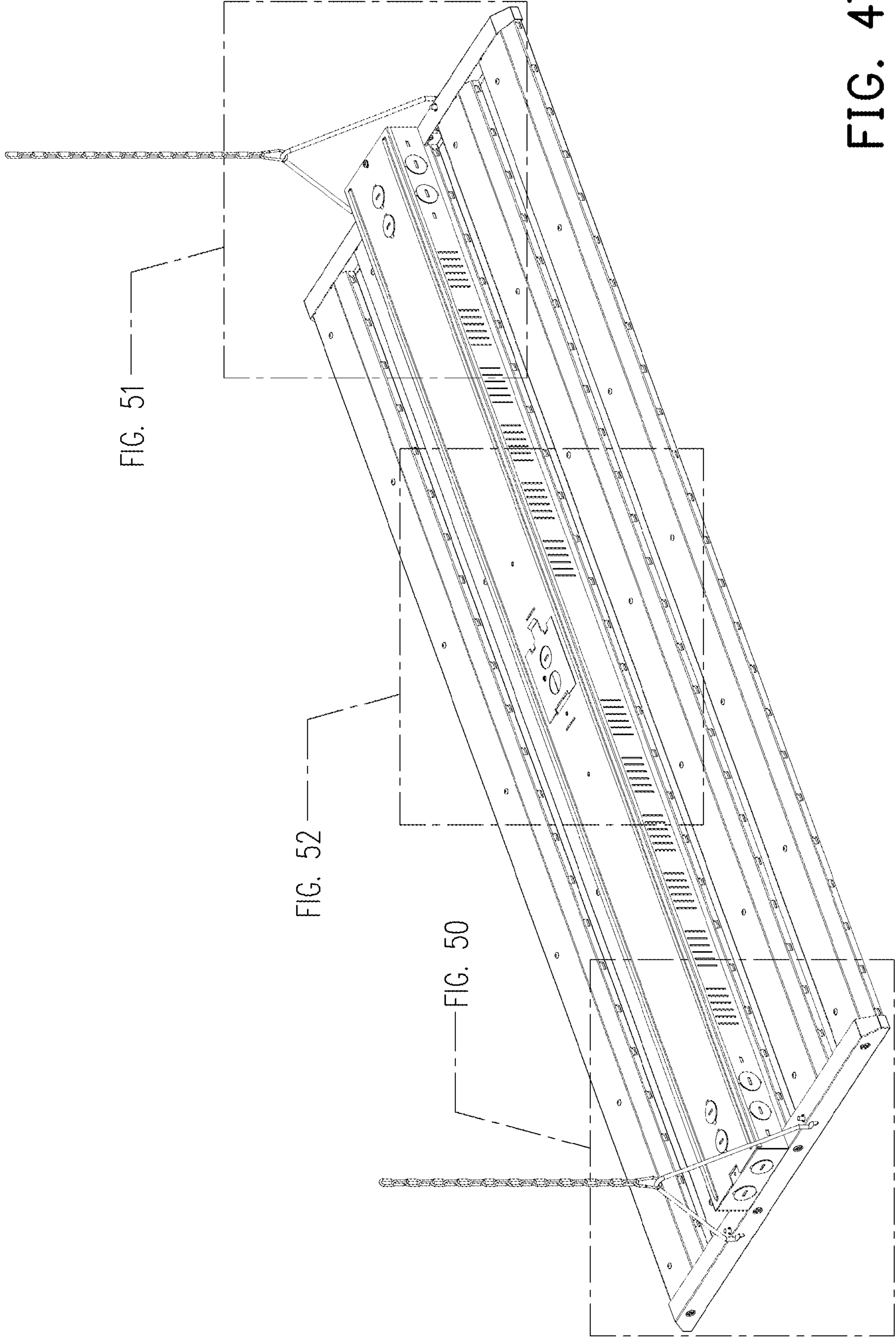


FIG. 47

FIG. 48

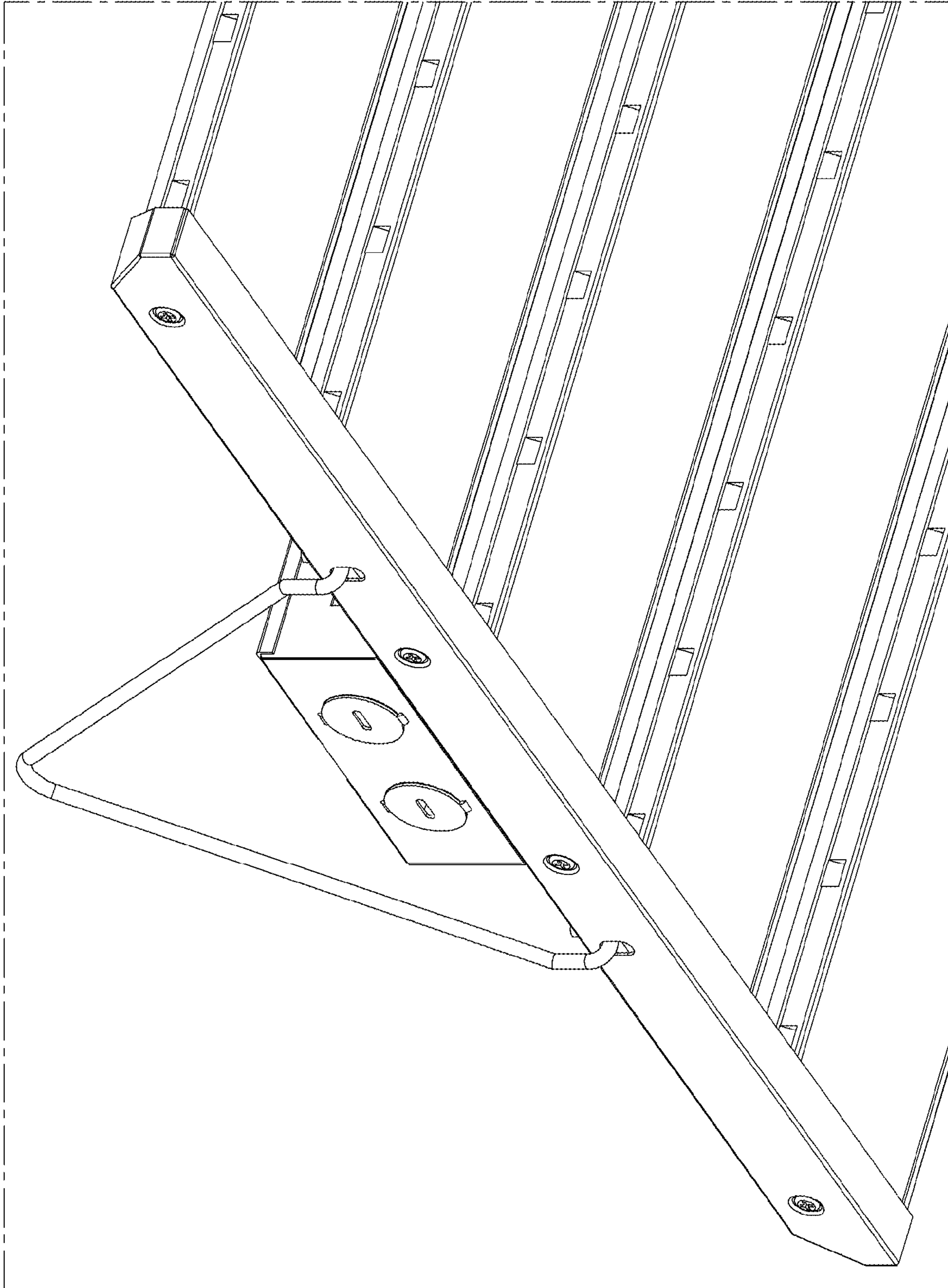


FIG. 49

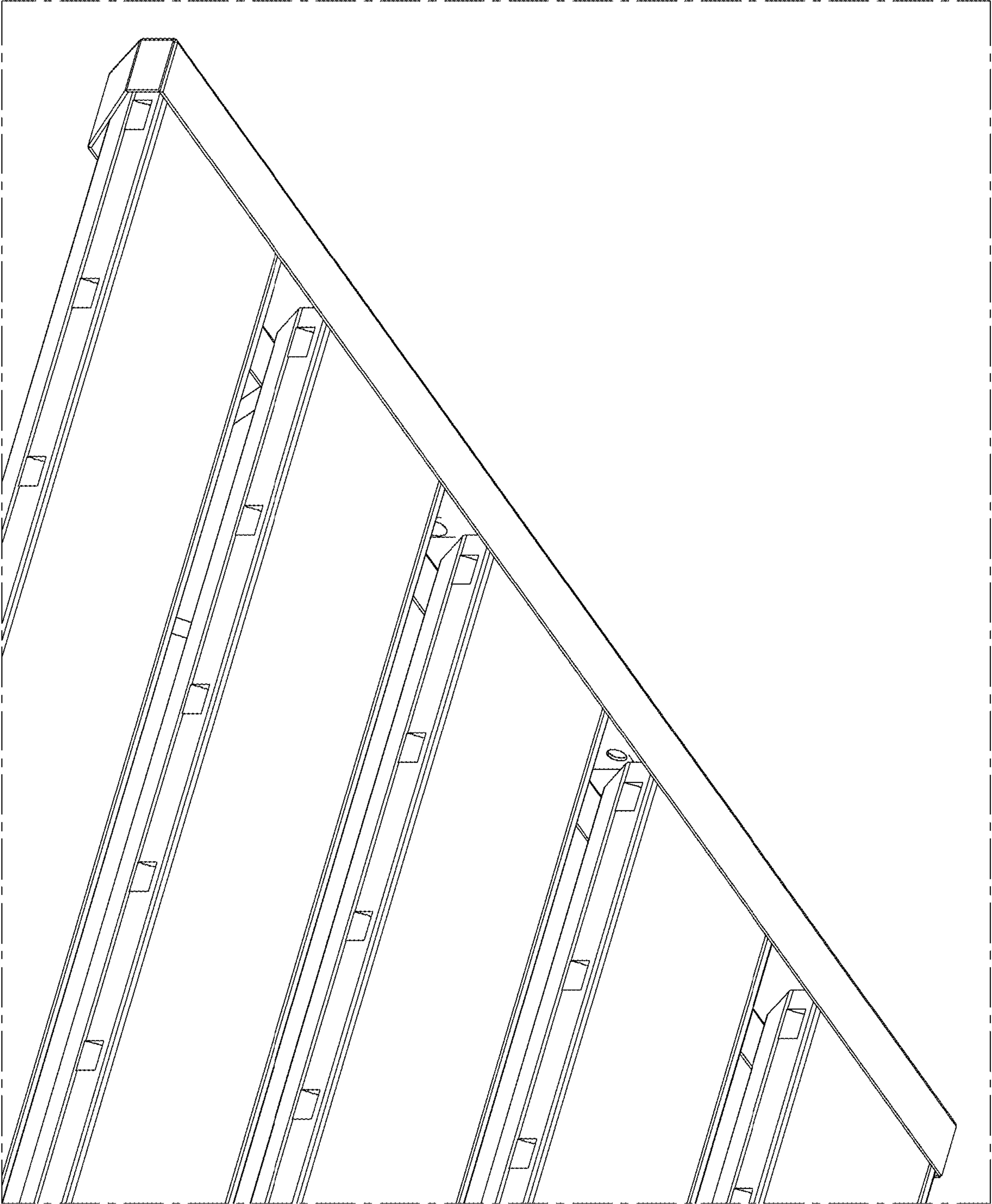


FIG. 50

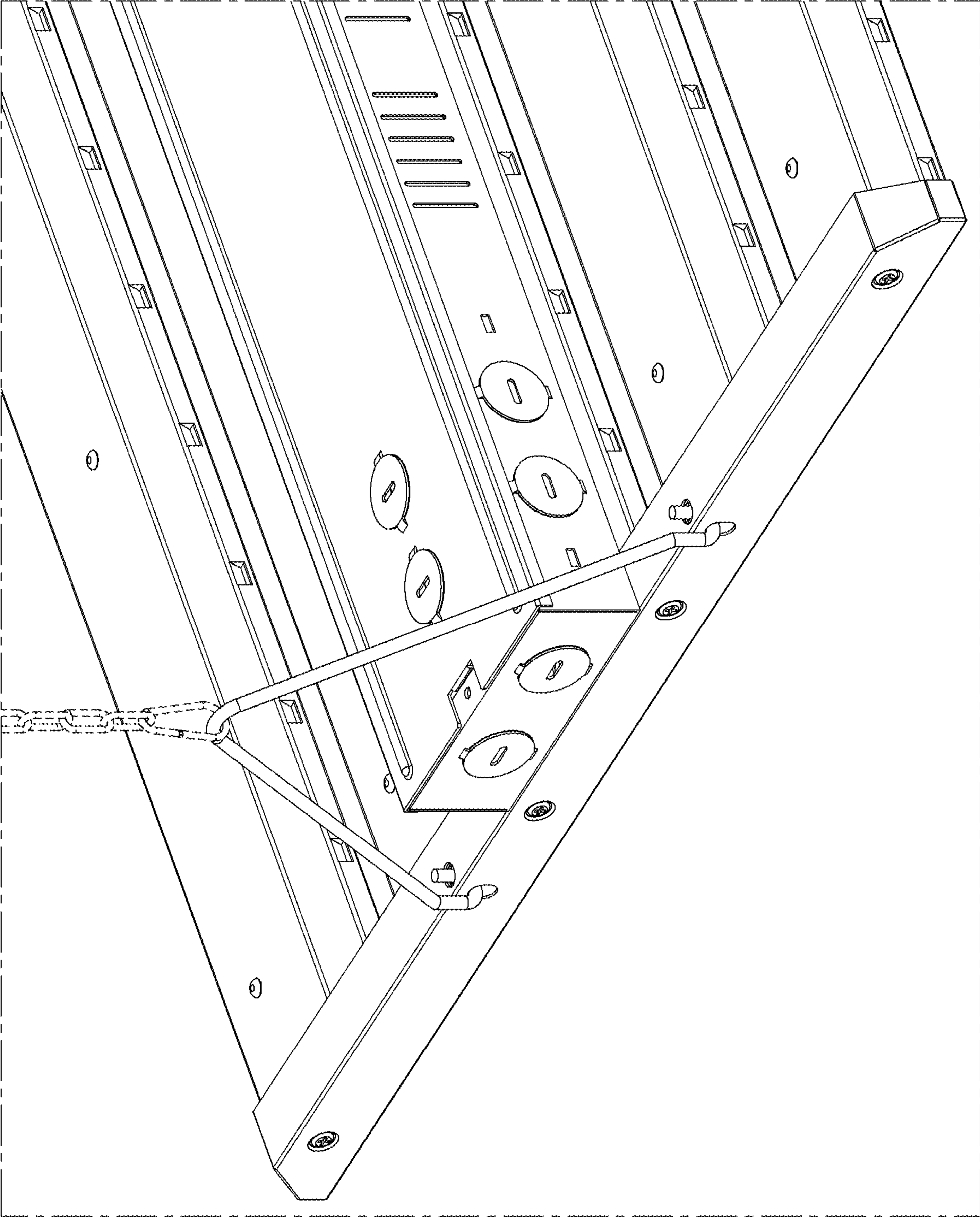


FIG. 51

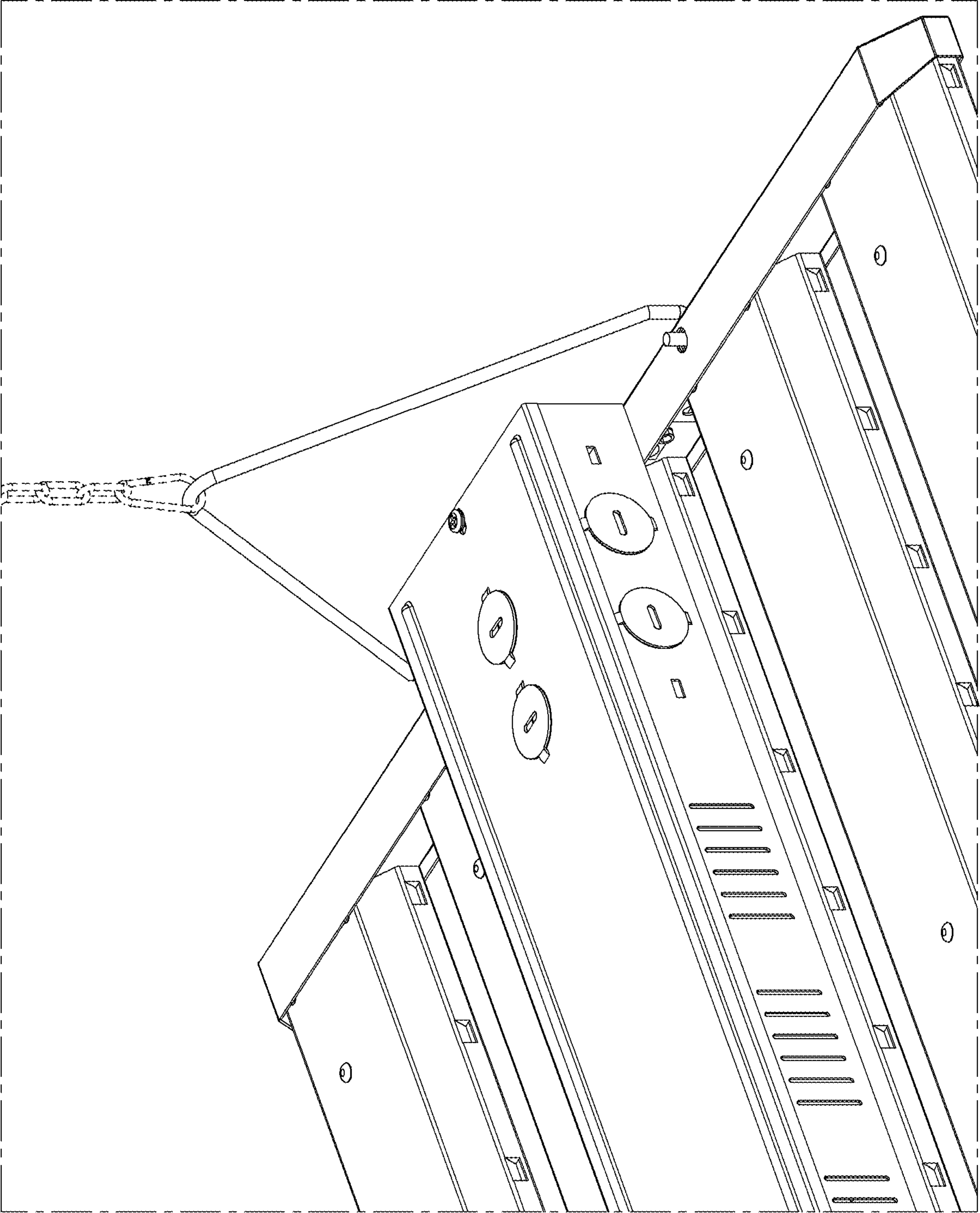
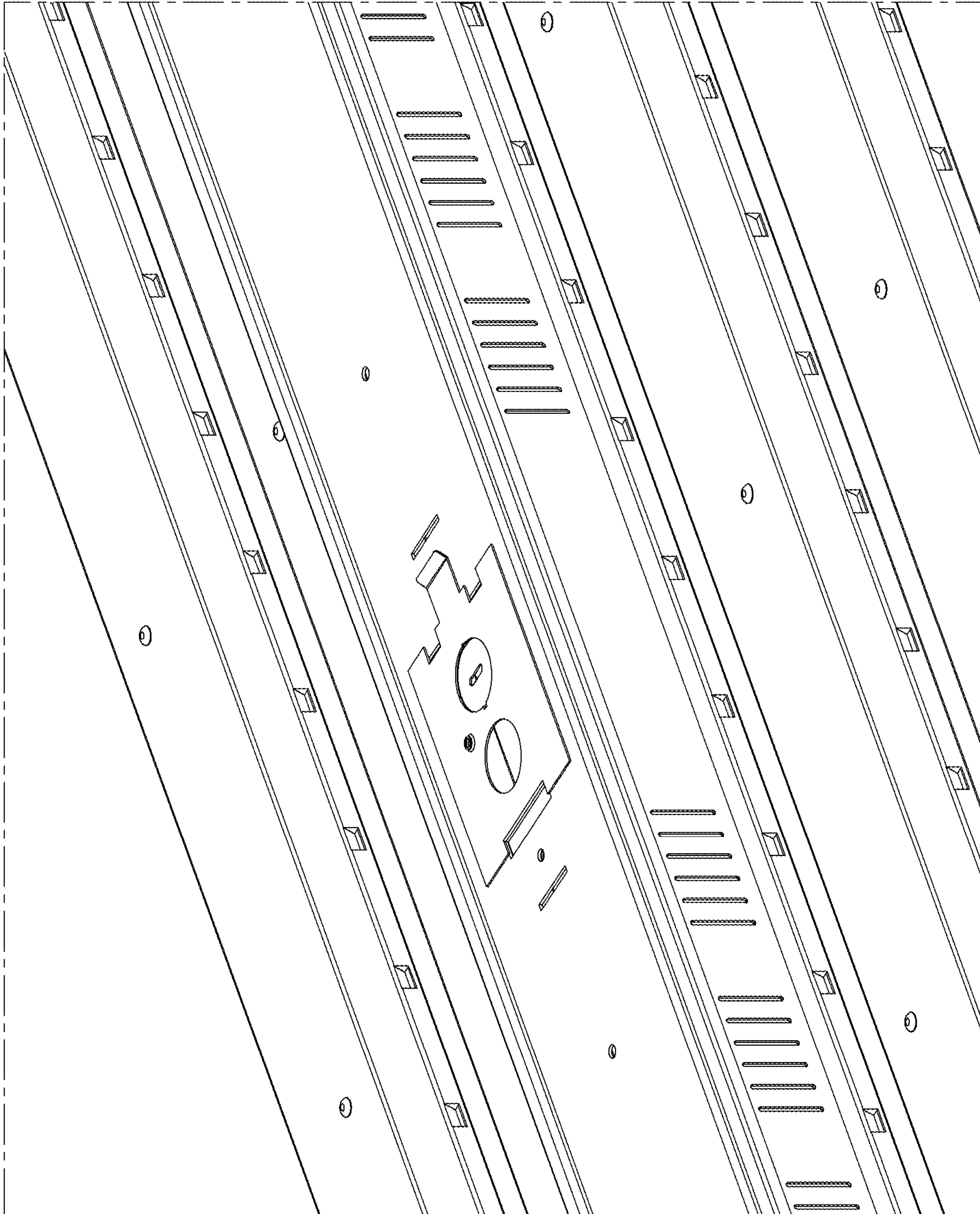


FIG. 52



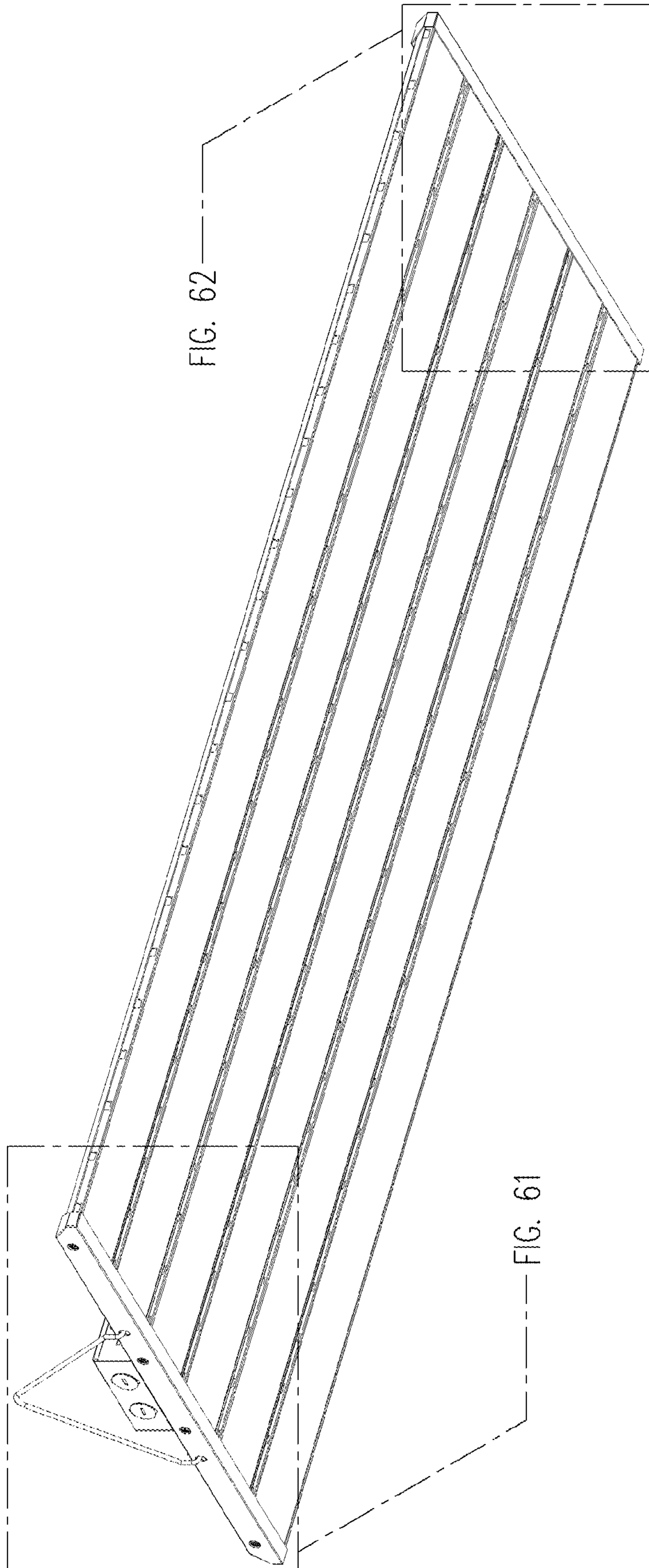


FIG. 53

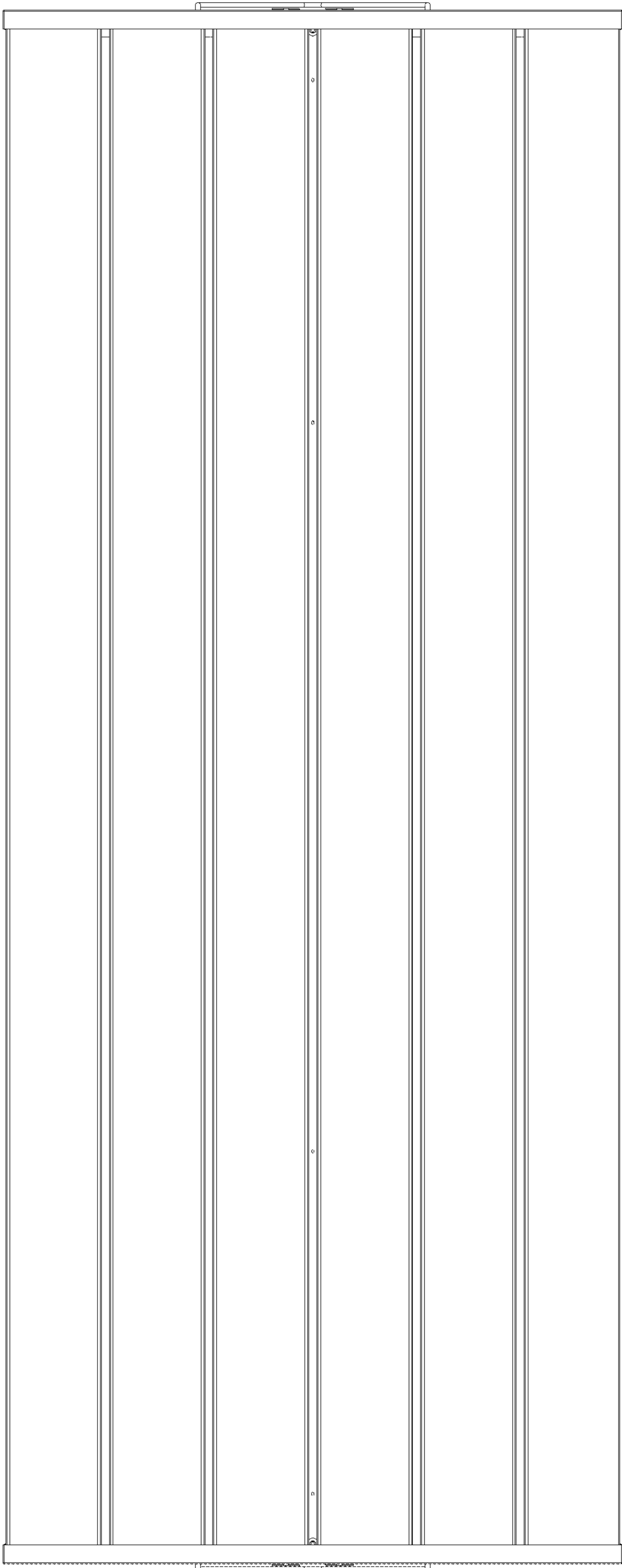


FIG. 54

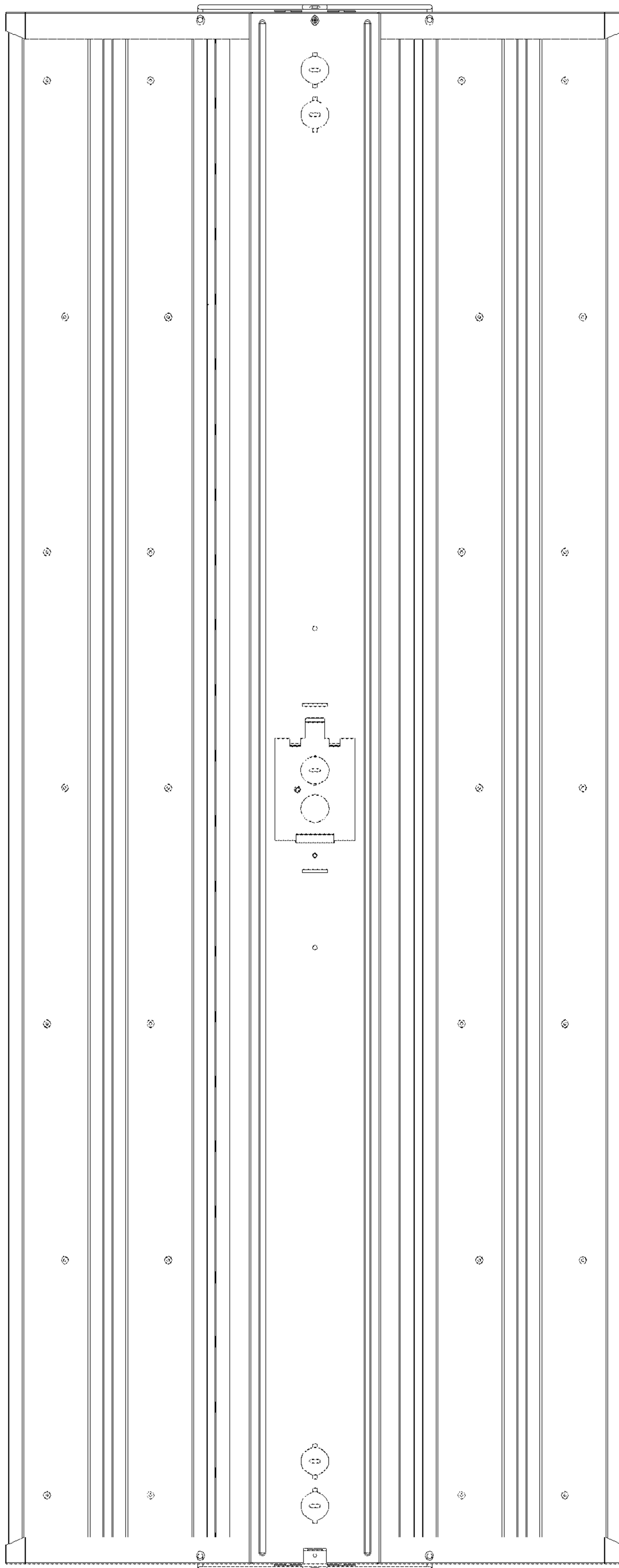


FIG. 55

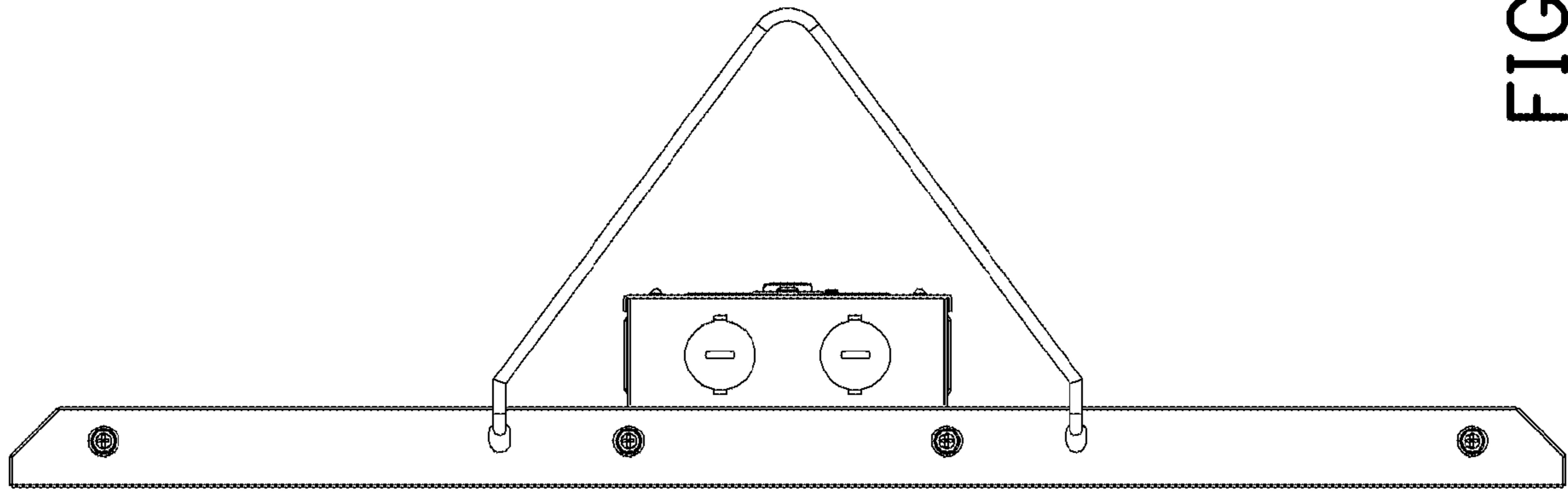


FIG. 57

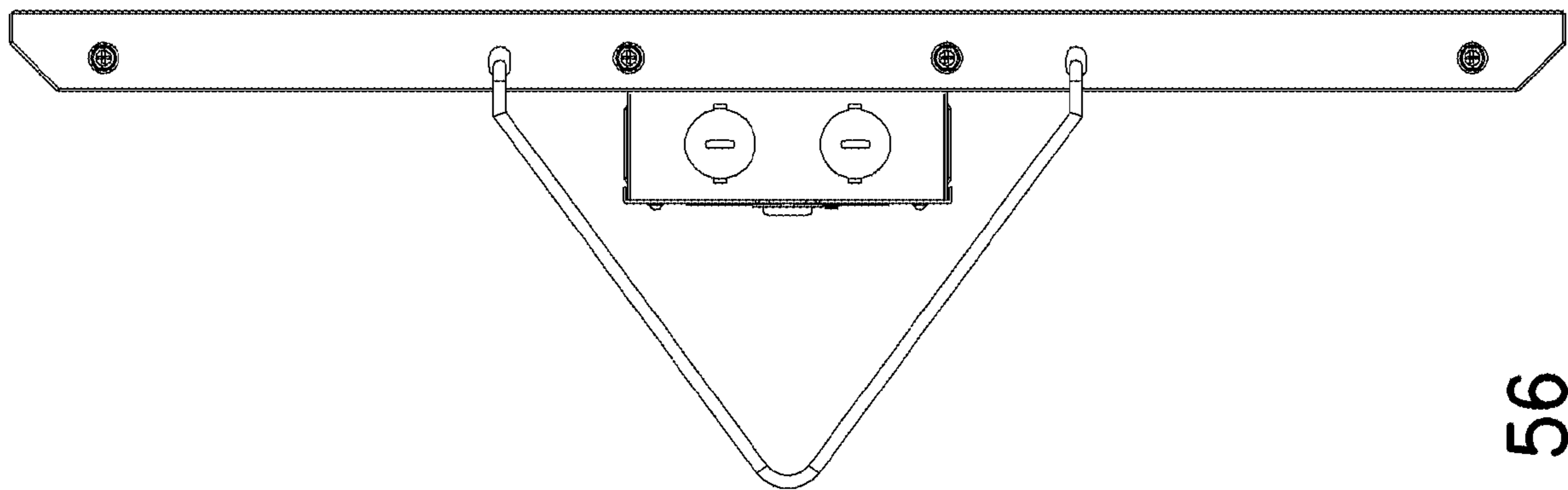


FIG. 56

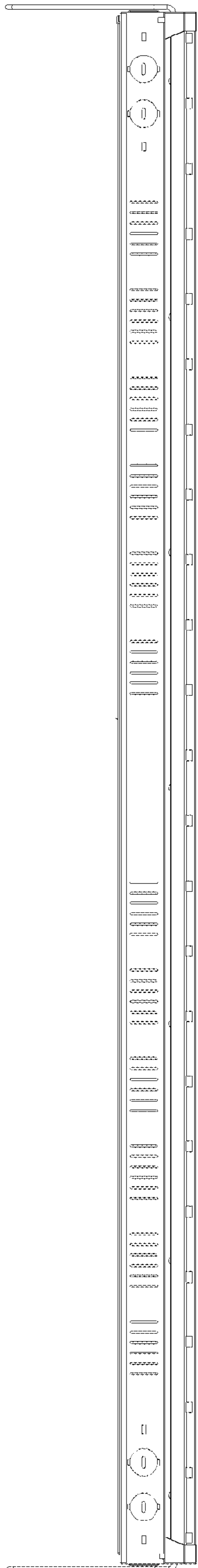


FIG. 58

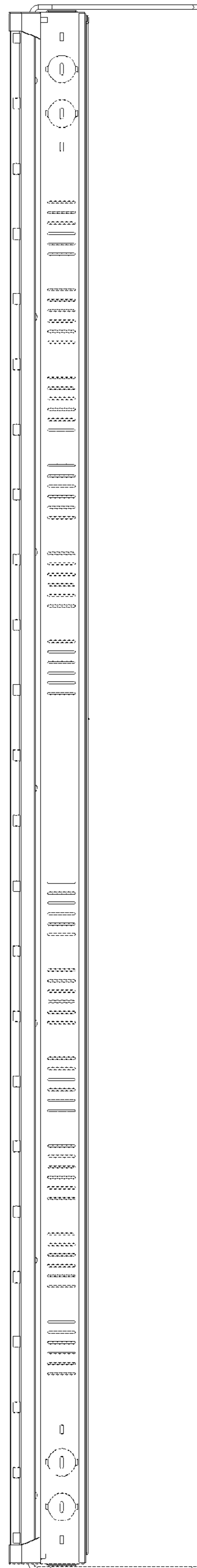


FIG. 59

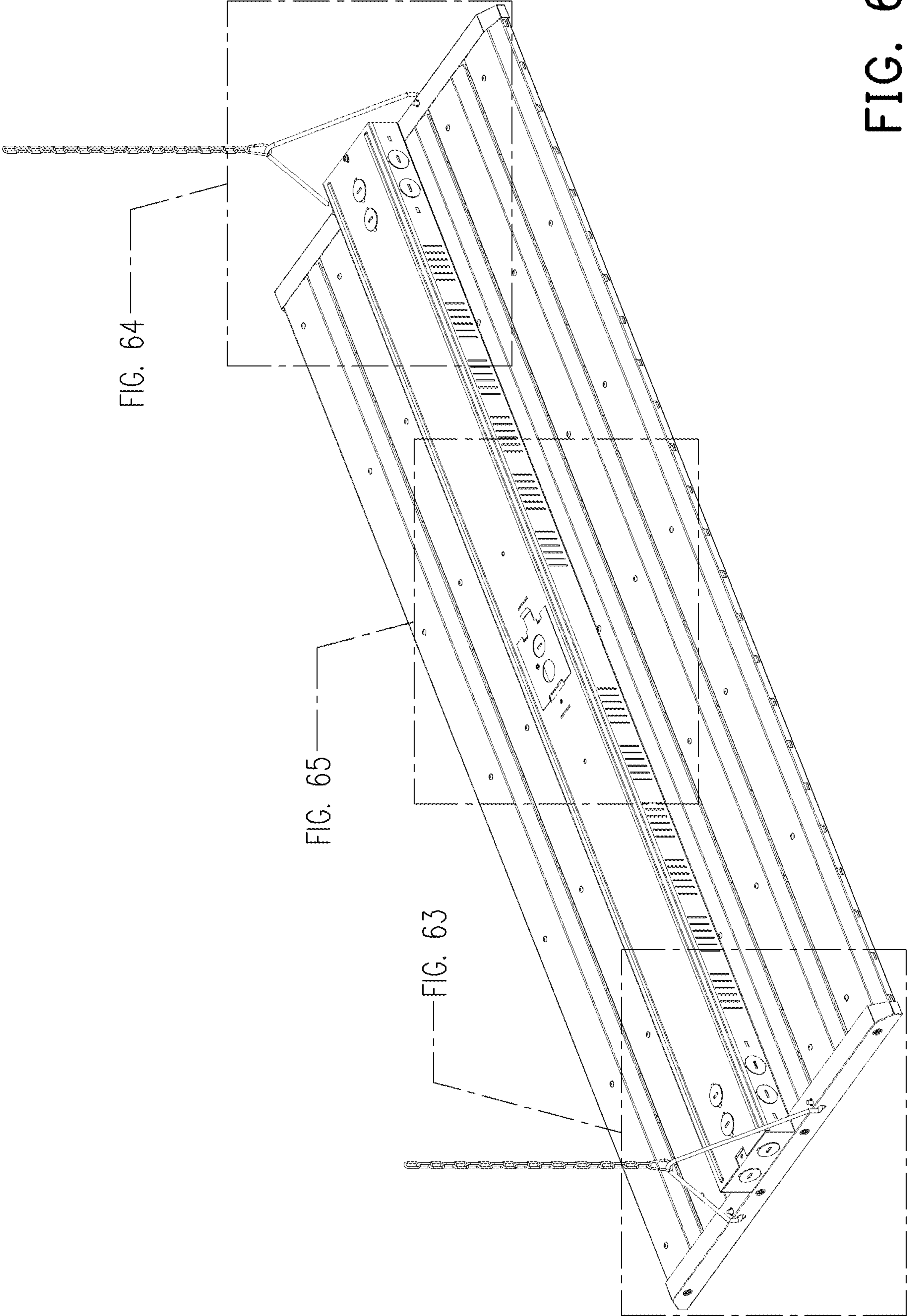


FIG. 60

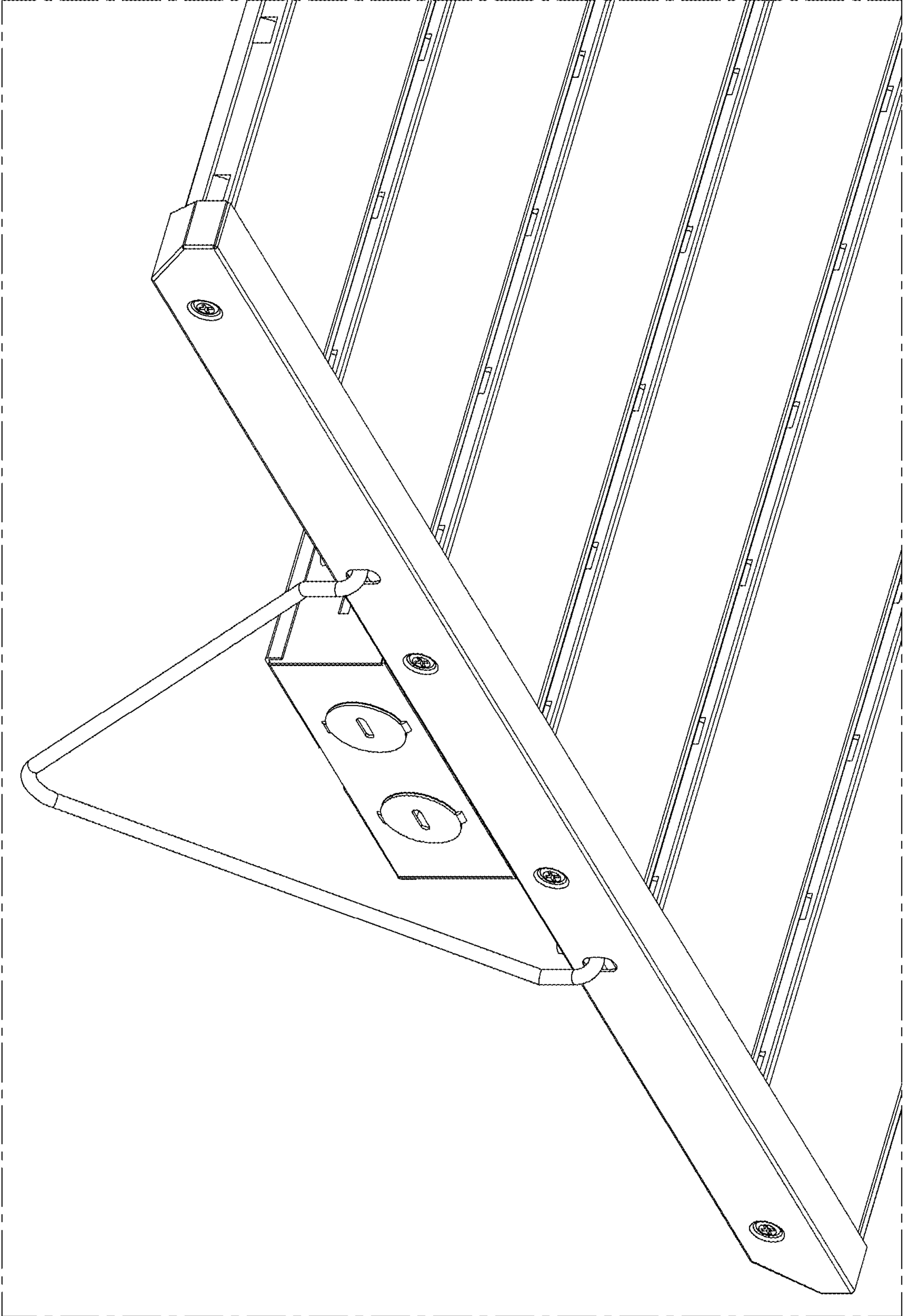


FIG. 61

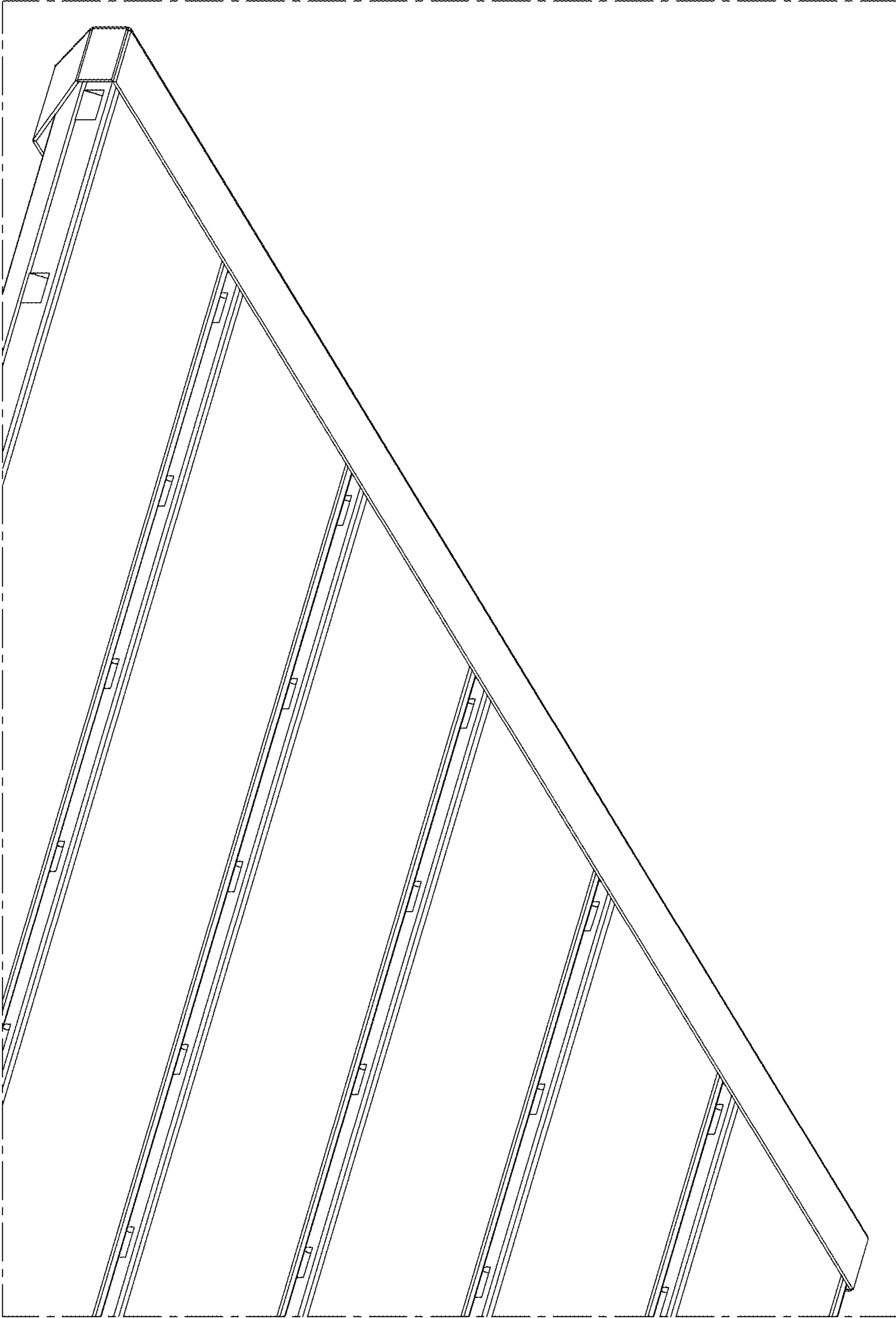


FIG. 62

FIG. 63

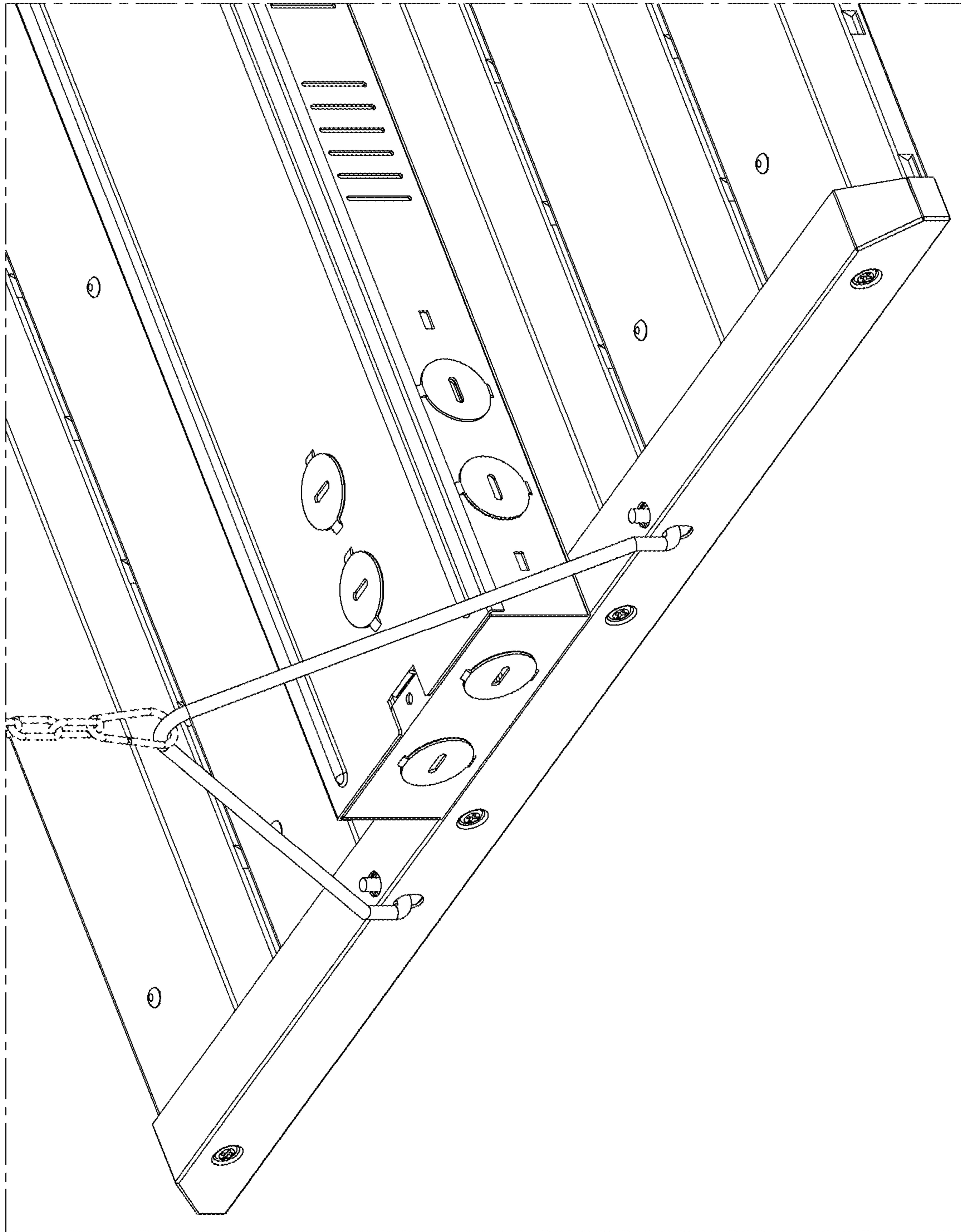


FIG. 64

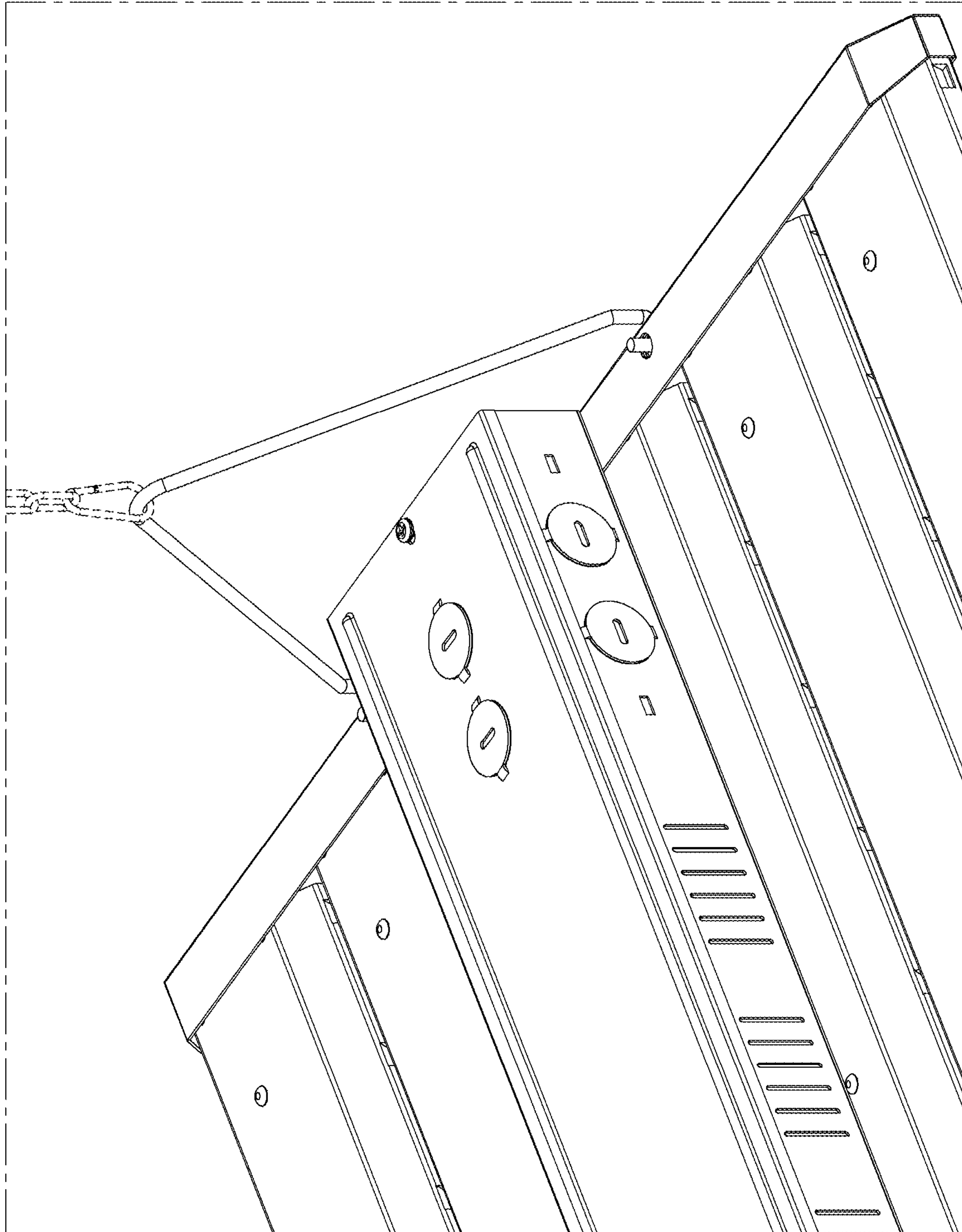


FIG. 65

