



US00D919155S

(12) **United States Design Patent** (10) **Patent No.:** **US D919,155 S**
Luo (45) **Date of Patent:** **** May 11, 2021**

(54) **SOLAR LANTERN**

(71) Applicant: **Xiaofeng Luo**, Shenzhen (CN)

(72) Inventor: **Xiaofeng Luo**, Shenzhen (CN)

(**) Term: **15 Years**

(21) Appl. No.: **29/767,577**

(22) Filed: **Jan. 23, 2021**

(51) **LOC (13) Cl.** **26-05**

(52) **U.S. Cl.**

USPC **D26/67; D26/85**

(58) **Field of Classification Search**

USPC D26/40, 41, 67-70, 72, 85

CPC F21S 8/03; F21S 8/033; F21S 8/036; F21S

8/081; F21W 2111/02; F21W 2111/023;

F21W 2131/109

See application file for complete search history.

(56) **References Cited**

U.S. PATENT DOCUMENTS

D265,001 S *	6/1982	Graham	D26/104
D469,203 S *	1/2003	DiPasquale	D26/67
D500,157 S *	12/2004	Chen	D26/67
D542,965 S *	5/2007	Layne	D26/128
D574,534 S *	8/2008	Lastimoso	D26/67
D694,932 S *	12/2013	Meyer	D26/67
D785,223 S *	4/2017	Patton	D26/67
D843,038 S *	3/2019	Vyvey	D26/40
D882,145 S	4/2020	Mai		
D892,381 S	8/2020	Lin		
D897,016 S *	9/2020	Browning	D26/40
10,823,394 B1 *	11/2020	Hsu	F21L 4/00
2019/0203890 A1 *	7/2019	Moore	F21V 33/0056

OTHER PUBLICATIONS

Large Outdoor Solar Lantern ASIN:B08CL1BM7B available from the LampLust Store at amazon.com on Jul. 8, 2020. (Year: 2020).*

LAMPLUST Navy Solar Candle Lanterns, available at walmart.com, visited Mar. 22, 2021. (Year: 2021).*

Roam Solar LED Lantern by Les Jardins, available at lumens.com as early as Dec. 23, 2020. (Year: 2020).*

Tapered Metal Lantern with LED Candle Model #90801 by LUMABASE, available at homedepot.com as early as Aug. 2, 2016. (Year: 2016).*

* cited by examiner

Primary Examiner — Clare E Heflin

(57) **CLAIM**

The ornamental design for a solar lantern, as shown and described.

DESCRIPTION

FIG. 1 is a perspective view of a solar lantern showing my new design;

FIG. 2 is a front view thereof;

FIG. 3 is a rear view thereof;

FIG. 4 is a left side view thereof;

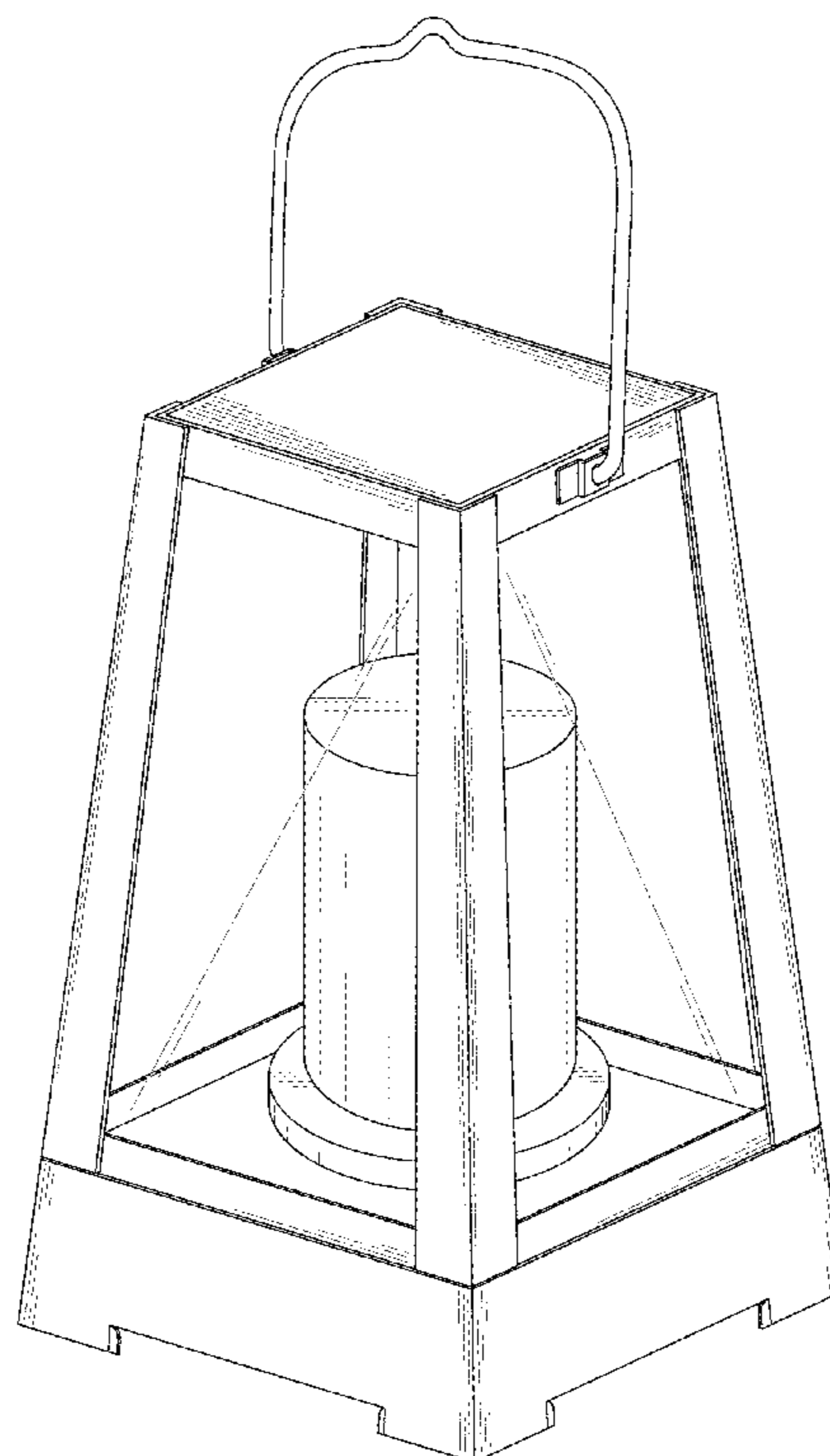
FIG. 5 is a right side view thereof;

FIG. 6 is a top plan view thereof; and,

FIG. 7 is a bottom plan view thereof.

The broken lines in the figures illustrate portions of the solar lantern that form no part of the claimed design.

1 Claim, 7 Drawing Sheets



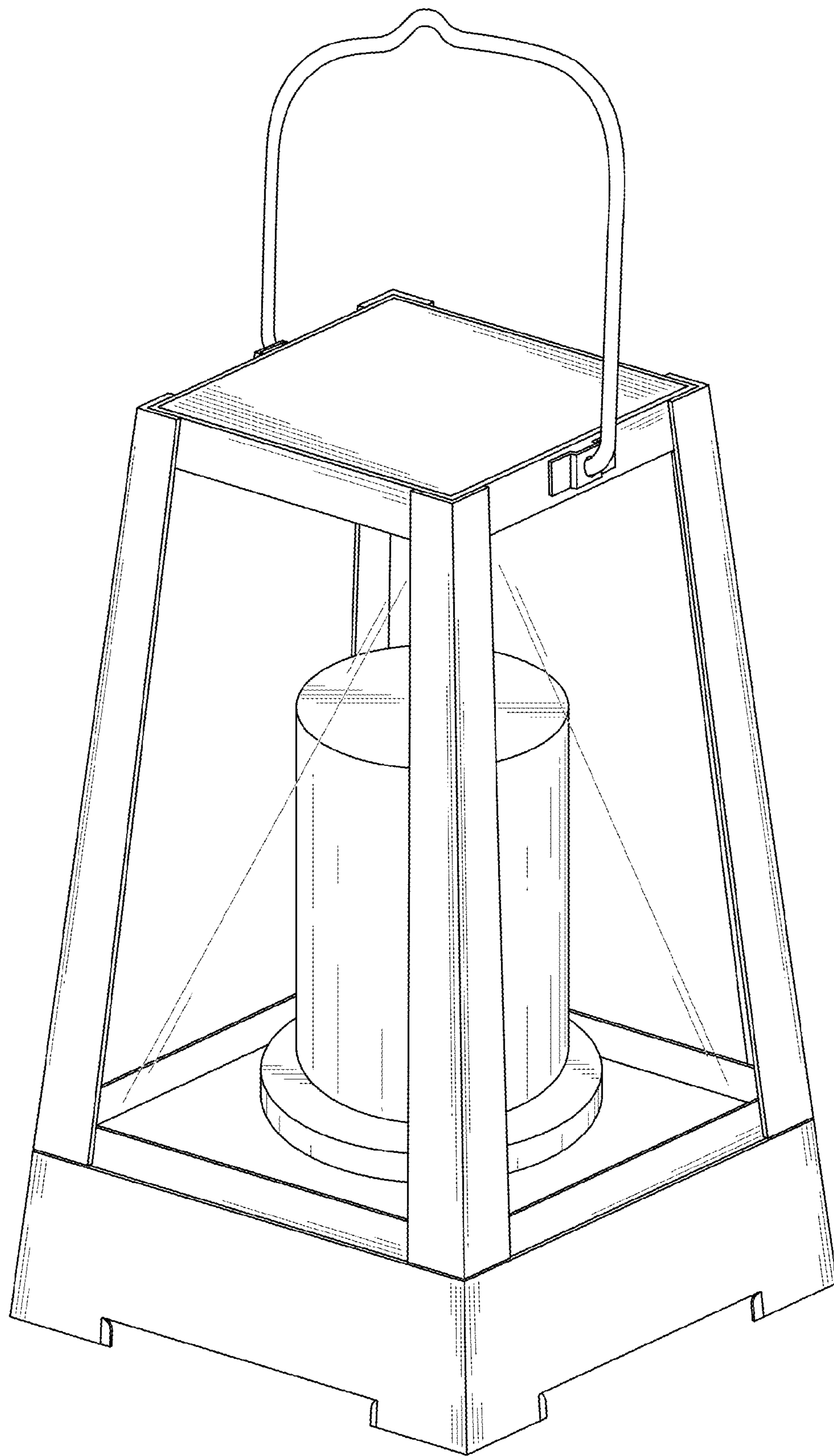


FIG. 1

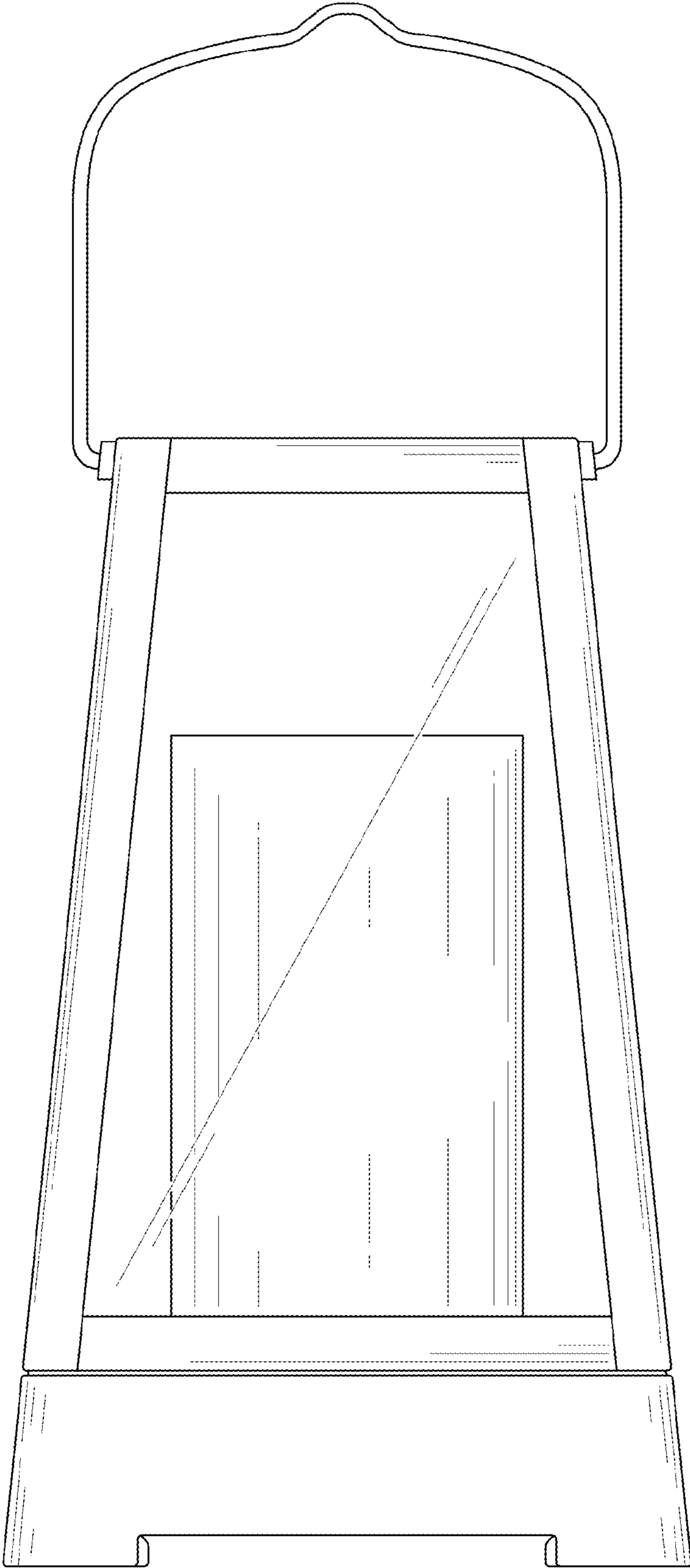


FIG. 2

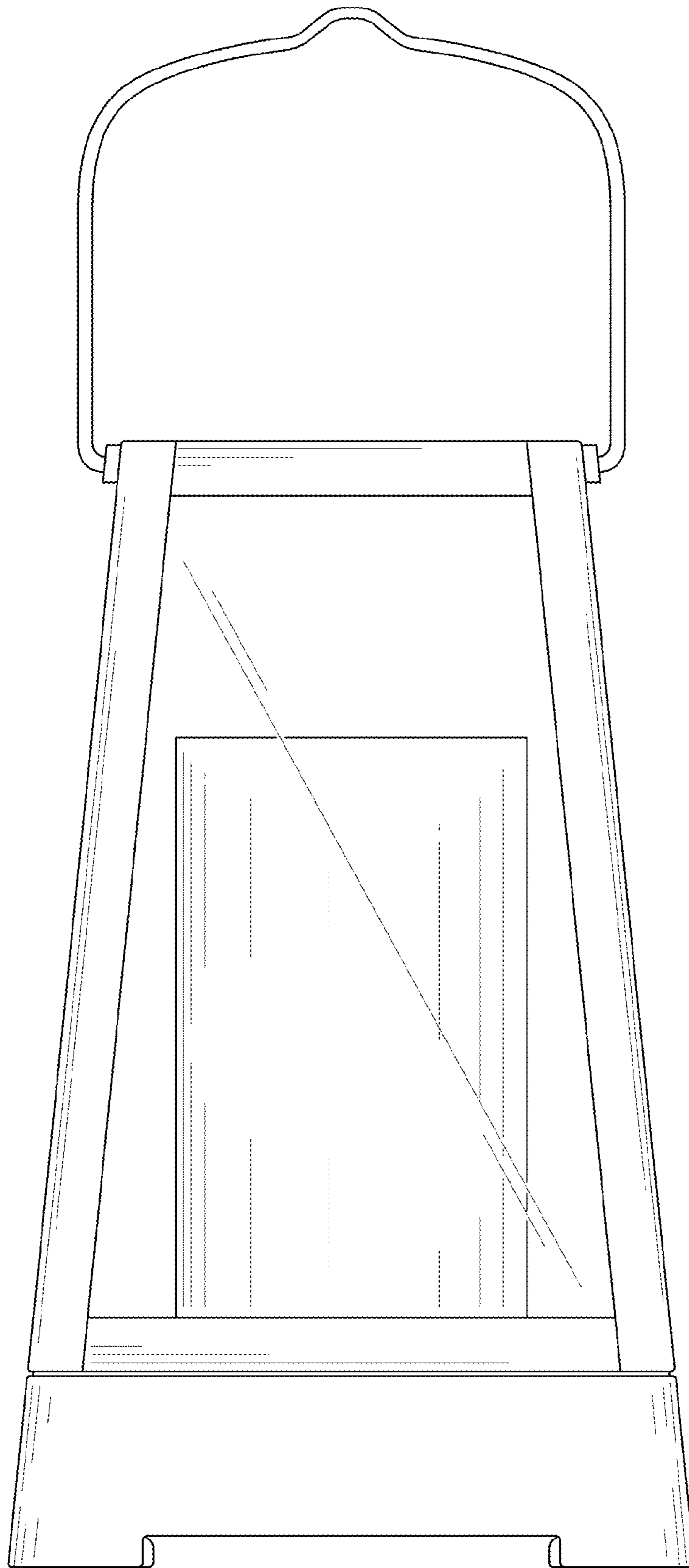


FIG. 3

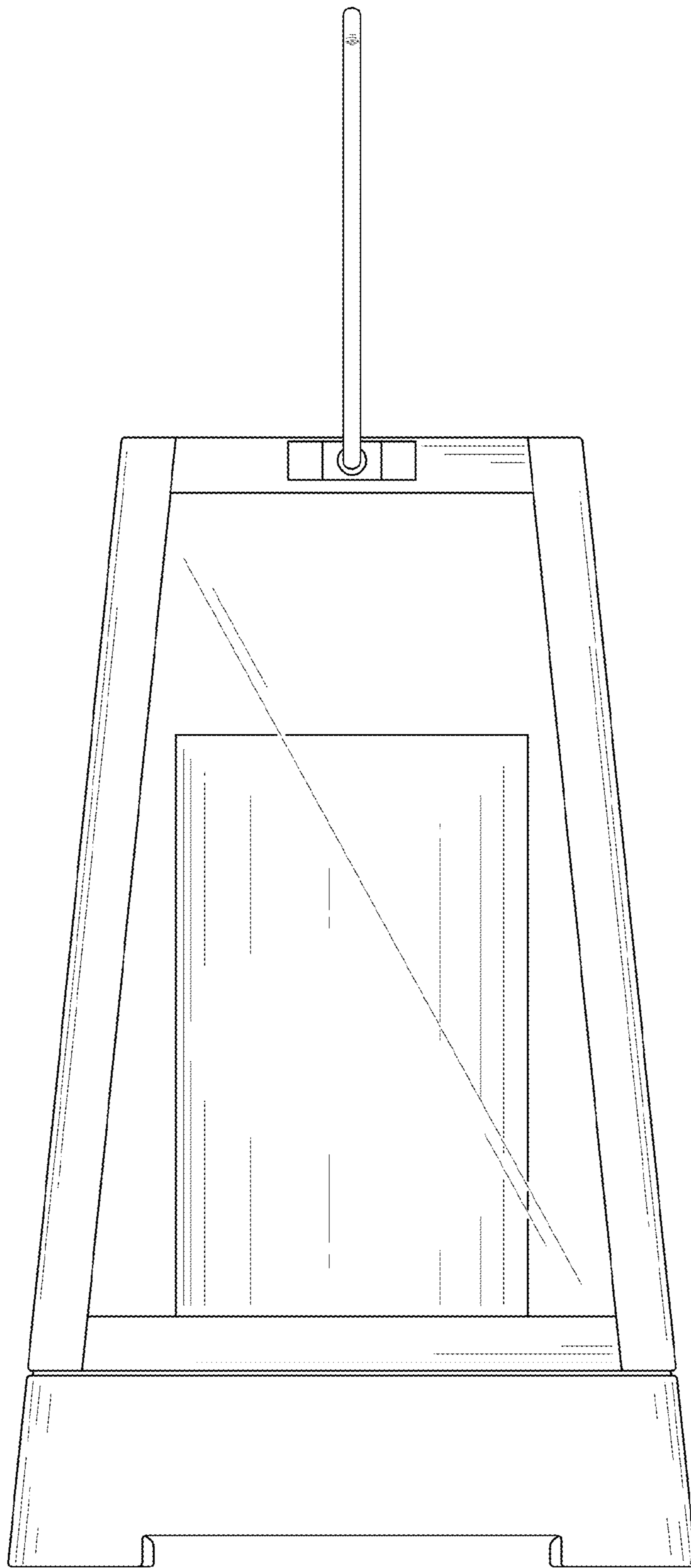


FIG. 4

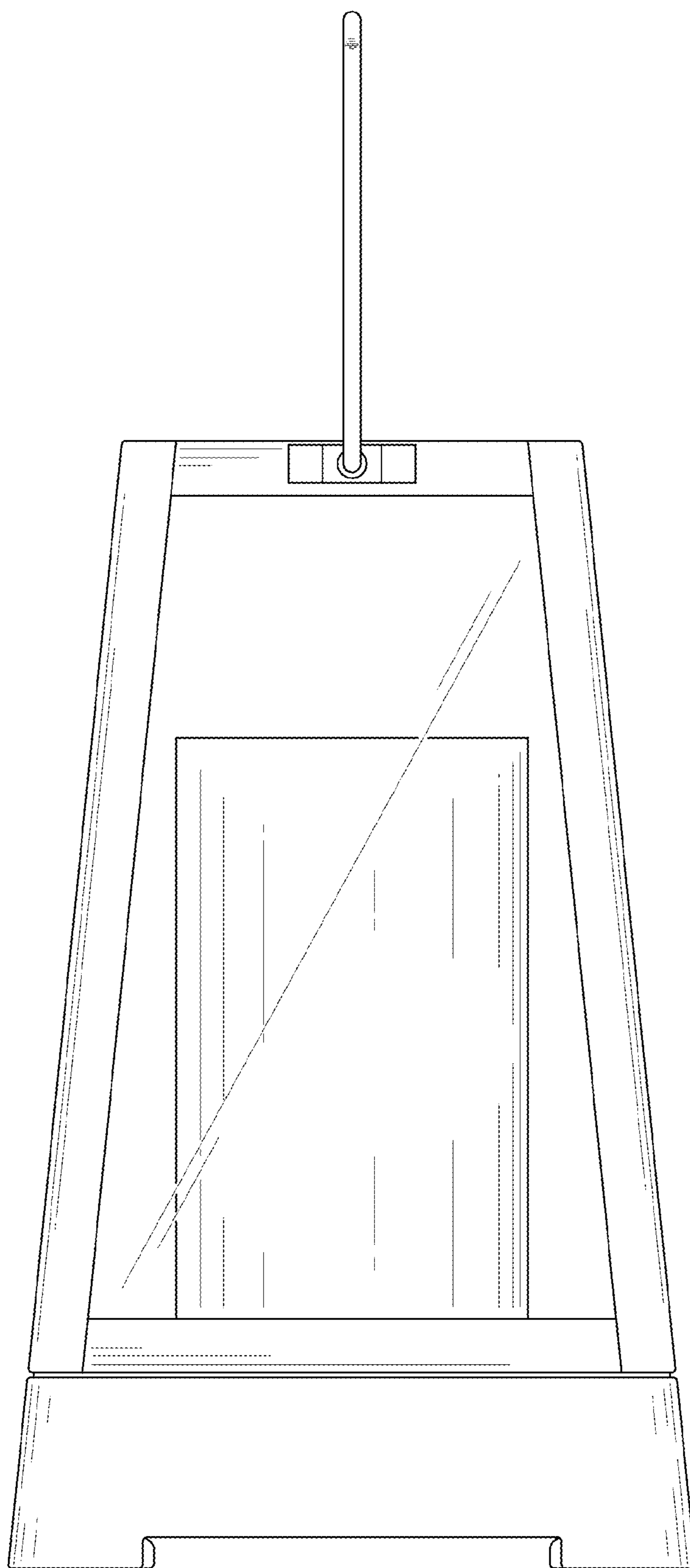


FIG. 5

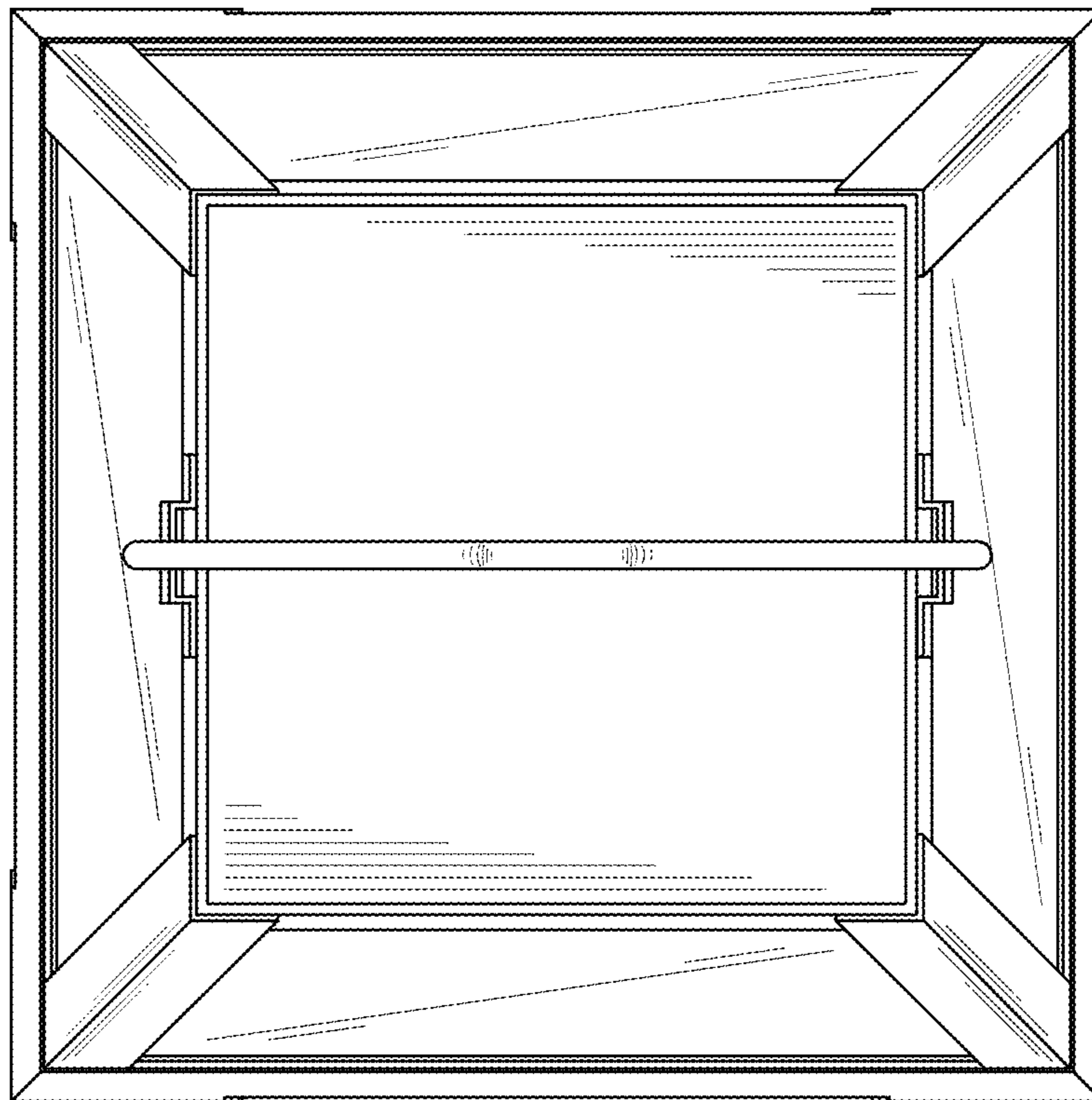


FIG. 6

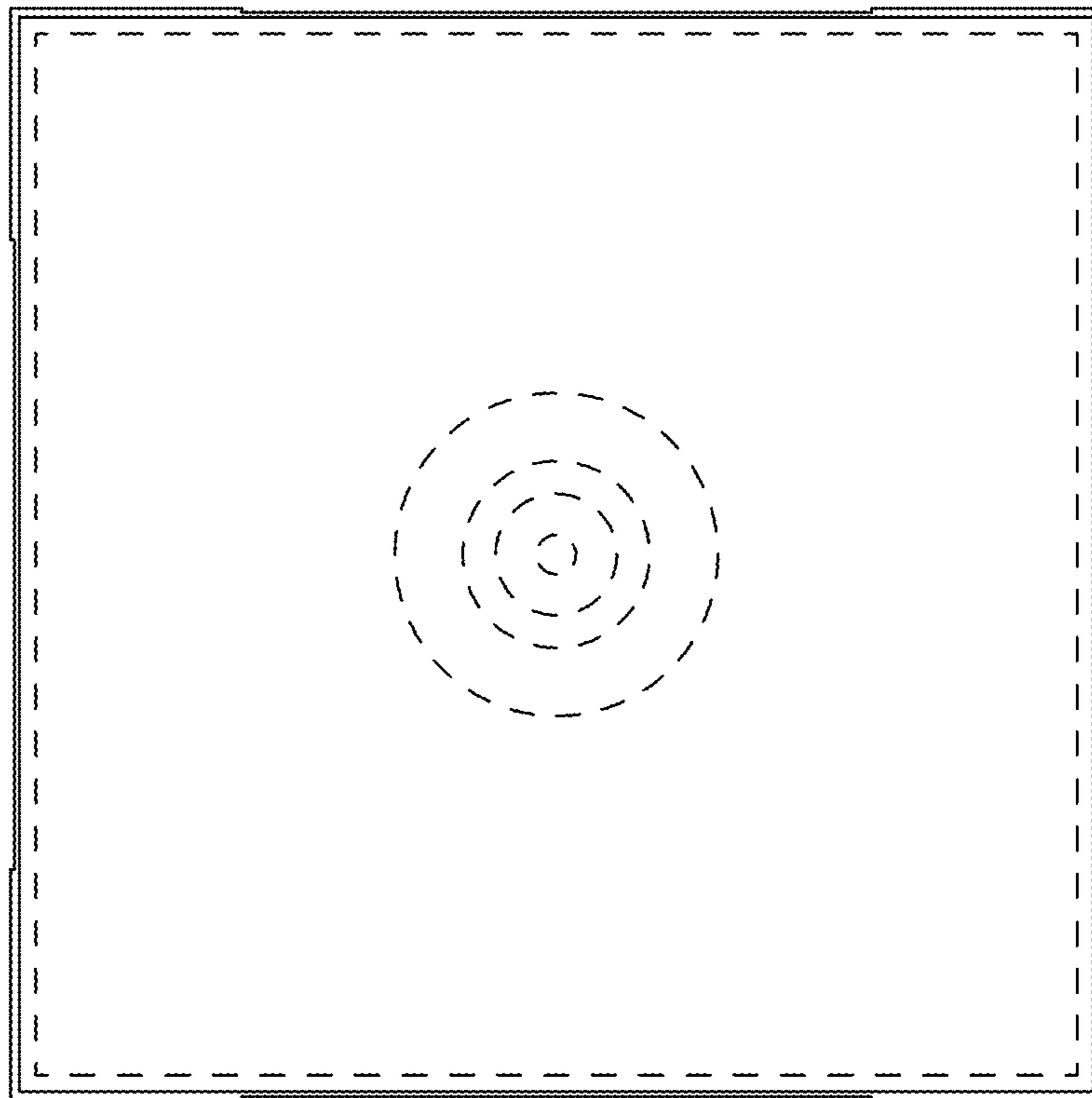


FIG. 7