



US00D919153S

(12) **United States Design Patent** (10) **Patent No.:** **US D919,153 S**  
**Huang** (45) **Date of Patent:** **\*\* May 11, 2021**

- (54) **LED PROJECTOR LIGHT**
- (71) Applicant: **SHENZHEN JUERUI INDUSTRIAL CO., LTD.**, Shenzhen (CN)
- (72) Inventor: **Rong Huang**, Shenzhen (CN)
- (73) Assignee: **Shenzhen Juerui Industrial Co., Ltd.**, Shenzhen (CN)
- (\*\*) Term: **15 Years**
- (21) Appl. No.: **29/738,685**
- (22) Filed: **Jun. 18, 2020**
- (51) **LOC (13) Cl.** ..... **26-05**
- (52) **U.S. Cl.**  
USPC ..... **D26/63**
- (58) **Field of Classification Search**  
USPC ..... D26/63, 67  
CPC ..... F21S 8/032; F21S 10/007; F21S 10/02;  
F21S 6/004; F21V 21/30; F21W  
2121/008; F21W 2121/006  
See application file for complete search history.

(56) **References Cited**

**U.S. PATENT DOCUMENTS**

D173,139 S	*	10/1954	Black	.....	D26/138
D335,193 S	*	4/1993	Shaanan	.....	D26/63
D336,536 S	*	6/1993	Shaanan	.....	D26/140
D715,474 S		10/2014	Janos et al.		
D729,965 S	*	5/2015	Recker	.....	D26/63
D777,965 S	*	1/2017	Mirchandani	.....	D26/67
D810,983 S		2/2018	Waldmann		
D836,234 S	*	12/2018	Yang	.....	D26/63
D846,784 S	*	4/2019	Luo	.....	D26/63
D851,312 S		6/2019	Hwa et al.		
D855,231 S	*	7/2019	Huang	.....	D26/63
D882,142 S	*	4/2020	Huang	.....	D26/63

D890,974 S	*	7/2020	Huang	.....	D26/63
2011/0002122 A1	*	1/2011	Tsao	.....	F21V 21/30 362/277
2019/0132544 A1	*	5/2019	Xi	.....	H04N 9/3105
2019/0293249 A1	*	9/2019	Hamilton	.....	F21V 21/0824

**OTHER PUBLICATIONS**

Christmas Snowflake Projection Lights from the Yinuo Candle Store at amazon.com Jul. 13, 2020. (Year: 2020).\*

Dalanpa Star Sky Laser Projector Light by Kityall at amazon.com Oct. 25, 2018. (Year: 2018).\*

BlissLights Blue Laser Projector at amazon.com as early as Dec. 19, 2018. (Year: 2018).\*

\* cited by examiner

*Primary Examiner* — Clare E Heflin

(74) *Attorney, Agent, or Firm* — Arch & Lake LLP

(57) **CLAIM**

The ornamental design for a LED projector light, as shown and described.

**DESCRIPTION**

FIG. 1 is a front-right perspective view of a LED projector light.

FIG. 2 is a back-right perspective view of the LED projector light.

FIG. 3 is a right elevation view of the LED projector light.

FIG. 4 is a left elevation view of the LED projector light.

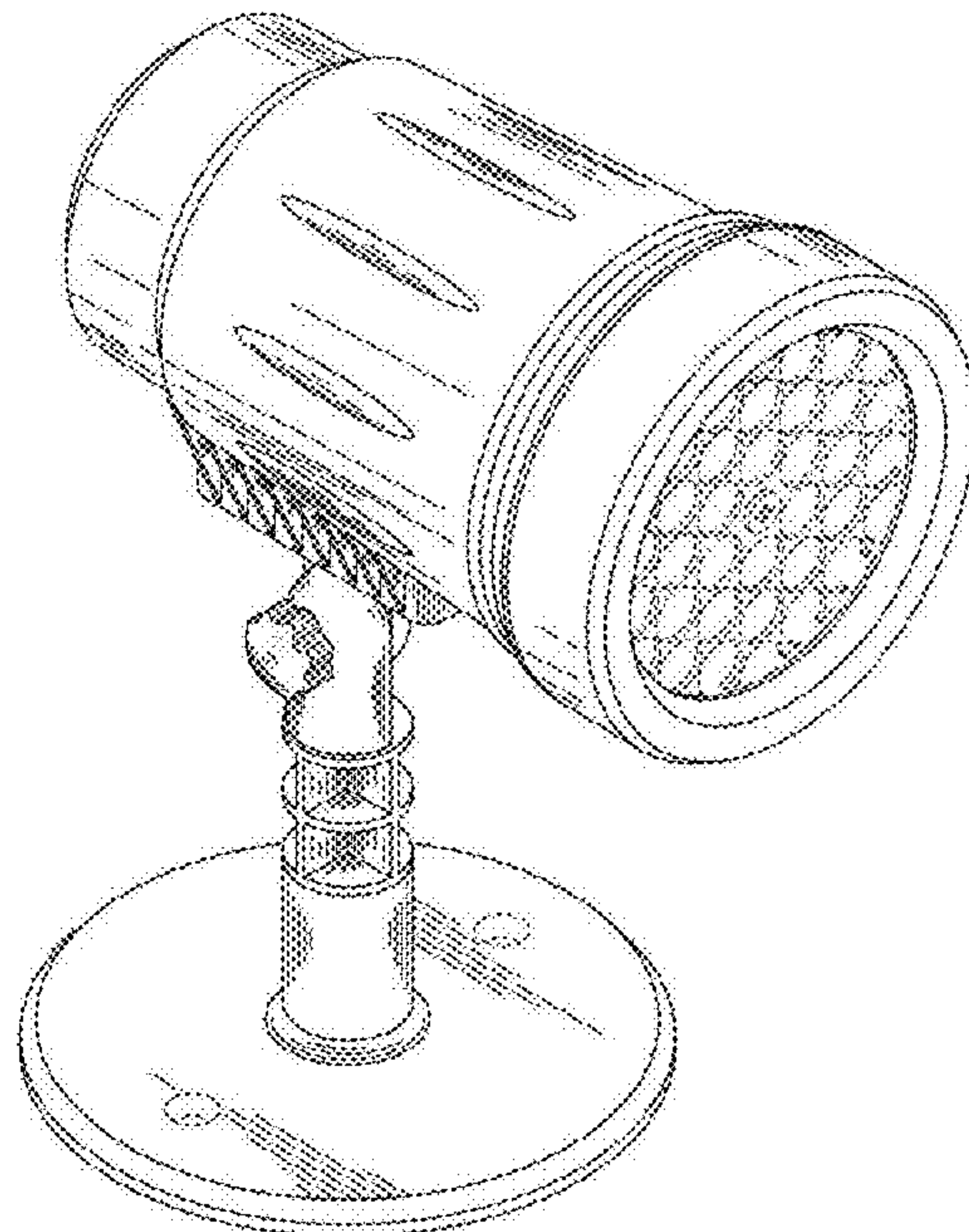
FIG. 5 is a front elevation view of the LED projector light.

FIG. 6 is a back elevation view of the LED projector light.

FIG. 7 is a top plan view of the LED projector light; and, FIG. 8 is a bottom plan view of the LED projector light.

The broken lines shown iron the drawings depict portions of the LED projector light that form no part of the claimed design.

**1 Claim, 8 Drawing Sheets**



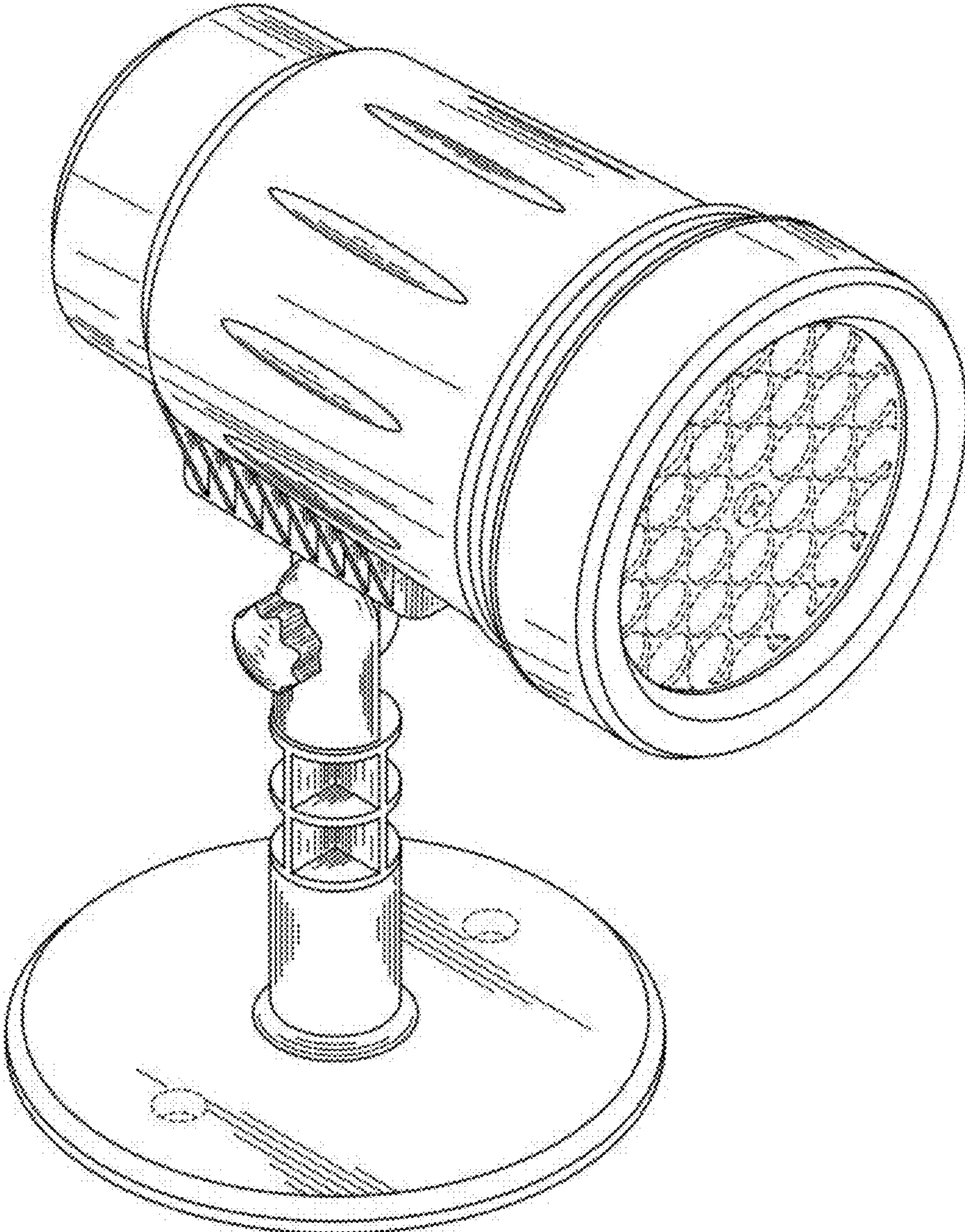


FIG. 1



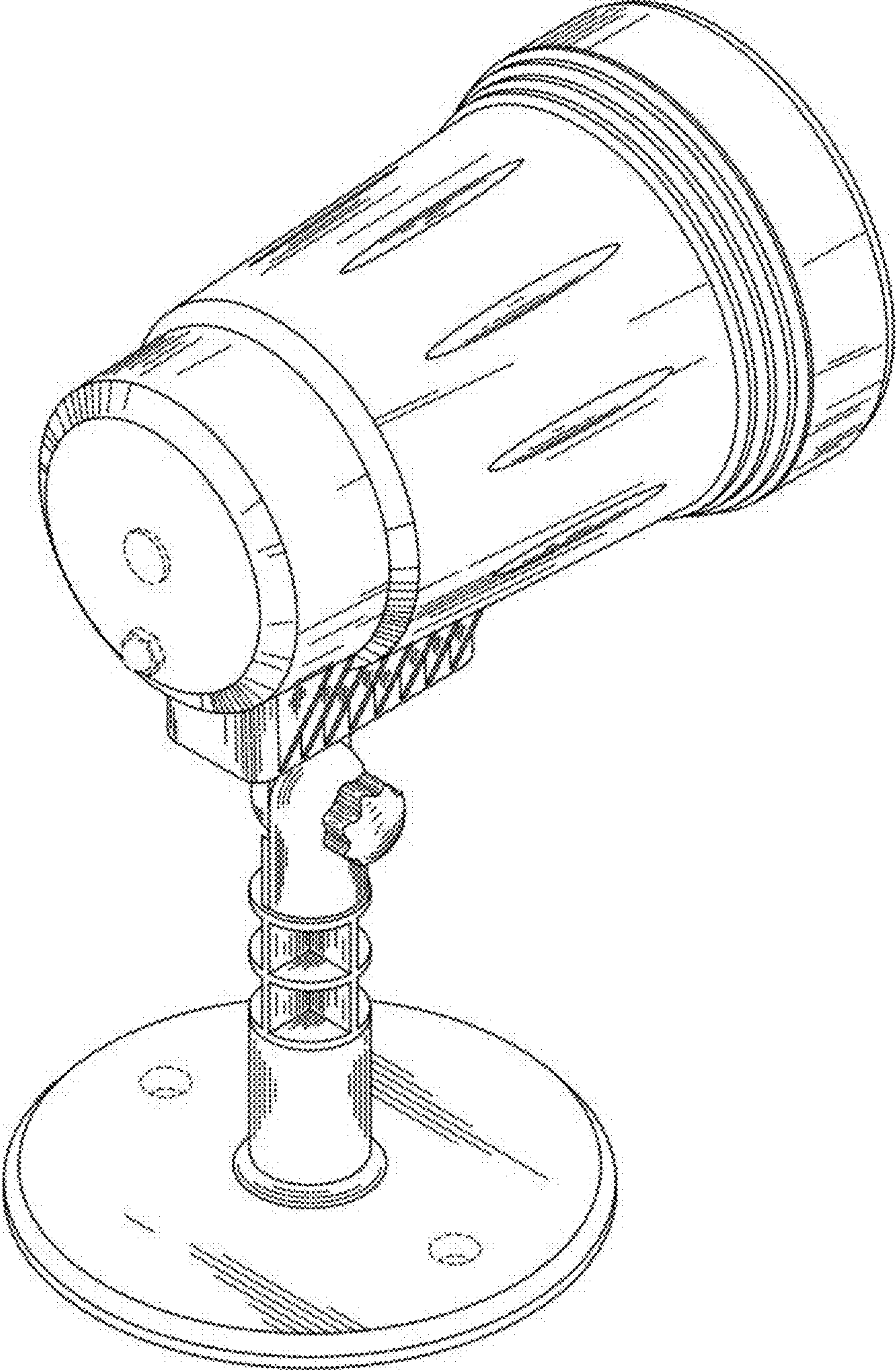


FIG. 2

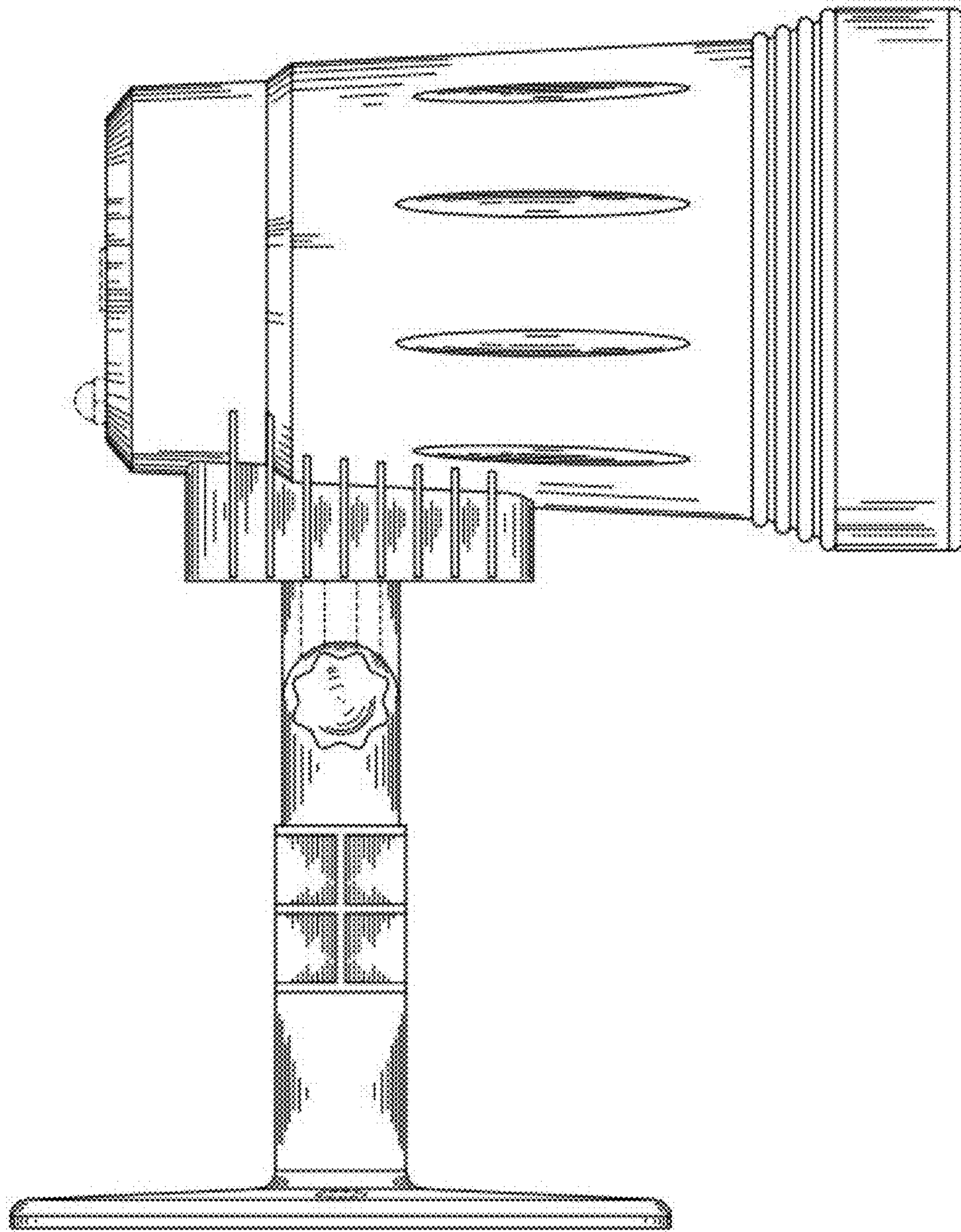


FIG. 3

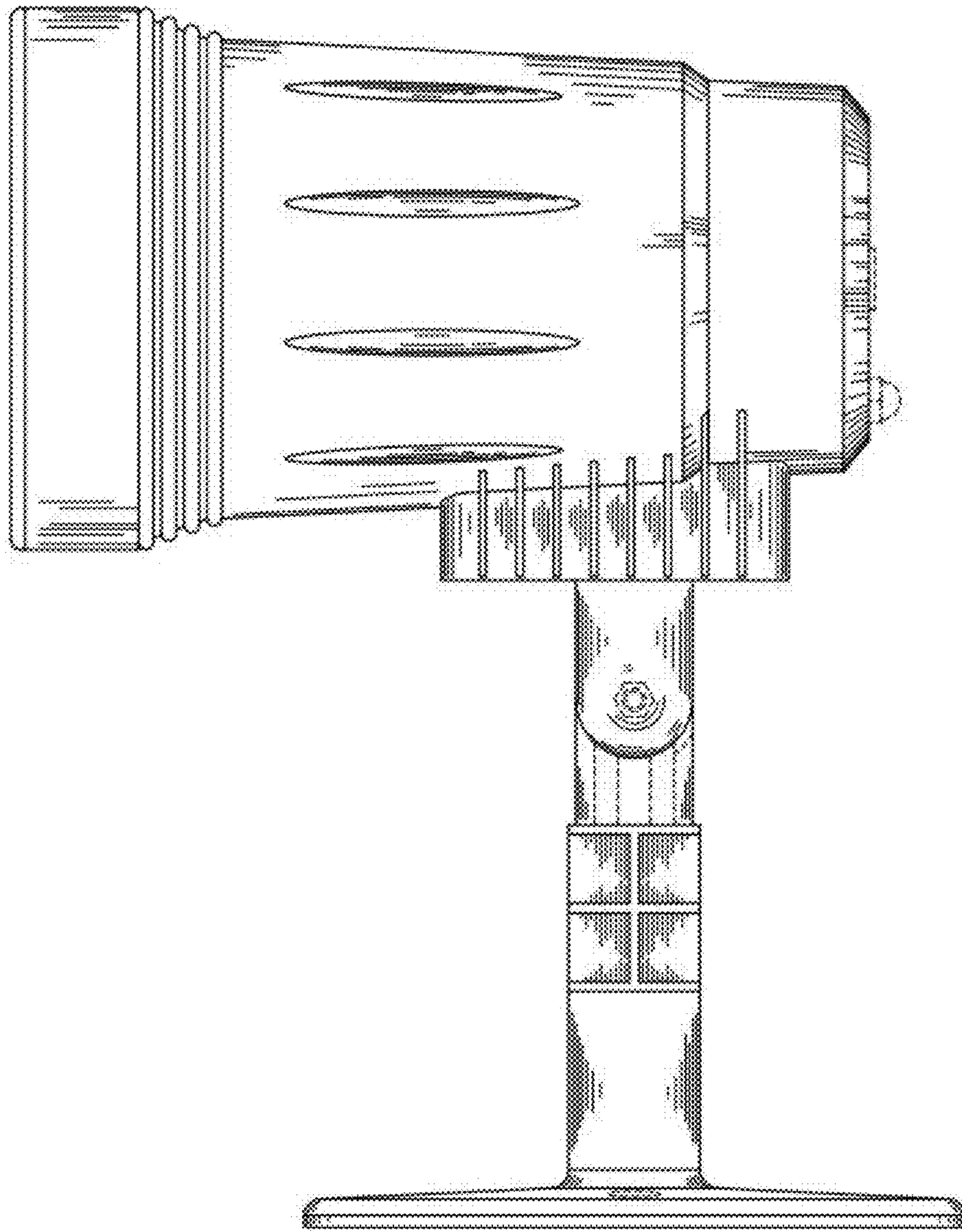


FIG. 4



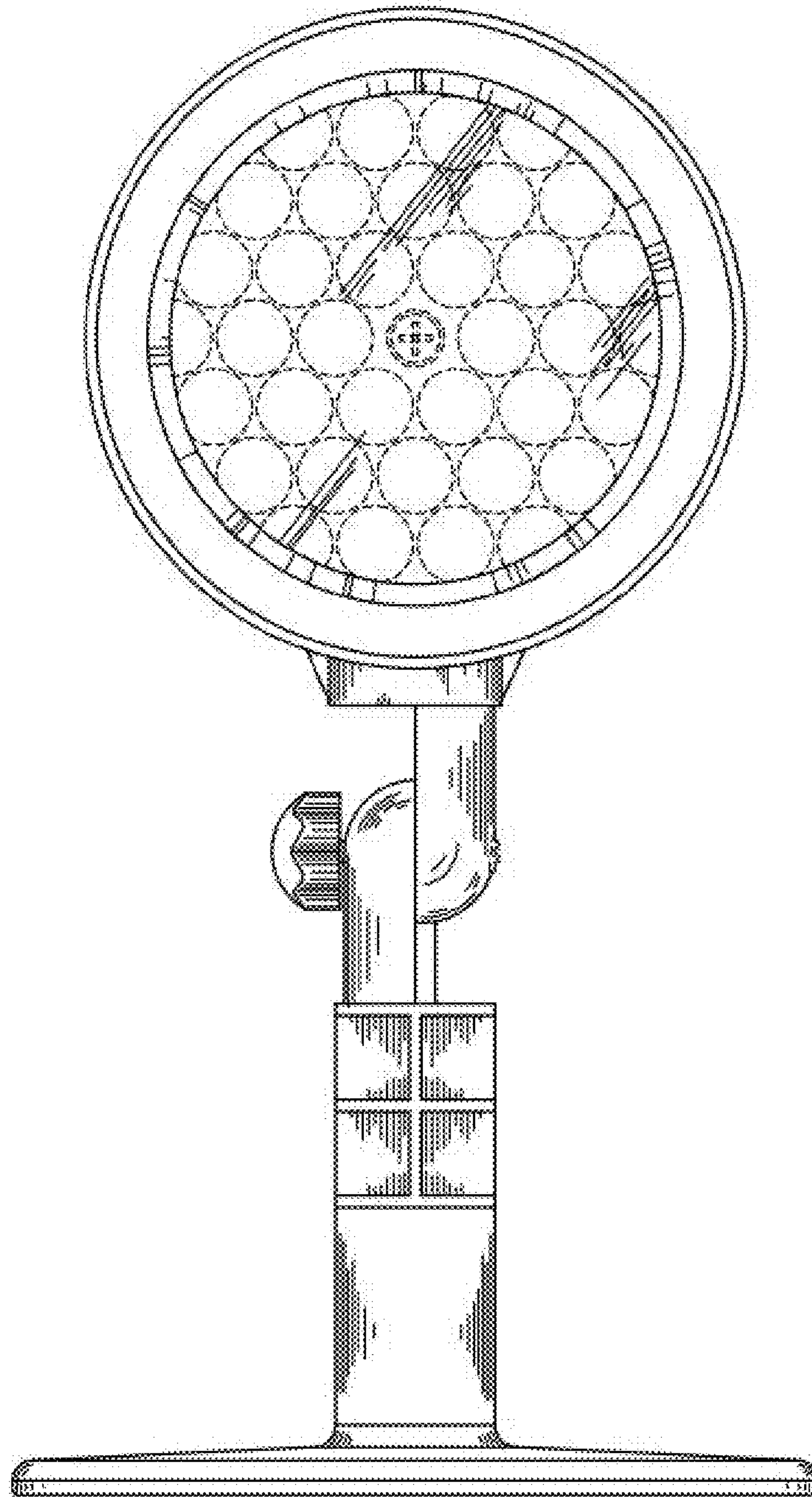


FIG. 5

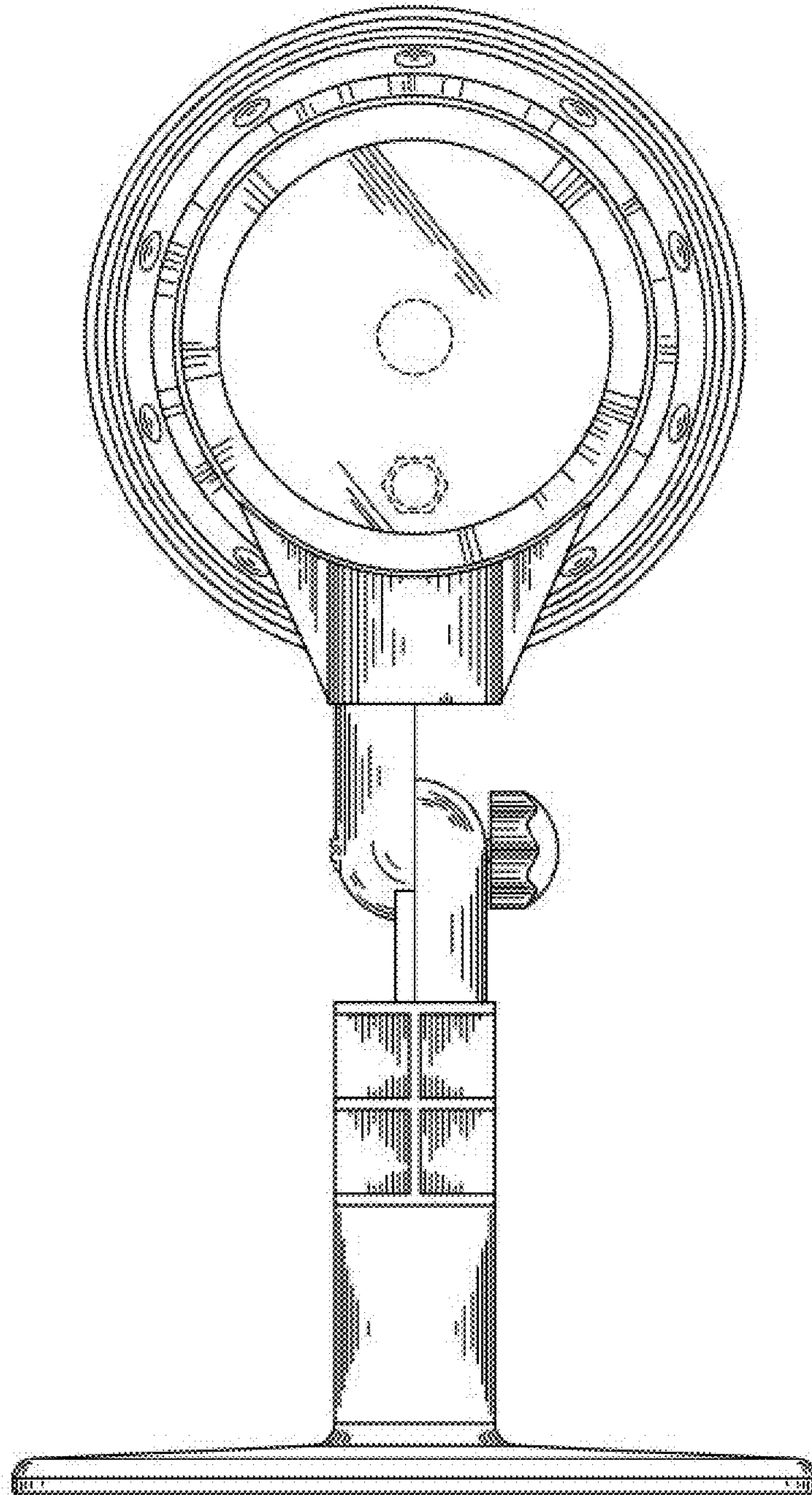


FIG. 6

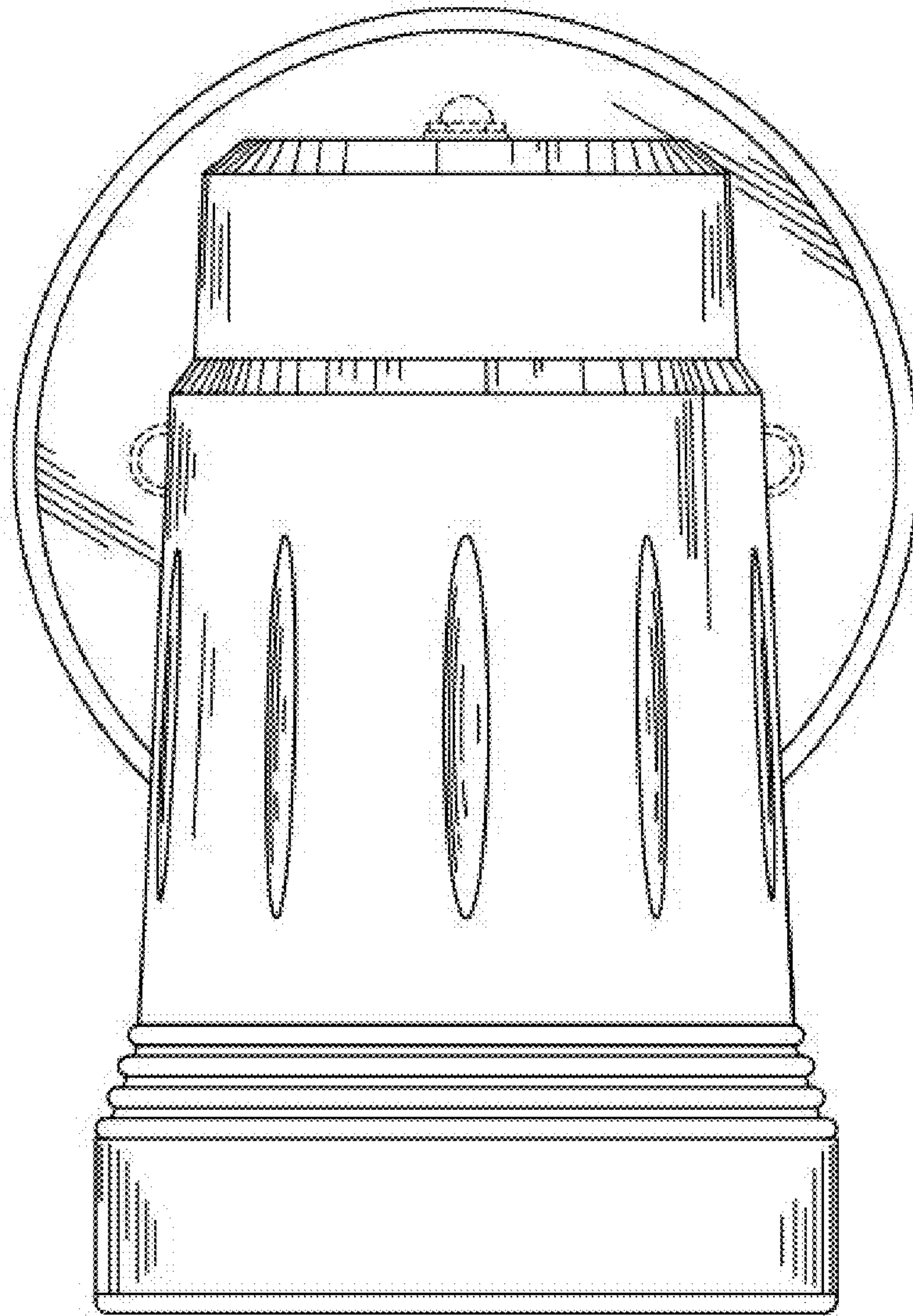


FIG. 7



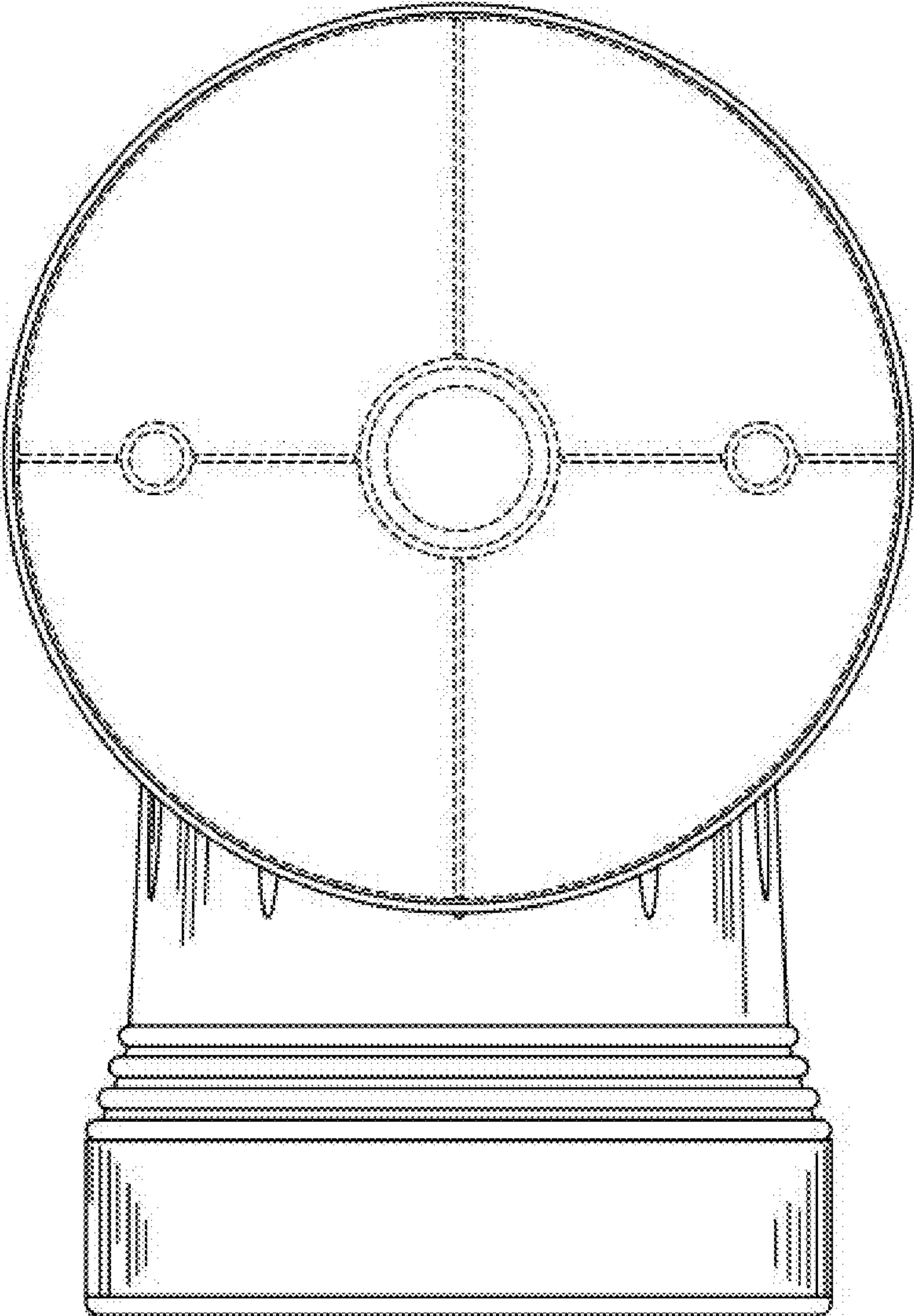


FIG. 8