



US00D919151S

(12) **United States Design Patent** (10) **Patent No.:** **US D919,151 S**  
**Wu** (45) **Date of Patent:** **\*\* May 11, 2021**

(54) **LAMP**  
(71) Applicant: **SHENZHEN USTELLAR TECHNOLOGY, LTD.**, Shenzhen (CN)  
(72) Inventor: **Hongwei Wu**, Shenzhen (CN)  
(73) Assignee: **SHENZHEN USTELLAR TECHNOLOGY, LTD.**, Shenzhen (CN)  
(\*\*) Term: **15 Years**  
(21) Appl. No.: **29/701,659**  
(22) Filed: **Aug. 13, 2019**  
(51) **LOC (13) Cl.** ..... **26-03**  
(52) **U.S. Cl.**  
USPC ..... **D26/63**  
(58) **Field of Classification Search**  
USPC ..... D26/1, 24, 61, 63, 65, 85, 92, 118  
CPC ..... F21V 21/14; F21V 15/01; F21V 14/02;  
F21V 21/30; F21V 21/00; F21V 14/00;  
F21S 8/00; F21S 8/003; F21S 8/043;  
F21Y 2105/001  
See application file for complete search history.

(56) **References Cited**  
U.S. PATENT DOCUMENTS  
D762,902 S \* 8/2016 Ke ..... D26/63  
D797,339 S \* 9/2017 Wang ..... D26/63  
D799,729 S \* 10/2017 Zhong ..... D26/63

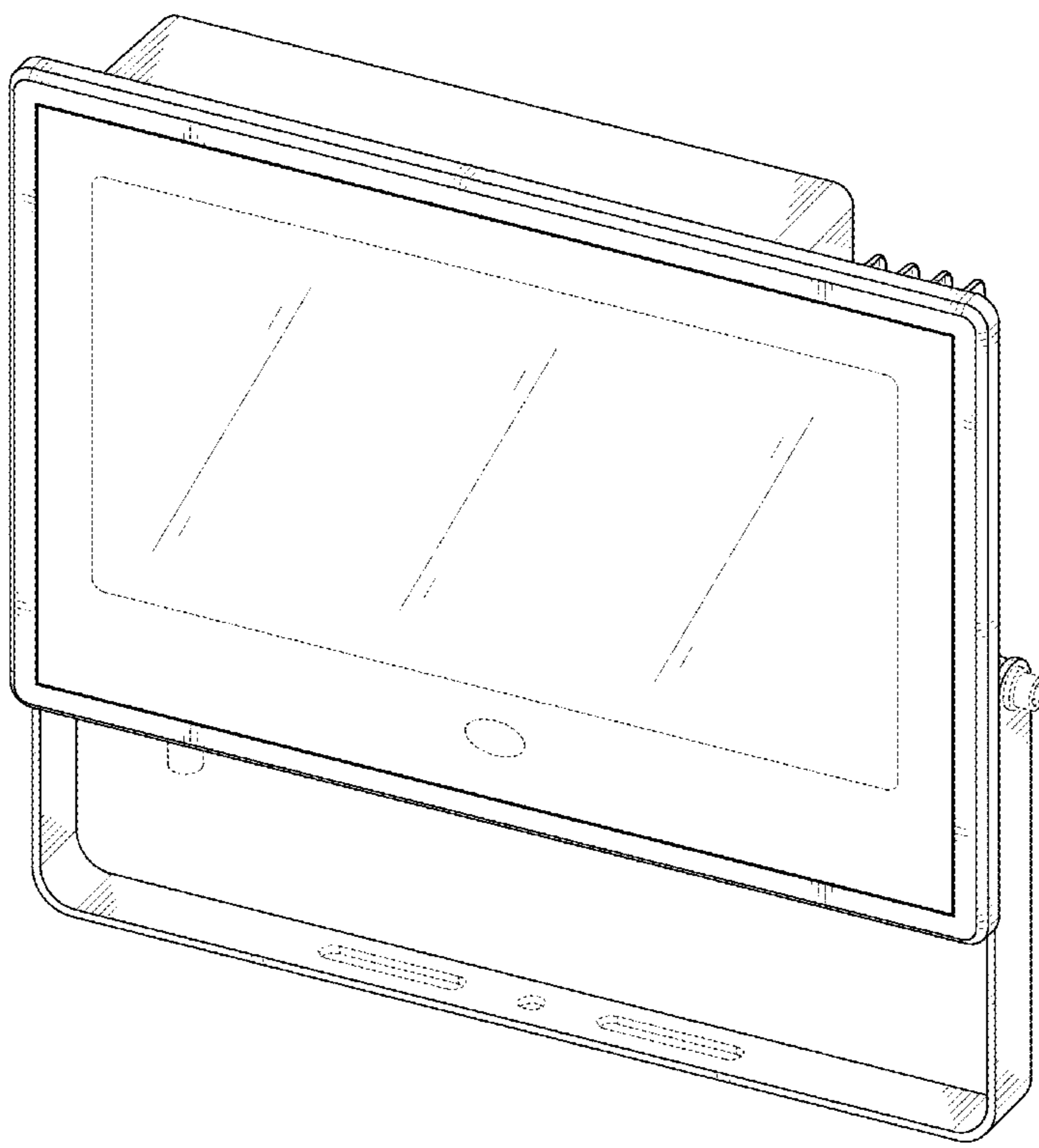
D842,520 S \* 3/2019 Brandrup ..... D26/63  
D858,840 S \* 9/2019 Deng ..... D26/63  
D887,056 S \* 6/2020 Moller ..... D26/63  
D887,609 S \* 6/2020 Wu ..... D26/63  
D893,788 S \* 8/2020 Li ..... D26/63  
D898,969 S \* 10/2020 Chen ..... D26/63  
D898,970 S \* 10/2020 Chen ..... D26/63  
D901,055 S \* 11/2020 Zeng ..... D26/63  
D903,175 S \* 11/2020 Lei ..... D26/63  
D903,917 S \* 12/2020 Pietschmann ..... D26/63

\* cited by examiner  
*Primary Examiner* — Brian N. Vinson  
(74) *Attorney, Agent, or Firm* — Law Offices of Steven W. Weinrieb

(57) **CLAIM**  
The ornamental design for a lamp, as shown and described.

**DESCRIPTION**  
FIG. 1 is a front, right side, top perspective view of a lamp showing my new design;  
FIG. 2 is a rear, left side, bottom perspective view thereof;  
FIG. 3 is a front elevational view;  
FIG. 4 is a rear elevational view thereof;  
FIG. 5 is a left side elevational view thereof;  
FIG. 6 is a right side elevational view thereof;  
FIG. 7 is a top plan view thereof; and,  
FIG. 8 is a bottom plan view thereof.  
The broken lines immediately adjacent to the claimed portions are boundaries, all other broken lines are environmental structures; all the broken lines form no part of the claimed design.

**1 Claim, 8 Drawing Sheets**



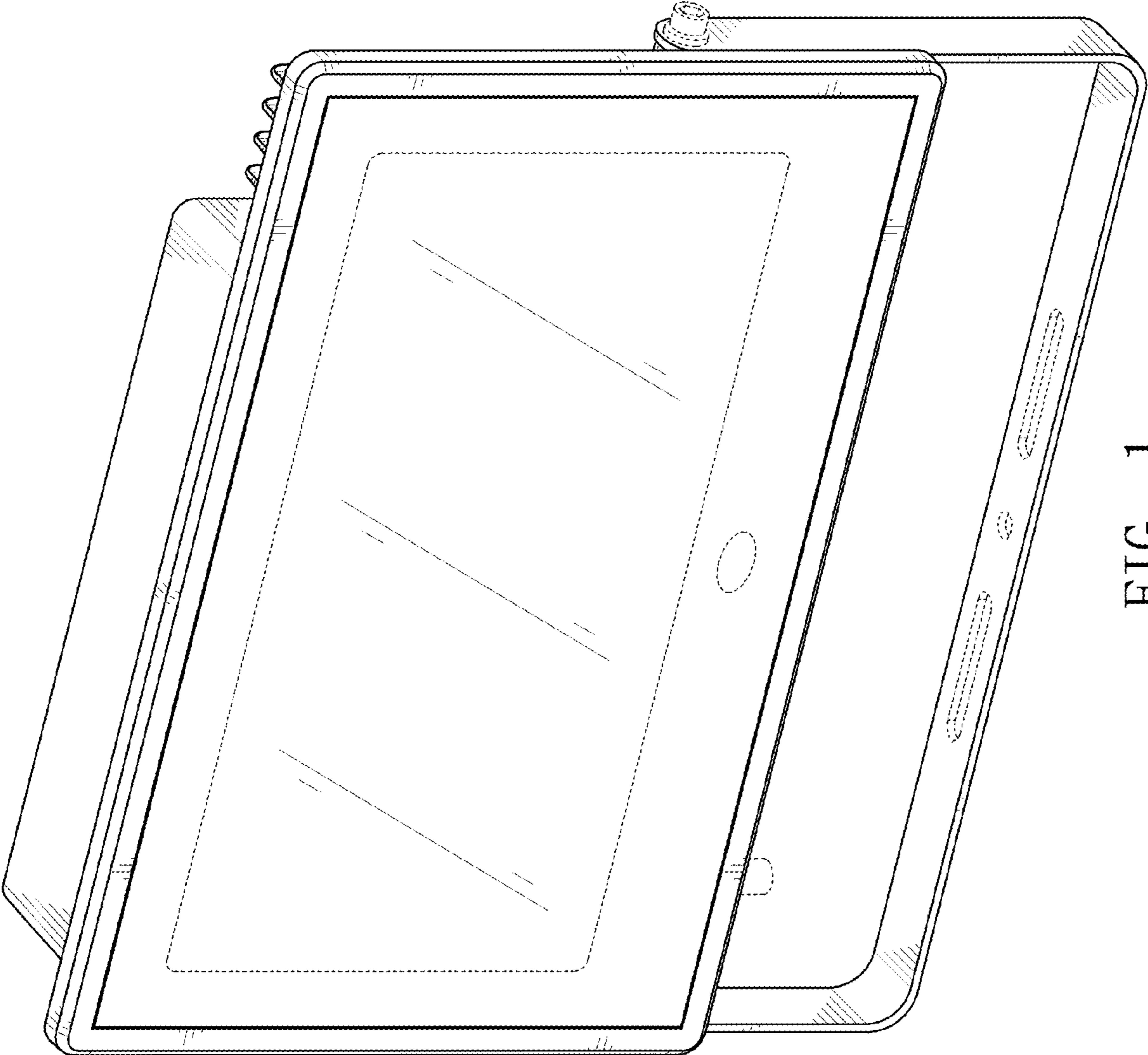


FIG. 1

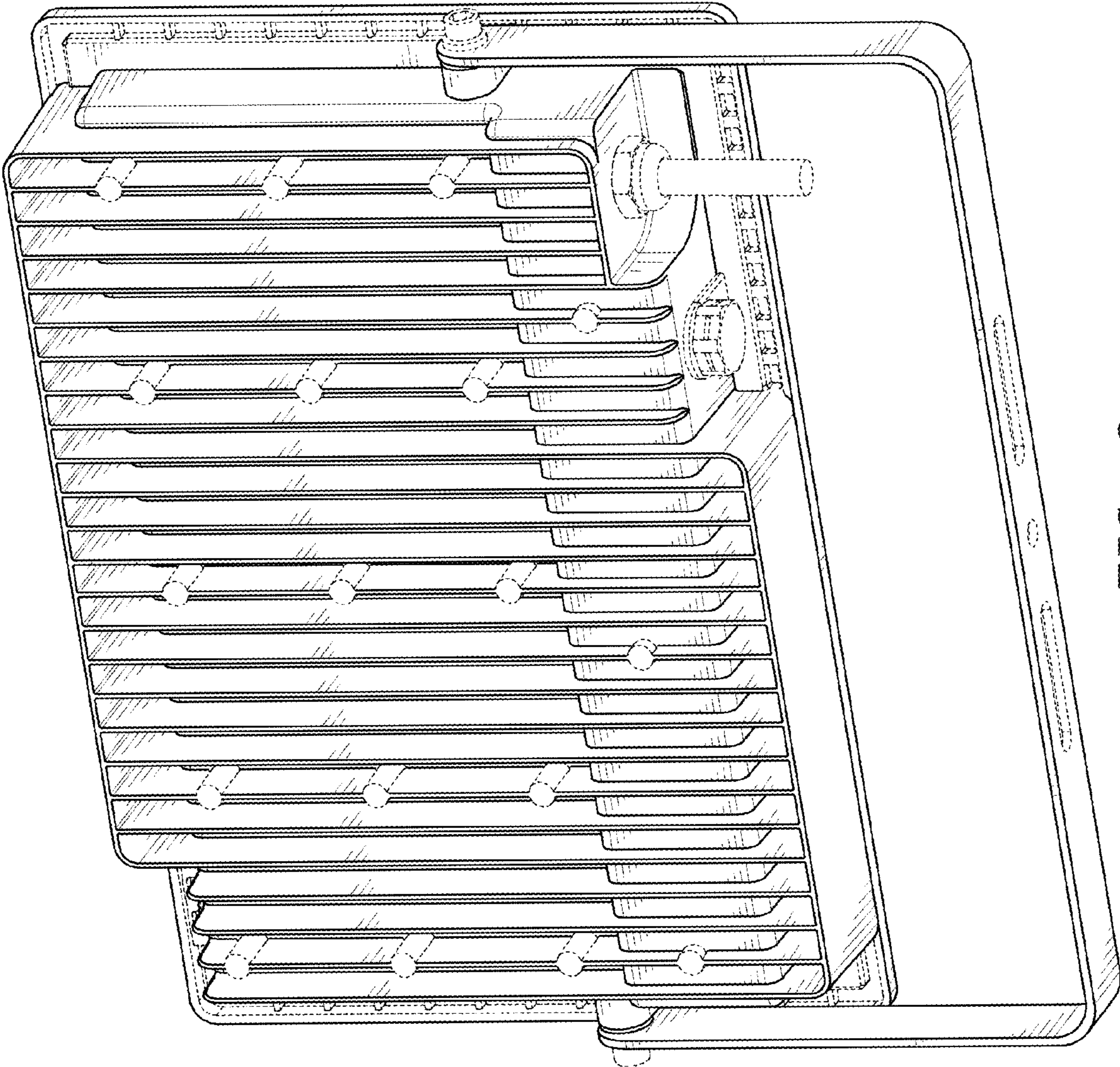


FIG. 2

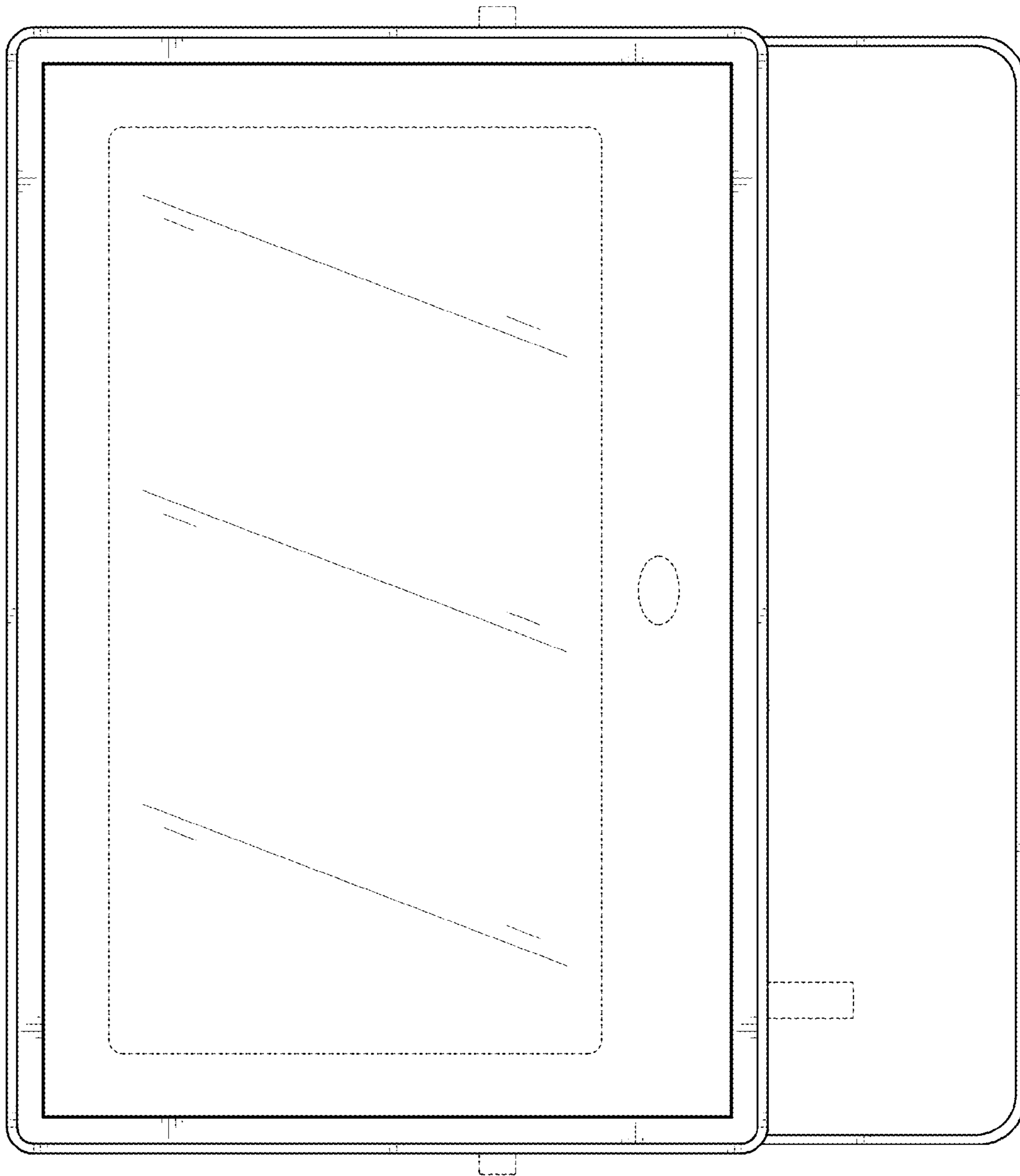


FIG. 3

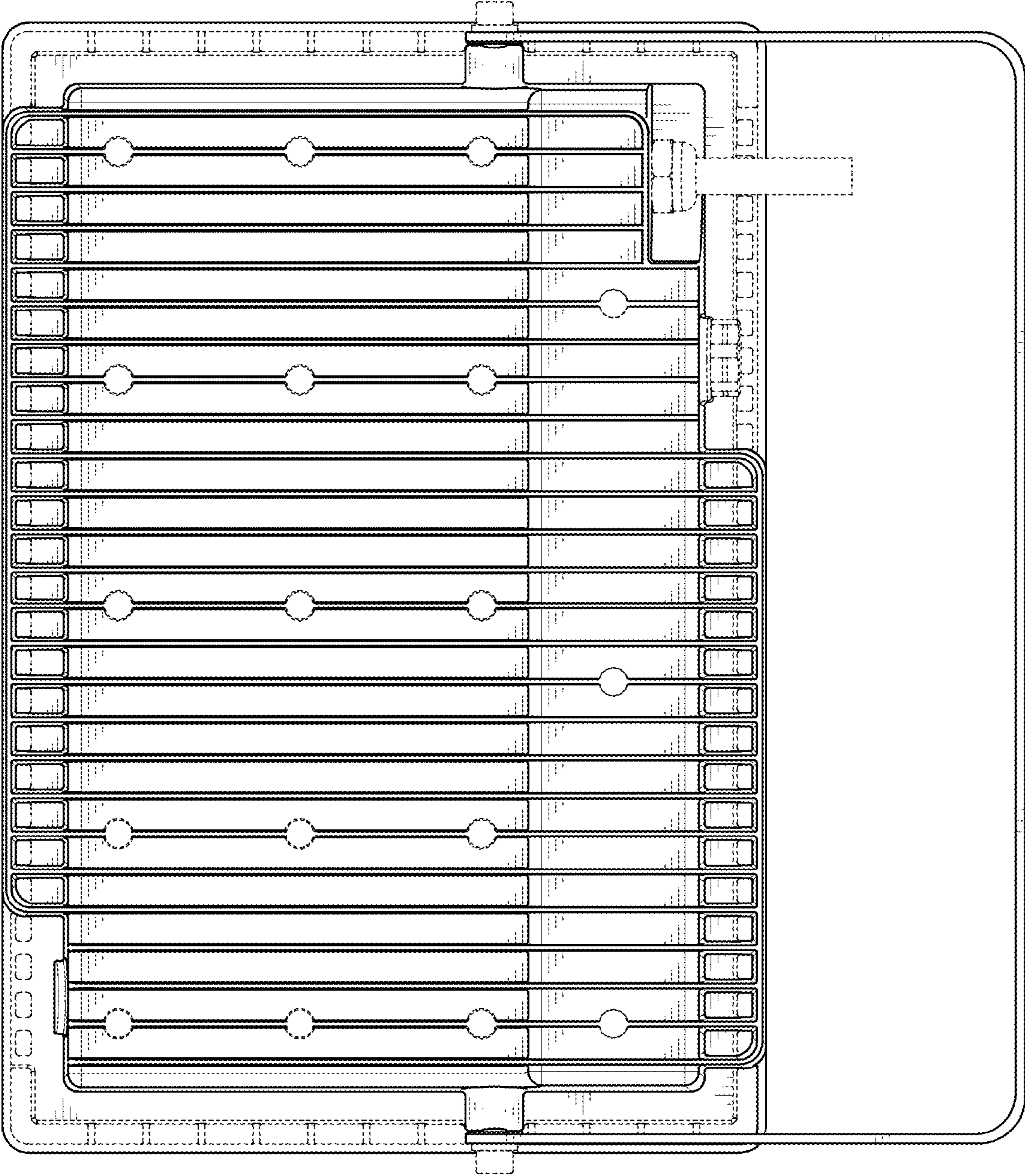


FIG. 4

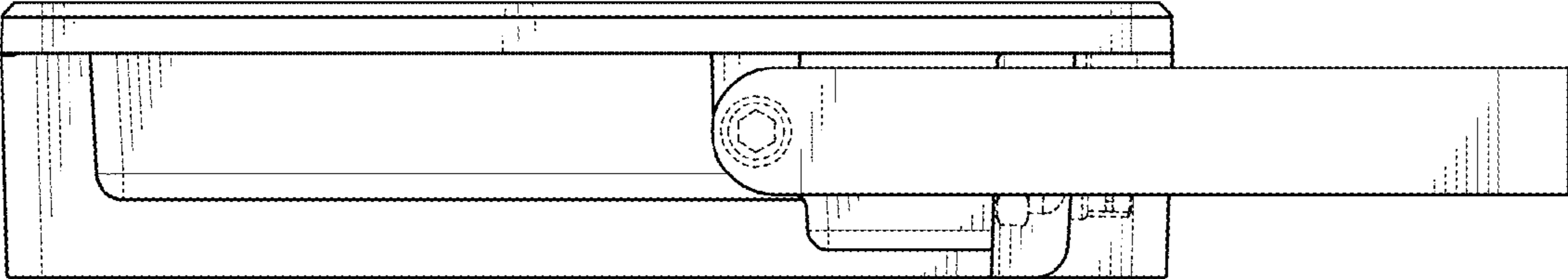


FIG. 5

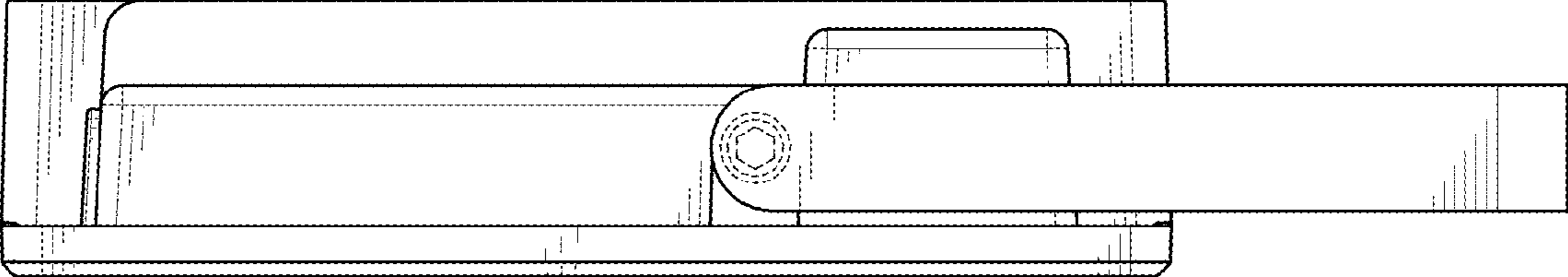


FIG. 6

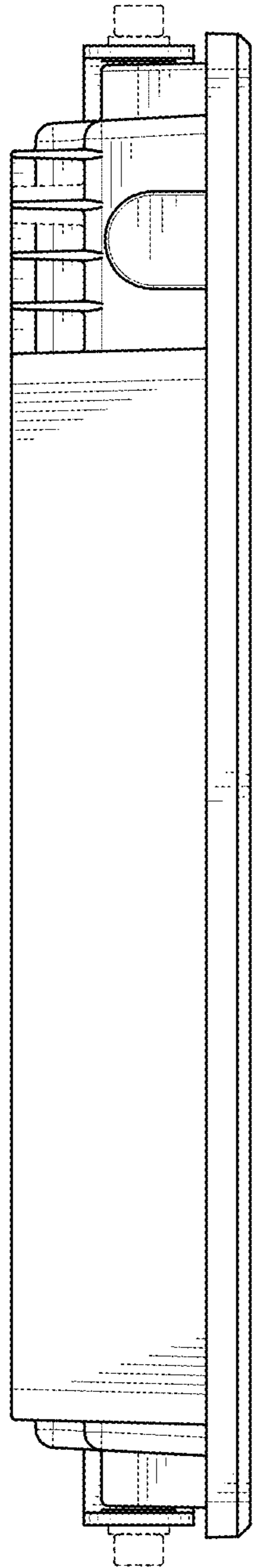


FIG. 7



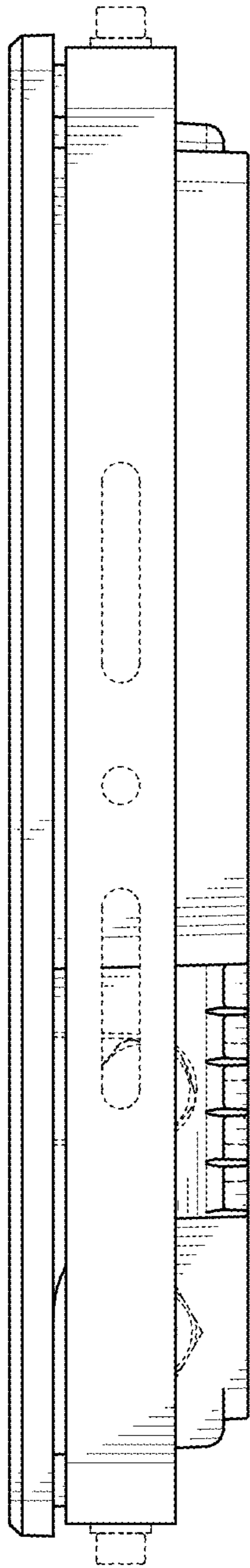


FIG. 8