



US00D919150S

(12) **United States Design Patent** (10) **Patent No.:** **US D919,150 S**
Worman (45) **Date of Patent:** **** May 11, 2021**

- (54) **MOUNTABLE LIGHT**
- (71) Applicant: **STREAMLIGHT, INC.**, Eagleville, PA (US)
- (72) Inventor: **William D. Worman**, Phoenixville, PA (US)
- (73) Assignee: **Streamlight, Inc.**, Eagleville, PA (US)
- (**) Term: **15 Years**
- (21) Appl. No.: **29/743,576**
- (22) Filed: **Jul. 22, 2020**

- 4,697,226 A 9/1987 Verdin
 - 4,856,218 A 8/1989 Reynolds, Jr.
 - 4,939,863 A 7/1990 Alexander et al.
 - 5,042,186 A 8/1991 Bechtel
 - 5,180,220 A 1/1993 Van Kalsbeek
 - 5,400,540 A 3/1995 Solsinsky et al.
- (Continued)

FOREIGN PATENT DOCUMENTS

EP 3045857 7/2016

OTHER PUBLICATIONS

Streamlight, Inc., "Product Catalog," Jun. 2001, Front Cover, pp. 1, 8-11, 28-29, 32-33, Rear Cover.

(Continued)

Related U.S. Application Data

- (63) Continuation of application No. 29/699,109, filed on Jul. 23, 2019, now Pat. No. Des. 907,268.
- (51) **LOC (13) Cl.** **26-05**
- (52) **U.S. Cl.**
USPC **D26/60**
- (58) **Field of Classification Search**
USPC D26/24, 38, 51, 60; D22/108, 109, 110, D22/199; 42/111, 113, 114, 115; 362/110
CPC F41G 11/002; F41G 11/003; F41G 11/004; F41G 1/00; F41G 1/35; F41G 1/36; F41G 1/345; F21L 4/00
See application file for complete search history.

Primary Examiner — Wan Laymon
Assistant Examiner — Clint A Samuel
(74) *Attorney, Agent, or Firm* — Clement A. Berard, Esq.; Dann, Dorfman, Herrell & Skillman, P.C.

(57) **CLAIM**

The ornamental design for a mountable light, substantially as shown and described.

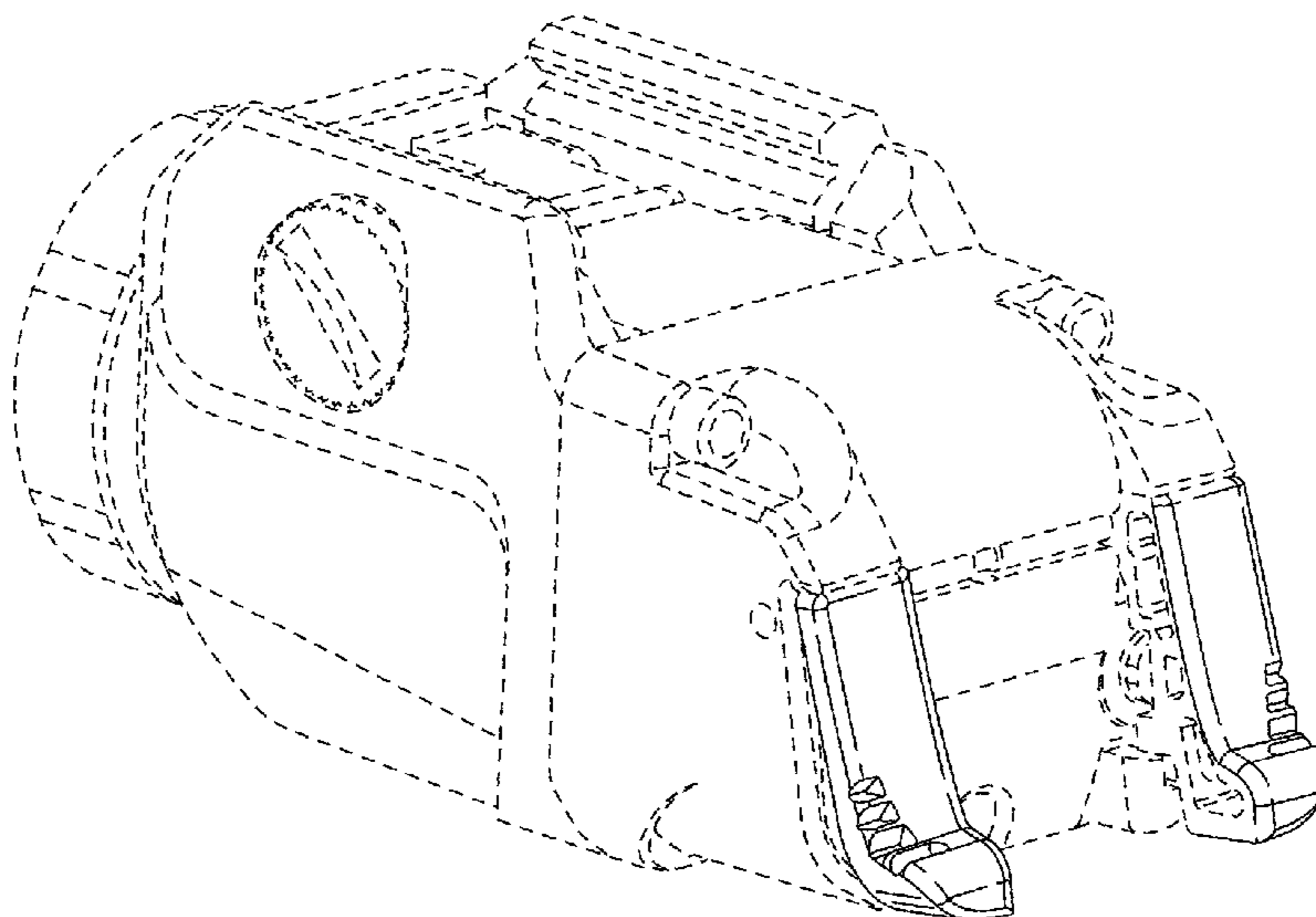
DESCRIPTION

FIG. 1 is a perspective view of an ornamental design for a mountable light which has a pair of actuators; FIG. 2 is a second perspective view thereof; FIG. 3 is a side view of a first side thereof; FIG. 4 is a side view of a second side thereof; FIG. 5 is a side view of a third side thereof; FIG. 6 is a side view of a fourth side thereof; FIG. 7 is an end view of a first end thereof; and, FIG. 8 is an end view of a second end thereof. Broken lines in the DRAWING indicate unclaimed parts of the article that are not claimed herein, and that form no part of the claimed design.

1 Claim, 4 Drawing Sheets

(56) **References Cited**
U.S. PATENT DOCUMENTS

- 2,546,242 A 3/1951 Stinson
- 2,597,565 A 5/1952 Chandler et al.
- 2,601,613 A 6/1952 Jahncke
- 3,153,856 A 10/1964 Felix
- 3,488,488 A 1/1970 Crouch
- 3,513,581 A 5/1970 Slater
- 3,877,166 A 4/1975 Ward
- 4,177,754 A 12/1979 James et al.
- 4,580,362 A 4/1986 Stevens



(56)

References Cited

U.S. PATENT DOCUMENTS

5,430,967 A 7/1995 Woodman, III et al.
 5,581,898 A 12/1996 Thummel
 5,584,137 A 12/1996 Teetzel
 5,628,555 A 5/1997 Sharrah et al.
 5,685,105 A 11/1997 Teetzel
 5,758,448 A 6/1998 Thummel
 5,787,628 A 8/1998 Teetzel
 5,816,683 A 10/1998 Christiansen
 5,913,669 A 6/1999 Hansen et al.
 6,073,901 A 6/2000 Richter
 6,115,952 A 9/2000 Rigler
 6,154,995 A 12/2000 Lenoir
 6,185,854 B1 2/2001 Solinsky et al.
 6,230,431 B1 5/2001 Bear
 6,276,088 B1 8/2001 Matthews
 6,378,237 B1 4/2002 Matthews
 6,574,901 B1 6/2003 Solinsky et al.
 6,612,714 B1 9/2003 Morre et al.
 7,117,624 B2 10/2006 Kim
 7,188,978 B2 3/2007 Sharrah et al.
 D542,446 S 5/2007 DiCarlo
 D543,446 S 5/2007 DiNenna
 D548,385 S 8/2007 Sharrah et al.
 7,260,912 B2 8/2007 Liu
 D567,894 S 4/2008 Sterling
 D568,508 S 5/2008 Howe et al.
 7,399,100 B1 * 7/2008 Plyaskin F41G 1/35
 362/110
 D578,599 S 10/2008 Cheng
 D612,970 S 3/2010 Sharrah et al.
 7,726,061 B1 6/2010 Thummel
 7,735,255 B1 6/2010 Kincaid
 7,934,333 B1 5/2011 Tuz
 8,169,165 B2 5/2012 West
 8,256,154 B2 9/2012 Danielson
 D673,709 S 1/2013 Sharrah
 D674,525 S 1/2013 Sharrah et al.
 D674,858 S 1/2013 Galli
 8,510,979 B1 8/2013 Mortimer
 8,683,731 B2 4/2014 Kowalczyk
 8,683,733 B2 4/2014 Gross
 8,713,844 B2 5/2014 Tuller, Jr.
 8,760,085 B2 6/2014 West
 D709,981 S 7/2014 Johnston
 D712,001 S 8/2014 Wells
 8,904,698 B2 12/2014 Riley
 8,915,009 B2 12/2014 Caulk
 9,035,576 B2 5/2015 West
 D732,134 S 6/2015 Wells
 D738,455 S 9/2015 Homem de Mello Anderson
 D738,457 S 9/2015 Johnston
 9,182,194 B2 11/2015 Moore
 D757,311 S 5/2016 Nagano
 9,341,440 B2 5/2016 Moore
 9,488,439 B2 11/2016 Galli
 D781,983 S 3/2017 Wells
 9,658,031 B1 5/2017 Hedeon
 D790,097 S 6/2017 Port
 D796,622 S 9/2017 Sharrah
 9,772,163 B2 9/2017 Sharrah et al.
 D800,362 S 10/2017 Galli
 9,810,411 B2 11/2017 Galli et al.
 D807,981 S 1/2018 Cheng
 D812,178 S 3/2018 Galli
 D813,340 S 3/2018 Galli
 9,958,143 B2 5/2018 Galli et al.
 D829,841 S 10/2018 Galli
 10,365,069 B1 * 7/2019 Tayon F41G 11/003
 D857,268 S 8/2019 Worman
 D857,960 S 8/2019 Worman
 D865,107 S * 10/2019 Batten D22/108
 D872,334 S 1/2020 Fan
 D872,919 S * 1/2020 Fan D26/60
 D885,510 S 5/2020 Wells
 10,697,623 B2 6/2020 Worman

D898,260 S * 10/2020 Worman D26/60
 D898,261 S * 10/2020 Worman D26/60
 D907,267 S * 1/2021 Worman D26/60
 D907,268 S * 1/2021 Worman D26/60
 D907,269 S * 1/2021 Worman D26/60
 D907,270 S * 1/2021 Worman D26/60
 2002/0100204 A1 8/2002 Kim
 2002/0148153 A1 10/2002 Thorpe
 2003/0007355 A1 1/2003 Leen
 2004/0068913 A1 4/2004 Solinsky et al.
 2004/0169119 A1 9/2004 Crowell et al.
 2005/0246937 A1 11/2005 Kim
 2006/0083008 A1 4/2006 Yu
 2006/0083009 A1 4/2006 Hsu
 2008/0120891 A1 5/2008 Wei
 2009/0013580 A1 1/2009 Houde-Walter et al.
 2010/0097789 A1 4/2010 Sharrah
 2010/0176741 A1 7/2010 Sharrah et al.
 2011/0214973 A1 9/2011 Solinsky et al.
 2012/0124885 A1 5/2012 Caulk
 2012/0144718 A1 6/2012 Danielson
 2013/0074351 A1 3/2013 Kowalczyk
 2013/0145672 A1 6/2013 Tuller
 2015/0102743 A1 4/2015 West
 2015/0113851 A1 4/2015 Bensayan
 2015/0159847 A1 6/2015 Galli
 2015/0192391 A1 7/2015 Moore
 2015/0233668 A1 8/2015 Moore
 2015/0276347 A1 10/2015 Sharrah
 2015/0276352 A1 10/2015 Chang et al.
 2016/0021329 A1 1/2016 Sakiewicz
 2016/0209167 A1 7/2016 Wells
 2016/0209168 A1 7/2016 Sharrah et al.
 2016/0305742 A1 10/2016 Kowalczyk
 2018/0038580 A1 * 2/2018 Galli F41G 1/35
 2018/0087757 A1 * 3/2018 Mock F21L 4/00
 2018/0087876 A1 * 3/2018 Galli F41G 1/35
 2018/0283670 A1 10/2018 Galli et al.
 2019/0154243 A1 5/2019 Worman
 2019/0219365 A1 * 7/2019 Ma F41G 11/003
 2019/0301835 A1 10/2019 Tayon
 2019/0316882 A1 10/2019 Galli
 2020/0173640 A1 6/2020 Worman
 2020/0408489 A1 * 12/2020 Hovsepian F41G 1/35

OTHER PUBLICATIONS

Streamlight, Inc., "M2 Universal Tactical Light," Product Package, Prior to Oct. 24, 2006, 1 Pg.
 Streamlight, Inc., "M2 Universal Tactical Light," Operator's Manual, Oct. 2003, 2 Pages.
 Streamlight, Inc., "M-3 LED Tactical Navigation Light," Dated: 2002, Eagleville, PA, 2 Pages.
 Streamlight, Inc., "M-6 Tactical Laser Illuminator," Dated 2003, Eagleville, PA, 2 Pages.
 Stream Light, Inc., "Introducing The All-New MIL-SPEC X-Series—Trusted Tactical Lights Taken To The X-treme," Dated: Oct. 2003, Eagleville, PA, 2 Pages.
 Streamlight, Inc., "L.A.M. Laser Aiming Module," Dated 2000, Eagleville, PA, 2 Pages.
 Stream Light, Inc., "Tactical Series Specifications," http://www.streamlight.com/tactical_specifications.htm, Printed Oct. 28, 2004, 3 Pages.
 Stream Light, Inc., "Tactical Series Parts & Accessories," Specifications, http://www.streamlight.com/tactical_accessories.htm, Printed Oct. 28, 2004, 2 Pages.
 Streamlight, Inc., Streamlight M-3 LED, Streamlight Products, http://www.streamlight.com/m3led_specs.htm, Printed Oct. 28, 2004, 1 Page.
 Streamlight, Inc., Streamlight M-6, M-6 Tactical Laser Illuminator Specifications, http://www.streamlight.com/m6_specifications.htm, Printed Oct. 28, 2004, 1 Page.
 Streamlight, Inc., "Streamlight Laser Aiming Module (L.A.M.)," Streamlight Products, http://www.streamlight.com/lam_specs.htm, Printed Oct. 28, 2004, 2 Pages.

(56)

References Cited

OTHER PUBLICATIONS

Streamlight, Inc., "X-Series Specifications", http://www.streamlight.com/x-series_specs.htm, Printed Oct. 28, 2004, 2 Pages.

Streamlight, Inc., "Tactical Gun Mount Series—TLR-1", <http://www.streamlight.com/product/product.aspx?pid=80>, Printed Sep. 18, 2006, 1 Page.

Streamlight, Inc., "Tactical Gun Mount Series—TLR-2 With Laser Sight", <http://www.streamlight.com/product/product.aspx?pid=81>, Printed Sep. 18, 2006, 1 Page.

Streamlight, Inc., "Tactical Gun Mount Series—TLR-1", <http://streamlight.com/product/product.aspx?pid=80>, Printed Mar. 9, 2009, 2 pages.

First Samco, "Tactical Light Holder," First Samco Tactical Accessories for AR15 & M/16, <http://www.firstsamco.com/catalog/productdetail.php?ID=4>, Printed Nov. 4, 2004, 1 Page.

First Samco, "Images for Tactical Light Holder," First Samco Tactical Accessories for AR15 & M/16, <http://www.firstsamco.com/catalog/moreimages.php?ID=4>, Printed Nov. 4, 2004, 1 Pg.

Insight Technology, Inc., M2 UTL Universal Tactical Light (with Photos), © 2004, <http://www.insightlights.com/products/showProduct.asp?id=1>, Printed Nov. 8, 2005, 4 Pgs.

Insight Technology, Inc., "M3X Tactical Illuminator," © 2004, <http://www.insightlights.com/products/showProduct.asp?id=6>, Printed Oct. 28, 2004, 2 Pages.

Insight Technology, Inc., "M6 Tactical Illuminator (with Photos)," © 2004, <http://www.insightlights.com/products/showProduct.asp?id=9>, Printed Oct. 28, 2004, 5 Pages.

Insight Technology, Inc., "M6X Tactical Illuminator (with Photos)," © 2004 <http://www.insightlights.com/products/showProduct.asp?id=11>, Printed Oct. 28, 2004, 6 Pgs.

Insight Technology, Inc., "XML X-treme Mini Light", © 2004, <http://www.insightlights.com/products/showProduct.asp?id=2>, Printed Oct. 28, 2004, 1 Page.

Insight Technology, Inc., "Tactical Lights by Insight Technology Inc. (UTL, M3, LAM)—Products by Product Index", © 2001, <http://www.insightlights.com/oldsite/prodbyproducts.htm>, Printed Sep. 18, 2006, 1 Page.

Insight Technology, Inc., "Tactical Lights by Insight Technology Inc. (UTL, M3, LAM)—The M3 Tactical Light", © 2001, http://www.insightlights.com/oldsite/prod_m3.htm, Printed Sep. 18, 2006, 1 Page.

Insight Technology, Inc., "Tactical Lights by Insight Technology Inc. (UTL, M3, LAM)—M3 Photo Gallery", © 2001, http://www.insightlights.com/oldsite/gallery_m3.htm, Printed Sep. 18, 2006, 1 Page.

Insight Technology, Inc., "Tactical Lights by Insight Technology Inc. (UTL, M3, LAM)—The M3-LED Tactical Illuminator", © 2001, http://www.insightlights.com/oldsite/prod_m3led.htm, Printed Sep. 18, 2006, 2 Pages.

Insight Technology, Inc., "Tactical Lights by Insight Technology Inc. (UTL, M3, LAM)—M3-LED Photo Gallery", © 2001, http://www.insightlights.com/oldsite/gallery_m3led.htm, Printed Sep. 18, 2006, 1 Page.

Insight Technology, Inc., "Tactical Lights by Insight Technology Inc. (UTL, M3, LAM)—The M4 and M4-Pro Tactical Light", © 2001, http://www.insightlights.com/oldsite/prod_m4.htm, Printed Sep. 18, 2006, 1 Page.

Insight Technology, Inc., "Tactical Lights by Insight Technology Inc. (UTL, M3, LAM)—M4 & M4-Pro Photo Gallery", © 2001, http://www.insightlights.com/oldsite/gallery_m4.htm, Printed Sep. 18, 2006, 1 Page.

Insight Technology, Inc., "Tactical Lights by Insight Technology Inc. (UTL, M3, LAM)—The M5 Tactical Light", © 2001, http://www.insightlights.com/oldsite/prod_m5.htm, Printed Sep. 18, 2006, 1 Page.

Insight Technology, Inc., "Tactical Lights by Insight Technology Inc. (UTL, M3, LAM)—M5 Photo Gallery", © 2001, http://www.insightlights.com/oldsite/gallery_m5.htm, Printed Sep. 18, 2006, 1 Page.

Insight Technology, Inc., "Tactical Lights by Insight Technology Inc. (UTL, M3, LAM)—The M6 Tactical Laser Illuminator", © 2001, http://www.insightlights.com/oldsite/prod_m6.htm, Printed Sep. 18, 2006, 2 Pages.

Insight Technology, Inc., "Tactical Lights by Insight Technology Inc. (UTL, M3, LAM)—M6 Photo Gallery", © 2001, http://www.insightlights.com/oldsite/gallery_m6.htm, Printed Sep. 18, 2006, 1 Page.

Insight Technology, Inc., "Tactical Lights by Insight Technology Inc. (UTL, M3, LAM)—Laser Aiming Module (LAM)", © 2001, http://www.insightlights.com/oldsite/prod_lam.htm, Printed Sep. 18, 2006, 2 Pages.

Insight Technology, Inc., "Tactical Lights by Insight Technology Inc. (UTL, M3, LAM) LAM Photo Gallery", © 2001, http://www.insightlights.com/oldsite/gallery_lam.htm, Printed Sep. 18, 2006, 1 Page.

Insight Technology, Inc., "Tactical Lights by Insight Technology Inc. (UTL, M3, LAM)—Parts & Accessories Photo Gallery", © 2001, Printed Sep. 18, 2006, 2 Pages, http://www.insightlights.com/oldsite/gallery_access.htm.

Insight Technology, Inc., "X-treme Functionality . . . XTI Procyon", © 2008, <http://www.insightlights.com/products-procyon.htm>, Printed Mar. 12, 2009, 1 page.

Insight Technology, Inc., "X-treme Design . . . X2", © 2008, <http://www.insightlights.com/products-x2.htm>, Printed Mar. 12, 2009, 1 page.

Insight Technology, Inc., "X2 Sub-Compact Operator Manual", Rev. Apr. 2005, 6 pages.

SureFire, "Laser Sights," Weapon mounted laser sights from SureFire, © 2001-2004, 1 page, http://www.surefire.com/maxexp/main/co_disp/displ/pgrfnbr/364/sesent/00, Printed Oct. 28, 2004.

SureFire, "Weapon Lights," Lights for weapons including handguns, shotguns, and rifles, © 2001-2004, http://www.surefire.com/maxexp/main/co_disp/displ/pgrfnbr/211/sesent/00, Printed Oct. 28, 2004, 1 Page.

SureFire, "Handgun Weapon Lights," Handgun Tactical Weapon Lights provided by SureFire, © 2001-2004, http://www.surefire.com/maxexp/main/co_disp/displ/carfnbr/91/sesent/00, Printed Oct. 28, 2004, 2 Pages.

SureFire, "Products," X200 WeaponLight—X200 available from SureFire, © 2001-2004, http://www.surefire.com/maxexp/main.pl?pgm-co_disp&func-displ&strfnbr=6&prfnbr=1110& . . ., Printed Oct. 28, 2004, 2 Pages.

SureFire, "SureFire Integrated Shotgun Weapon Lights," Shotgun Weapon Lights provided by SureFire, © 2001-2004, Printed Oct. 28, 2004, 1 Page, http://www.surefire.com/maxexp/main/co_disp/displ/carfnbr/92/sesent/00.

SureFire, "Rifle, Carbine & SMG Light Systems," Rifle, Carbine & SMG Weapon Lights Systems provided by SureFire, © 2001-2004, Printed Oct. 28, 2004, 1 Page, http://www.surefire.com/maxexp/main/co_disp/displ/carfnbr/93/sesent/00.

SureFire, "Rifle, Carbine & SMG Light Systems," Millennium Forends provided by SureFire, © 2001-2004, Printed Oct. 28, 2004, 1 Page, http://www.surefire.com/maxexp/main/co_disp/displ/carfnbr/265/sesent/00.

SureFire, "Rifle, Carbine & SMG Light Systems," Millennium Universal Weapon Lights provided by SureFire, © 2001-2004, Printed Oct. 28, 2004, 1 Pages, http://www.surefire.com/maxexp/main/co_disp/displ/carfnbr/267/sesent/00.

SureFire, "Rifle, Carbine & SMG Light Systems," Millennium Vertical Foregrip System provided by SureFire, © 2001-2004, Printed Oct. 28, 2004, 1 Page, http://www.surefire.com/maxexp/main/co_disp/displ/carfnbr/266/sesent/00.

SureFire, "Rifle, Carbine & SMG Light Systems," Classic Series Weapon Lights provided by SureFire, © 2001-2004, Printed Oct. 28, 2004, 1 Page, http://www.surefire.com/maxexp/main/co_disp/displ/carfnbr/271/sesent/00.

SureFire, "Weapon Mounts," SureFire Weapon Mounts, © 2001-2004, Printed Oct. 28, 2004, 1 Page, http://www.surefire.com/maxexp/main/co_disp/displ/pgrfnbr/378/sesent/00.

SureFire, "Products Weapon Mounts," Picatinny forends provided by SureFire, © 2001-2004, http://www.surefire.com/maxexp/main/co_disp/displ/carfnbr/312/sesent/00, Printed Oct. 28, 2004, 1 Page.

(56)

References Cited

OTHER PUBLICATIONS

SureFire, "Products Weapon Mounts," S.I.R. System C (Selective Integrated Rail)—M61 available from SureFire, © 2001-2004, Printed Oct. 28, 2004, 1 Page, http://www.surefire.com/maxexp/main/co_disp/displ/prfnbr/824/sesent/00.

Falcon Tactical, "Sig Sauer Stoplite Vertical Grip with Weaponlight", <http://www.falcontactical.net/sigsastvegrw.html>, © 2006-2009, 2 pages.

Laserlyte, "Sight TGL DB .380/9MM Tan", printed Jan. 13, 2015, 4 pages, <http://www.laserlyte.com/products/sight-tgl-diamondback-380-9mm-tan>.

Laserlyte, "Glock Lasers", printed Jan. 13, 2015, 1 page, <http://www.laserlyte.com/collections/glock>.

Laserlyte, "Springfield XD/XDM/XDS Lasers", printed Jan. 13, 2015, 1 page, <http://www.laserlyte.com/collections/xd-xdm-xds>.

Laserlyte, "SCCY Laser Sight", printed Jan. 13, 2015, 1 page, <http://www.laserlyte.com/collections/sccy-laser-sight>.

Laserlyte, "Hi-Point Laser", printed Jan. 13, 2015, 1 page, <http://www.laserlyte.com/collections/hi-point-laser>.

Laserlyte, "Closeouts", printed Jan. 13, 2015, 1 page, <http://www.laserlyte.com/collections/discontinued-closeouts>.

Laserlyte, "UTA-DB Diamondback Laser", Rev Aug. 2013, 2 pages.

Diodes Incorporated, "PAM2804 1A Step Down Constant Current, High Efficiency LED Driver", Jan. 2013, 10 pages.

Microchip Technology, Inc., "PIC12F7525/HV752 Data Sheet, 8-Pin, Flash-Based 8-Bit CMOS Microcontrollers", © 2011, 210 pages.

Crimson Trace Corporation, "Crimson Trace CMR-202 Rail Master", Instruction Handbook, 27-1455 REV001 Apr. 2012, 2 pages.

European Patent Office, "European Search Report, EP Application No. 16150798", dated May 19, 2016, 8 pages.

Streamlight, Inc., "TLR-6 Subcompact Gun-Mounted Tactical Light With Integrated Red Aiming Laser", © 2016, 5 pages, www.streamlight.com.

Crimson Trace Corporation, "LTG-736 Lightguard for Glock Full-Size and Compact", © 2016, 3 pages, <http://www.crimsontrace.com/>.

Crimson Trace Corporation, "LG-452 Laserguard Green Laser Sight for Glock Full-Size and Compact", © 2016, 7 pages, <http://www.crimsontrace.com/>.

Crimson Trace Corporation, "DS-121 Defender Series Accuguard Laser Sight for Glock Full-Size and Compact", © 2016, 10 pages, <http://www.crimsontrace.com/products/manufacture/glock/01-5100>.

Streamlight, Inc., "Modular Light Mountable on a Handgun", U.S. Appl. No. 15/283,788, filed Oct. 3, 2016, 61 pages.

Streamlight, Inc., "Mountable Light", Design U.S. Appl. No. 29/623,320, filed Oct. 24, 2017, 18 pages.

Streamlight, Inc., "Portable and/or Mountable Light", U.S. Appl. No. 15/817,986, filed Nov. 20, 2017, 84 pages.

Streamlight, Inc., "TLR-1 HL Super Bright, 800 Lumen LED Tactical Weapon Light", Product Specifications, 2 pages, date prior to Oct. 24, 2017, www.streamlight.com.

Streamlight, Inc., "TLR-1 HL High Lumen, Rail-Mounted Tactical Light", Data Sheet, 1 page, dated Jan. 2016, www.streamlight.com.

Streamlight, Inc., "TLR-2 HL Super Bright, 800 Lumen LED Tactical Weapon Light with Red Aiming Laser", Product Specifications, 2 pages, date prior to Oct. 24, 2017, www.streamlight.com.

Streamlight, Inc., "TLR-2 HL/TLR-2 HL G High Lumen, Rail-Mounted Tactical Light with Aiming Laser", Data Sheet, 1 page, dated Jan. 2016, www.streamlight.com.

Streamlight, Inc., "TLR-3 Compact Tactical Weapon-Mounted Light", Product Specifications, 2 pages, date prior to Oct. 24, 2017, www.streamlight.com.

Streamlight, Inc., "TLR-4 Compact Tactical Light with Integrated Red Aiming Laser", Product Specifications, 2 pages, date prior to Oct. 24, 2017, www.streamlight.com.

Streamlight, Inc., "TLR-VIR Infrared Tactical Weapons Light", Product Specifications, 2 pages, date prior to Oct. 24, 2017, www.streamlight.com.

Streamlight, Inc., "TLR-VIR, Rail-Mounted Tactical Light with Visible White Light and IR Illuminator", Data Sheet, 1 page, dated Jun. 2016, www.streamlight.com.

Streamlight, Inc., "TLR-VIR Pistol Infrared Tactical Weapons Light", Product Specifications, 2 pages, date prior to Oct. 24, 2017, www.streamlight.com.

Streamlight, Inc., "TLR-6 Trigger Guard Mounted Weapon Light with Integrated Red Aiming Laser", Product Specifications, 2 pages, date prior to Oct. 24, 2017, www.streamlight.com.

Streamlight, Inc., "TLR-6 Subcompact Gun-Mounted Tactical Light with Integrated Red Aiming Laser", Data Sheet, 2 pages, dated Mar. 2017, www.streamlight.com.

O-light, "Photo of PL-Mini 2 Valkyrie", date prior to Jul. 23, 2019 filing date, 1 page.

SureFire, "XC1-B Ultra-Compact LED Handgun Light", date prior to Jul. 23, 2019 filing date, 2 pgs, <https://www.surefire.com/illumination/weaponlights/handgun/xc1-led-weaponlight.html>.

SureFire, "XC2 Ultra-Compact LED Handgun Light and Laser Sight", <https://www.surefire.com/illumination/weaponlights/handgun/xc2-compact-led-handgun-light-with-laser.html>, date prior to Jul. 23, 2019 filing date, 2 pgs.

Bayco Products Inc., "NightStick TCM-550XL Compact Tactical Weapon-Mounted Light", © 2019, <https://www.baycoproducts.com/product/weapon-mounted-lights/item/tcm-550xl>, date prior to Jul. 23, 2019 filing date, 5 pages.

Bayco Products Inc., "NightStick TWM-850XL Xtreme Lumens Tactical Weapon-Mounted Light", © 2019, <https://www.baycoproducts.com/product/weapon-mounted-lights/item/tcm-550xl>, date prior to Jul. 23, 2019 filing date, 5 pages.

Streamlight, Inc., "Mountable Light", Design U.S. Appl. No. 29/692,354, filed May 24, 2019, 27 pages.

Streamlight, Inc., "Mountable Light", Design U.S. Appl. No. 29/692,361, filed May 24, 2019, 27 pages.

Streamlight, Inc., "Mountable Light", Design U.S. Appl. No. 29/699,103, filed Jul. 23, 2019, 27 pages.

Streamlight, Inc., "Mountable Light", Design U.S. Appl. No. 29/699,109, filed Jul. 23, 2019, 27 pages.

Streamlight, Inc., "Mountable Light", Design U.S. Appl. No. 29/699,113, filed Jul. 23, 2019, 27 pages.

Streamlight, Inc., "Mountable Light", Design U.S. Appl. No. 29/699,118, filed Jul. 23, 2019, 27 pages.

* cited by examiner

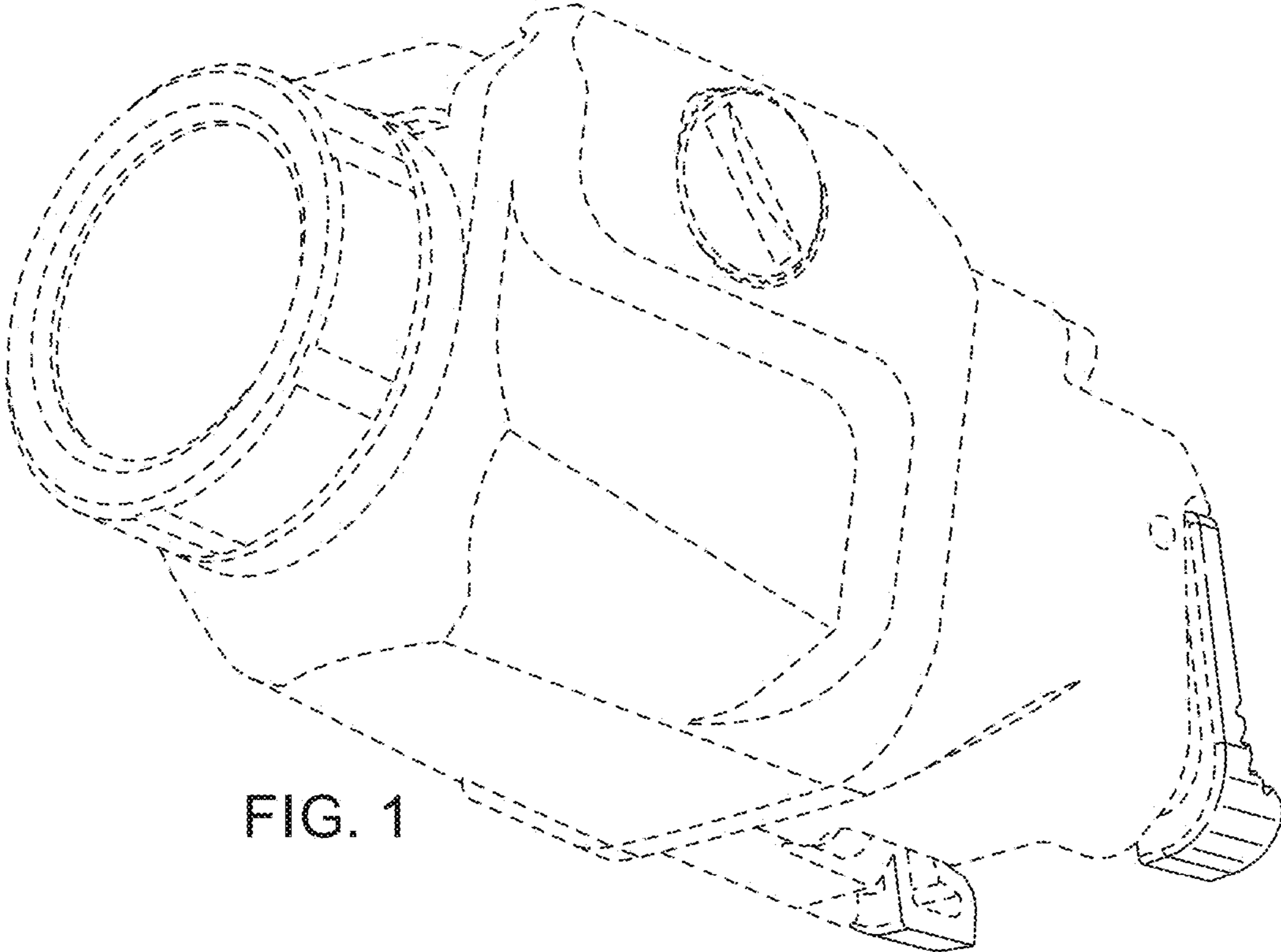


FIG. 1

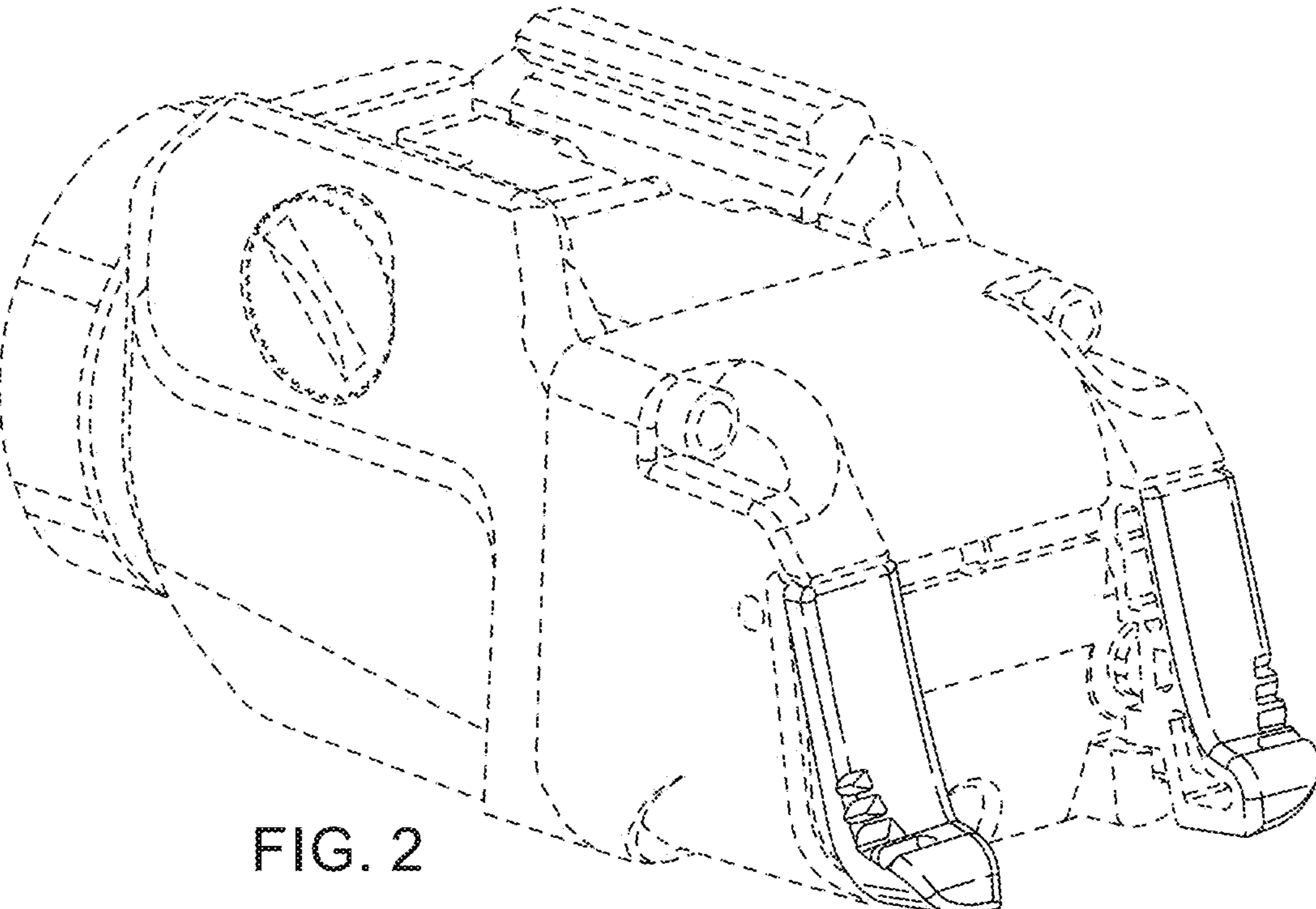


FIG. 2

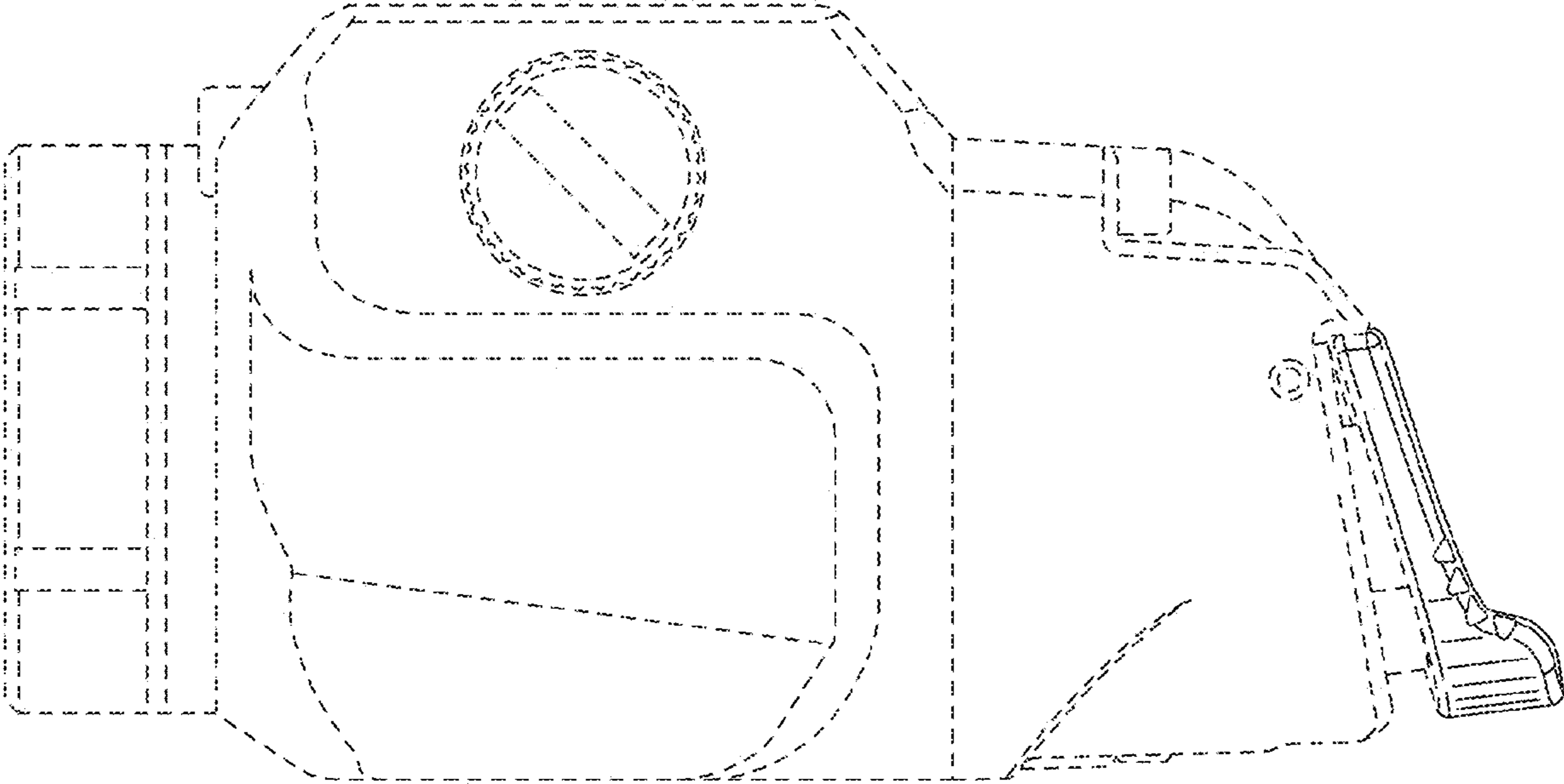


FIG. 3

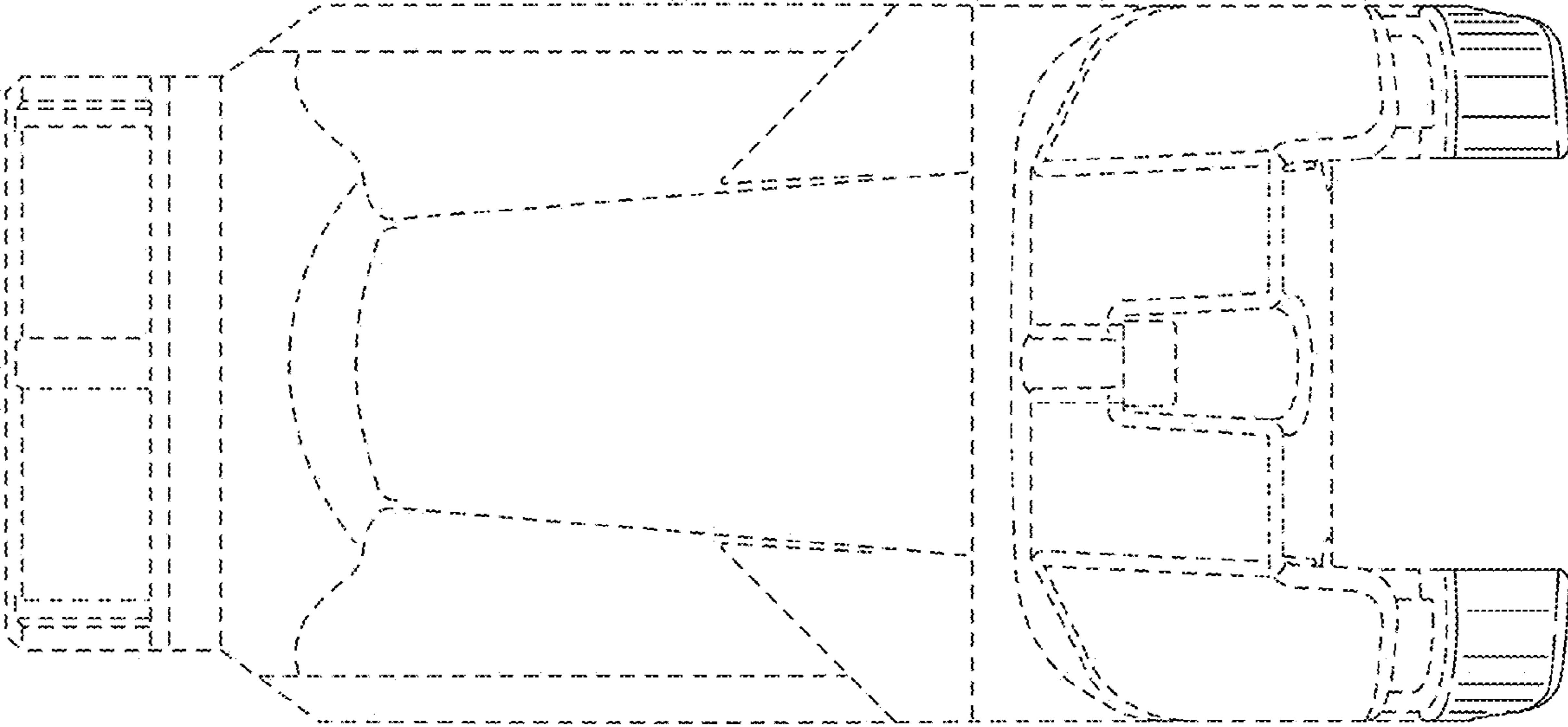


FIG. 4

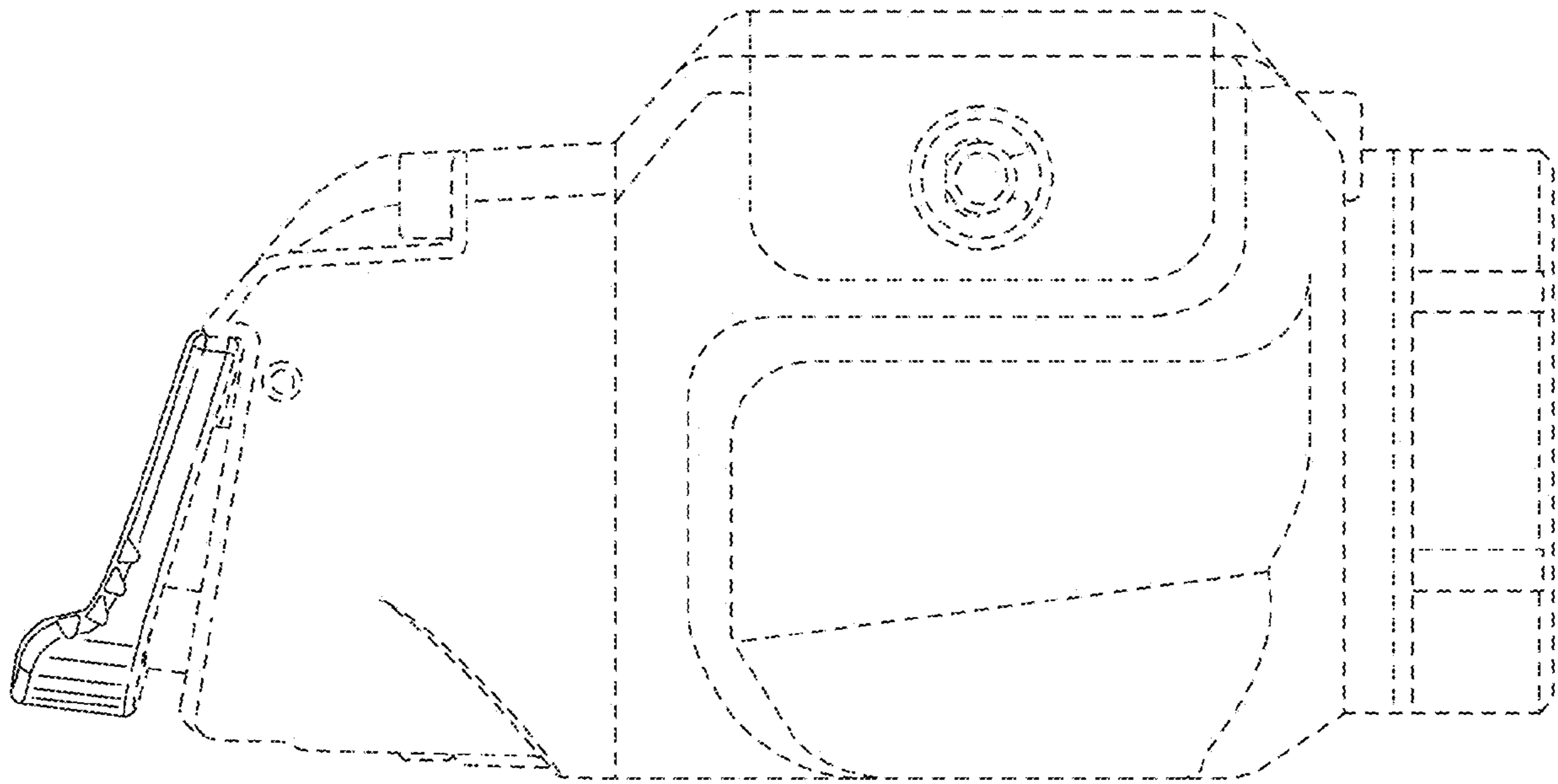


FIG. 5

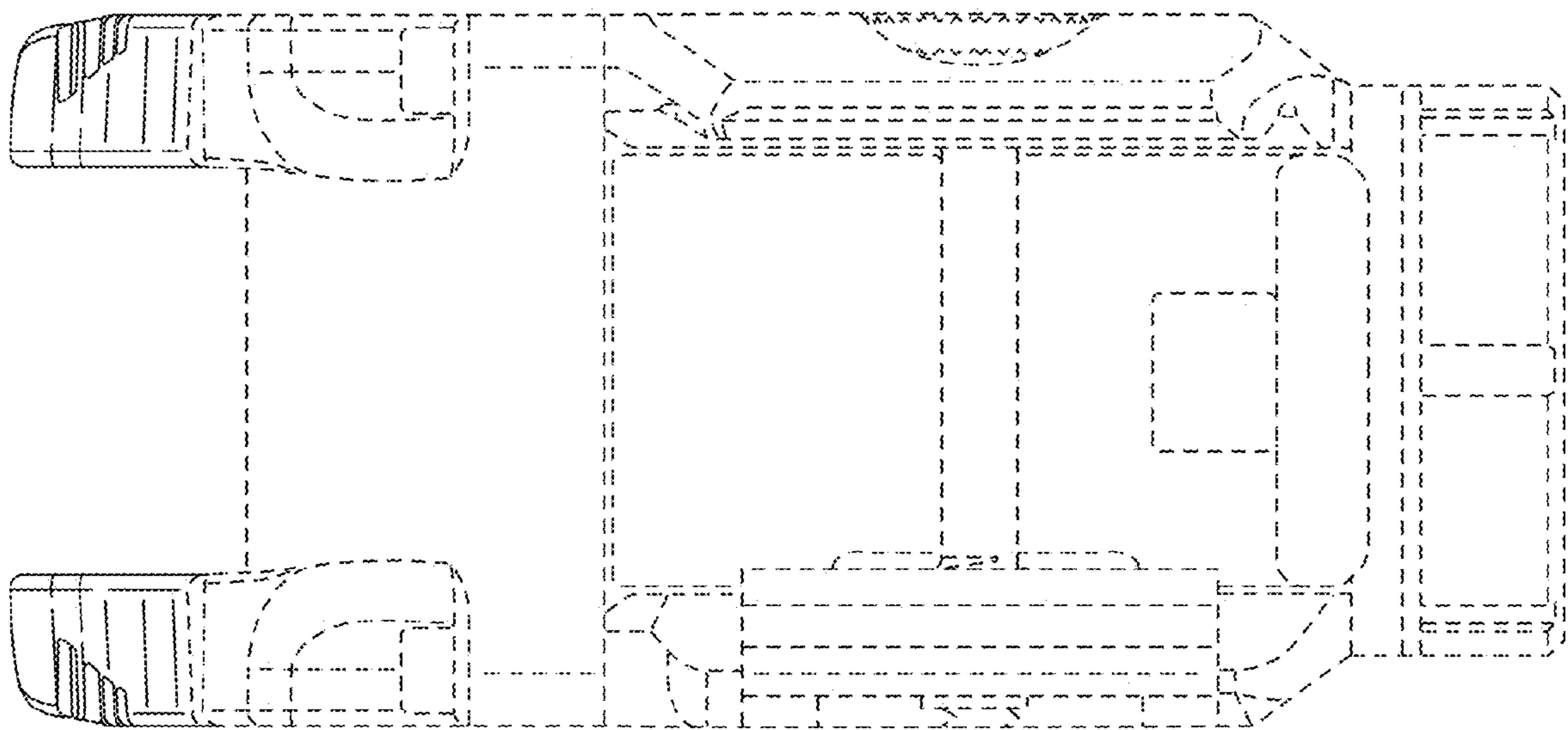


FIG. 6

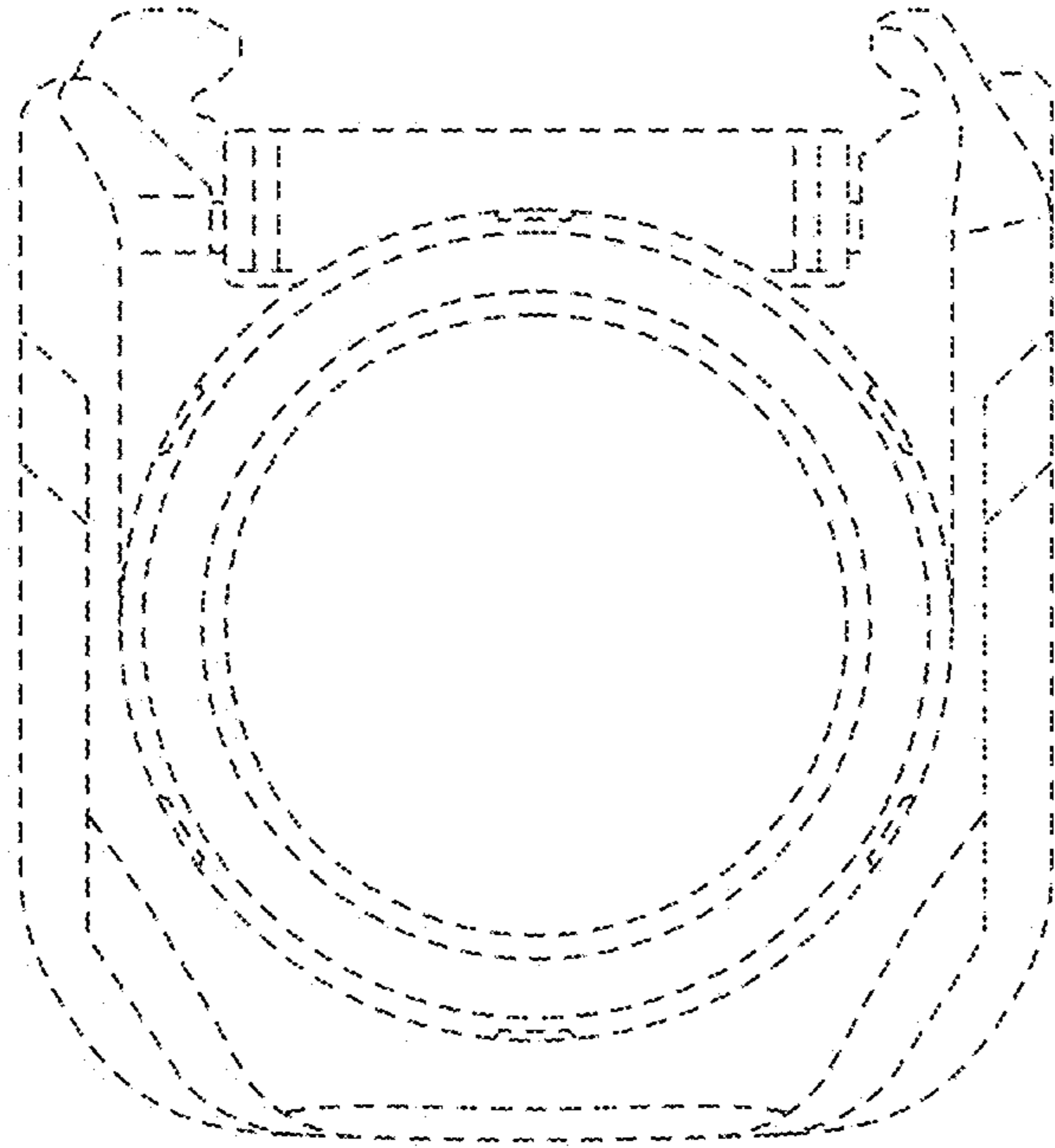


FIG. 7

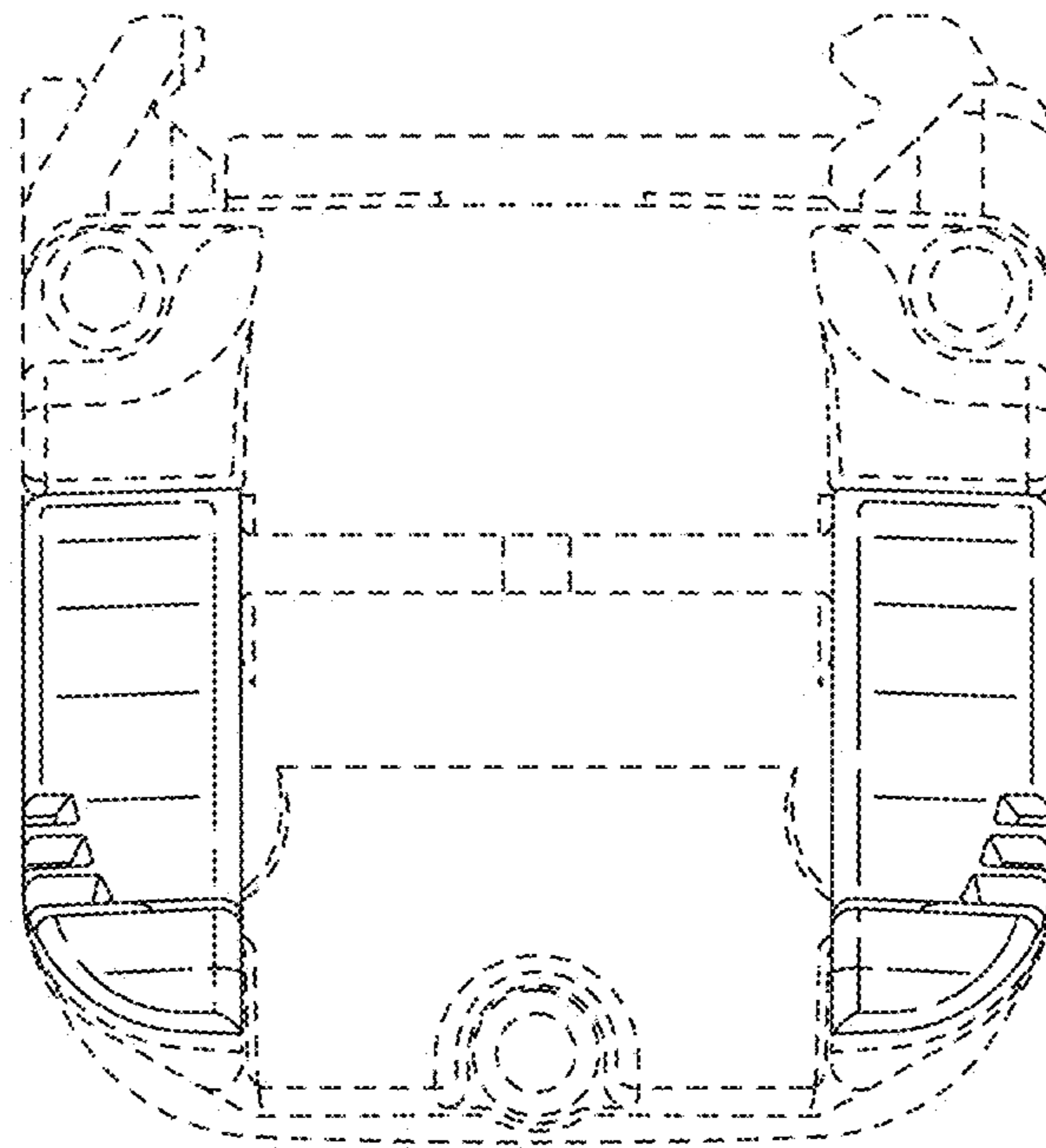


FIG. 8