



US00D919148S

(12) **United States Design Patent** (10) **Patent No.:** **US D919,148 S**
Shirota (45) **Date of Patent:** **** May 11, 2021**

(54) **HEADLAMP FOR A BICYCLE**
(71) Applicant: **Cateye Co., Ltd.**, Osaka (JP)
(72) Inventor: **Ryuya Shirota**, Osaka (JP)
(73) Assignee: **CATEYE CO., LTD.**, Osaka (JP)
(**) Term: **15 Years**

D609,379 S * 2/2010 Lee D26/60
D646,818 S * 10/2011 Ueda D26/60
D662,636 S * 6/2012 Katsaros D26/60
D667,580 S * 9/2012 Lee D26/60
D670,838 S * 11/2012 Ueda D26/28
D696,804 S * 12/2013 Ma D26/60
D733,948 S 7/2015 Liao et al.
D809,692 S 2/2018 Tsao
D810,339 S * 2/2018 Peng D26/60
D814,677 S * 4/2018 Sukphisit D26/60
D867,630 S * 11/2019 Benoit D26/28

(21) Appl. No.: **29/705,543**

(22) Filed: **Sep. 12, 2019**

(30) **Foreign Application Priority Data**

Apr. 23, 2019 (JP) 2019-009066

(51) **LOC (13) Cl.** **26-05**

(52) **U.S. Cl.**
USPC **D26/60**

(58) **Field of Classification Search**
USPC D26/1, 24, 39, 60, 61-66, 72, 97; D8/72,
D8/73, 394, 396; D10/104.1, 106.1,
D10/114.1, 114.2, 114.3; 362/157, 171,
362/362, 365, 368, 370, 473, 474, 486
CPC F21W 2107/00; F21W 2107/13; F21W
2107/17; F21S 9/00; F21S 9/02; F21S
9/22; F21S 41/18; F21S 41/19; F21S
41/192-198; F21S 8/00; F21S 8/02; F21S
8/03; F21S 8/06; F21S 8/003; F21S
8/043; F21V 15/01; F21V 15/04

See application file for complete search history.

(56) **References Cited**

U.S. PATENT DOCUMENTS

D346,230 S * 4/1994 Ueda D26/28
D498,550 S * 11/2004 Chen D26/28
D523,984 S * 6/2006 Cai D26/61
D541,447 S * 4/2007 Ueda D26/28
D590,535 S * 4/2009 Wnek D26/66
D608,483 S 1/2010 Lee
D609,378 S 2/2010 Lee

FOREIGN PATENT DOCUMENTS

TW D150475 S 11/2012
TW D185129 S 8/2017

OTHER PUBLICATIONS

Notice of Allowance issued in Taiwanese Design Application No. 108305452 dated Feb. 20, 2020.

Primary Examiner — Wan Laymon
Assistant Examiner — Clint A Samuel
(74) *Attorney, Agent, or Firm* — Morgan, Lewis & Bockius LLP

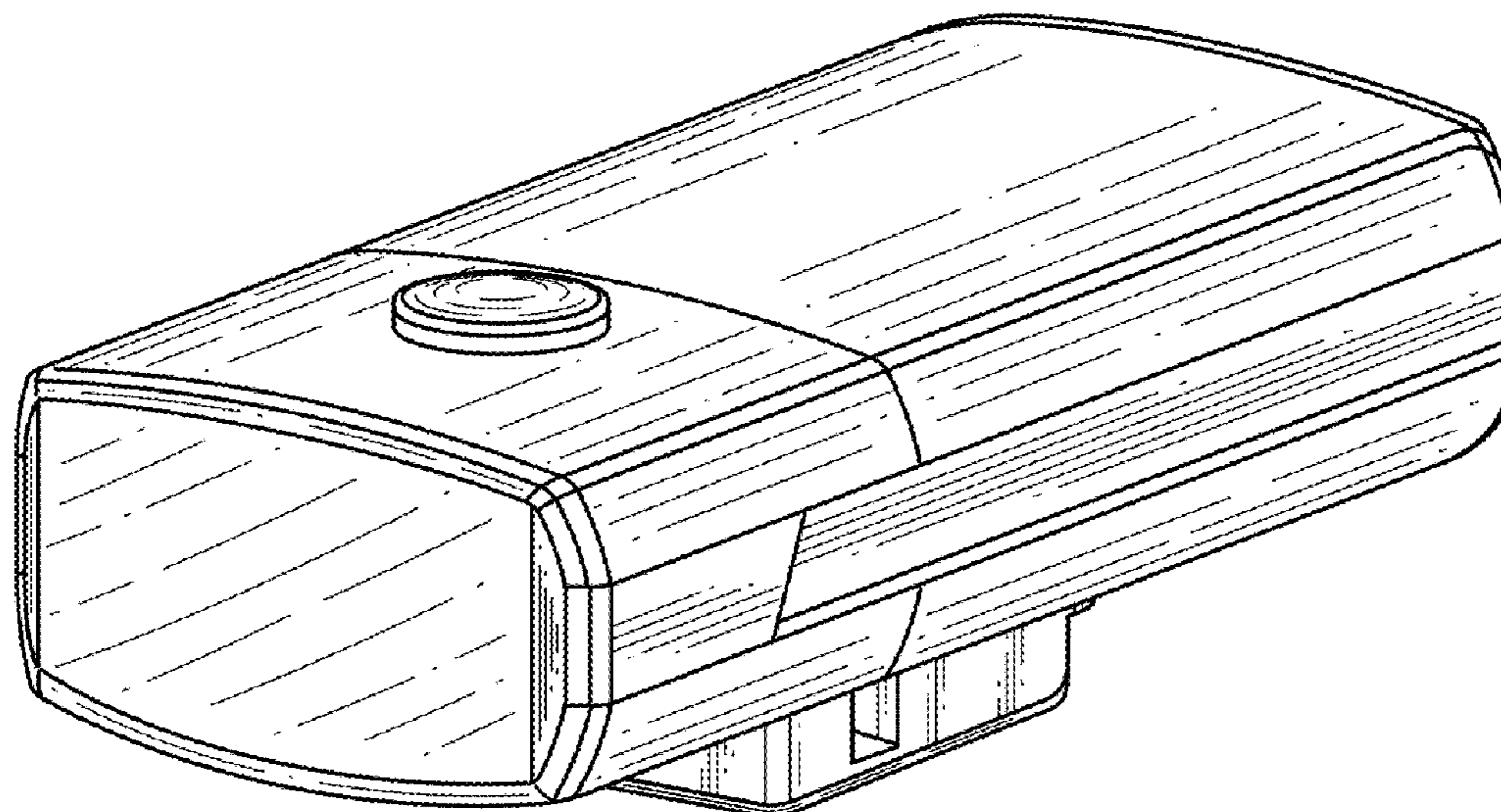
(57) **CLAIM**

The ornamental design for a headlamp for a bicycle, as shown.

DESCRIPTION

FIG. 1 is a perspective view of a headlamp for a bicycle showing my new design;
FIG. 2 is a front elevational view thereof;
FIG. 3 is a rear elevational view thereof;
FIG. 4 is a right side view thereof;
FIG. 5 is a left side view thereof;
FIG. 6 is a top plan view thereof; and,
FIG. 7 is a bottom plan view thereof.

1 Claim, 5 Drawing Sheets



(56)

References Cited

U.S. PATENT DOCUMENTS

D891,665 S * 7/2020 Nagano D26/60
2020/0269943 A1 * 8/2020 Mulvaney B62J 6/04

* cited by examiner

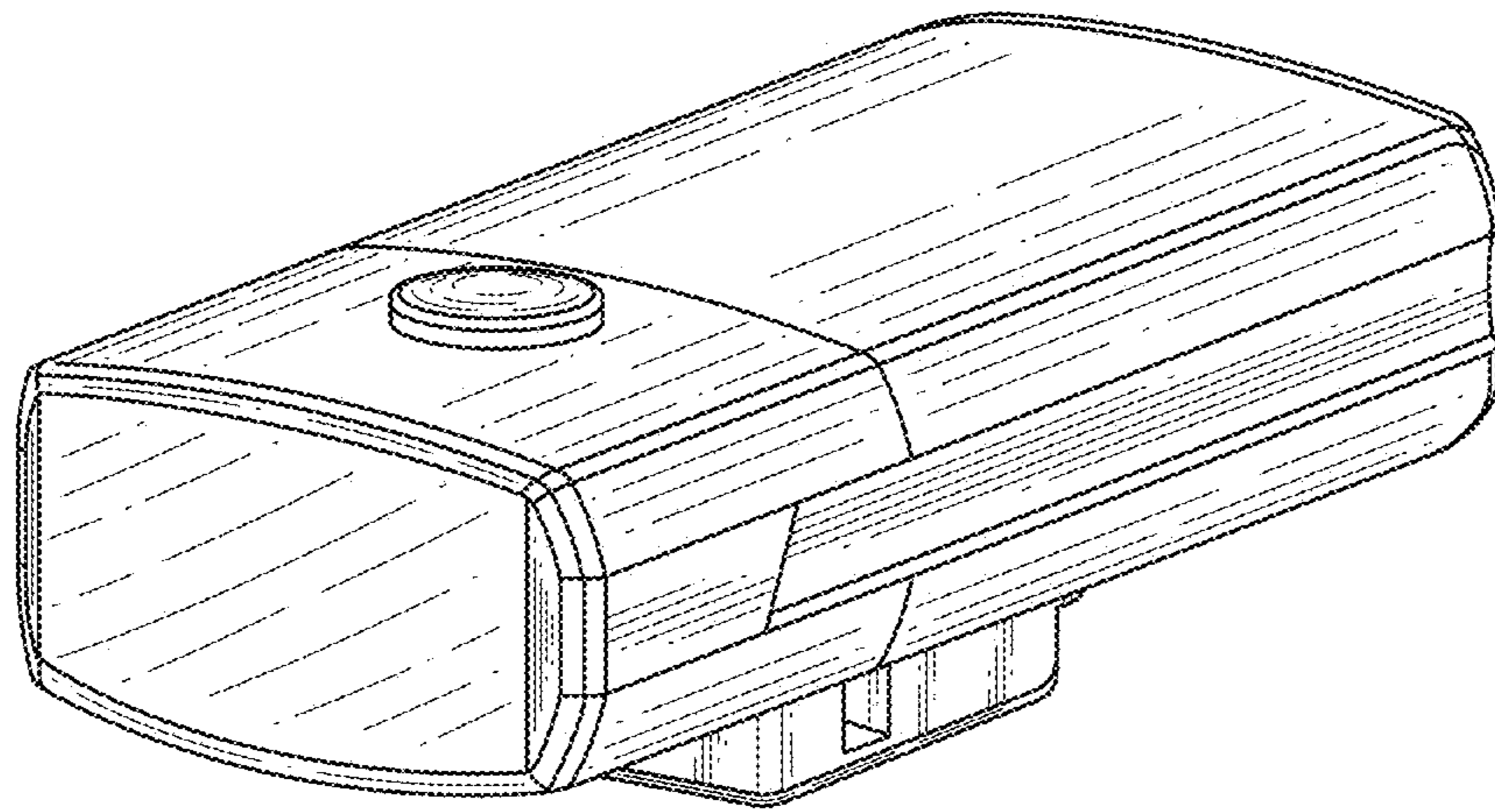


Fig. 1

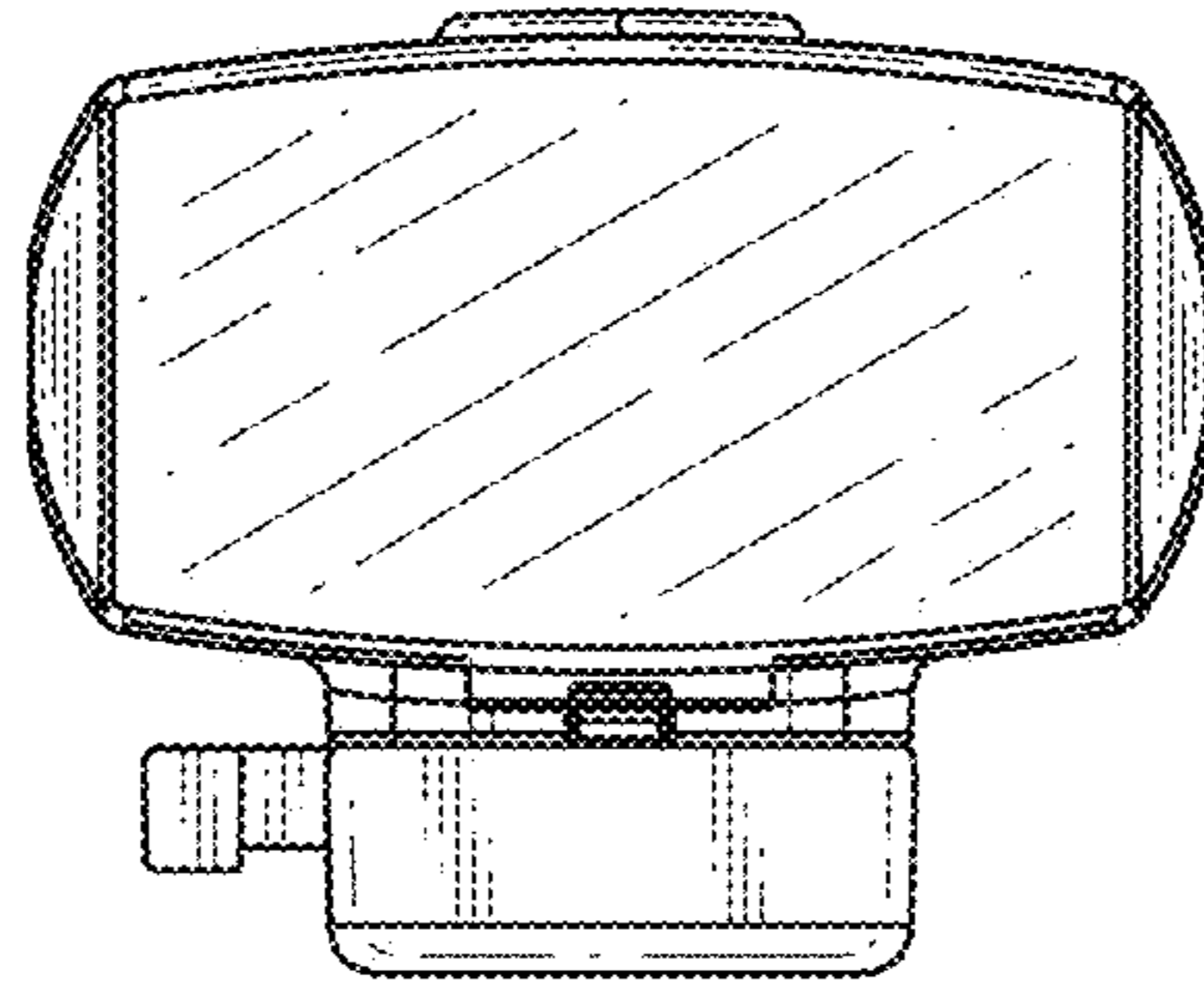


Fig. 2

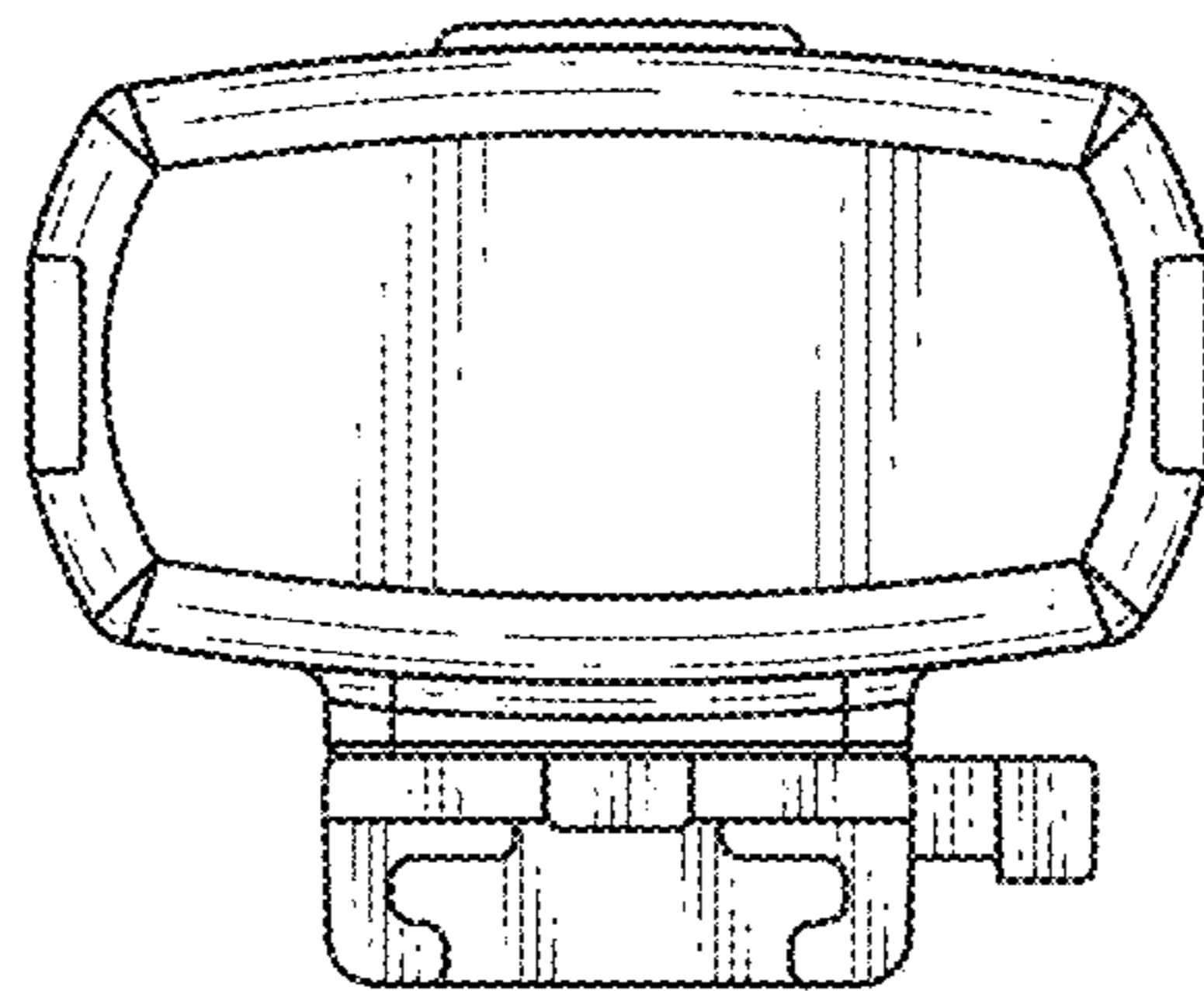


Fig. 3

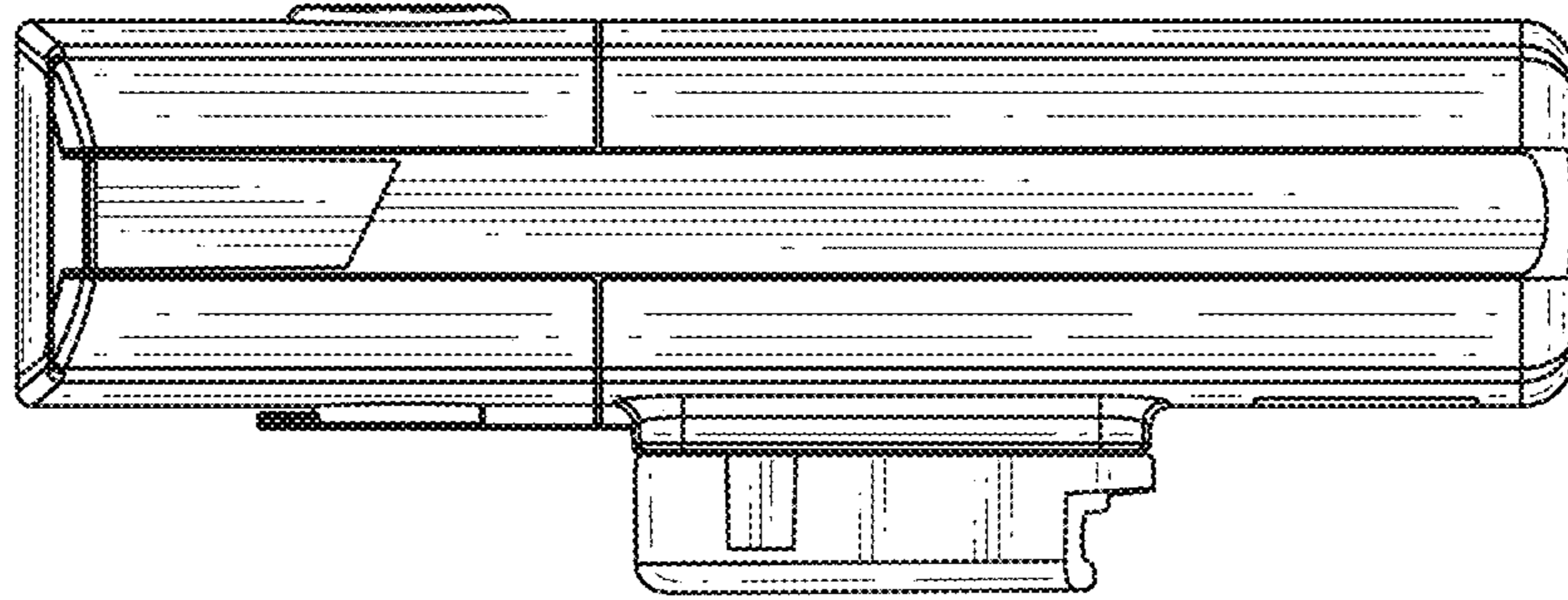


Fig. 4

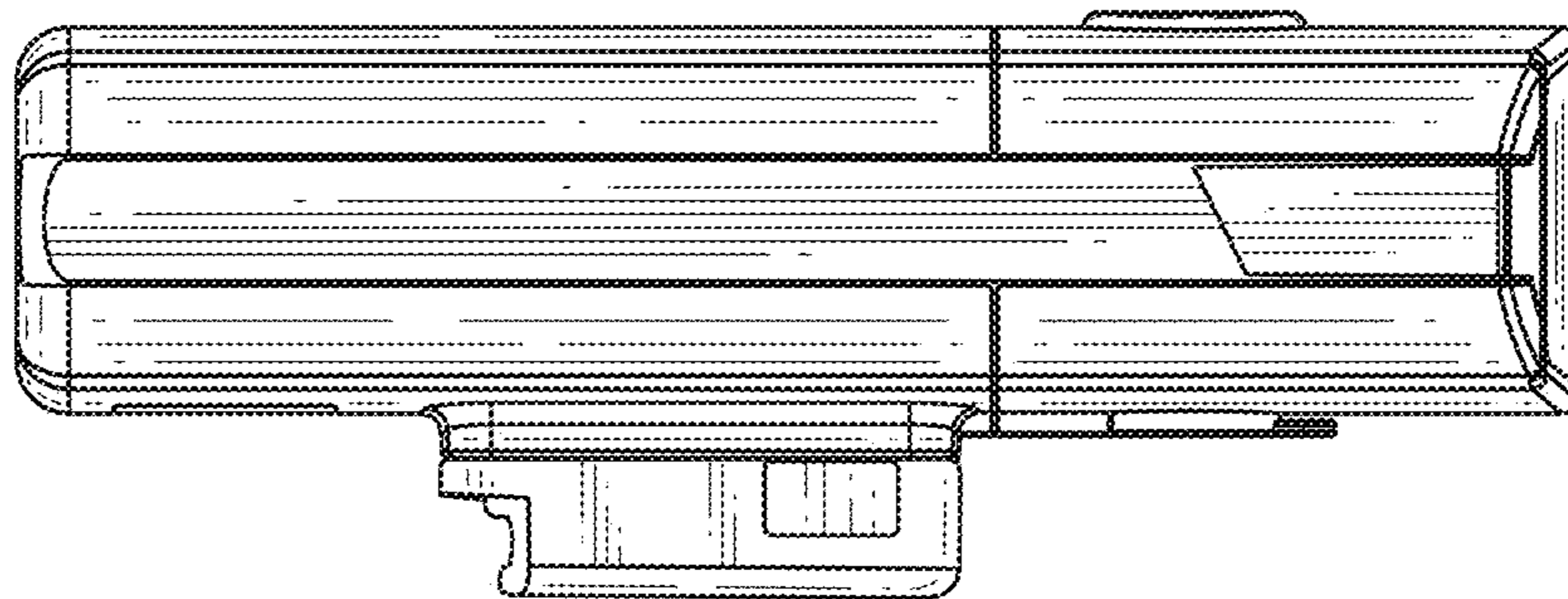


Fig. 5

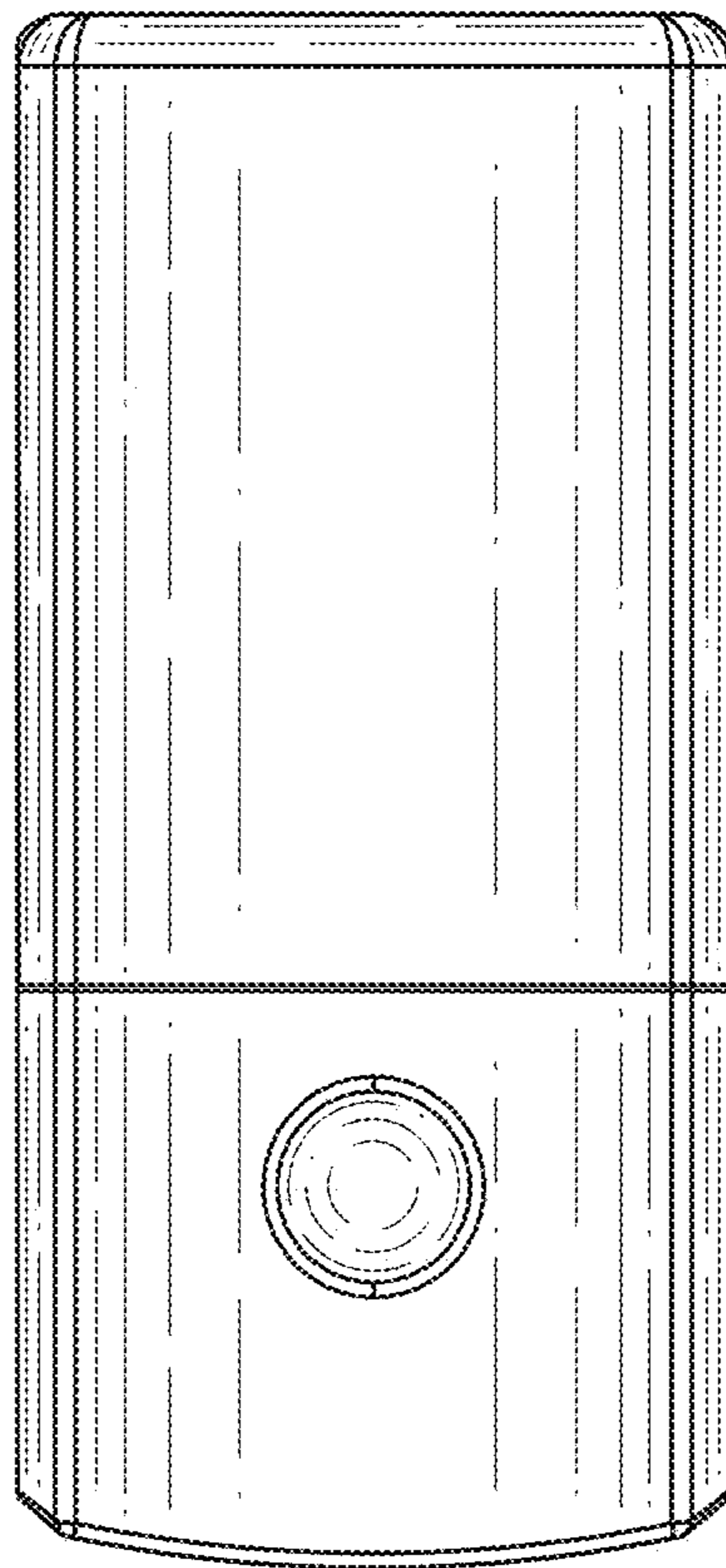


Fig. 6

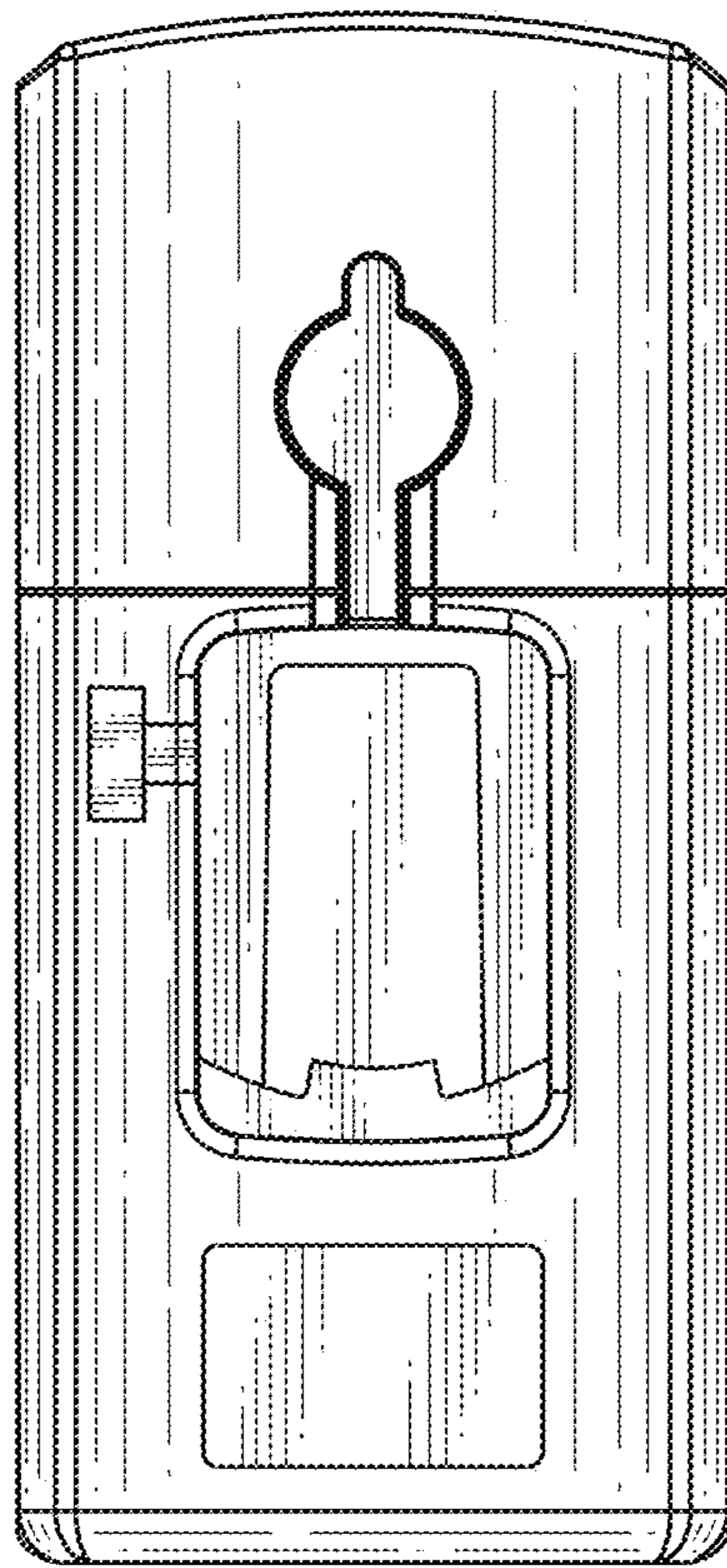


Fig. 7