



US00D919143S

(12) **United States Design Patent**
Gao

(10) **Patent No.:** **US D919,143 S**

(45) **Date of Patent:** **** May 11, 2021**

(54) **MOTION SENSOR RECHARGEABLE HEADLAMP**

(71) Applicant: **Hongtao Gao**, Laohekou (CN)

(72) Inventor: **Hongtao Gao**, Laohekou (CN)

(**) Term: **15 Years**

(21) Appl. No.: **29/745,994**

(22) Filed: **Aug. 11, 2020**

(51) **LOC (13) Cl.** **26-02**

(52) **U.S. Cl.**
USPC **D26/39**

(58) **Field of Classification Search**
USPC D26/37-51
CPC F21L 2/00; F21L 4/00; F21L 4/02; F21L 4/04; F21L 4/08; F21L 4/025; F21L 4/027; F21L 7/00; F21L 11/00; F21L 13/00; F21L 13/04; F21L 13/08; F21L 14/02; F21L 17/00; F21L 19/00; F21L 25/00

See application file for complete search history.

(56) **References Cited**

U.S. PATENT DOCUMENTS

D762,899 S * 8/2016 Green D26/39
D803,442 S * 11/2017 Green D26/39

D809,685 S 2/2018 Green et al.
D812,793 S 3/2018 Huang
D814,083 S * 3/2018 Green D26/39
D843,622 S * 3/2019 Karl, IV D26/39
D845,526 S * 4/2019 Windom D26/39

* cited by examiner

Primary Examiner — Marcus A Jackson

(74) *Attorney, Agent, or Firm* — ScienBiziP, P.C.

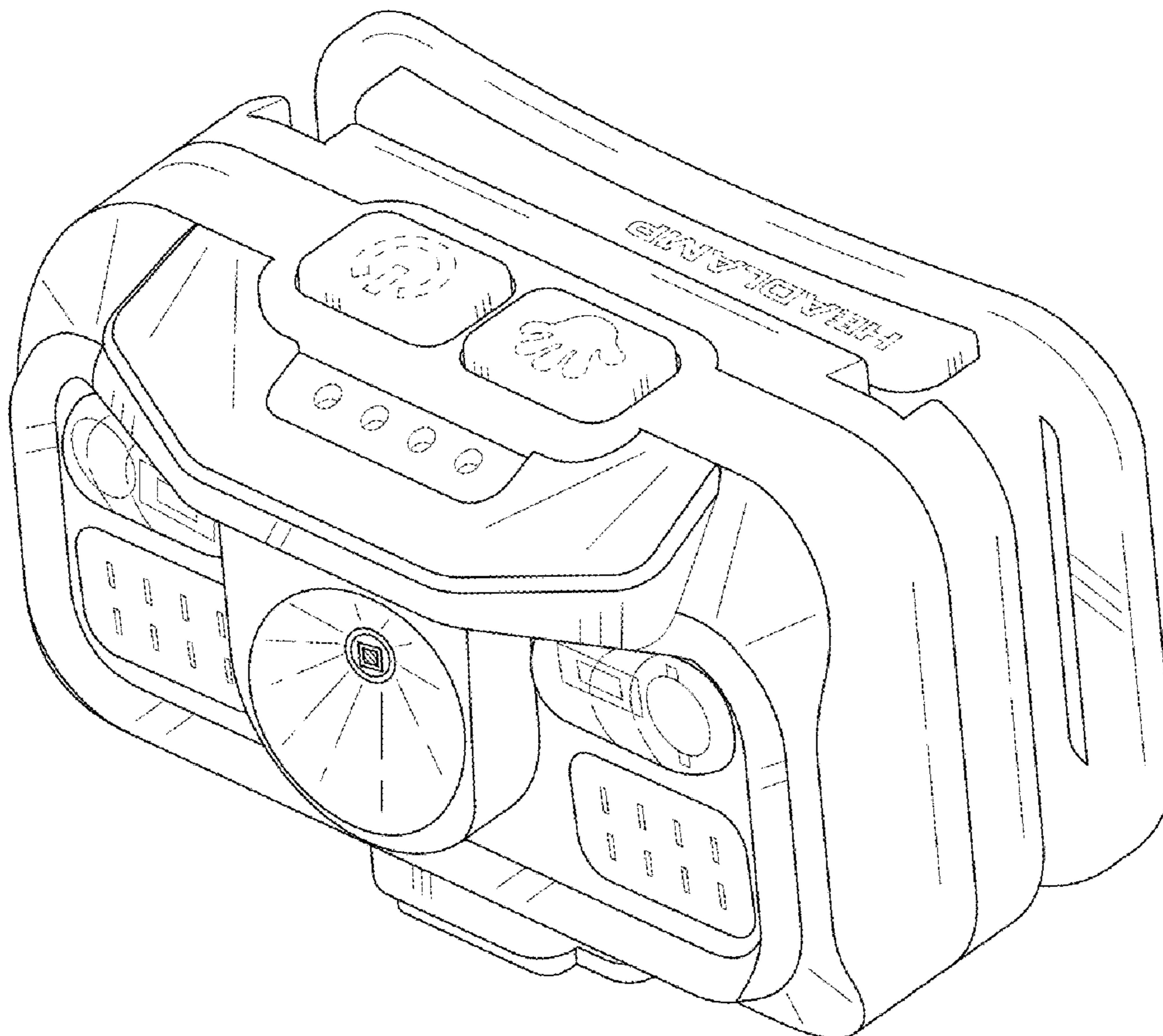
(57) **CLAIM**

The ornamental design for a motion sensor rechargeable headlamp, as shown and described.

DESCRIPTION

FIG. 1 is a front perspective view of a motion sensor rechargeable headlamp, showing my design.
FIG. 2 is a front elevation view thereof.
FIG. 3 is a rear elevation view thereof.
FIG. 4 is a left side elevation view thereof.
FIG. 5 is a right side elevation view thereof.
FIG. 6 is a top plan view thereof; and,
FIG. 7 is a bottom plan view thereof.
The broken lines in the drawings depict environmental structure and boundaries and form no part of the claimed design.

1 Claim, 7 Drawing Sheets



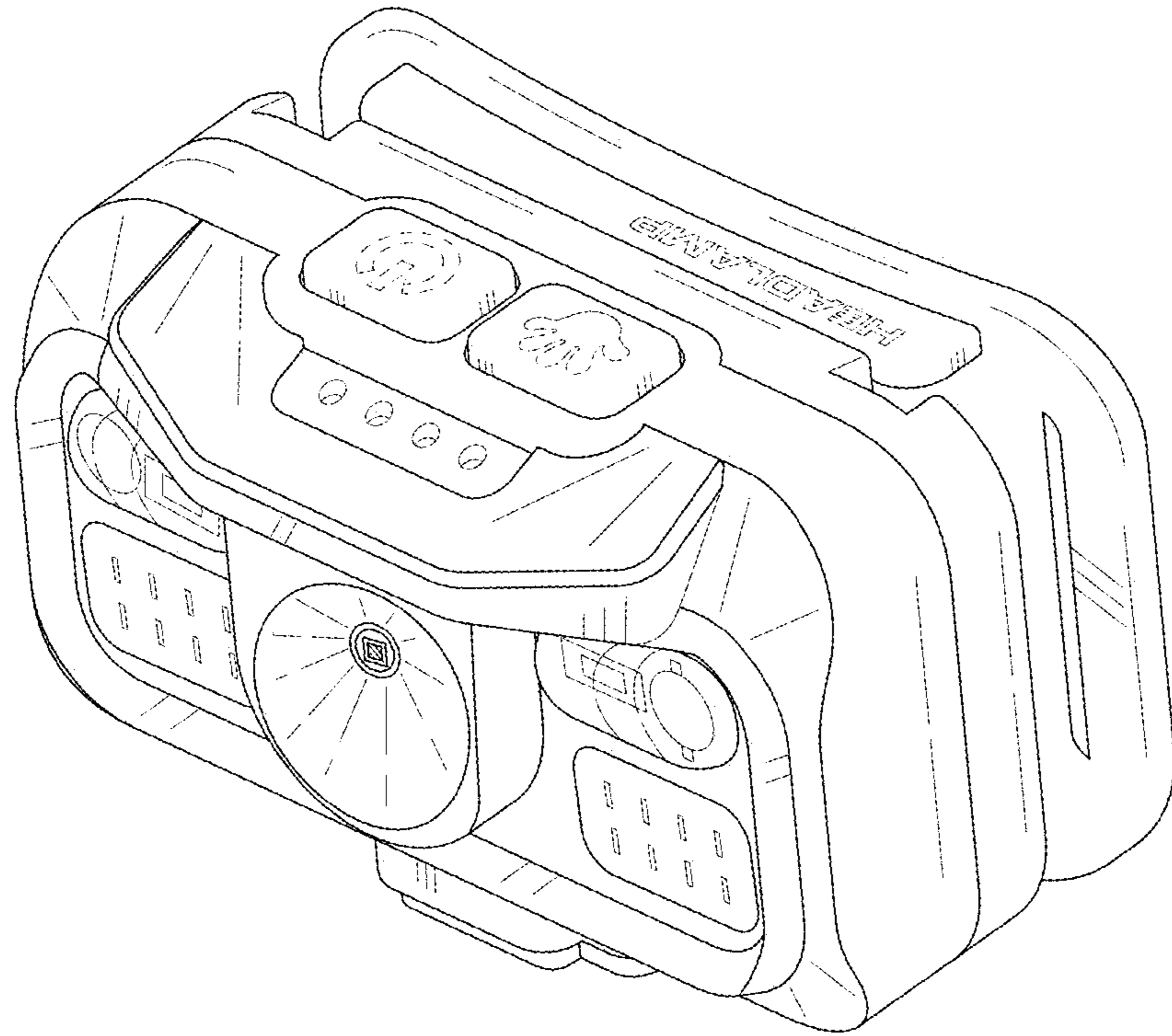


FIG.1

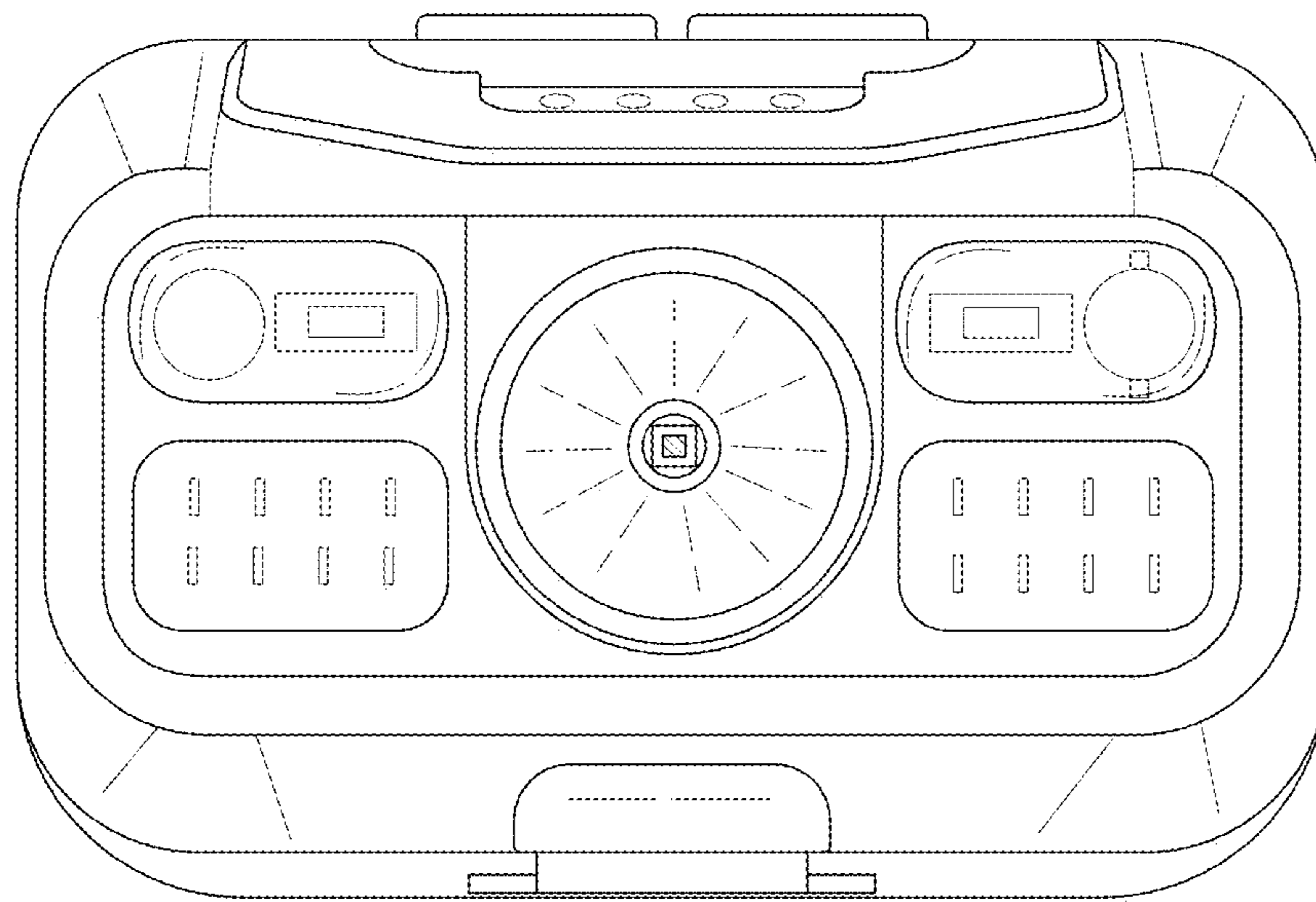


FIG.2

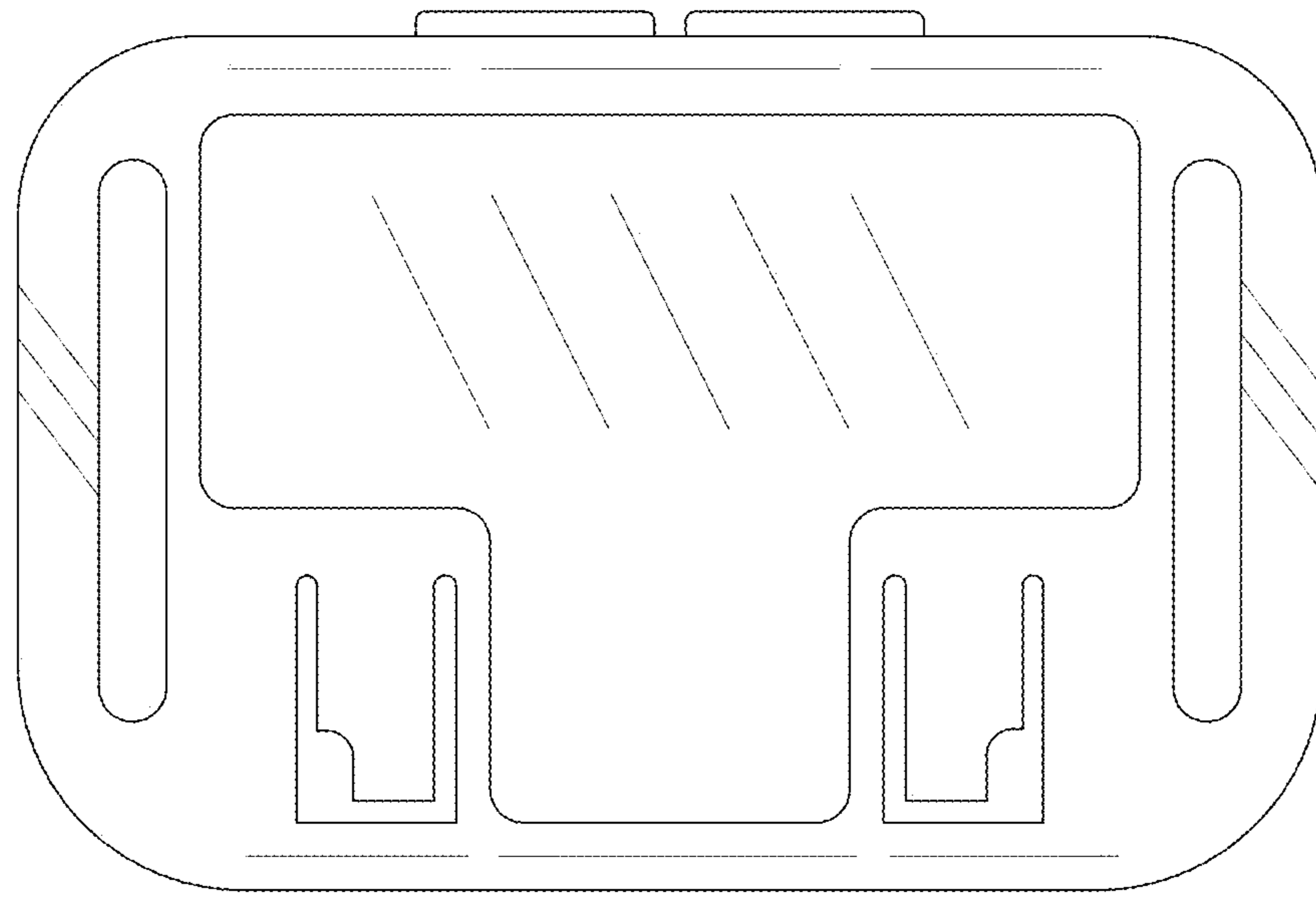


FIG.3

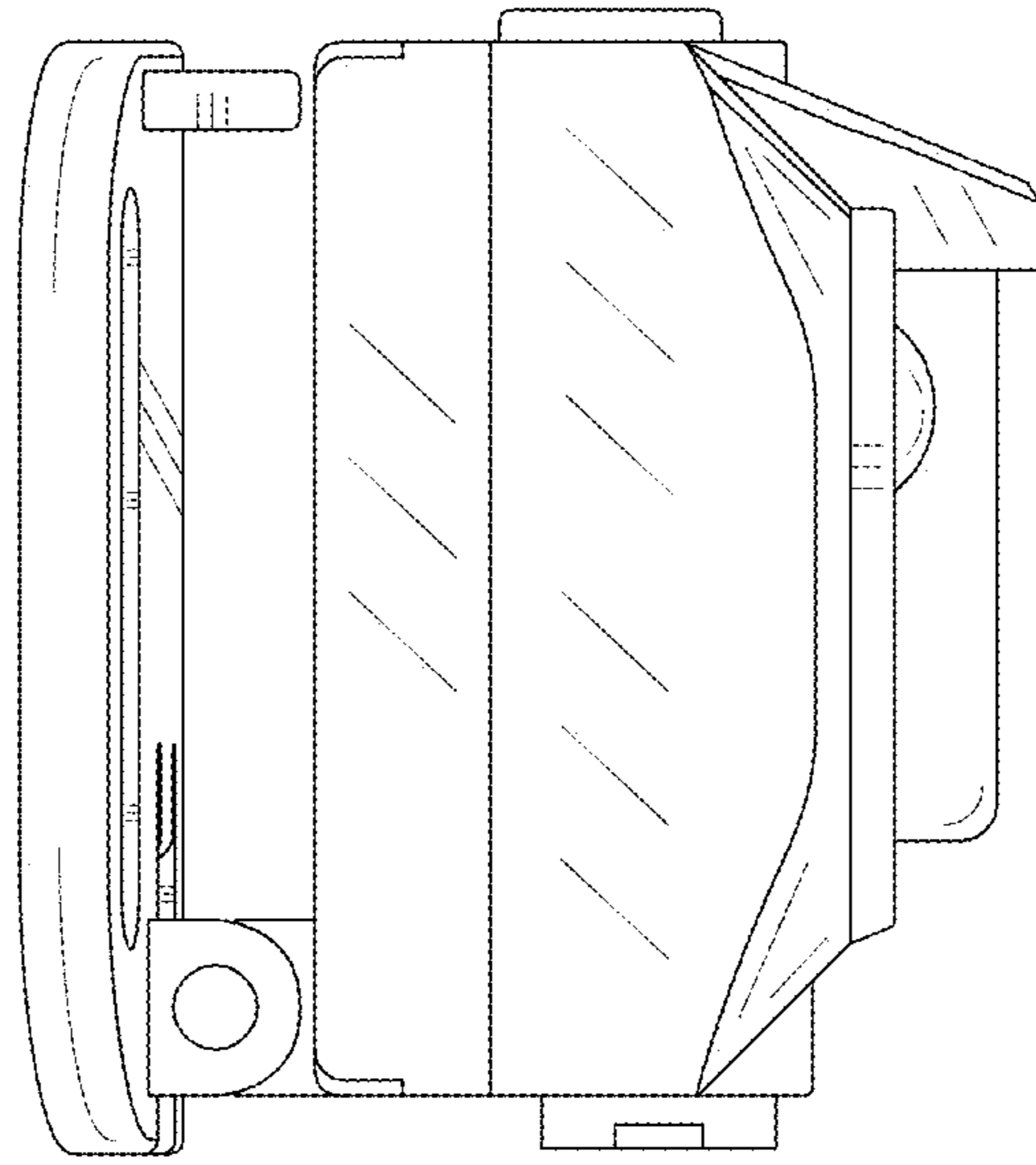


FIG.4

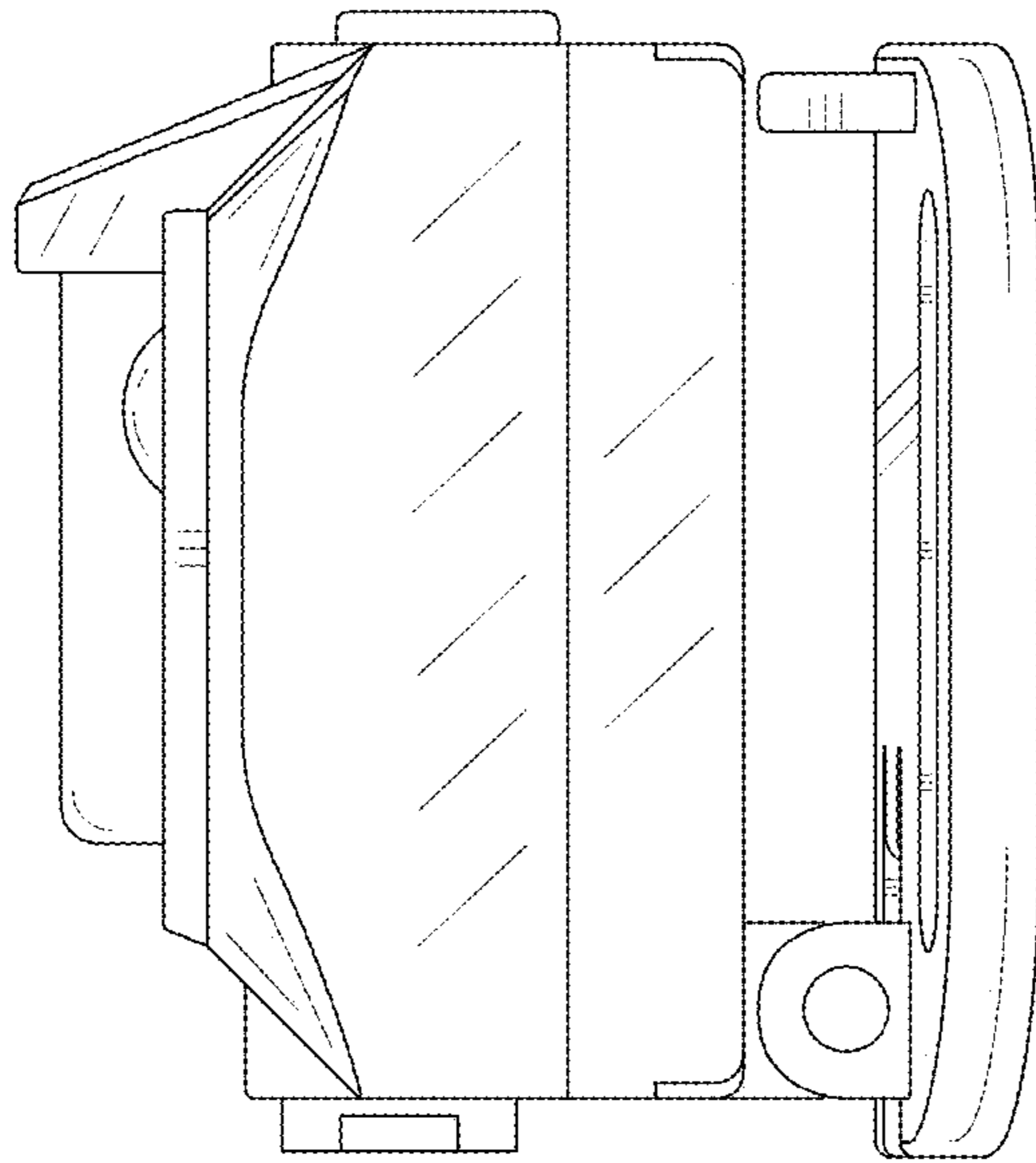


FIG.5

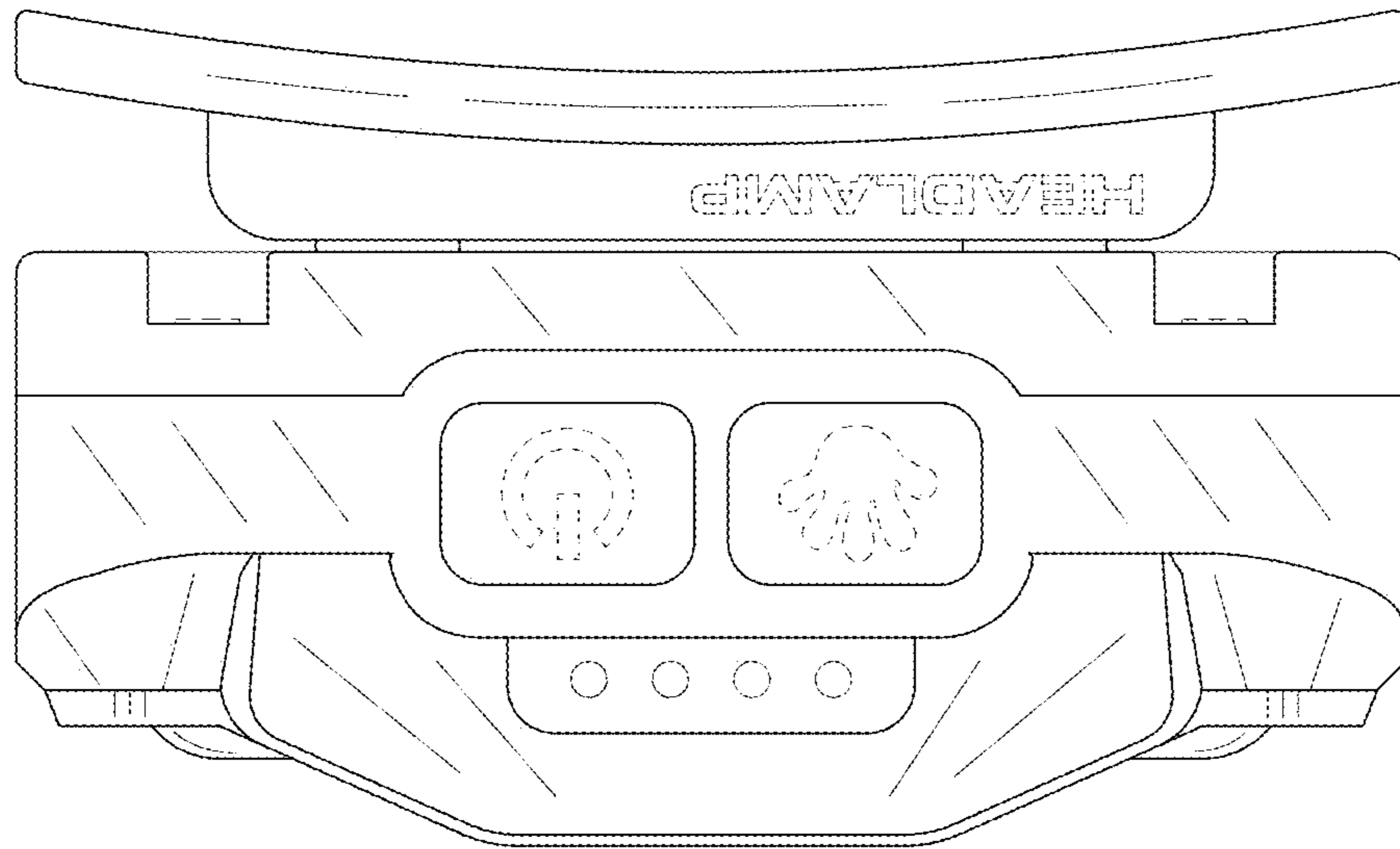


FIG.6

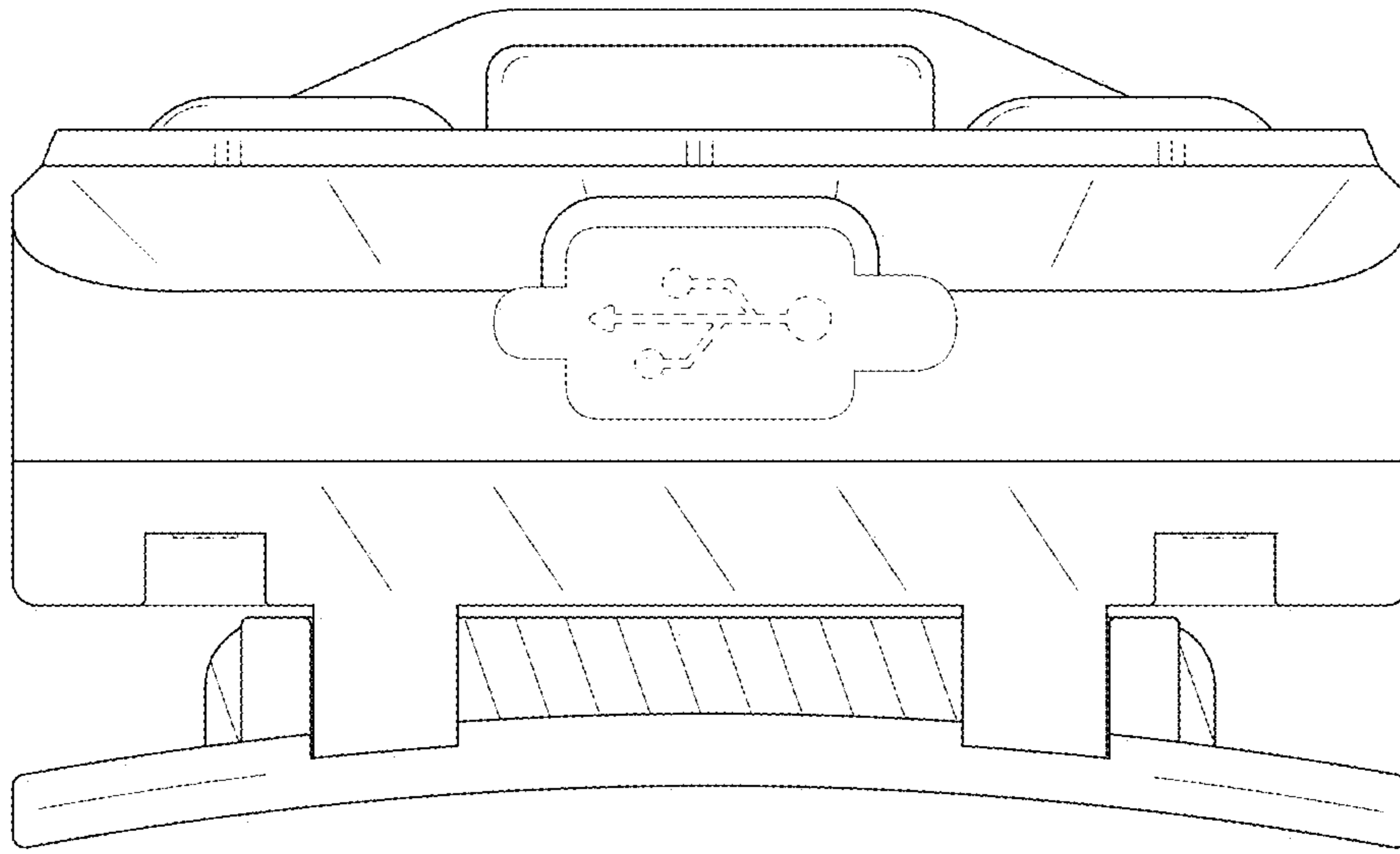


FIG.7