



US00D919142S

(12) **United States Design Patent**  
**Wu**

(10) **Patent No.:** **US D919,142 S**

(45) **Date of Patent:** **\*\* May 11, 2021**

(54) **BRAKE LIGHT**

(71) Applicant: **Fang Wu**, Yingcheng (CN)

(72) Inventor: **Fang Wu**, Yingcheng (CN)

(\*\*) Term: **15 Years**

(21) Appl. No.: **29/750,541**

(22) Filed: **Sep. 15, 2020**

(51) **LOC (13) Cl.** ..... **26-06**

(52) **U.S. Cl.**  
USPC ..... **D26/31**

(58) **Field of Classification Search**  
USPC ..... D26/28-36, 139  
CPC ..... F21S 48/00; F21S 48/10; F21S 48/115;  
F21S 48/225; F21S 48/1233; F21S  
48/1266; F21S 48/1388; F21S 48/2268;  
F21V 5/00; F21V 21/04; F21V 29/004;  
B60Q 9/13; B60Q 9/135; B60Q 9/1375  
See application file for complete search history.

(56) **References Cited**

**U.S. PATENT DOCUMENTS**

D400,992 S \* 11/1998 Ruminski ..... D26/31  
D459,010 S \* 6/2002 Holmberg ..... D26/31

D677,411 S \* 3/2013 Cervini ..... D26/31  
D849,286 S 5/2019 Lin  
D850,679 S \* 6/2019 Lin ..... D26/31  
D890,964 S 7/2020 Chen  
D890,971 S \* 7/2020 Chen ..... D26/31

\* cited by examiner

*Primary Examiner* — Marcus A Jackson

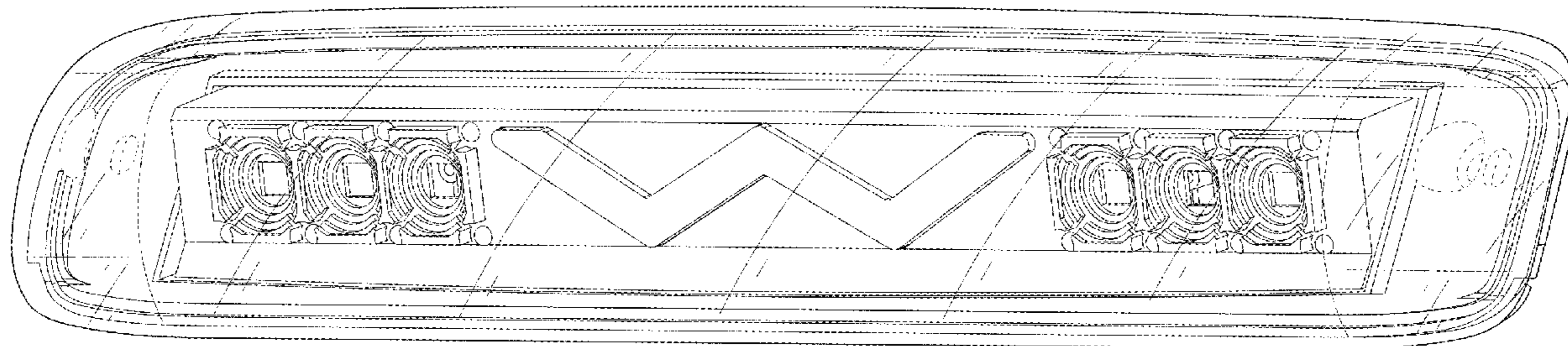
(57) **CLAIM**

The ornamental design for a brake light, as shown and described.

**DESCRIPTION**

FIG. 1 is a perspective view of a brake light showing my new design;  
FIG. 2 is another perspective view thereof;  
FIG. 3 is a front elevational view thereof;  
FIG. 4 is a rear elevational view thereof;  
FIG. 5 is a left side elevational view thereof;  
FIG. 6 is a right side elevational view thereof;  
FIG. 7 is a top plan view thereof; and,  
FIG. 8 is a bottom plan view thereof.  
The broken lines in the drawings depict portions of the brake light that form no part of the claimed design.

**1 Claim, 8 Drawing Sheets**



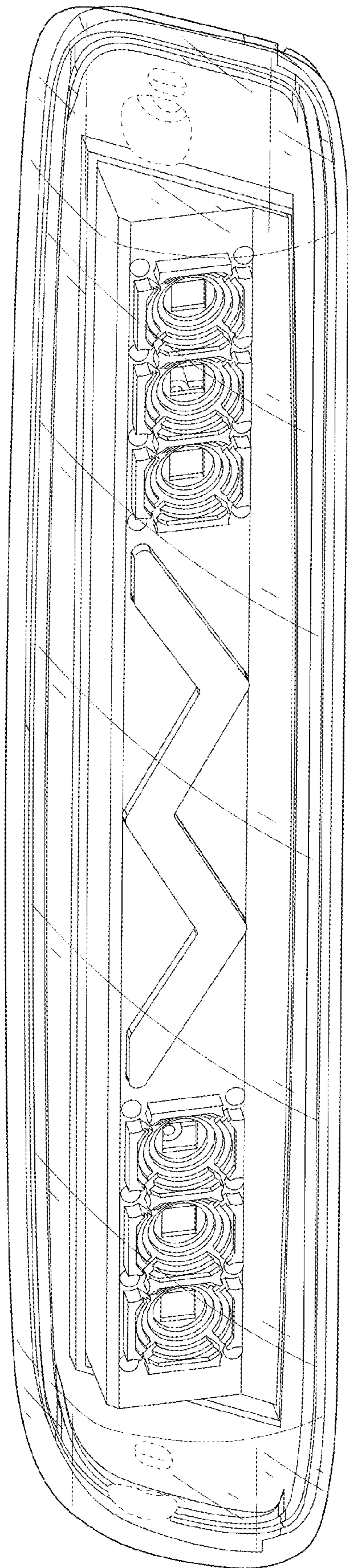


FIG. 1

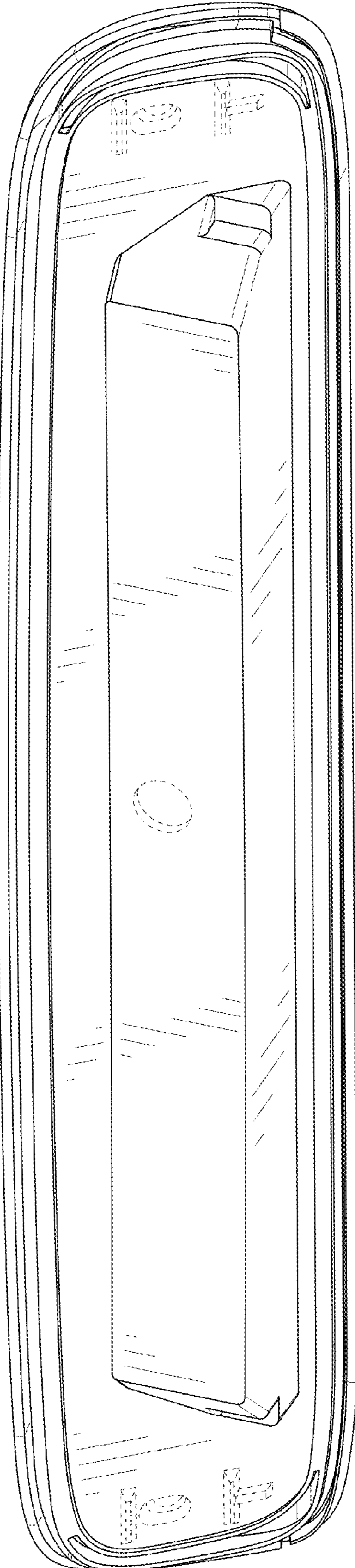


FIG. 2

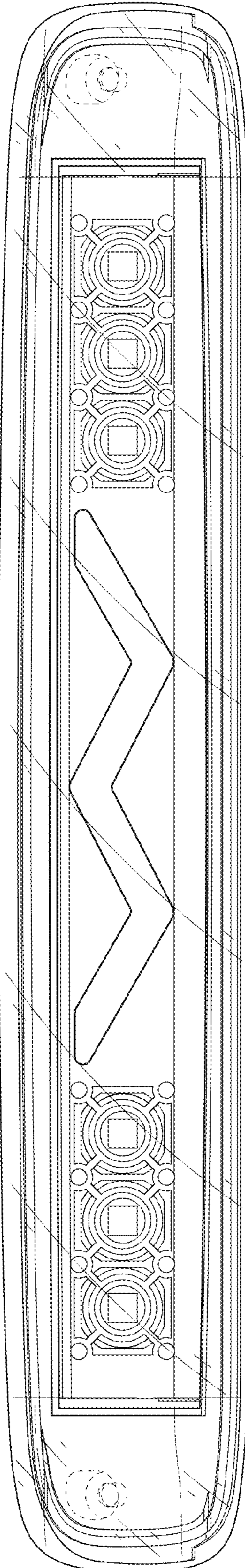


FIG. 3

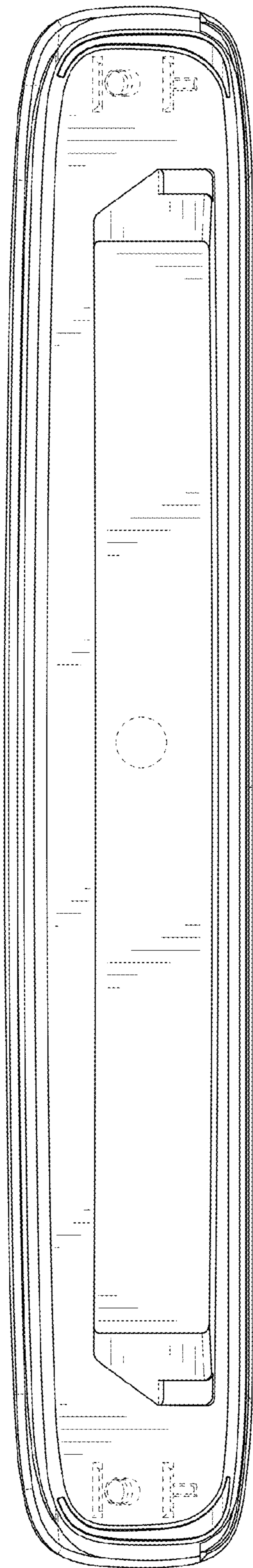


FIG. 4

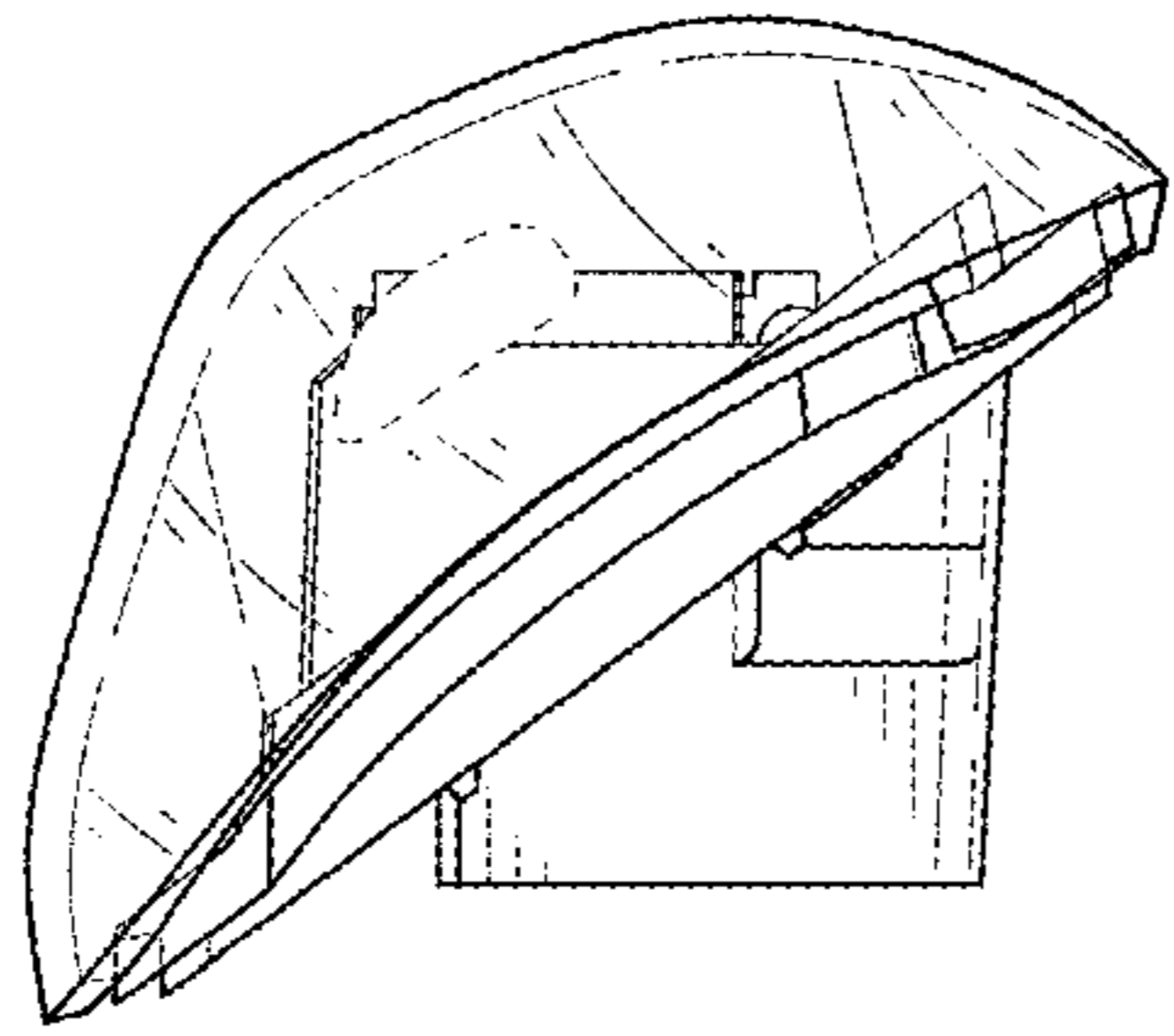


FIG. 5

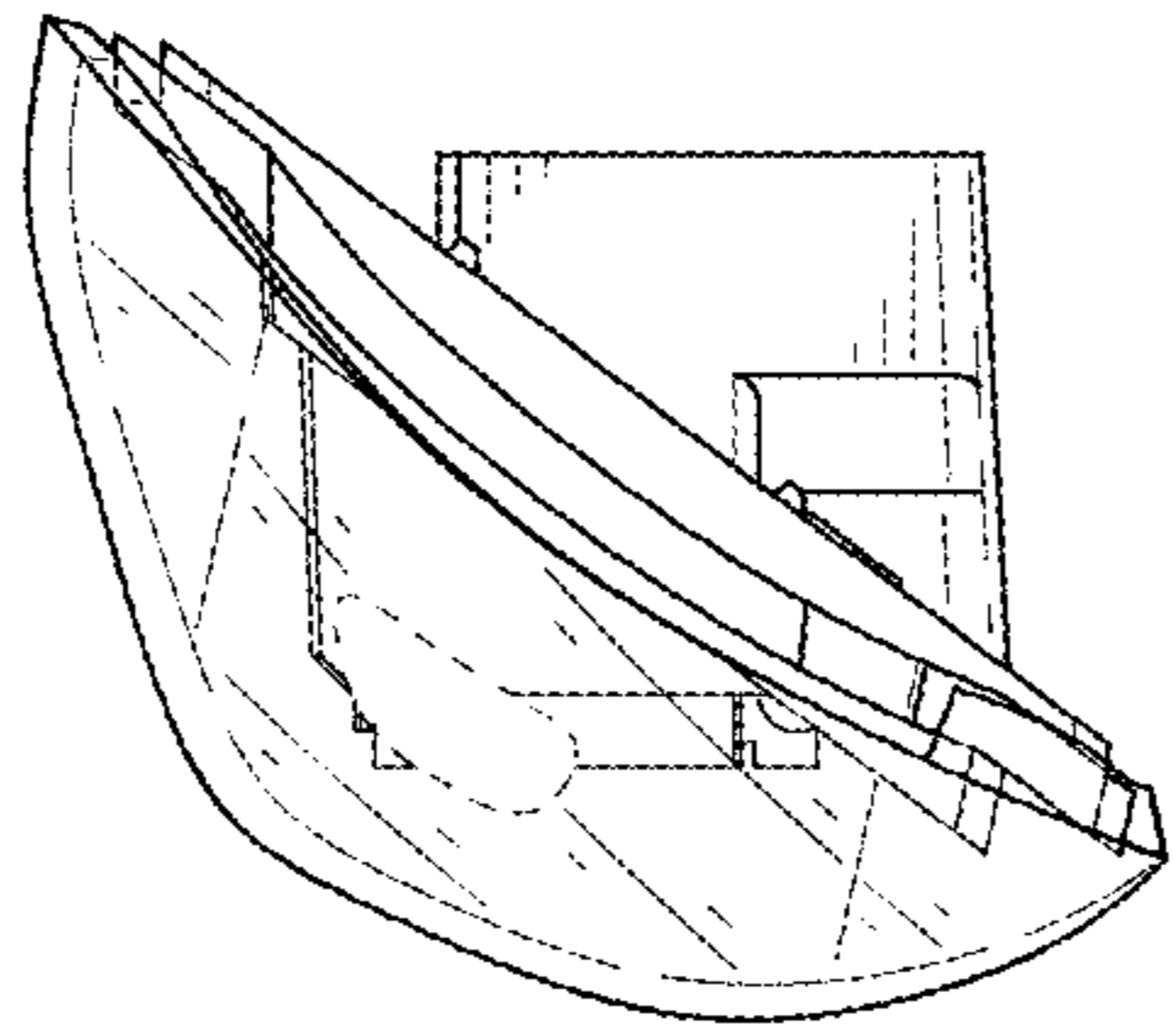


FIG. 6

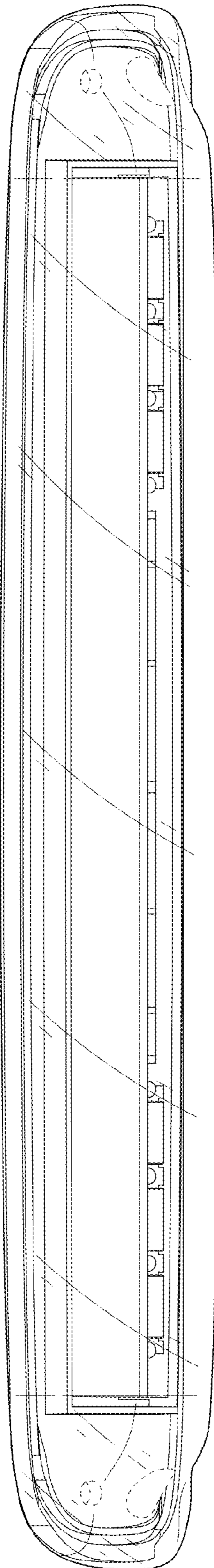


FIG. 7



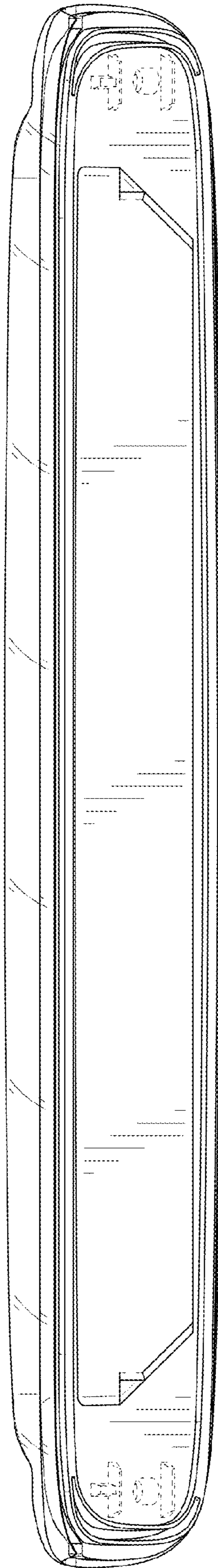


FIG. 8