



US00D919140S

(12) **United States Design Patent** (10) **Patent No.:** **US D919,140 S**
Wiltshire et al. (45) **Date of Patent:** **** May 11, 2021**

(54) **VEHICLE HEADLAMP DAYTIME RUNNING LIGHT ASSEMBLY**

(71) Applicant: **Jaguar Land Rover Limited**, Coventry (GB)

(72) Inventors: **Julian Wiltshire**, Coventry (GB);
Massimo Frascella, Coventry (GB)

(73) Assignee: **Jaguar Land Rover Limited**, Whitley Coventry (GB)

(**) Term: **15 Years**

(21) Appl. No.: **29/725,693**

(22) Filed: **Feb. 26, 2020**

Related U.S. Application Data

(62) Division of application No. 29/626,519, filed on Nov. 17, 2017, now Pat. No. Des. 876,999.

(30) **Foreign Application Priority Data**

May 17, 2017 (EM) 004006575
May 17, 2017 (EM) 004006609
May 17, 2017 (EM) 004006617

(51) **LOC (13) Cl.** **26-06**

(52) **U.S. Cl.**
USPC **D26/28**

(58) **Field of Classification Search**
USPC D12/86, 90, 91, 92, 114, 163, 169, 171,
D12/172, 173, 181, 190, 196, 197, 199,
(Continued)

(56) **References Cited**

U.S. PATENT DOCUMENTS

2,680,804 A * 6/1954 Goldman B60Q 1/0466
362/458
2,728,323 A * 12/1955 Walton B05B 12/20
118/505

(Continued)

Primary Examiner — Brett Miller

Assistant Examiner — Suzanne E Tisdell

(74) *Attorney, Agent, or Firm* — Wood Herron & Evans LLP

(57) **CLAIM**

The ornamental design for a vehicle headlamp daytime running light assembly, as shown and described.

DESCRIPTION

FIG. 1 is a front left perspective view of the right side assembly of a vehicle headlamp daytime running light assembly, the left side assembly being a mirror image thereof and not shown.

FIG. 2 is a front right perspective view of the right side assembly of a vehicle headlamp daytime running light assembly shown in FIG. 1.

FIG. 3 is a front view thereof.

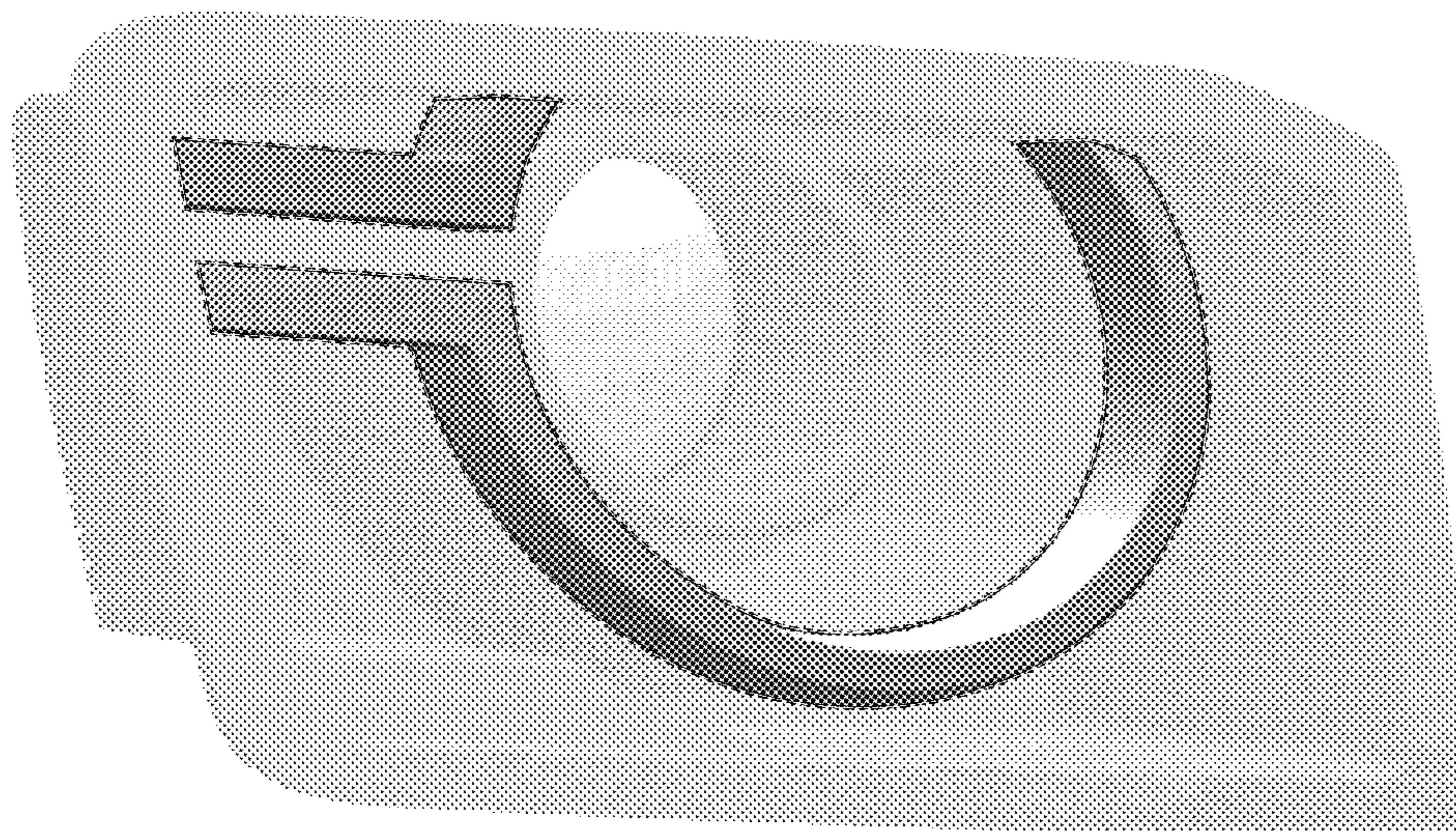
FIG. 4 is a left side view thereof.

FIG. 5 is a second front view of the vehicle headlamp daytime running light assembly shown in FIGS. 1-4 with the vehicle headlamp daytime running light assembly mounted on a vehicle shown in de-emphasized half-tone portions so as to illustrate environmental structures for the vehicle front; and,

FIG. 6 is another front view of the vehicle headlamp daytime running light assembly shown in FIGS. 1-5 with the vehicle headlamp daytime running light assembly mounted on a vehicle shown in de-emphasized and half-tone portions so as to illustrate environment structures for the vehicle front. As contemplated by the present invention, a mirror image of the headlamp daytime running light assembly is also shown.

The daytime running light assembly shown in FIGS. 1-6 is shown within the broken lines and the broken lines and any element shown outside the broken lines form no part of the claimed invention, but are instead included to show environmental aspects of the claimed invention.

1 Claim, 6 Drawing Sheets



(58) **Field of Classification Search**

USPC D12/400; D26/28, 29, 30, 31, 32, 33, 34,
D26/35, 36
CPC B62J 6/02; B62J 6/00; B60Q 3/10466;
B60Q 3/12653; B60Q 3/128; F12S 48/00;
F12S 48/10; F12S 48/115; F12S 48/225;
F12S 48/1233; F12S 48/1266; F12S
48/1388; F12S 48/2268; F21V 21/04
See application file for complete search history.

(56) **References Cited**

U.S. PATENT DOCUMENTS

4,322,106 A ‡ 3/1982 Nespor B60R 19/02
293/121
D463,873 S * 10/2002 Frasher D26/28
7,311,352 B2 ‡ 12/2007 Flotzinger B60R 19/04
293/115
D591,871 S * 5/2009 Saracoglu D26/28
D720,265 S ‡ 12/2014 Galante D12/169
8,972,116 B2 ‡ 3/2015 Leach B60R 19/02
701/45
9,016,766 B2 ‡ 4/2015 Silva B60R 19/12
296/187.09
D734,230 S ‡ 7/2015 Wheel D12/196
9,199,293 B2 ‡ 12/2015 Joyce B21D 11/10

D746,722 S ‡ 1/2016 Henstridge D12/91
D750,532 S ‡ 3/2016 Frascella D12/91
9,327,768 B2 ‡ 5/2016 Donabedian B62D 25/02
D788,643 S ‡ 6/2017 Bucher D12/91
D793,907 S ‡ 8/2017 Woolley D12/91
D802,811 S * 11/2017 Lai D26/28
D804,692 S * 12/2017 Lai D26/28
D805,959 S ‡ 12/2017 Wheel D12/91
D813,097 S ‡ 3/2018 Szavits D12/91
D817,815 S ‡ 5/2018 Hubers D12/91
D818,399 S ‡ 5/2018 Frascella D12/91
D818,879 S ‡ 5/2018 Kochi D12/91
D819,854 S * 6/2018 Lai D26/28
D820,160 S ‡ 6/2018 Smock D12/91
D820,163 S ‡ 6/2018 Woodhouse D12/91
D820,175 S ‡ 6/2018 Ishigaki D12/169
D820,730 S ‡ 6/2018 Wang D12/91
D821,266 S ‡ 6/2018 Hagino D12/91
D830,599 S * 10/2018 Lin D26/28
D850,675 S * 6/2019 Lin D26/28
D864,443 S * 10/2019 Lin D26/28
D868,314 S * 11/2019 Lai D26/28
D870,932 S * 12/2019 Lin D26/28
D875,975 S * 2/2020 Lin D26/28
D878,644 S * 3/2020 Lai D26/28
D879,337 S * 3/2020 Lai D26/28
D883,526 S * 5/2020 Lin D26/28

* cited by examiner

‡ imported from a related application

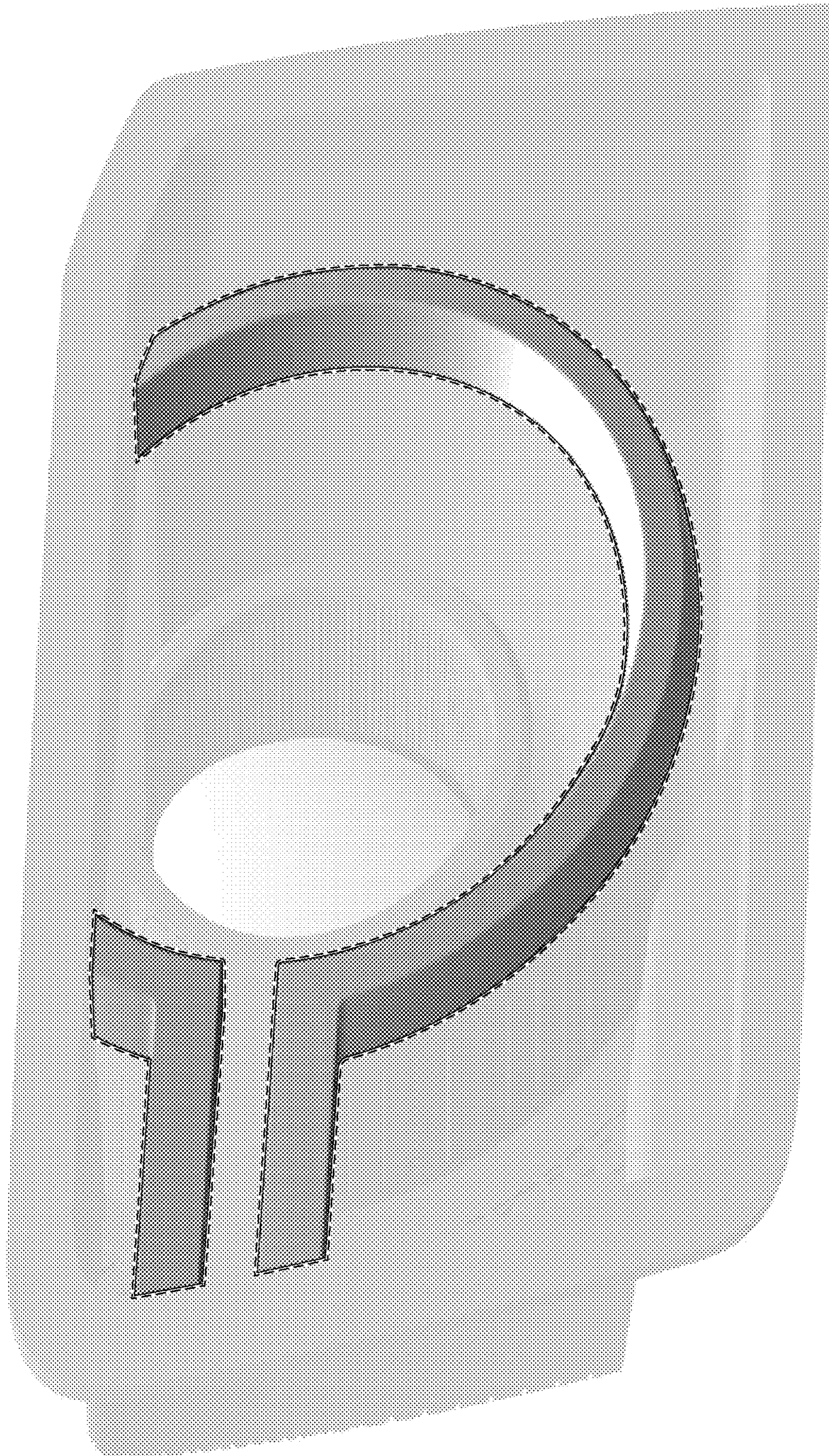


FIG. 1

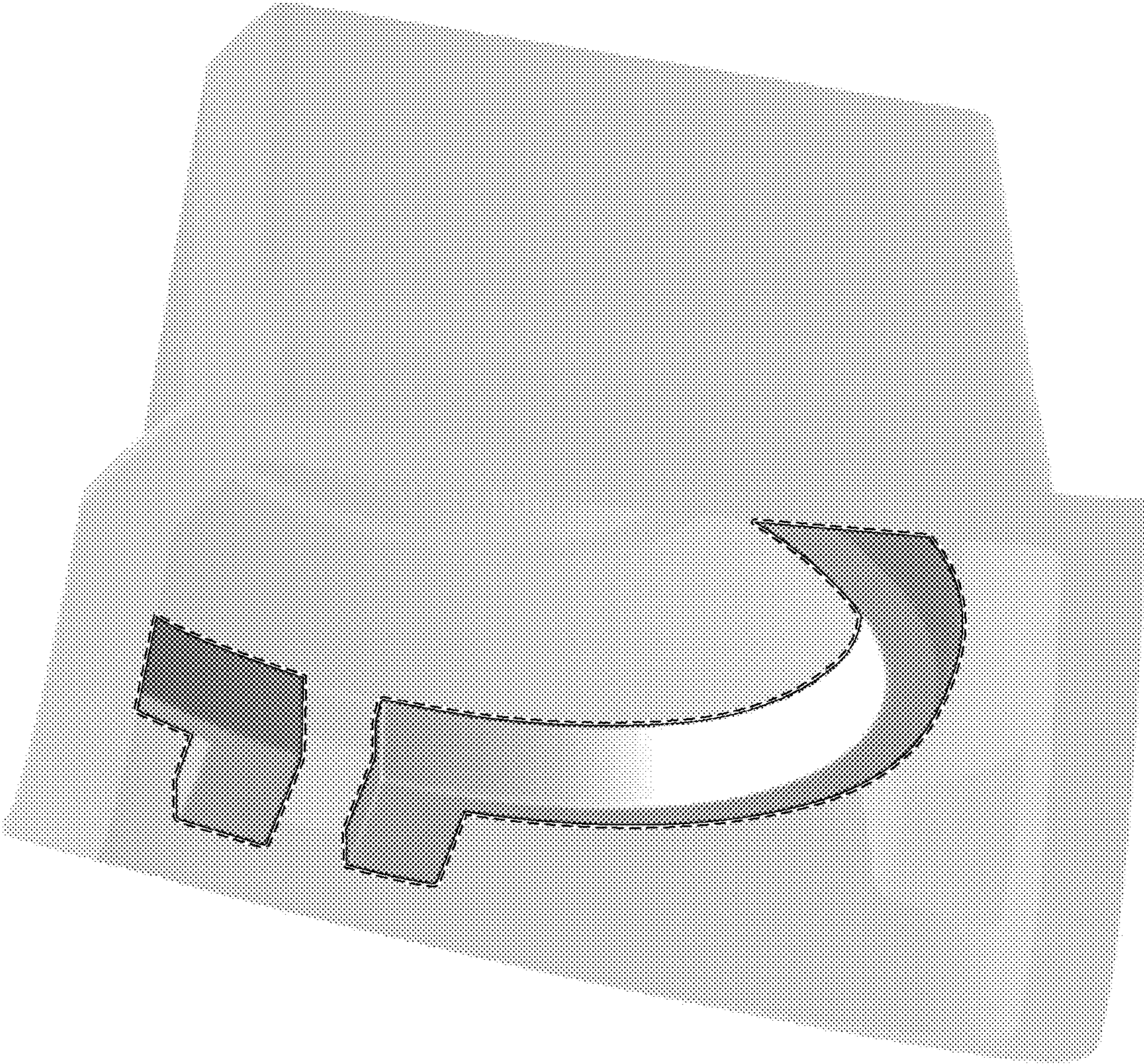


FIG. 2

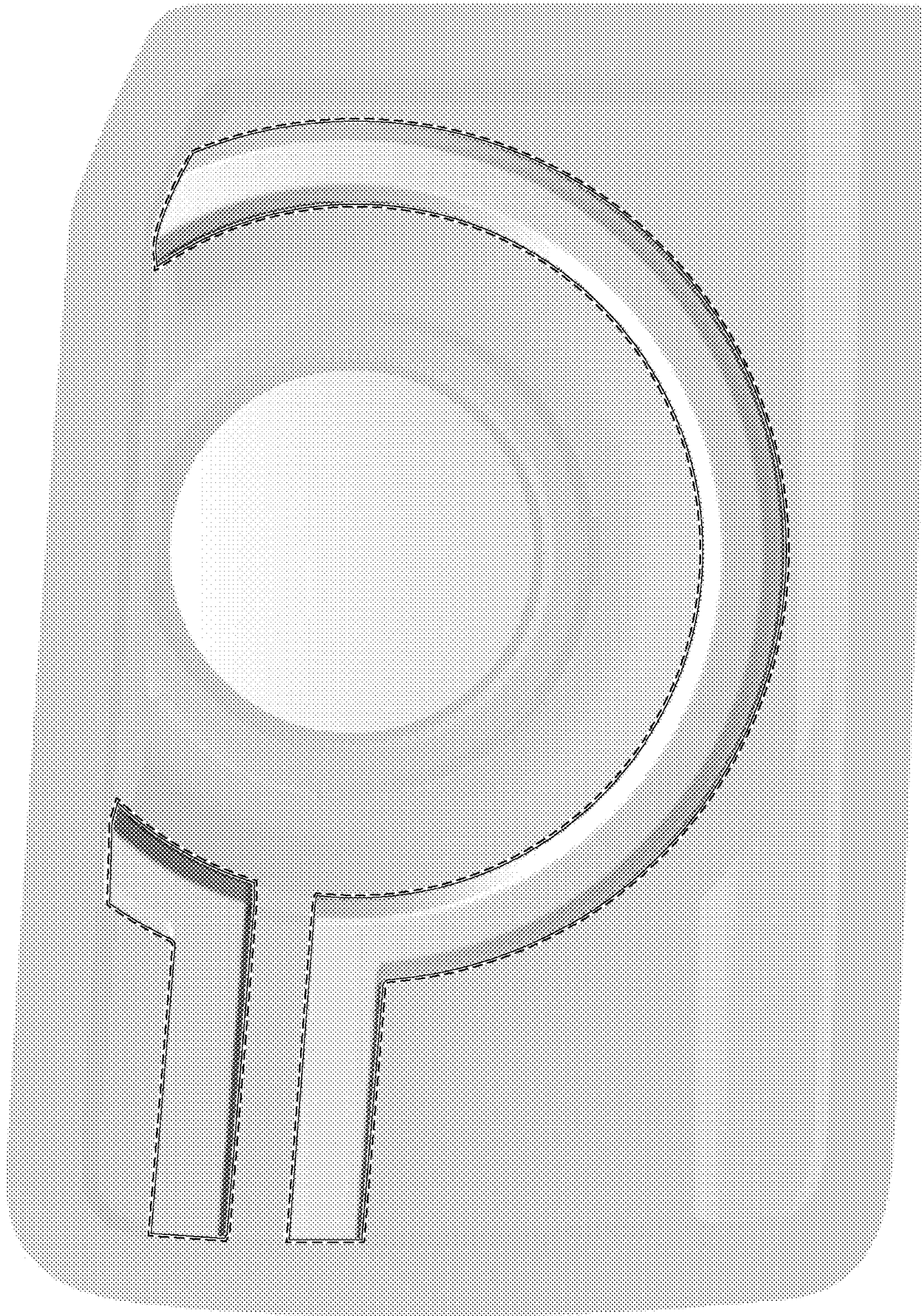


FIG. 3

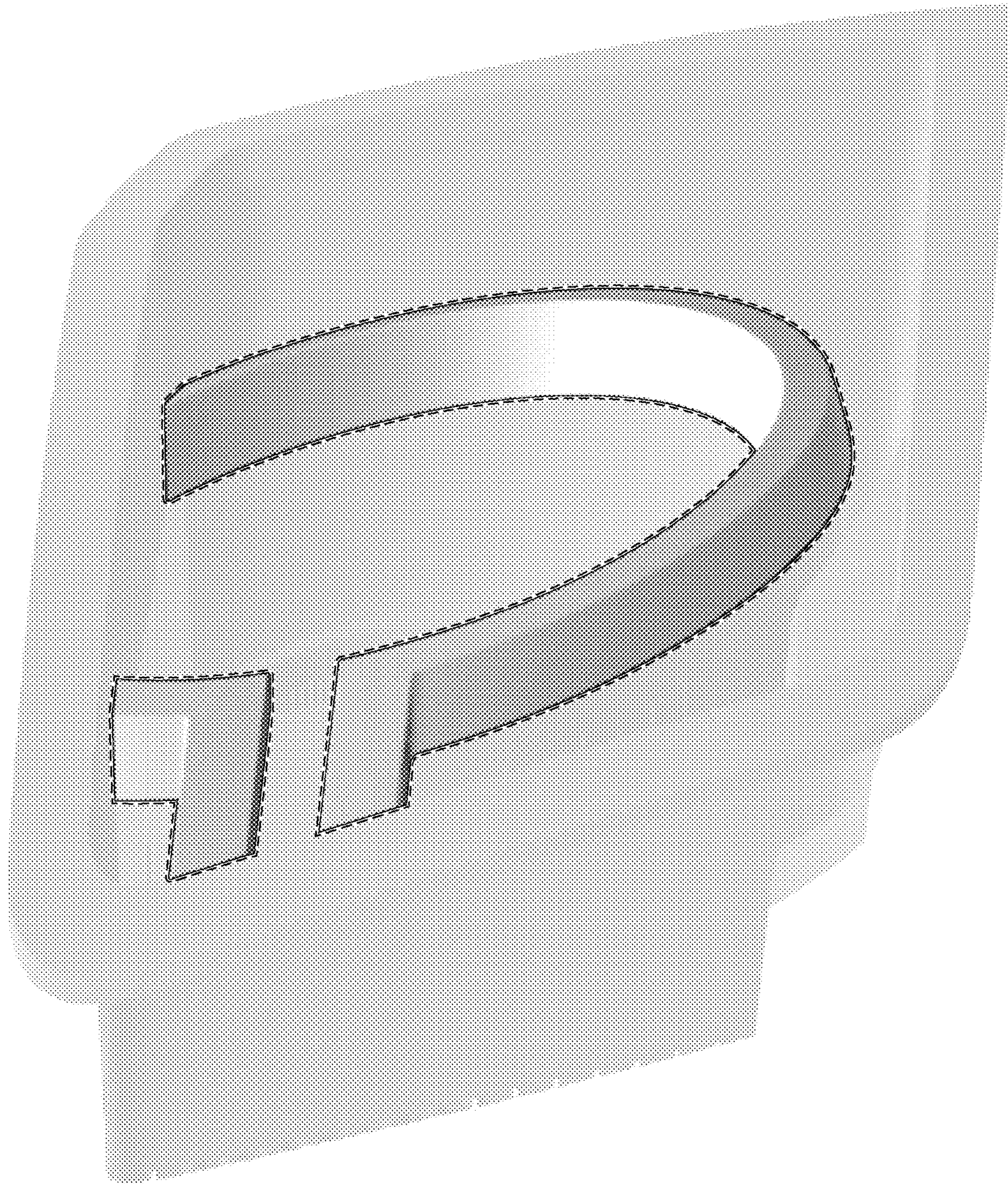


FIG. 4

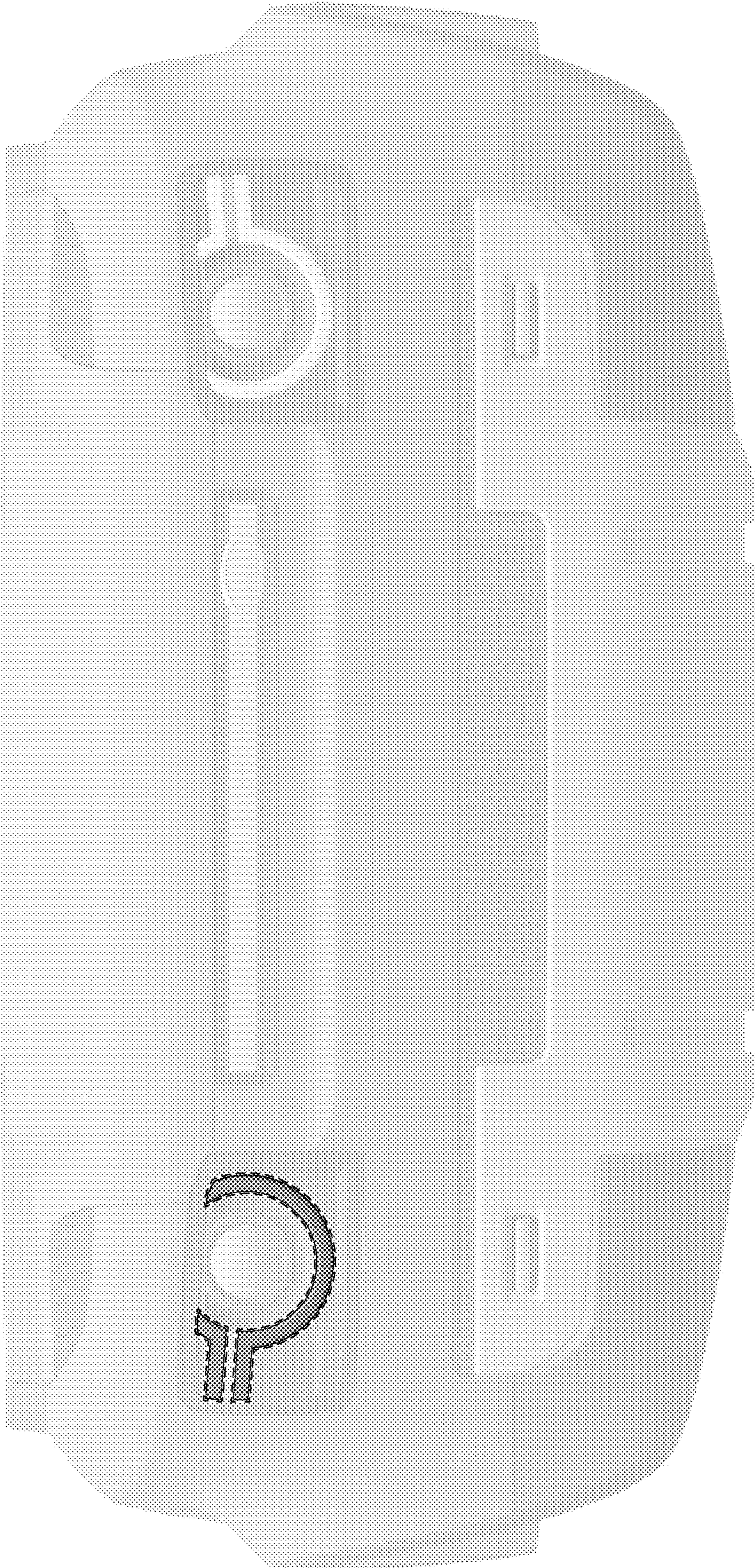


FIG. 5

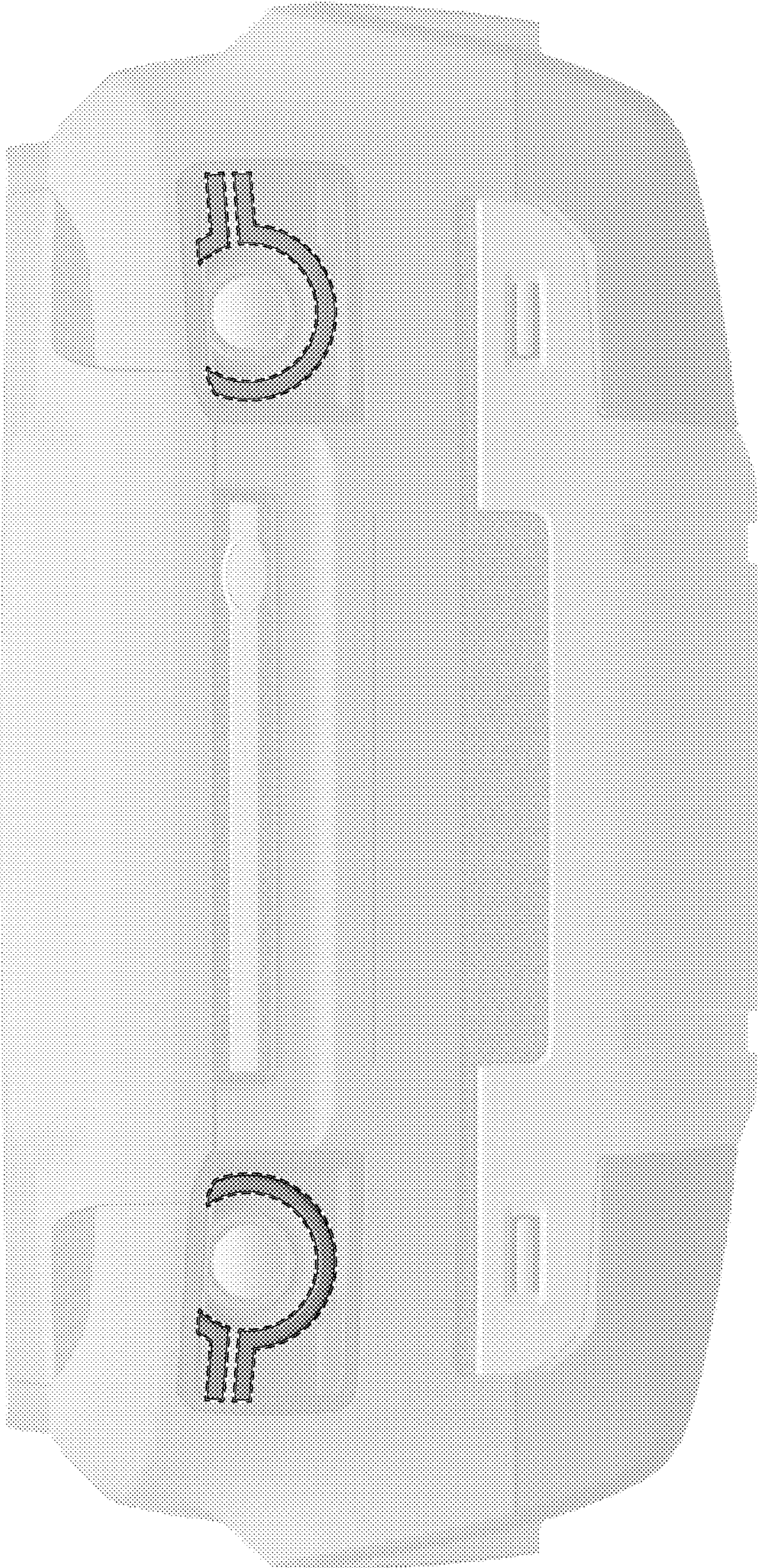


FIG. 6