



US00D919135S

(12) **United States Design Patent** (10) **Patent No.:** **US D919,135 S**
Yu (45) **Date of Patent:** **** *May 11, 2021**

(54) **AUTOMOBILE HEADLIGHT**
(71) Applicant: **Huang-Hsien Yu**, Tainan (TW)
(72) Inventor: **Huang-Hsien Yu**, Tainan (TW)
(*) Notice: This patent is subject to a terminal disclaimer.
(**) Term: **15 Years**
(21) Appl. No.: **29/716,756**
(22) Filed: **Dec. 11, 2019**
(51) **LOC (13) Cl.** **26-06**
(52) **U.S. Cl.**
USPC **D26/28**
(58) **Field of Classification Search**
USPC D26/28-36; 362/459-468, 475-478, 362/485-487
CPC F21S 48/00; F21S 48/10; F21S 48/115; F21S 48/225; F21S 48/1233; F21S 48/1266; F21S 48/1388; F21S 48/2268; F21V 21/04
See application file for complete search history.

D761,460 S 7/2016 Lin
D761,463 S * 7/2016 Lai D26/28
D815,323 S 4/2018 Amemiya
D821,004 S 6/2018 Kanai
D838,879 S * 1/2019 Badstuebner D26/28
D844,194 S 3/2019 Lin
D863,622 S 10/2019 Wu
D863,624 S 10/2019 Kawaguchi
D864,438 S * 10/2019 Janssen D26/28
D869,707 S * 12/2019 Wu D26/28
D870,328 S * 12/2019 Wu D26/28
D870,936 S * 12/2019 Wu D26/28
D874,031 S * 1/2020 Herzog D26/28
D875,283 S * 2/2020 He D26/28
D876,685 S * 2/2020 Lin D26/28

* cited by examiner

Primary Examiner — Angela J Lee
(74) *Attorney, Agent, or Firm* — Alexander Chen, Esq.

(57) **CLAIM**

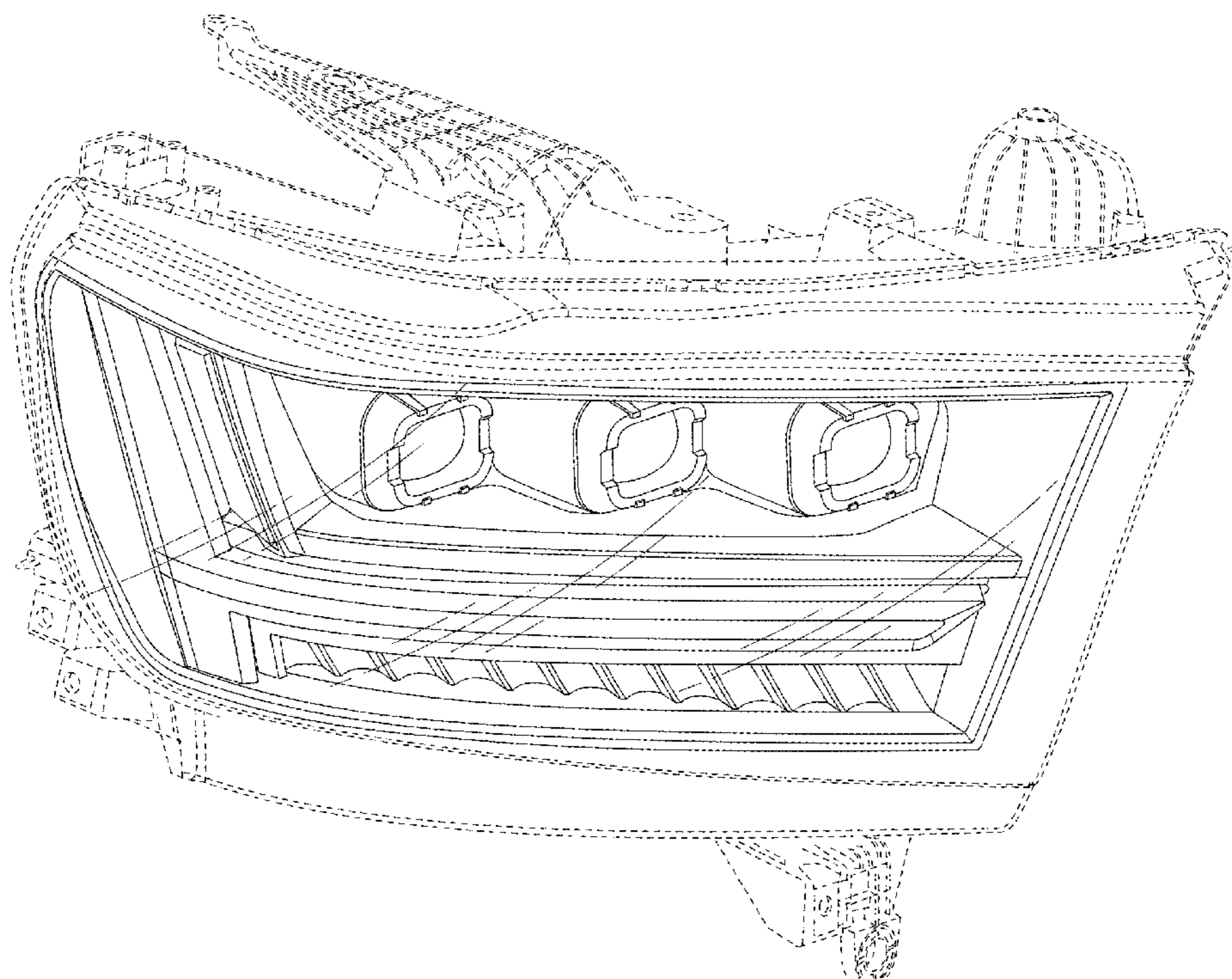
The ornamental design for an automobile headlight, as shown and described.

DESCRIPTION

FIG. 1 is a perspective view of an automobile headlight; FIG. 2 is a front view thereof; FIG. 3 is a side view thereof; and, FIG. 4 is a top view thereof. The broken lines are included to show environmental structure and form no part of the claimed design. The drawings and descriptions represent the right side embodiment. The claim is also for a mirror image left side embodiment.

1 Claim, 4 Drawing Sheets

(56) **References Cited**
U.S. PATENT DOCUMENTS
D602,619 S 10/2009 Krugger et al.
D641,503 S 7/2011 Krugger et al.
D745,717 S 12/2015 Wu
D748,305 S 1/2016 Miyazawa
D749,251 S * 2/2016 Nakahara D26/28
D752,780 S 3/2016 Hall



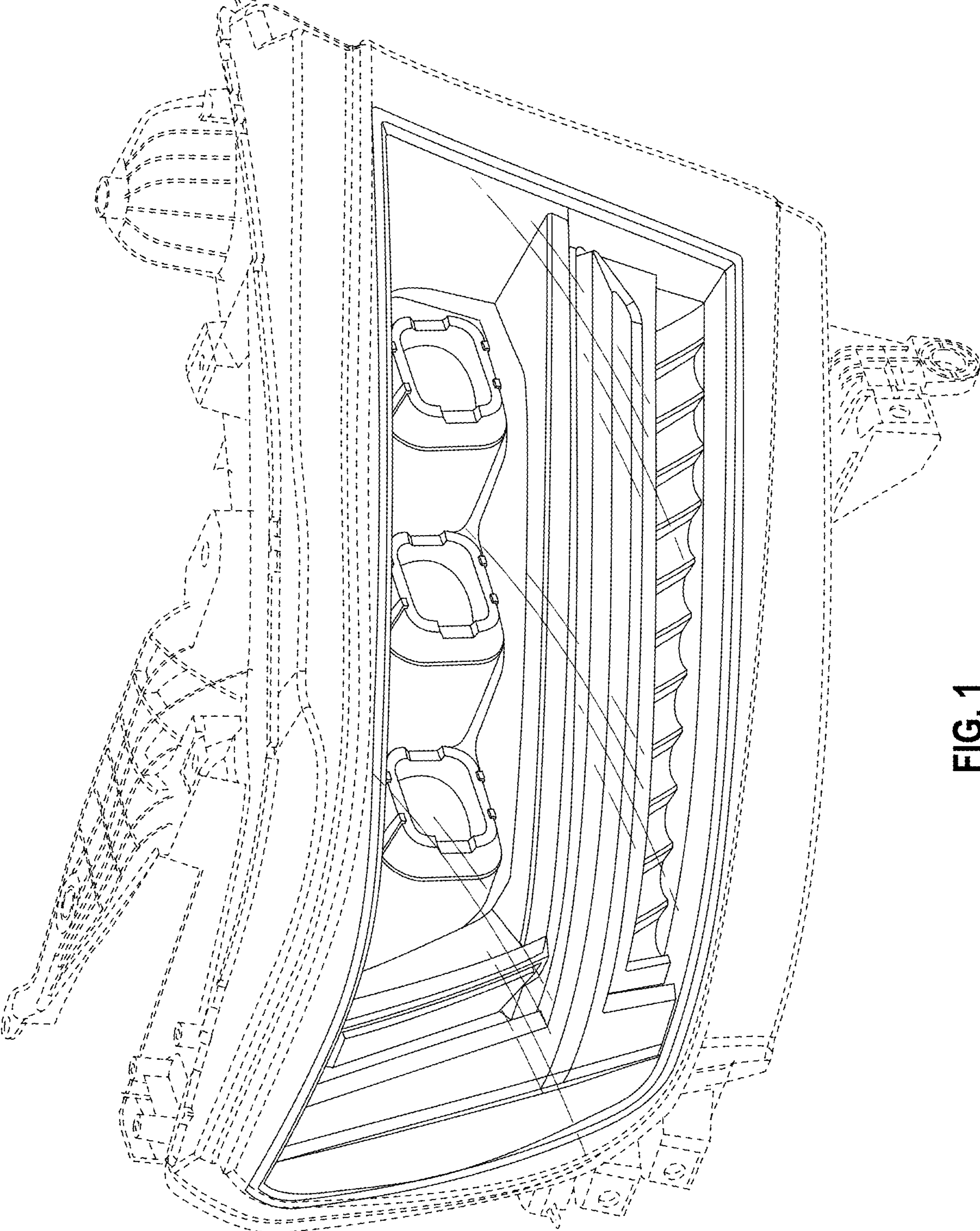


FIG. 1

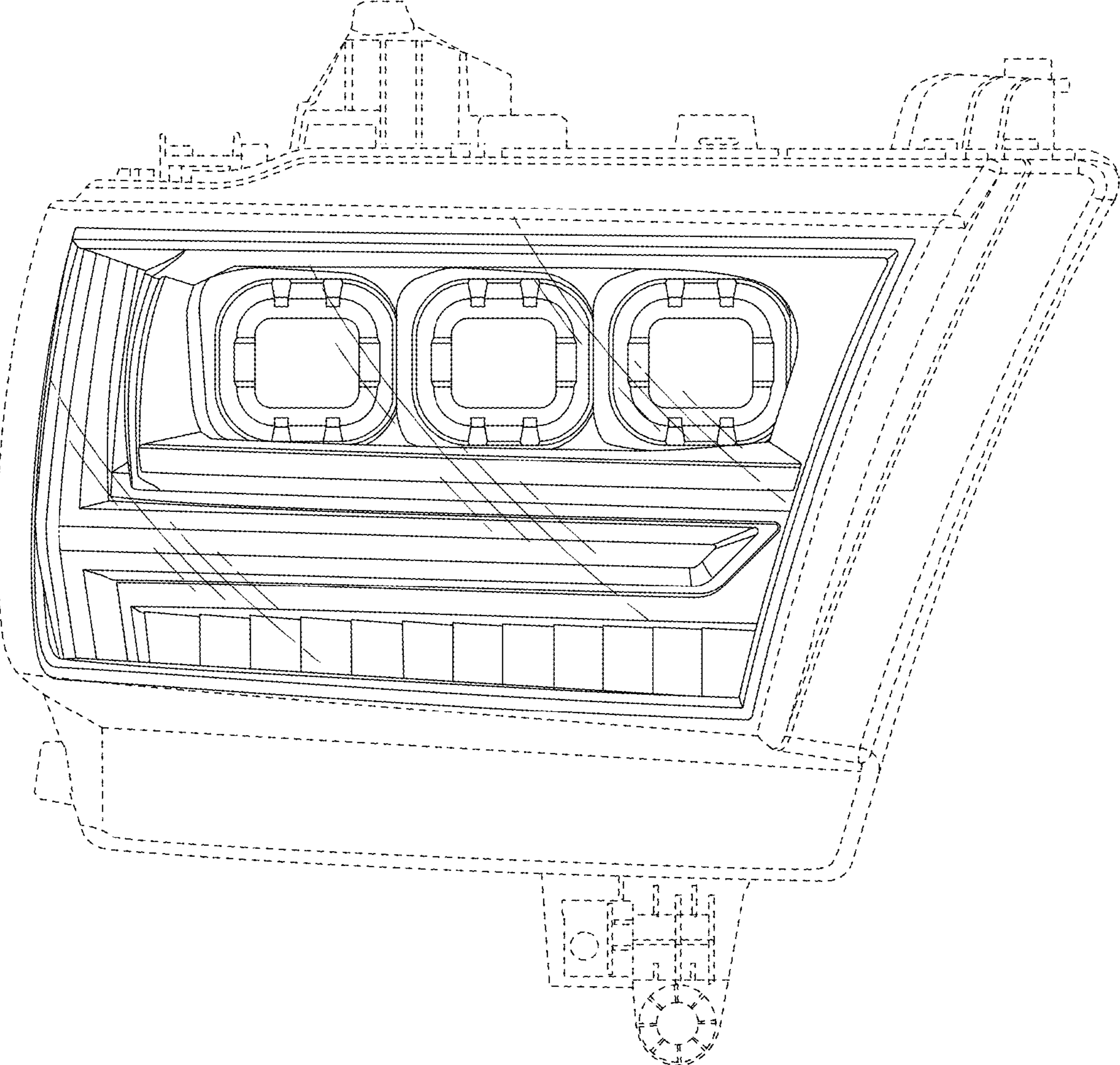


FIG. 2

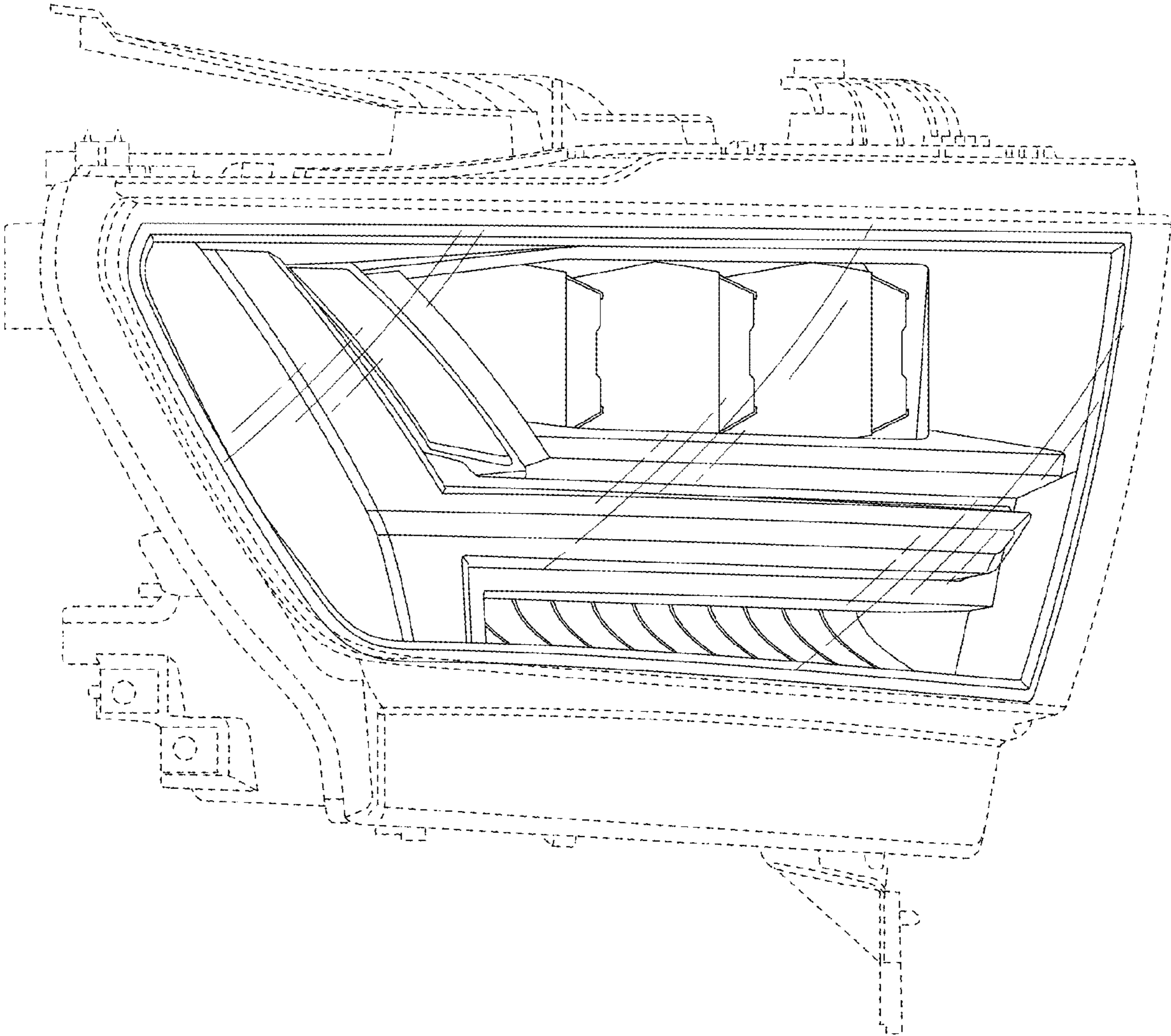


FIG. 3

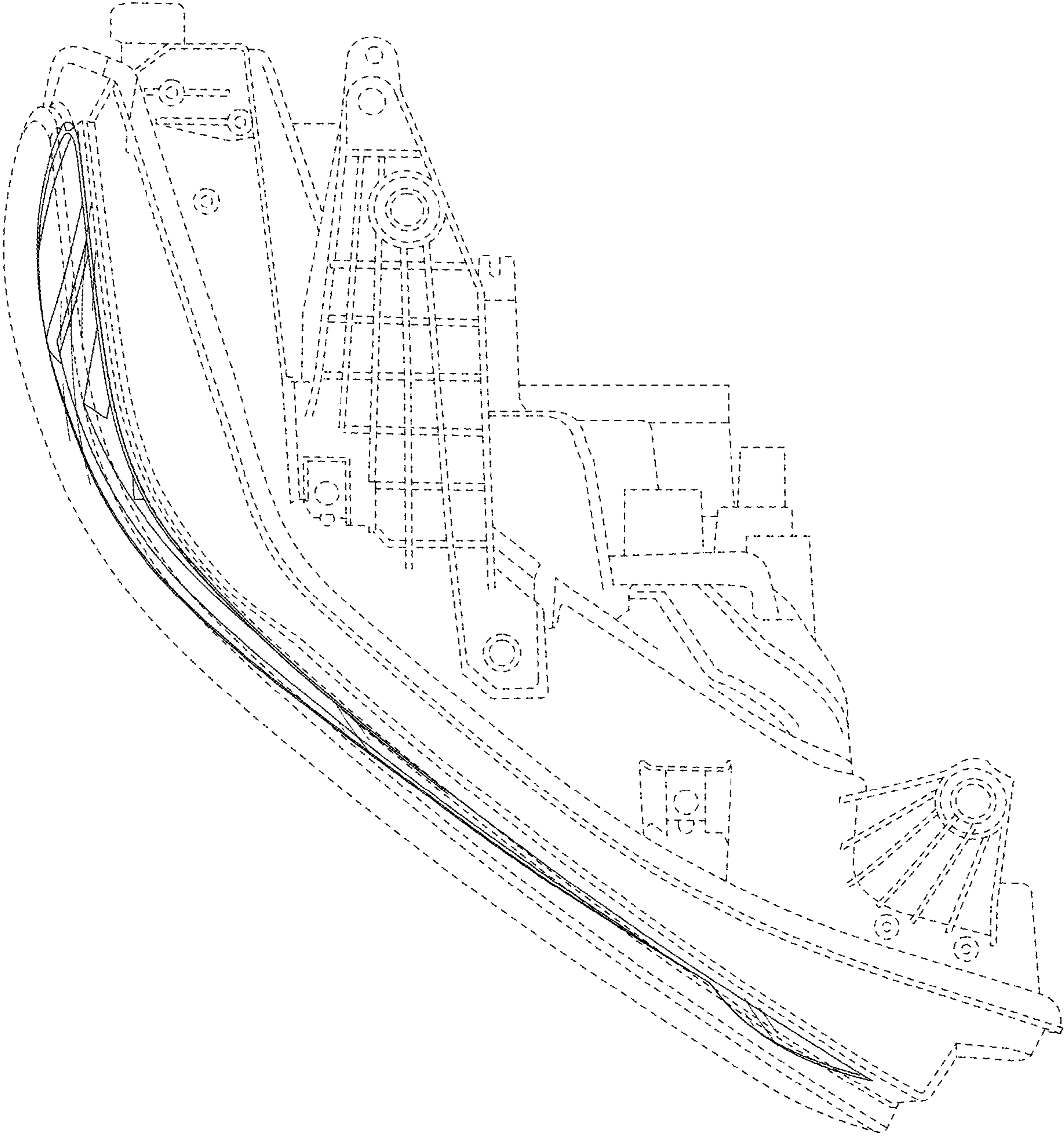


FIG. 4