



US00D919133S

(12) **United States Design Patent** (10) **Patent No.:** **US D919,133 S**
Carbis et al. (45) **Date of Patent:** **** *May 11, 2021**

- (54) **VEHICLE HEADLIGHT**
- (71) Applicant: **Ford Global Technologies, LLC**,
Dearborn, MI (US)
- (72) Inventors: **Dean Carbis**, Bloomfield Hills, MI
(US); **Karl J. Rossman**, Allen Park, MI
(US); **Brian S. Paik**, Los Angeles, CA
(US); **Melvin Betancourt**, Shelby
Township, MI (US)
- (73) Assignee: **Ford Global Technologies, LLC**,
Dearborn, MI (US)
- (*) Notice: This patent is subject to a terminal dis-
claimer.
- (**) Term: **15 Years**
- (21) Appl. No.: **29/700,494**
- (22) Filed: **Aug. 2, 2019**
- (51) **LOC (13) Cl.** **26-06**
- (52) **U.S. Cl.**
USPC **D26/28**
- (58) **Field of Classification Search**
USPC D26/28, 29, 30, 31, 32, 33, 34, 35, 36
CPC F21S 48/00; F21S 48/10; F21S 48/115;
F21S 48/225; F21S 48/1233; F21S
48/1266; F21S 48/1388; F21S 48/2268;
F21V 21/04; F21W 2103/35; F21W 3/40;
F21W 2102/17; F21W 2102/30; F21W
2103/00; F21W 2103/55; F21W 2104/00;
F21W 2107/17; F21W 2107/13
See application file for complete search history.

| | | | | |
|--------------|---------|-------------|-------|--------|
| D696,445 S * | 12/2013 | Ishizuka | | D26/28 |
| D707,860 S * | 6/2014 | Futschik | | D26/28 |
| D708,367 S * | 7/2014 | Tajima | | D26/28 |
| D708,767 S * | 7/2014 | Minaminsawa | | D26/28 |
| D806,285 S * | 12/2017 | Kawakami | | D26/28 |
| D833,043 S * | 11/2018 | Aiba | | D26/28 |
| D842,510 S * | 3/2019 | Kang | | D26/28 |
| D844,863 S * | 4/2019 | Tomasson | | D26/28 |
| D868,316 S * | 11/2019 | Lin | | D26/28 |
| D889,700 S * | 7/2020 | Wang | | D26/28 |

OTHER PUBLICATIONS

Michael Martinez, Ford's 2020 Baby Bronco off-roader emerges in photos from dealer meeting, <http://www.automews.com/article/20181113/OEM04/181119911/ford-baby-bronco-photos-leaked> Nov. 13, 2018.

* cited by examiner

Primary Examiner — Angela J Lee

(57) **CLAIM**

The ornamental design for a vehicle headlight, as shown and described.

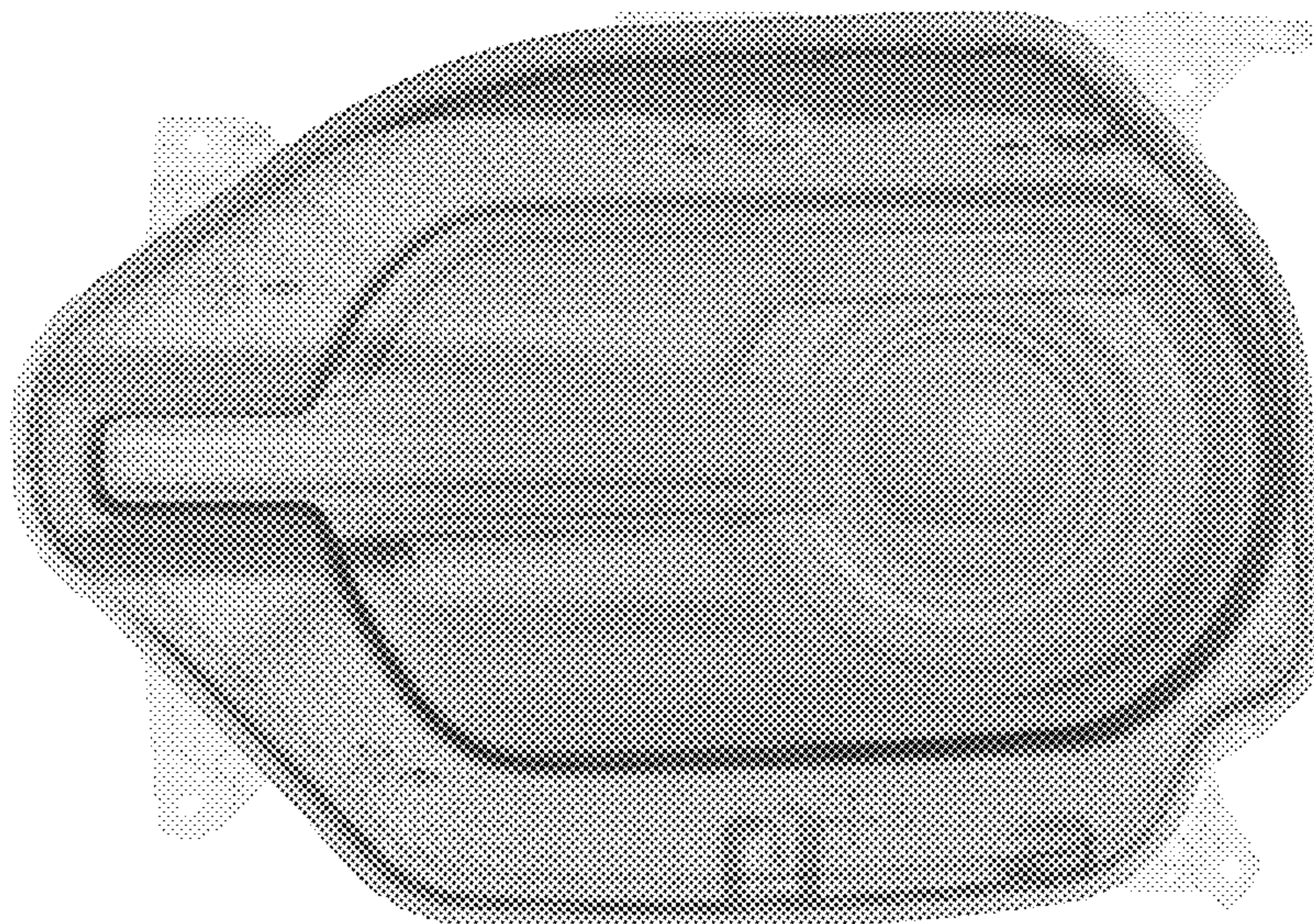
DESCRIPTION

FIG. 1 is a front elevational view of a vehicle headlight, showing our new design;
 FIG. 2 is a left side elevational view thereof;
 FIG. 3 is a right side elevational view thereof;
 FIG. 4 is a top plan view thereof;
 FIG. 5 is a bottom plan view thereof;
 FIG. 6 is a top, front and left side perspective view thereof; and,
 FIG. 7 is a bottom, front and left side perspective view thereof.

The claimed design is indicated by the relatively dark portions in the figures. The de-emphasized and relatively light portions form no part of the claimed design.

1 Claim, 7 Drawing Sheets

- (56) **References Cited**
U.S. PATENT DOCUMENTS
D527,125 S * 8/2006 Lai D26/28
D674,932 S * 1/2013 Kawano D26/28
D678,569 S * 3/2013 Brendel D26/28



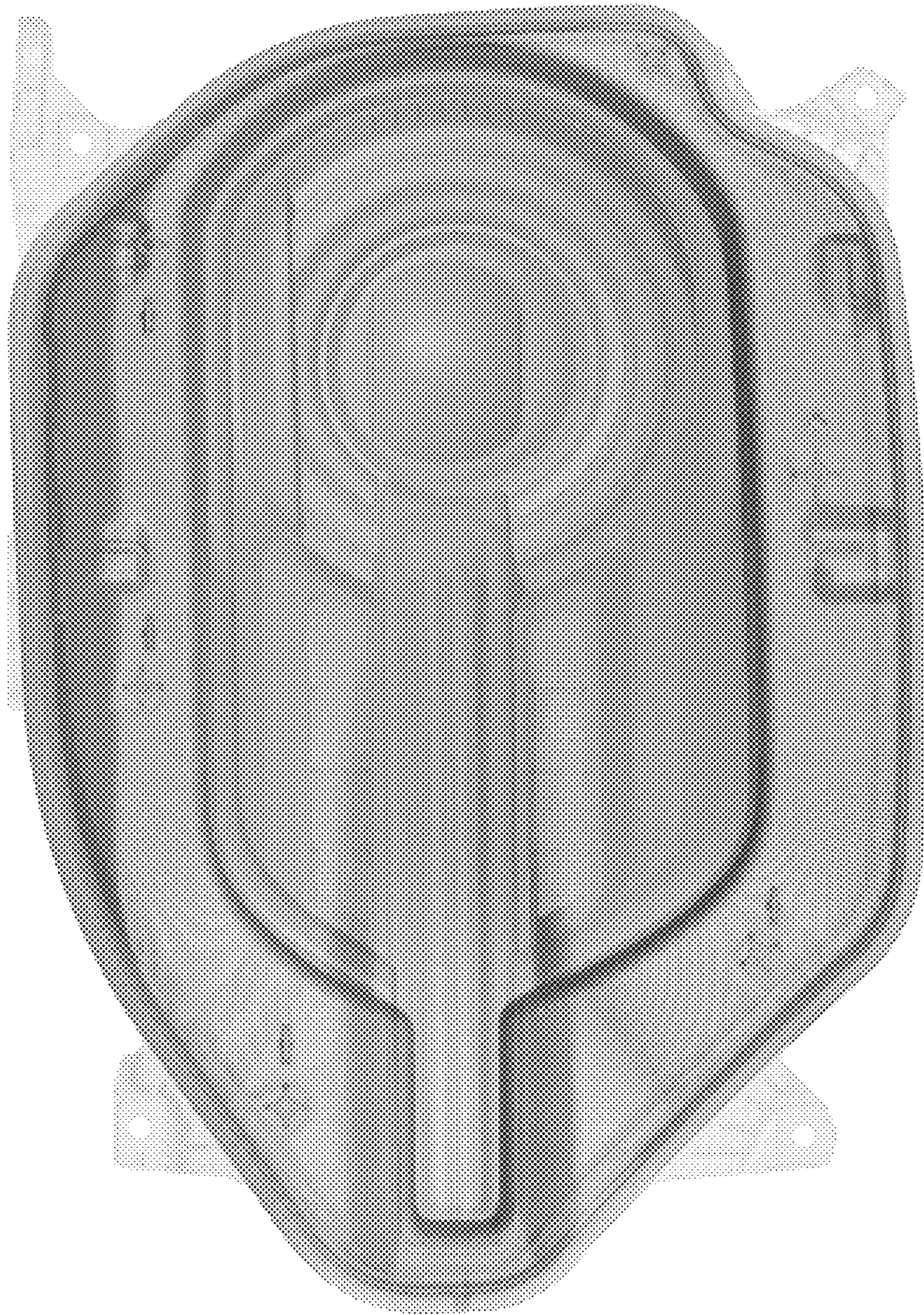


Fig.1

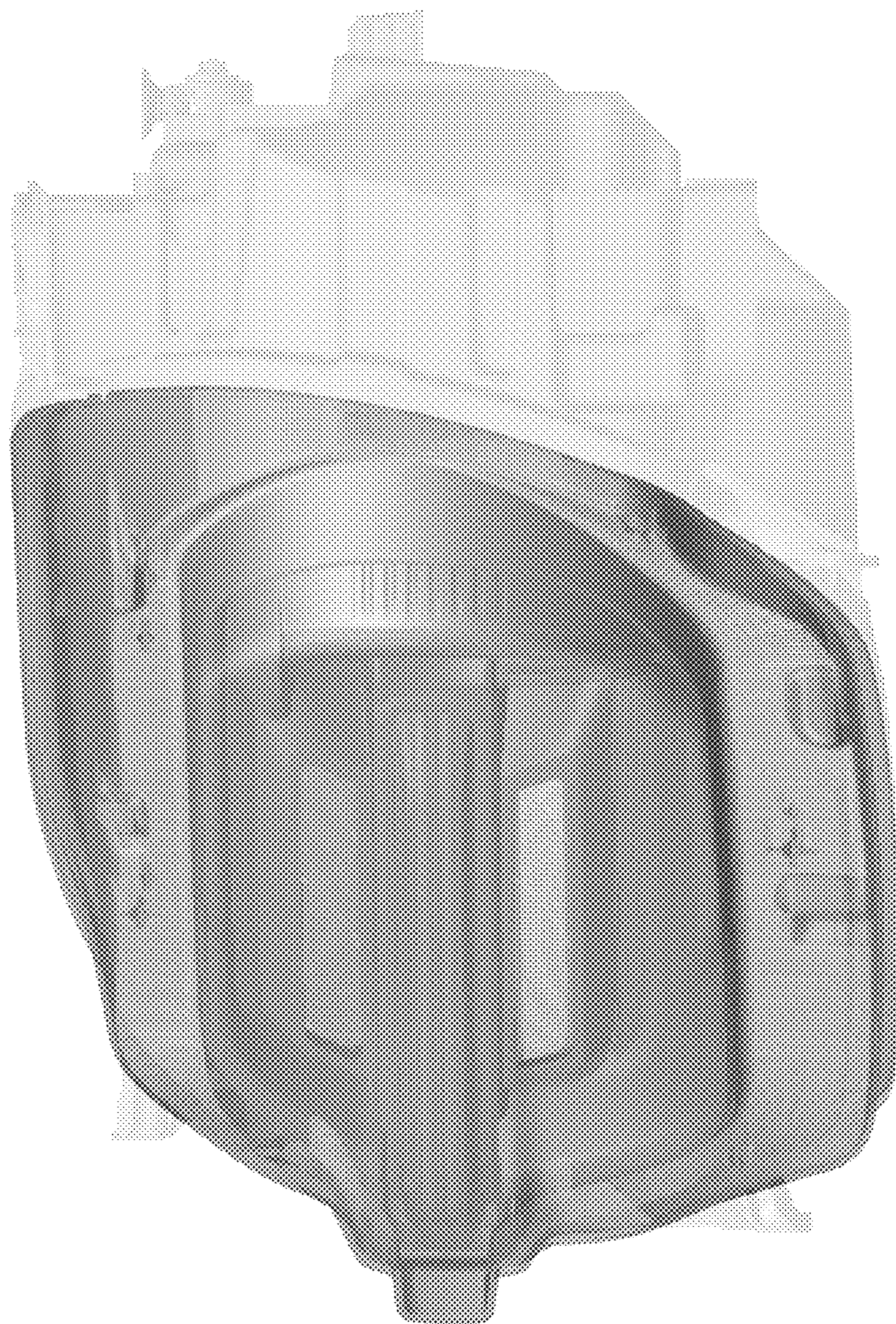


Fig.2

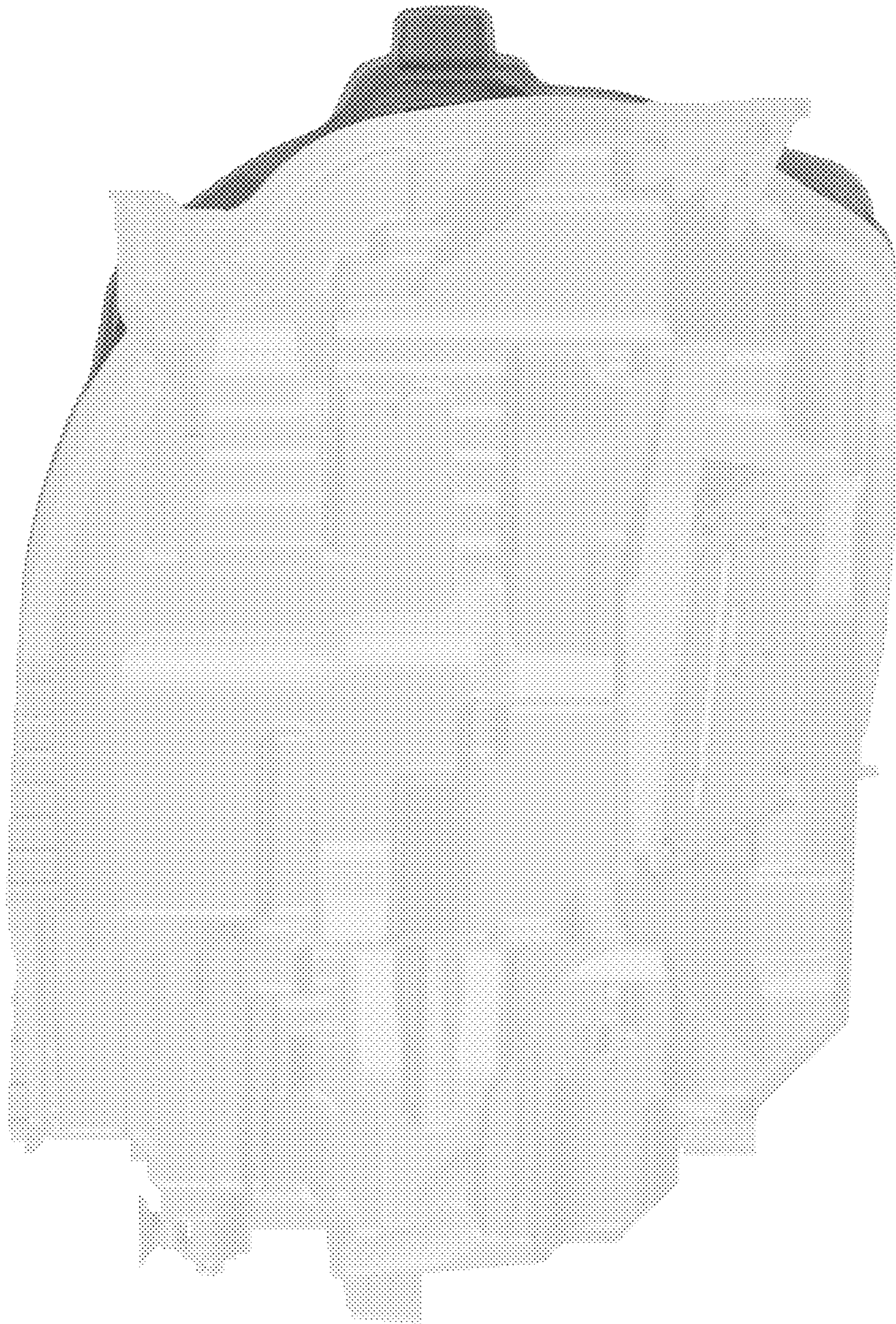


Fig. 3

Fig. 4

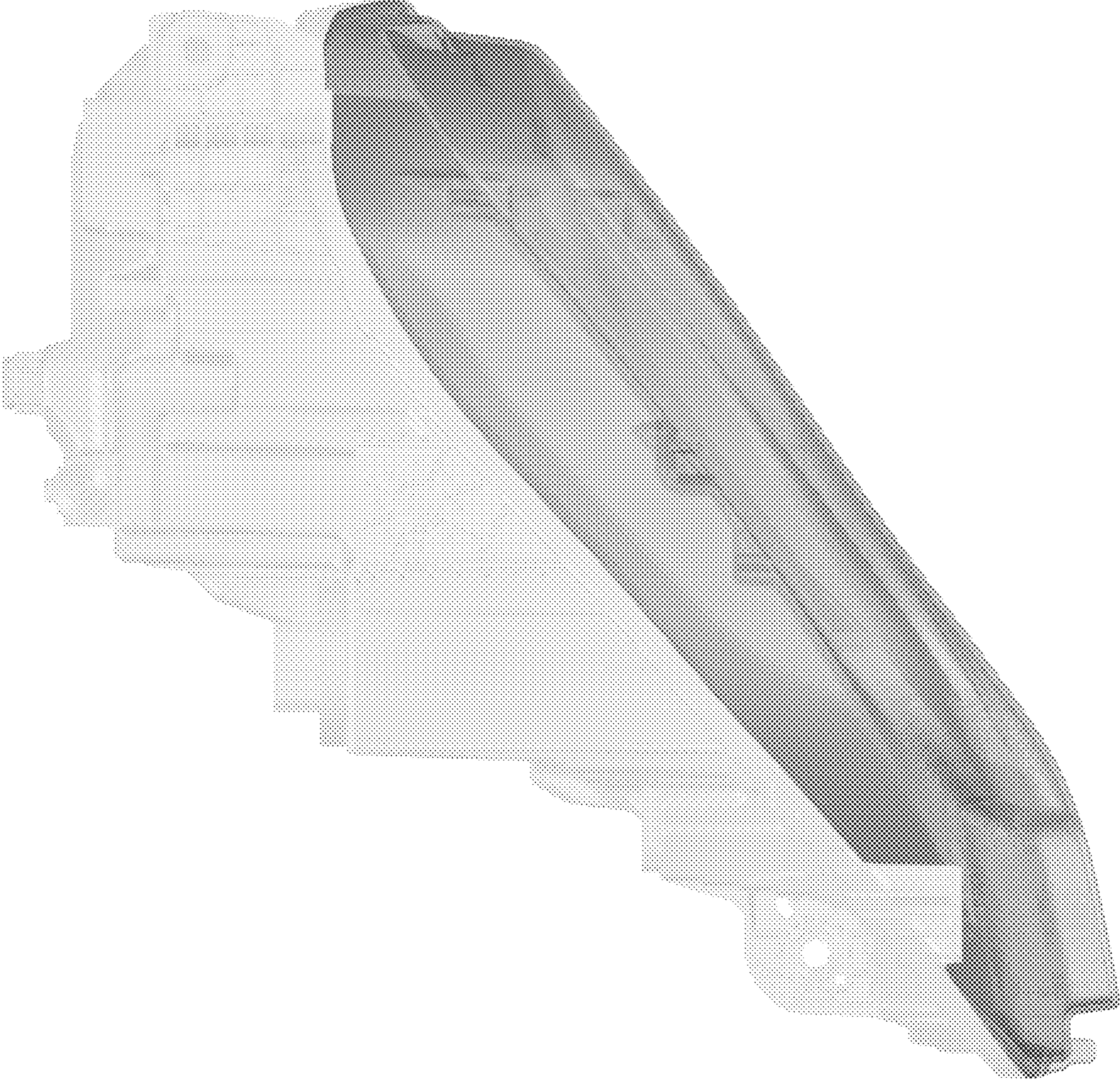
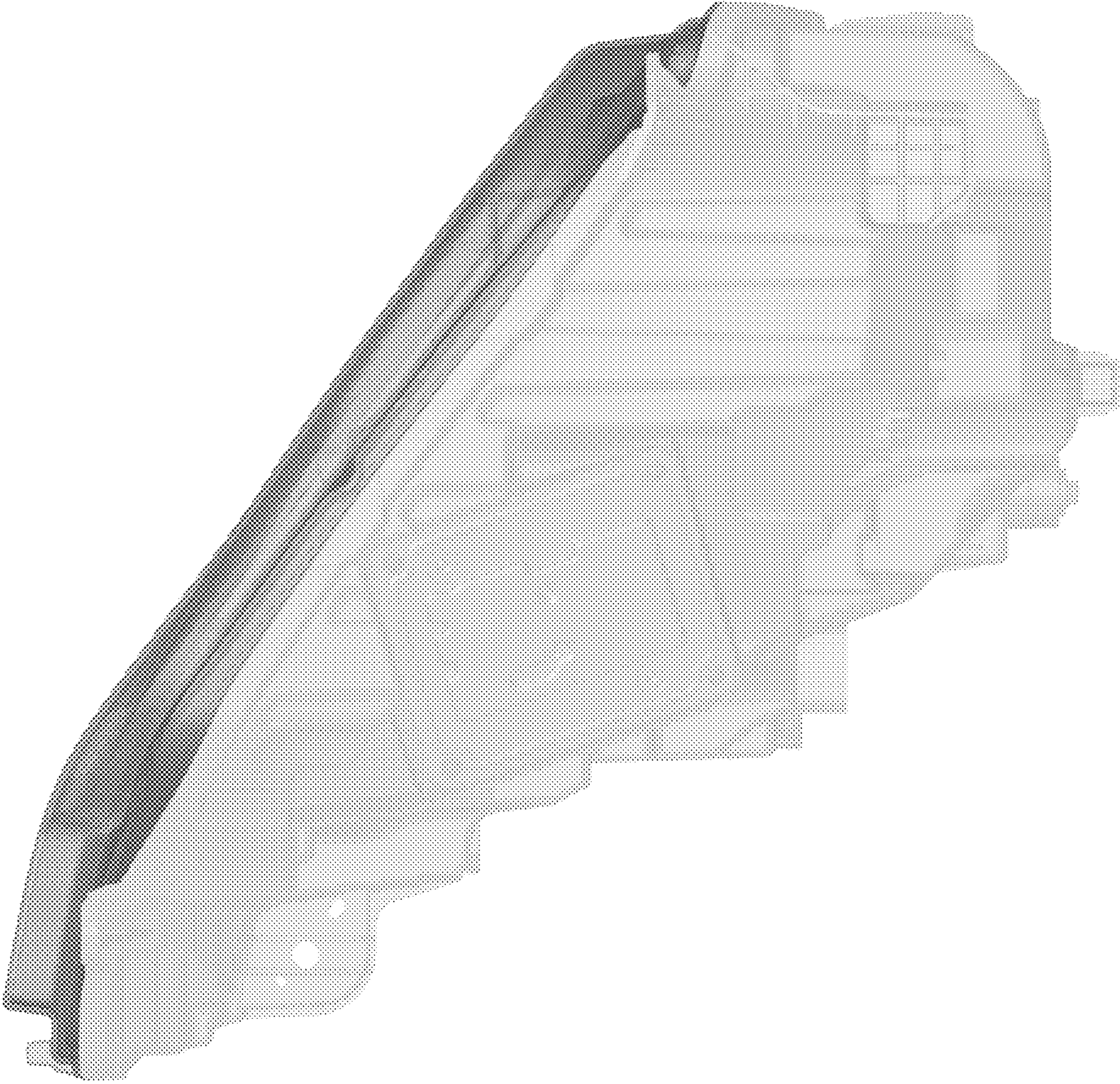


Fig. 5



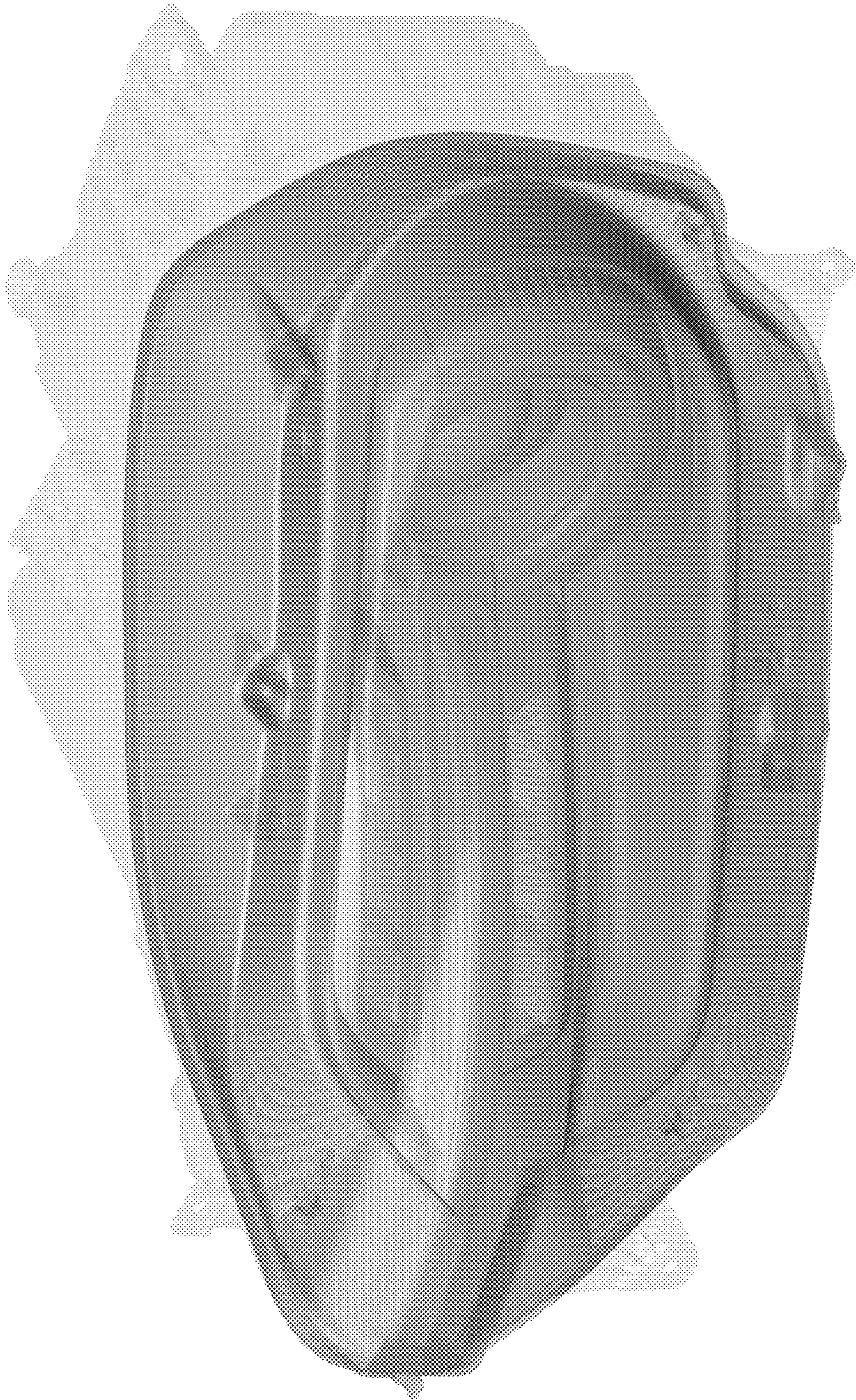


Fig.6

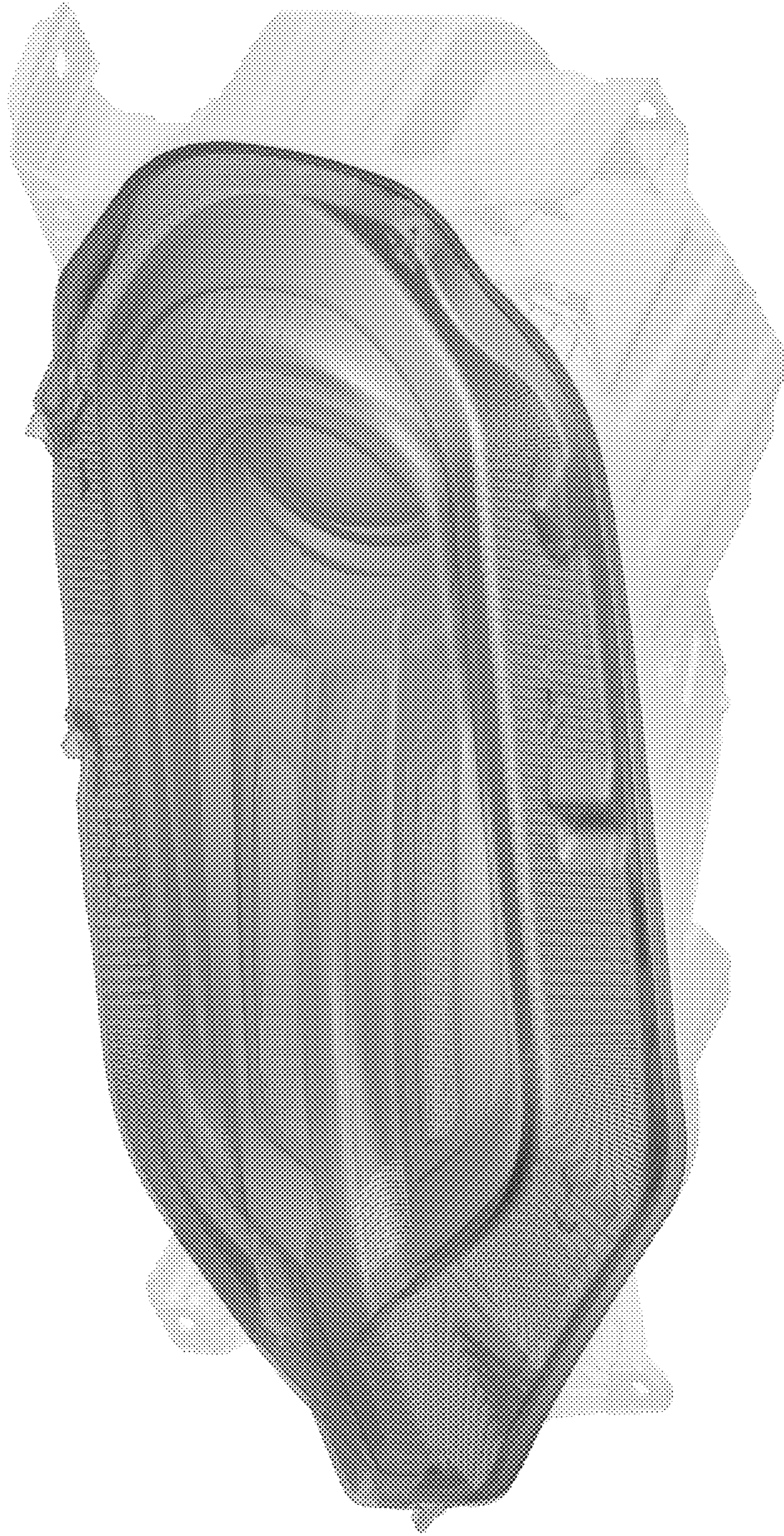


Fig. 7