



US00D919129S

(12) **United States Design Patent** (10) **Patent No.:** **US D919,129 S**
Schrama et al. (45) **Date of Patent:** **** *May 11, 2021**

- (54) **OPTICAL MODULE WITH LED EMITTING RED-COLORED LIGHT**
- (71) Applicant: **Lumileds LLC**, San Jose, CA (US)
- (72) Inventors: **Charles André Schrama**, San Jose, CA (US); **Mehdi Aas**, Eindhoven (NL)
- (73) Assignee: **LUMILEDS LLC**, San Jose, CA (US)
- (*) Notice: This patent is subject to a terminal disclaimer.
- (**) Term: **15 Years**
- (21) Appl. No.: **29/694,997**
- (22) Filed: **Jun. 14, 2019**
- (51) **LOC (13) Cl.** **26-03**
- (52) **U.S. Cl.**
USPC **D26/24**
- (58) **Field of Classification Search**
USPC D26/1, 24, 25, 28, 35, 80, 86, 120;
D13/133, 180; 362/249.02, 249.04, 224,
362/225, 227, 240
CPC F21L 4/00; F21L 4/02; F21L 4/025; F21L
4/027; F21V 5/007; H01J 3/38; H01S
3/034; H01S 5/022; H01S 5/02208; F21Y
2115/10; F21S 2/005
See application file for complete search history.

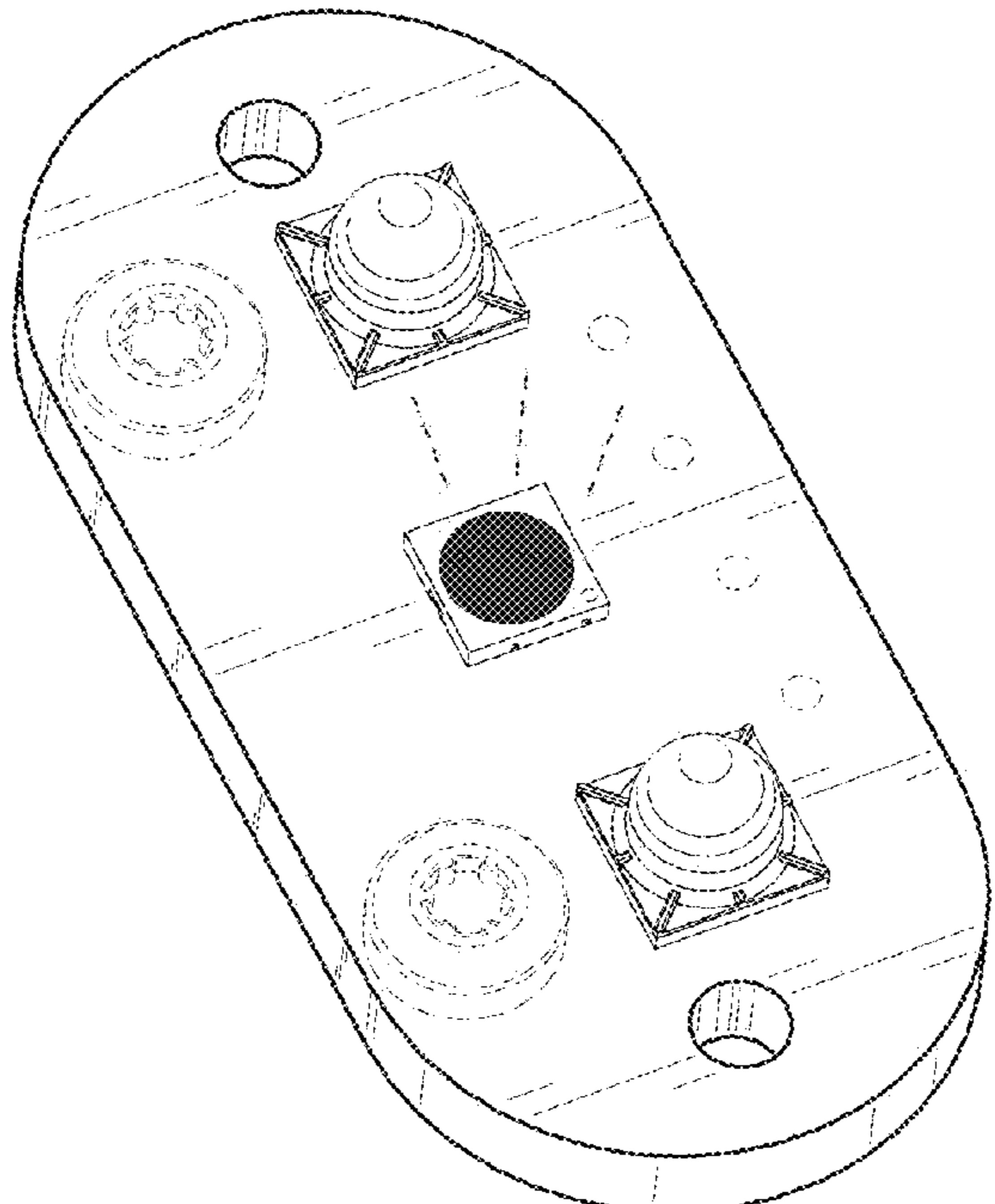
- (56) **References Cited**
U.S. PATENT DOCUMENTS
5,893,633 A * 4/1999 Uchio F21K 9/00
257/E25.02
D592,162 S * 5/2009 Sugimoto D13/180
(Continued)

Primary Examiner — Wan Laymon
Assistant Examiner — Clint A Samuel

(74) *Attorney, Agent, or Firm* — Seyfarth Shaw LLP
(57) **CLAIM**
The ornamental design for an optical module with LED emitting red-colored light, as shown and described.

DESCRIPTION
The patent or application file contains a least one drawing executed in color. Copies of this patent or patent application publication with color drawing(s) will be provided by the Office upon request and payment of the necessary fee. The red shading and illumination lines emanating from a depicted LED represent a portion of the design where red-colored light is emitted from an illuminated LED of the design. The remaining black and white portions of the design do not represent or claim any particular color. Any components in the appended drawings shown in broken lines are for illustrative purposes only and form no part of the claimed design or a specified embodiment thereof. FIG. 1 is a top perspective view of an optical module with LED emitting red-colored light, showing our new invention; FIG. 2 is a bottom perspective view of the optical module with at least one LED that emits red-colored light of FIG. 1; FIG. 3 is a first side view of the optical module with at least one LED that emits red-colored light of FIG. 1; FIG. 4 is a second side view of the optical module with at least one LED that emits red-colored light of FIG. 1; FIG. 5 is a third side view of the optical module with at least one LED that emits red-colored light of FIG. 1; FIG. 6 is a fourth side view of the optical module with at least one LED that emits red-colored light of FIG. 1; FIG. 7 is a top view of the optical module with at least one LED that emits red-colored light of FIG. 1; and, FIG. 8 is a bottom view of the optical module with at least one LED that emits red-colored light of FIG. 1. The broken lines in the drawings form no part of the claimed design.

1 Claim, 8 Drawing Sheets
(6 of 8 Drawing Sheet(s) Filed in Color)



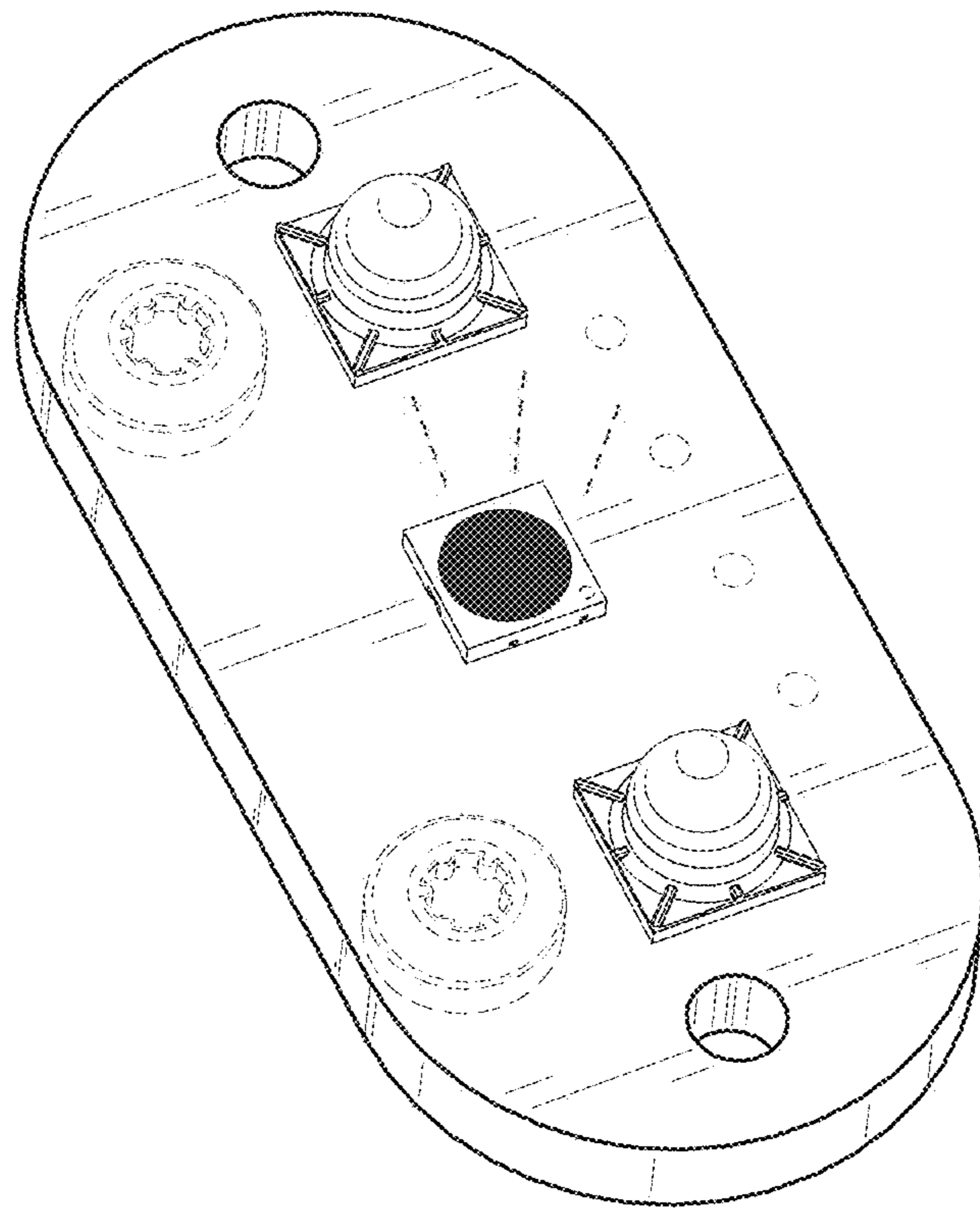


Fig.1

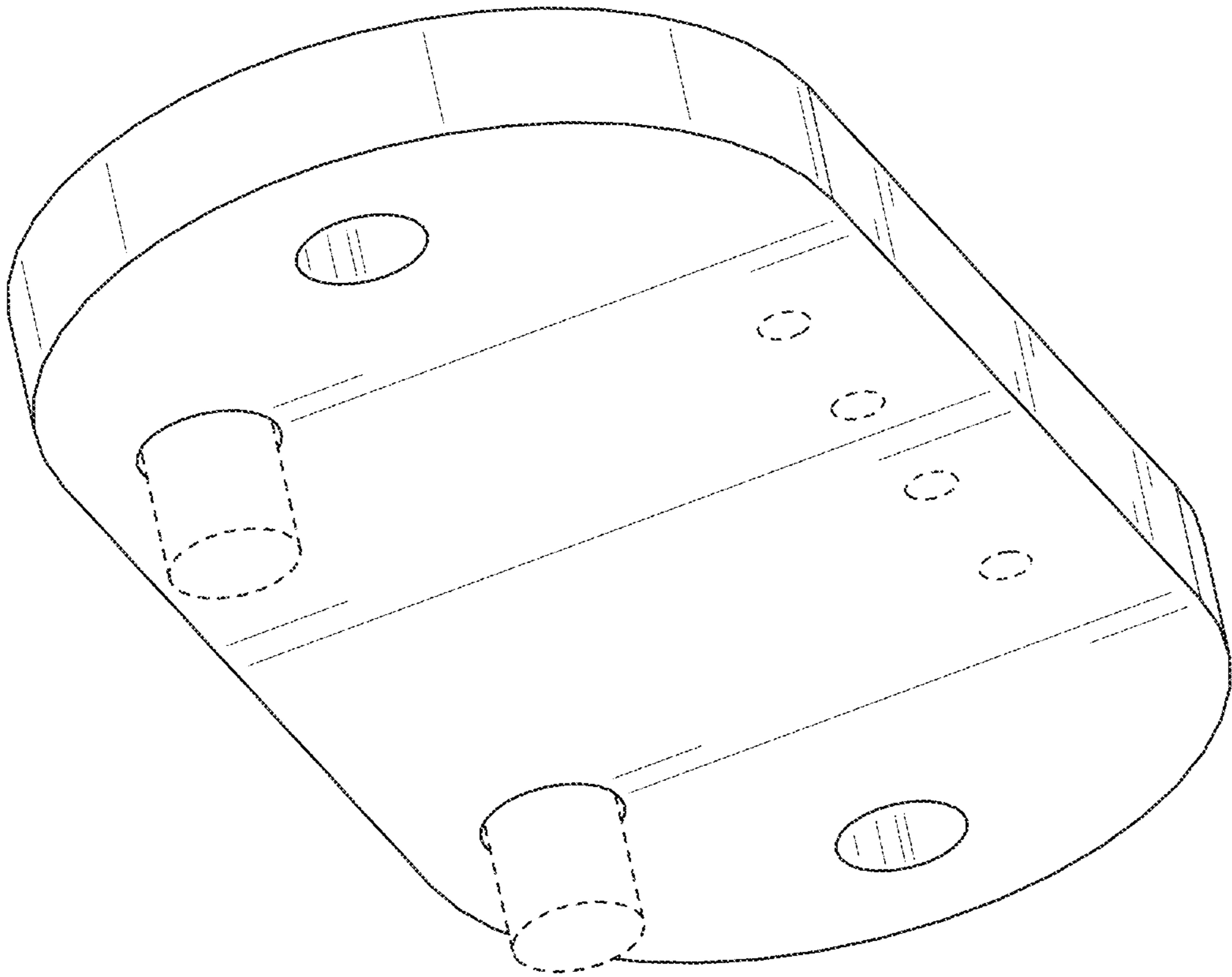


FIG. 2

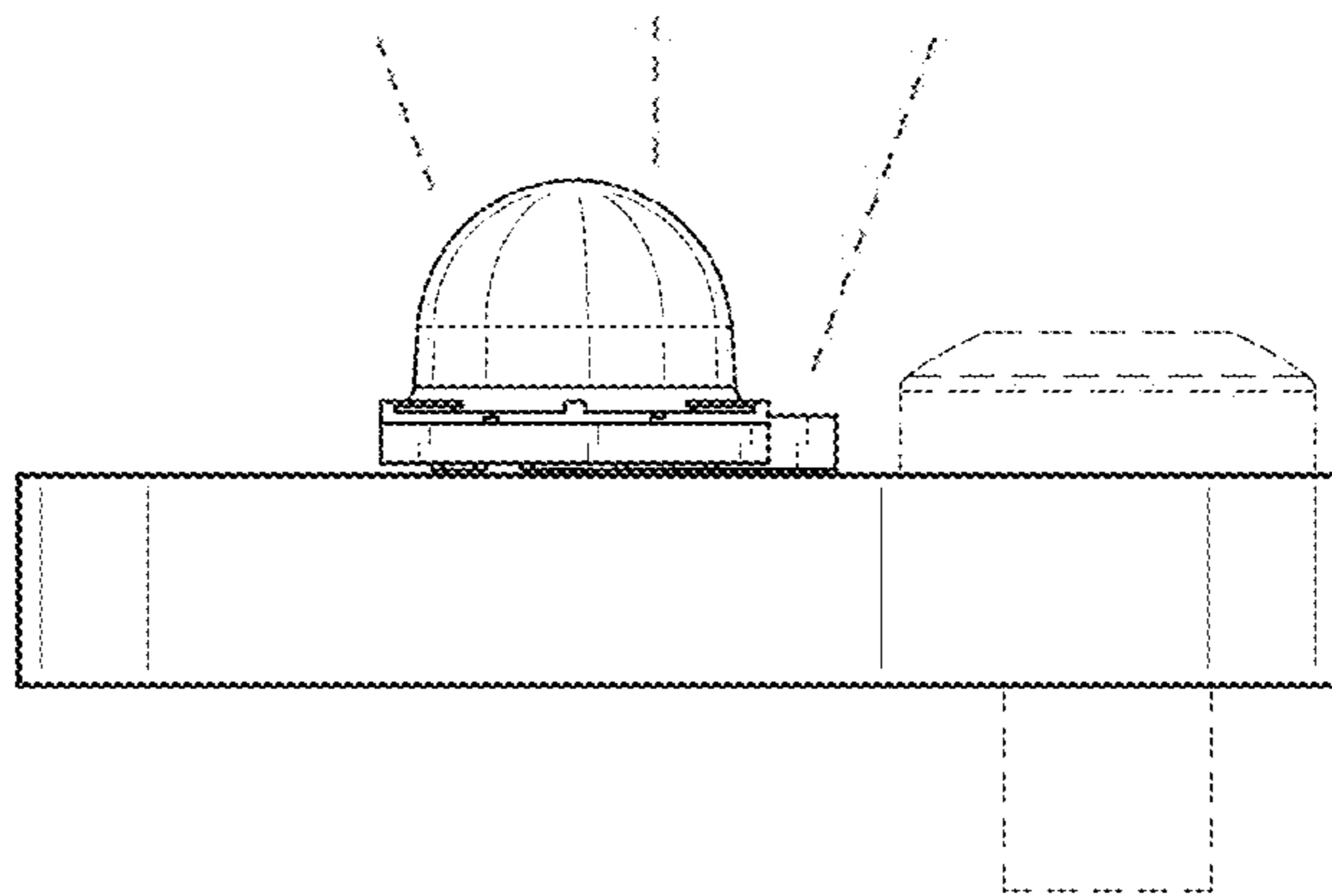


Fig.3

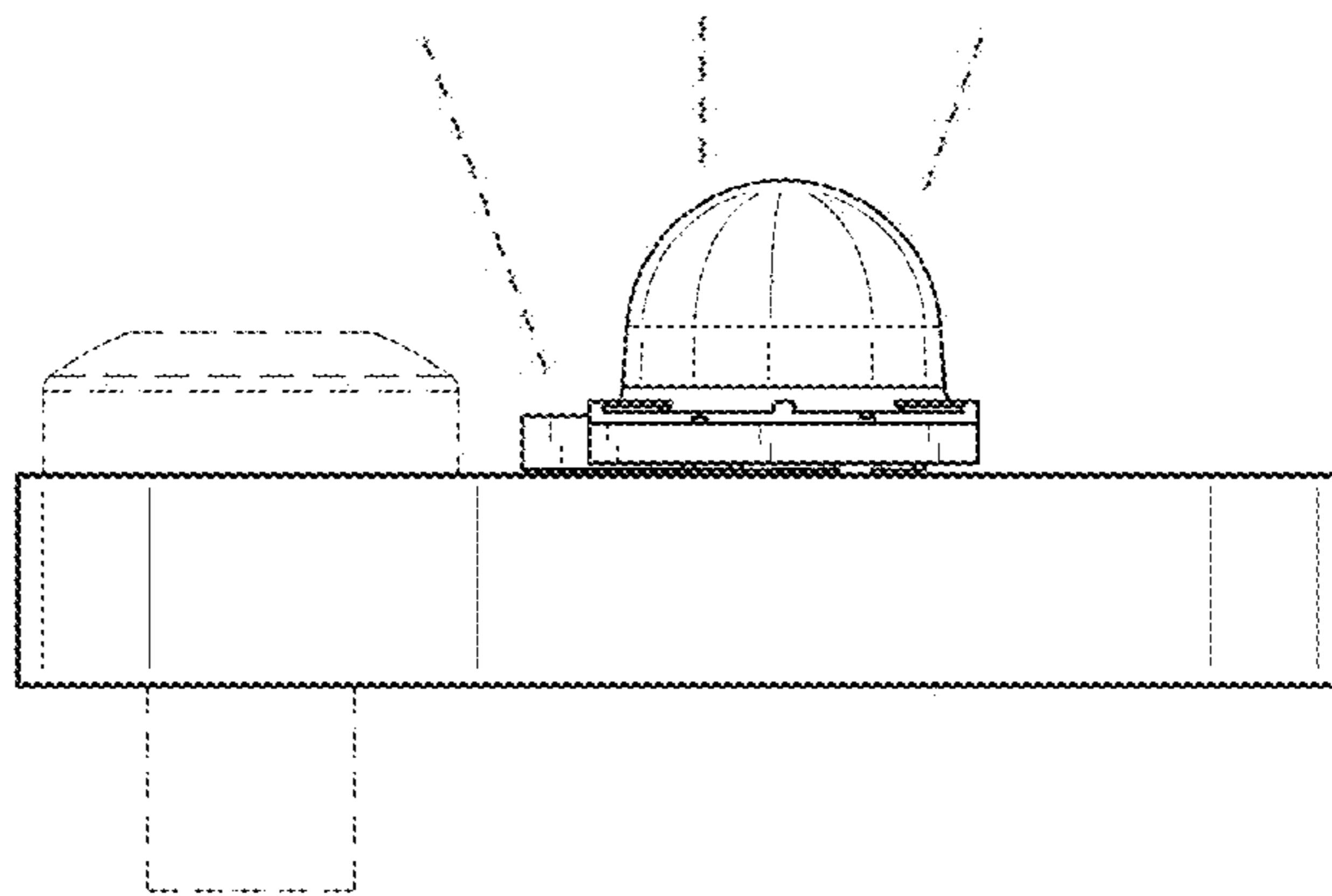


Fig.4

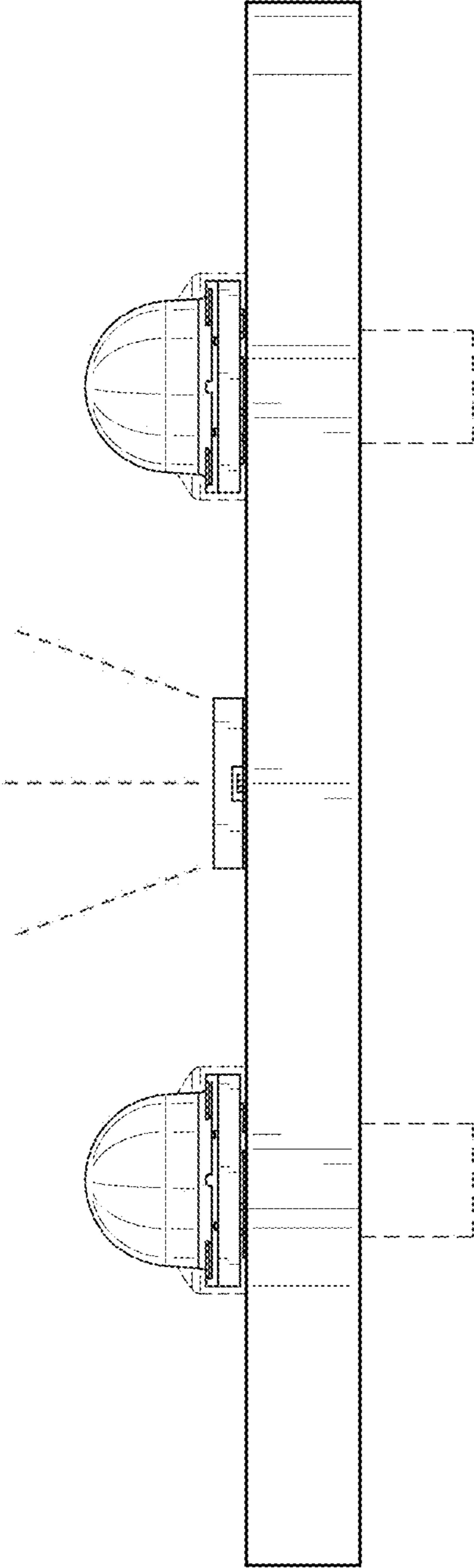


Fig.5

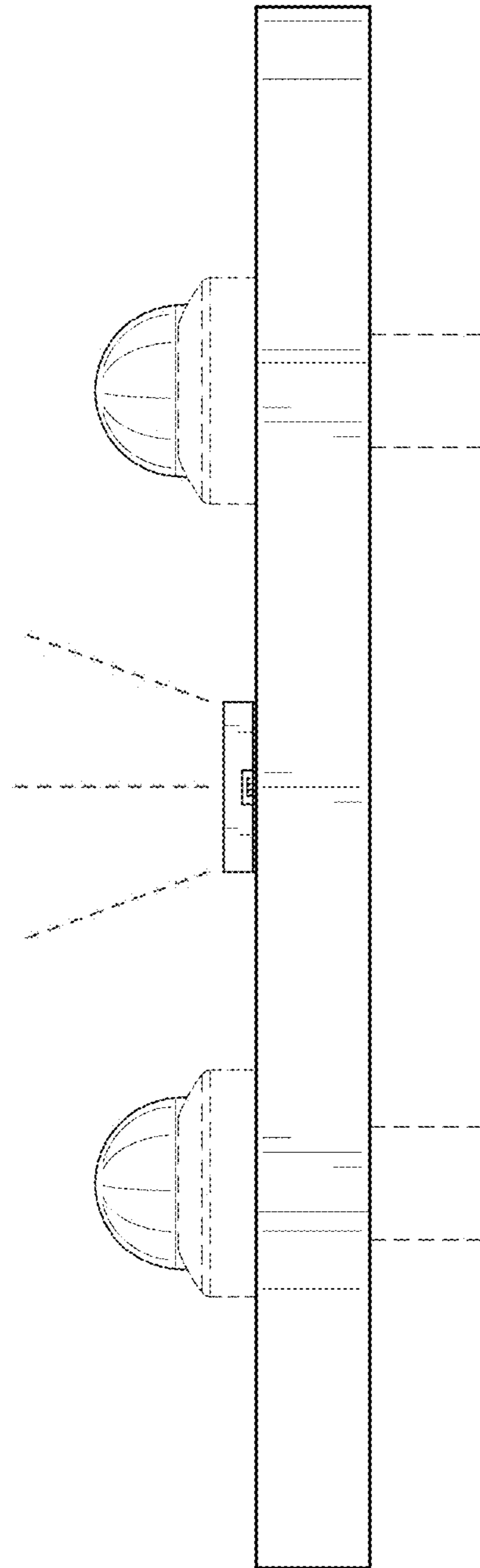


Fig.6

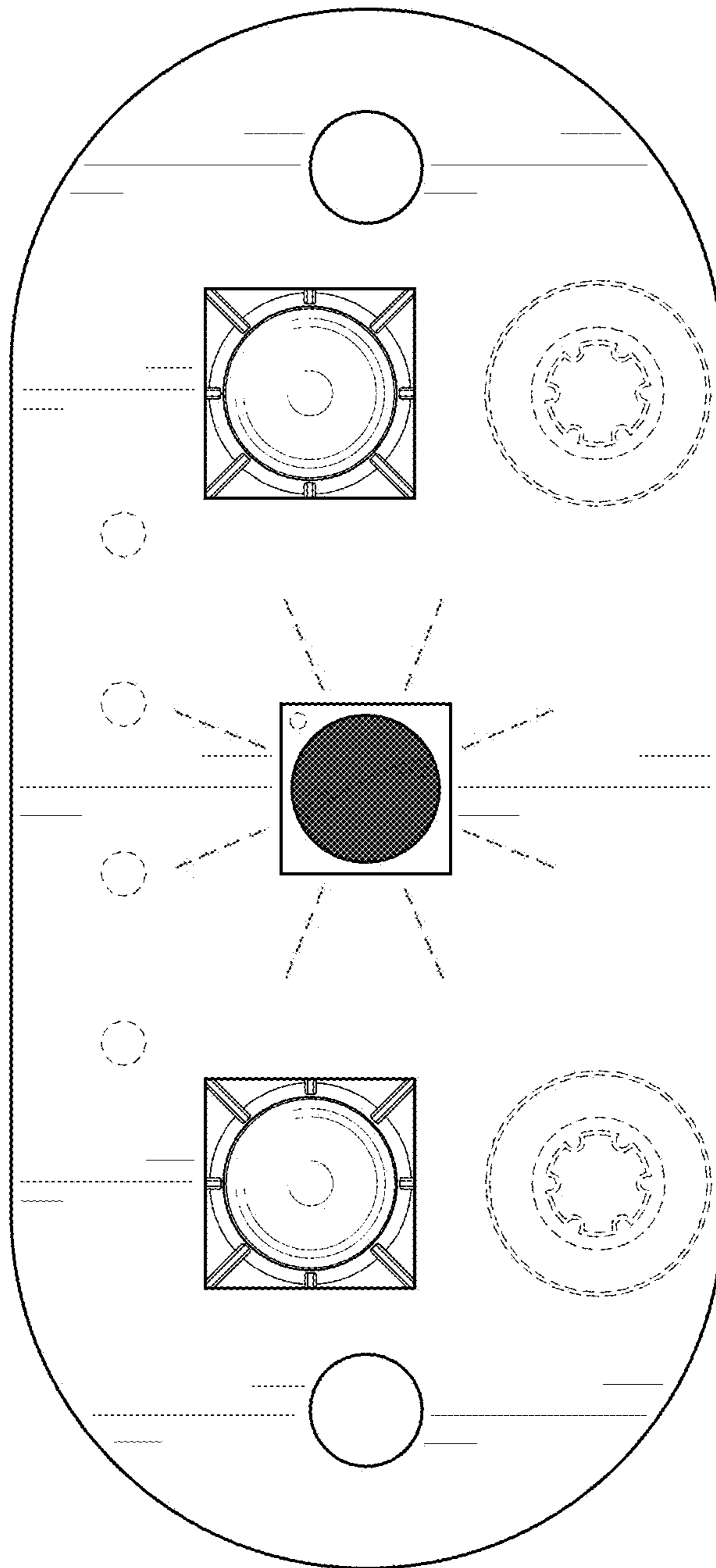


Fig.7

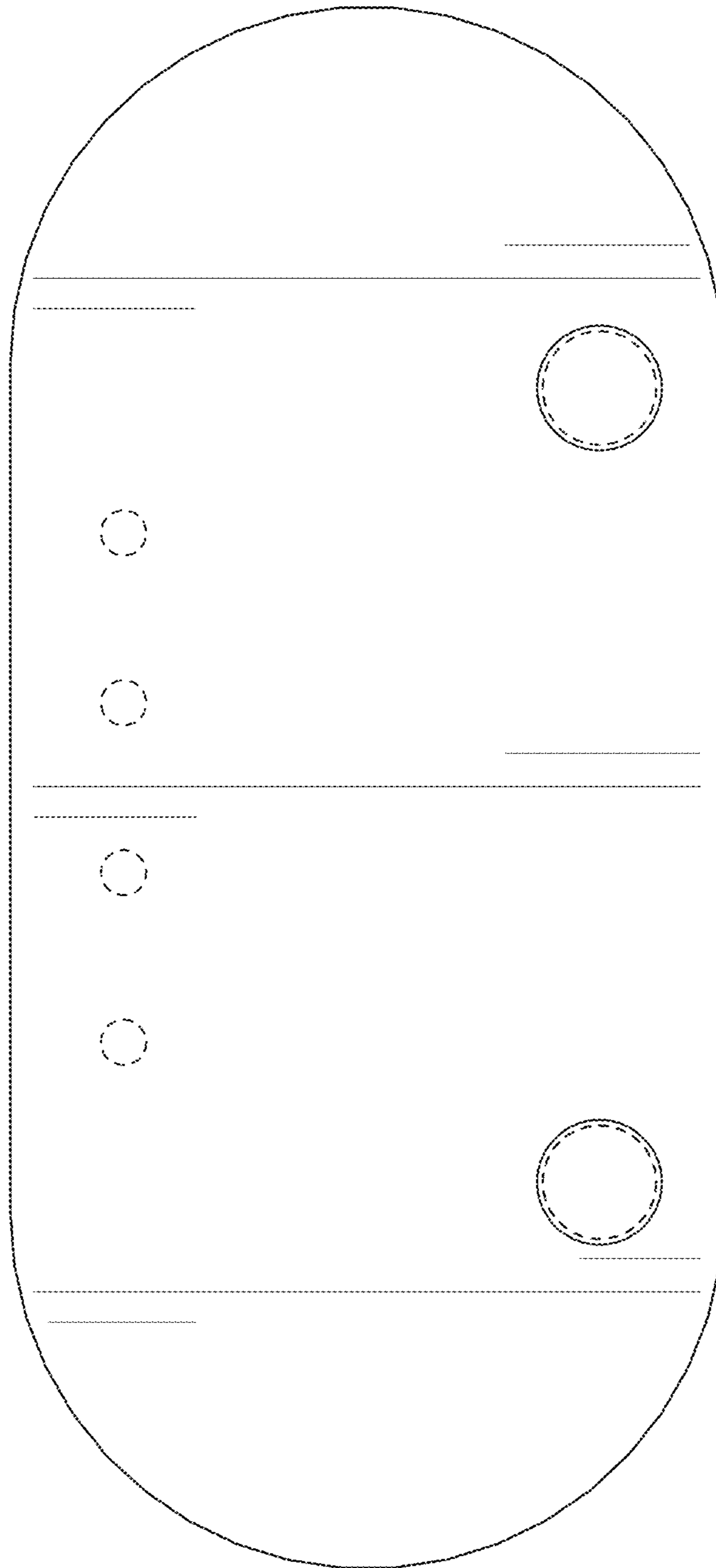


FIG. 8