



US00D919126S

(12) **United States Design Patent** (10) **Patent No.:** **US D919,126 S**
Hill et al. (45) **Date of Patent:** **** May 11, 2021**

(54) **PANEL**

OTHER PUBLICATIONS

(71) Applicant: **Boral IP Holdings (Australia) PTY Limited**, North Sydney (AU)

International Search Report for PCT/US2018/067912 dated Apr. 24, 2019 (3 pages).

(Continued)

(72) Inventors: **Russell Hill**, San Antonio, TX (US); **Soufiane Mohand-Kaci**, San Antonio, TX (US); **Hamed Lakrout**, San Antonio, TX (US); **Russ Majors**, San Marcos, TX (US); **Bob Rathbone**, San Antonio, TX (US); **Nicholas Garcia**, San Antonio, TX (US); **Kenneth Bruns**, Charlotte, NC (US)

Primary Examiner — Doris Clark

(74) *Attorney, Agent, or Firm* — Bookoff McAndrews, PLLC

(57)

CLAIM

We claim the ornamental design for a panel, as shown and described.

DESCRIPTION

(73) Assignee: **Boral IP Holdings (Australia) PTY Limited**, North Sydney (AU)

FIG. 1 is a left, bottom, and front perspective view of a first embodiment of a panel,

FIG. 2 is a front plan view of the panel of FIG. 1,

FIG. 3 is a right elevation view of the panel of FIG. 1,

FIG. 4 is a left elevation view of the panel of FIG. 1,

FIG. 5 is a bottom elevation view of the panel of FIG. 1,

FIG. 6 is a top elevation view of the panel of FIG. 1,

FIG. 7 is a right, bottom, and rear perspective view of the panel of FIG. 1,

FIG. 8 is a rear elevation view of the panel of FIG. 1,

FIG. 9 is a left, bottom, and front perspective view of a second embodiment of the panel,

FIG. 10 is a front plan view of the panel of FIG. 9,

FIG. 11 is a right elevation view of the panel of FIG. 9,

FIG. 12, is a left elevation view of the panel of FIG. 9,

FIG. 13 is a bottom elevation view of the panel of FIG. 9,

FIG. 14 is a top elevation view of the panel of FIG. 9,

FIG. 15 is a right, bottom, and rear perspective view of the panel of FIG. 9,

FIG. 16 is a rear elevation view of the panel of FIG. 9,

FIG. 17 is a left, bottom, and front perspective view of a third embodiment of the panel,

FIG. 18 is a front plan view of the panel of FIG. 17,

FIG. 19 is a right elevation view of the panel of FIG. 17,

FIG. 20 is a left elevation view of the panel of FIG. 17,

FIG. 21 is a bottom elevation view of the panel of FIG. 17,

FIG. 22 is a top elevation view of the panel of FIG. 17,

FIG. 23 is a right, bottom, and rear perspective view of the panel of FIG. 17; and,

FIG. 24 is a rear elevation view of the panel of FIG. 17.

(**) Term: **15 Years**

(21) Appl. No.: **29/631,899**

(22) Filed: **Jan. 3, 2018**

(51) **LOC (13) Cl.** **25-01**

(52) **U.S. Cl.**
USPC **D25/163**

(58) **Field of Classification Search**
USPC D25/138, 163

(Continued)

(56) **References Cited**

U.S. PATENT DOCUMENTS

1,931,709 A 10/1933 Schaffert
3,034,261 A 5/1962 Hollmann et al.

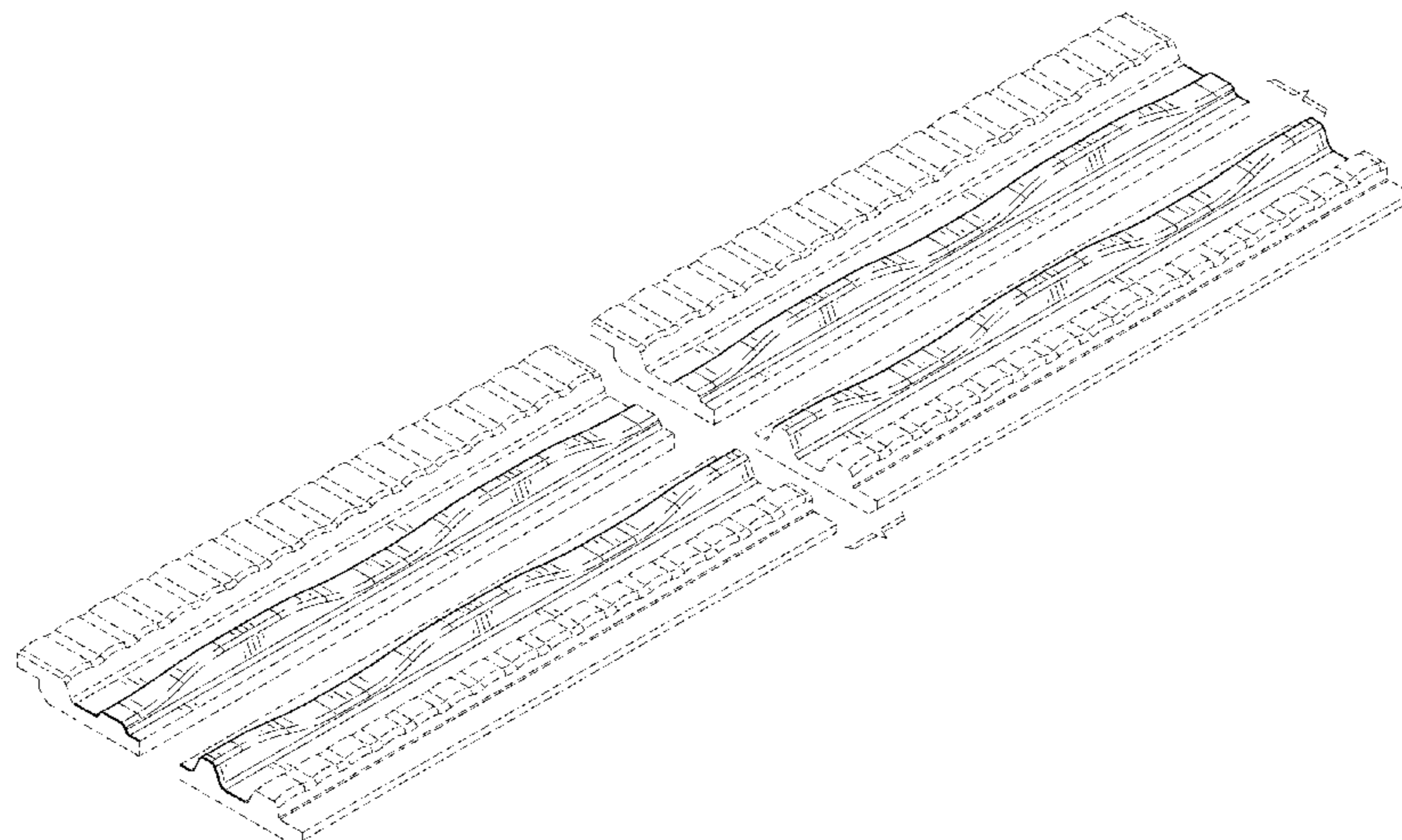
(Continued)

FOREIGN PATENT DOCUMENTS

DE 10049172 A1 4/2002
EP 1275480 A2 1/2003

(Continued)

1 Claim, 15 Drawing Sheets



(58) **Field of Classification Search**

CPC ... E04F 13/007; E04F 13/072; E04F 13/0826;
E04F 13/147; E04B 2/64; E04B 2/702;
B32B 2419/00

See application file for complete search history.

(56) **References Cited**

U.S. PATENT DOCUMENTS

3,236,895	A	2/1966	Lee et al.	
4,096,679	A	6/1978	Naz	
4,104,841	A	8/1978	Naz	
4,130,974	A *	12/1978	Chalmers	E04D 1/265 29/897.32
4,883,826	A	11/1989	Marugg et al.	
5,060,444	A	10/1991	Paquette	
1,426,872	A	8/1992	Hummed	
5,465,547	A	11/1995	Jakel	
5,692,347	A	12/1997	Hulek	
5,809,731	A	9/1998	Reiss	
7,694,477	B2 *	4/2010	Kuelker	E04F 19/061 52/302.3
7,790,784	B2	9/2010	Nasr et al.	
8,484,931	B2 *	7/2013	Gleeson	E04F 19/062 52/747.1
8,549,806	B2	10/2013	Snyder	
8,621,799	B2	1/2014	Sade	
8,695,303	B2	4/2014	Swanson	
8,782,988	B2 *	7/2014	Wolf	B29C 39/18 52/539
D729,417	S *	5/2015	Martin	D25/163
9,027,302	B2	5/2015	Buoni et al.	
9,068,353	B1 *	6/2015	Kovalchuk	E04F 13/0814
9,267,296	B2	2/2016	Maurer et al.	
D755,401	S	5/2016	Hill et al.	
D755,407	S	5/2016	Hill et al.	
D755,408	S	5/2016	Hill et al.	
D755,411	S	5/2016	Hill et al.	
D755,989	S	5/2016	Hill et al.	
D755,990	S	5/2016	Hill et al.	
D755,991	S	5/2016	Hill et al.	
D755,992	S	5/2016	Hill et al.	
D755,993	S	5/2016	Hill et al.	
D757,960	S	5/2016	Hill et al.	
9,388,565	B2 *	7/2016	Gaudreau	E04F 13/0837

D783,185	S	4/2017	Bruns et al.	
D788,949	S	6/2017	Hill et al.	
9,677,270	B2 *	6/2017	Serino	B32B 37/14
9,752,328	B2 *	9/2017	Everhart, II	E04F 13/148
9,915,073	B1 *	3/2018	Hood	E04F 13/007
10,011,996	B1 *	7/2018	Sauerwein	E04F 13/0862
D840,554	S *	2/2019	Mendes Silva Castro ..	D25/163
10,370,861	B2	8/2019	Norwood et al.	
D886,332	S *	6/2020	Scharr	D25/138
2005/0081468	A1	4/2005	Wilson et al.	
2006/0019568	A1	1/2006	Toas	
2007/0094958	A1	5/2007	Rogers	
2007/0175154	A1	8/2007	Wilson et al.	
2007/0186501	A1	8/2007	Kuelker	
2008/0148672	A1	6/2008	Monteer	
2009/0007517	A1	1/2009	Swanson	
2009/0042471	A1	2/2009	Cashin et al.	
2009/0308001	A1	12/2009	Wu et al.	
2010/0088987	A1	4/2010	Monteer	
2010/0263315	A1	10/2010	Logan et al.	
2010/0281801	A1	11/2010	Shaw et al.	
2011/0154759	A1	6/2011	Wilson et al.	
2011/0269363	A1	11/2011	Cashin et al.	
2012/0247040	A1	10/2012	Buoni et al.	
2012/0285110	A1	11/2012	Mollinger et al.	
2012/0297697	A1	11/2012	Schaefer	
2012/0328823	A1	12/2012	Monteer	
2013/0125487	A1	5/2013	Power et al.	
2016/0280874	A1	9/2016	Crocco et al.	
2019/0017279	A1	1/2019	Norwood et al.	

FOREIGN PATENT DOCUMENTS

EP	1728936	A2	12/2006
JP	2000-240085	A	9/2000
WO	WO 8200312	A1	2/1982
WO	WO 2005/099418	A2	10/2005
WO	WO 2016/018226	A1	2/2016

OTHER PUBLICATIONS

Straube et al., Ventilated Wall Claddings: Review, Field Performance, and Hygrothermal Modeling, Research Report—0907, Building Science Press (2009).
U.S. Appl. No. 15/861,378, filed Jan. 3, 2018 (45 pages).

* cited by examiner

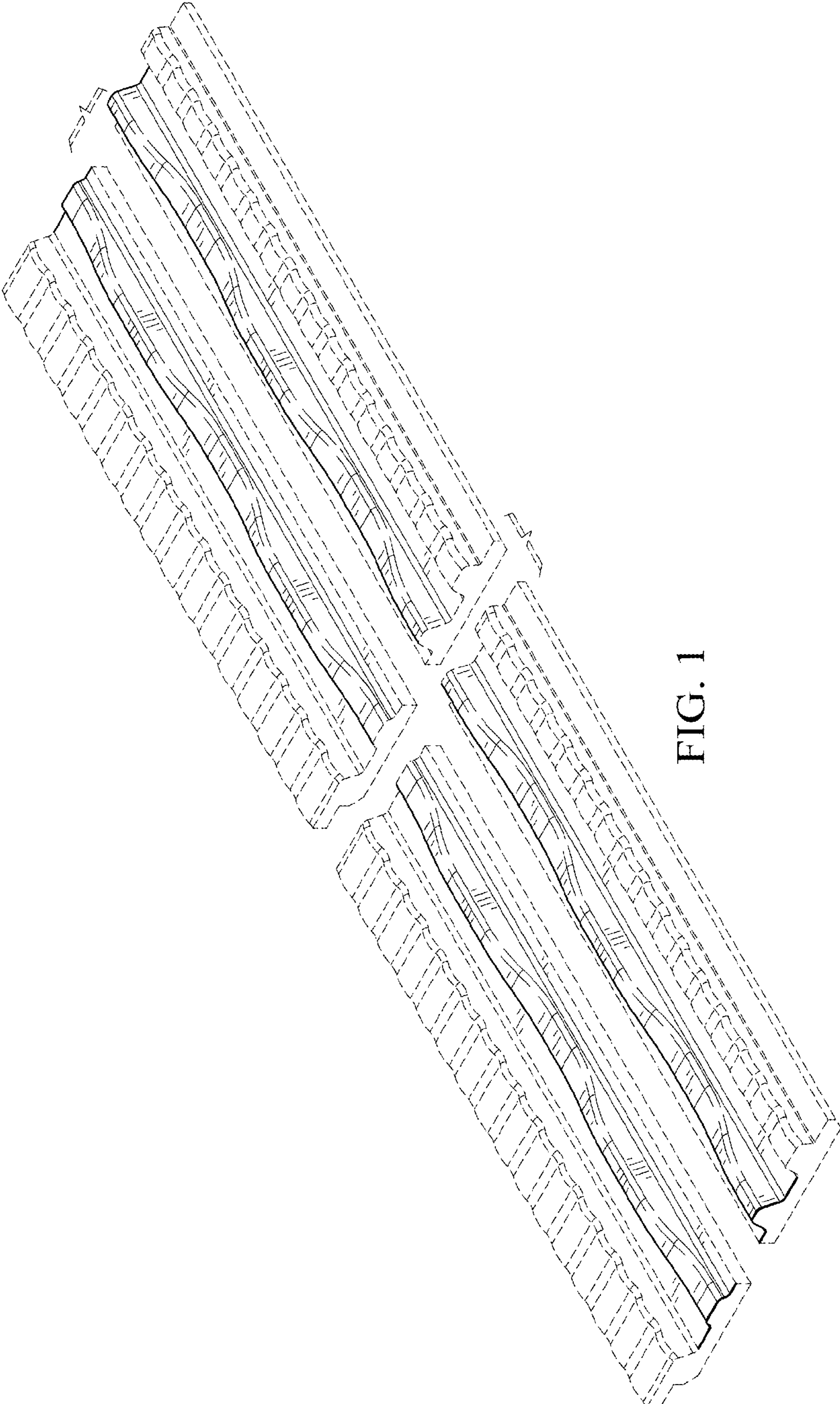


FIG. 1

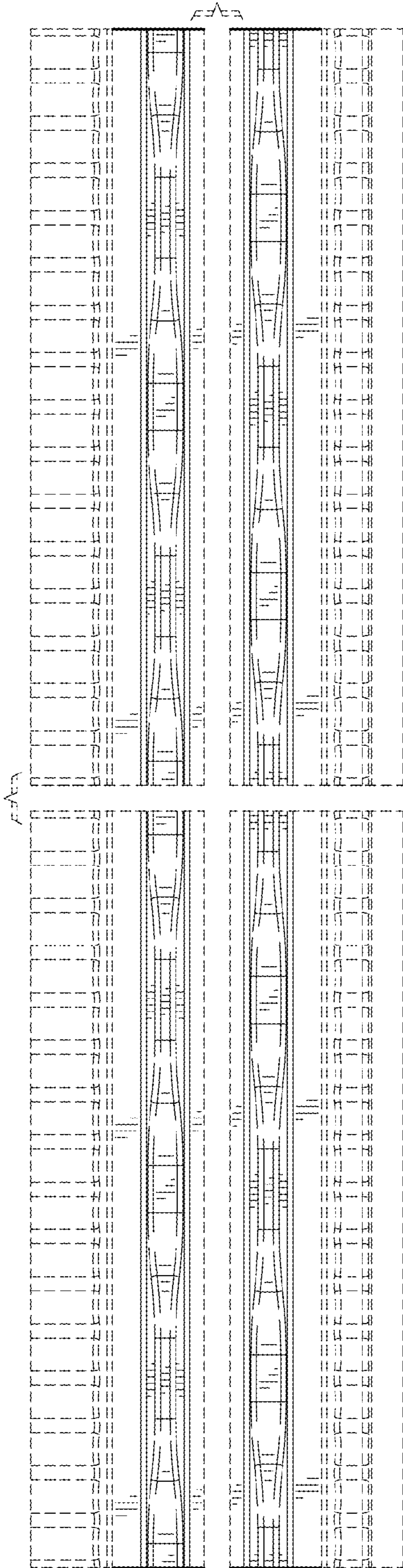


FIG. 2



FIG. 3

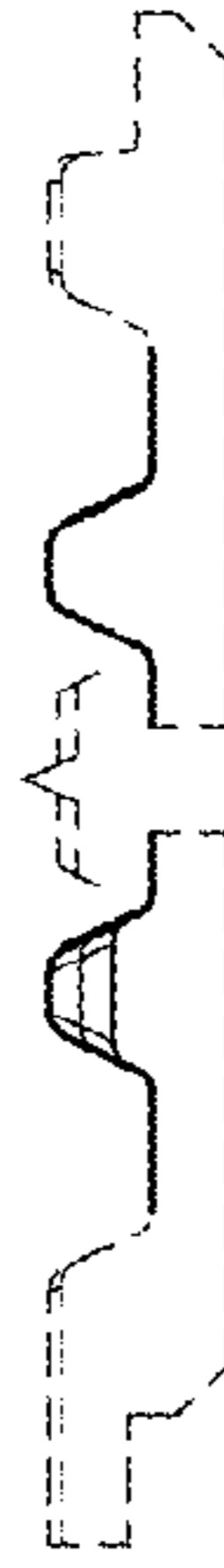


FIG. 4



FIG. 5



FIG. 6

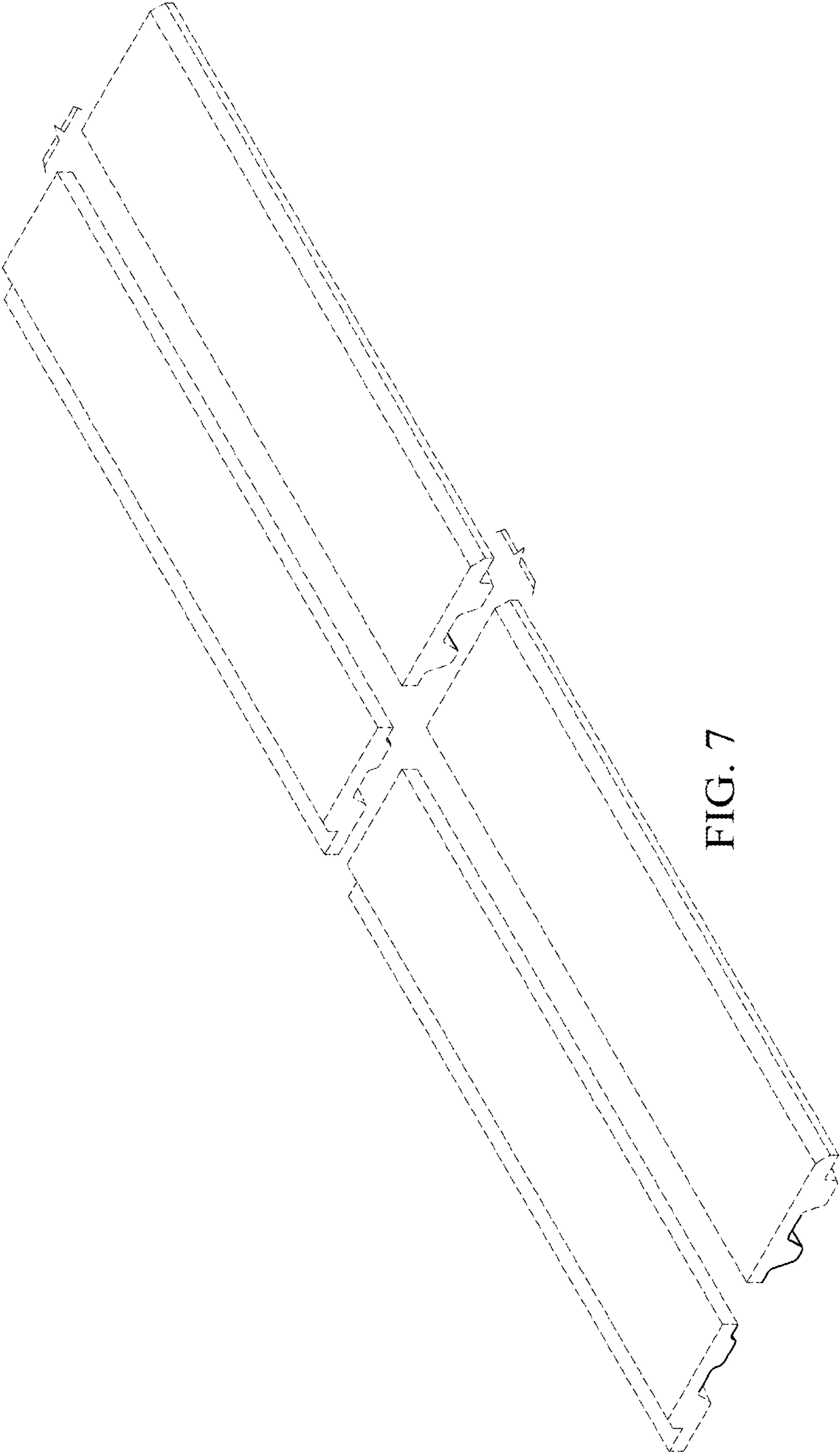


FIG. 7

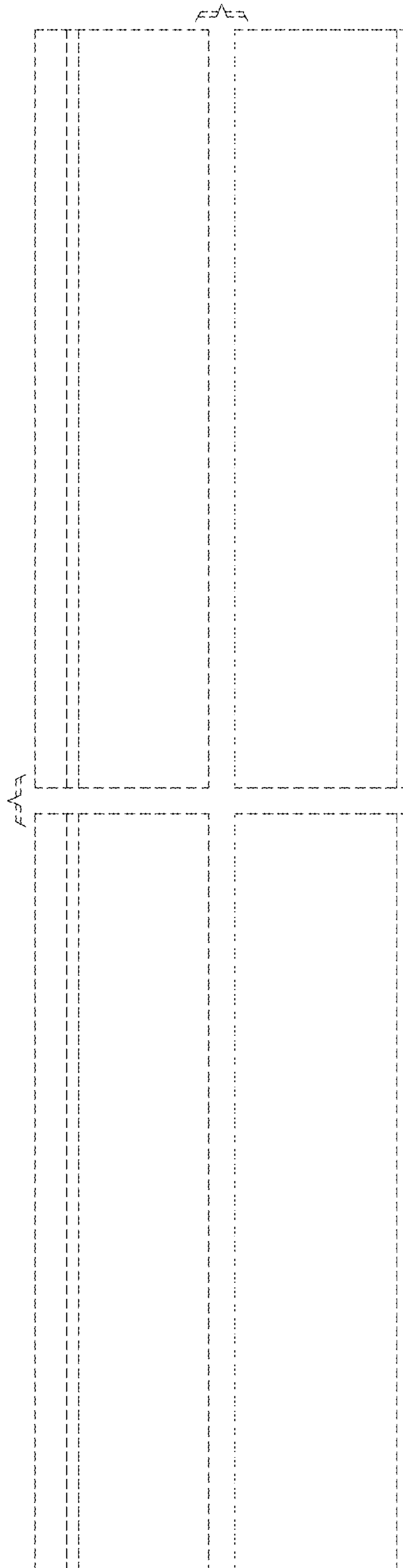


FIG. 8

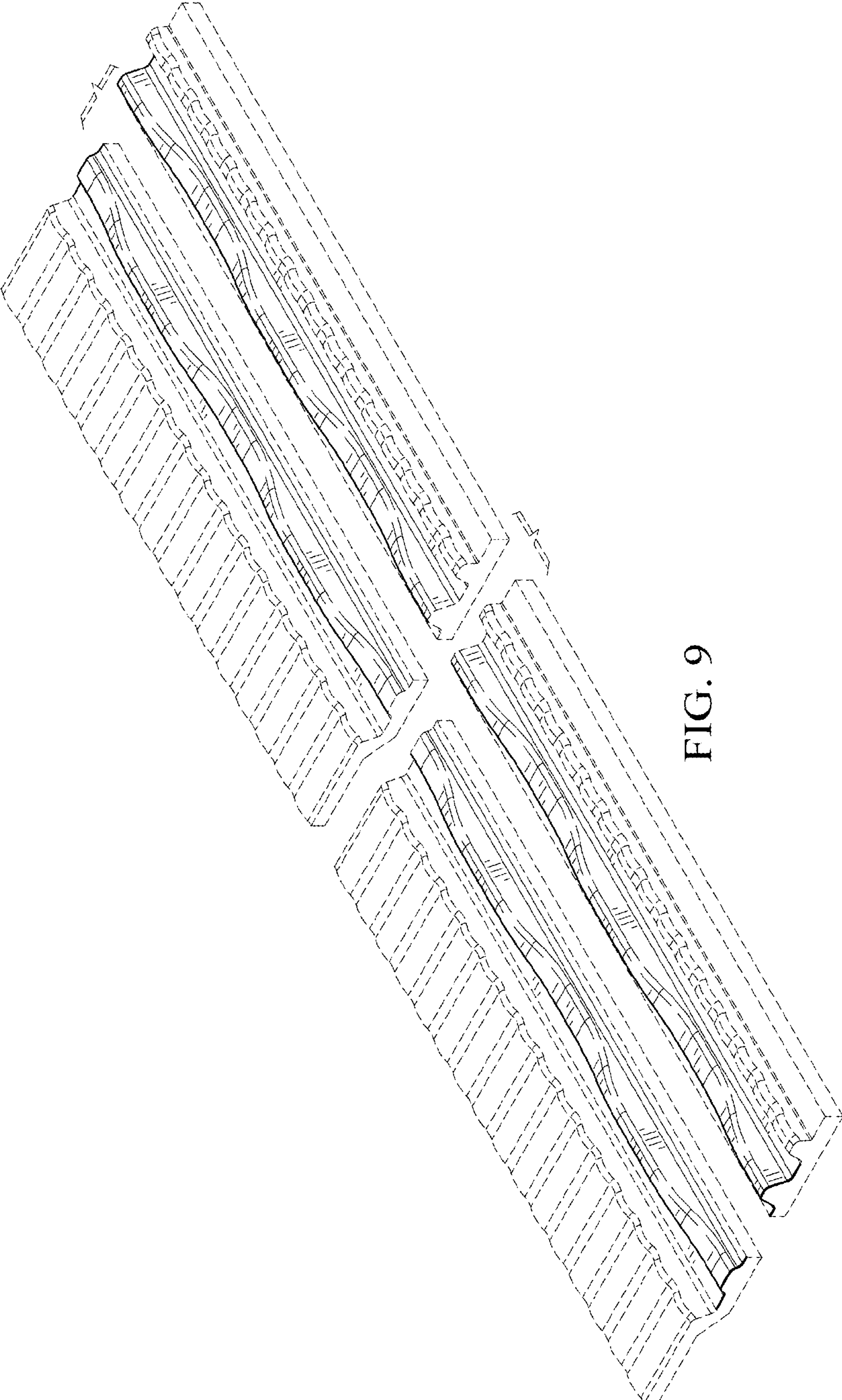


FIG. 9

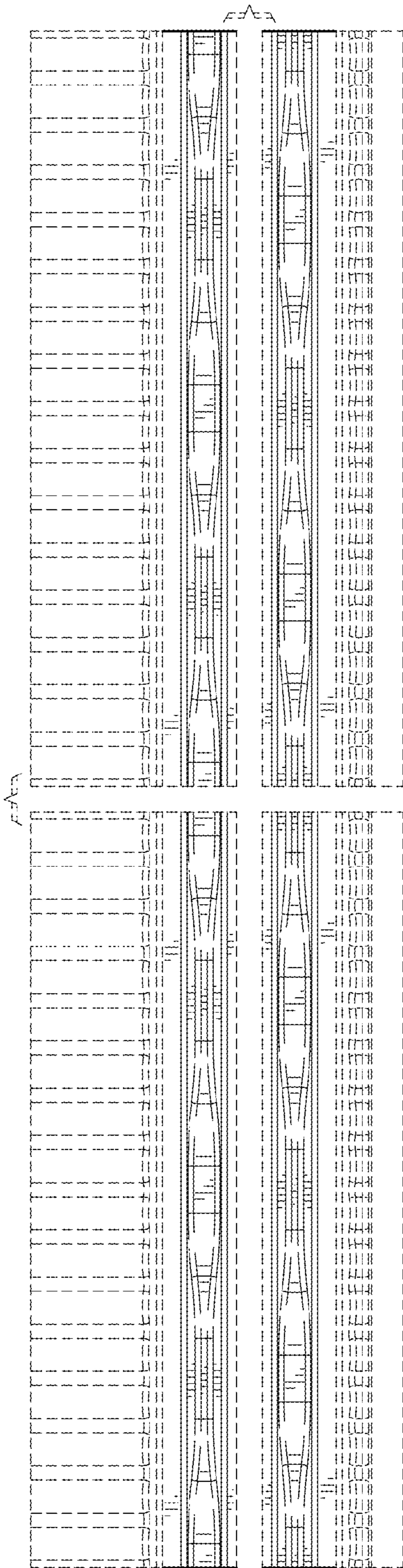


FIG. 10



FIG. 11



FIG. 12



FIG. 13

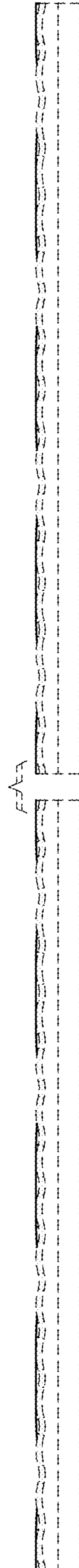


FIG. 14

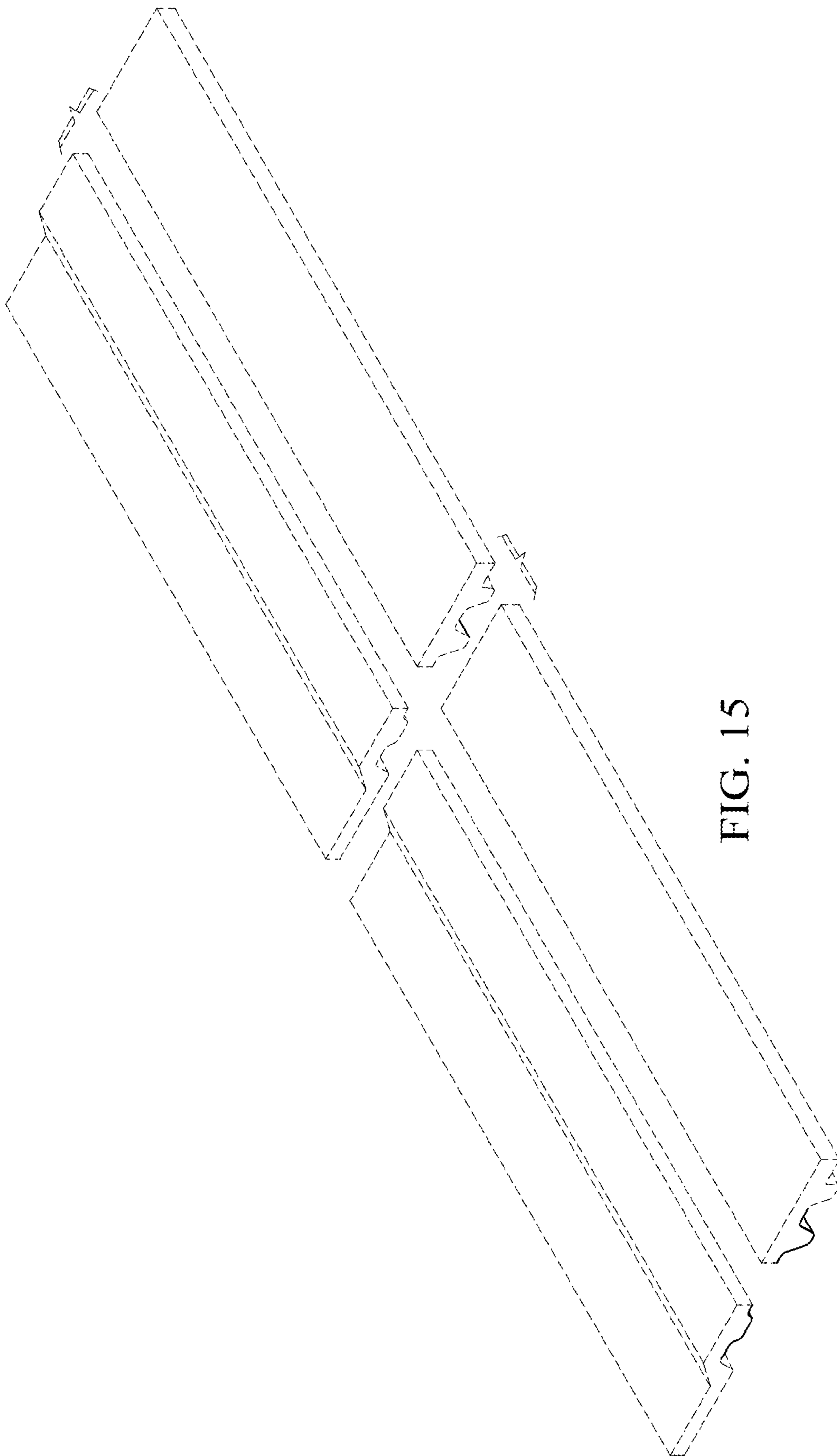


FIG. 15

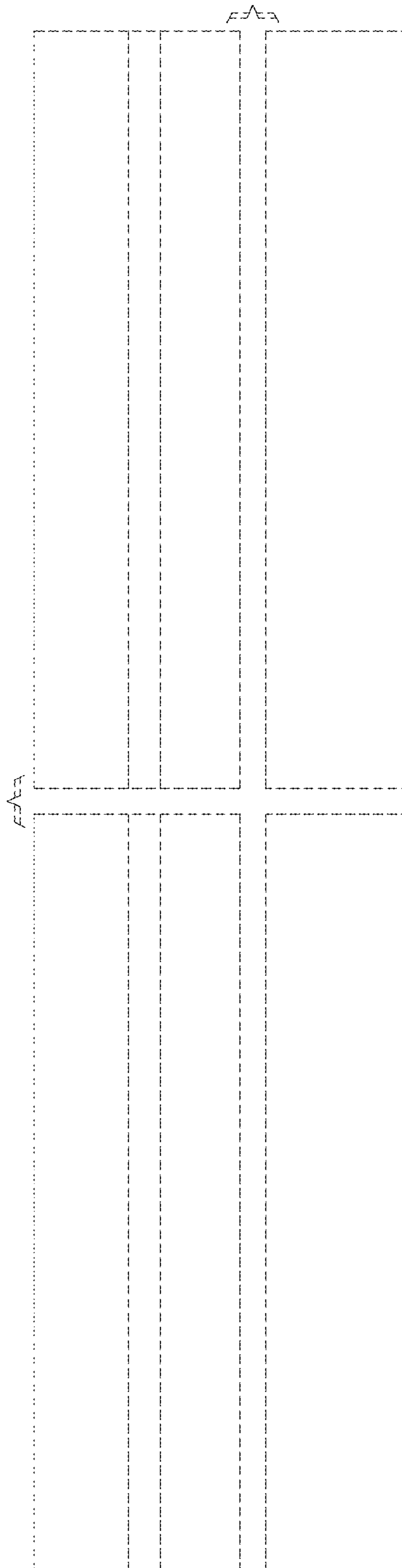


FIG. 16

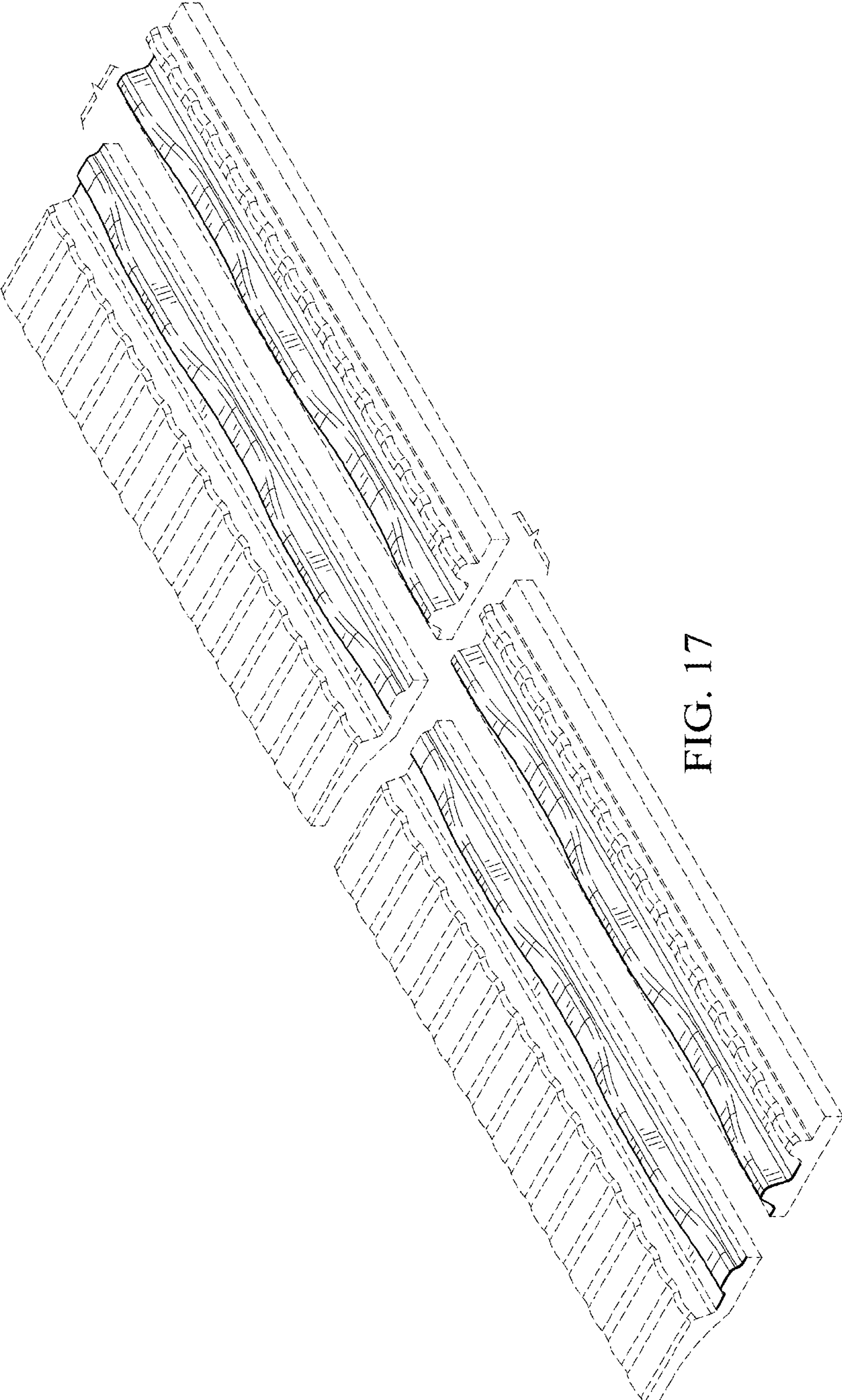


FIG. 17

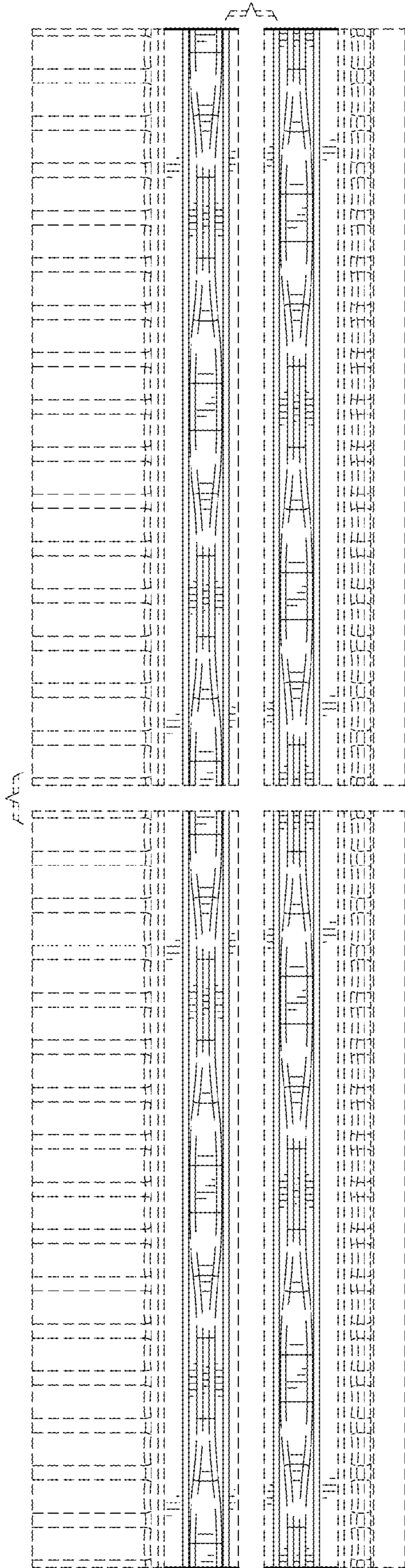


FIG. 18



FIG. 19



FIG. 20



FIG. 21

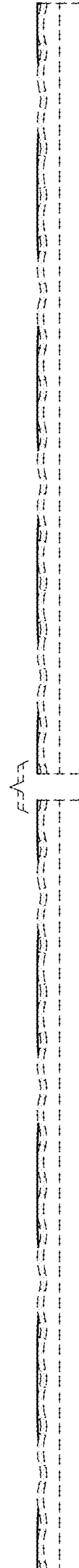


FIG. 22

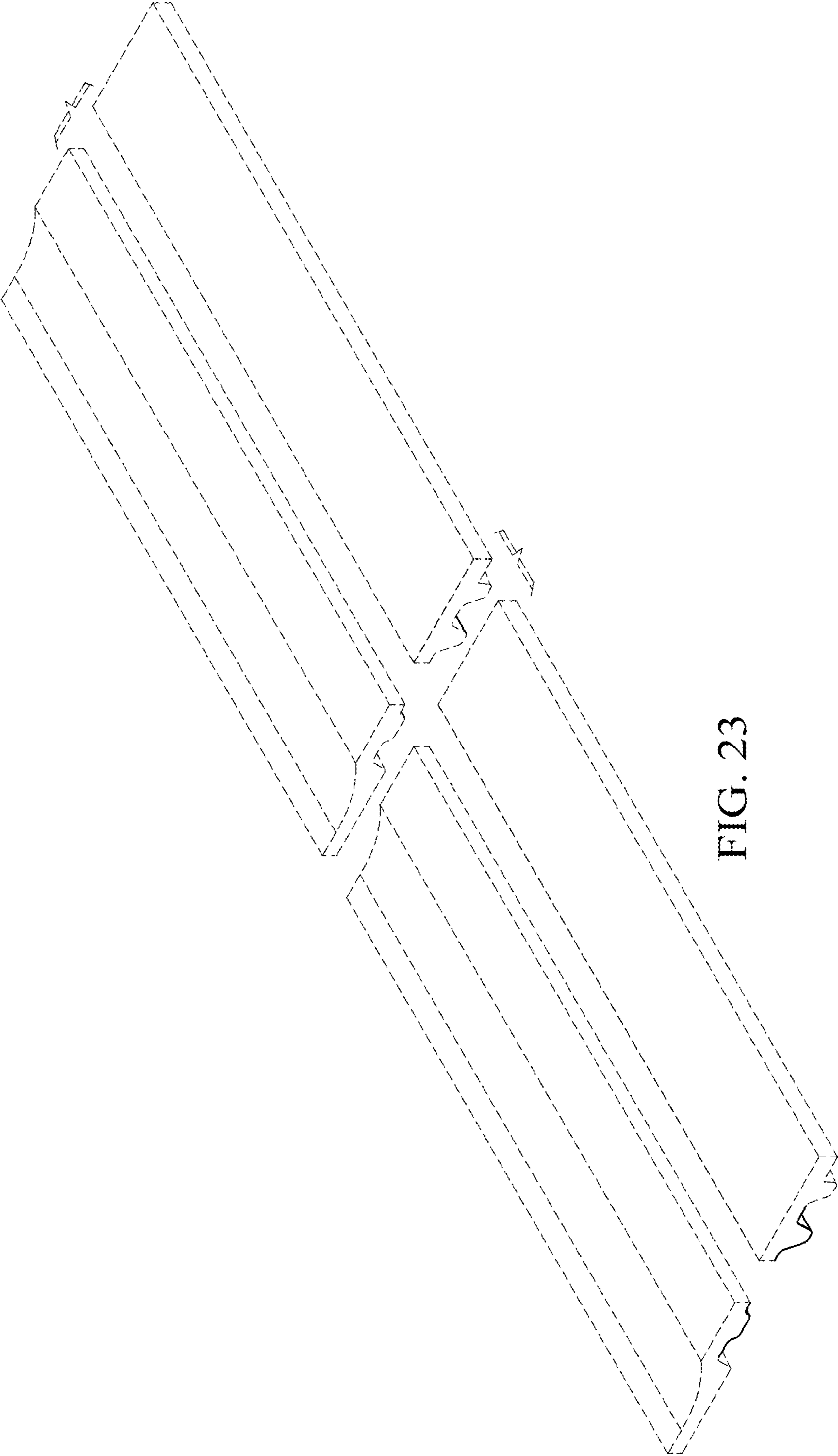


FIG. 23

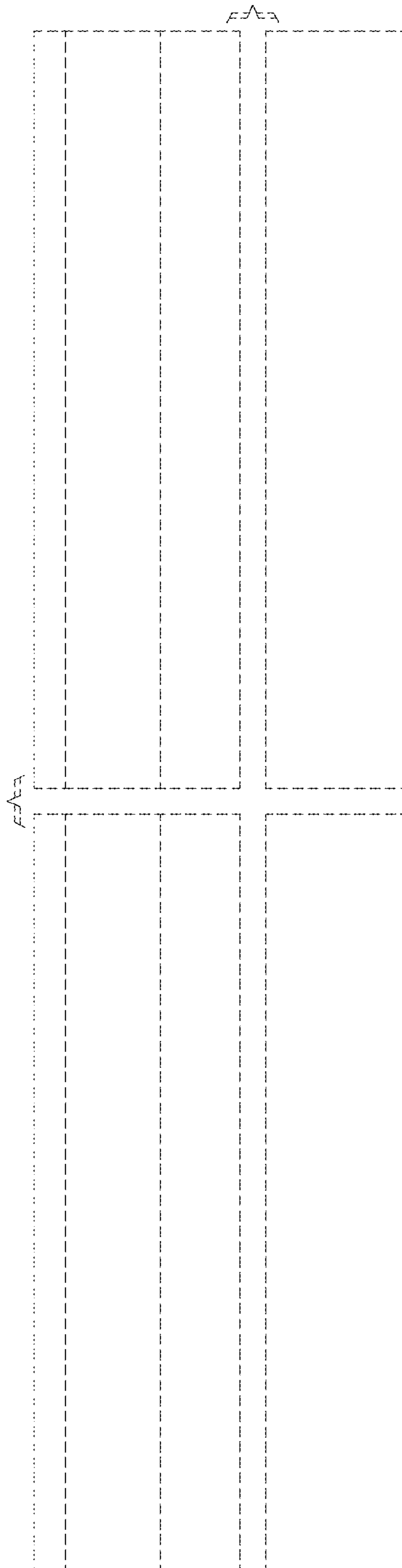


FIG. 24