



US00D919124S

(12) **United States Design Patent** (10) **Patent No.:** **US D919,124 S**  
**Banack** (45) **Date of Patent:** **\*\* \*May 11, 2021**

(54) **SUNROOM WALL ASSEMBLY KIT**

(71) Applicant: **RAM Manufacturing Ltd**, Prince Albert (CA)

(72) Inventor: **Andrew J. Banack**, Edmonton (CA)

(73) Assignee: **RAM Manufacturing Ltd**, Prince Albert (CA)

(\* ) Notice: This patent is subject to a terminal disclaimer.

(\*\*) Term: **15 Years**

(21) Appl. No.: **29/654,579**

(22) Filed: **Jun. 26, 2018**

(51) **LOC (13) Cl.** ..... **25-01**

(52) **U.S. Cl.**  
USPC ..... **D25/124**

(58) **Field of Classification Search**  
USPC ..... D25/22, 33, 35, 58, 61, 119-125, 164, D25/199; D8/349, 354, 376, 377, 382, D8/394

CPC ..... E04B 2/00; E04B 2/56; E04B 2/58; E04B 2/60; E04B 2/62; E04B 2/72; E04B 2/74; E04B 2/76; E04B 2/78; E04B 2/7872; E04B 2/82; E04B 1/32; E04B 2001/3235; E04B 7/04; E04B 7/045

See application file for complete search history.

(56) **References Cited**

**U.S. PATENT DOCUMENTS**

D258,616 S *	3/1981	Dallaire	.....	D25/119
D300,063 S *	2/1989	Sheltra	.....	D25/124
D306,080 S *	2/1990	Whitney	.....	D25/119
D335,624 S *	5/1993	Siener	.....	D8/377
D344,809 S *	3/1994	Bancroft	.....	D25/121
D352,790 S *	11/1994	Gullblom	.....	D25/121
D392,054 S *	3/1998	McGee	.....	D25/125
D423,115 S *	4/2000	Rothschild	.....	D25/121

(Continued)

*Primary Examiner* — Llorelys Martinez

(74) *Attorney, Agent, or Firm* — Kyle R Satterthwaite; Michael R Williams; Ade & Company Inc.

(57) **CLAIM**

The ornamental design for a sunroom wall assembly kit, as shown and described.

**DESCRIPTION**

FIG. 1 is a front, top, and left side perspective view of a sunroom wall assembly kit, showing our new design in a disassembled configuration, the front, top, and right side perspective view being a mirror image thereof;

FIG. 2 is a front, bottom, and left side perspective view of the sunroom wall assembly kit, showing our new design in the disassembled configuration, the front, bottom, and right side perspective view being a mirror image thereof;

FIG. 3 is a front elevational view of the sunroom wall assembly kit, showing our new design in the disassembled configuration, the rear elevational view being identical thereto;

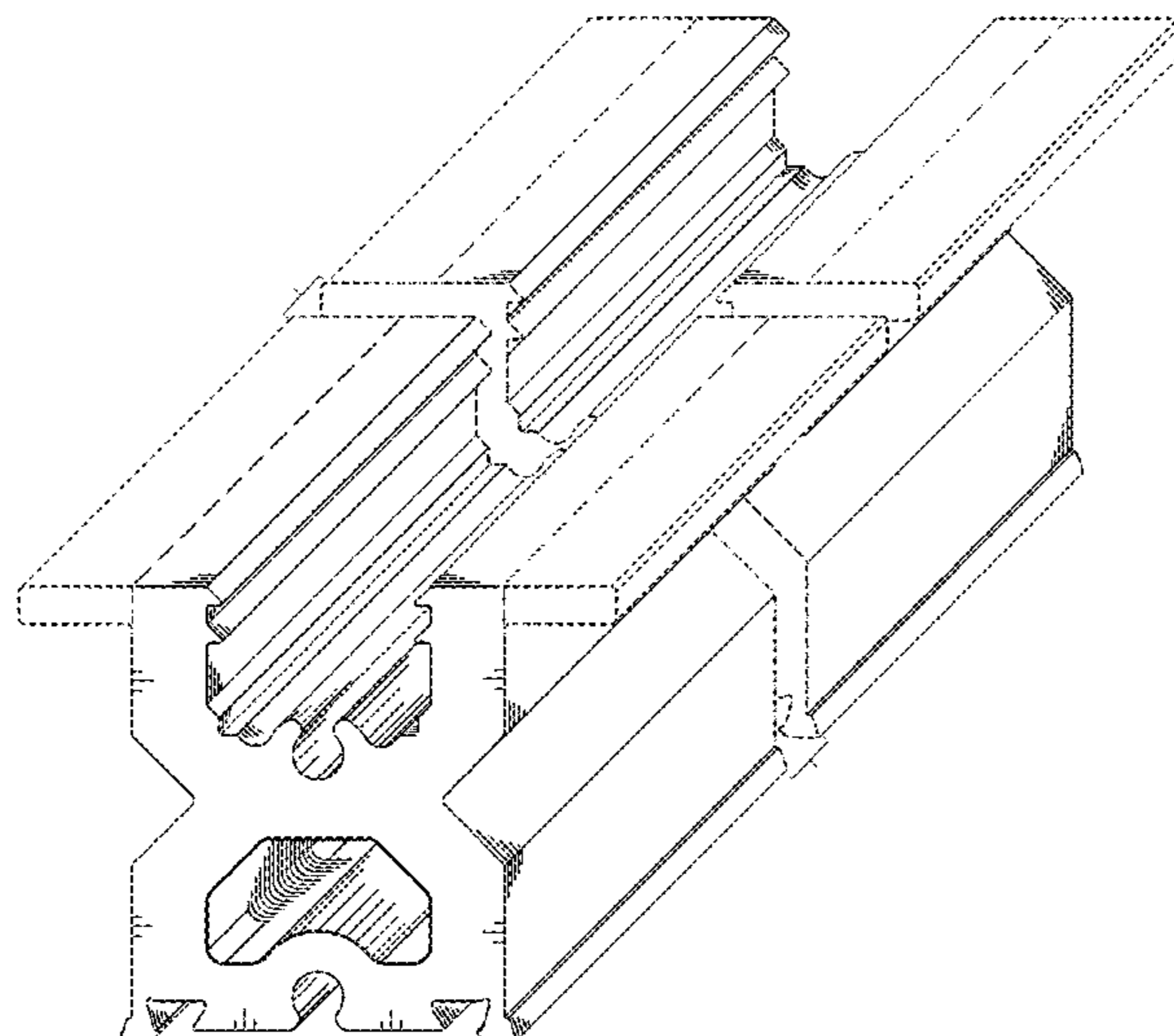
FIG. 4 is a plan view of the sunroom wall assembly kit, taken along lines A-A in FIG. 3;

FIG. 5 is a bottom plan view of the sunroom wall assembly kit; and,

FIG. 6 is a side elevation view of the sunroom wall assembly kit in the disassembled configuration, the opposing side elevation view being identical thereto.

The short dash broken lines in FIGS. 1 through 6 represent portions of the sunroom wall assembly kit that form no part of the claimed design. The long dash broken lines in FIGS. 1 through 4 represent boundary lines between claimed and unclaimed portions of the sunroom wall assembly kit. The sunroom wall assembly kit is shown with a symbolic break in its length. The appearance of any portion of the sunroom wall assembly kit between the break lines forms no part of the claimed design.

**1 Claim, 6 Drawing Sheets**



(56)

**References Cited**

U.S. PATENT DOCUMENTS

6,588,165 B1 \* 7/2003 Wright ..... E04F 19/064  
52/459  
D570,674 S \* 6/2008 Boylan ..... D25/121  
D572,375 S \* 7/2008 Morton ..... D25/121  
D598,138 S \* 8/2009 Bergmann ..... D25/121  
D598,139 S \* 8/2009 Bergmann ..... D25/122  
D598,574 S \* 8/2009 Bergmann ..... D25/122  
D621,962 S \* 8/2010 Deleu ..... D25/122  
D765,881 S \* 9/2016 Deleu ..... D25/122  
D765,882 S \* 9/2016 Deleu ..... D25/122  
D790,730 S \* 6/2017 Prado Perez ..... D25/58  
2007/0199275 A1 \* 8/2007 Kurz ..... E04F 19/063  
52/716.1  
2013/0272777 A1 \* 10/2013 Hayter ..... E06B 7/086  
403/205

\* cited by examiner

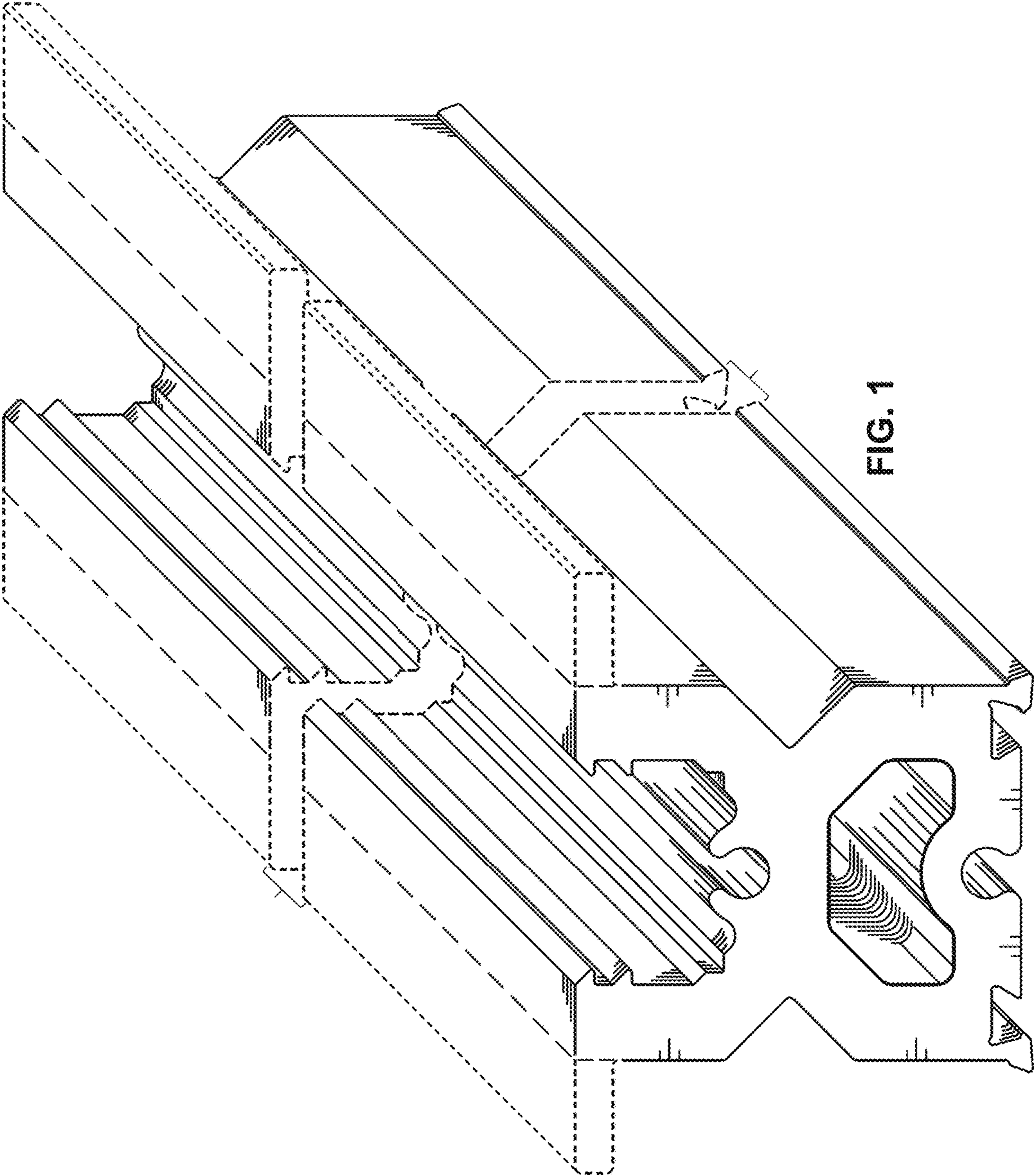


FIG. 1

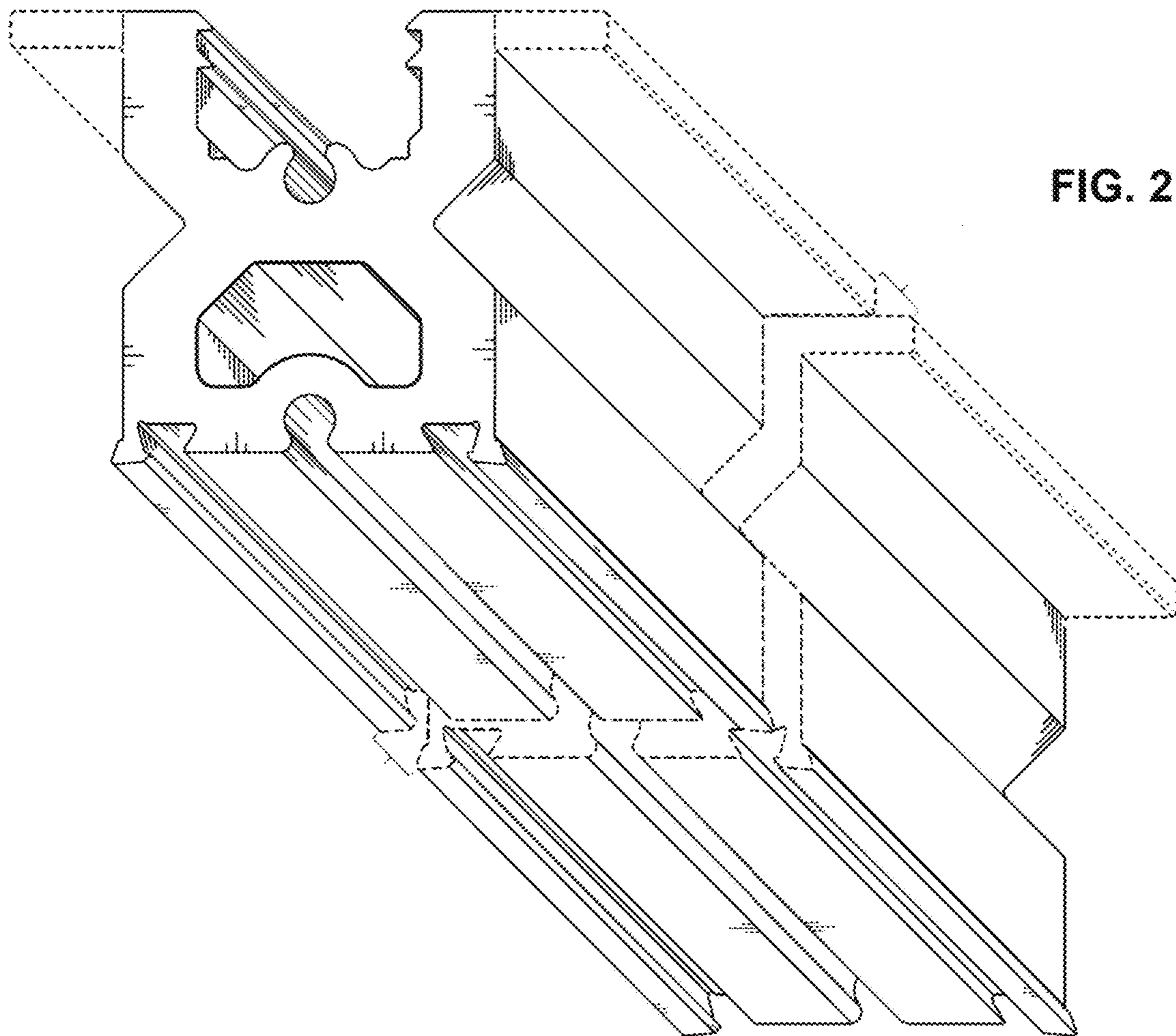
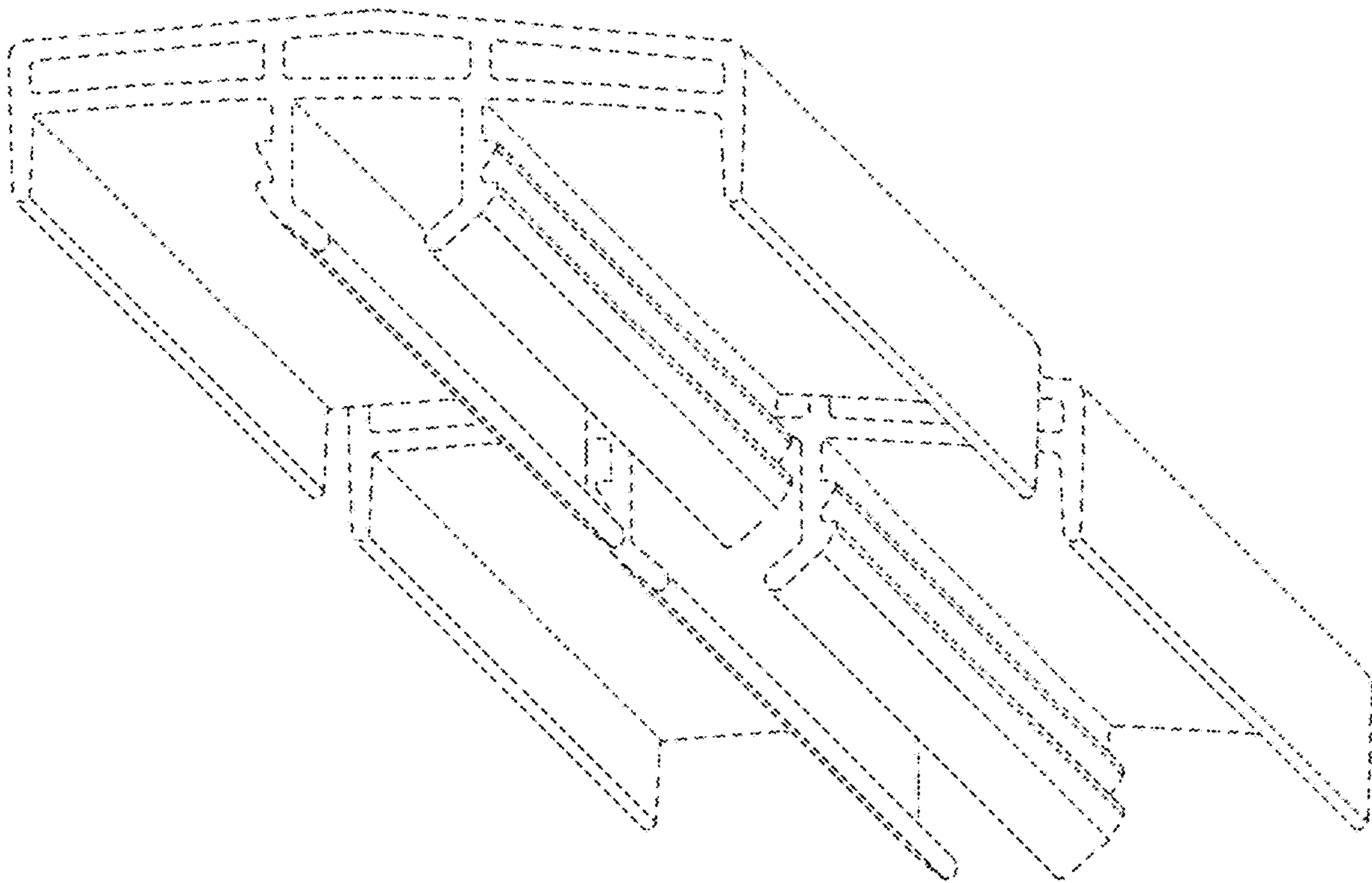


FIG. 2

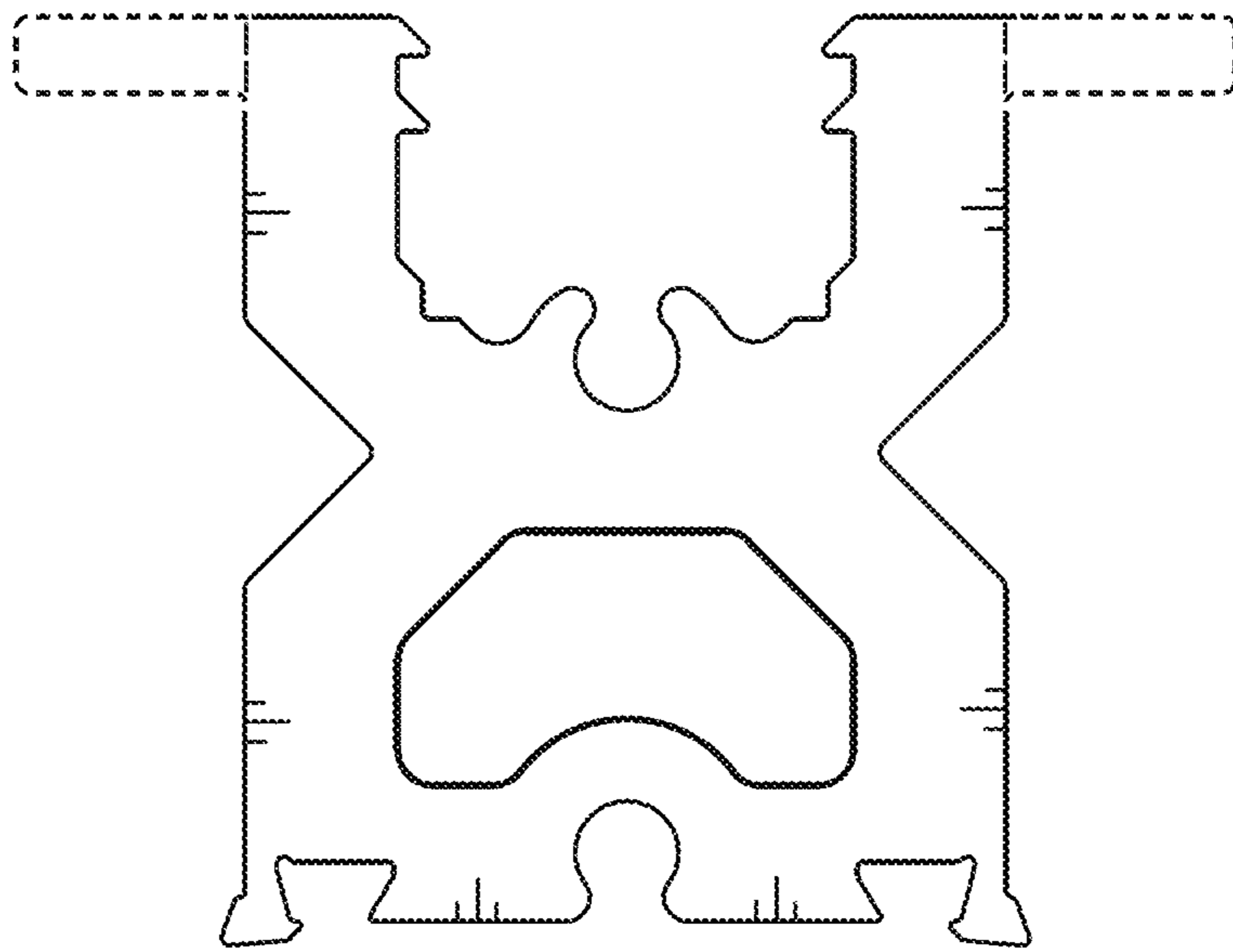


FIG. 3

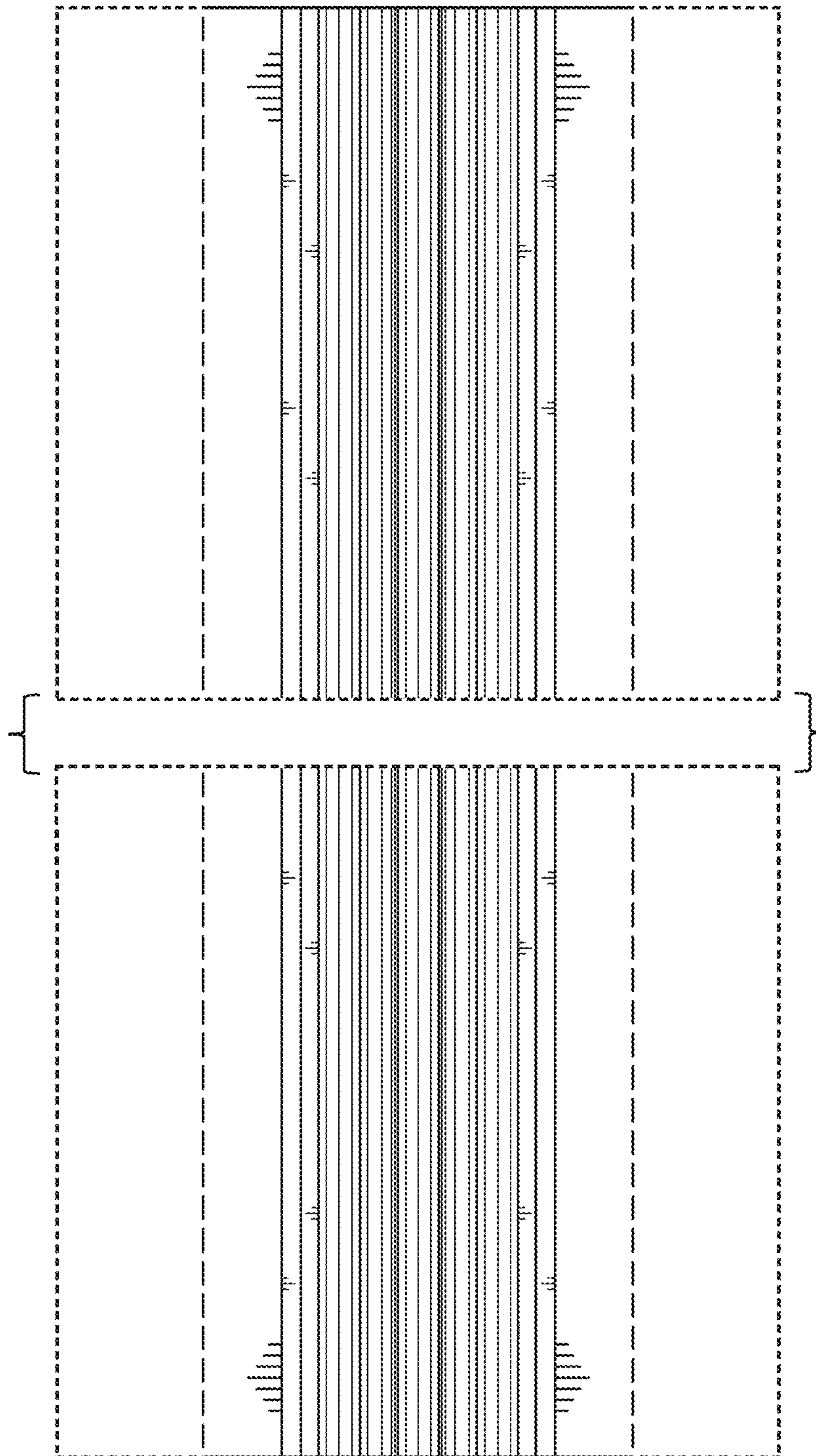


FIG. 4

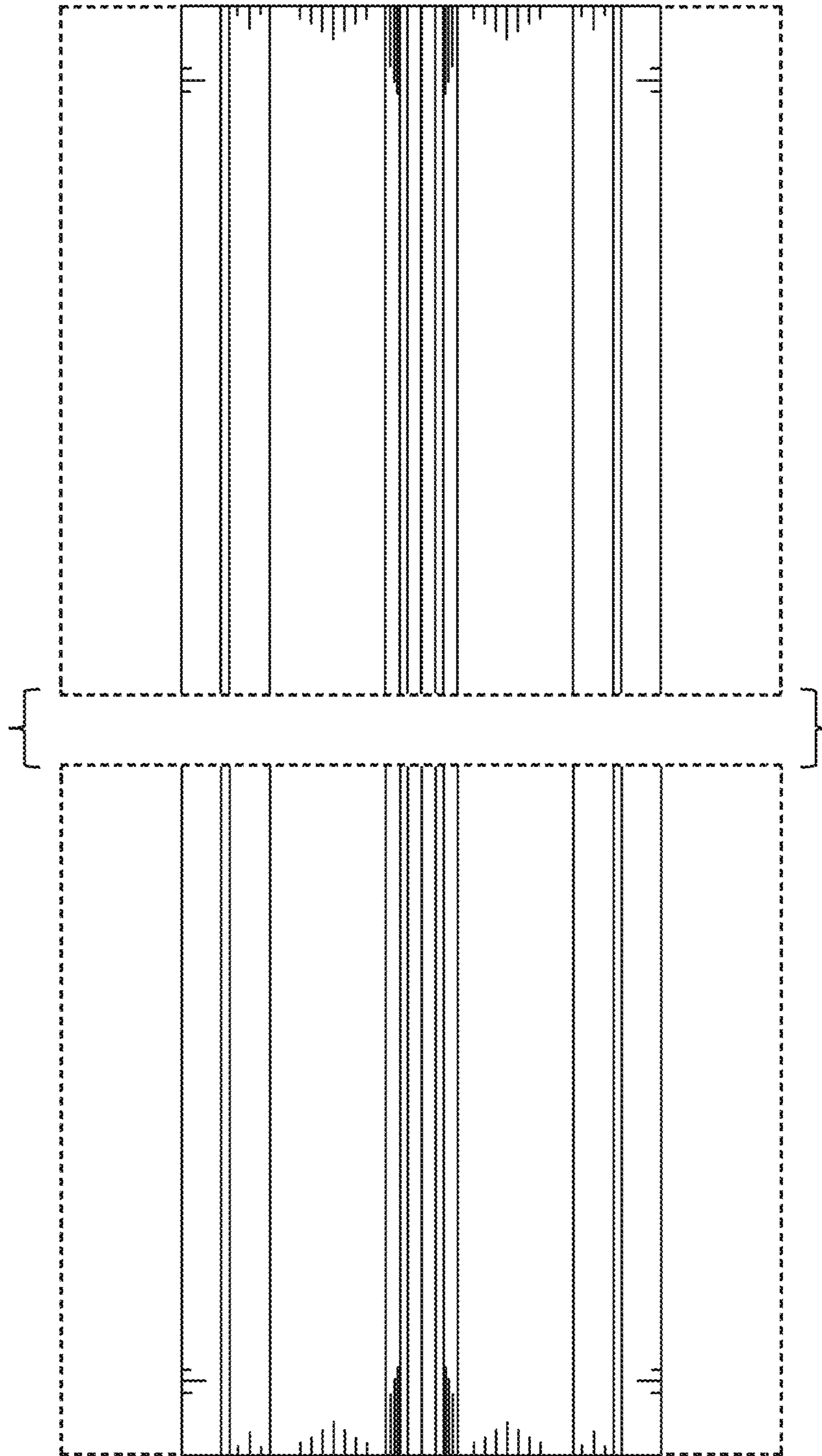


FIG. 5

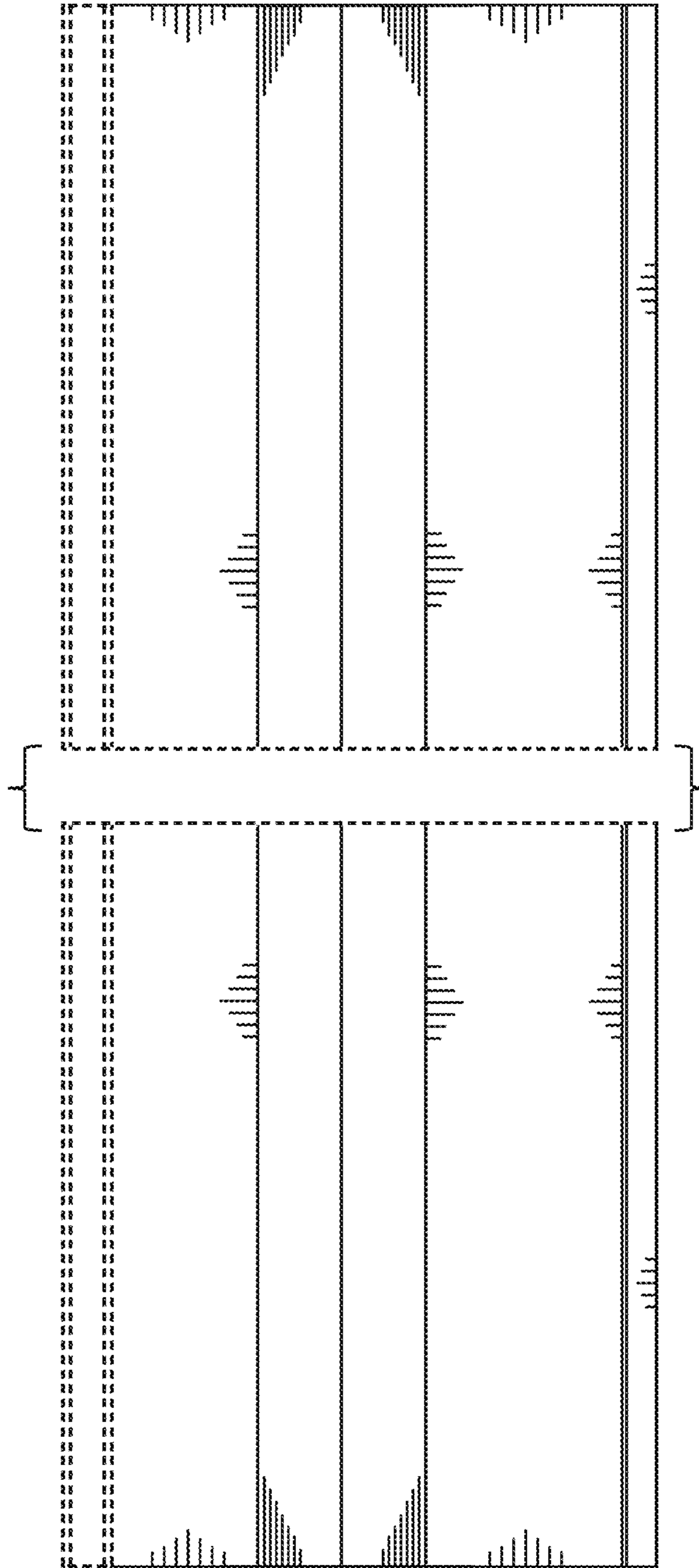


FIG. 6



UNITED STATES PATENT AND TRADEMARK OFFICE  
**CERTIFICATE OF CORRECTION**

PATENT NO. : D919,124 S  
APPLICATION NO. : 29/654579  
DATED : May 11, 2021  
INVENTOR(S) : Andrew J. Banack

Page 1 of 8

It is certified that error appears in the above-identified patent and that said Letters Patent is hereby corrected as shown below:

**On the Title Page**

Delete the title page and substitute therefore with the attached title page consisting of the corrected illustrative figure(s).

**In the Drawings**

Please substitute drawing sheets 1-6 with replacement drawing sheets 1-6 as shown on attached pages.

Signed and Sealed this  
Thirty-first Day of October, 2023  
*Katherine Kelly Vidal*

Katherine Kelly Vidal  
*Director of the United States Patent and Trademark Office*

(12) **United States Design Patent** (10) Patent No.: **US D919,124 S**  
**Banack** (45) Date of Patent: **\*\* \*May 11, 2021**

(54) **SUNROOM WALL ASSEMBLY KIT**

*Primary Examiner* — Llorellys Martinez

(71) Applicant: **RAM Manufacturing Ltd, Prince Albert (CA)**

(74) *Attorney, Agent, or Firm* — Kyle R Satterthwaite; Michael R Williams; Ade & Company Inc.

(72) Inventor: **Andrew J. Banack, Edmonton (CA)**

(57) **CLAIM**

(73) Assignee: **RAM Manufacturing Ltd, Prince Albert (CA)**

The ornamental design for a sunroom wall assembly kit, as shown and described.

(\*) Notice: This patent is subject to a terminal disclaimer.

(\*\*) Term: **15 Years**

(21) Appl. No.: **29/654,579**

(22) Filed: **Jun. 26, 2018**

(51) **LOC (13) CL.** ..... **25-01**

(52) **U.S. CL.**  
 USPC ..... **D25/124**

(58) **Field of Classification Search**  
 USPC ..... D25/22, 33, 35, 58, 61, 119-125, 164,  
 D25/199; D8/349, 354, 376, 377, 382,  
 D8/394

CPC ..... E04B 2/00; E04B 2/56; E04B 2/58; E04B  
 2/60; E04B 2/62; E04B 2/72; E04B 2/74;  
 E04B 2/76; E04B 2/78; E04B 2/7872;  
 E04B 2/82; E04B 1/32; E04B 2001/3235;  
 E04B 7/04; E04B 7/045

See application file for complete search history.

(56) **References Cited**

**U.S. PATENT DOCUMENTS**

D258,616 S *	3/1981	Dallaire	D25/119
D300,063 S *	2/1989	Sheltra	D25/124
D306,080 S *	2/1990	Whitney	D25/119
D335,624 S *	5/1993	Siener	D8/377
D344,809 S *	3/1994	Bancroft	D25/121
D352,790 S *	11/1994	Gullblom	D25/121
D392,054 S *	3/1998	McGee	D25/125
D423,115 S *	4/2000	Rothschild	D25/121

(Continued)

**DESCRIPTION**

FIG. 1 is a front, top, and left side perspective view of a sunroom wall assembly kit, showing our new design in a disassembled configuration, the front, top, and right side perspective view being a mirror image thereof;

FIG. 2 is a front, bottom, and left side perspective view of the sunroom wall assembly kit, showing our new design in the disassembled configuration, the front, bottom, and right side perspective view being a mirror image thereof;

FIG. 3 is a front elevational view of the sunroom wall assembly kit, showing our new design in the disassembled configuration, the rear elevational view being identical thereto;

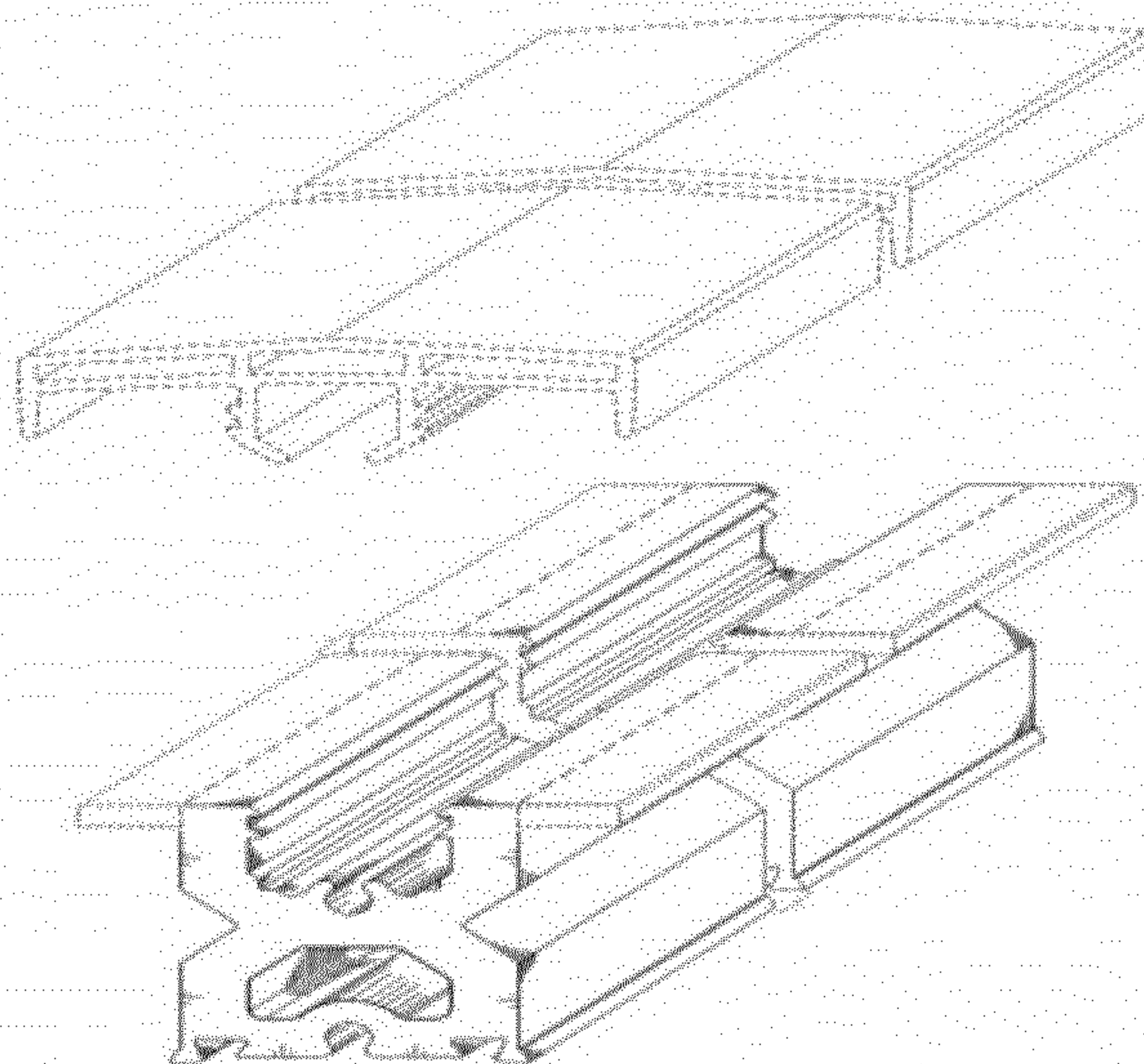
FIG. 4 is a plan view of the sunroom wall assembly kit, taken along lines A-A in FIG. 3;

FIG. 5 is a bottom plan view of the sunroom wall assembly kit; and,

FIG. 6 is a side elevation view of the sunroom wall assembly kit in the disassembled configuration, the opposing side elevation view being identical thereto.

The short dash broken lines in FIGS. 1 through 6 represent portions of the sunroom wall assembly kit that form no part of the claimed design. The long dash broken lines in FIGS. 1 through 4 represent boundary lines between claimed and unclaimed portions of the sunroom wall assembly kit. The sunroom wall assembly kit is shown with a symbolic break in its length. The appearance of any portion of the sunroom wall assembly kit between the break lines forms no part of the claimed design.

**1 Claim, 6 Drawing Sheets**



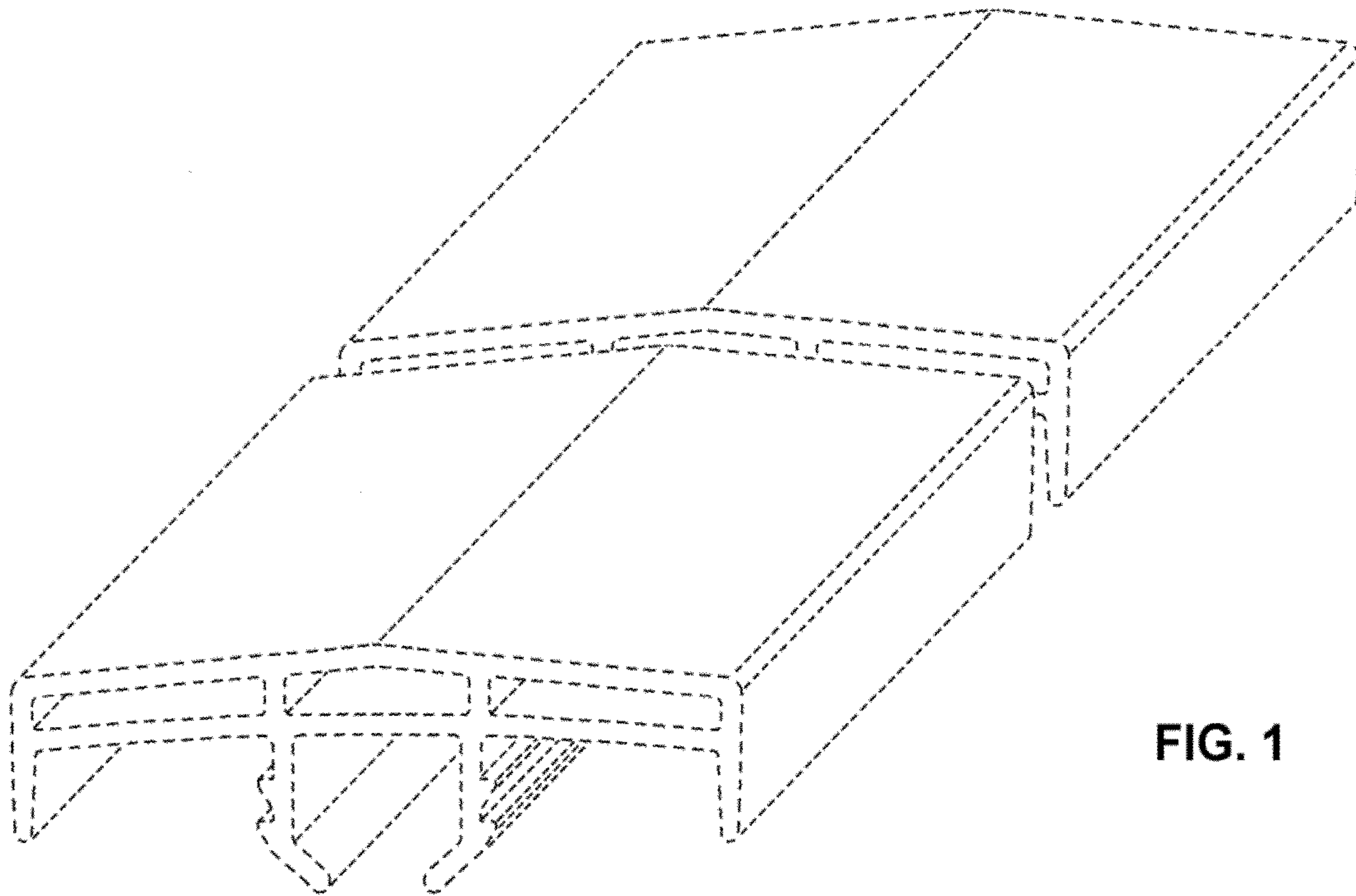
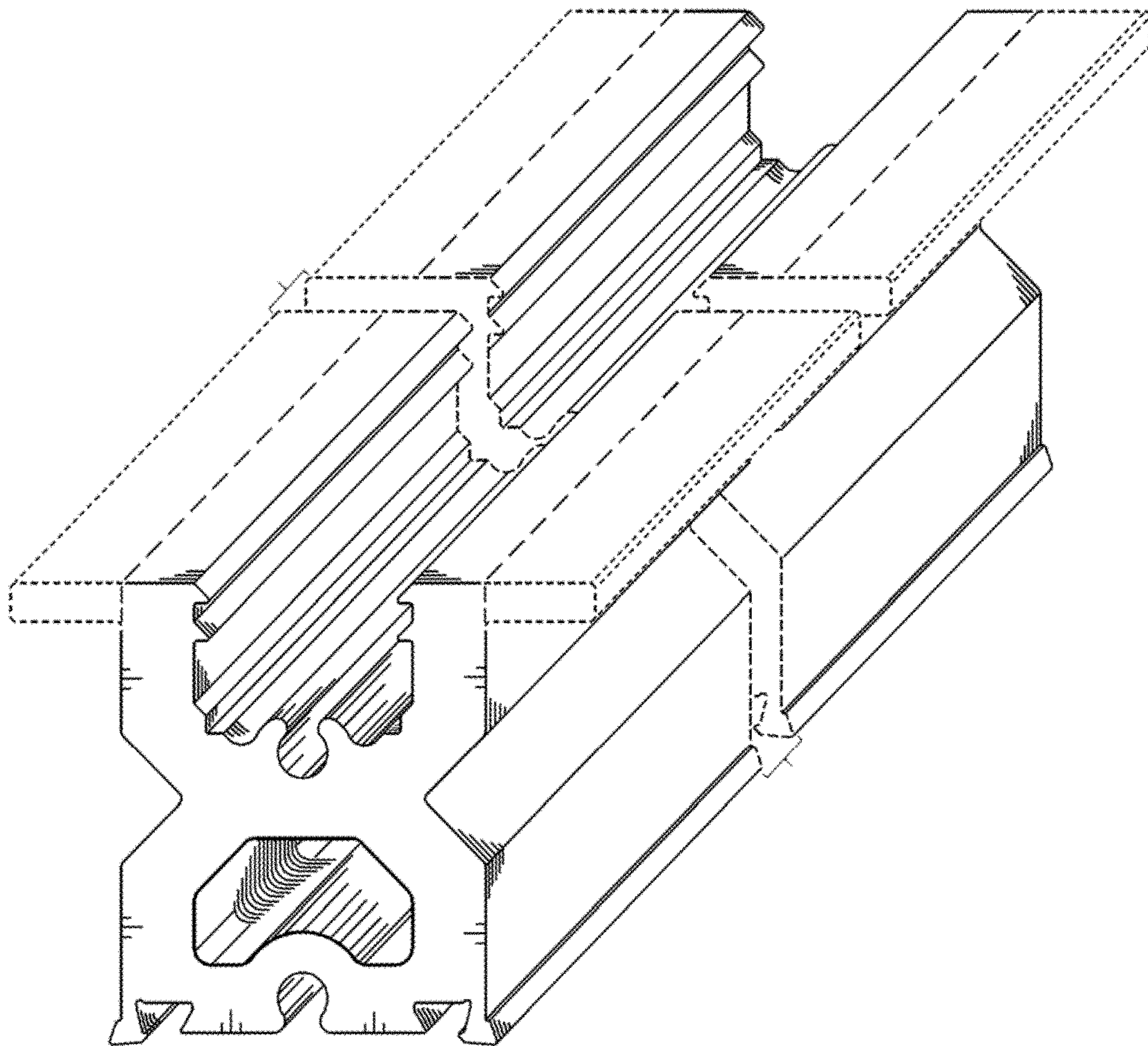


FIG. 1



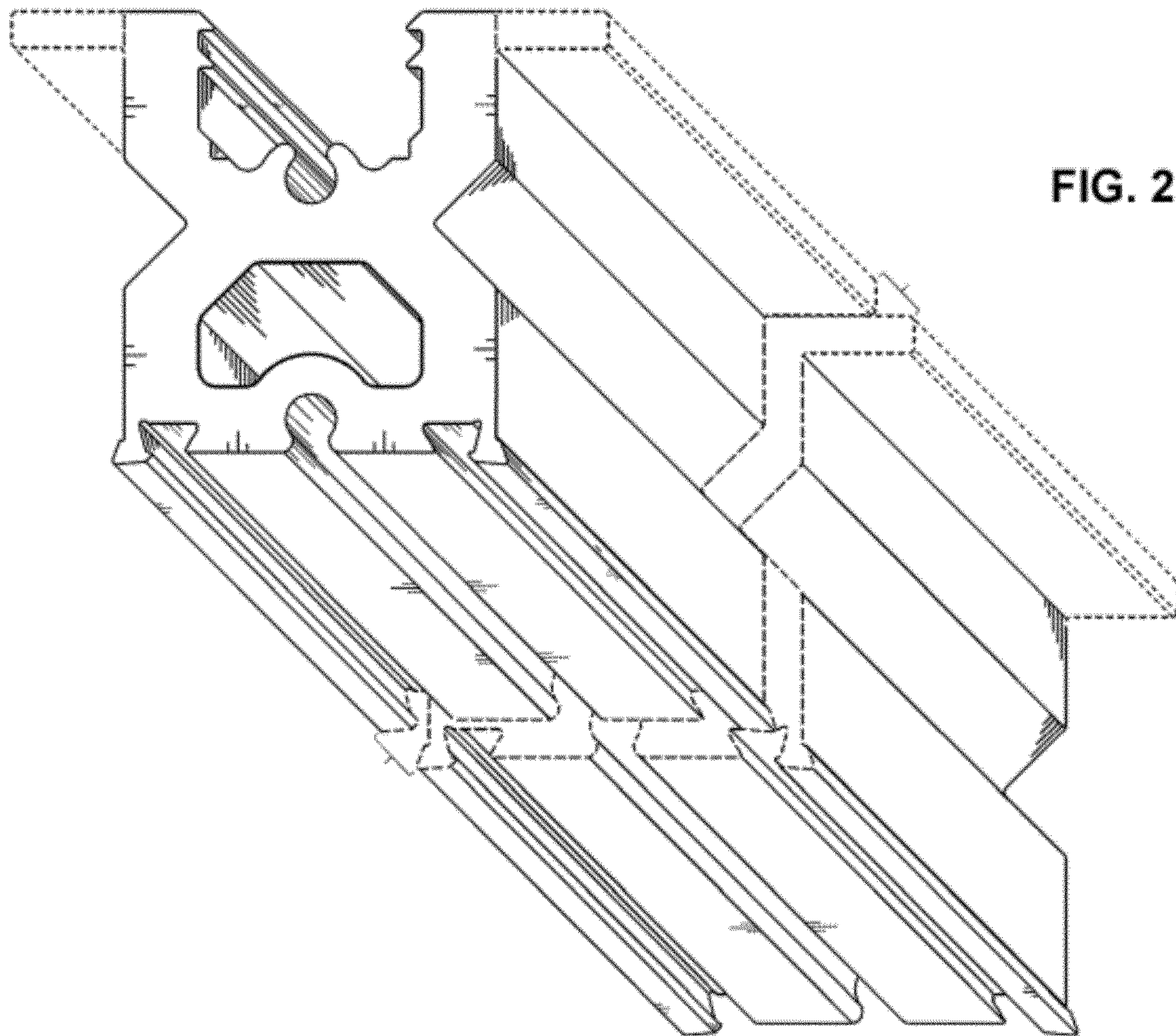
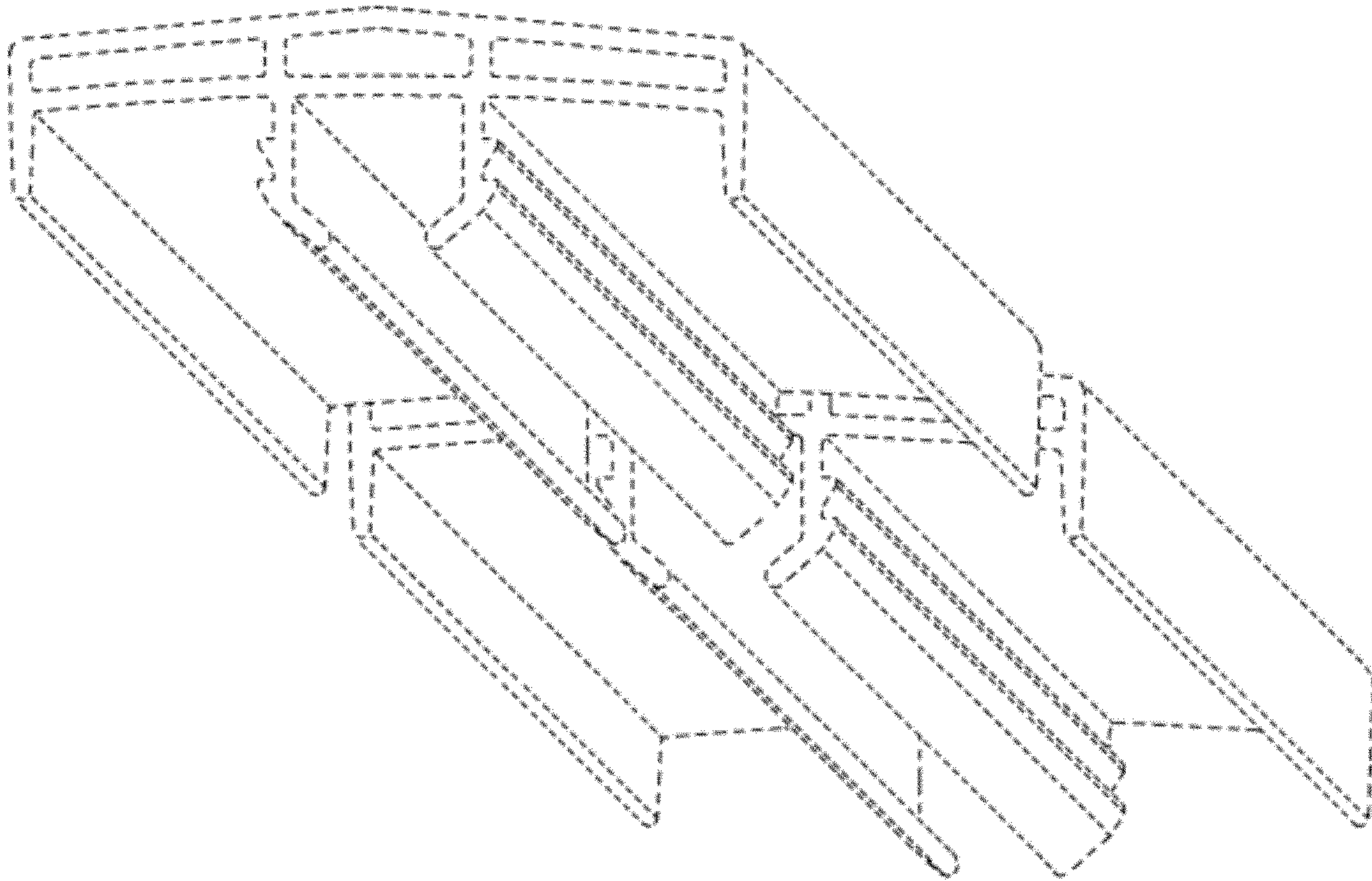


FIG. 2

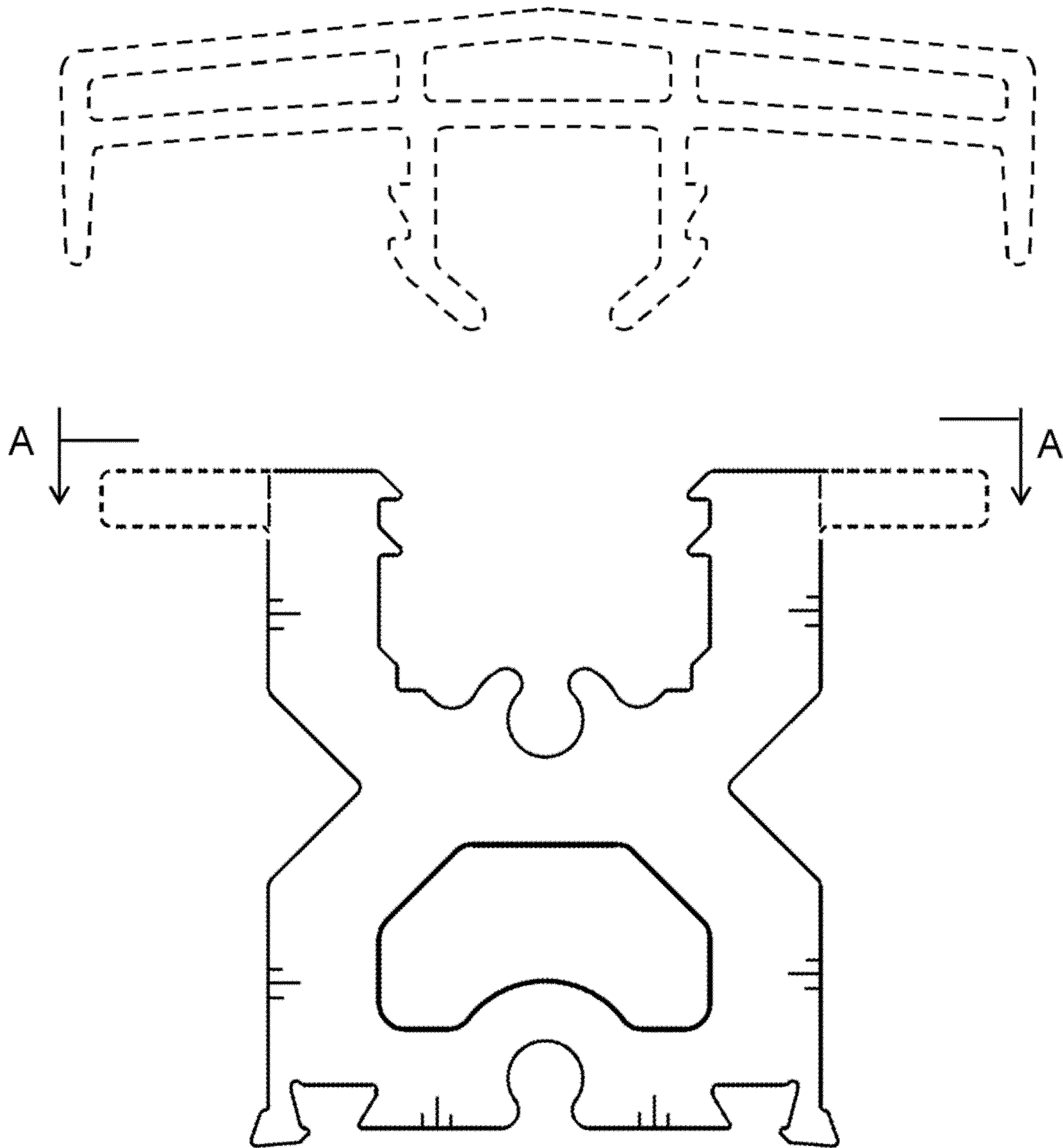


FIG. 3

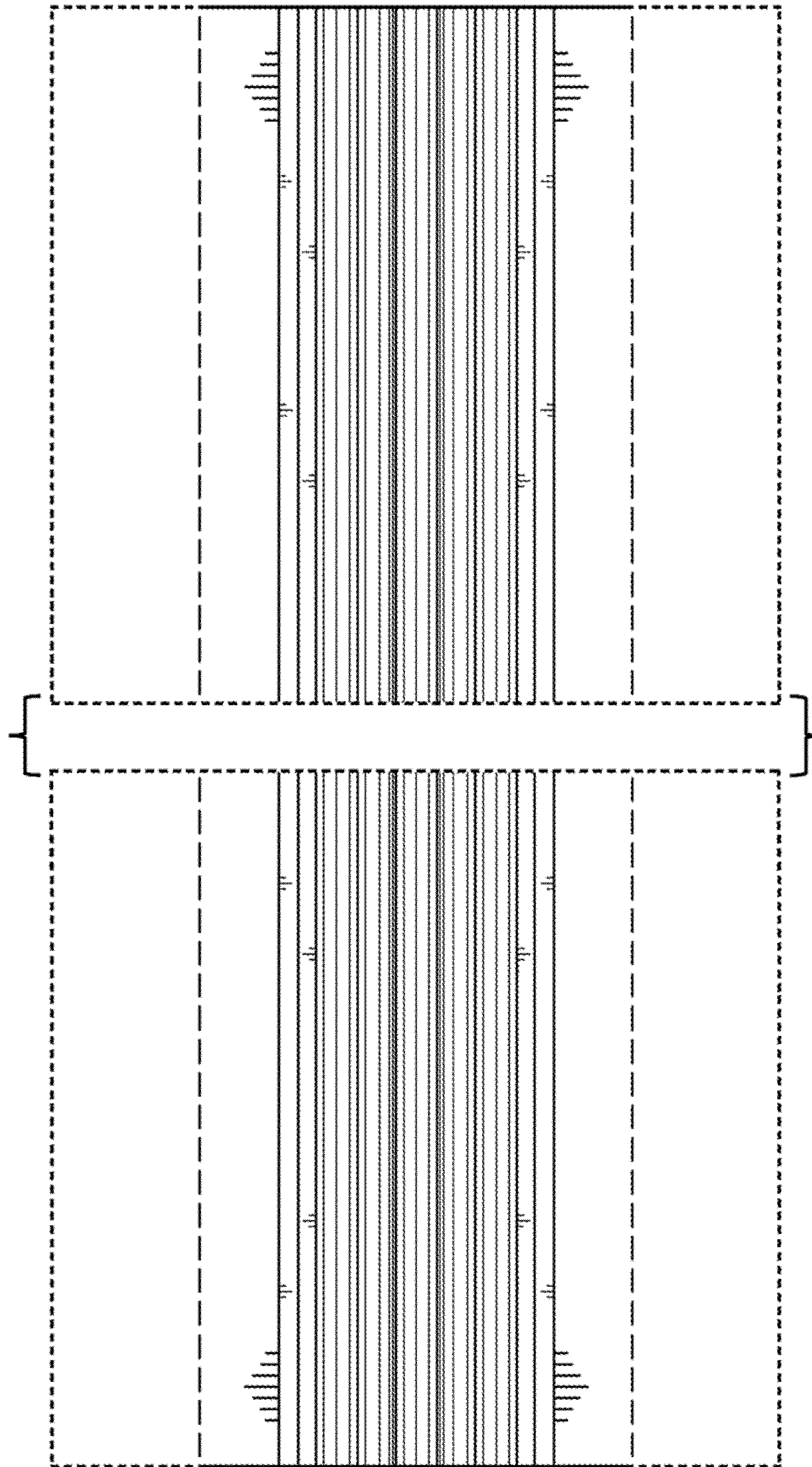


FIG. 4

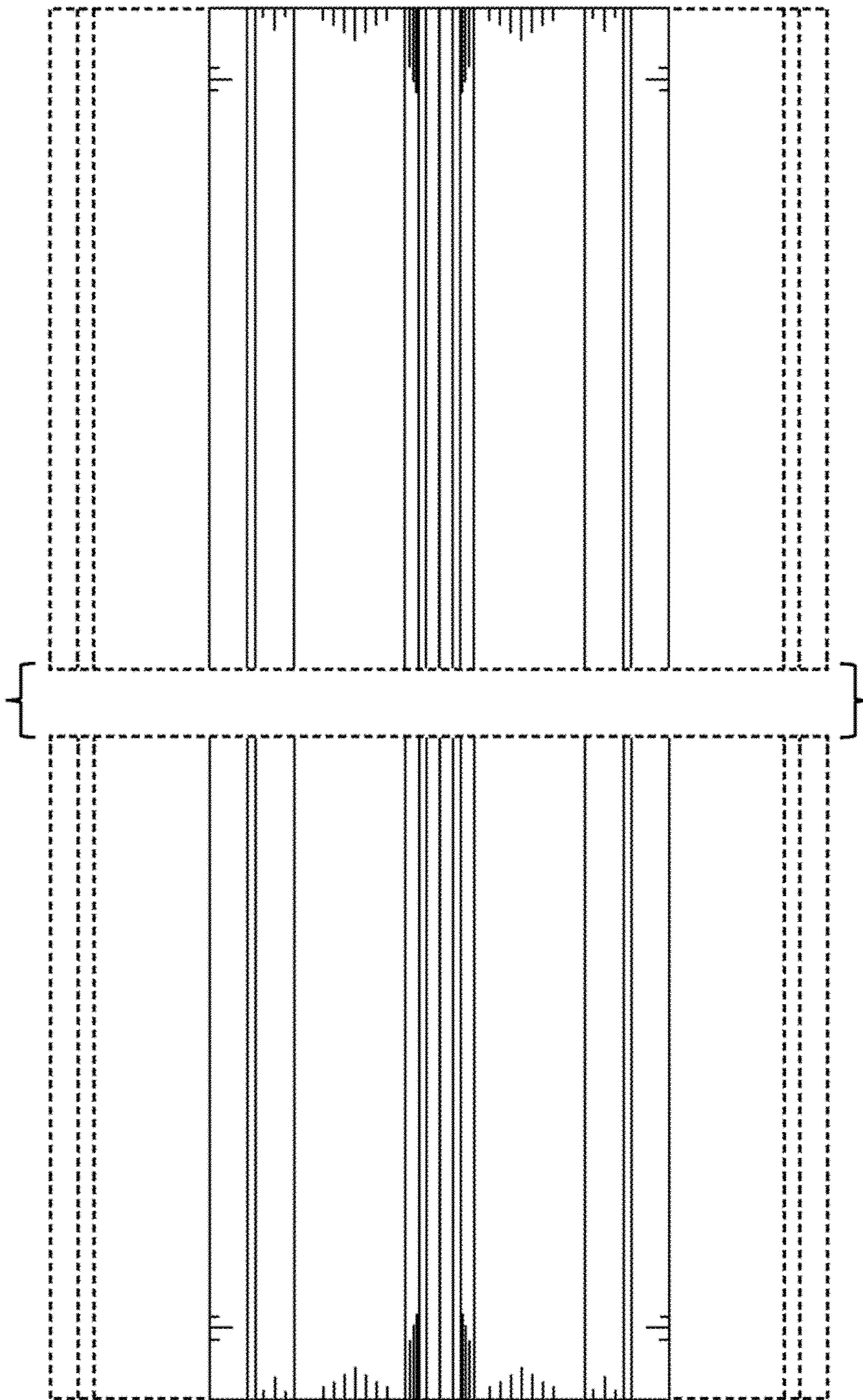


FIG. 5

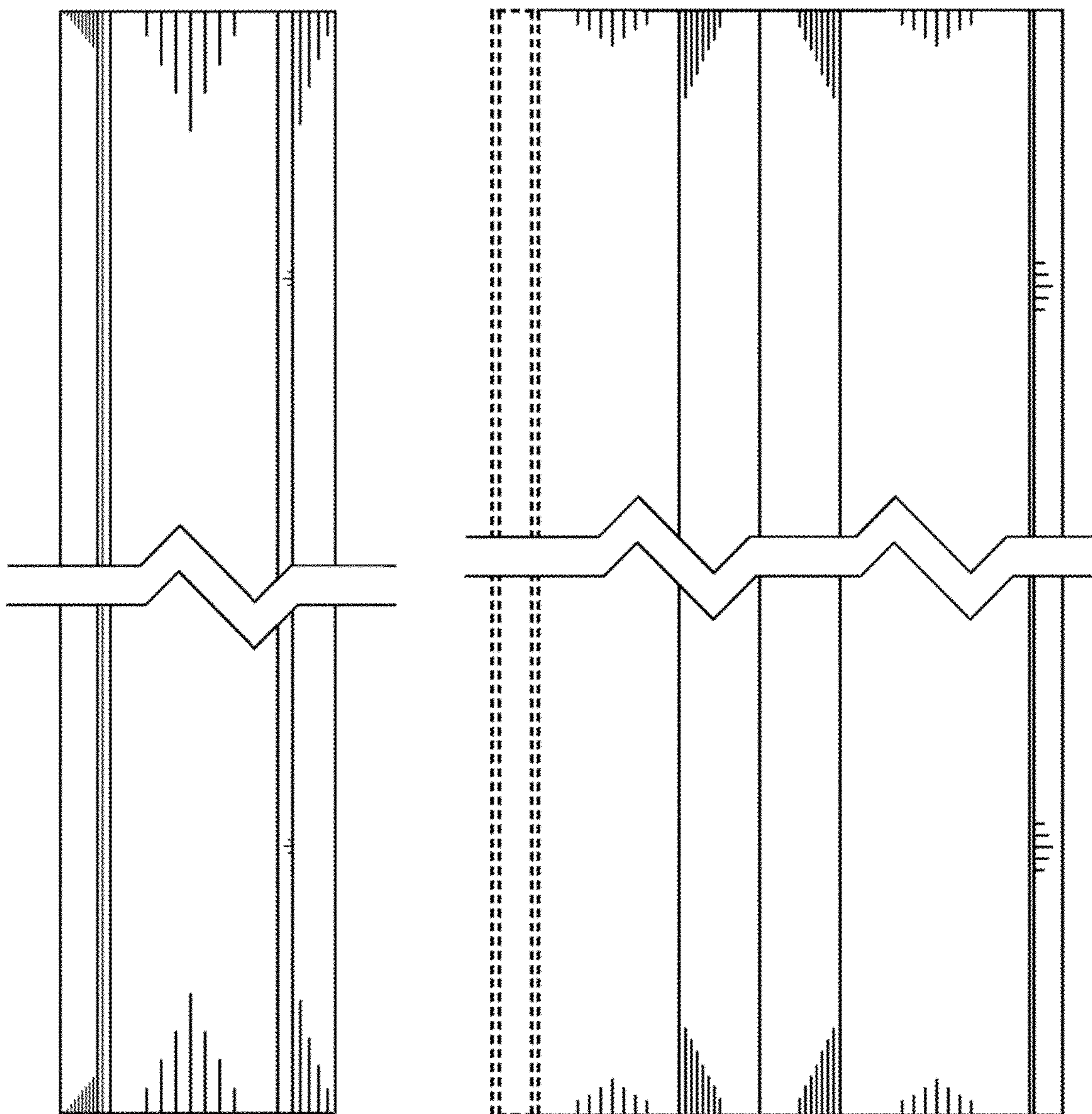


FIG. 6