



US00D919122S

(12) **United States Design Patent** (10) **Patent No.:** **US D919,122 S**
Butler (45) **Date of Patent:** **** May 11, 2021**

(54) **GATE**
(71) Applicant: **Tracey Butler**, Caldwell, NJ (US)
(72) Inventor: **Tracey Butler**, Caldwell, NJ (US)
(**) Term: **15 Years**
(21) Appl. No.: **29/707,756**
(22) Filed: **Sep. 30, 2019**
(51) **LOC (13) Cl.** **06-06**
(52) **U.S. Cl.**
USPC **D25/48.5**; D6/332
(58) **Field of Classification Search**
USPC D6/332, 702, 703.2, 713, 714; D25/38.1,
D25/39, 40, 48.1, 48.4, 48.5, 48.8, 58,
D25/138-144; D30/108, 109, 114, 119,
D30/199
CPC E04F 11/18; E04F 11/181; E04F 11/1851;
E06B 3/5454; E04B 2/54; E04B 2/72;
E04B 2/7407; E04B 2/7416; E04B 2/76;
E04B 2002/7496; A01K 1/0017; A01K
1/034; A01K 1/035; A01K 3/00; A01M
29/30
See application file for complete search history.

6,450,123 B1 * 9/2002 Murray A01K 3/00
119/512
8,181,405 B2 * 5/2012 Nash E04F 11/1851
52/238.1
D696,792 S * 12/2013 Cheong D25/48.5
D698,505 S * 1/2014 Muzaffer D30/199
D710,556 S * 8/2014 Muzaffer D30/199
D791,341 S * 7/2017 Bevis D25/38.1
9,752,327 B2 * 9/2017 Poradzisz E04F 11/1853
D836,214 S * 12/2018 van Vlastuin D25/38.1
10,767,372 B1 * 9/2020 Hansen E04F 11/1817
2017/0037653 A1 * 2/2017 Schopf E04H 17/16

OTHER PUBLICATIONS

ClearView Panel Freestanding Pet Gate _ Etsy <https://www.etsy.com/listing/781346788/clear-view-panel-freestanding-pet-gate?ref=related-1&frs=1> May 19, 2020 (Year: 2020).*

* cited by examiner

Primary Examiner — Leanne Was-Englehart
(74) *Attorney, Agent, or Firm* — Gearhart Law LLC

(57) **CLAIM**

The ornamental design for a gate, as shown and described.

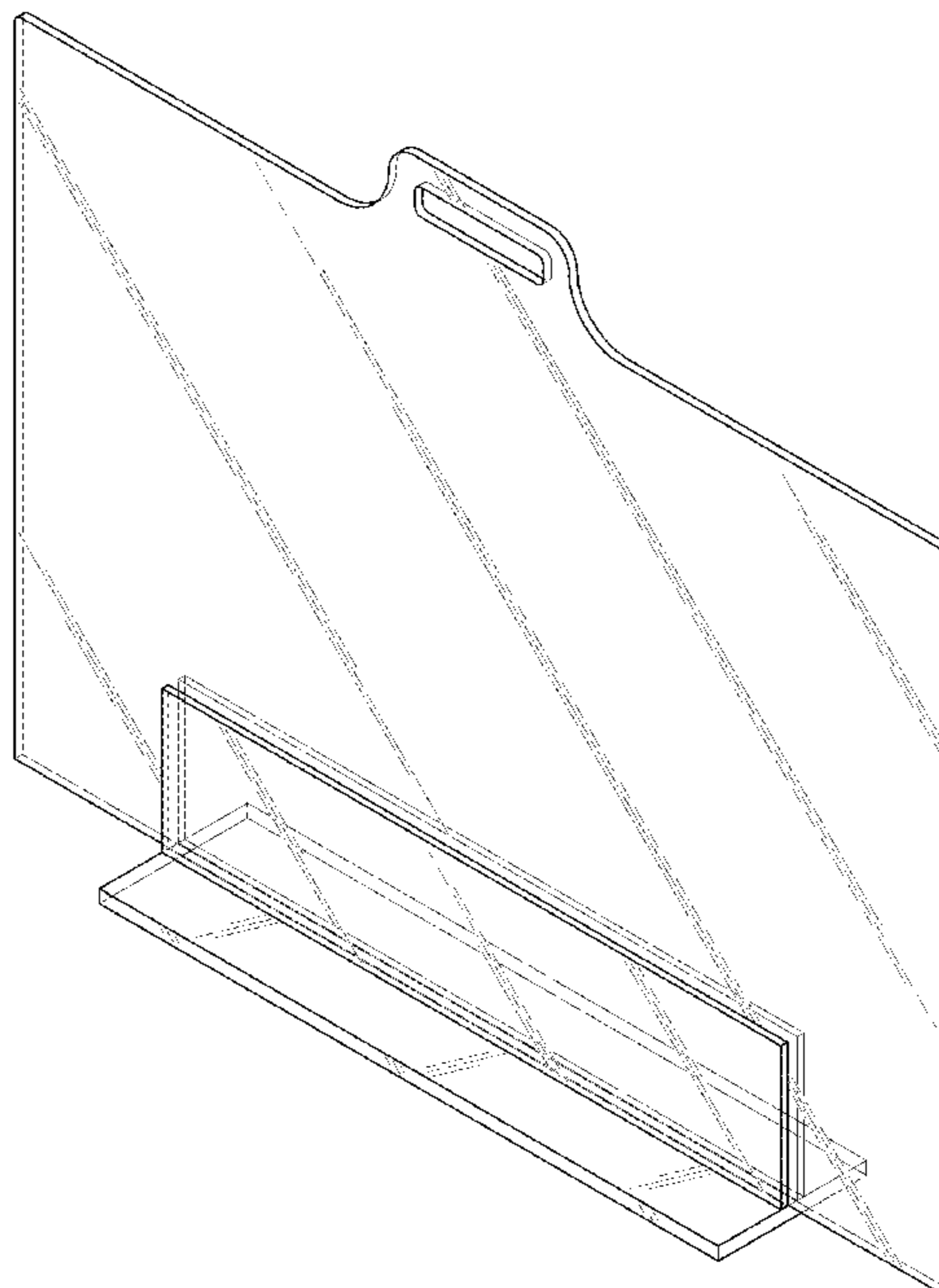
DESCRIPTION

FIG. 1 is a perspective view of a front side of the gate.
FIG. 2 is a perspective view of a rear side of the gate.
FIG. 3 is a front view of the gate. The rear view, not included, is identical to the view shown in FIG. 3.
FIG. 4 is a first side view of the gate. An opposing side view, not included, is identical to the view shown in FIG. 4.
FIG. 5 is a top view of the gate; and,
FIG. 6 is a bottom view of the gate.

1 Claim, 4 Drawing Sheets

(56) **References Cited**
U.S. PATENT DOCUMENTS

D209,134 S * 11/1967 Blum et al. D25/35
3,468,738 A * 9/1969 Deisenroth B60J 10/70
156/293
3,490,978 A * 1/1970 Deisenroth E06B 3/56
156/293
3,502,531 A * 3/1970 Shockey E06B 3/56
156/293
3,516,884 A * 6/1970 Heeter E06B 3/56
156/106



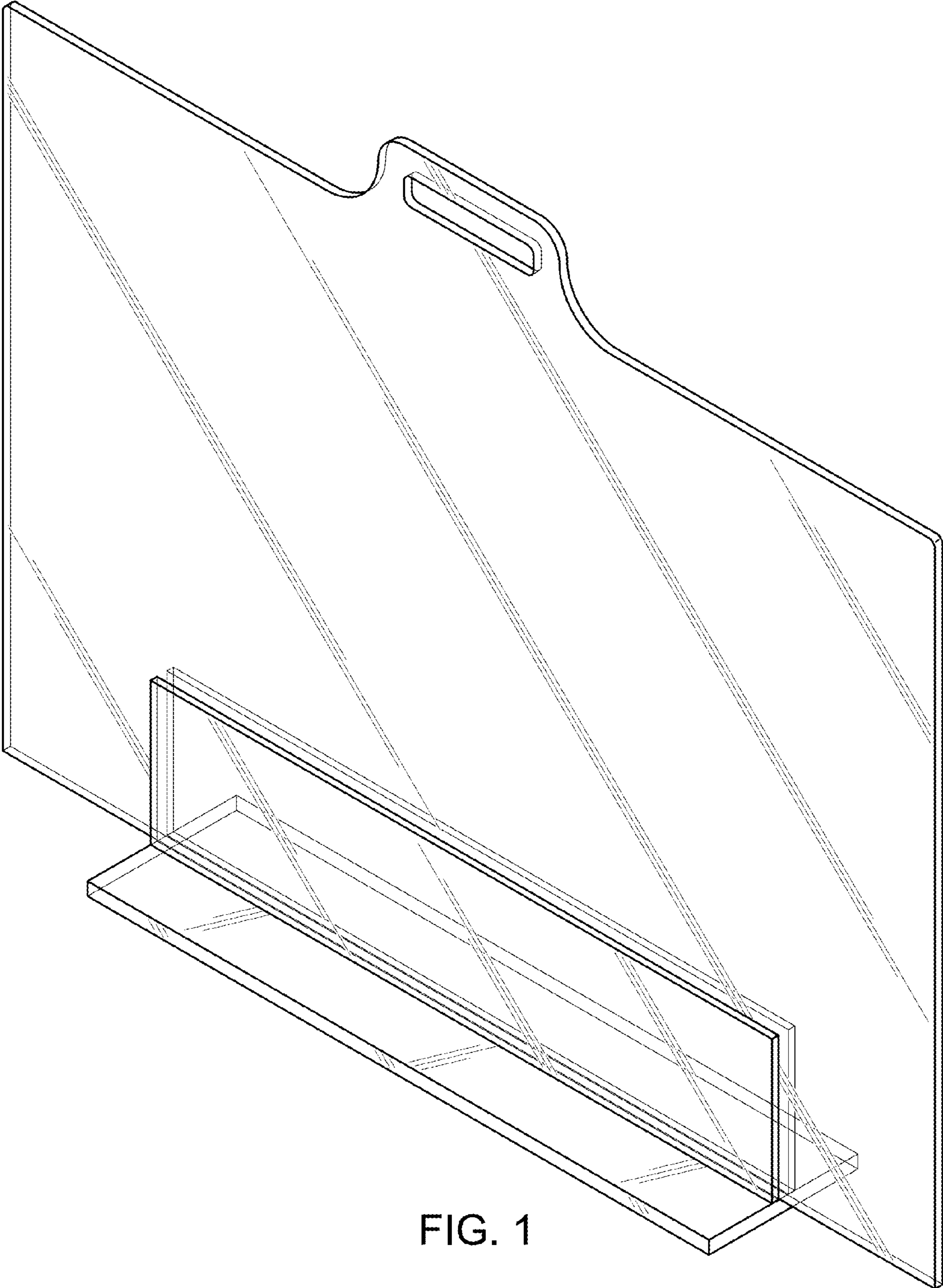


FIG. 1

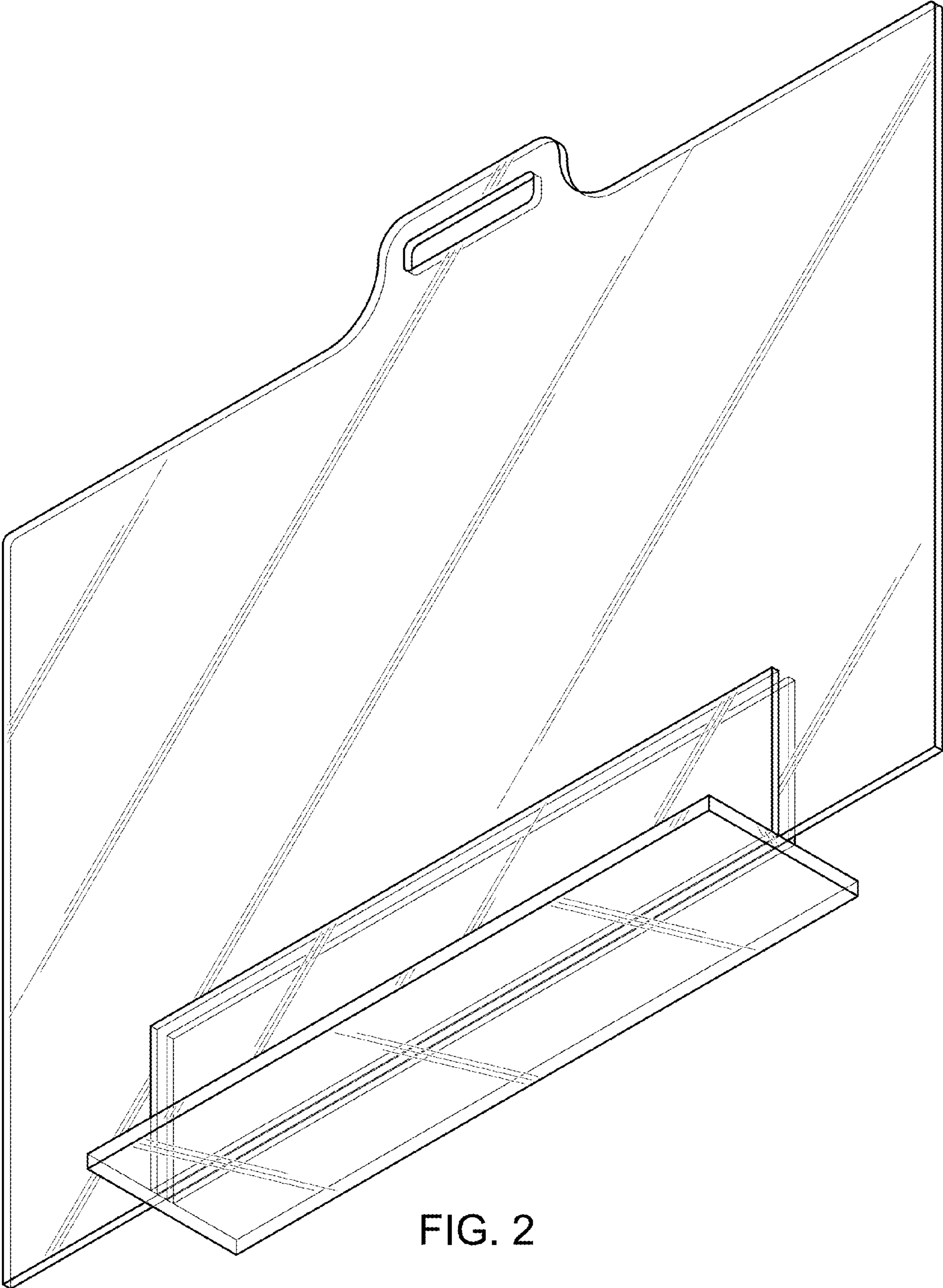


FIG. 2

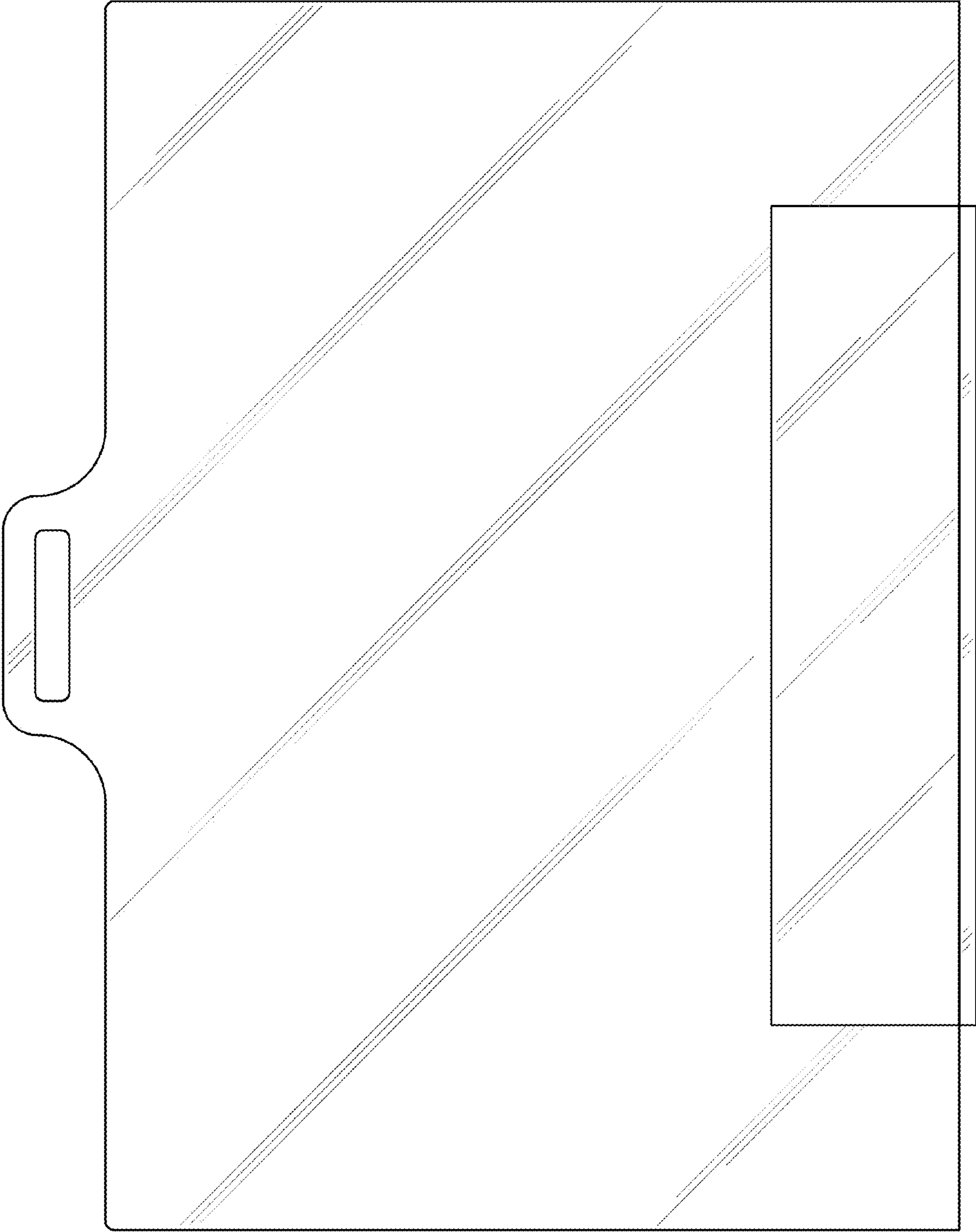


FIG. 3

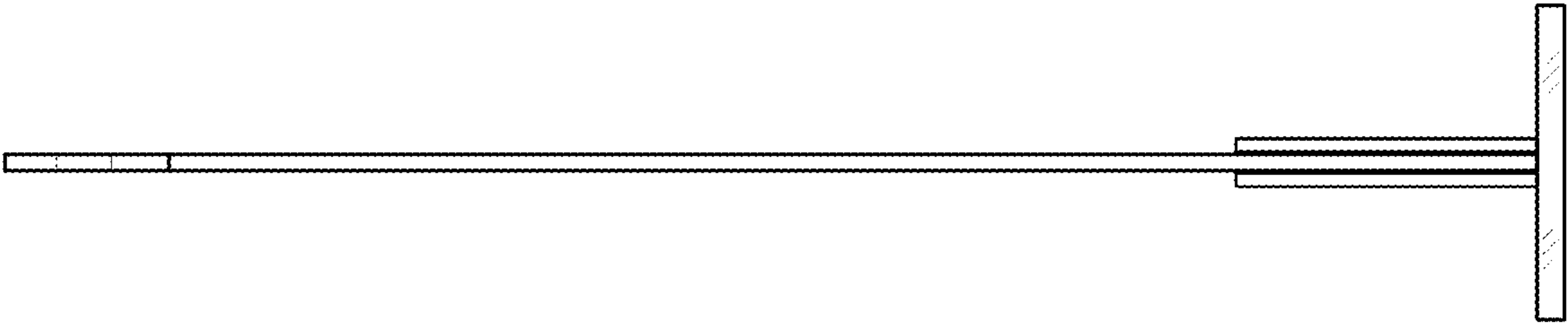


FIG. 4

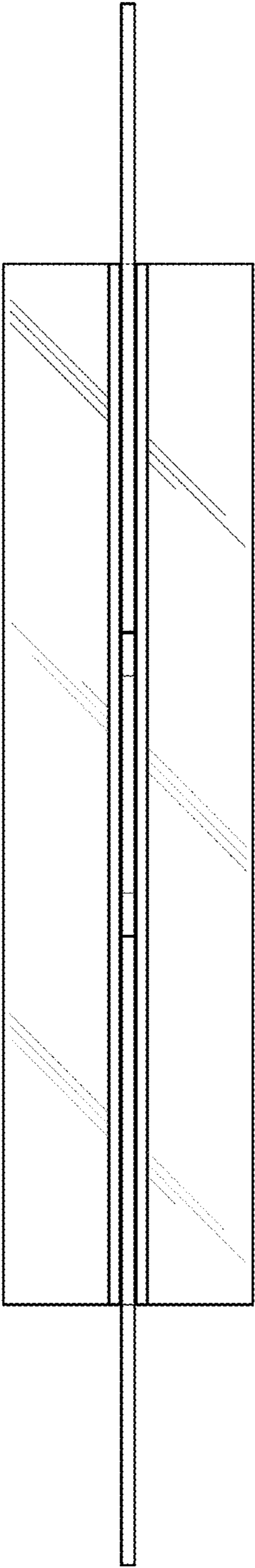


FIG. 5

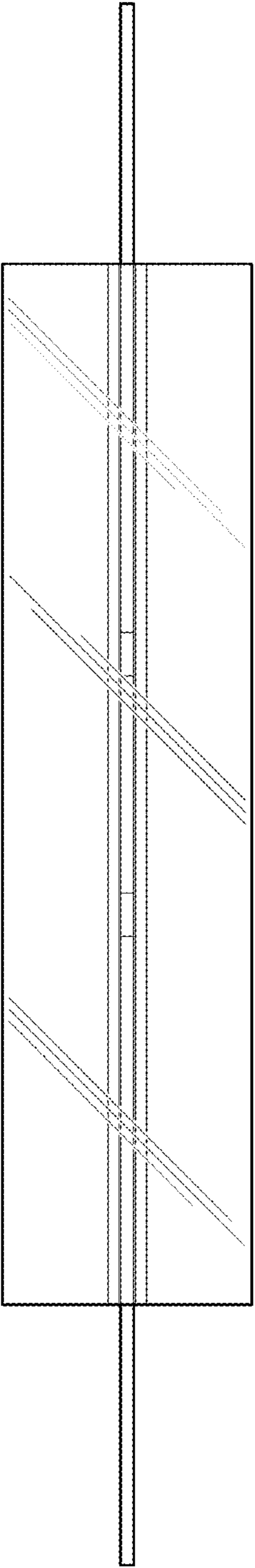


FIG. 6