



US00D919119S

(12) **United States Design Patent** (10) **Patent No.:** **US D919,119 S**
Wysock et al. (45) **Date of Patent:** **** May 11, 2021**

(54) **DOOR FACING**

(71) Applicant: **Masonite Corporation**, Tampa, FL (US)

(72) Inventors: **Gregory Wysock**, Huntley, IL (US);
Timothy Gouge, Elgin, IL (US)

(73) Assignee: **Masonite Corporation**, Tampa, FL (US)

(**) Term: **15 Years**

(21) Appl. No.: **29/699,911**

(22) Filed: **Jul. 30, 2019**

Related U.S. Application Data

(63) Continuation of application No. 29/609,851, filed on Jul. 6, 2017, now Pat. No. Des. 855,216, which is a (Continued)

(51) **LOC (13) Cl.** **25-02**

(52) **U.S. Cl.**
USPC **D25/48.3**

(58) **Field of Classification Search**
USPC D25/48.3, 48.2; 52/455, 474, 210 (Continued)

(56) **References Cited**

U.S. PATENT DOCUMENTS

3,121,263 A * 2/1964 Binner E06B 3/74
49/503

D313,080 S 12/1990 Hall
(Continued)

FOREIGN PATENT DOCUMENTS

CA 2028375 4/1995
CN 202187674 4/2012
JP 2006057385 3/2006

OTHER PUBLICATIONS

Belleville Entry Door, Masonite Corporation, [online], [site visited Aug. 26, 2016], <URL; <https://configure.masonitecloud.com/>

anonymous/configDoor.spr?productLine=entry&zipCode=22314 &country=US&doorId=FG-BMT-DR-203-010-X-7-80-36>.

(Continued)

Primary Examiner — T Chase Nelson

Assistant Examiner — Jonathan J. Han

(74) *Attorney, Agent, or Firm* — Berenato & White, LLC

(57) **CLAIM**

The ornamental design for a door facing, as shown and described.

DESCRIPTION

FIG. 1 is a front perspective view of a door facing, showing our design;

FIG. 2 is a front elevational view of FIG. 1;

FIG. 3 is a rear elevational view of FIG. 1;

FIG. 4 is a top elevational view of FIG. 1;

FIG. 5 is a bottom elevational view of FIG. 1;

FIG. 6 is a cross-sectional view taken along the line 6-6 of FIG. 2;

FIG. 7 is a magnified view of a portion of FIG. 6;

FIG. 8 is a right side elevational view of FIG. 1;

FIG. 9 is a left side elevational view of FIG. 1;

FIG. 10 is a cross-sectional view taken along the line 10-10 of FIG. 2;

FIG. 11 is a magnified view of a first portion of FIG. 10;

FIG. 12 is a magnified view of a second portion of FIG. 10;

FIG. 13 is a cross-sectional view taken along the line 13-13 of FIG. 2;

FIG. 14 is a magnified view of a first portion of FIG. 13;

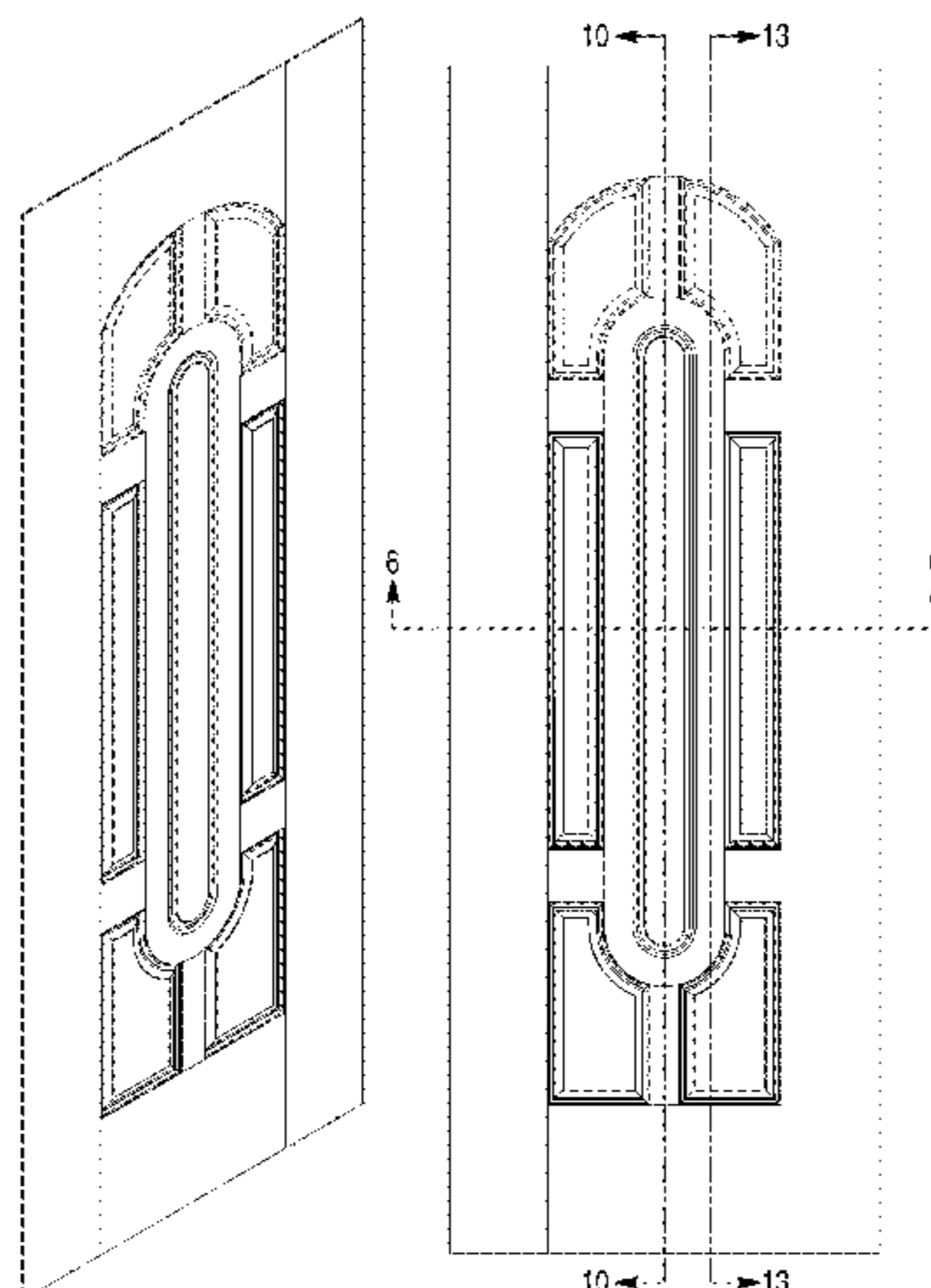
FIG. 15 is a magnified view of a second portion of FIG. 13;

FIG. 16 is a magnified view of a third portion of FIG. 13; and,

FIG. 17 is a magnified view of a fourth portion of FIG. 13.

The broken lines in the figures depict portions of the door facing that form no part of the claimed design. The broken lines between the arrows in FIG. 2 show locations of cross-sectional views seen in FIGS. 6, 10, and 13 and form no part of the claimed design. The oval broken lines in FIGS.

(Continued)



6-7 and 10-17 indicate the locations and boundaries of enlarged views and form no part of the claimed design.

1 Claim, 7 Drawing Sheets

Related U.S. Application Data

continuation of application No. 29/491,981, filed on May 27, 2014, now Pat. No. Des. 791,969, which is a continuation of application No. 29/431,342, filed on Sep. 6, 2012, now Pat. No. Des. 705,947.

(58) **Field of Classification Search**

CPC . E06B 3/7001; E06B 3/72; E06B 3/78; E06B 3/76; E06B 1/16; E06B 3/70; E06B 7/23
See application file for complete search history.

(56) **References Cited**

U.S. PATENT DOCUMENTS

D314,242	S	1/1991	Mikolaitis	
D349,352	S	8/1994	Csati	
D371,852	S *	7/1996	Schafernak	D25/48.3
5,534,352	A *	7/1996	Pittman	A47B 96/206 118/72
5,887,402	A *	3/1999	Ruggie	B32B 3/30 52/455
6,200,687	B1 *	3/2001	Smith	B27N 5/00 428/537.1
D467,350	S	12/2002	Jimenez	
D492,420	S *	6/2004	Lynch	D25/48.3
6,764,625	B2 *	7/2004	Walsh	B27N 3/18 264/109
D509,302	S *	9/2005	Walsh	D25/138
D510,771	S *	10/2005	Walsh	D25/138
6,988,342	B2 *	1/2006	Luetgert	B44C 5/04 52/313
D526,418	S *	8/2006	Walsh	D25/138
D526,419	S *	8/2006	Walsh	D25/138
D543,641	S *	5/2007	Walsh	D25/138
D550,856	S *	9/2007	Hackett	D25/48.3

D552,254	S	10/2007	Hackett	
D552,255	S	10/2007	Hackett	
D583,068	S *	12/2008	Steiber	D25/48.3
D583,069	S *	12/2008	Lynch	D25/138
D587,813	S *	3/2009	Steiber	D25/48.3
D607,120	S *	12/2009	Davina	D25/48.3
D614,310	S *	4/2010	Davina	D25/48.3
D617,005	S *	6/2010	Mullet	D25/48.3
D625,836	S *	10/2010	Walsh	D25/48.3
D634,854	S	3/2011	Lynch	
D634,855	S	3/2011	Lynch	
7,959,817	B2 *	6/2011	Luetgert	B44F 9/02 216/32
D669,599	S *	10/2012	Walsh	D25/48.3
D686,752	S *	7/2013	Lynch	D25/48.3
D687,165	S *	7/2013	Walsh	D25/48.3
D696,422	S *	12/2013	Walsh	D25/48.3
D701,324	S *	3/2014	Lynch	D25/48.3
D705,946	S *	5/2014	Wysock	D25/48.3
D705,947	S	5/2014	Wysock	
D736,409	S *	8/2015	Gouge	D25/48.3
D748,816	S *	2/2016	Gouge	D25/48.3
D753,842	S *	4/2016	Wysock	D25/48.3
D791,969	S	7/2017	Wysock	
9,744,801	B2 *	8/2017	Allen	B44B 5/026
D802,793	S *	11/2017	Gouge	D25/48.3
D804,056	S *	11/2017	Wysock	D25/48.3
D808,541	S *	1/2018	Gouge	D25/48.3
10,294,711	B2 *	5/2019	Ali	E06B 3/7015
D855,216	S	7/2019	Wysock	
2011/0036036	A1	2/2011	Thompson	
2011/0107703	A1	5/2011	Mullet	

OTHER PUBLICATIONS

Center Arch Light Entry Door, Pella , [online], [site visited Aug. 26, 2016].<URL; <http://www.pella.com/doors/center-arch-light-entry-doors/architect-series/>>.

Lakewood Brass Center Arch Lite Front Dorr, Home Depot, [online], [site visited Aug. 26, 2016]. <URL; <http://www.homedepot.com/p/Feather-River-Doors-37-5in-x-81-625-in-Lakewood-Brass-Center-Arch-Lite-Stained-Medium-Oak-Fiberglass-Prehung-Front-Door-321405/100086267>>.

* cited by examiner

FIG. 1

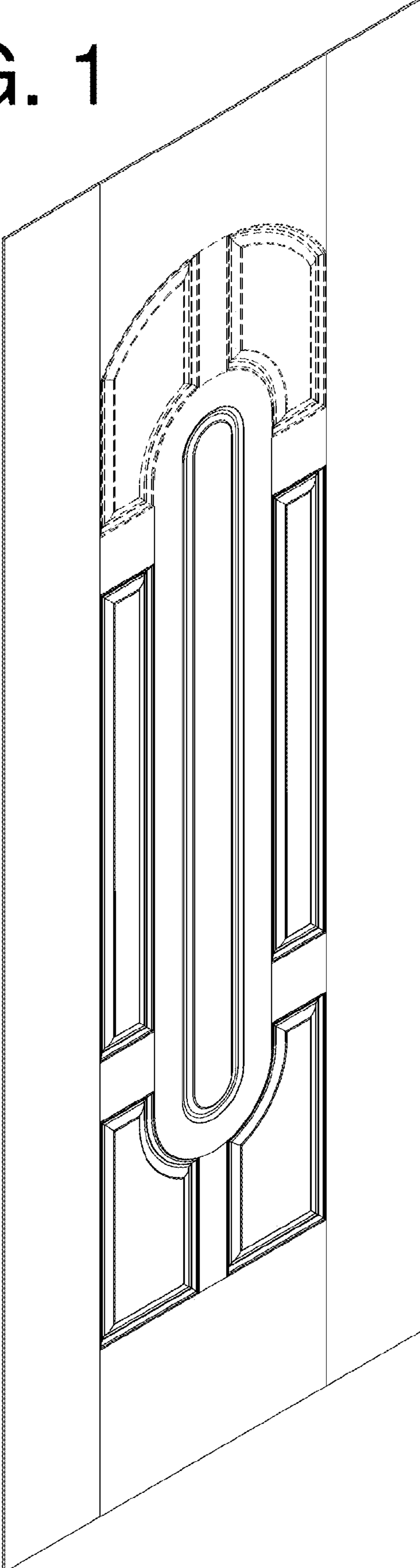


FIG. 2

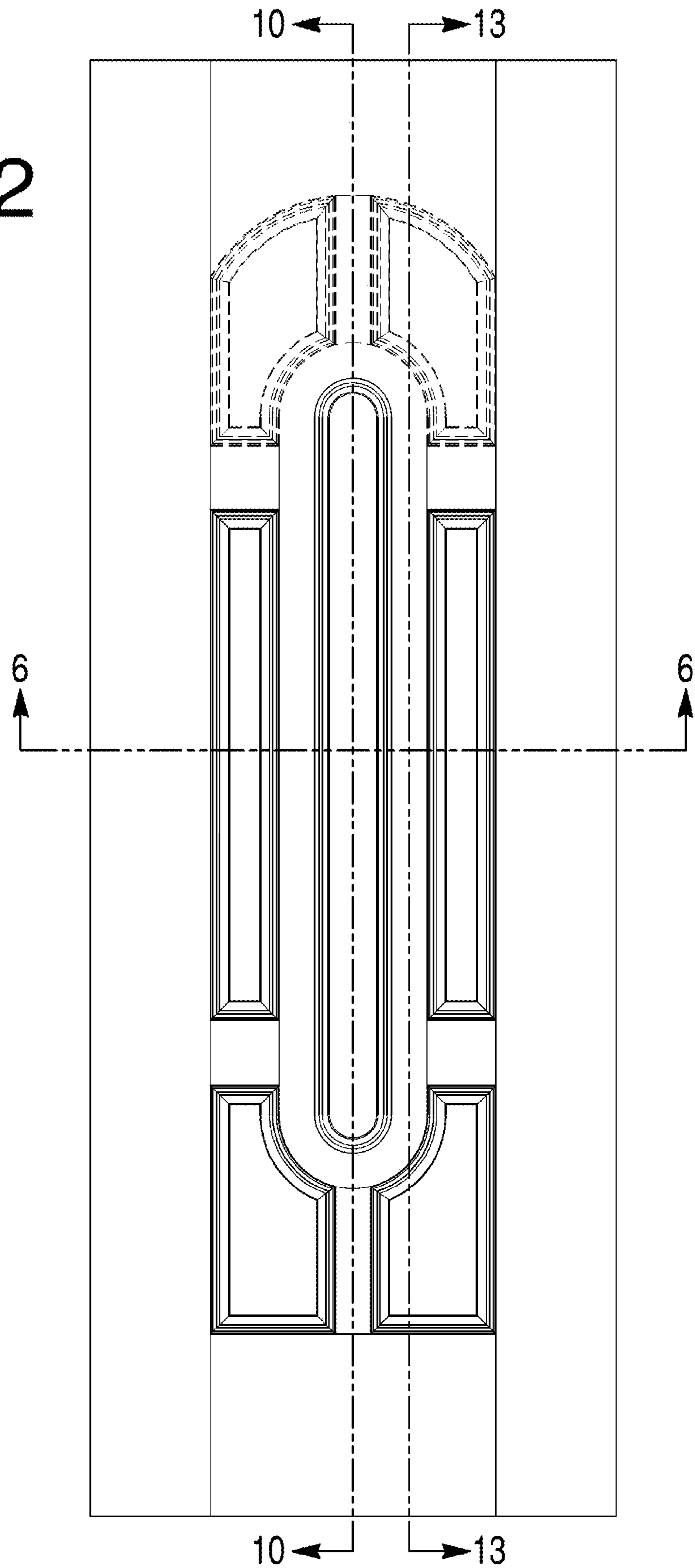


FIG. 3

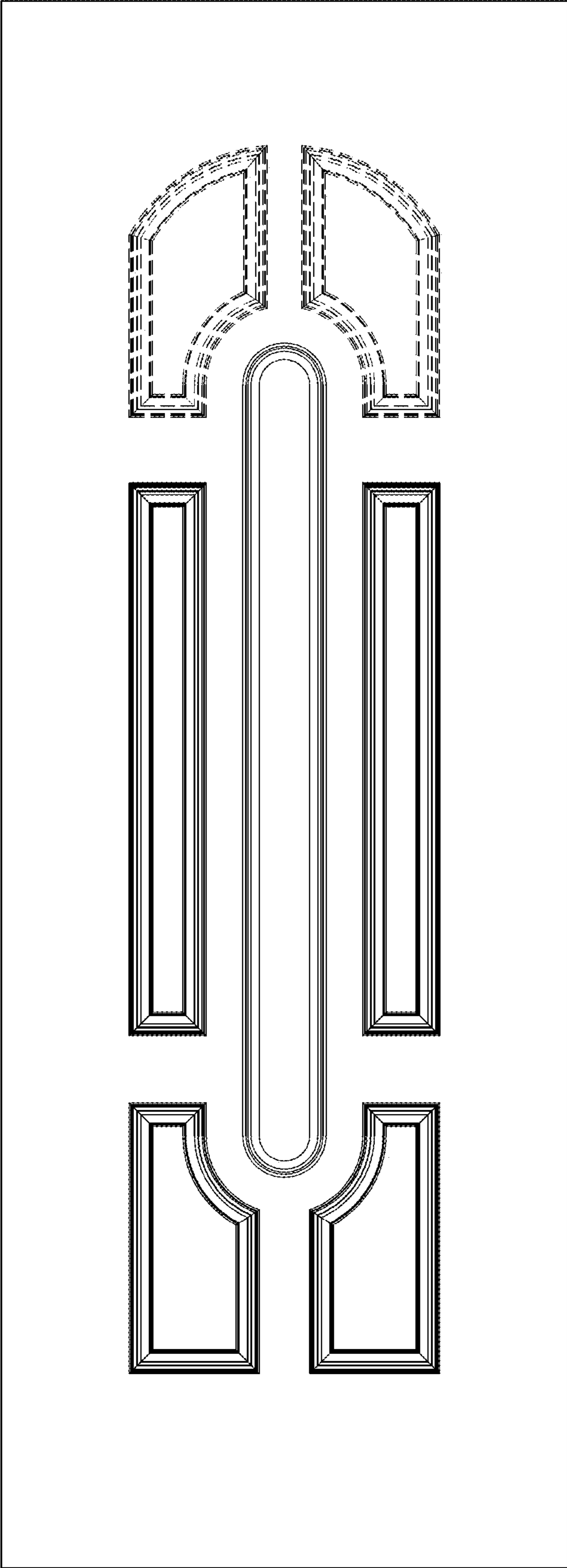


FIG. 4

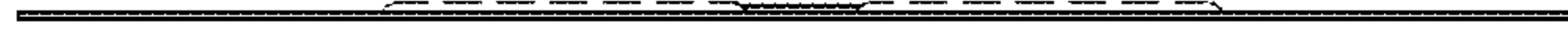


FIG. 5



FIG. 6



FIG. 7

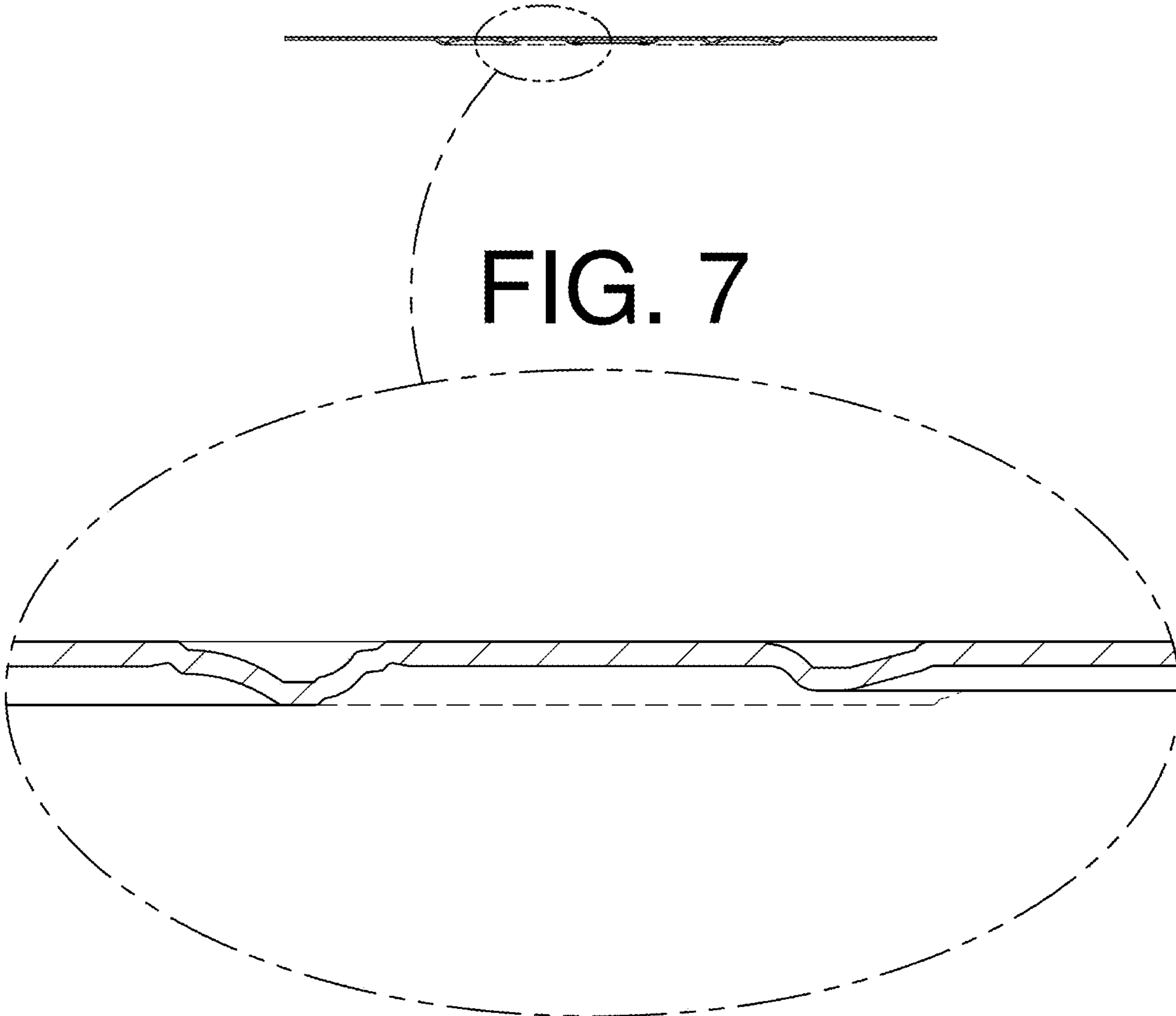


FIG. 8



FIG. 9



FIG. 10

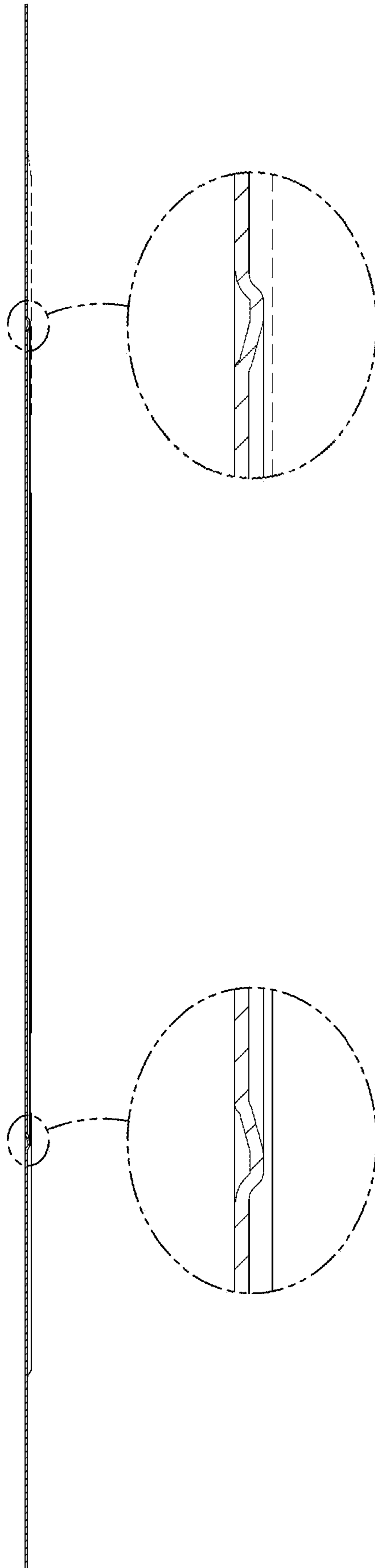


FIG. 11

FIG. 12

FIG. 13

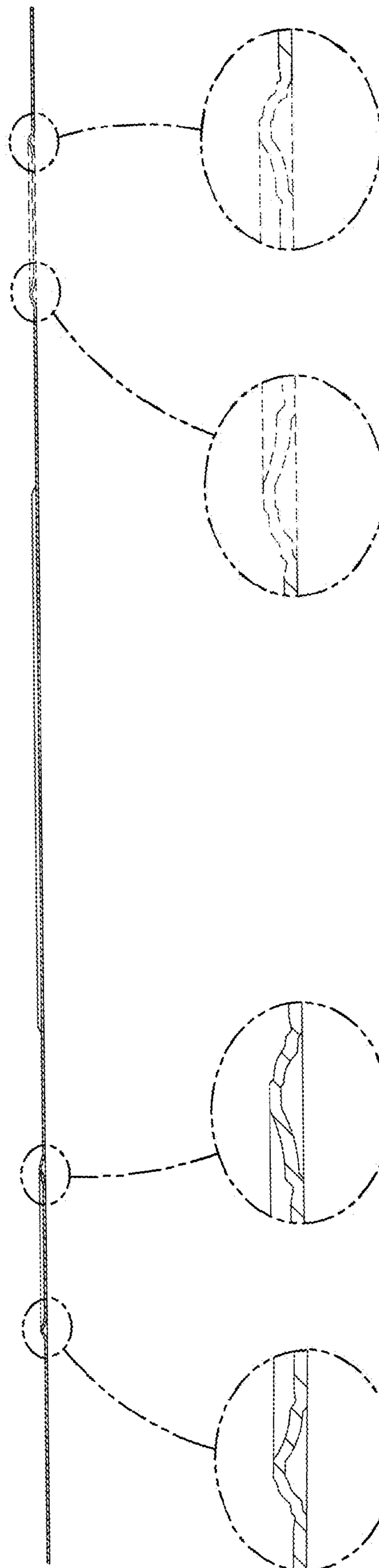


FIG. 14

FIG. 15

FIG. 16

FIG. 17