



US00D919114S

(12) **United States Design Patent** (10) **Patent No.:** **US D919,114 S**  
**Teramura** (45) **Date of Patent:** **\*\* May 11, 2021**

(54) **CULTURE DEVICE**  
(71) Applicant: **JNC CORPORATION**, Tokyo (JP)  
(72) Inventor: **Hajime Teramura**, Kanagawa (JP)  
(73) Assignee: **JNC CORPORATION**, Tokyo (JP)  
(\*\*) Term: **15 Years**  
(21) Appl. No.: **29/676,072**  
(22) Filed: **Jan. 8, 2019**

D544,343 S \* 6/2007 Liebe ..... D28/78  
D645,339 S \* 9/2011 Oakes ..... D9/420  
D674,505 S \* 1/2013 Cecchi ..... D24/224  
D707,039 S \* 6/2014 Zerlin ..... D3/203.2  
D790,334 S \* 6/2017 Pan ..... D9/423  
D811,740 S \* 3/2018 Harrison ..... D3/264  
D831,842 S \* 10/2018 Katsumata ..... D24/224  
D834,302 S \* 11/2018 Paz ..... D3/203.1  
D834,303 S \* 11/2018 Paz ..... D3/203.1  
D855,203 S \* 7/2019 Katsumata ..... D24/224  
D874,018 S \* 1/2020 Teramura ..... D24/225  
D876,665 S \* 2/2020 Teramura ..... D24/224

(Continued)

(30) **Foreign Application Priority Data**  
Jul. 11, 2018 (JP) ..... D2018-015363  
(51) **LOC (13) Cl.** ..... **24-02**  
(52) **U.S. Cl.**  
USPC ..... **D24/225**  
(58) **Field of Classification Search**  
USPC ..... D24/216, 223-227, 229-232; D9/420,  
D9/537, 545, 549, 700, 705, 706;  
D3/203.1, 203.2; D10/81; D28/78  
CPC .. B01L 3/0275; B01L 3/5085; B01L 3/50825;  
C12M 23/10; C12M 23/12  
See application file for complete search history.

**FOREIGN PATENT DOCUMENTS**

JP D2010-12581 \* 5/2010

*Primary Examiner* — Susan Bennett Hattan  
*Assistant Examiner* — Omeed Agilee

(57) **CLAIM**

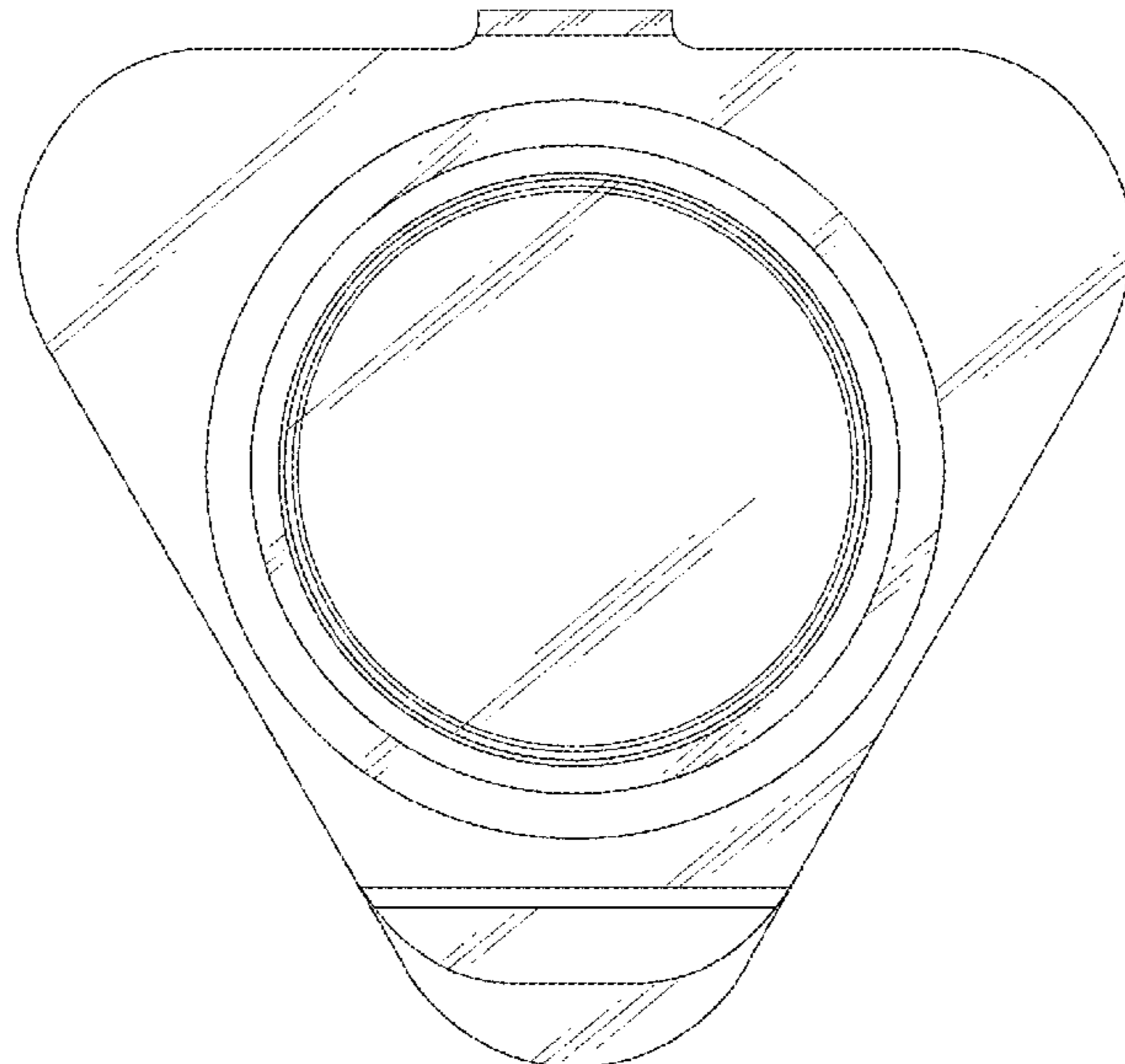
The ornamental design for a culture device, as shown and described.

**DESCRIPTION**

FIG. 1 is a front elevational view of a culture device showing my new design;  
FIG. 2 is a rear elevational view thereof;  
FIG. 3 is a left side elevational view thereof;  
FIG. 4 is a right side elevational view thereof;  
FIG. 5 is a top plan elevational view thereof;  
FIG. 6 is a bottom elevational view thereof;  
FIG. 7 is a cross-sectional view thereof taken along a line 7-7 of FIG. 1;  
FIG. 8 is a front elevational view thereof in an open position; and,  
FIG. 9 is a right side elevational view thereof in an open position.  
The culture device in the present design is entirely transparent.

(56) **References Cited**  
**U.S. PATENT DOCUMENTS**  
D227,744 S \* 7/1973 Mitchko ..... D3/203.2  
D238,756 S \* 2/1976 Swett ..... D3/203.2  
D238,886 S \* 2/1976 Goy ..... D24/224  
D258,575 S \* 3/1981 Stettler ..... D28/78  
D258,761 S \* 3/1981 Graham ..... D24/226  
D302,872 S \* 8/1989 Bakic ..... D28/78  
D303,163 S \* 8/1989 Bakic ..... D28/78  
D316,752 S \* 5/1991 Ricketts ..... D24/226  
D316,753 S \* 5/1991 Ricketts ..... D24/224  
D318,144 S \* 7/1991 Scarpa ..... D28/78  
D517,733 S \* 3/2006 Tsai ..... D28/78  
D544,342 S \* 6/2007 Liebe ..... D28/78

**1 Claim, 7 Drawing Sheets**



(56)

**References Cited**

U.S. PATENT DOCUMENTS

D884,210 S \* 5/2020 Teramura ..... D24/224  
D884,211 S \* 5/2020 Teramura ..... D24/224

\* cited by examiner

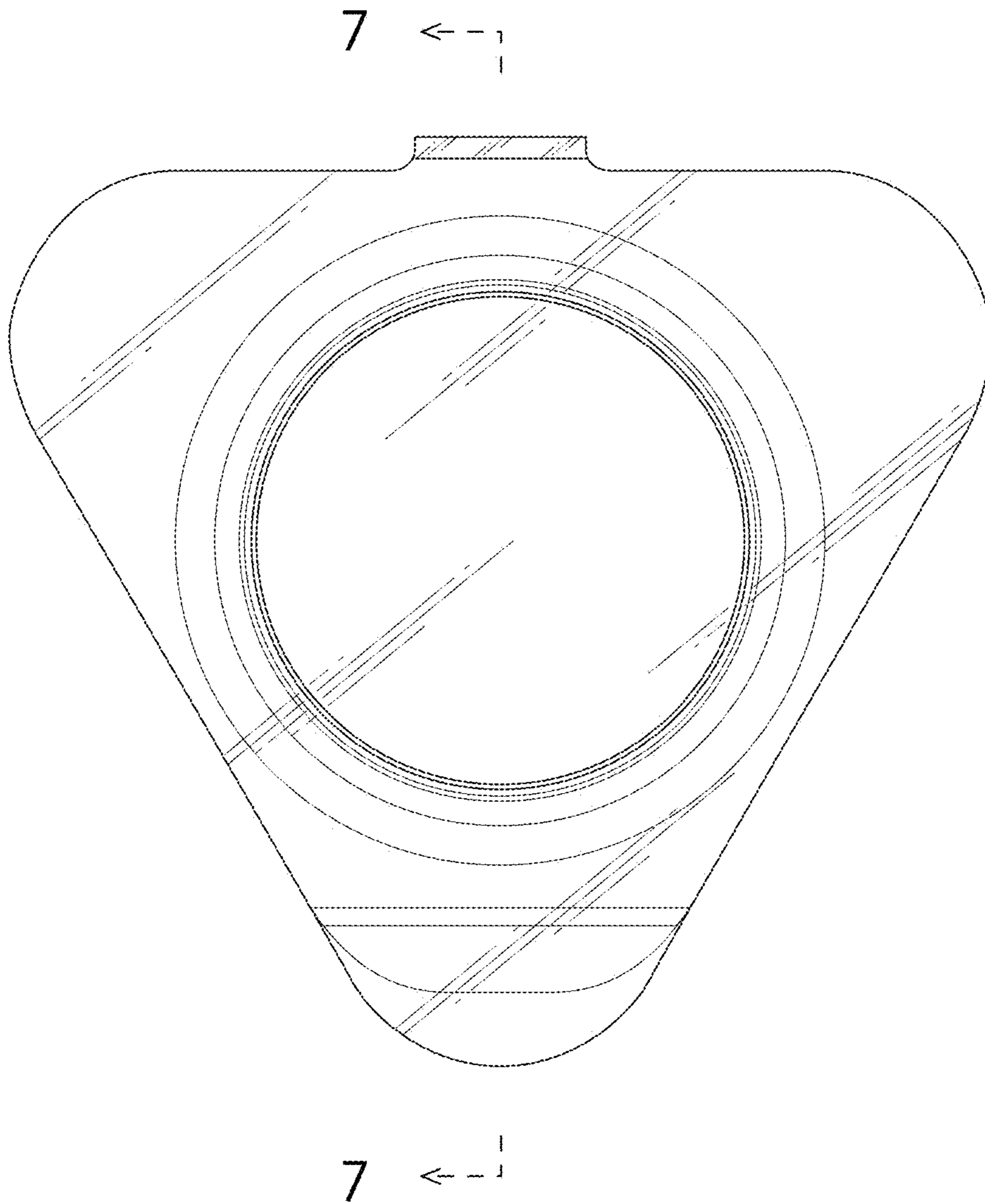


FIG. 1

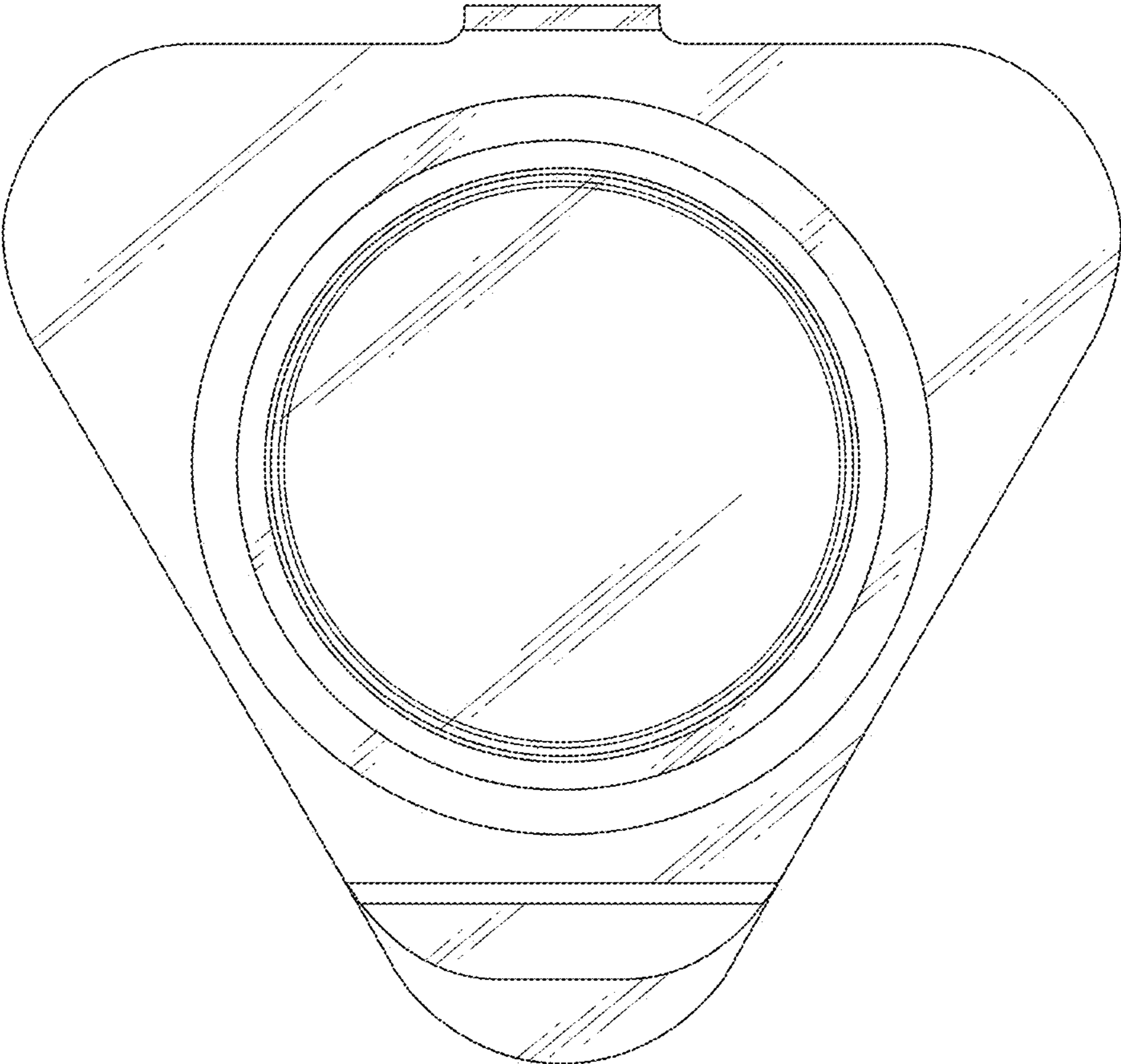


FIG.2

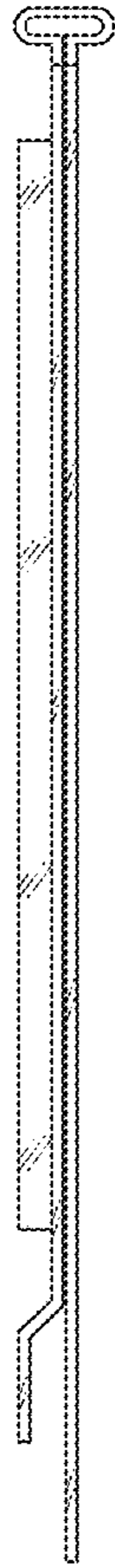


FIG.3



FIG.4



FIG. 5

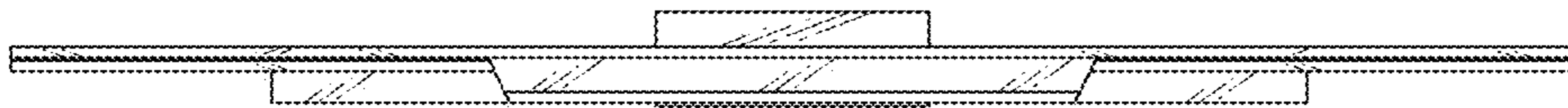


FIG. 6

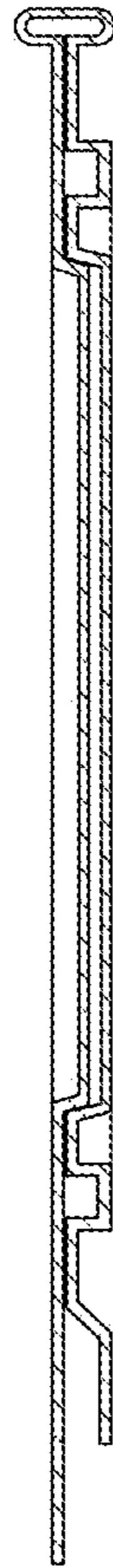


FIG.7

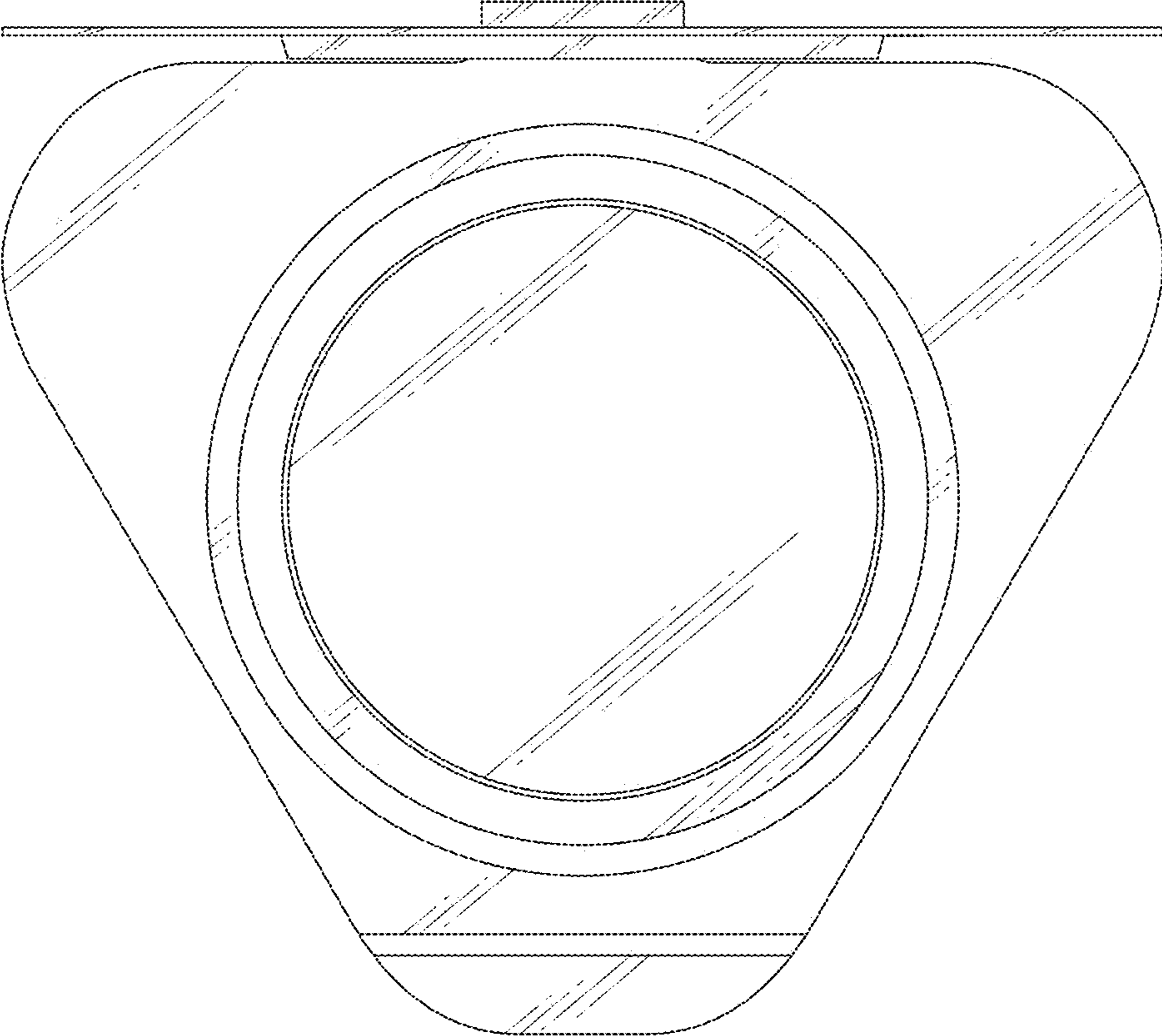


FIG.8



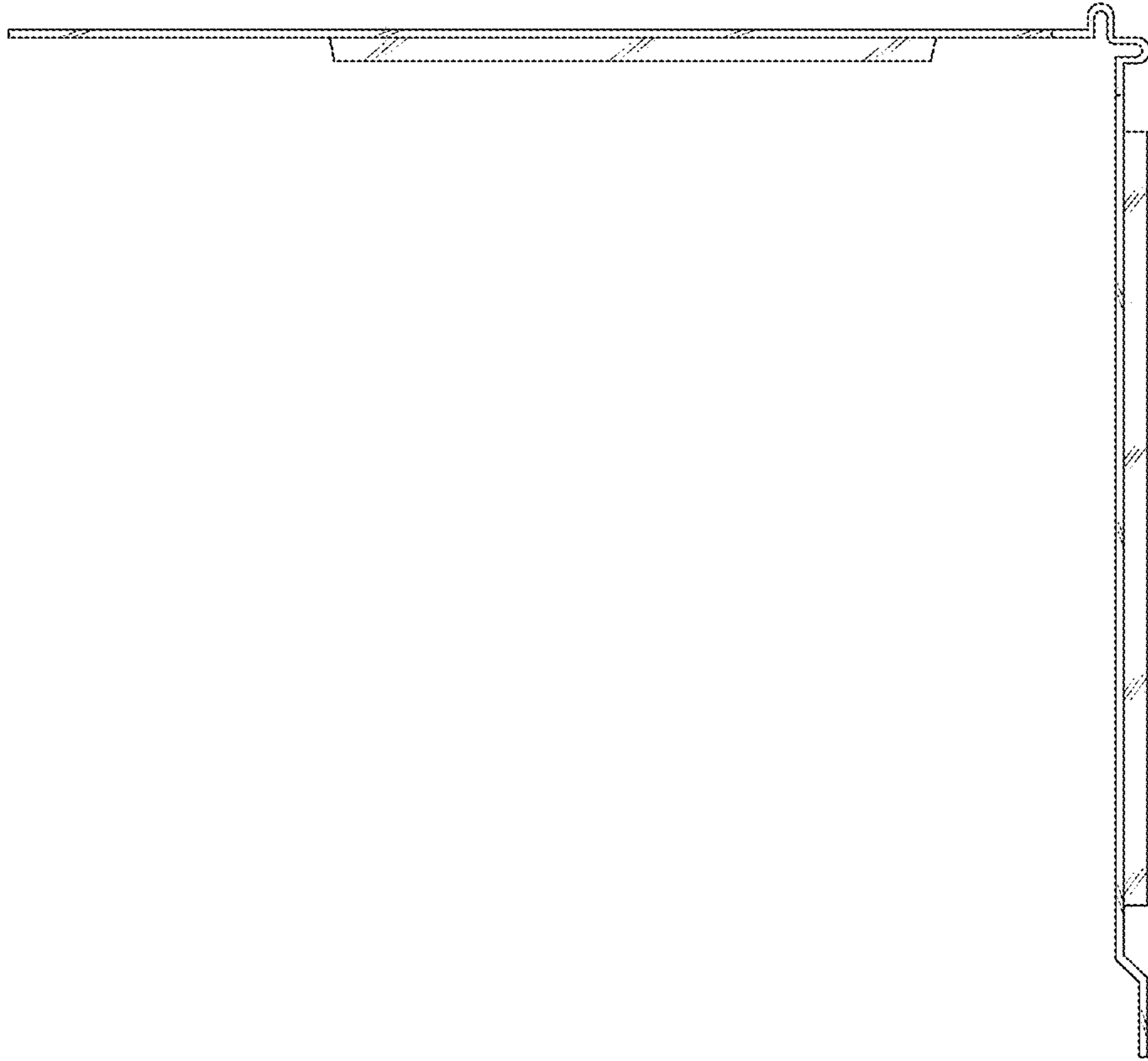


FIG.9