



US00D919113S

(12) **United States Design Patent** (10) **Patent No.:** **US D919,113 S**
Djeu (45) **Date of Patent:** **** May 11, 2021**

(54) **VIAL WITH CONE BOTTOM**
(71) Applicant: **Derek Djeu**, Tampa, FL (US)
(72) Inventor: **Derek Djeu**, Tampa, FL (US)
(**) Term: **15 Years**
(21) Appl. No.: **29/707,503**
(22) Filed: **Sep. 27, 2019**
(51) **LOC (13) Cl.** **24-02**
(52) **U.S. Cl.**
USPC **D24/224**
(58) **Field of Classification Search**
USPC D24/169, 216, 222-226, 231, 232;
D9/500, 537, 539, 544, 545, 549, 558,
D9/574; D3/203.1-203.8
CPC A61J 1/1425; B65D 51/002; B65D 39/00;
B65D 1/00; B65D 1/02; B65D 1/023;
G01N 21/718; C03C 3/091; B01L
3/5021; B01L 3/50825
See application file for complete search history.

(56) **References Cited**

U.S. PATENT DOCUMENTS

D287,335 S * 12/1986 Anderson D24/117
D299,954 S * 2/1989 Baxter D24/224
D378,940 S * 4/1997 Baxter D24/224
5,750,075 A * 5/1998 Spike B01L 3/508
206/446
D469,185 S * 1/2003 Lodge D24/224
D550,080 S * 9/2007 Rica D9/500
D553,254 S * 10/2007 Colin D24/224
D567,388 S * 4/2008 Harold D24/224
D586,472 S * 2/2009 Harold D24/224
D629,916 S * 12/2010 Lodge D24/224
D635,028 S * 3/2011 Daniele D9/500
D637,083 S * 5/2011 Delbon D9/500
D684,065 S * 6/2013 Wiseman D9/652
D684,805 S * 6/2013 Bjerre-Poulsen D7/316
D696,117 S * 12/2013 Lee D9/500
D698,243 S * 1/2014 Letamendi D9/500

D826,051 S * 8/2018 Lauret D9/500
D856,808 S * 8/2019 Rowell D9/500
D910,447 S * 2/2021 Feletto D9/500
D911,842 S * 3/2021 Lauret D9/500
2012/0067888 A1 * 3/2012 Kawachi A61J 1/1425
220/233
2012/0184938 A1 * 7/2012 Lev B65D 51/002
604/414
2013/0119011 A1 * 5/2013 Kawachi B65D 39/00
215/355
2020/0173929 A1 * 6/2020 Norriss G01N 21/718
(Continued)

OTHER PUBLICATIONS

J&K Scientific 10mL Headspace Vial, Clear Glass, 20mm Crimp-top, Flat Bottom. Online, published date Nov. 6, 2018. Retrieved on Mar. 8, 2021 from URL: [https://www.amazon.com/Scientific-968631-Bottom-Crimp-top-Headspace/dp/B07K7Z8XKM/ref=sr_1_42?dchild=1&keywords=vial&qid=1615244125&s=industrial&sr=1-42&\(Year:2018\).](https://www.amazon.com/Scientific-968631-Bottom-Crimp-top-Headspace/dp/B07K7Z8XKM/ref=sr_1_42?dchild=1&keywords=vial&qid=1615244125&s=industrial&sr=1-42&(Year:2018).)*

Primary Examiner — Janice Hallmark
Assistant Examiner — Omeed Agilee
(74) *Attorney, Agent, or Firm* — Quickpatents, LLC;
Kevin Prince

(57) **CLAIM**

The ornamental design for a vial with cone bottom, as shown and described.

DESCRIPTION

FIG. 1 is a front elevational view of a vial with cone bottom, showing my new design, the rear elevational view, left-side elevational view, and right-side elevational view all being identical thereto;
FIG. 2 is a top plan view thereof;
FIG. 3 is a bottom plan view thereof; and,
FIG. 4 is a cross-sectional view thereof, taken along line 4--4 of FIG. 1.

1 Claim, 2 Drawing Sheets



(56)

References Cited

U.S. PATENT DOCUMENTS

2020/0399165 A1* 12/2020 Frost C03C 23/007
2021/0000690 A1* 1/2021 Langsdorf C03C 17/005

* cited by examiner

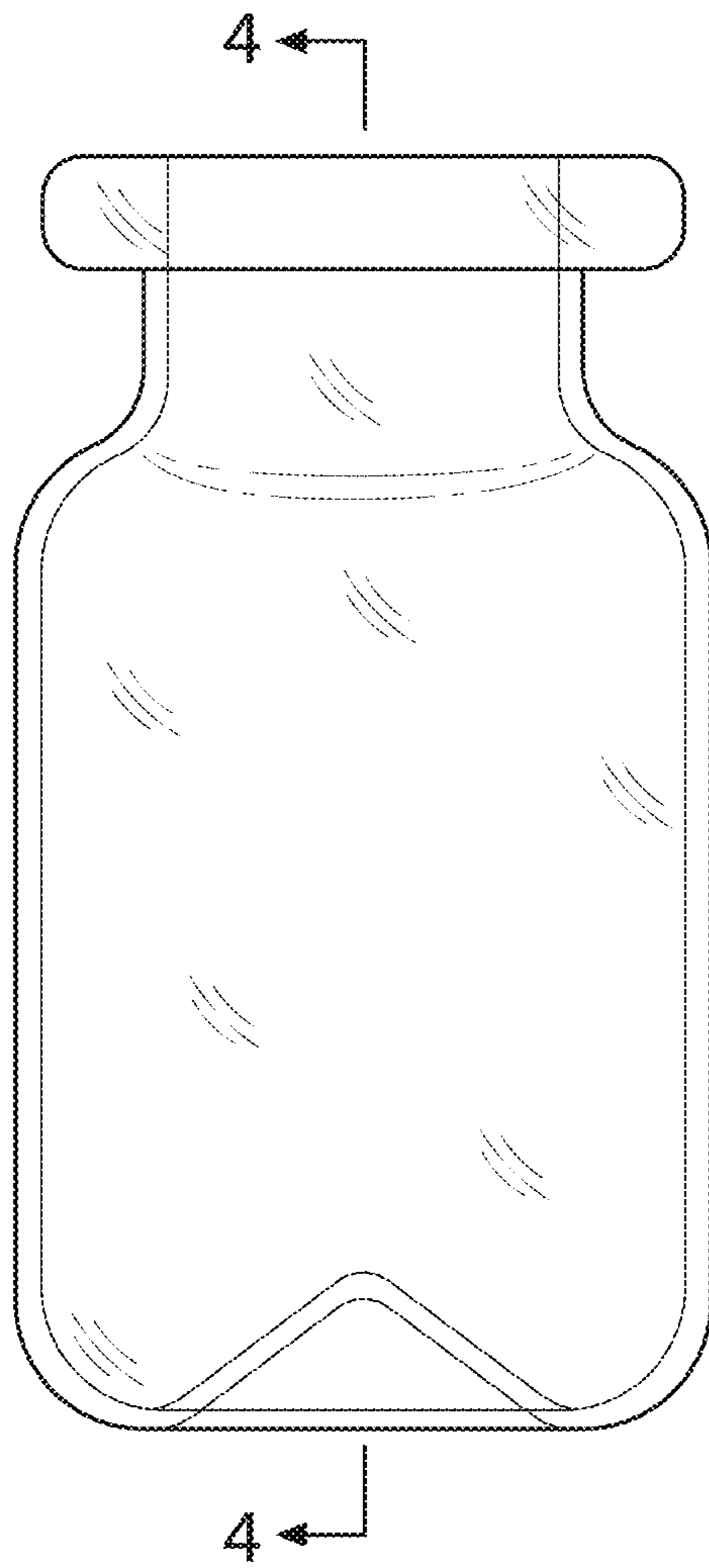


FIG. 1

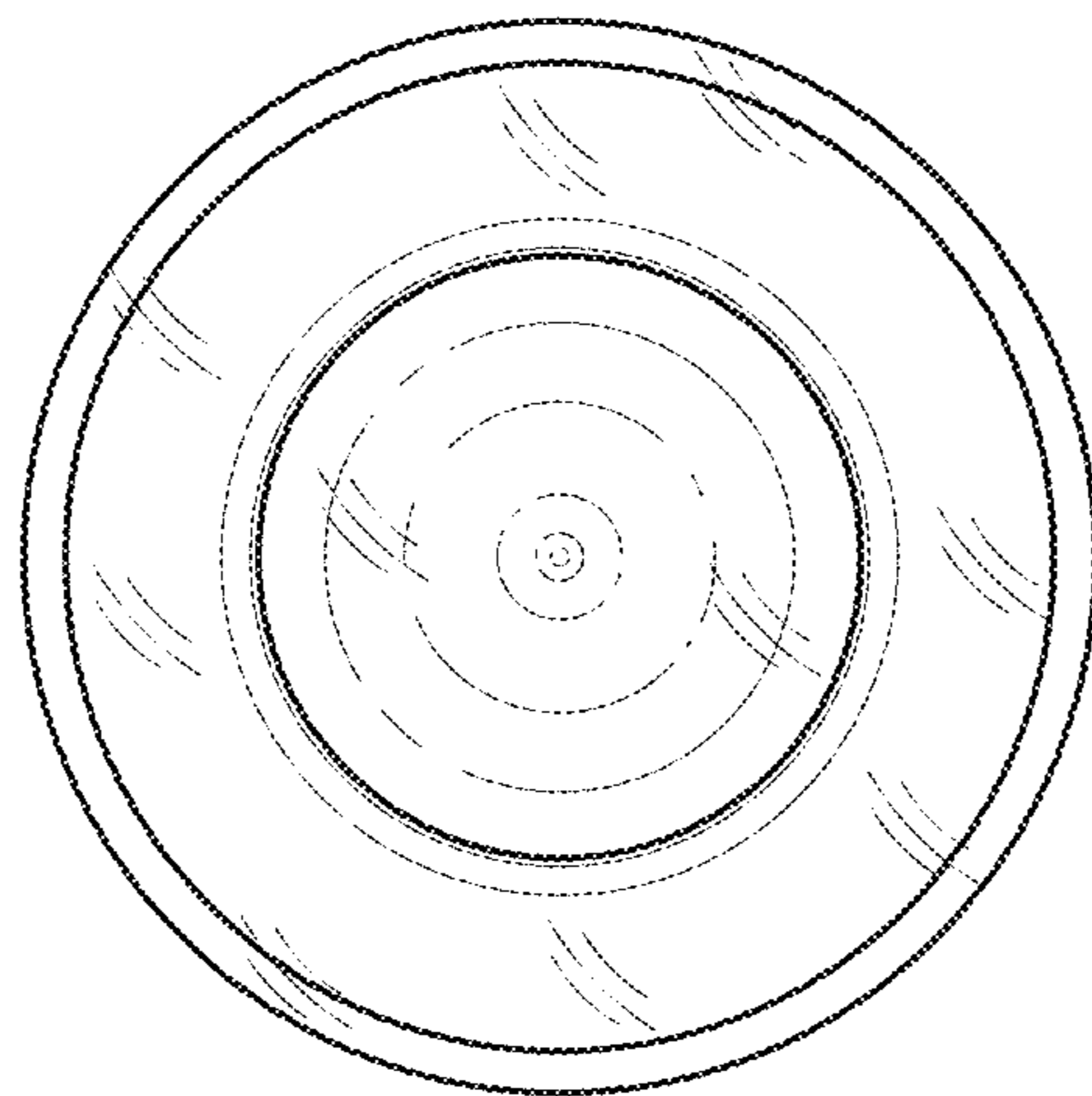


FIG. 2

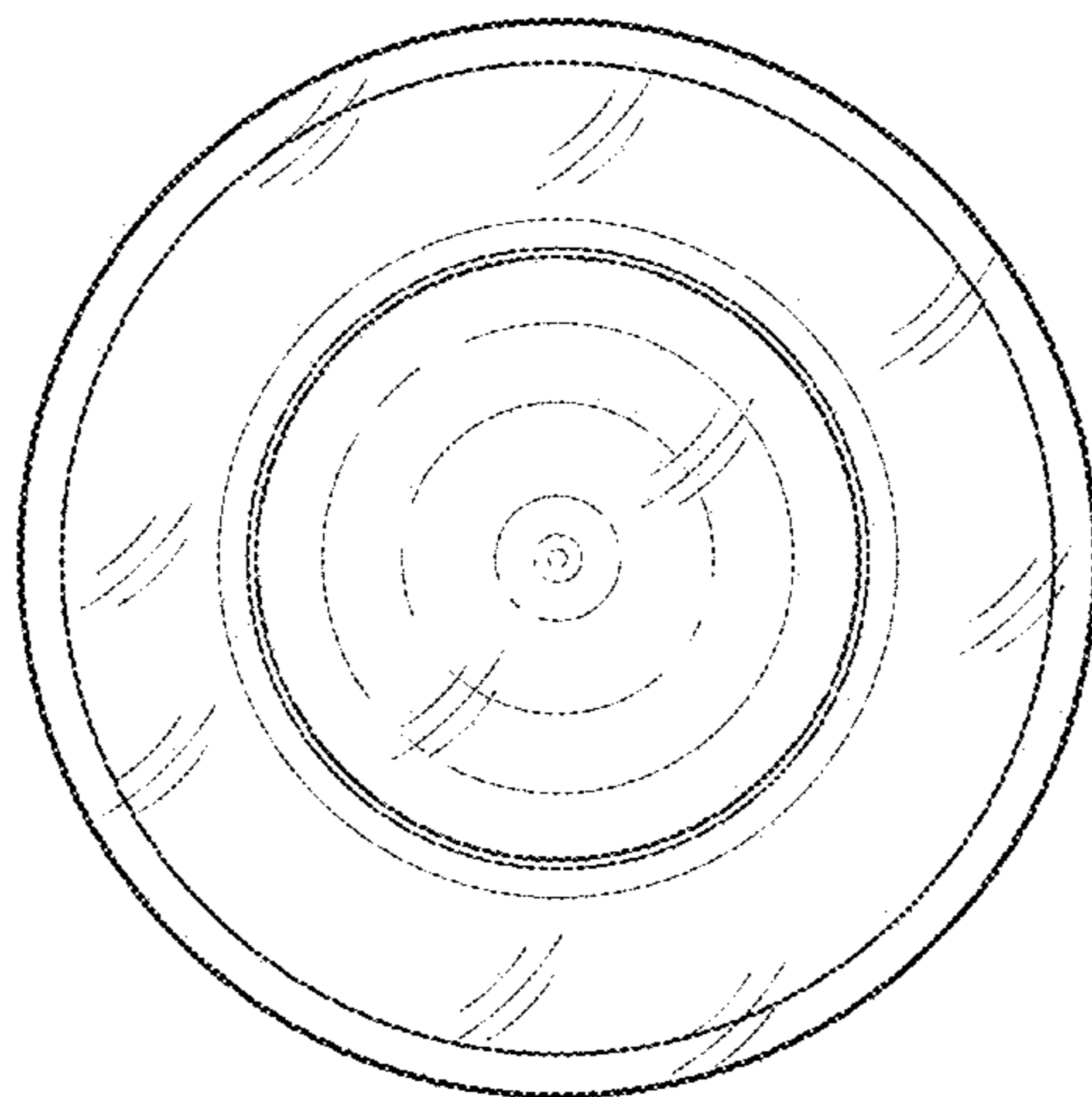


FIG. 3



FIG. 4