



US00D919112S

(12) **United States Design Patent** (10) **Patent No.:** **US D919,112 S**  
**Rathbone et al.** (45) **Date of Patent:** **\*\* May 11, 2021**

- (54) **CONTAINER LID**
- (71) Applicant: **Berns Medical, LLC**, Macomb, MI (US)
- (72) Inventors: **Mark A. Rathbone**, New Baltimore, MI (US); **Steven C. Elliott**, New Baltimore, MI (US); **Michael A. Vettrano**, Lake Orion, MI (US)
- (73) Assignee: **Berns Medical, LLC**, Macomb, MI (US)
- (\*\*) Term: **15 Years**
- (21) Appl. No.: **29/706,326**
- (22) Filed: **Sep. 19, 2019**
- (51) **LOC (13) Cl.** ..... **24-02**
- (52) **U.S. Cl.**  
USPC ..... **D24/224**
- (58) **Field of Classification Search**  
USPC ..... D24/121-123, 207, 216, 224, 226, 227, D24/229, 230; D7/510, 511, 523; D9/503, 504, 529, 537, 539, 540, 547, D9/549, 505  
CPC ..... A61B 10/007; A61B 2010/0009; A61J 1/1412; G01N 33/558; B65B 7/164; B65D 51/1644; A47G 19/2272  
See application file for complete search history.

D717,601	S	*	11/2014	Dixon	.....	D7/510
D773,937	S	*	12/2016	Roth	.....	D9/549
D776,295	S	*	1/2017	Wainwright	.....	D24/224
D797,303	S	*	9/2017	Wan	.....	D24/224
D808,809	S	*	1/2018	Krafft	.....	D9/504
10,245,380	B2		4/2019	Fisher		
D895,139	S	*	9/2020	Hong	.....	D24/224
D901,975	S	*	11/2020	Jacobsen	.....	D7/511
D902,430	S	*	11/2020	Jones	.....	D24/224
2015/0320638	A1	*	11/2015	Becker	.....	A61M 39/162 215/306

**FOREIGN PATENT DOCUMENTS**

EP 3087010 B1 12/2018

\* cited by examiner

*Primary Examiner* — Janice Hallmark  
*Assistant Examiner* — Omeed Agilee  
(74) *Attorney, Agent, or Firm* — Warner Norcross + Judd LLP

(57) **CLAIM**

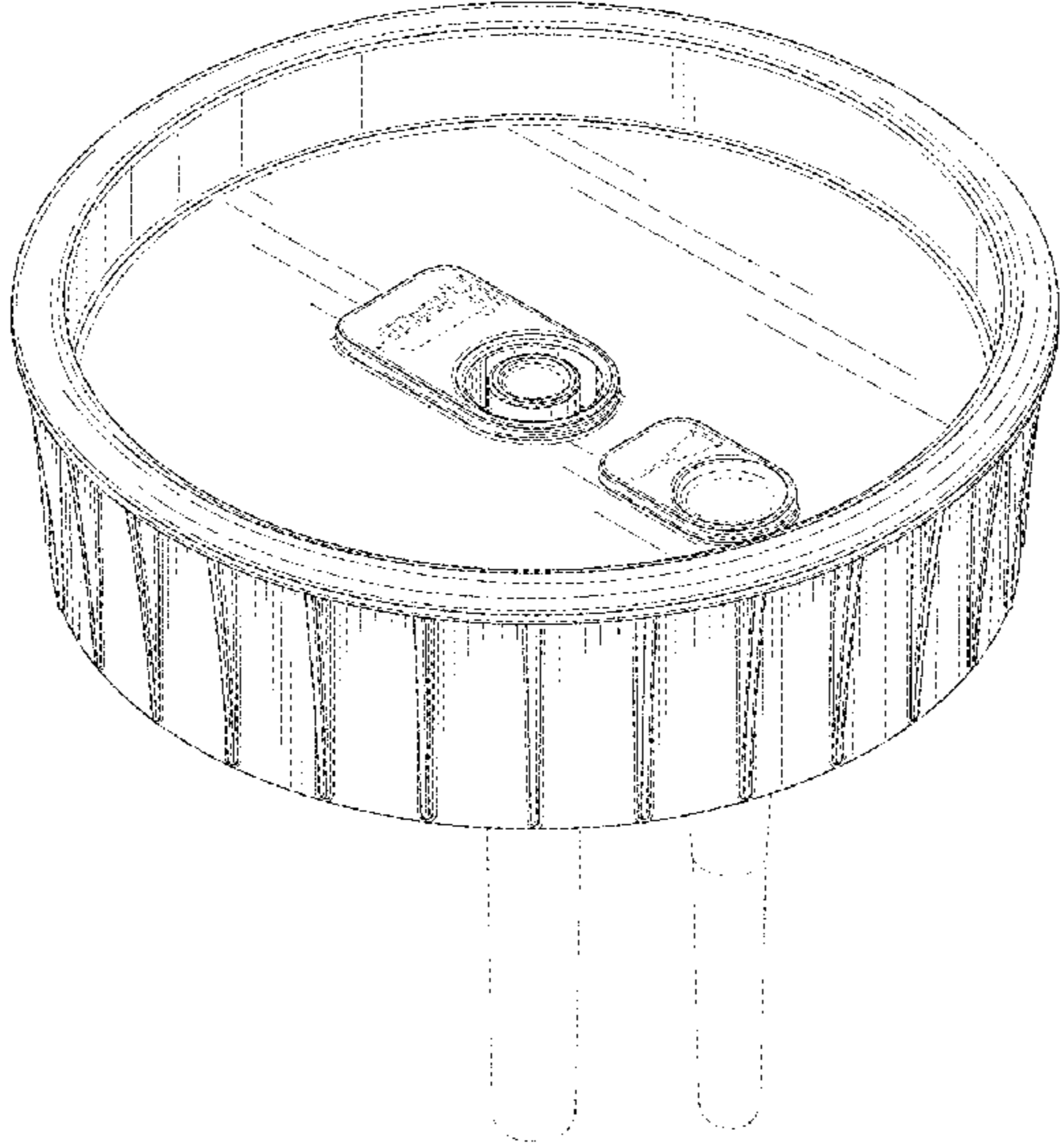
The ornamental design for a container lid, as shown and described.

**DESCRIPTION**

FIG. 1 is a perspective view of a container lid;  
FIG. 2 is a front side view thereof;  
FIG. 3 is a rear view thereof;  
FIG. 4 is a right side view thereof;  
FIG. 5 is a left side view thereof;  
FIG. 6 is a top view thereof;  
FIG. 7 is a bottom view thereof; and,  
FIG. 8 is a section view thereof taken along lines 8-8 of FIG. 6.  
The broken lines adjacent to the shaded areas depict the boundary lines and form no part thereof. The rest of the broken lines depict portions of the container lid that form no part of the claimed design.

**1 Claim, 8 Drawing Sheets**

- (56) **References Cited**  
U.S. PATENT DOCUMENTS  
5,119,830 A \* 6/1992 Davis ..... B01L 3/502  
422/568  
D457,247 S \* 5/2002 Itheme ..... D24/216  
D491,664 S \* 6/2004 Patzer ..... D24/158  
D679,807 S \* 4/2013 Burgess ..... D24/121  
D690,433 S \* 9/2013 Karpiloff ..... D24/224  
D717,115 S \* 11/2014 Lane ..... D7/511  
D717,462 S \* 11/2014 Wainwright ..... D24/216  
D717,463 S \* 11/2014 Wainwright ..... D24/216



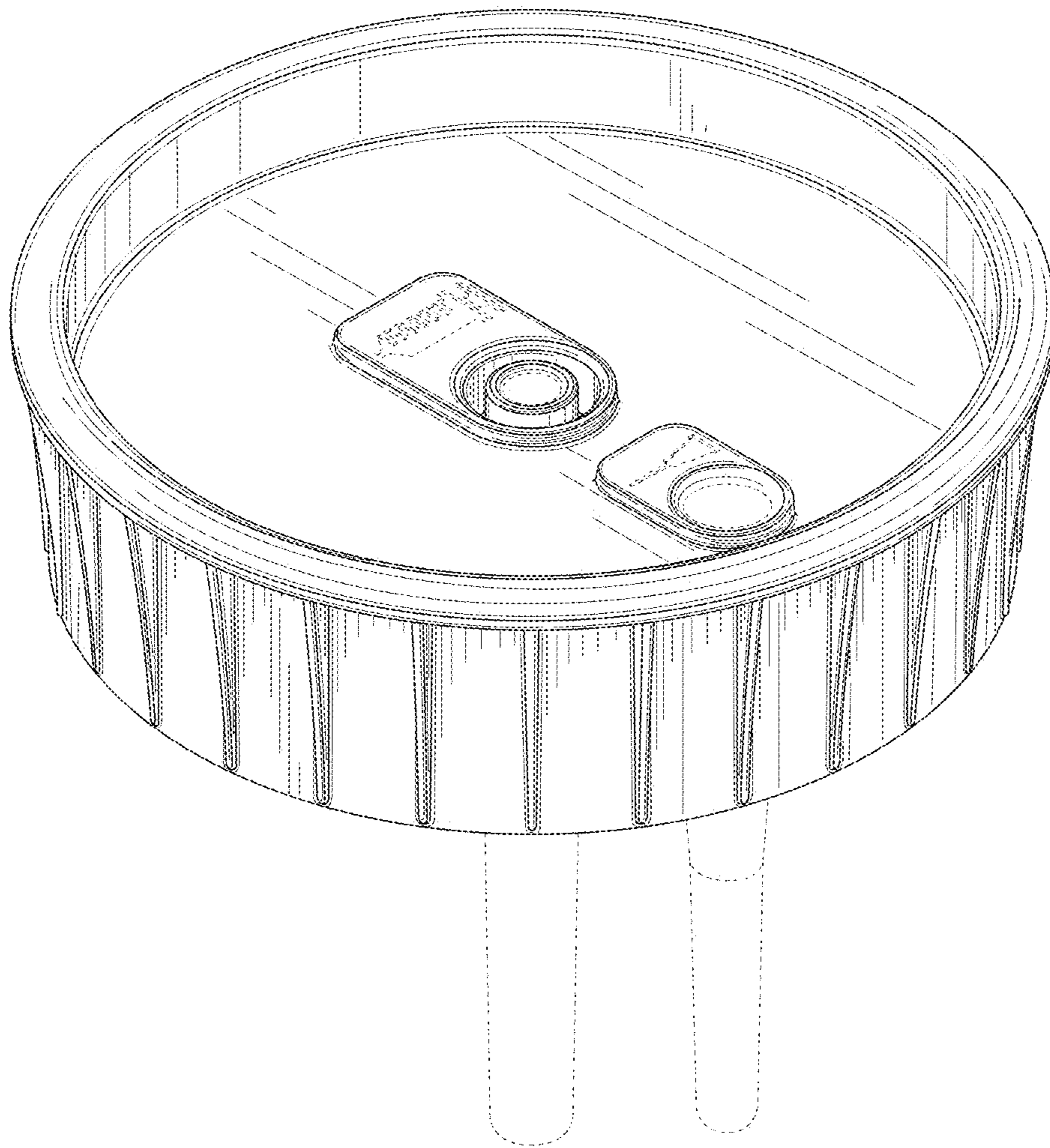


Fig. 1

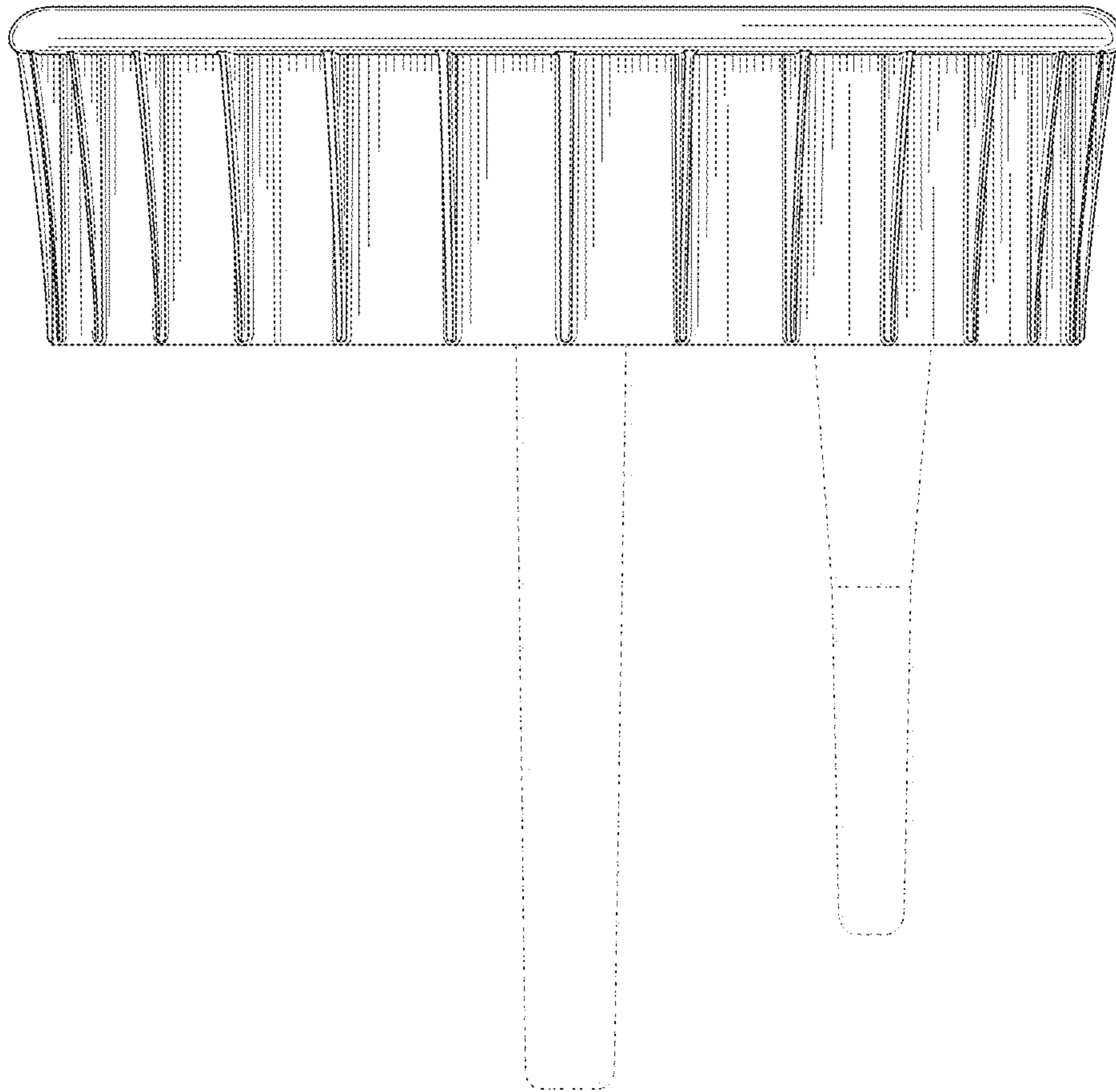


Fig. 2

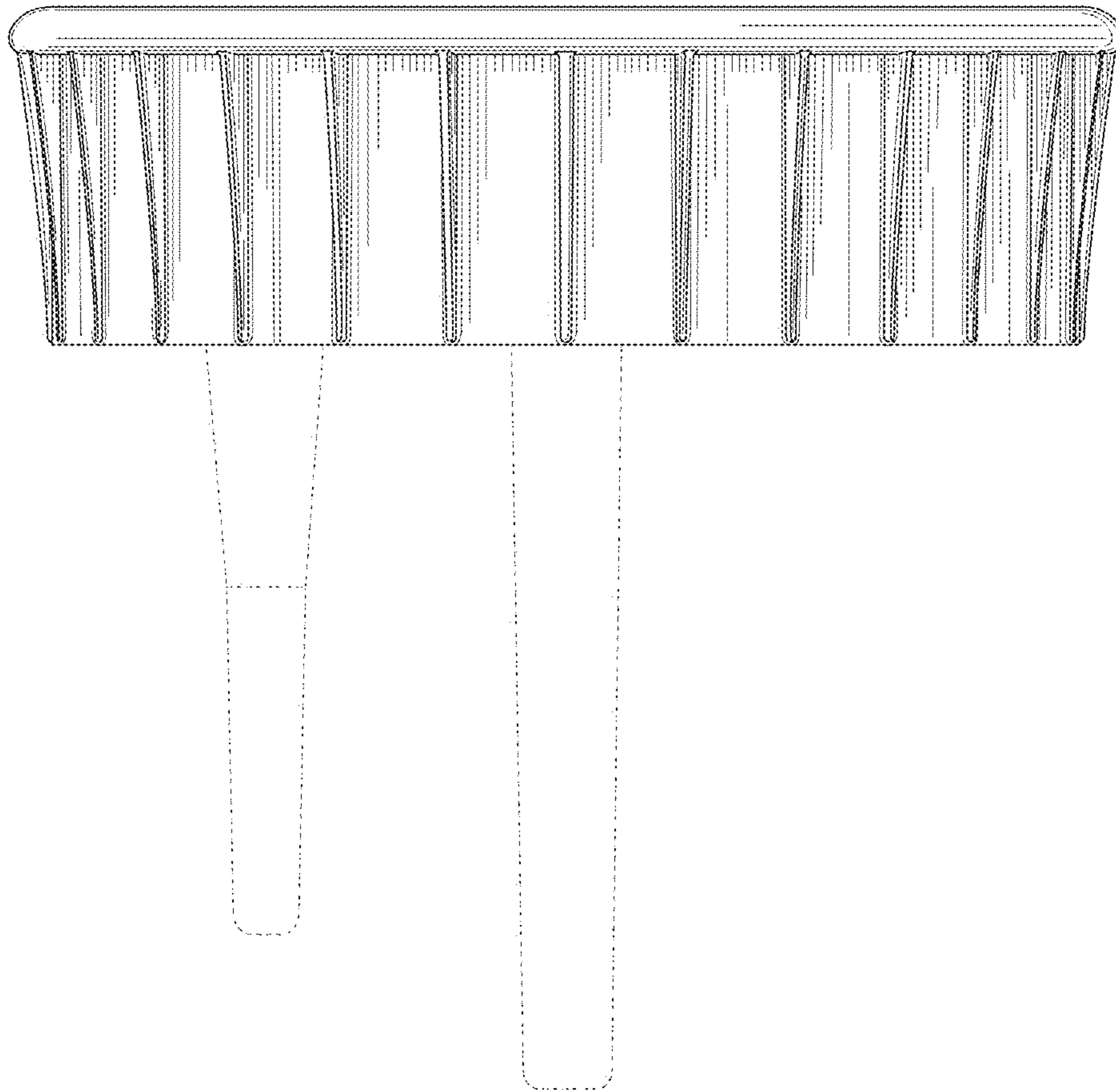


Fig. 3

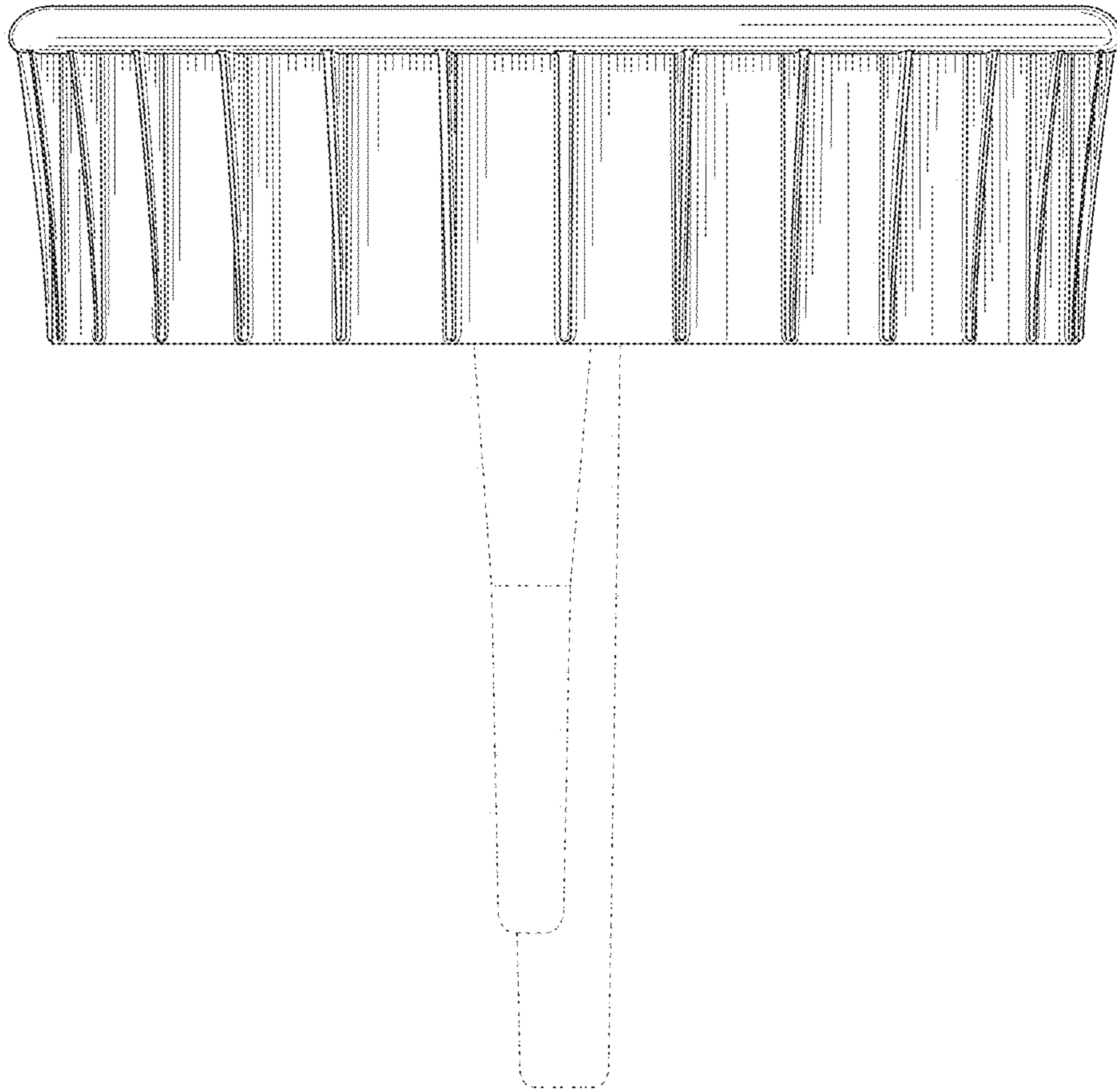


Fig. 4

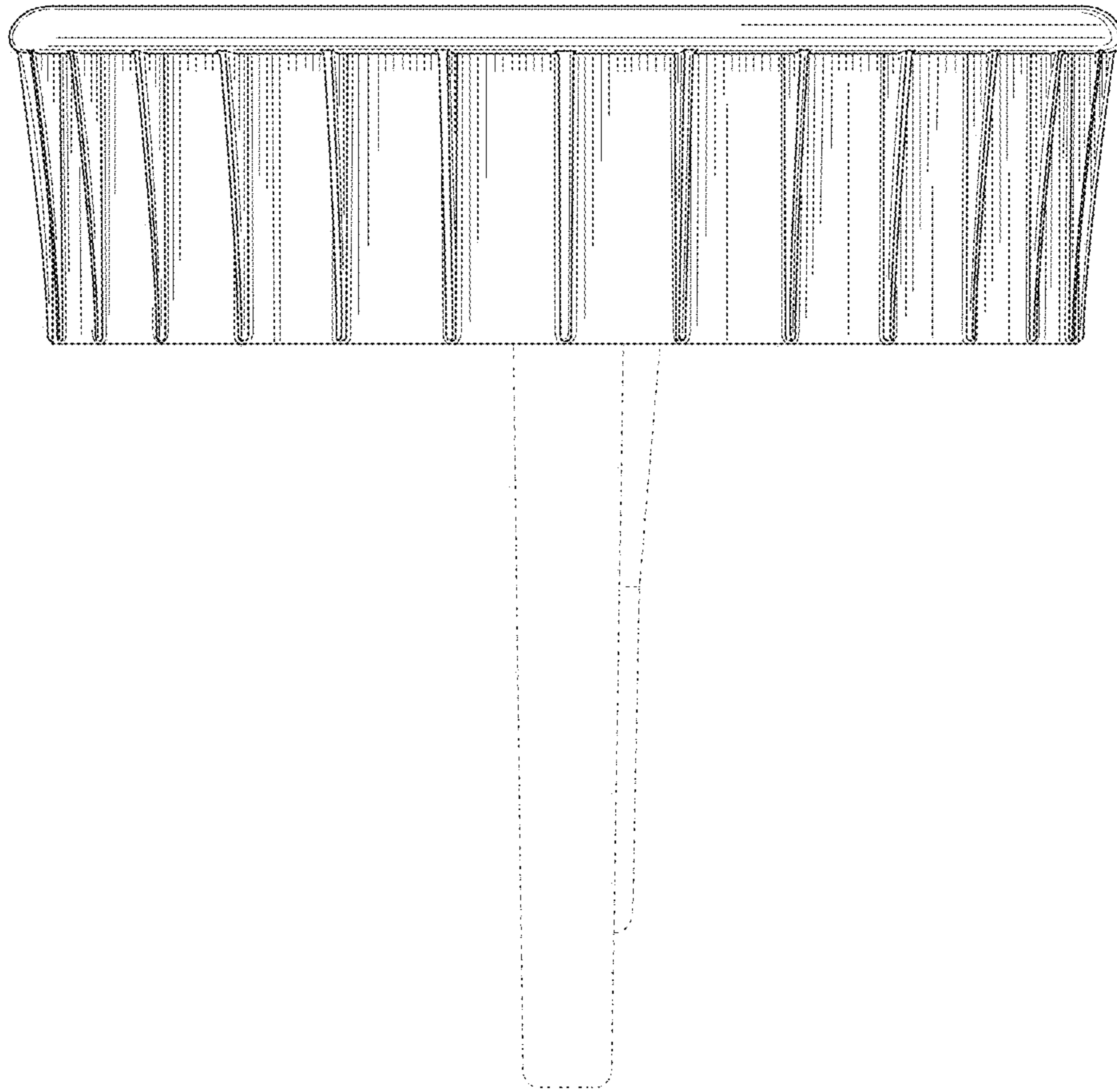


Fig. 5

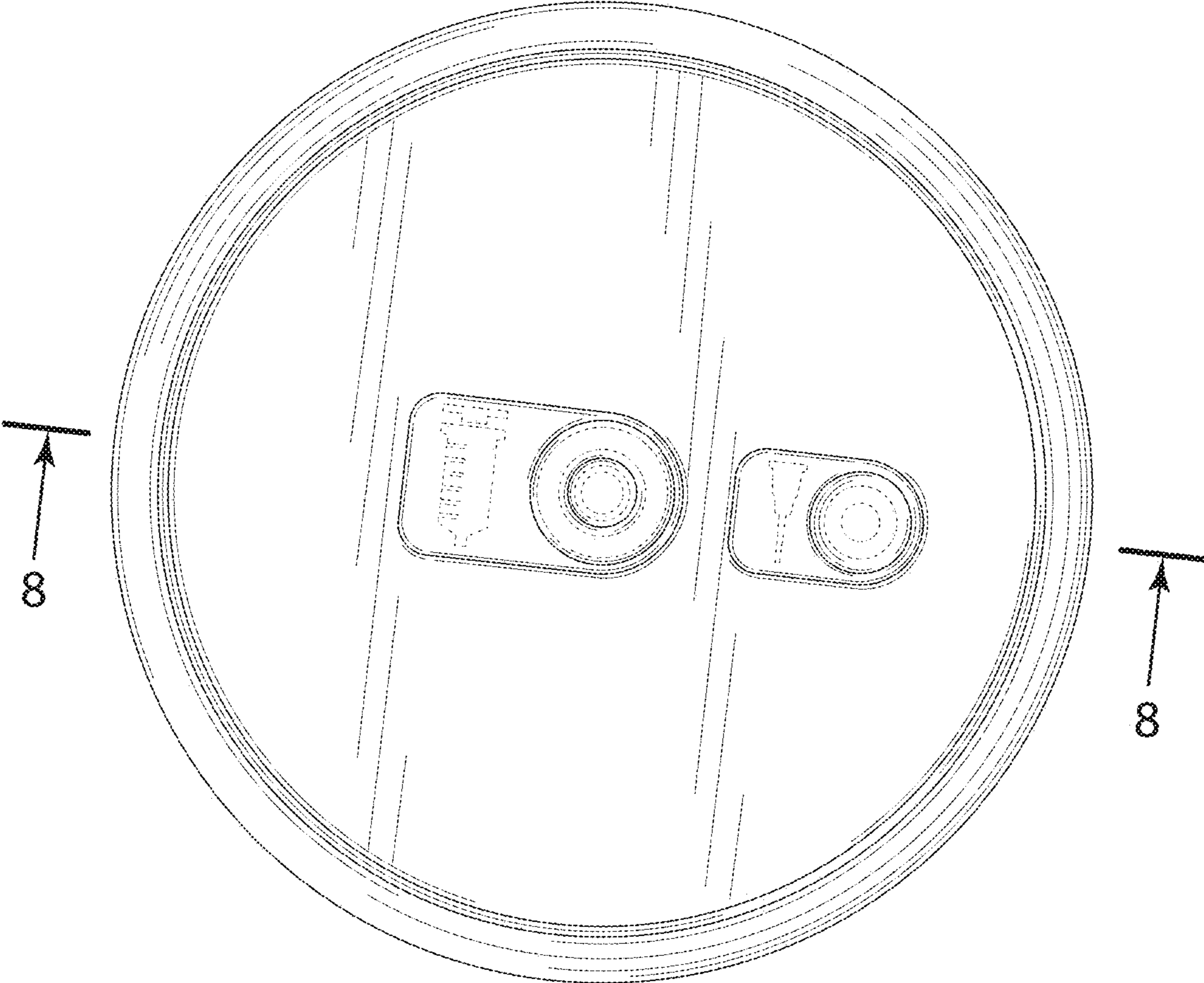


Fig. 6

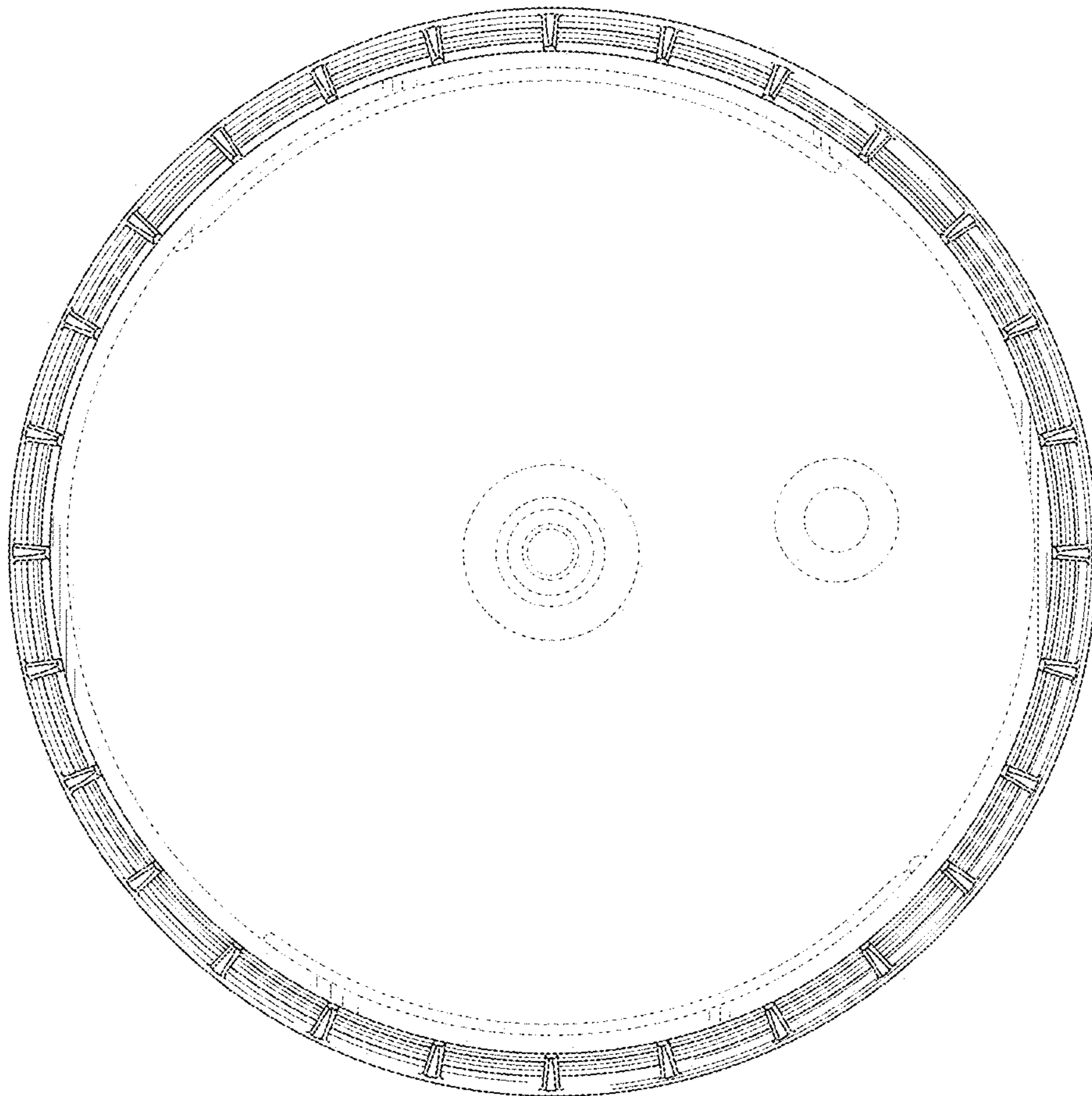


Fig. 7



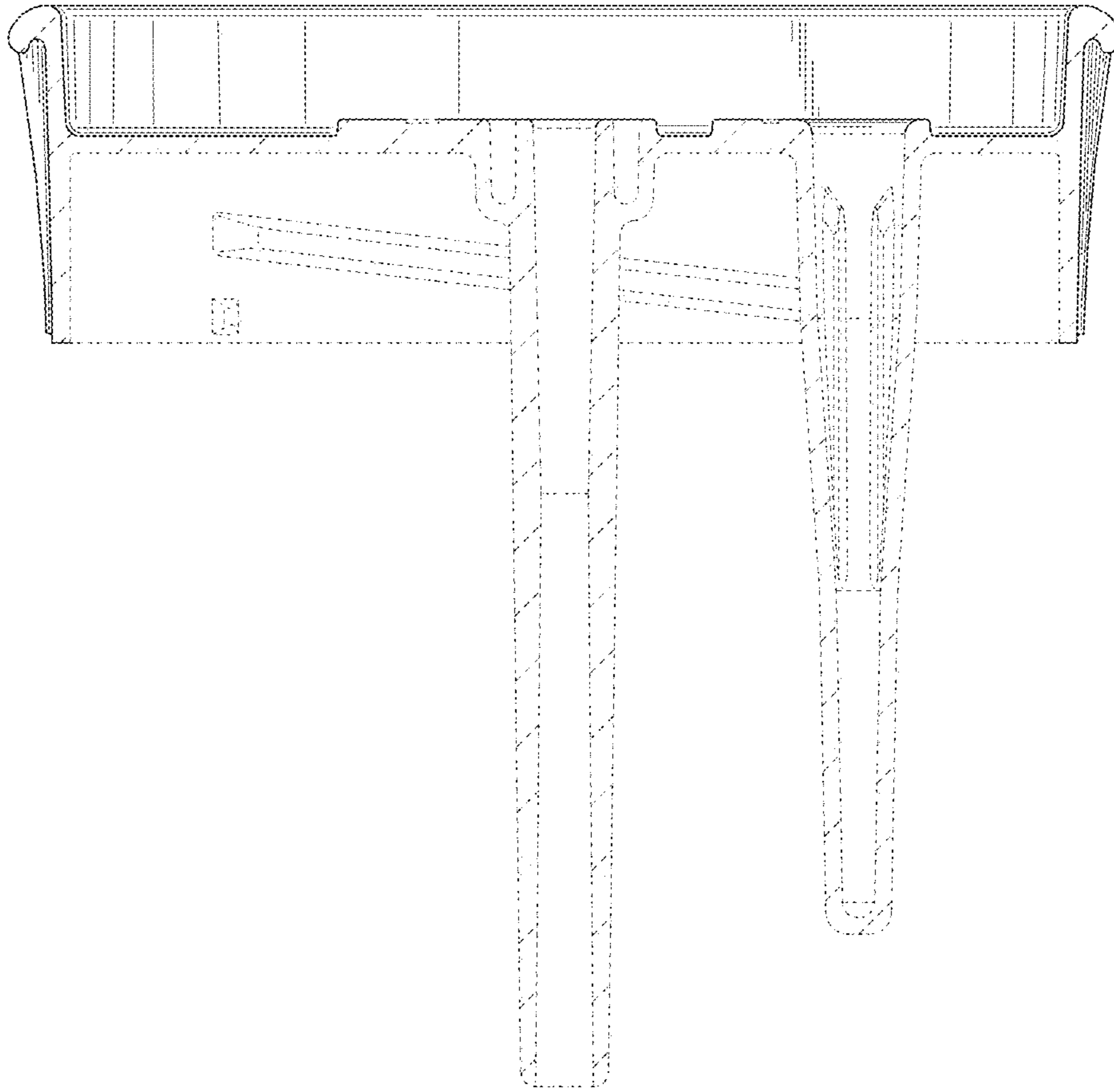


Fig. 8