



US00D919111S

(12) **United States Design Patent** (10) **Patent No.:** **US D919,111 S**  
**Cullimore** (45) **Date of Patent:** **\*\* May 11, 2021**

(54) **MICROBIOLOGICALLY INTERACTIVE GROWTH PLATFORM**

D857,227 S \* 8/2019 Cullimore ..... D24/224  
D890,420 S \* 7/2020 Reaux ..... D27/184  
2016/0060677 A1\* 3/2016 Cullimore ..... C12Q 1/04  
435/287.1

(71) Applicant: **Droycon Bioconcepts Inc.**, Regina (CA)

(72) Inventor: **D. Roy Cullimore**, Regina (CA)

(73) Assignee: **Droycon Bioconcepts Inc.**, Regina (CA)

(\*\*) Term: **15 Years**

(21) Appl. No.: **29/700,990**

(22) Filed: **Aug. 7, 2019**

(51) **LOC (13) Cl.** ..... **24-02**

(52) **U.S. Cl.**  
USPC ..... **D24/224**

(58) **Field of Classification Search**

USPC ..... D24/216, 223–227, 229–232; D3/203.1,  
D3/203.2; D10/78, 81; D21/725, 729;  
D32/40; D7/688

CPC .. B01L 3/50825; B01L 3/5085; B01L 3/0275;  
B01L 3/50255; C12M 23/08; B65B  
31/00; G01N 33/5304; G01N 35/1002;  
C12Q 1/04

See application file for complete search history.

(56) **References Cited**

**U.S. PATENT DOCUMENTS**

D316,125 S \* 4/1991 Poulakis ..... D21/731  
D642,845 S \* 8/2011 Farley ..... D6/596  
D726,331 S \* 4/2015 Cullimore ..... D24/232  
D758,608 S \* 6/2016 Behar ..... D24/223  
D784,550 S \* 4/2017 Cullimore ..... D24/224  
D832,455 S \* 10/2018 Cullimore ..... D24/224  
D845,505 S \* 4/2019 Cullimore ..... D24/224

**OTHER PUBLICATIONS**

Vintage Wood Baking/Oven Peel (Baker’s Shovel—Bread Paddle): Beautiful Hand-Crafted Wood—LSK. Online, published date unknown. Retrieved on Sep. 3, 2020 from URL: <https://www.varagesale.com/i/shgzz8zd-vintage-wood-baking-oven-peel-baker-s-shovel-bread-paddle-beautiful-hand-crafted-wood-lsk>.\*

Outdoor cooking utensils cooking paddle. Online, published date unknown. Retrieved on Sep. 3, 2020 from URL: <http://www.gdhandles.com/paddle-and-strainer-and-spoon/57673825.html>.\*

\* cited by examiner

*Primary Examiner* — Susan Bennett Hattan

*Assistant Examiner* — Omeed Agilee

(74) *Attorney, Agent, or Firm* — Walter A. Rodgers

(57) **CLAIM**

The ornamental design for a microbiologically interactive growth platform, as shown and described.

**DESCRIPTION**

FIG. 1 is a perspective view of a microbiologically interactive growth platform showing my new design;

FIG. 2 is a top plan view thereof;

FIG. 3 is a bottom plan view thereof;

FIG. 4 is a front elevation view thereof, the rear being the same in appearance; and,

FIG. 5 is a right-side elevation view thereof, the left side being the same in appearance.

The broken lines in the drawings depict environmental subject matter and form no part of the claimed design.

**1 Claim, 3 Drawing Sheets**

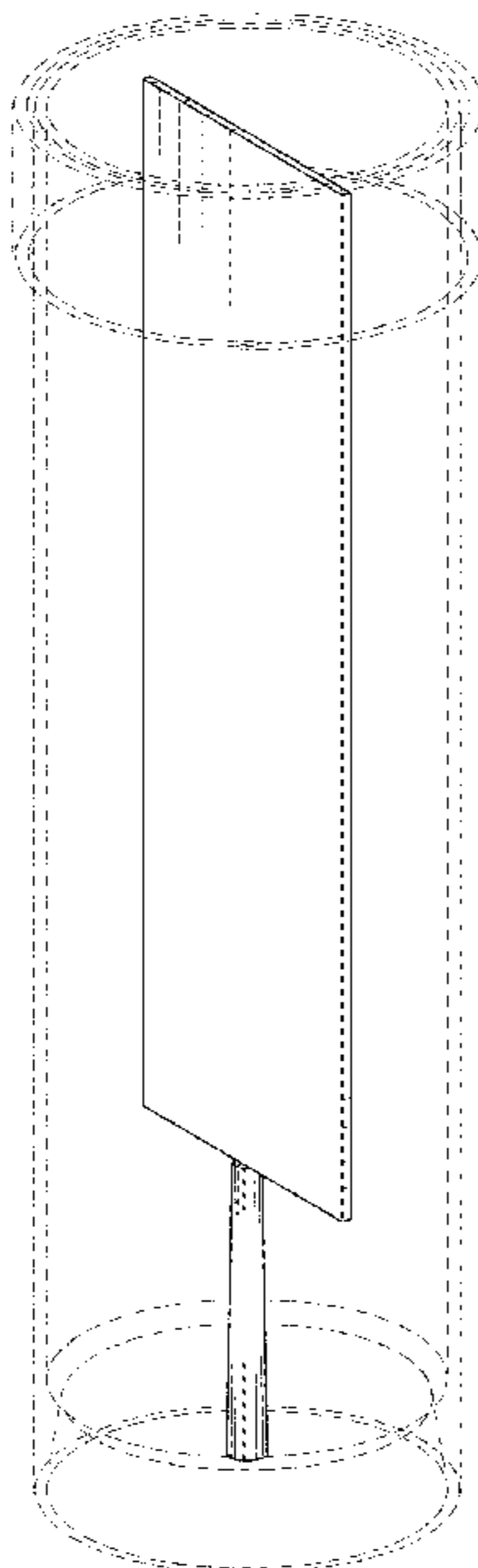


Fig 1

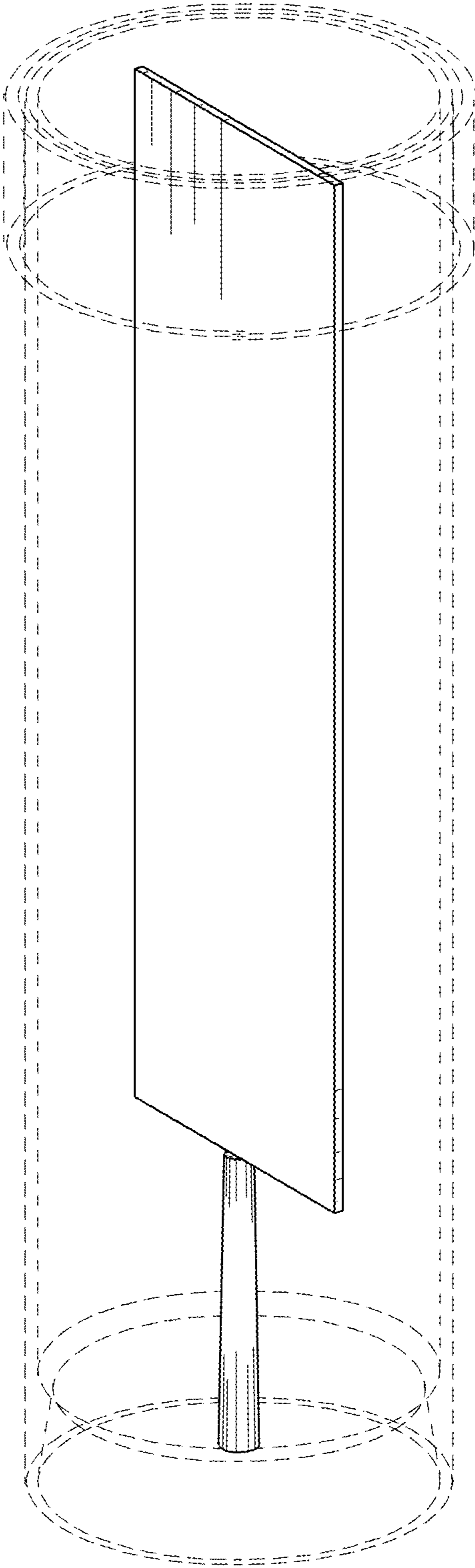


Fig 2

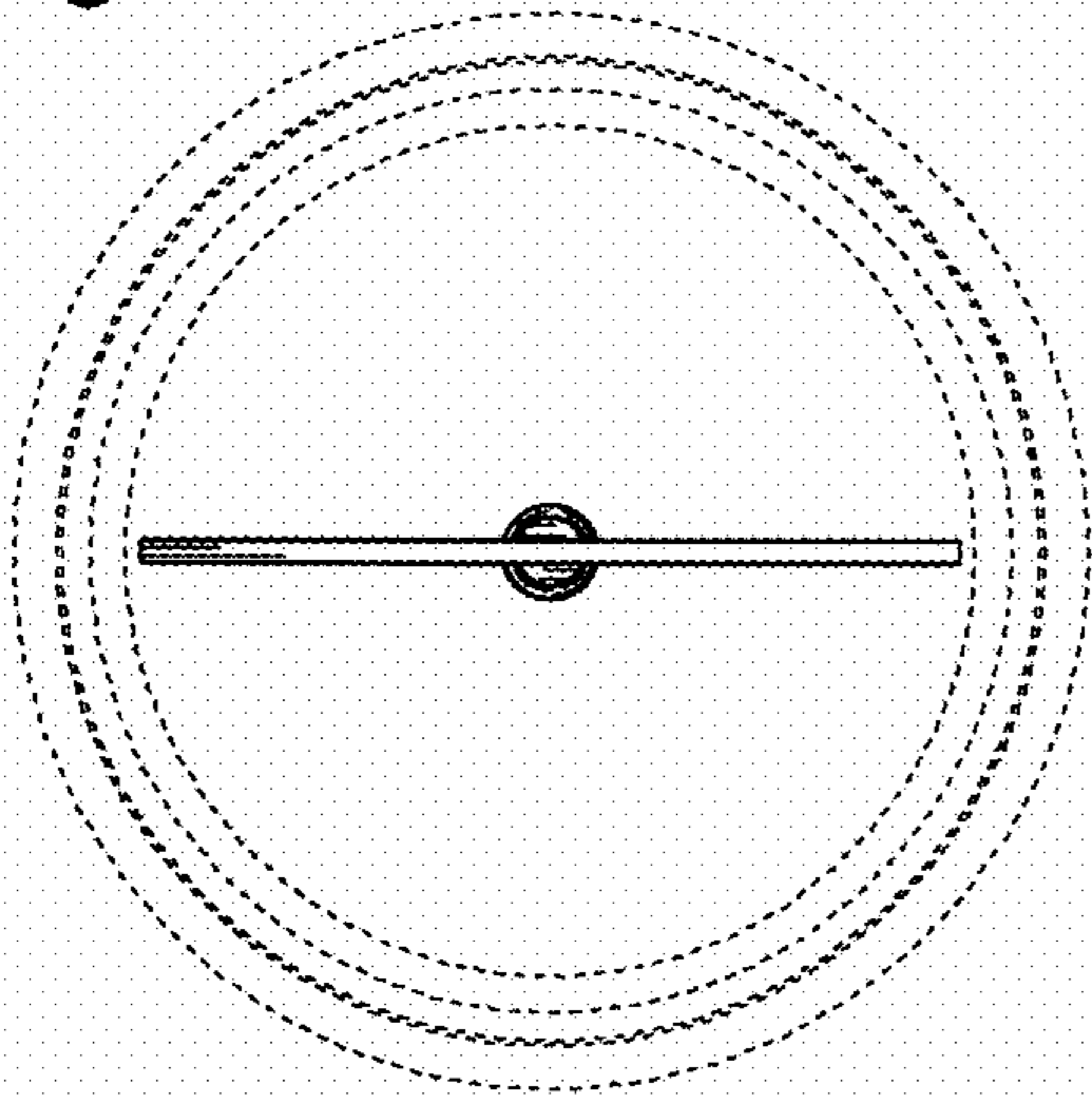


Fig 3

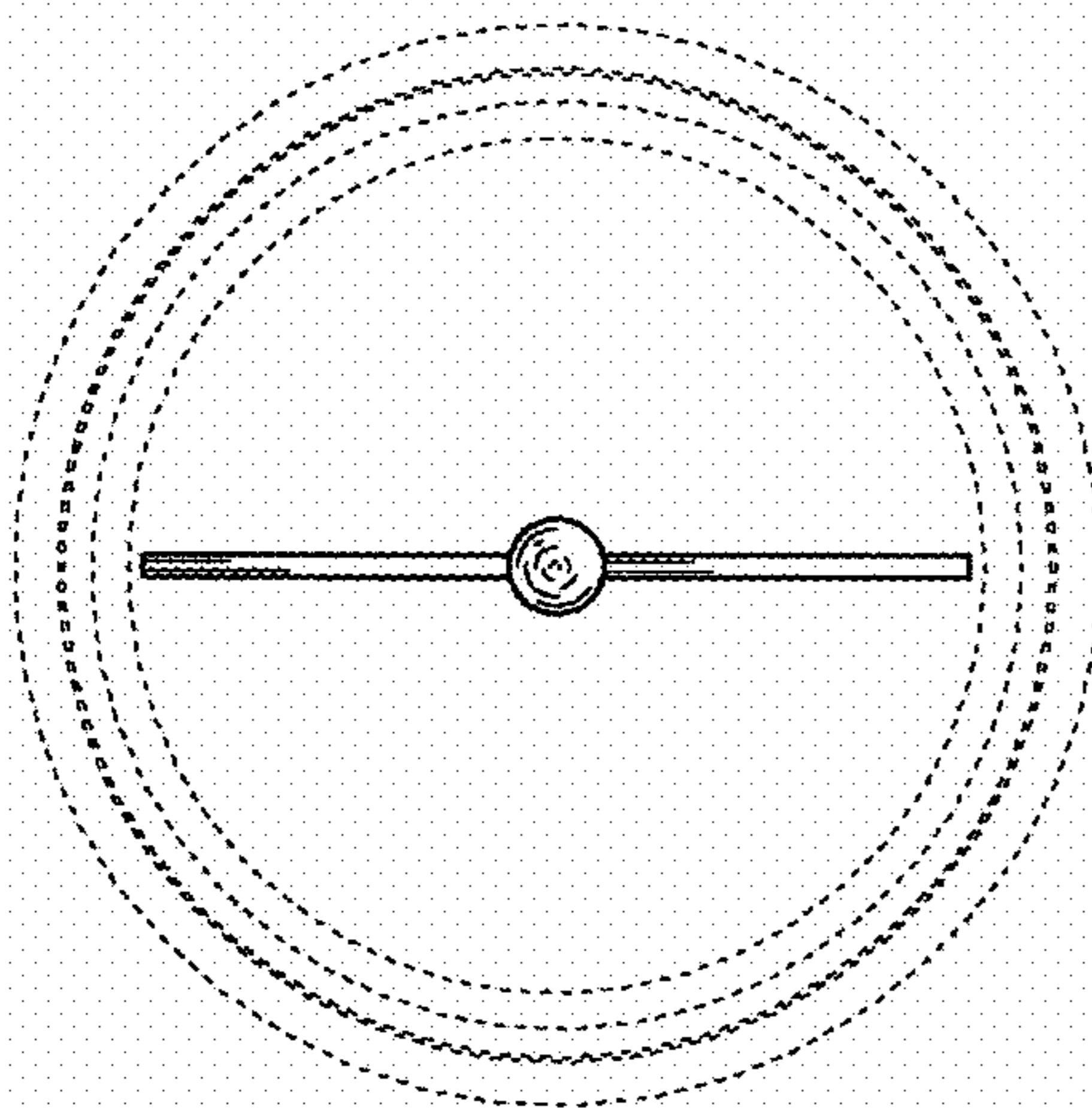


Fig 4

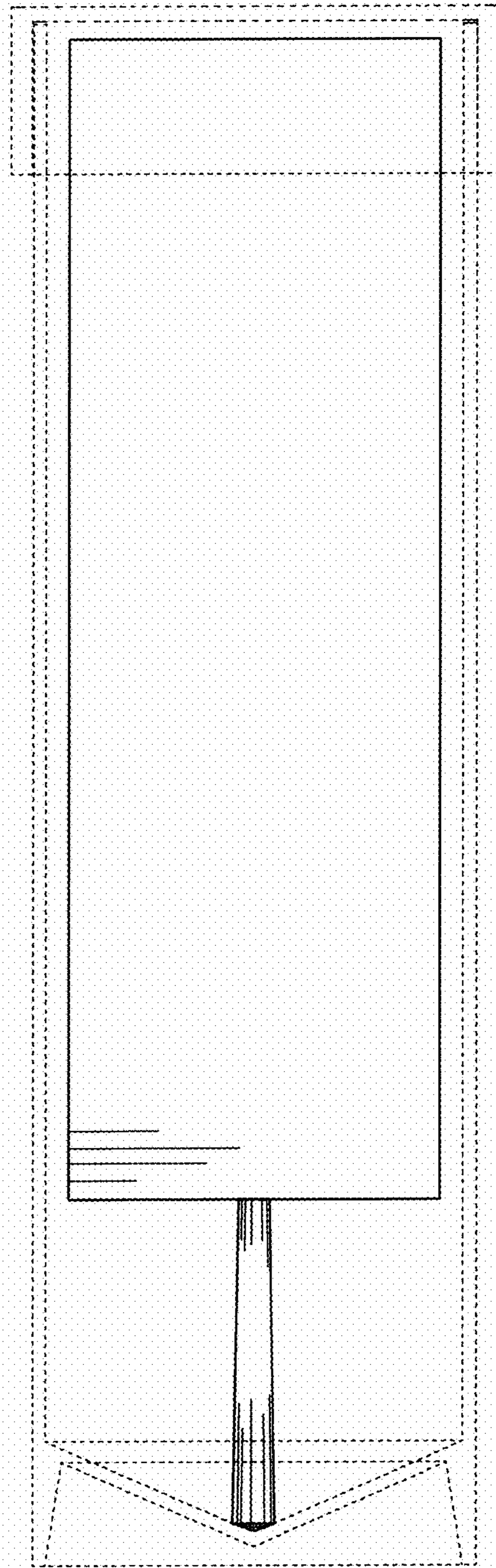


Fig 5

