



US00D919110S

(12) **United States Design Patent** (10) **Patent No.:** **US D919,110 S**  
**Versteeg et al.** (45) **Date of Patent:** **\*\* May 11, 2021**

(54) **LABORATORY MIXER**

(71) Applicant: **Precision NanoSystems Inc.,**  
Vancouver (CA)  
(72) Inventors: **Benjamin Albert Versteeg,** Vancouver  
(CA); **Keara Marshall,** Vancouver  
(CA)  
(73) Assignee: **Precision NanoSystems Inc.,**  
Vancouver (CA)

(\*\*) Term: **15 Years**  
(21) Appl. No.: **29/701,252**  
(22) Filed: **Aug. 9, 2019**

(51) **LOC (13) Cl.** ..... **24-02**  
(52) **U.S. Cl.**

USPC ..... **D24/220**  
(58) **Field of Classification Search**

USPC ..... D03/201, 203.1, 203.2, 203.3;  
D07/300.1, 372, 376, 377, 378, 414, 591,  
D07/667, 679, 688; D24/100, 101, 102,  
D24/103, 104, 141, 163, 220, 221, 231,  
D24/232; D27/100, 101, 163, 164, 165,  
D27/166, 167, 168, 169, 194  
CPC .. A24B 9/00; A24B 13/00; A24D 1/00; A24D  
1/008; A24D 1/12; A24D 1/14; A24D  
1/22; A61B 17/8802; A61J 1/00; A61J  
1/03; A61K 2300/00; B01F 3/00; B01F  
3/08; B01F 3/0853; B01F 3/0865; B01F  
3/12; B01F 3/1221; B01F 3/18; B01F  
3/184; B01F 3/20; B01F 3/2071; B01F  
3/22; B01F 3/2276; B01F 7/00; B01F  
7/00008; B01F 7/002; B01F 7/0075;  
B01F 7/02; B01F 7/021; B01F 9/00;  
B01F 9/0001; B01F 13/0001; B01F  
13/00; B01F

(Continued)

(56) **References Cited**

**U.S. PATENT DOCUMENTS**

2,662,521 A \* 12/1953 Armstrong ..... A61G 11/00  
600/22  
3,084,492 A \* 4/1963 Dorsak ..... A61G 11/00  
95/273

(Continued)

**OTHER PUBLICATIONS**

T-Net, "Under the Radar: UBC Spin-off Company Precision  
Nanosystems", first available Nov. 2, 2015. (<https://www.bctech.com/news/2015/11/2/Under-the-Radar-UBC-Spin-off-Company-Precision-Nanosystems-Quietly-Raises-13.4-Million-in-Series-A-Financing.cfm>) (Year: 2015).\*

(Continued)

*Primary Examiner* — April Rivas  
*Assistant Examiner* — Justin A Johnson  
(74) *Attorney, Agent, or Firm* — Susan M. Tees

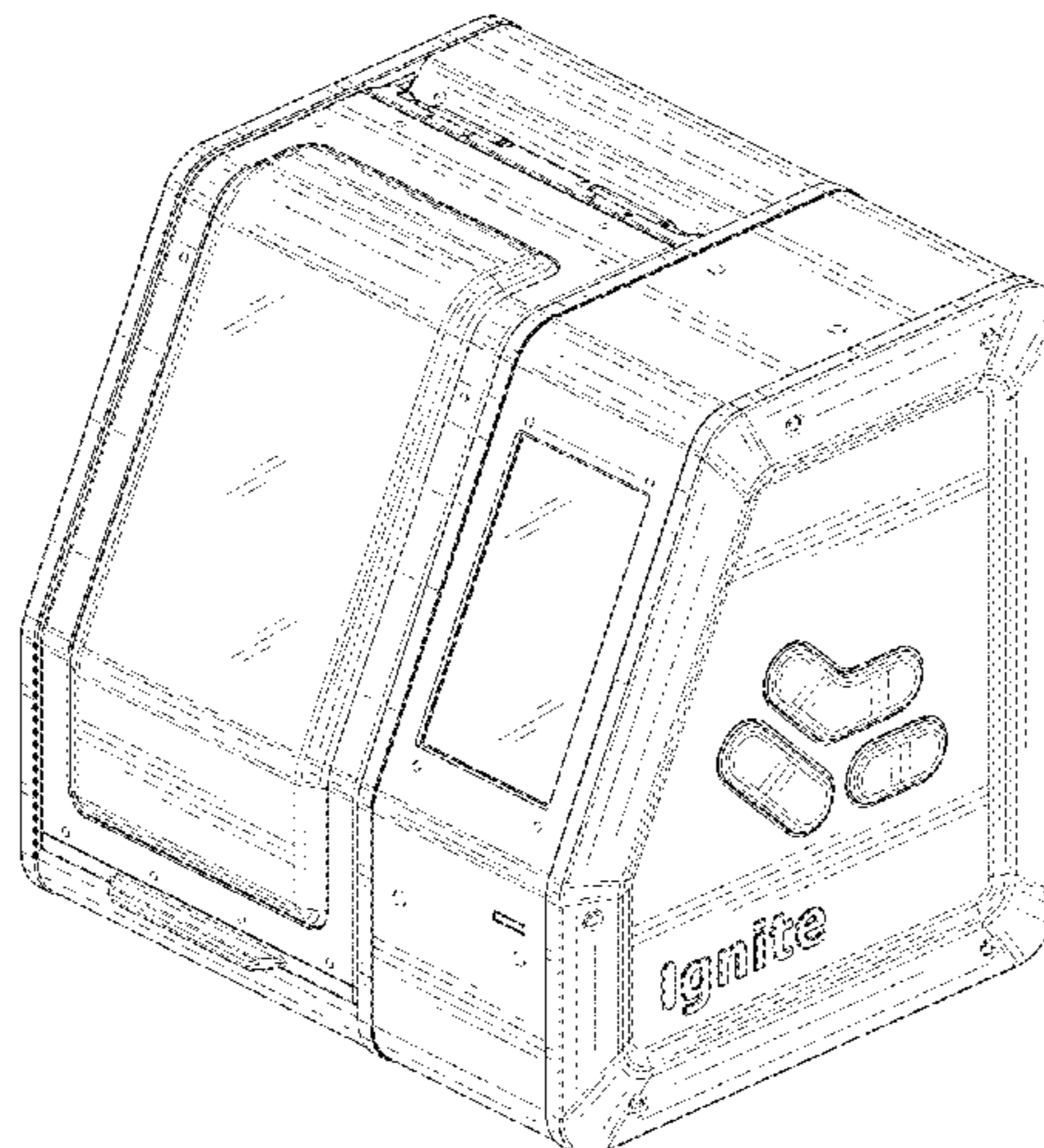
(57) **CLAIM**

The ornamental design for a laboratory mixer, as shown and  
described.

**DESCRIPTION**

FIG. 1 is a top front left perspective view of a laboratory  
mixer showing our new design;  
FIG. 2 is a rear bottom right view thereof;  
FIG. 3 is a front elevation view thereof;  
FIG. 4 is a rear elevation view thereof;  
FIG. 5 is a left side elevation view thereof;  
FIG. 6 is a bottom plan view thereof;  
FIG. 7 is a top front left perspective view of the design  
shown in an open configuration; and,  
FIG. 8 is a top front right perspective view thereof.  
The broken lines are included for the purpose of illustrating  
portions of the laboratory mixer that form no part of the  
claimed design.  
The logo in FIGS. 1, 2, 5, 7 and 8 forming part of the  
disclosure is an unregistered trademark of Precision Nano-  
Systems Inc, of 655 West Kent Avenue N, Suite 50, Van-  
couver, Canada.

**1 Claim, 8 Drawing Sheets**



(58) **Field of Classification Search**

CPC ..... 2215/0029; B01F 2215/0032; B01F  
 2215/0034; B01F 2215/0036; B01F  
 2215/0037; B01F 2215/0045; B01F  
 2215/0049; B28C 5/0081

See application file for complete search history.

D386,504 S \* 11/1997 Dieck ..... D15/124  
 6,290,581 B1 \* 9/2001 Dieck ..... B24B 3/42  
 451/141  
 9,422,764 B2 \* 8/2016 Yuan ..... B01F 15/00779  
 D800,397 S \* 10/2017 Harripersad ..... B01F 15/00779  
 2009/0207690 A1 \* 8/2009 Curtis ..... B01F 9/003  
 366/198

(56)

**References Cited**

U.S. PATENT DOCUMENTS

3,381,414 A \* 5/1968 Brown ..... B25J 21/02  
 49/281  
 3,705,576 A \* 12/1972 Roth ..... A61G 11/00  
 600/22  
 D250,196 S \* 11/1978 Caccioli ..... D15/124  
 D272,088 S \* 1/1984 Simons ..... D24/220  
 D325,852 S \* 5/1992 Giannelli ..... D7/368  
 5,558,560 A \* 9/1996 Uchida ..... B23Q 1/4804  
 451/173

OTHER PUBLICATIONS

Amazon, "SoHome Lab Equipment Centrifuge", first available May 24, 2018. (<https://www.amazon.com/SoHome-Equipment-Centrifuge-Automatic-Alginate/dp/B07D9D4RGR>) (Year: 2018).\*

Youtube, "The Revolutionary Ignite", first available Oct. 15, 2019. (<https://www.youtube.com/watch?v=zDMo0dQ8NkA>) (Year: 2019).\*

The Lab World, "Lot#: 300—Flack Tex Speed Mixer", first available May 15, 2019. (<https://thelabworldgroup.hibid.com/lot/85052-166327-1390/flack-tex-speed-mixer/>) (Year: 2019).\*

\* cited by examiner

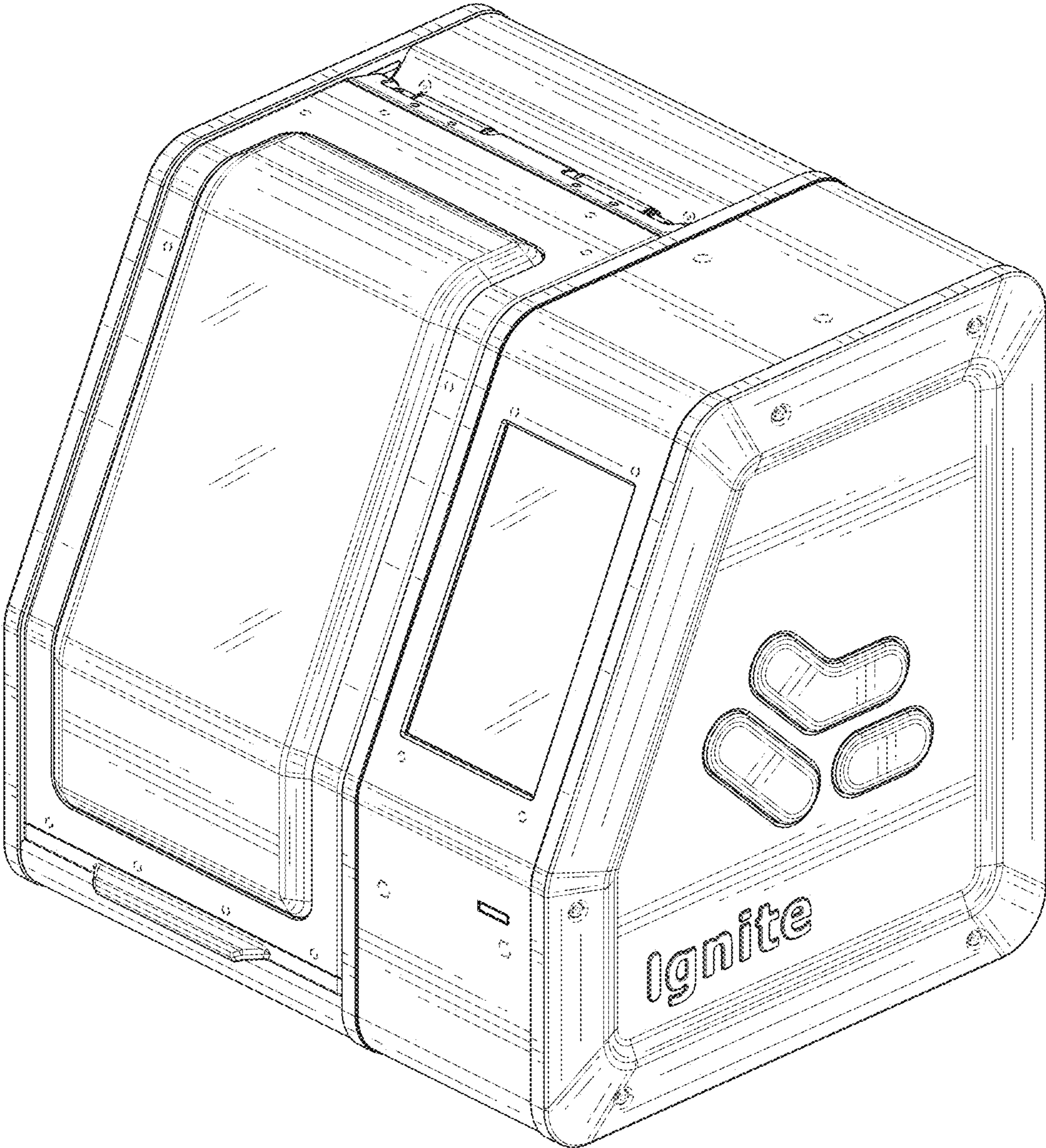


FIG. 1

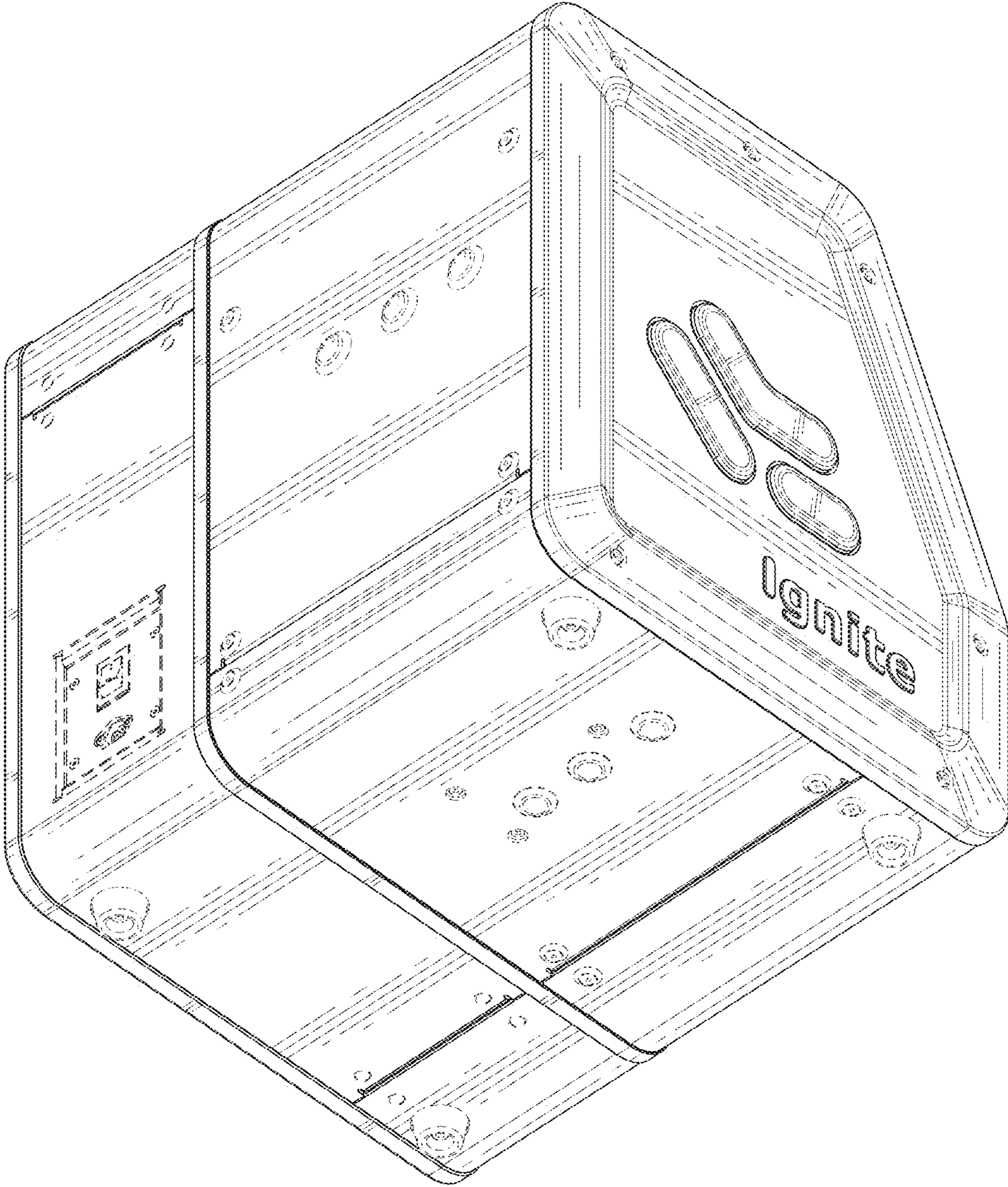


FIG. 2

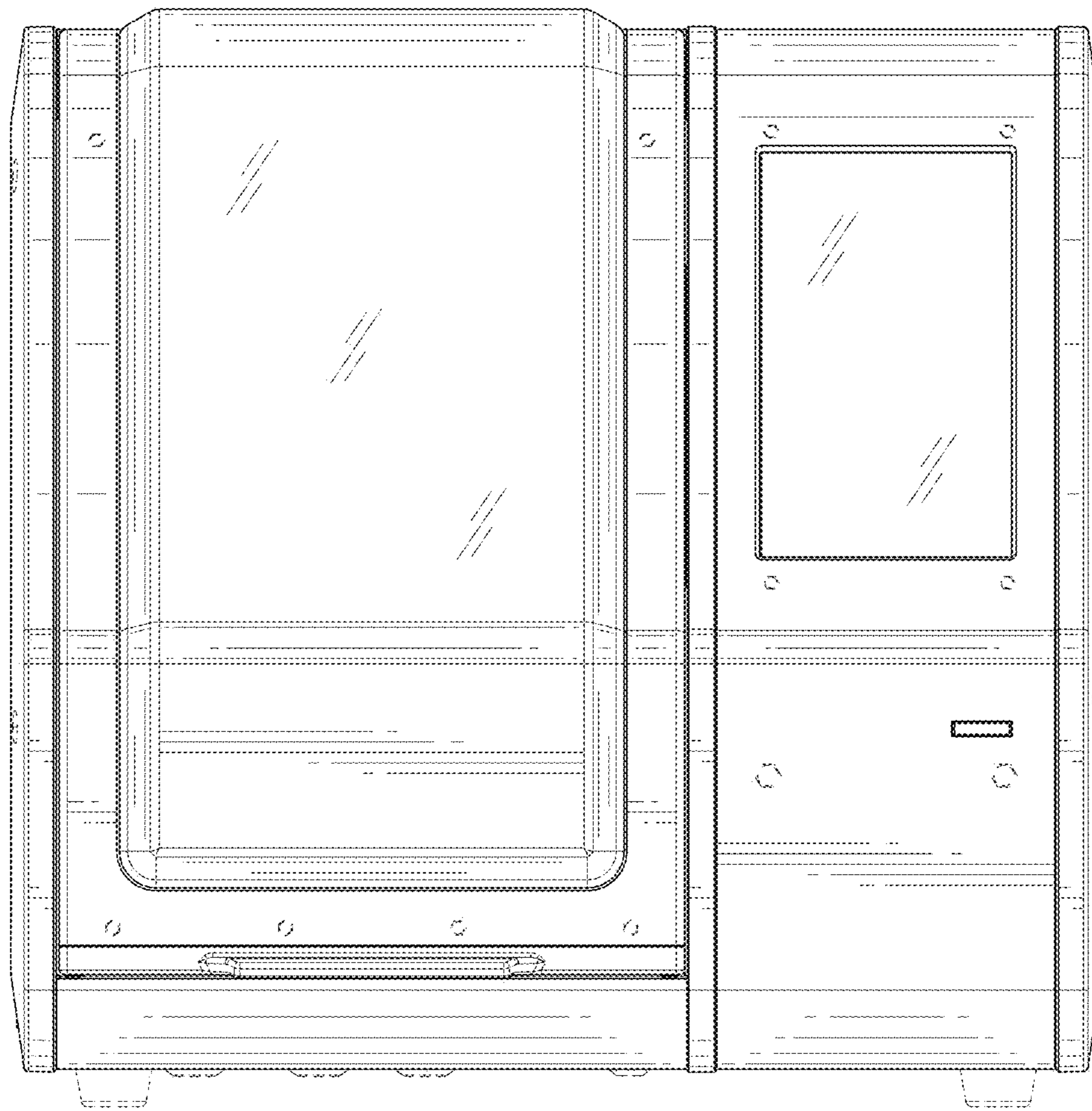


FIG. 3

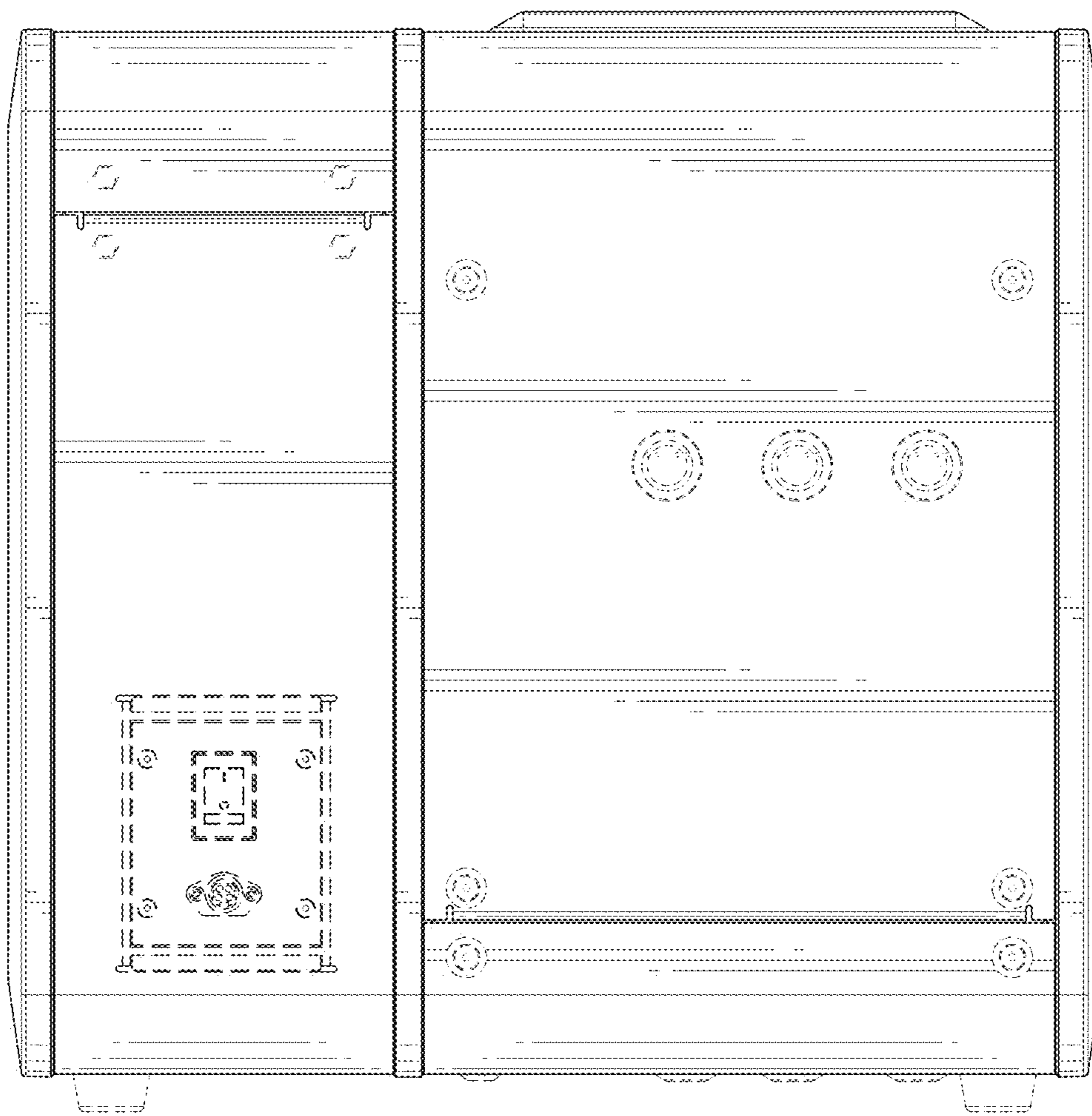


FIG. 4

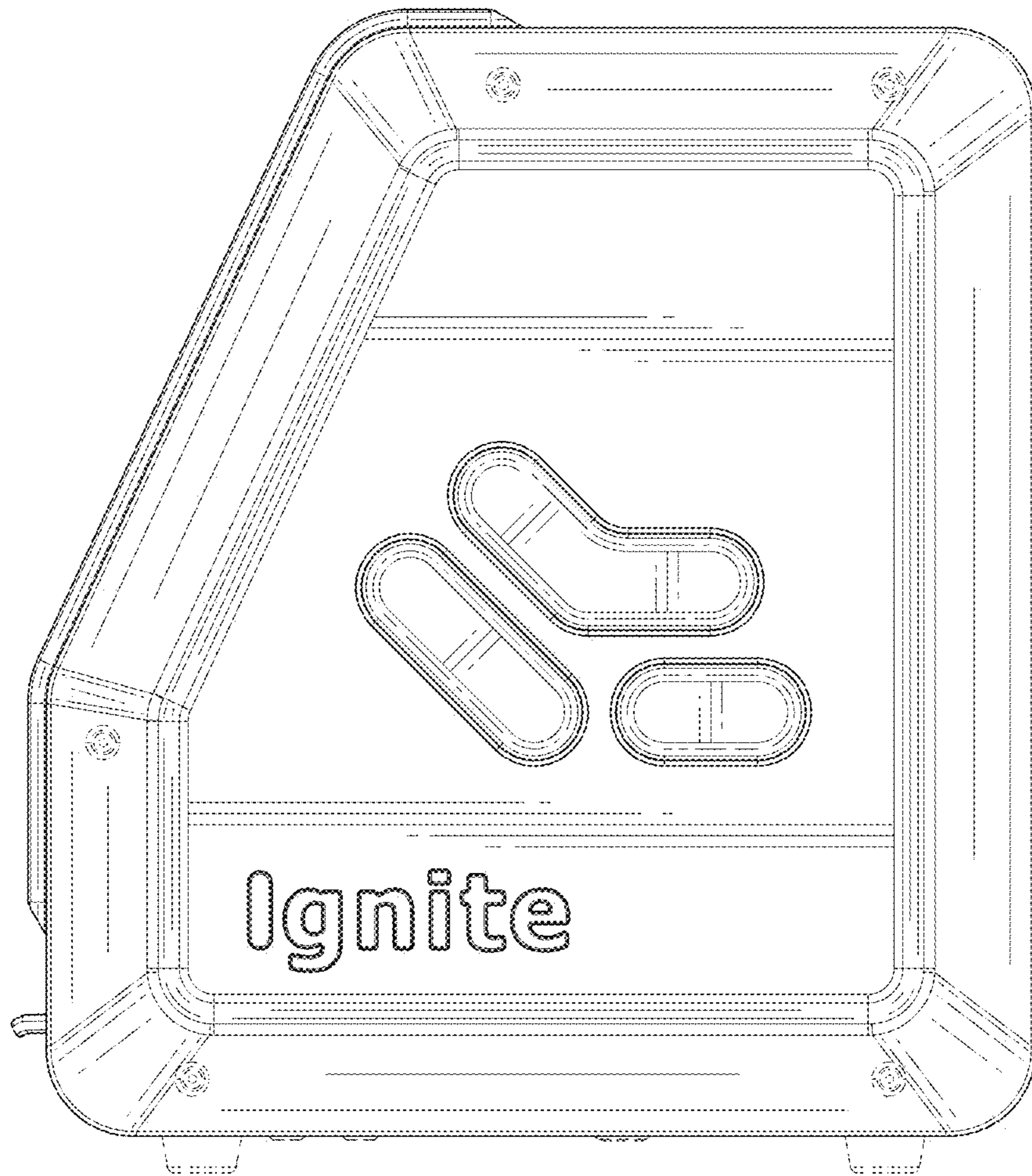


FIG. 5

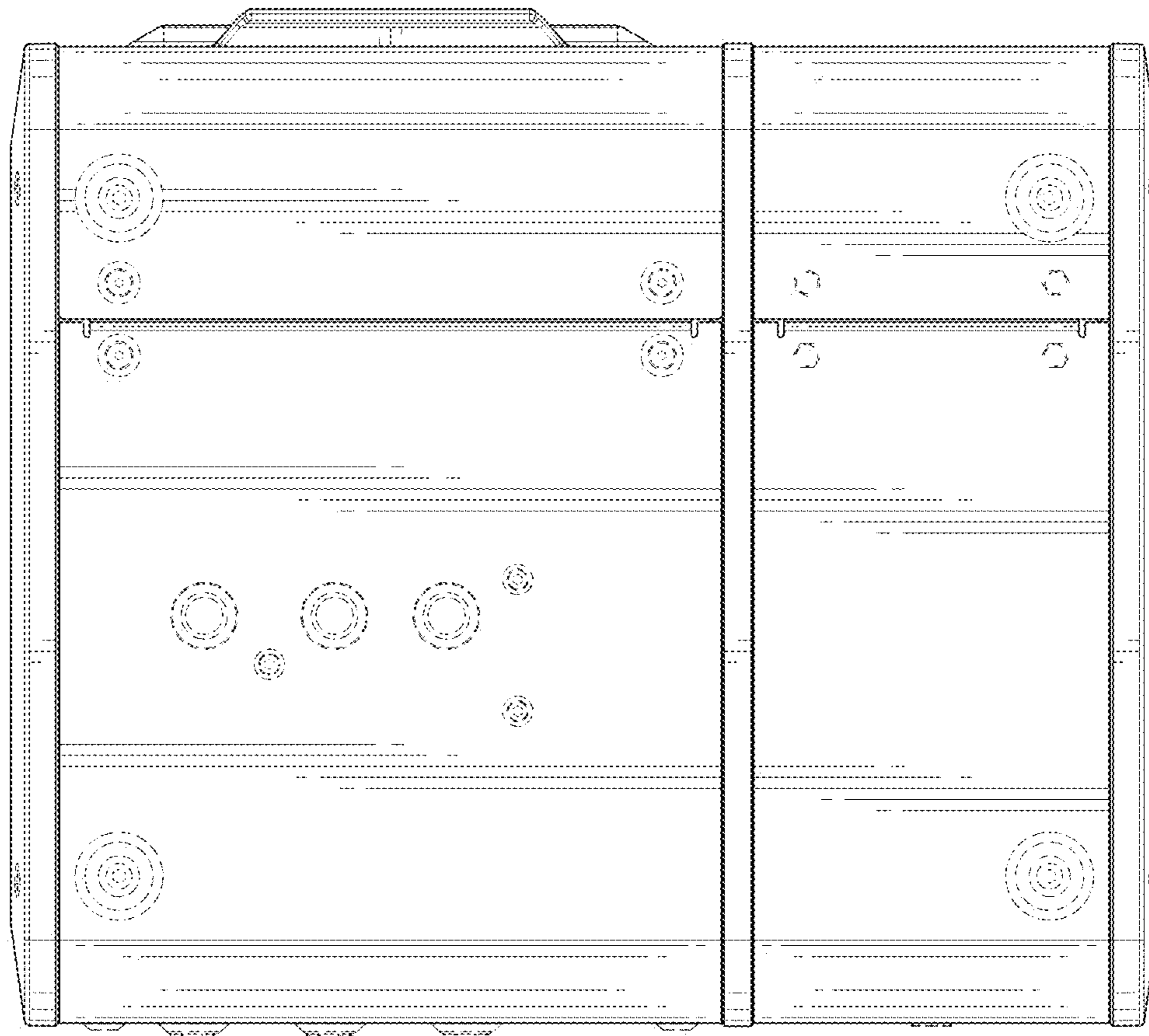


FIG. 6



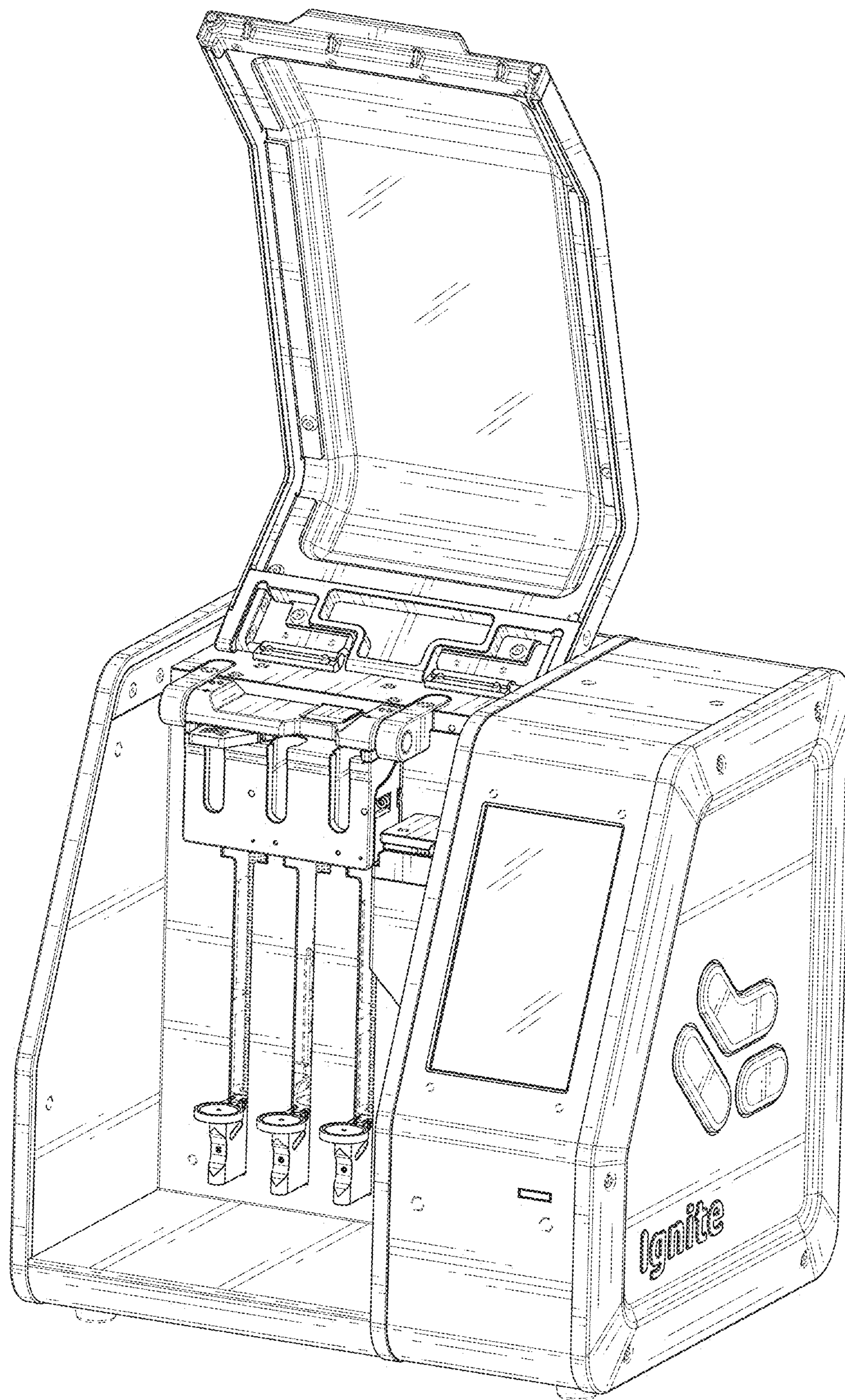


FIG. 7

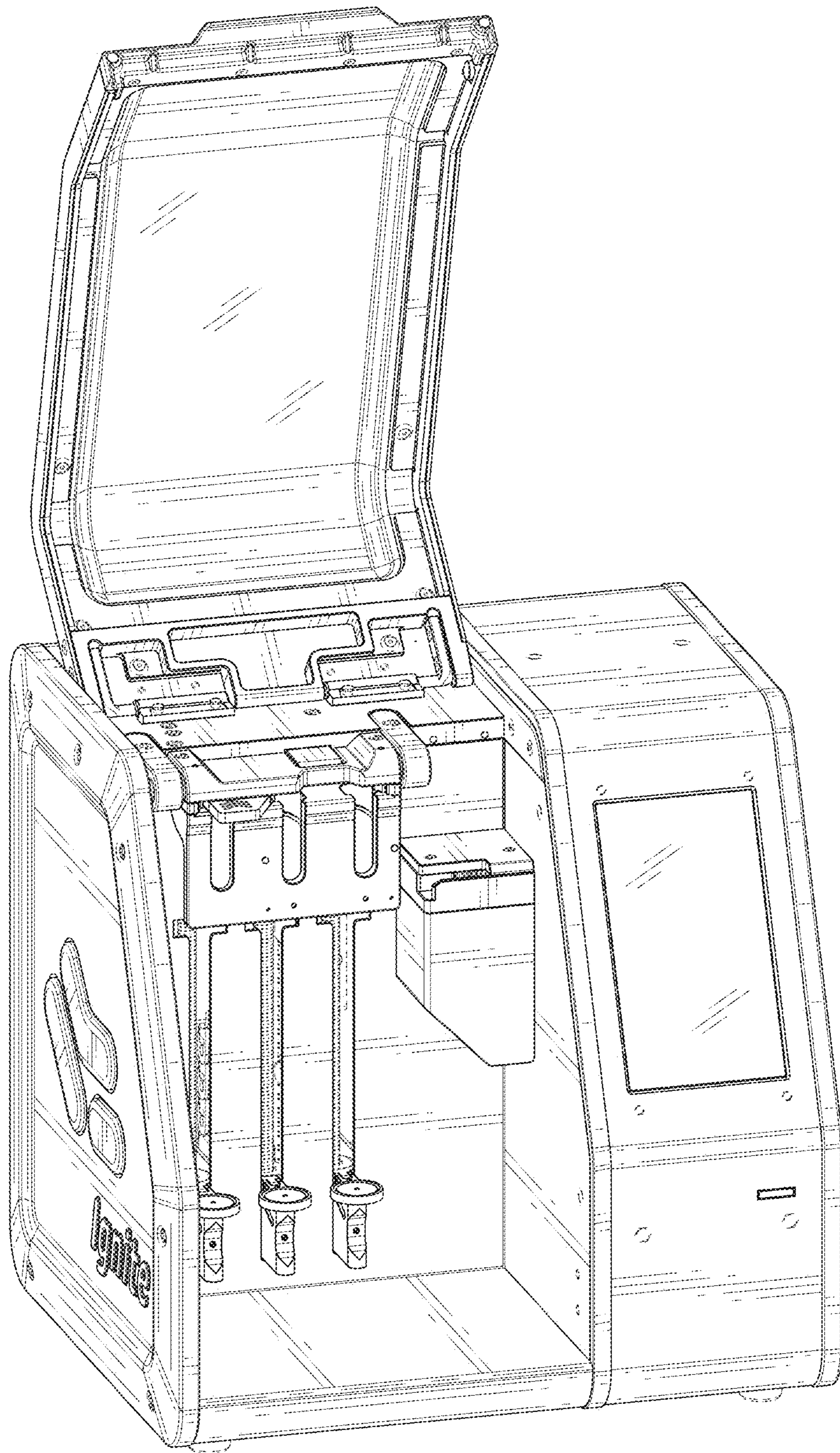


FIG. 8