



US00D919109S

(12) **United States Design Patent** (10) **Patent No.:** **US D919,109 S**
Ou Yang (45) **Date of Patent:** **** May 11, 2021**

(54) **UVC LED SEX TOYS STERILIZING BAG**

(71) Applicant: **SHENZHEN UVLED OPTICAL TECHNOLOGY CO., LTD.**, Guangdong (CN)

(72) Inventor: **Chen Yi Ou Yang**, Ningyuan County (CN)

(73) Assignee: **SHENZHEN UVLED OPTICAL TECHNOLOGY CO., LTD.**, Guangdong (CN)

(**) Term: **15 Years**

(21) Appl. No.: **29/684,305**

(22) Filed: **Mar. 20, 2019**

(30) **Foreign Application Priority Data**

Jan. 11, 2019 (CN) 201930016030.5

(51) **LOC (13) Cl.** **24-02**

(52) **U.S. Cl.**
USPC **D24/217**

(58) **Field of Classification Search**
USPC D24/107, 108, 110, 110.4–110.6, D24/111–115, 117–122, 123, 130, 133, D24/141, 152, 186, 215, 116, 216–219, D24/231, 232, 164; D28/7, 8; D7/667, D7/669, 700; D9/436, 439, 440, 447, D9/723, 435, 444, 521, 529, 549, 558, D9/574, 575, 686–694; D23/200; D3/201, 203.1–203.4, 232, 243, 244, 300
CPC A61F 9/0008; A61F 9/0026; A61F 2230/0091; A61F 2250/0004; B65D 47/18; B65D 83/30; B01L 3/0282; A61H 35/02; A61H 2201/0153; A61M 35/003; A61M 35/00; A61M 2210/0612; A61L 2/26; A61L 2/24; A61L 2/17; A61L 2/18; A61L 2/025; A61L 2202/122; A61L 2202/10; A61L 2202/11; A61L 2202/14; A61L 2202/23; A61L 2202/24; A61L 2202/182

See application file for complete search history.

(56) **References Cited**

U.S. PATENT DOCUMENTS

D122,865 S * 10/1940 Frisk D9/706
D387,555 S * 12/1997 Miller D3/232
D389,642 S * 1/1998 Nadel D3/254
D407,209 S * 3/1999 Brown D3/202
6,186,662 B1 * 2/2001 Jackson A45C 3/00
383/117
D447,625 S * 9/2001 Vazquez D3/233
(Continued)

OTHER PUBLICATIONS

B-Vibe Sterilizer Pouch, [site visited Sep. 8, 2020]. Available from Internet. URL: <https://www.yandy.com/b-vibe-sterilizer-pouch> (Year: 2020).*

Primary Examiner — T Chase Nelson

Assistant Examiner — Kelly L Gross

(74) *Attorney, Agent, or Firm* — Juan Carlos A. Marquez; Marquez IP Law Office, PLLC

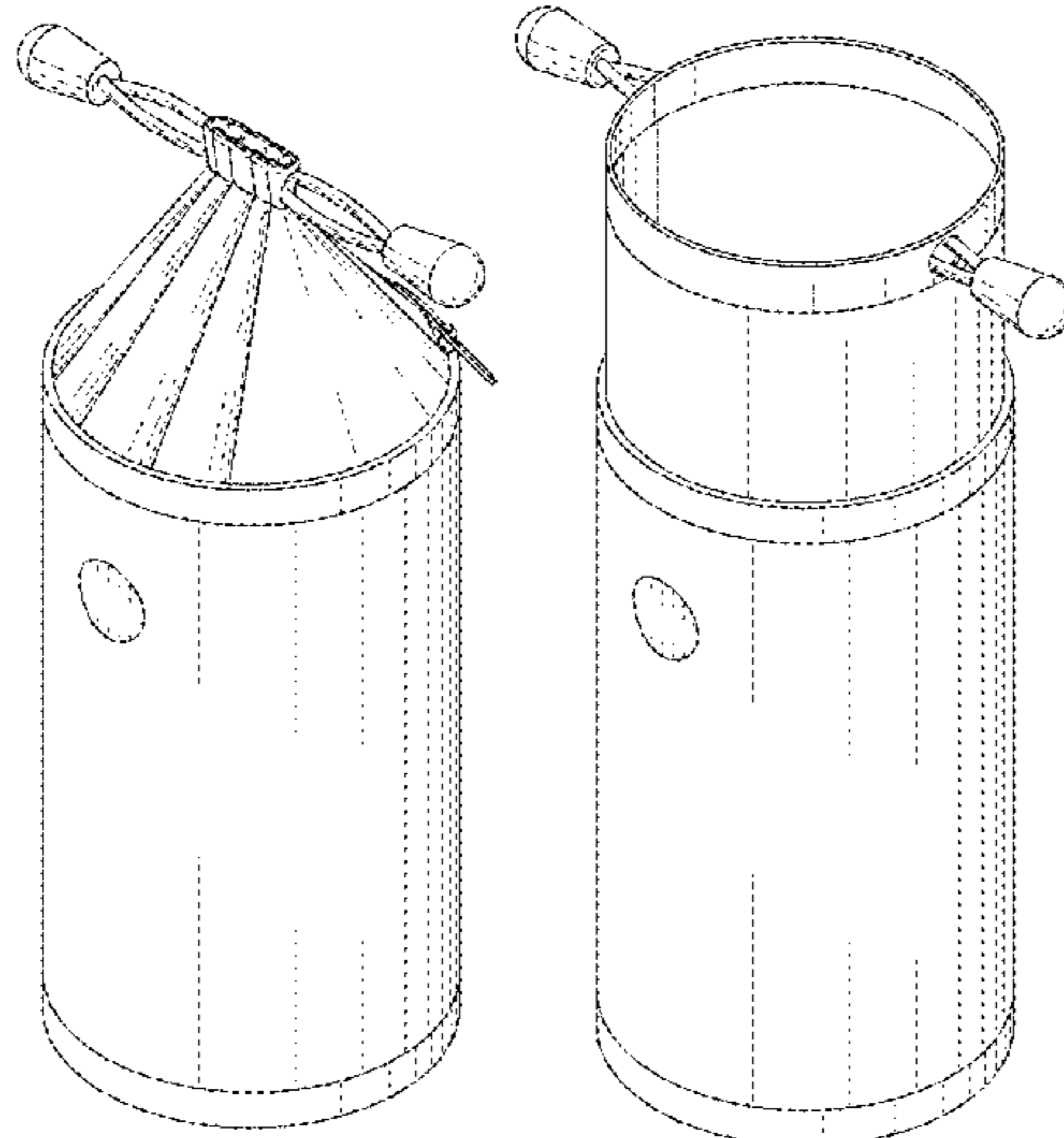
(57) **CLAIM**

The ornamental design for an UVC LED sex toys sterilizing bag, as shown and described.

DESCRIPTION

FIG. 1 is a perspective view of an UVC LED sex toys sterilizing bag, showing my new design;
FIG. 2 is a front view thereof;
FIG. 3 is a rear view thereof;
FIG. 4 is a left-side view thereof;
FIG. 5 is a right-side view thereof;
FIG. 6 is a top view thereof;
FIG. 7 is a bottom view thereof; and,
FIG. 8 is a perspective view thereof in use.
The broken lines in the drawings depict portions of the sterilizing bag that form no part of the claimed design.

1 Claim, 7 Drawing Sheets



(56)

References Cited

U.S. PATENT DOCUMENTS

D453,876 S * 2/2002 Moor D3/300
D472,047 S * 3/2003 Vazquez D3/244
D544,312 S * 6/2007 Dill-Schmidt D7/624.3
D571,102 S * 6/2008 Gostt D3/244
D582,729 S * 12/2008 Ross D7/603
D622,406 S * 8/2010 Russell, II D24/217
D622,504 S * 8/2010 Lion B31B 50/74
D622,859 S * 8/2010 Feller D24/217
D636,597 S * 4/2011 McCabe D3/267
D679,825 S * 4/2013 Elkerbout D24/217
D699,031 S * 2/2014 Clavette D3/216
D729,941 S * 5/2015 Hu D24/217
D732,821 S * 6/2015 Baron D3/244
D737,052 S * 8/2015 James D3/300
D759,327 S * 6/2016 Klar D32/36
D763,573 S * 8/2016 Klein D3/254
D773,253 S * 12/2016 Boroski D7/605
D783,471 S * 4/2017 Kalkstein D12/168
D807,524 S * 1/2018 Koh D24/217
D826,730 S * 8/2018 Hoffman, Jr. D9/707
D832,533 S * 10/2018 Yao D32/1
D850,030 S * 5/2019 Tian D32/1

D852,492 S * 7/2019 Anderson D3/217
D854,705 S * 7/2019 Ouyang D24/217
D868,992 S * 12/2019 Ma D24/217
D872,871 S * 1/2020 Roberts D24/217
D880,720 S * 4/2020 Ou Yang D24/217
D881,406 S * 4/2020 Kim D24/217
D883,657 S * 5/2020 Luo D3/216
D884,208 S * 5/2020 Xie D24/217
D884,918 S * 5/2020 Roberts D24/217
D889,681 S * 7/2020 Maw D24/217
D892,045 S * 8/2020 Zhang D13/108
D893,740 S * 8/2020 Lv D24/217
D895,136 S * 9/2020 Whitehead B31B 50/74
D898,891 S * 10/2020 Lee D24/217
D899,596 S * 10/2020 Papenbrock D23/366
D899,874 S * 10/2020 Lane D24/152
D900,333 S * 10/2020 Xie D7/629
D901,712 S * 10/2020 Xie D24/217
D901,713 S * 11/2020 Nicoll D24/217
D905,357 S * 11/2020 Nicoll D24/217
D907,742 S * 12/2020 Yao D32/1
2002/0113102 A1 * 8/2002 Camp D23/207
2002/0113102 A1 * 8/2002 Klamm A45C 7/0077
2005/0084182 A1 * 4/2005 Penson D06F 95/004
224/153
383/38

* cited by examiner

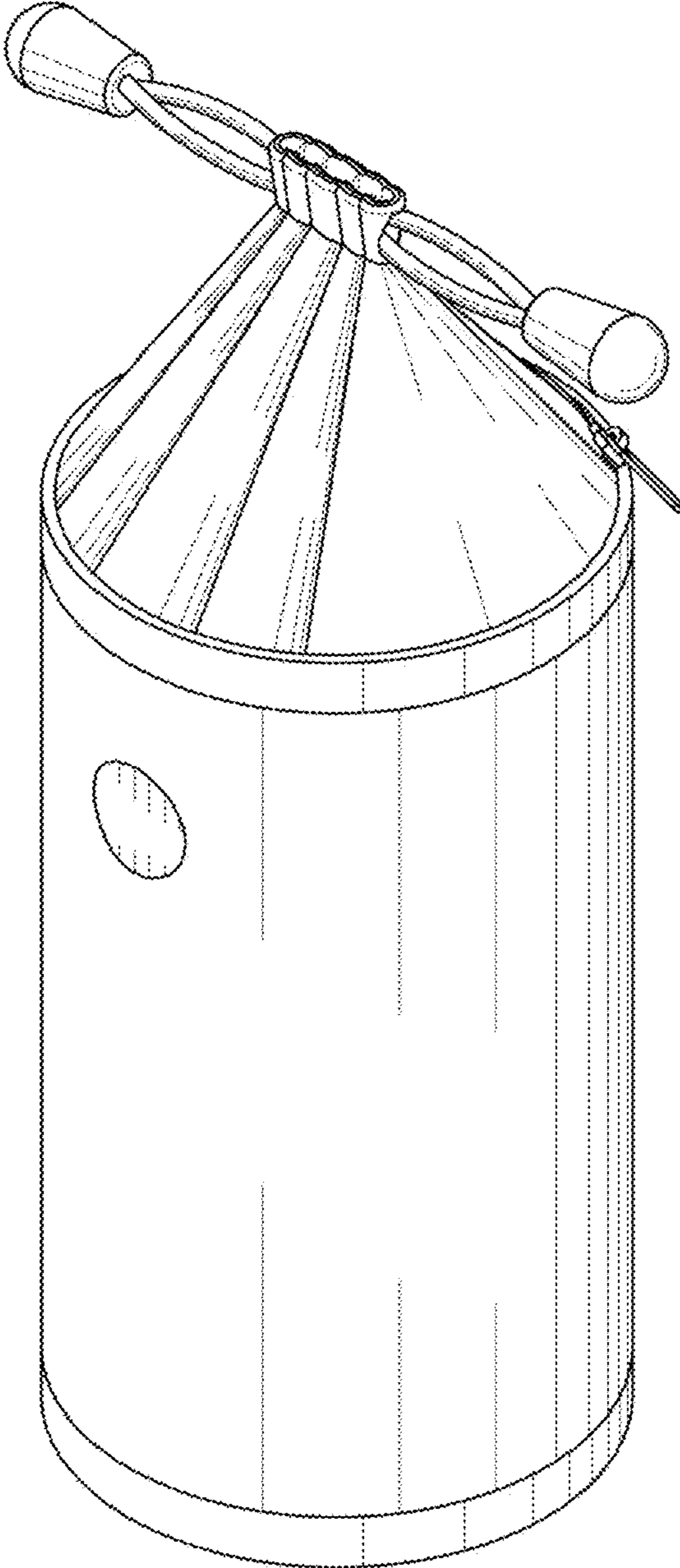


FIG. 1

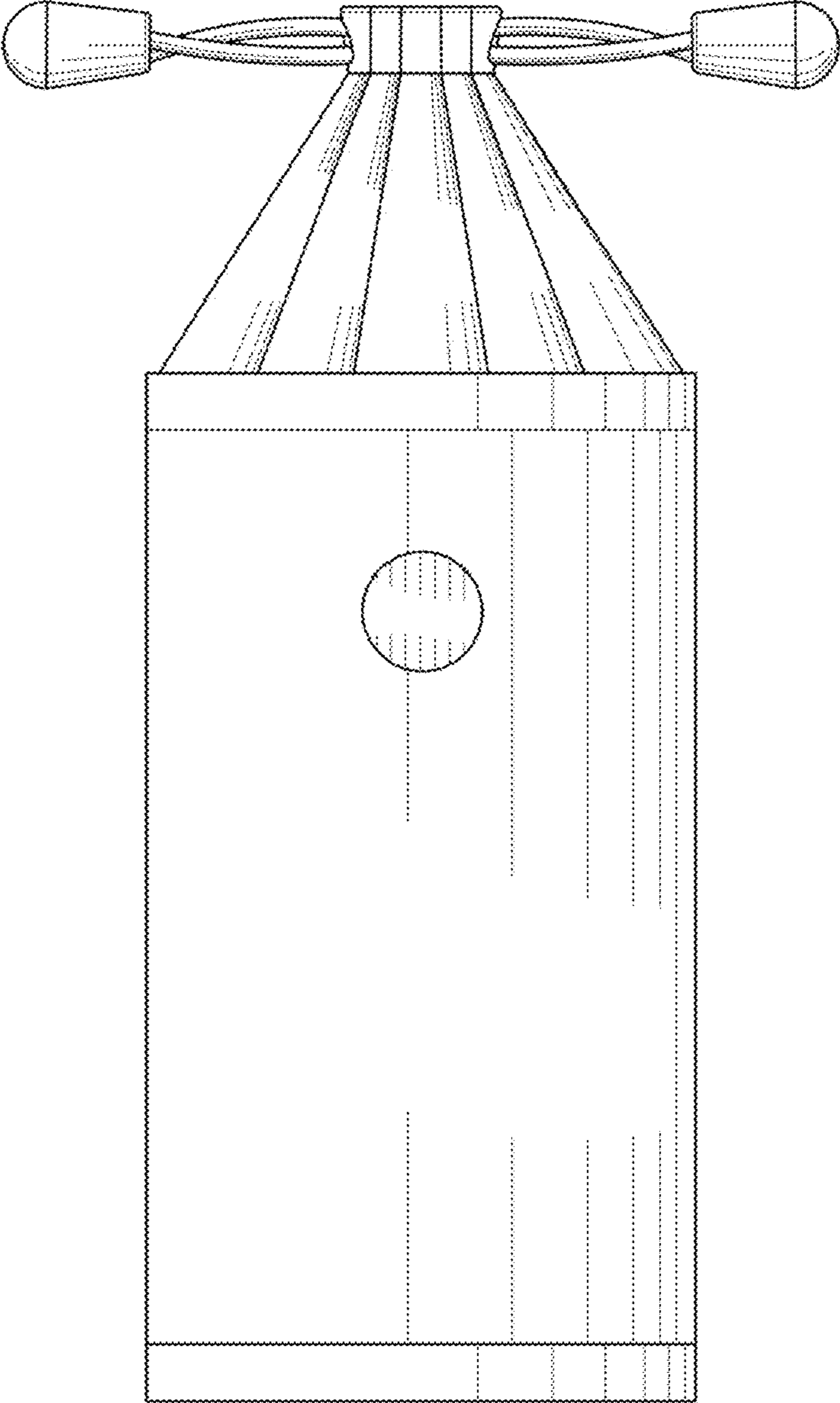


FIG. 2

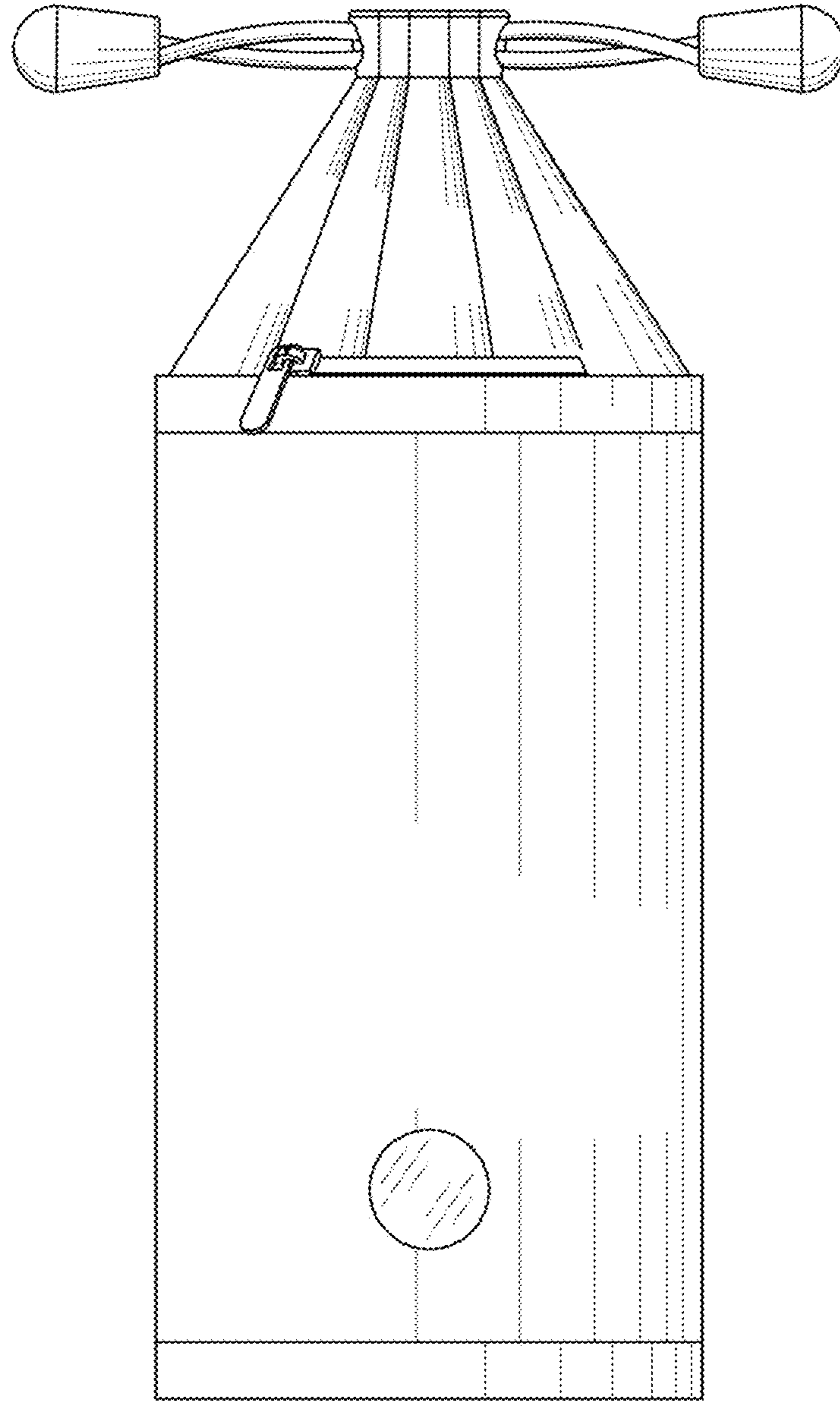


FIG. 3

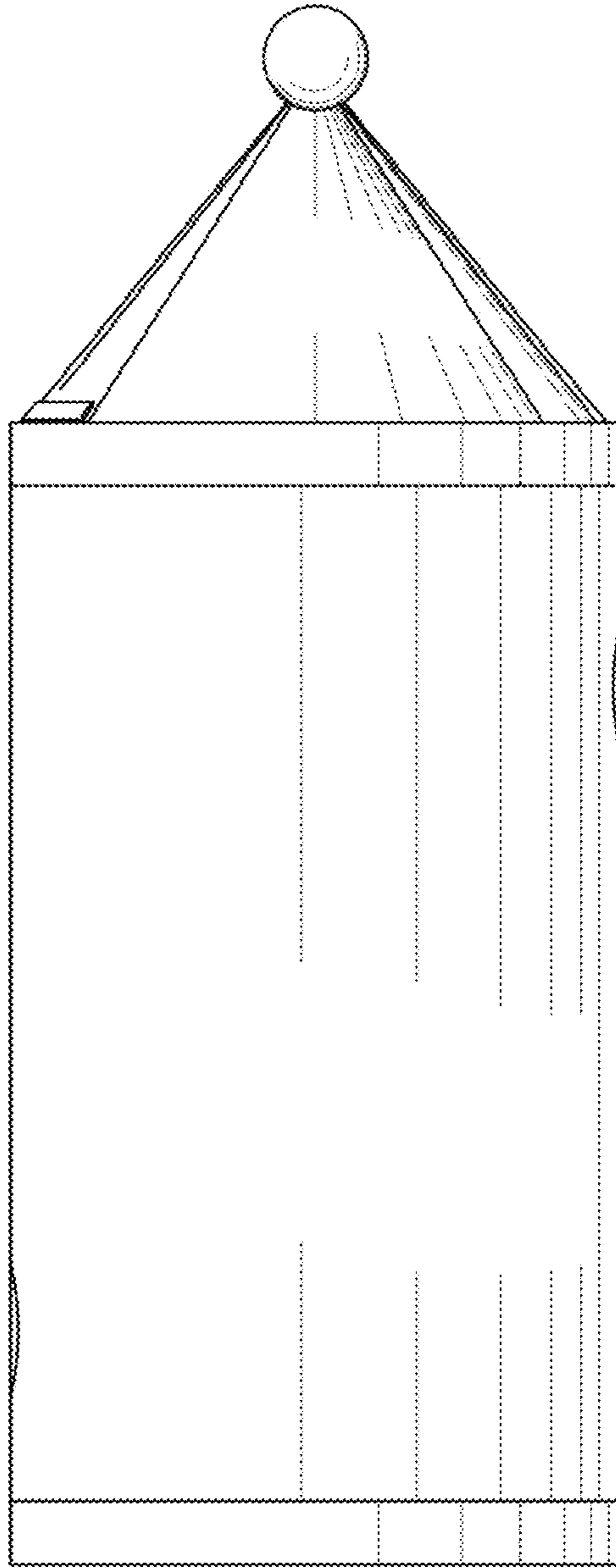


FIG. 4

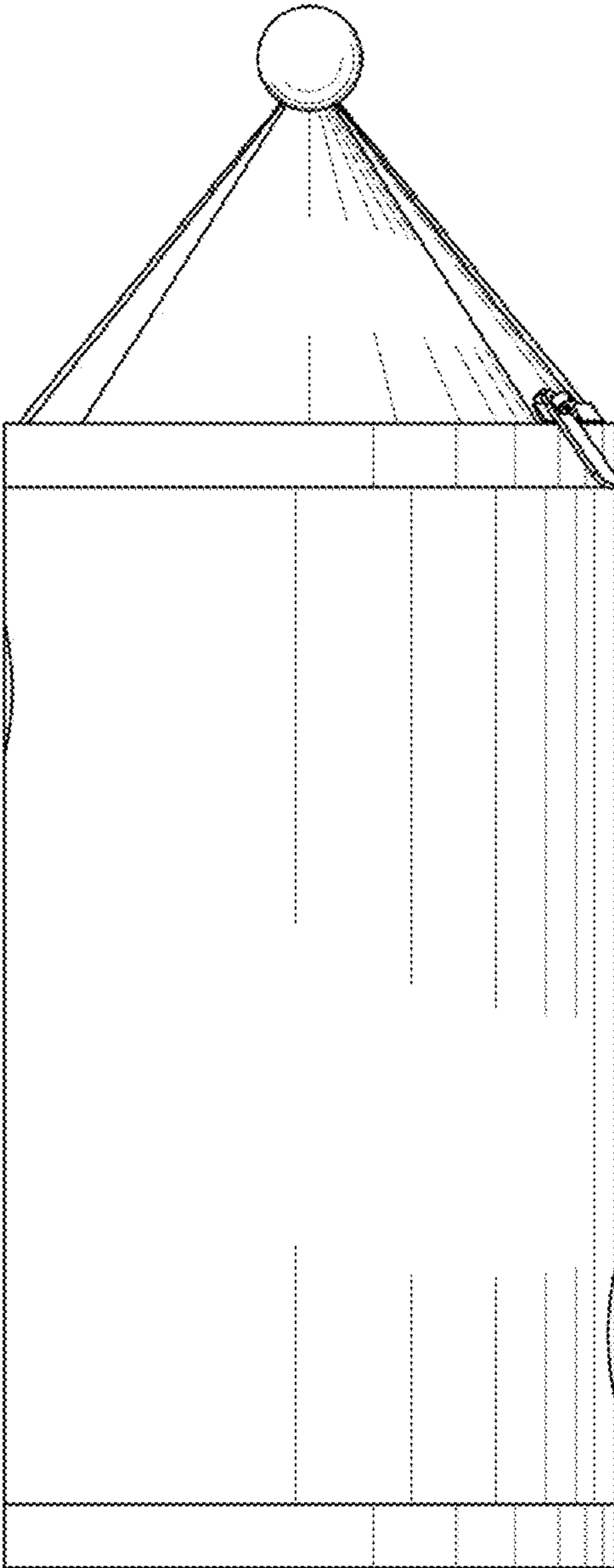


FIG. 5

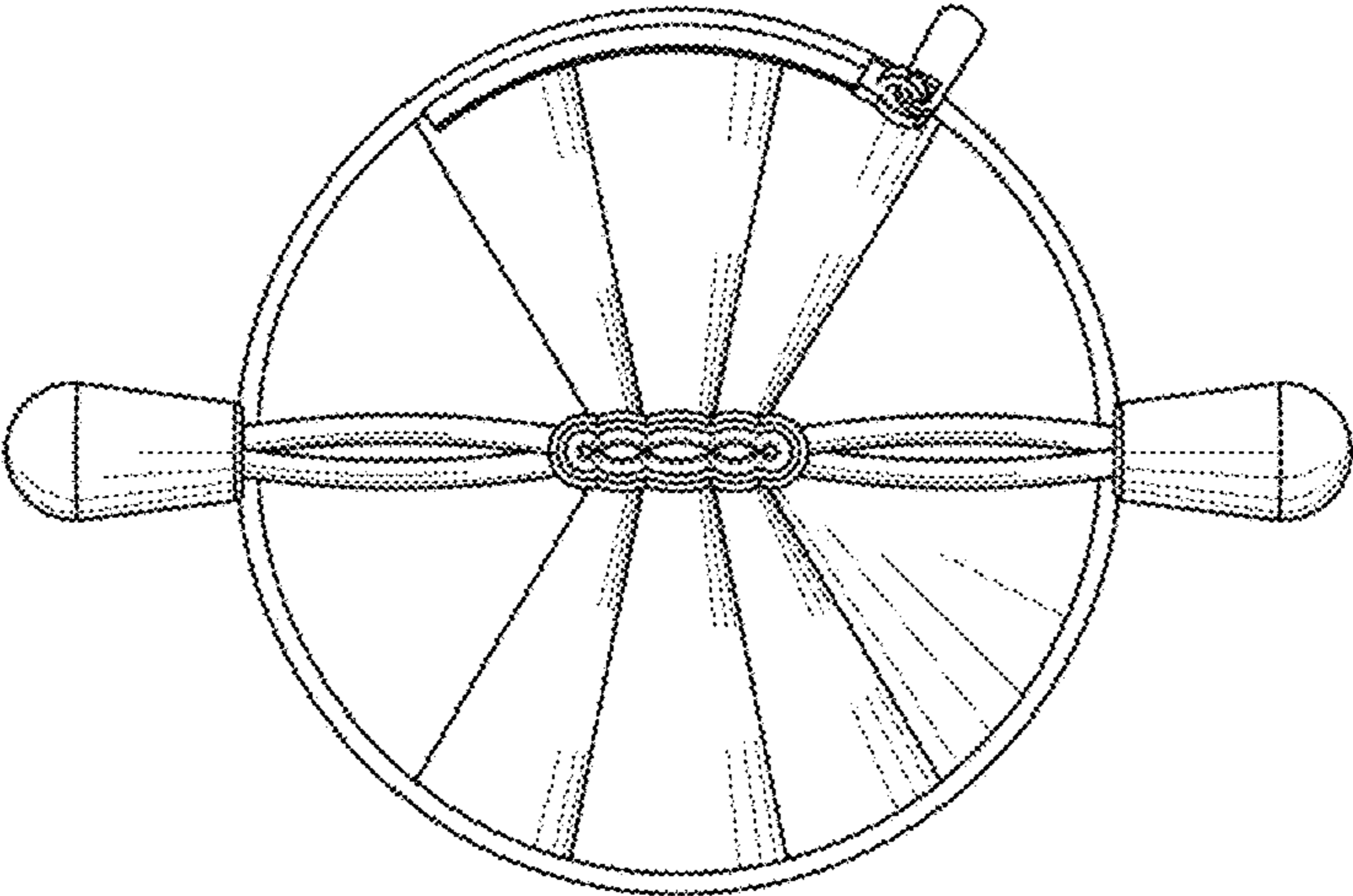


FIG. 6

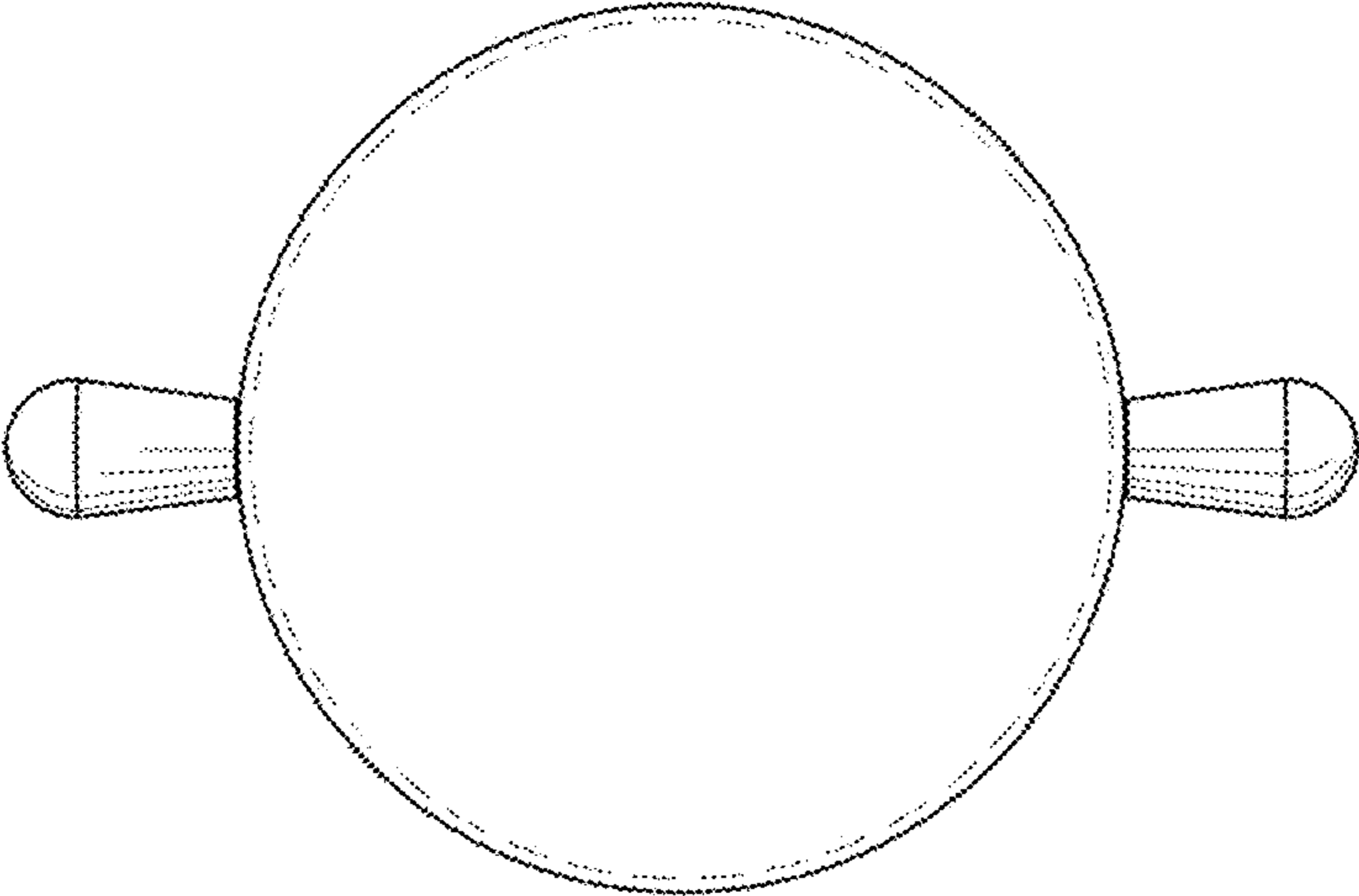


FIG. 7

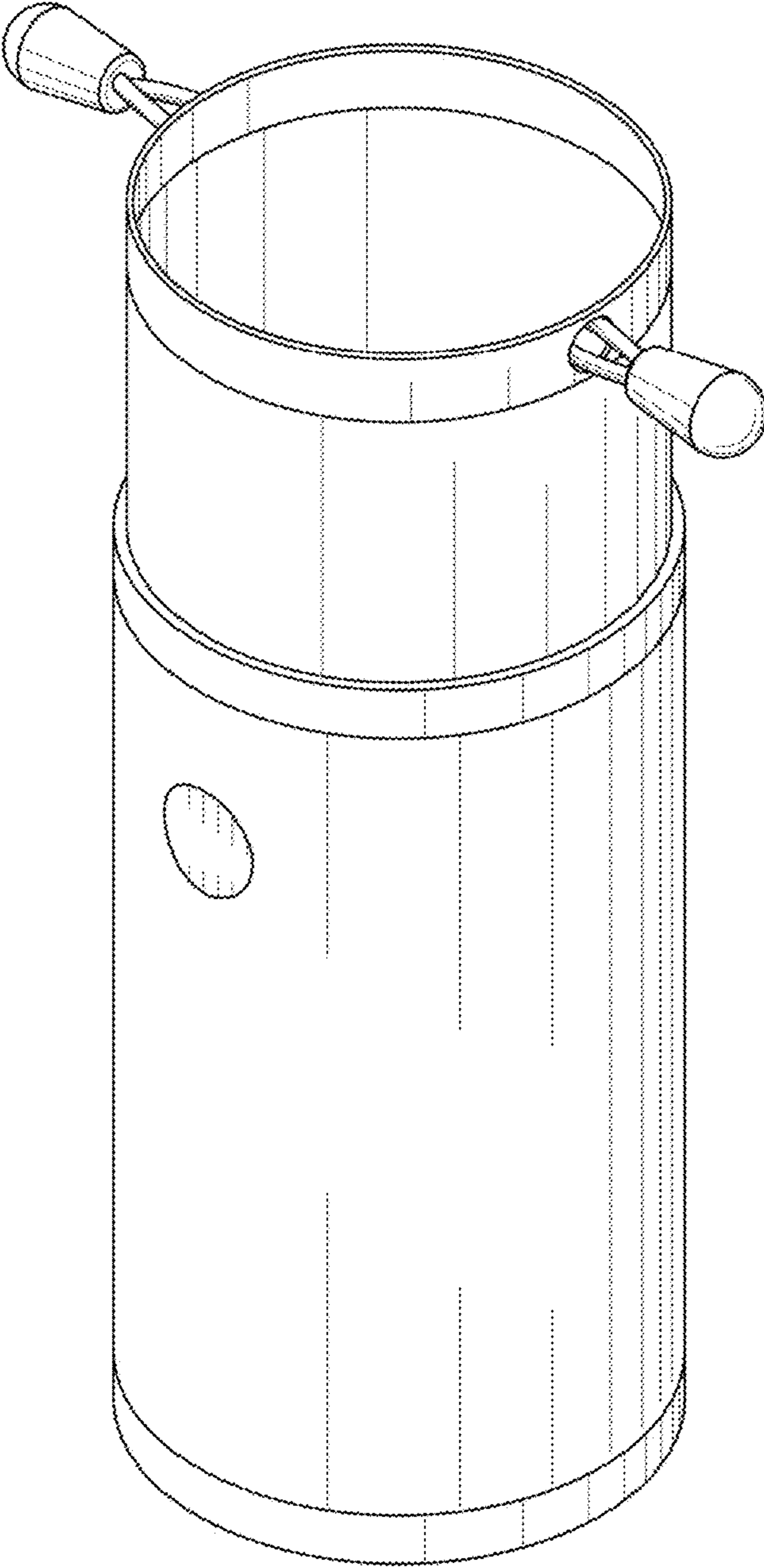


FIG. 8