



US00D919108S

(12) **United States Design Patent**
Zhang

(10) **Patent No.:** **US D919,108 S**

(45) **Date of Patent:** **** May 11, 2021**

(54) **MESSAGE DEVICE**

(71) Applicant: **Dongguan Shenai Electronics Technology Co., Ltd., Dongguan (CN)**

(72) Inventor: **Linlin Zhang, Dongguan (CN)**

(73) Assignee: **Dongguan Shenai Electronics Technology Co., Ltd., Dongguan (CN)**

(**) Term: **15 Years**

(21) Appl. No.: **29/693,206**

(22) Filed: **May 31, 2019**

(30) **Foreign Application Priority Data**

Feb. 1, 2019 (CN) 201930059361.7

(51) **LOC (13) Cl.** **28-03**

(52) **U.S. Cl.**
USPC **D24/215**

(58) **Field of Classification Search**

USPC D21/662, 673, 686, 691, 694, 826;
D25/62, 66, 68, 119, 126, 136; D6/329;
D8/14, 323, 349, 354, 360; D24/107,
D24/128, 215; D15/10, 66, 122, 141,
D15/147, 199

CPC .. A63B 1/00; A63B 2023/003; A63B 23/1218

See application file for complete search history.

(56) **References Cited**

U.S. PATENT DOCUMENTS

3,117,760 A * 1/1964 Dresbach A63B 1/00
248/188.5
D243,294 S * 2/1977 Thaheld D3/18
D244,754 S * 6/1977 Bard D15/66
D244,755 S * 6/1977 Bard D15/66
4,042,232 A * 8/1977 Lile A61G 13/12
5/630

4,258,913 A * 3/1981 Brentham A63B 21/0083
482/112
4,350,067 A * 9/1982 Picard B27B 17/0058
269/296
4,355,525 A * 10/1982 Carson B21D 7/024
72/149

(Continued)

OTHER PUBLICATIONS

Alicemapple, "Automatic Thrusting Machine", Jan. 21, 2021. <https://www.alicemapple.com/automatic-thrusting-sex-machine-compact-and-quiet>. Shown on p. 1. (Year: 2021).*

(Continued)

Primary Examiner — Cynthia Ramirez

Assistant Examiner — Michael A Maharajh

(74) *Attorney, Agent, or Firm* — Westbridge IP LLC

(57) **CLAIM**

The ornamental design for a massage device, as shown and described.

DESCRIPTION

FIG. 1 is a front elevational view of a massage device showing our new design;

FIG. 2 is a rear elevational view thereof;

FIG. 3 is a left side view thereof;

FIG. 4 is a right side view thereof;

FIG. 5 is a top plan view thereof;

FIG. 6 is a bottom plan view thereof;

FIG. 7 is a first perspective view thereof;

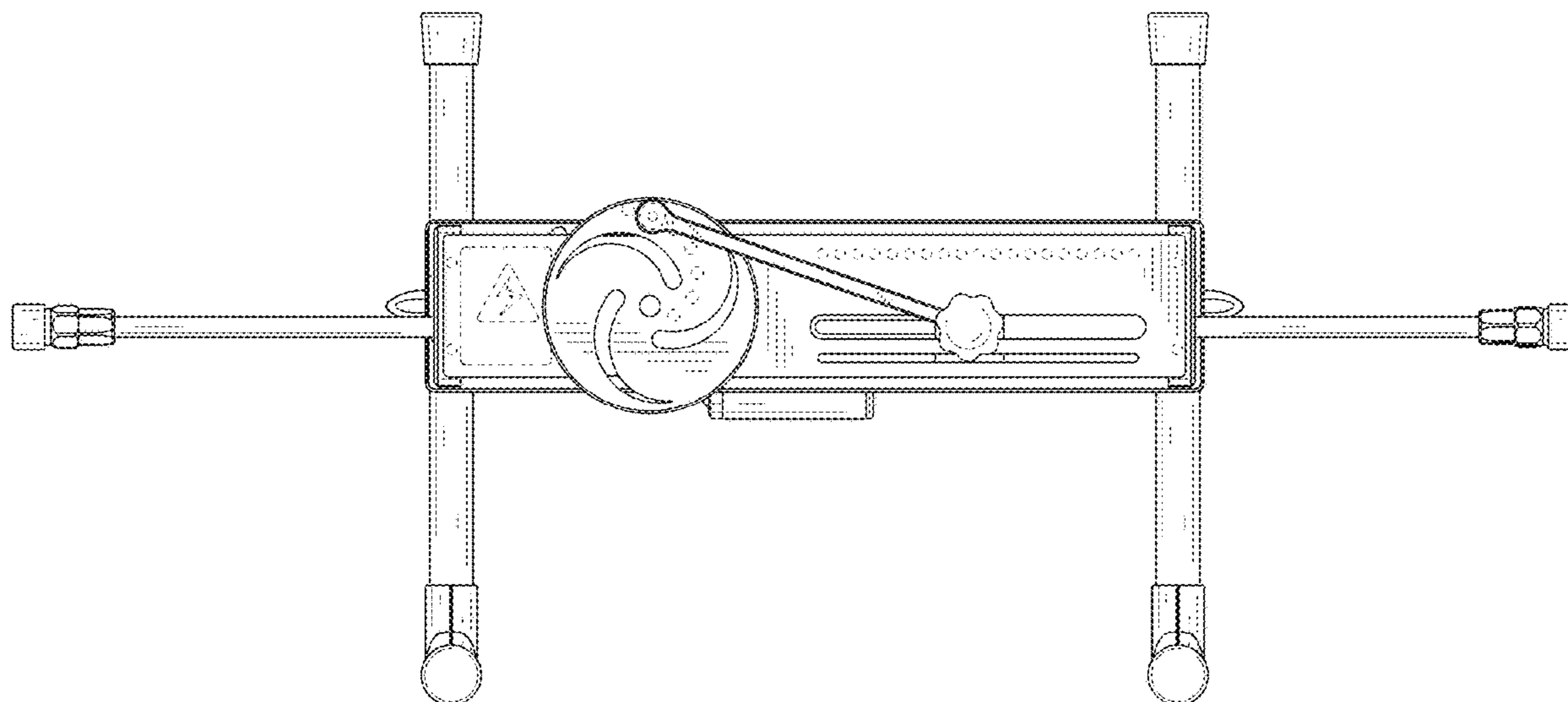
FIG. 8 is a second perspective view thereof; and,

FIG. 9 is an enlarged view of the portion marked as "9" in FIG. 8.

The evenly broken lines in the drawings illustrate portions of the article that form no part of the claim.

The dot-dash lines shown from FIG. 8 represent the designation of enlargement views and form no part of the claimed design

1 Claim, 9 Drawing Sheets



(56)

References Cited

U.S. PATENT DOCUMENTS

4,570,925 A * 2/1986 Kock A63B 23/16
482/114
D307,182 S * 4/1990 Smith D24/128
D320,823 S * 10/1991 Tanner D21/686
D368,288 S * 3/1996 Kasbohm D21/686
5,545,111 A * 8/1996 Wang A63B 22/001
482/147
D395,933 S * 7/1998 Lin D21/662
D398,669 S * 9/1998 Anderson D21/662
5,830,107 A * 11/1998 Briigliodoro A63B 23/03575
482/1
D401,985 S * 12/1998 Wheeler D21/686
D408,476 S * 4/1999 Howachyn D21/662
D515,640 S * 2/2006 Carter D21/673
D541,356 S * 4/2007 Ayton D21/686
D549,749 S * 8/2007 Francis D15/141
D567,312 S * 4/2008 Tsai D21/662
D598,965 S * 8/2009 Augustine D21/673
D615,138 S * 5/2010 Briscoe D21/686
D619,181 S * 7/2010 Oller D21/662
8,246,524 B2 * 8/2012 Castillo A63B 23/0227
482/92
D686,287 S * 7/2013 Boatwright D21/691
D745,939 S * 12/2015 Kaye D21/686
D755,909 S * 5/2016 James D21/686
9,415,287 B2 * 8/2016 Greiwe A61H 1/005
D824,036 S * 7/2018 Hu D24/200

10,675,554 B2 * 6/2020 Bowman A63K 3/043
2005/0020412 A1 * 1/2005 Chen A63B 22/0064
482/80
2005/0049115 A1 * 3/2005 Gomez A63B 23/1218
482/36
2005/0209054 A1 * 9/2005 Thomas Lebert A63B 1/00
482/41
2007/0232464 A1 * 10/2007 Chu A63B 21/00181
482/96
2007/0259760 A1 * 11/2007 Perez A63B 23/0211
482/140
2009/0176621 A1 * 7/2009 Kopp A63B 1/00
482/25
2012/0040812 A1 * 2/2012 Liao Lai A63B 23/0238
482/142
2013/0345026 A1 * 12/2013 Eberflus A63B 1/00
482/38
2019/0105527 A1 * 4/2019 Hallmark A63B 23/1218
2020/0147434 A1 * 5/2020 Garcia, Jr. A63B 23/1227
2020/0222739 A1 * 7/2020 George A63B 1/00

OTHER PUBLICATIONS

Amazon, "Y Not Automatic Sex Machine", Aug. 19, 2020. https://www.amazon.com/Y-NOT-Automatic-Realistic-Dual-Penetration-Adjustable/dp/B086V3W3HF/ref=cm_cr_arp_d_product_top?ie=UTF8. Shown on p. 1. (Year: 2020).*

* cited by examiner

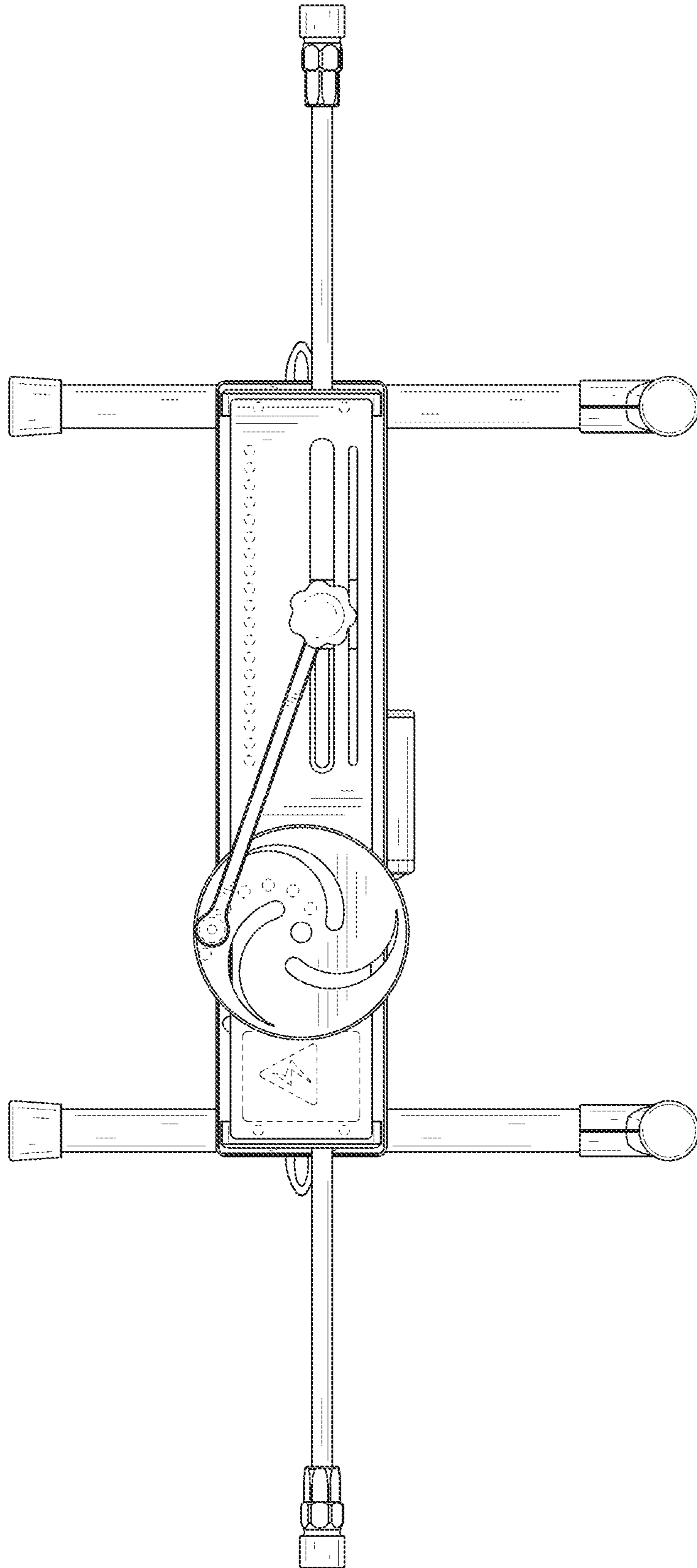


FIG. 1

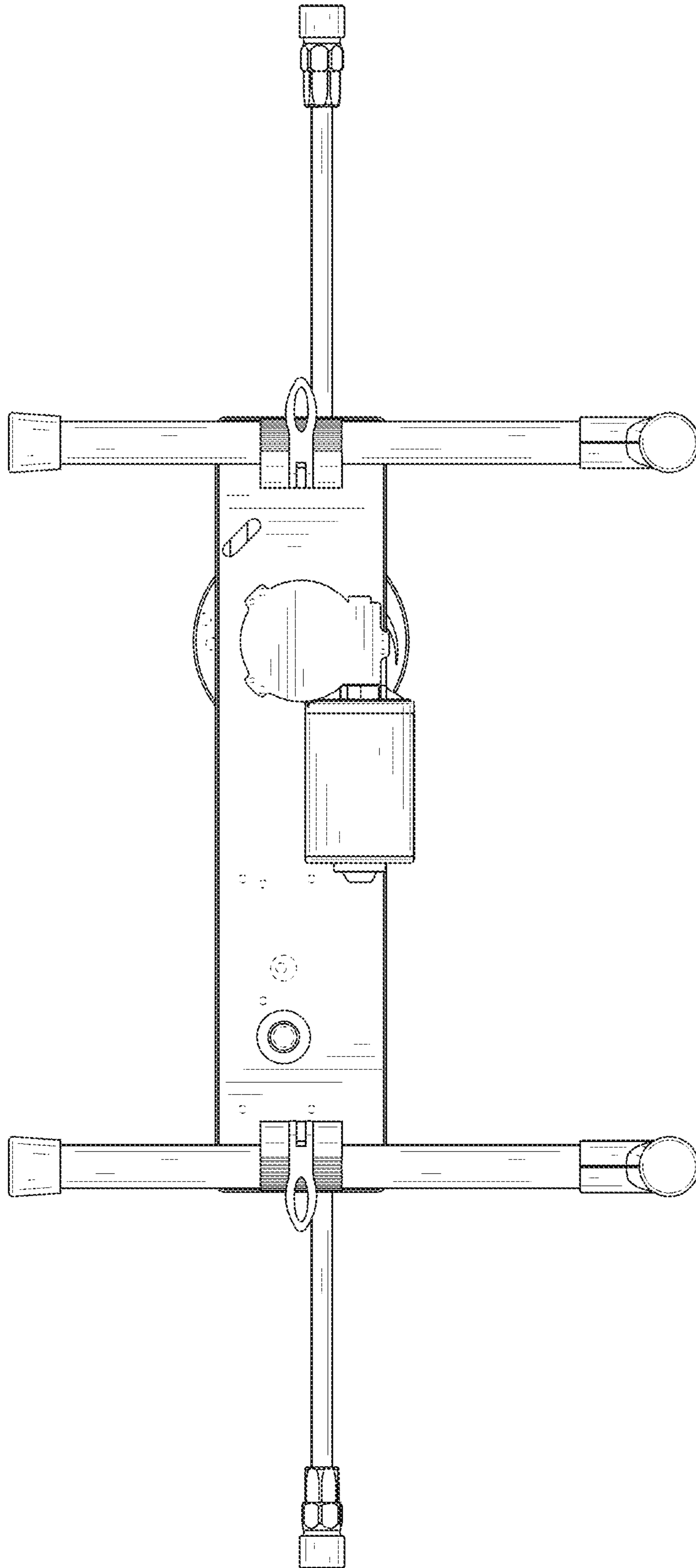


FIG. 2

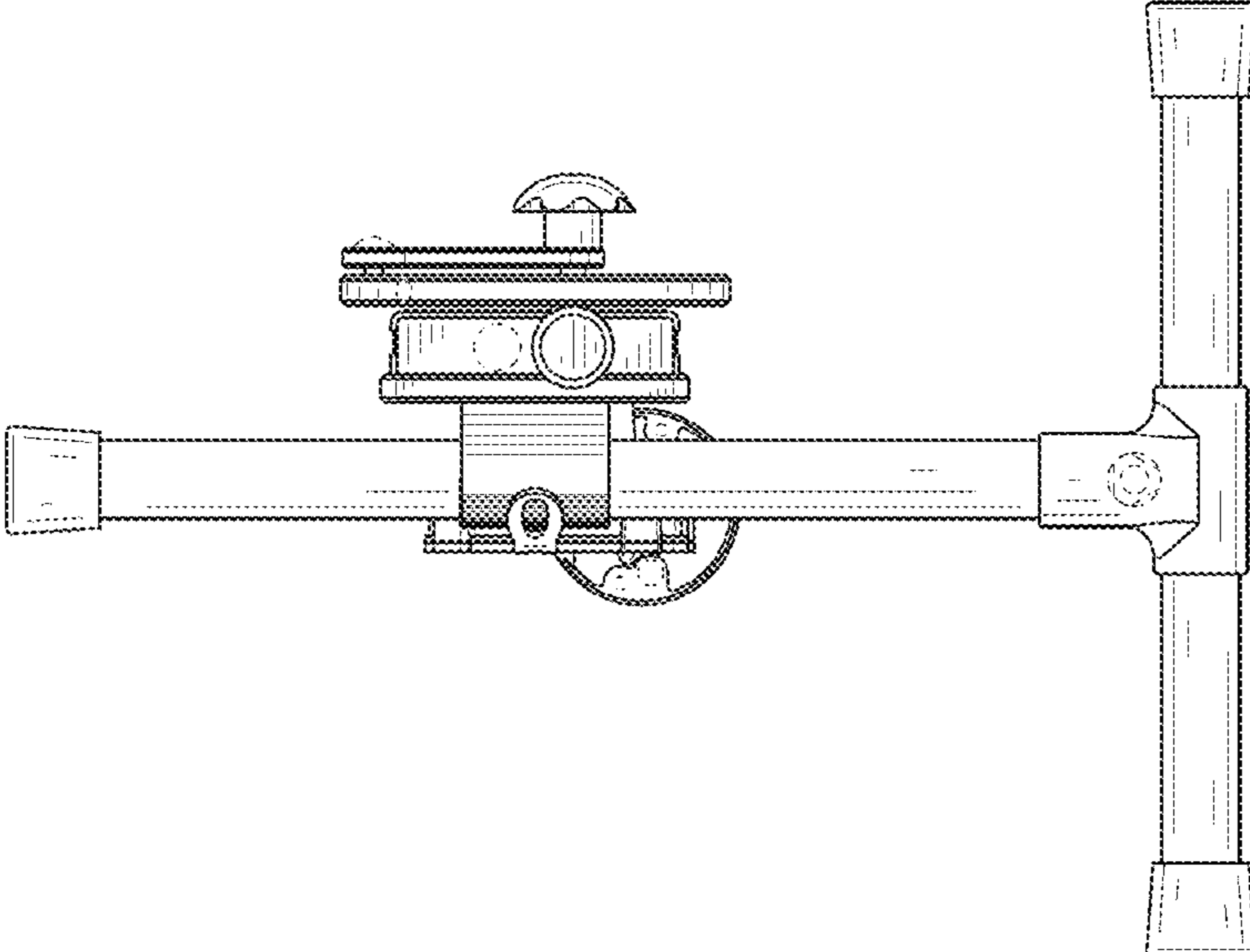


FIG. 3

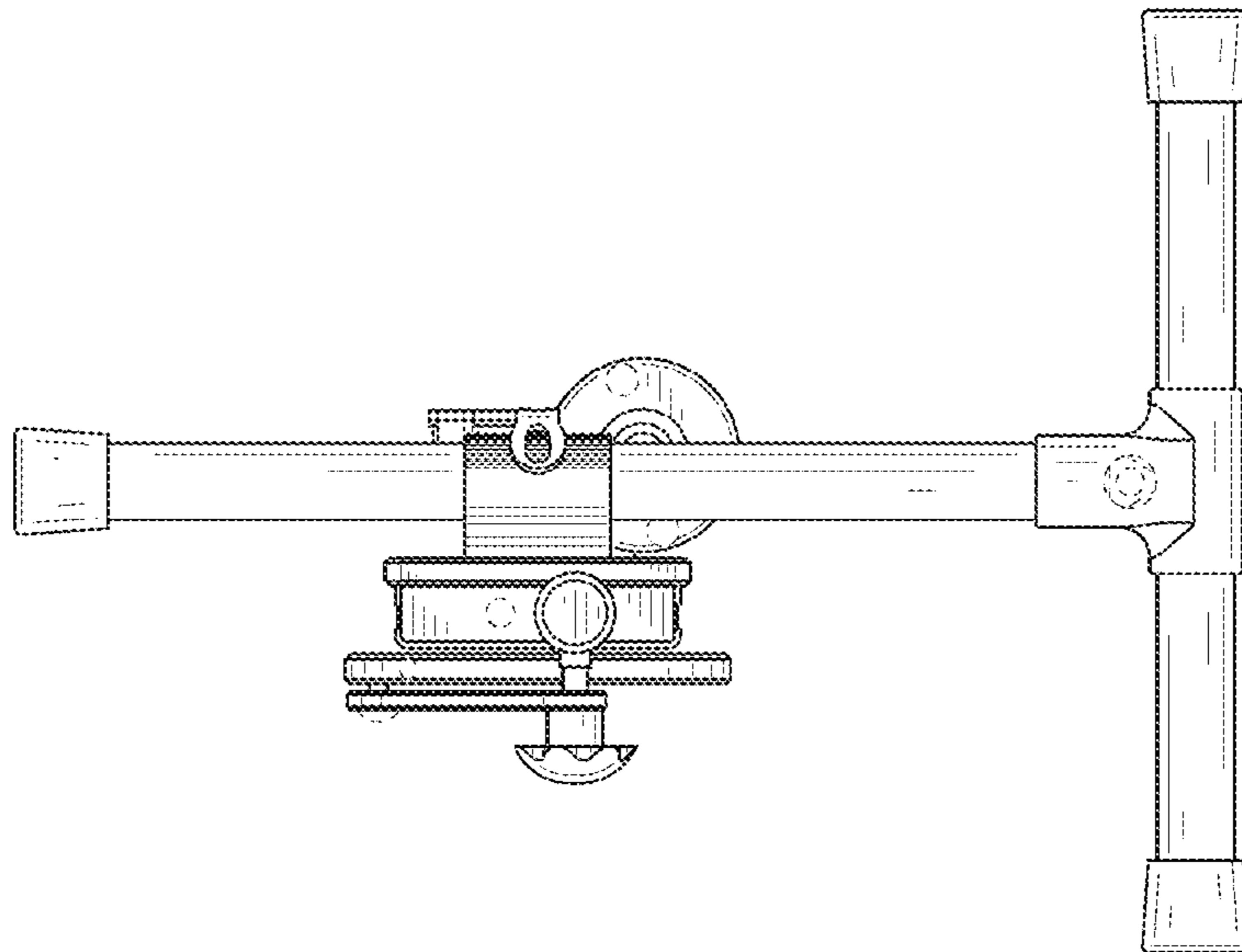


FIG. 4

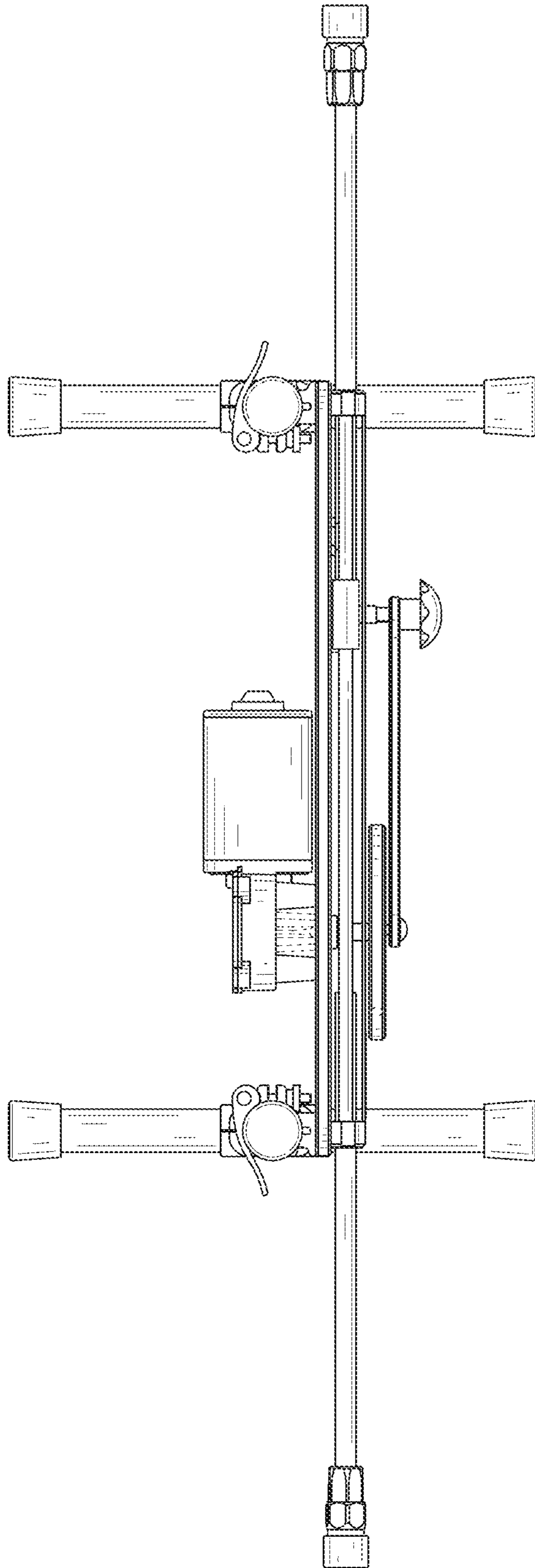


FIG. 5

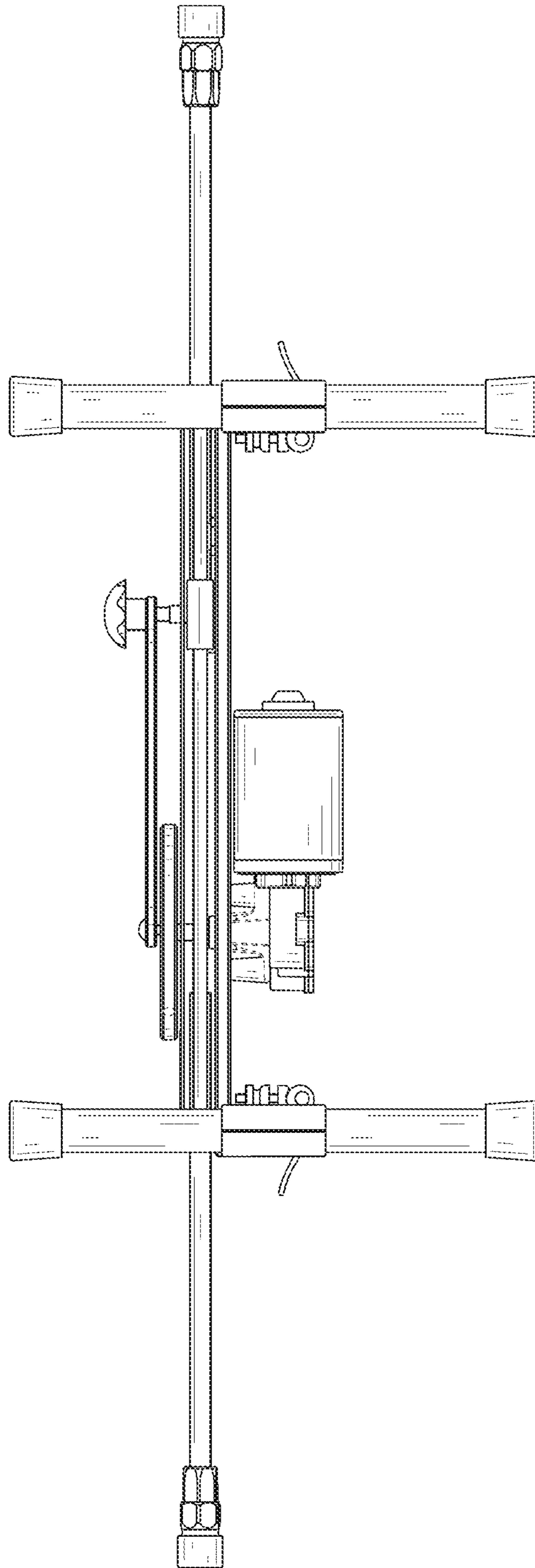


FIG. 6

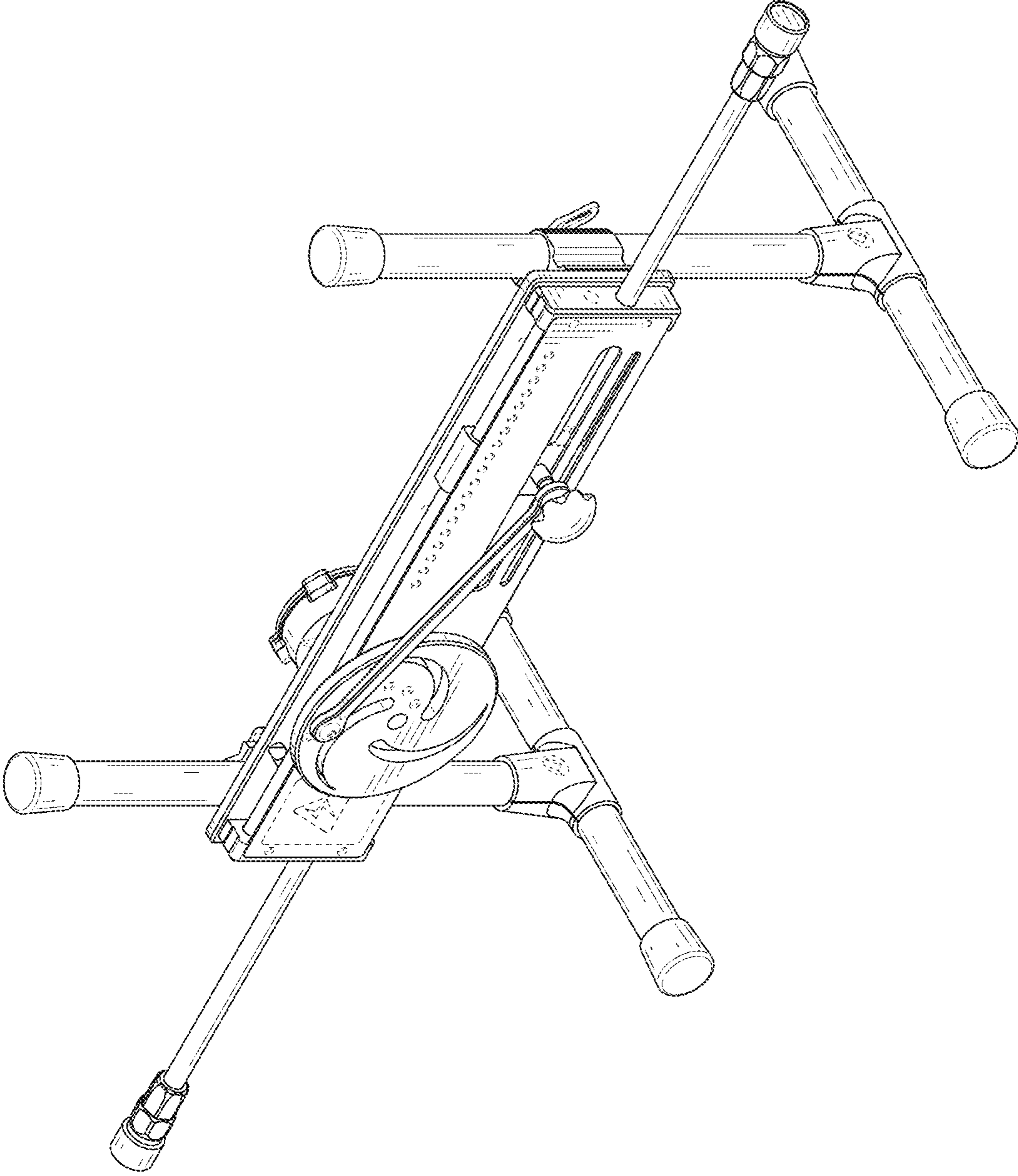


FIG. 7

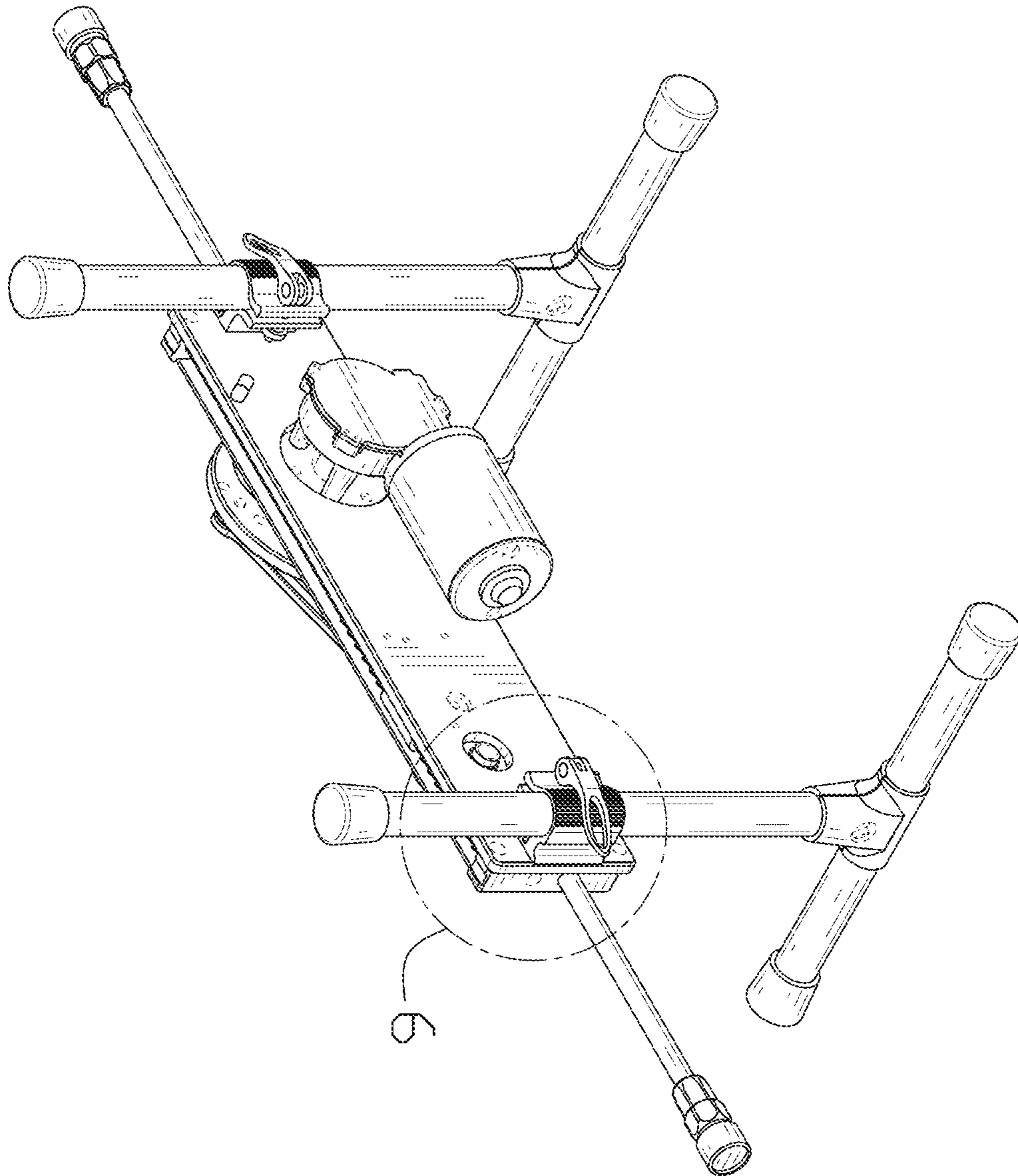


FIG. 8

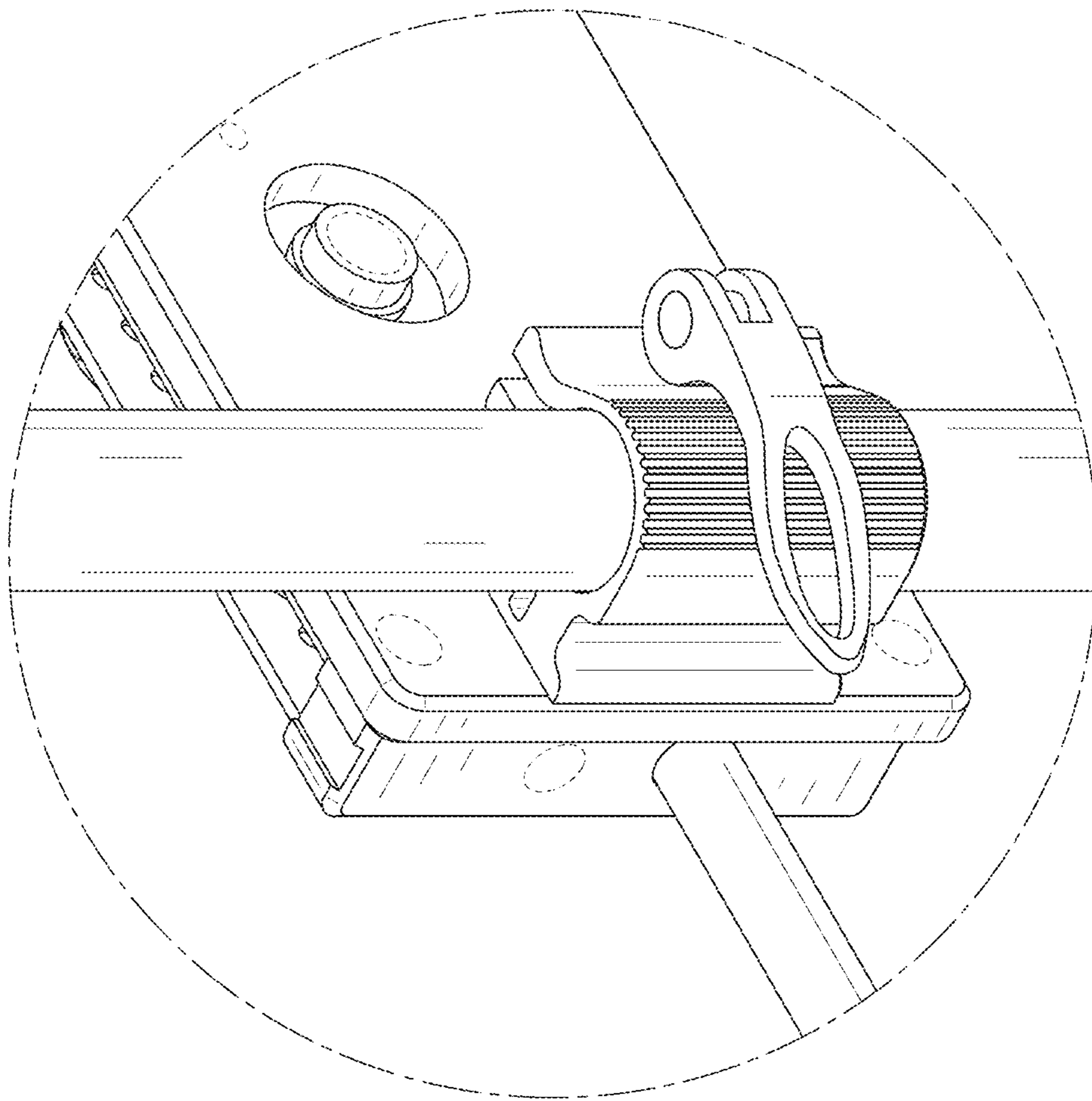


FIG. 9