



US00D919105S

(12) **United States Design Patent**  
**Kurganoff**

(10) **Patent No.:** **US D919,105 S**

(45) **Date of Patent:** **\*\* May 11, 2021**

(54) **FLOTATION TANK**

(71) Applicant: **Mariano Kurganoff**, Santa Fe (AR)

(72) Inventor: **Mariano Kurganoff**, Santa Fe (AR)

(\*\*) Term: **15 Years**

(21) Appl. No.: **29/705,319**

(22) Filed: **Sep. 11, 2019**

(51) **LOC (13) Cl.** ..... **23-02**

(52) **U.S. Cl.**

USPC ..... **D24/204**

(58) **Field of Classification Search**

USPC ..... D24/201–205, 110; D23/276–278,  
D23/280.1–280.3; D25/2

CPC ..... E04H 2001/1283; E04H 4/00; E04H  
4/0018–0062; E04H 4/10; E04H  
4/14–142; A61H 33/02; A61H 33/0087;  
A61H 33/60

See application file for complete search history.

(56) **References Cited**

**U.S. PATENT DOCUMENTS**

D247,977 S \* 5/1978 Jacuzzi ..... D24/205  
D335,528 S \* 5/1993 Kohler, Jr. .... D23/280.1

D564,638 S \* 3/2008 Cunningham ..... D24/204  
D660,442 S \* 5/2012 Sullivan ..... D24/201  
D797,952 S \* 9/2017 Lin ..... D24/204  
D864,402 S \* 10/2019 Rathnam ..... D24/204

\* cited by examiner

*Primary Examiner* — Anhdao Doan

(74) *Attorney, Agent, or Firm* — Defillo & Associates;  
Evelyn A. Defillo

(57) **CLAIM**

The ornamental design for a flotation tank, as shown and described.

**DESCRIPTION**

FIG. 1 is a front perspective front of a flotation tank according to the present design;

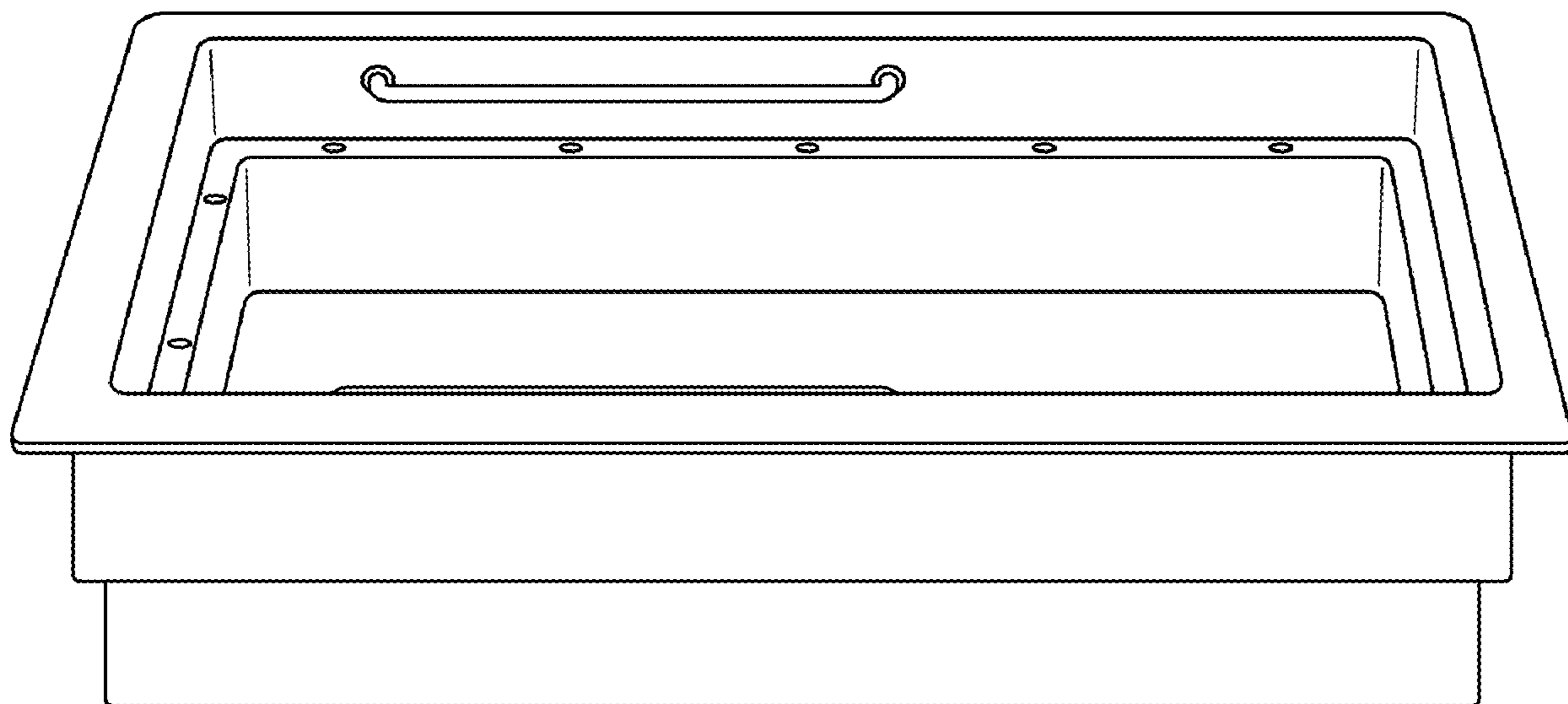
FIG. 2 is a side perspective view of the flotation tank of FIG. 1;

FIG. 3 is a front view of the flotation tank of FIG. 1;

FIG. 4 is a side view of the flotation tank of FIG. 1; and,

FIG. 5 is a top view of the flotation tank of FIG. 1.

**1 Claim, 5 Drawing Sheets**



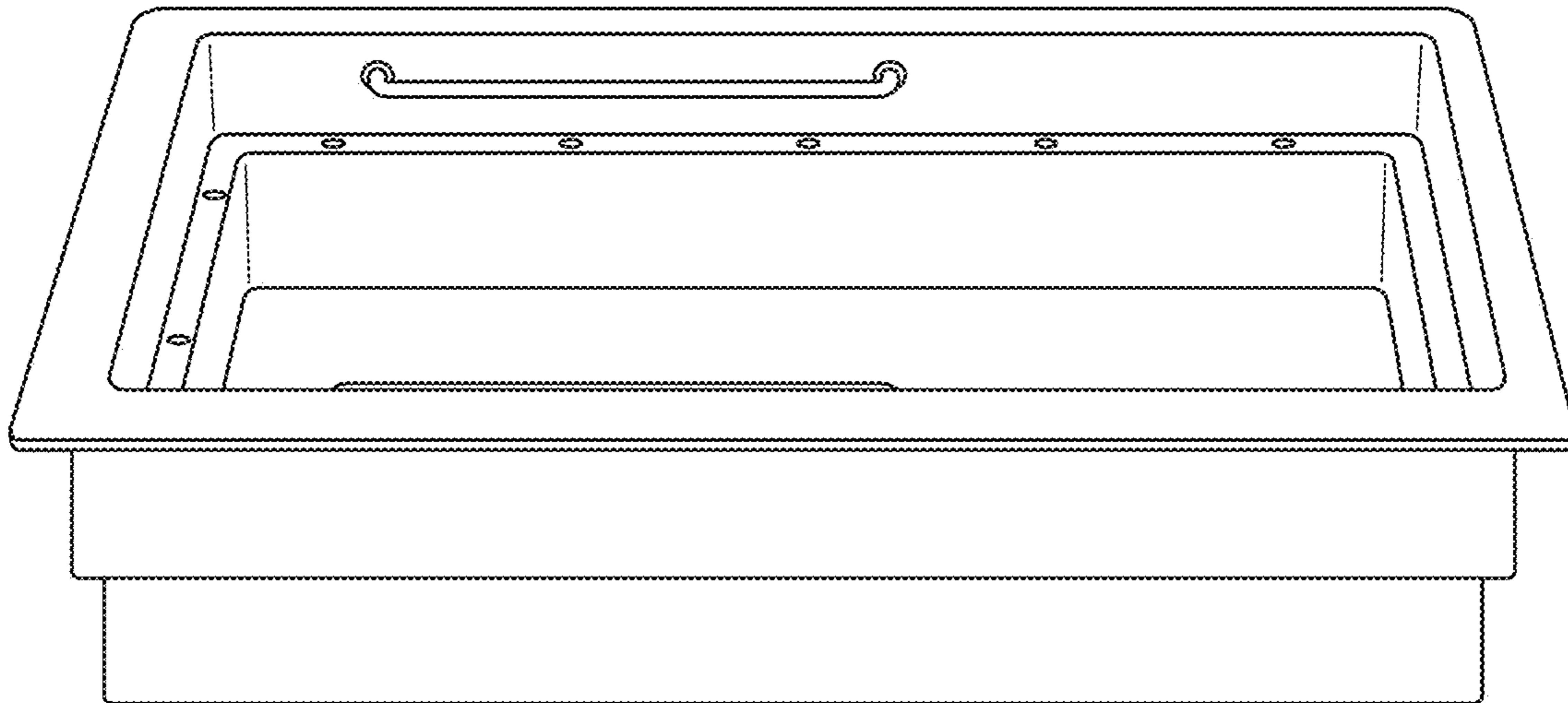


Figure 1

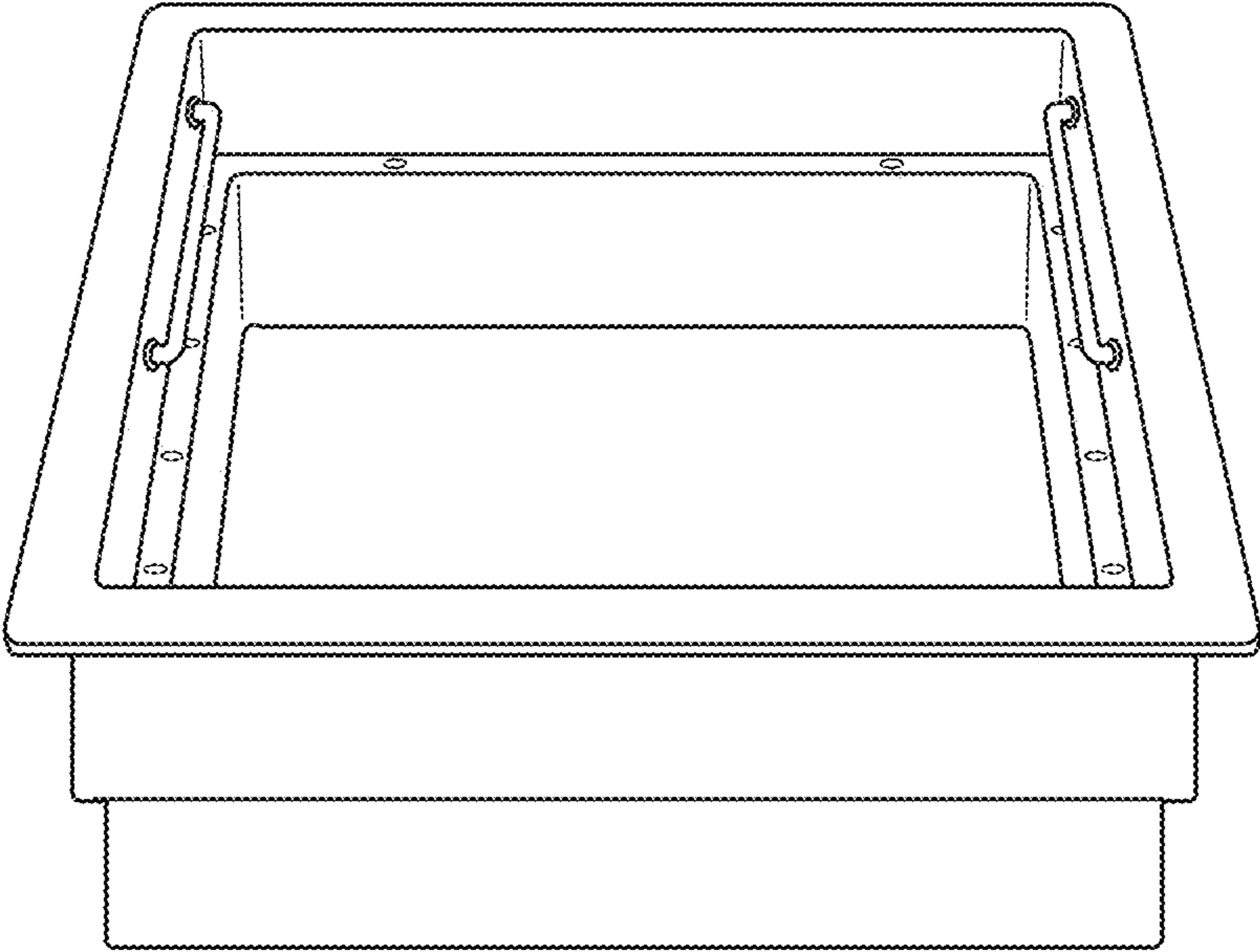


Figure 2

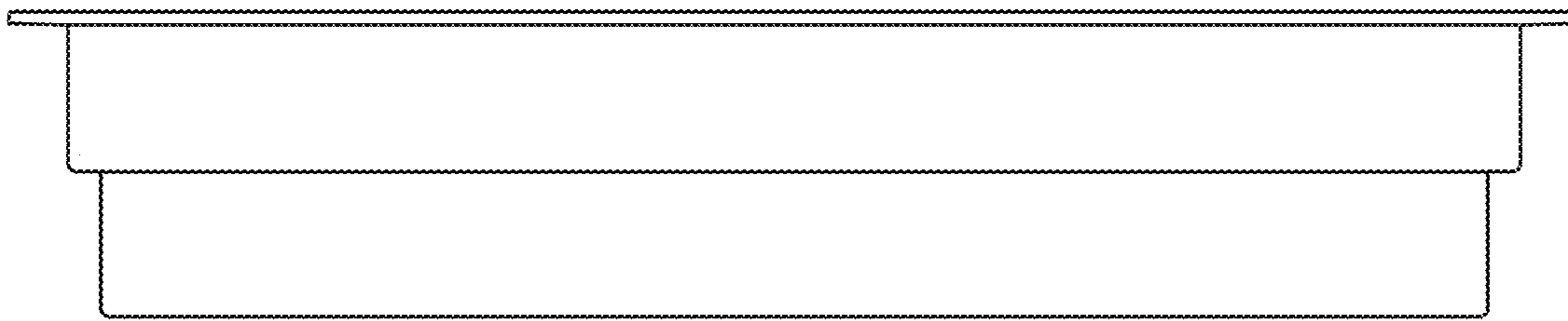


Figure 3

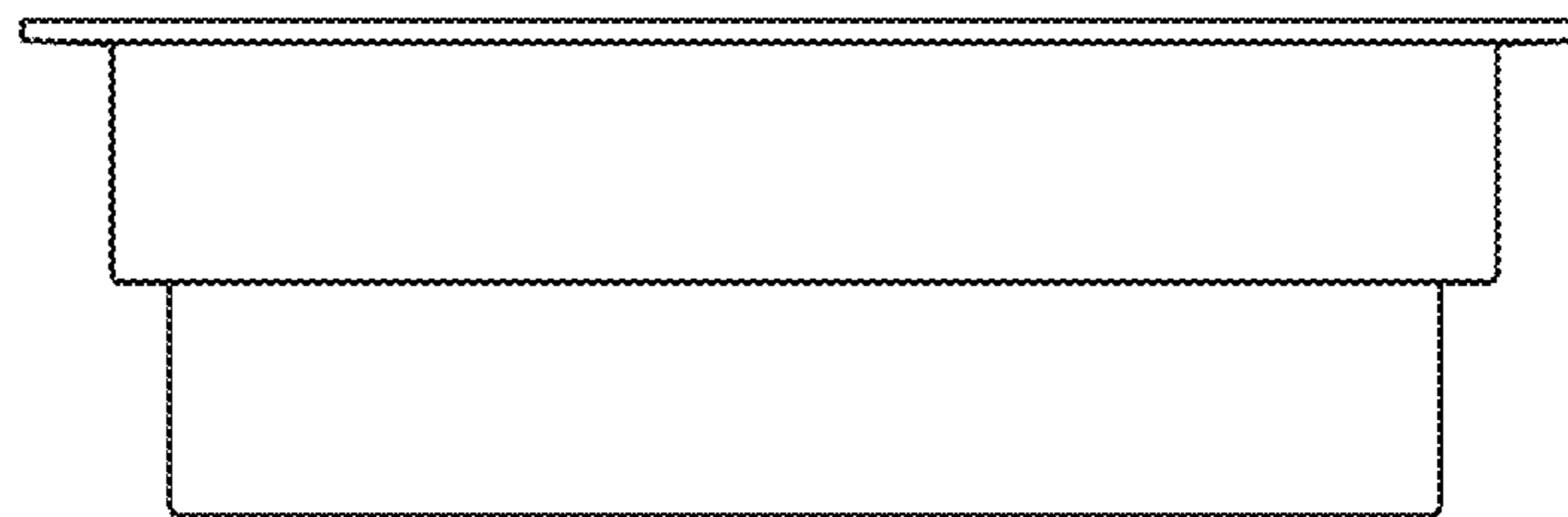


Figure 4

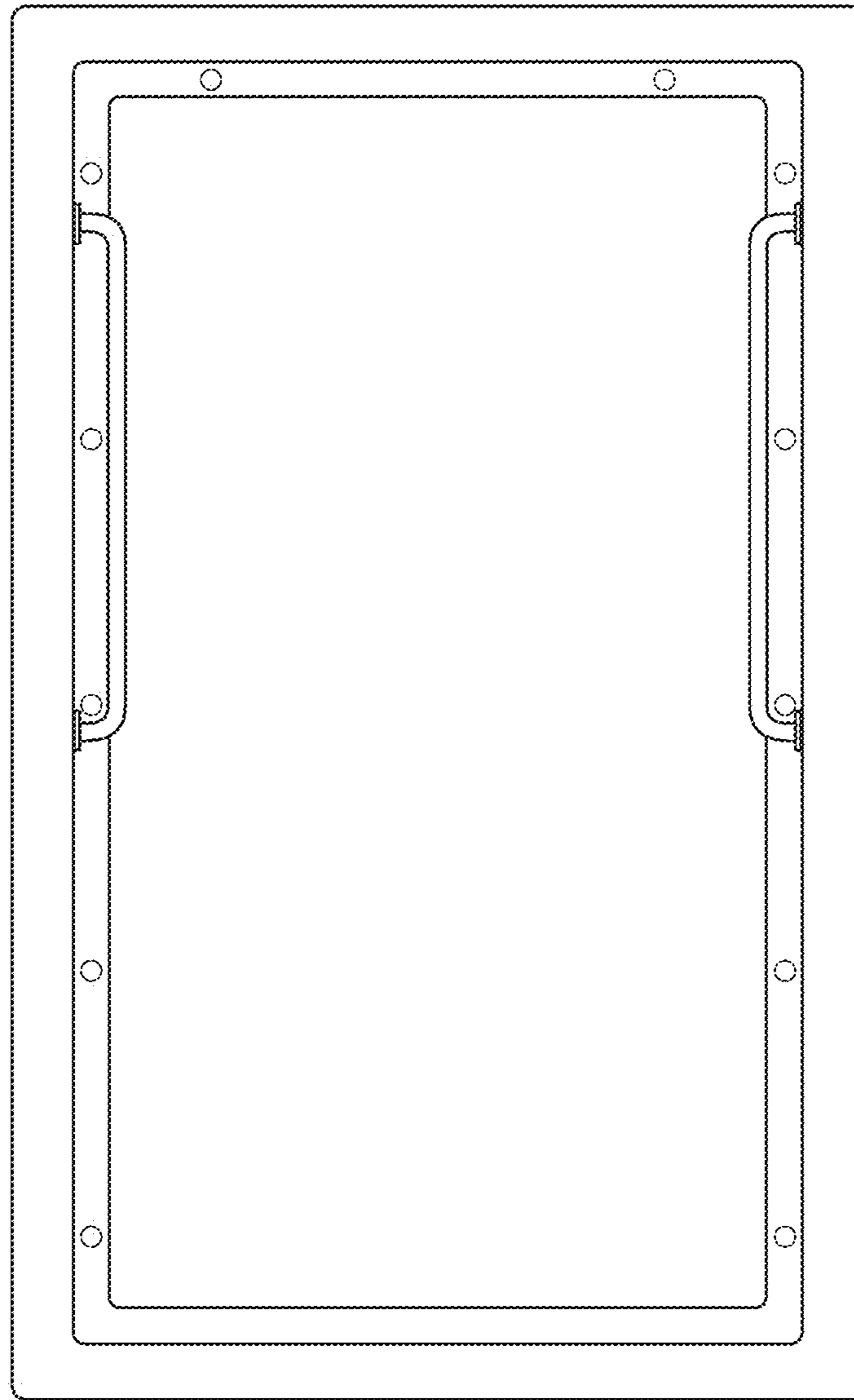


Figure 5