



US00D919100S

(12) **United States Design Patent** (10) **Patent No.:** **US D919,100 S**
Al-Ali et al. (45) **Date of Patent:** **** May 11, 2021**

(54) **HOLDER FOR A PATIENT MONITOR**
(71) Applicant: **Masimo Corporation**, Irvine, CA (US)
(72) Inventors: **Ammar Al-Ali**, San Juan Capistrano, CA (US); **Chad A. DeJong**, Los Angeles, CA (US); **Sujin Hwang**, Irvine, CA (US)
(73) Assignee: **MASIMO CORPORATION**, Irvine, CA (US)

5,431,170 A 7/1995 Mathews
5,436,499 A 7/1995 Namavar et al.
D361,840 S 8/1995 Savage et al.
D362,063 S 9/1995 Savage et al.

(Continued)

FOREIGN PATENT DOCUMENTS

EP 3 430 980 1/2019
EP 3 488 776 5/2019

(Continued)

(**) Term: **15 Years**

(21) Appl. No.: **29/702,172**

(22) Filed: **Aug. 16, 2019**

(51) **LOC (13) Cl.** **24-01**

(52) **U.S. Cl.**
USPC **D24/186**

(58) **Field of Classification Search**
USPC D24/186, 164, 165, 169, 127, 128;
600/310, 323, 335, 340; D13/107, 108;
D14/217, 434; D8/72, 349, 380; D10/52
CPC A61B 5/002; A61B 5/02028; A61B 5/022;
A61B 5/024; A61B 5/026; A61B 5/029;
A61B 5/4884; A61B 2560/0456

See application file for complete search history.

(56) **References Cited**

U.S. PATENT DOCUMENTS

4,960,128 A 10/1990 Gordon et al.
4,964,408 A 10/1990 Hink et al.
D324,570 S 3/1992 Arioka et al.
D334,973 S * 4/1993 Valentine D24/227
D346,798 S * 5/1994 Nagele D13/108
5,319,355 A 6/1994 Russek
5,337,744 A 8/1994 Branigan
5,341,805 A 8/1994 Stavridi et al.
D353,195 S 12/1994 Savage et al.
D353,196 S 12/1994 Savage et al.
5,377,676 A 1/1995 Vari et al.
D359,546 S 6/1995 Savage et al.

OTHER PUBLICATIONS

International Search Report and Written Opinion received in PCT Application No. PCT/US2020/028542 dated Sep. 7, 2020 in 19 pages.

Primary Examiner — Nathan M Johnston

(74) *Attorney, Agent, or Firm* — Knobbe, Martens, Olson & Bear, LLP

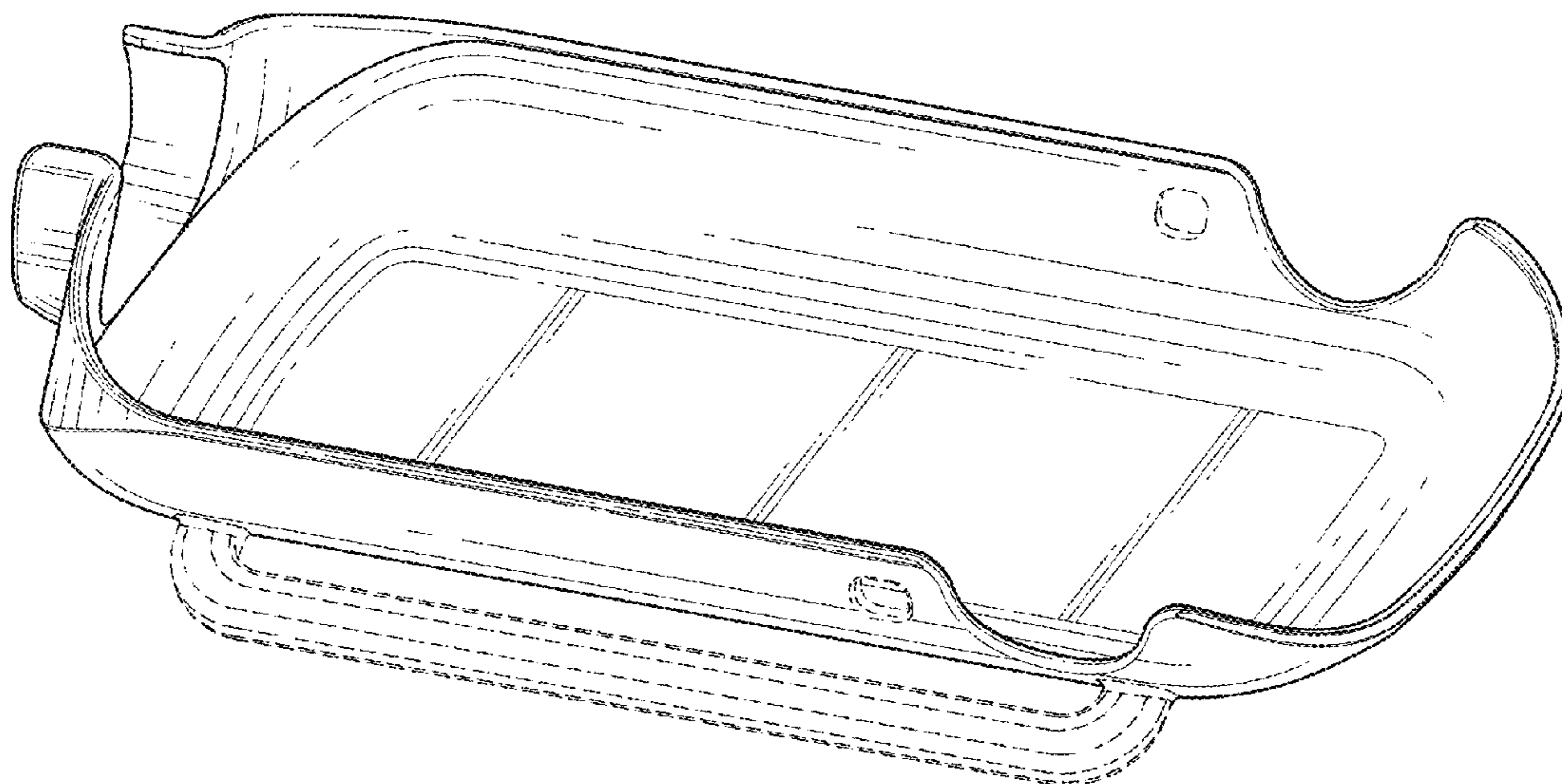
(57) **CLAIM**

The ornamental design for a holder for a patient monitor, as shown and described.

DESCRIPTION

FIG. 1 is a perspective view of a holder for a patient monitor showing our new design;
FIG. 2 is another perspective view thereof;
FIG. 3 is top view thereof;
FIG. 4 is bottom view thereof;
FIG. 5 is a side view thereof;
FIG. 6 is another side view thereof;
FIG. 7 is a front view thereof;
FIG. 8 is a rear view thereof; and,
FIG. 9 is another perspective view thereof.
Broken lines, where shown, are used to illustrate portions of the holder for a patient monitor or environmental subject matter that form no part of the claimed design.

1 Claim, 5 Drawing Sheets



(56)

References Cited

U.S. PATENT DOCUMENTS

D363,120 S	10/1995	Savage et al.	6,661,161 B1	12/2003	Lanzo et al.	
5,456,252 A	10/1995	Vari et al.	D486,785 S *	2/2004	Shindo	D13/107
5,479,934 A	1/1996	Imran	6,697,656 B1	2/2004	Al-Ali	
5,482,036 A	1/1996	Diab et al.	6,697,658 B2	2/2004	Al-Ali	
5,494,043 A	2/1996	O'Sullivan et al.	RE38,476 E	3/2004	Diab et al.	
5,533,511 A	7/1996	Kaspari et al.	RE38,492 E	4/2004	Diab et al.	
5,561,275 A	10/1996	Savage et al.	6,735,379 B2	5/2004	Salmon et al.	
5,590,649 A	1/1997	Caro et al.	6,738,652 B2	5/2004	Mattu et al.	
5,602,924 A	2/1997	Durand et al.	6,760,607 B2	7/2004	Al-Ali	
5,638,816 A	6/1997	Kiani-Azarbayjany et al.	6,788,965 B2	9/2004	Ruchti et al.	
5,638,818 A	6/1997	Diab et al.	6,816,241 B2	11/2004	Grubisic	
5,645,440 A	7/1997	Tobler et al.	6,822,564 B2	11/2004	Al-Ali	
5,671,914 A	9/1997	Kalkhoran et al.	6,850,787 B2	2/2005	Weber et al.	
D385,283 S *	10/1997	Snyder	6,850,788 B2	2/2005	Al-Ali	
5,726,440 A	3/1998	Kalkhoran et al.	6,876,931 B2	4/2005	Lorenz et al.	
D393,830 S	4/1998	Tobler et al.	6,920,345 B2	7/2005	Al-Ali et al.	
5,743,262 A	4/1998	Lepper, Jr. et al.	6,934,570 B2	8/2005	Kiani et al.	
5,747,806 A	5/1998	Khalil et al.	6,943,348 B1	9/2005	Coffin, IV	
5,750,994 A	5/1998	Schlager	6,956,649 B2	10/2005	Acosta et al.	
5,758,644 A	6/1998	Diab et al.	6,961,598 B2	11/2005	Diab	
5,760,910 A	6/1998	Lepper, Jr. et al.	6,970,792 B1	11/2005	Diab	
D404,357 S *	1/1999	Foster	6,985,764 B2	1/2006	Mason et al.	
5,890,929 A	4/1999	Mills et al.	6,990,364 B2	1/2006	Ruchti et al.	
5,919,134 A	7/1999	Diab	6,998,247 B2	2/2006	Monfre et al.	
D417,189 S *	11/1999	Amero, Jr.	7,003,338 B2	2/2006	Weber et al.	
5,987,343 A	11/1999	Kinast	7,015,451 B2	3/2006	Dalke et al.	
5,997,343 A	12/1999	Mills et al.	7,027,849 B2	4/2006	Al-Ali	
6,002,952 A	12/1999	Diab et al.	D526,719 S	8/2006	Richie, Jr. et al.	
6,010,937 A	1/2000	Karam et al.	7,096,052 B2	8/2006	Mason et al.	
6,027,452 A	2/2000	Flaherty et al.	7,096,054 B2	8/2006	Abdul-Hafiz et al.	
6,040,578 A	3/2000	Malin et al.	D529,616 S	10/2006	Deros et al.	
6,066,204 A	5/2000	Haven	7,133,710 B2	11/2006	Acosta et al.	
D428,387 S *	7/2000	Malloy	7,142,901 B2	11/2006	Kiani et al.	
6,115,673 A	9/2000	Malin et al.	7,225,006 B2	5/2007	Al-Ali et al.	
6,124,597 A	9/2000	Shehada et al.	RE39,672 E	6/2007	Shehada et al.	
6,128,521 A	10/2000	Marro et al.	7,254,429 B2	8/2007	Schurman et al.	
6,129,675 A	10/2000	Jay	7,254,431 B2	8/2007	Al-Ali et al.	
6,144,868 A	11/2000	Parker	7,254,434 B2	8/2007	Schulz et al.	
6,152,754 A	11/2000	Gerhardt et al.	7,274,955 B2	9/2007	Kiani et al.	
6,184,521 B1	2/2001	Coffin, IV et al.	D554,263 S	10/2007	Al-Ali et al.	
6,232,609 B1	5/2001	Snyder et al.	7,280,858 B2	10/2007	Al-Ali et al.	
6,241,683 B1	6/2001	Macklem et al.	7,289,835 B2	10/2007	Mansfield et al.	
6,255,708 B1	7/2001	Sudharsanan et al.	7,292,883 B2	11/2007	De Felice et al.	
6,280,381 B1	8/2001	Malin et al.	D557,814 S *	12/2007	Glenn	D24/217
6,285,896 B1	9/2001	Tobler et al.	7,341,559 B2	3/2008	Schulz et al.	
6,308,089 B1	10/2001	von der Ruhr et al.	7,343,186 B2	3/2008	Lamego et al.	
6,317,627 B1	11/2001	Ennen et al.	D566,282 S *	4/2008	Al-Ali	D24/185
6,321,100 B1	11/2001	Parker	7,356,365 B2	4/2008	Schurman	
6,334,065 B1	12/2001	Al-Ali et al.	7,371,981 B2	5/2008	Abdul-Hafiz	
6,360,114 B1	3/2002	Diab et al.	7,373,193 B2	5/2008	Al-Ali et al.	
6,368,283 B1	4/2002	Xu et al.	7,377,794 B2	5/2008	Al-Ali et al.	
6,411,373 B1	6/2002	Garside et al.	D571,478 S *	6/2008	Horacek	D24/217
6,415,167 B1	7/2002	Blank et al.	D571,720 S *	6/2008	Yang	D13/107
6,430,437 B1	8/2002	Marro	7,395,158 B2	7/2008	Monfre et al.	
6,430,525 B1	8/2002	Weber et al.	7,415,297 B2	8/2008	Al-Ali et al.	
6,463,311 B1	10/2002	Diab	D576,546 S *	9/2008	Yang	D13/107
6,470,199 B1	10/2002	Kopotic et al.	7,438,683 B2	10/2008	Al-Ali et al.	
6,487,429 B2	11/2002	Hockersmith et al.	7,483,729 B2	1/2009	Al-Ali et al.	
6,505,059 B1	1/2003	Kollias et al.	D587,657 S	3/2009	Al-Ali et al.	
6,525,386 B1	2/2003	Mills et al.	7,500,950 B2	3/2009	Al-Ali et al.	
6,526,300 B1	2/2003	Kiani et al.	7,509,494 B2	3/2009	Al-Ali	
6,534,012 B1	3/2003	Hazen et al.	7,510,849 B2	3/2009	Schurman et al.	
6,542,764 B1	4/2003	Al-Ali et al.	7,514,725 B2	4/2009	Wojtczuk et al.	
6,580,086 B1	6/2003	Schulz et al.	7,519,406 B2	4/2009	Blank et al.	
6,584,336 B1	6/2003	Ali et al.	D592,507 S	5/2009	Wachman et al.	
6,587,196 B1	7/2003	Stippick et al.	7,530,942 B1	5/2009	Diab	
6,587,199 B1	7/2003	Luu	D601,258 S *	9/2009	Bell	D24/169
6,595,316 B2	7/2003	Cybulski et al.	7,593,230 B2	9/2009	Abul-Haj et al.	
6,597,932 B2	7/2003	Tian et al.	7,596,398 B2	9/2009	Al-Ali et al.	
6,606,511 B1	8/2003	Ali et al.	7,606,608 B2	10/2009	Blank et al.	
6,635,559 B2	10/2003	Greenwald et al.	7,620,674 B2	11/2009	Ruchti et al.	
6,639,668 B1	10/2003	Trepagnier	D606,659 S	12/2009	Kiani et al.	
6,640,116 B2	10/2003	Diab	7,629,039 B2	12/2009	Eckerbom et al.	
6,640,117 B2	10/2003	Makarewicz et al.	7,640,140 B2	12/2009	Ruchti et al.	
6,658,276 B2	12/2003	Kiani et al.	7,647,083 B2	1/2010	Al-Ali et al.	
			D609,193 S	2/2010	Al-Ali et al.	
			D614,305 S	4/2010	Al-Ali et al.	
			7,697,966 B2	4/2010	Monfre et al.	
			7,698,105 B2	4/2010	Ruchti et al.	

(56)

References Cited

U.S. PATENT DOCUMENTS

RE41,317 E	5/2010	Parker	8,670,811 B2	3/2014	O'Reilly
RE41,333 E	5/2010	Blank et al.	RE44,823 E	4/2014	Parker
D616,993 S	6/2010	Muis et al.	RE44,875 E	4/2014	Kiani et al.
7,729,733 B2	6/2010	Al-Ali et al.	8,688,183 B2	4/2014	Bruinsma et al.
7,761,127 B2	7/2010	Al-Ali et al.	8,690,799 B2	4/2014	Telfort et al.
7,764,982 B2	7/2010	Dalke et al.	8,702,627 B2	4/2014	Telfort et al.
D621,516 S	8/2010	Kiani et al.	8,712,494 B1	4/2014	MacNeish, III et al.
7,791,155 B2	9/2010	Diab	8,715,206 B2	5/2014	Telfort et al.
RE41,912 E	11/2010	Parker	8,716,629 B2	5/2014	Klewer et al.
7,880,626 B2	2/2011	Al-Ali et al.	8,723,677 B1	5/2014	Kiani
7,904,133 B2	3/2011	Gehman et al.	8,740,792 B1	6/2014	Kiani et al.
7,909,772 B2	3/2011	Popov et al.	8,755,535 B2	6/2014	Telfort et al.
D636,726 S *	4/2011	Hiramura D13/108	8,755,872 B1	6/2014	Marinow
7,919,713 B2	4/2011	Al-Ali et al.	D709,439 S *	7/2014	Ferber D13/103
7,937,128 B2	5/2011	Al-Ali	8,764,671 B2	7/2014	Kiani
7,937,129 B2	5/2011	Mason et al.	8,768,423 B2	7/2014	Shakespeare et al.
7,941,199 B2	5/2011	Kiani	8,771,204 B2	7/2014	Telfort et al.
7,957,780 B2	6/2011	Lamego et al.	8,781,544 B2	7/2014	Al-Ali et al.
7,962,188 B2	6/2011	Kiani et al.	8,790,268 B2	7/2014	Al-Ali
7,976,472 B2	7/2011	Kiani	8,801,613 B2	8/2014	Al-Ali et al.
7,990,382 B2	8/2011	Kiani	D712,827 S *	9/2014	Maeda D13/108
8,008,088 B2	8/2011	Bellott et al.	8,821,397 B2	9/2014	Al-Ali et al.
RE42,753 E	9/2011	Kiani-Azarbayjany et al.	8,821,415 B2	9/2014	Al-Ali et al.
8,028,701 B2	10/2011	Al-Ali et al.	8,830,449 B1	9/2014	Lamego et al.
8,048,040 B2	11/2011	Kiani	8,840,549 B2	9/2014	Al-Ali et al.
8,050,728 B2	11/2011	Al-Ali et al.	8,852,094 B2	10/2014	Al-Ali et al.
RE43,169 E	2/2012	Parker	8,852,994 B2	10/2014	Wojtczuk et al.
8,118,620 B2	2/2012	Al-Ali et al.	8,897,847 B2	11/2014	Al-Ali
8,130,105 B2	3/2012	Al-Ali et al.	D719,658 S	12/2014	McDougall et al.
8,182,443 B1	5/2012	Kiani	8,911,377 B2	12/2014	Al-Ali
8,190,223 B2	5/2012	Al-Ali et al.	D724,222 S *	3/2015	Chung D24/169
8,203,438 B2	6/2012	Kiani et al.	8,989,831 B2	3/2015	Al-Ali et al.
8,203,704 B2	6/2012	Merritt et al.	8,998,809 B2	4/2015	Kiani
8,219,172 B2	7/2012	Schurman et al.	D728,468 S *	5/2015	Ferber D13/103
8,224,411 B2	7/2012	Al-Ali et al.	9,066,666 B2	6/2015	Kiani
8,233,955 B2	7/2012	Al-Ali et al.	9,066,680 B1	6/2015	Al-Ali et al.
D666,305 S *	8/2012	Benarieh D24/232	9,095,316 B2	8/2015	Welch et al.
8,255,026 B1	8/2012	Al-Ali	9,106,038 B2	8/2015	Telfort et al.
8,265,723 B1	9/2012	McHale et al.	9,107,625 B2	8/2015	Telfort et al.
8,274,360 B2	9/2012	Sampath et al.	9,131,881 B2	9/2015	Diab et al.
8,280,473 B2	10/2012	Al-Ali	9,138,180 B1	9/2015	Coverston et al.
8,315,683 B2	11/2012	Al-Ali et al.	9,153,112 B1	10/2015	Kiani et al.
8,315,687 B2	11/2012	Cross et al.	9,192,329 B2	11/2015	Al-Ali
RE43,860 E	12/2012	Parker	9,192,351 B1	11/2015	Telfort et al.
D671,888 S *	12/2012	Dyson D13/108	9,195,385 B2	11/2015	Al-Ali et al.
8,346,330 B2	1/2013	Lamego	D745,167 S	12/2015	Canas et al.
8,353,842 B2	1/2013	Al-Ali et al.	9,211,095 B1	12/2015	Al-Ali
8,355,766 B2	1/2013	MacNeish, III et al.	9,218,454 B2	12/2015	Kiani et al.
8,374,665 B2	2/2013	Lamego	9,245,668 B1	1/2016	Vo et al.
8,401,602 B2	3/2013	Kiani	9,267,572 B2	2/2016	Barker et al.
8,414,499 B2	4/2013	Al-Ali et al.	D752,229 S	3/2016	Chen et al.
8,418,524 B2	4/2013	Al-Ali	9,277,880 B2	3/2016	Poeze et al.
8,428,967 B2	4/2013	Olsen et al.	9,307,928 B1	4/2016	Al-Ali et al.
8,430,817 B1	4/2013	Al-Ali et al.	9,323,894 B2	4/2016	Kiani
8,437,825 B2	5/2013	Dalvi et al.	D755,392 S	5/2016	Hwang et al.
8,455,290 B2	6/2013	Siskavich	D755,393 S *	5/2016	Amsler D24/167
8,457,707 B2	6/2013	Kiani	9,326,712 B1	5/2016	Kiani
8,471,713 B2	6/2013	Poeze et al.	9,392,945 B2	7/2016	Al-Ali et al.
8,473,020 B2	6/2013	Kiani et al.	9,408,542 B1	8/2016	Kinast et al.
8,509,867 B2	8/2013	Workman et al.	D767,485 S *	9/2016	To D13/103
8,515,509 B2	8/2013	Bruinsma et al.	D767,487 S *	9/2016	Huang D13/107
8,523,781 B2	9/2013	Al-Ali	9,436,645 B2	9/2016	Al-Ali et al.
D692,145 S	10/2013	Al-Ali et al.	9,445,759 B1	9/2016	Lamego et al.
8,571,617 B2	10/2013	Reichgott et al.	9,474,474 B2	10/2016	Lamego et al.
8,571,618 B1	10/2013	Lamego et al.	9,480,435 B2	11/2016	Olsen
8,571,619 B2	10/2013	Al-Ali et al.	9,510,755 B2	12/2016	Fong et al.
8,577,431 B2	11/2013	Lamego et al.	9,510,779 B2	12/2016	Poeze et al.
8,584,345 B2	11/2013	Al-Ali et al.	9,517,024 B2	12/2016	Kiani et al.
8,588,880 B2	11/2013	Abdul-Hafiz et al.	9,532,722 B2	1/2017	Lamego et al.
8,630,691 B2	1/2014	Lamego et al.	9,560,996 B2	2/2017	Kiani
8,639,319 B2	1/2014	Hugh et al.	9,579,039 B2	2/2017	Jansen et al.
8,641,631 B2	2/2014	Sierra et al.	9,622,692 B2	4/2017	Lamego et al.
8,652,060 B2	2/2014	Al-Ali	D788,312 S	5/2017	Al-Ali et al.
8,663,106 B2	3/2014	Stivoric et al.	9,649,054 B2	5/2017	Lamego et al.
8,666,468 B1	3/2014	Al-Ali	9,697,928 B2	7/2017	Al-Ali et al.
			D794,803 S	8/2017	Thom
			D795,184 S *	8/2017	Jung D13/108
			9,717,458 B2	8/2017	Lamego et al.
			9,724,016 B1	8/2017	Al-Ali et al.

(56)

References Cited

U.S. PATENT DOCUMENTS

9,724,024 B2	8/2017	Al-Ali	10,532,174 B2	1/2020	Al-Ali
9,724,025 B1	8/2017	Kiani et al.	10,537,285 B2	1/2020	Shreim et al.
9,749,232 B2	8/2017	Sampath et al.	10,542,903 B2	1/2020	Al-Ali et al.
9,750,442 B2	9/2017	Olsen	10,555,678 B2	2/2020	Dalvi et al.
9,750,461 B1	9/2017	Telfort	10,568,553 B2	2/2020	O'Neil et al.
9,775,545 B2	10/2017	Al-Ali et al.	RE47,882 E	3/2020	Al-Ali
9,778,079 B1	10/2017	Al-Ali et al.	10,575,780 B2	3/2020	Van Den Ende et al.
9,782,077 B2	10/2017	Lamego et al.	10,595,726 B2	3/2020	Cronin et al.
9,787,568 B2	10/2017	Lamego et al.	10,608,817 B2	3/2020	Haider et al.
9,808,188 B1	11/2017	Perea et al.	D880,477 S	4/2020	Forrest et al.
9,839,379 B2	12/2017	Al-Ali et al.	10,617,302 B2	4/2020	Al-Ali et al.
9,839,381 B1	12/2017	Weber et al.	10,617,335 B2	4/2020	Al-Ali et al.
9,847,749 B2	12/2017	Kiani et al.	10,637,181 B2	4/2020	Al-Ali et al.
9,848,800 B1	12/2017	Lee et al.	D884,165 S *	5/2020	deBock D24/128
9,861,298 B2	1/2018	Eckerbom et al.	D887,548 S	6/2020	Abdul-Hafiz et al.
9,861,305 B1	1/2018	Weber et al.	D887,549 S	6/2020	Abdul-Hafiz et al.
9,877,650 B2	1/2018	Muhsin et al.	10,667,751 B2	6/2020	Kaskoun et al.
9,891,079 B2	2/2018	Dalvi	10,667,764 B2	6/2020	Ahmed et al.
9,907,473 B2	3/2018	Tran	D890,708 S	7/2020	Forrest et al.
9,924,897 B1	3/2018	Abdul-Hafiz	10,721,785 B2	7/2020	Al-Ali
D815,743 S	4/2018	Liao et al.	10,750,984 B2	8/2020	Pauley et al.
9,936,917 B2	4/2018	Poeze et al.	D895,122 S	9/2020	Benedikter et al.
D818,129 S	5/2018	Heine et al.	10,758,164 B2	9/2020	Derkx
9,955,937 B2	5/2018	Telfort	10,799,128 B2	10/2020	Paulussen et al.
9,955,939 B2	5/2018	Sezan et al.	2001/0034477 A1	10/2001	Mansfield et al.
9,965,946 B2	5/2018	Al-Ali et al.	2001/0039483 A1	11/2001	Brand et al.
D820,865 S	6/2018	Muhsin et al.	2002/0010401 A1	1/2002	Bushmakina et al.
9,986,952 B2	6/2018	Dalvi et al.	2002/0058864 A1	5/2002	Mansfield et al.
D822,215 S	7/2018	Al-Ali et al.	2002/0133080 A1	9/2002	Apruzzese et al.
D822,216 S	7/2018	Barker et al.	2003/0013975 A1	1/2003	Kiani
10,010,276 B2	7/2018	Al-Ali et al.	2003/0018243 A1	1/2003	Gerhardt et al.
10,062,958 B2	8/2018	Ganton et al.	2003/0144582 A1	7/2003	Cohen et al.
10,086,138 B1	10/2018	Novak, Jr.	2003/0156288 A1	8/2003	Barnum et al.
10,111,591 B2	10/2018	Dyell et al.	2003/0212312 A1	11/2003	Coffin, IV et al.
D833,624 S	11/2018	DeJong et al.	2004/0106163 A1	6/2004	Workman, Jr. et al.
10,123,729 B2	11/2018	Dyell et al.	2005/0055276 A1	3/2005	Kiani et al.
D835,282 S	12/2018	Barker et al.	2005/0107714 A1	5/2005	Matsumura et al.
D835,283 S	12/2018	Barker et al.	2005/0234317 A1	10/2005	Kiani
D835,284 S	12/2018	Barker et al.	2006/0073719 A1	4/2006	Kiani
D835,285 S	12/2018	Barker et al.	2006/0189871 A1	8/2006	Al-Ali et al.
10,143,383 B2	12/2018	Tseng et al.	2007/0073116 A1	3/2007	Kiani et al.
10,149,616 B2	12/2018	Al-Ali et al.	2007/0167850 A1	7/2007	Russell et al.
10,154,815 B2	12/2018	Al-Ali et al.	2007/0180140 A1	8/2007	Welch et al.
10,159,412 B2	12/2018	Lamego et al.	2007/0244377 A1	10/2007	Cozad et al.
10,188,348 B2	1/2019	Al-Ali et al.	2008/0064965 A1	3/2008	Jay et al.
RE47,218 E	2/2019	Al-Ali	2008/0094228 A1	4/2008	Welch et al.
RE47,244 E	2/2019	Kiani et al.	2008/0221418 A1	9/2008	Al-Ali et al.
RE47,249 E	2/2019	Kiani et al.	2008/0288026 A1	11/2008	Cross et al.
10,205,291 B2	2/2019	Scruggs et al.	2009/0036759 A1	2/2009	Ault et al.
10,226,187 B2	3/2019	Al-Ali et al.	2009/0093687 A1	4/2009	Telfort et al.
10,231,657 B2	3/2019	Al-Ali et al.	2009/0095926 A1	4/2009	MacNeish, III
10,231,670 B2	3/2019	Blank et al.	2009/0247984 A1	10/2009	Lamego et al.
RE47,353 E	4/2019	Kiani et al.	2009/0275813 A1	11/2009	Davis
D847,372 S *	4/2019	Crawford D24/227	2010/0004518 A1	1/2010	Vo et al.
10,279,247 B2	5/2019	Kiani	2010/0030040 A1	2/2010	Poeze et al.
10,292,664 B2	5/2019	Al-Ali	2010/0099964 A1	4/2010	O'Reilly et al.
10,299,720 B2	5/2019	Brown et al.	2010/0234718 A1	9/2010	Sampath et al.
10,327,337 B2	6/2019	Schmidt et al.	2010/0249542 A1	9/2010	Thijs et al.
10,327,713 B2	6/2019	Barker et al.	2010/0270257 A1	10/2010	Wachman et al.
10,332,630 B2	6/2019	Al-Ali	2011/0028806 A1	2/2011	Merritt et al.
10,383,520 B2	8/2019	Wojtczuk et al.	2011/0028809 A1	2/2011	Goodman
10,383,527 B2	8/2019	Al-Ali	2011/0040197 A1	2/2011	Welch et al.
10,388,120 B2	8/2019	Muhsin et al.	2011/0082711 A1	4/2011	Poeze et al.
D864,120 S	10/2019	Forrest et al.	2011/0087081 A1	4/2011	Kiani et al.
10,441,181 B1	10/2019	Telfort et al.	2011/0118561 A1	5/2011	Tani et al.
10,441,196 B2	10/2019	Eckerbom et al.	2011/0137297 A1	6/2011	Kiani et al.
10,448,844 B2	10/2019	Al-Ali et al.	2011/0172498 A1	7/2011	Olsen et al.
10,448,871 B2	10/2019	Al-Ali et al.	2011/0230733 A1	9/2011	Al-Ali
10,456,038 B2	10/2019	Lamego et al.	2011/0237924 A1	9/2011	McGusty et al.
10,463,340 B2	11/2019	Telfort et al.	2012/0123231 A1	5/2012	O'Reilly
10,471,159 B1	11/2019	Lapotko et al.	2012/0130204 A1	5/2012	Basta et al.
10,499,825 B2	12/2019	Solosko et al.	2012/0165629 A1	6/2012	Merritt et al.
10,505,311 B2	12/2019	Al-Ali et al.	2012/0209084 A1	8/2012	Olsen et al.
10,524,738 B2	1/2020	Olsen	2012/0226117 A1	9/2012	Lamego et al.
10,531,813 B2	1/2020	O'Neill et al.	2012/0283524 A1	11/2012	Kiani et al.
			2013/0023775 A1	1/2013	Lamego et al.
			2013/0041591 A1	2/2013	Lamego
			2013/0060147 A1	3/2013	Welch et al.
			2013/0096405 A1	4/2013	Garfio

(56)

References Cited

U.S. PATENT DOCUMENTS

2013/0296672 A1 11/2013 O'Neil et al.
 2013/0345921 A1 12/2013 Al-Ali et al.
 2014/0166076 A1 6/2014 Kiani et al.
 2014/0180160 A1 6/2014 Brown et al.
 2014/0187973 A1 7/2014 Brown et al.
 2014/0243612 A1 8/2014 Li et al.
 2014/0275871 A1 9/2014 Lamego et al.
 2014/0275872 A1 9/2014 Merritt et al.
 2014/0316217 A1 10/2014 Purdon et al.
 2014/0316218 A1 10/2014 Purdon et al.
 2014/0323897 A1 10/2014 Brown et al.
 2014/0323898 A1 10/2014 Purdon et al.
 2015/0005600 A1 1/2015 Blank et al.
 2015/0011907 A1 1/2015 Purdon et al.
 2015/0025400 A1 1/2015 Nishioka et al.
 2015/0073241 A1 3/2015 Lamego
 2015/0080754 A1 3/2015 Purdon et al.
 2015/0099950 A1 4/2015 Al-Ali et al.
 2015/0106121 A1 4/2015 Muhsin et al.
 2016/0007861 A1 1/2016 Tseng et al.
 2016/0196388 A1 7/2016 Lamego
 2016/0367173 A1 12/2016 Dalvi et al.
 2017/0024748 A1 1/2017 Haider
 2017/0042488 A1 2/2017 Muhsin
 2017/0055896 A1 3/2017 Al-Ali
 2017/0173632 A1 6/2017 Al-Ali
 2017/0251974 A1 9/2017 Shreim et al.
 2017/0296124 A1 10/2017 Creemers et al.
 2017/0311891 A1 11/2017 Kiani et al.
 2017/0360329 A1 12/2017 Derkx et al.
 2018/0049656 A1 2/2018 Paulussen et al.
 2018/0103874 A1 4/2018 Lee et al.
 2018/0125444 A1 5/2018 Kahlman et al.
 2018/0146867 A1 5/2018 Torihama et al.
 2018/0184926 A1 7/2018 Doi et al.
 2018/0235567 A1 8/2018 Bezemer et al.
 2018/0242926 A1 8/2018 Muhsin et al.
 2018/0247353 A1 8/2018 Al-Ali et al.
 2018/0247712 A1 8/2018 Muhsin et al.
 2018/0256087 A1 9/2018 Al-Ali et al.
 2018/0296161 A1 10/2018 Shreim et al.
 2018/0300919 A1 10/2018 Muhsin et al.
 2018/0310822 A1 11/2018 Indorf et al.
 2018/0310823 A1 11/2018 Al-Ali et al.
 2018/0317826 A1 11/2018 Muhsin et al.

2018/0333053 A1 11/2018 Verkruijsse et al.
 2018/0360373 A1 12/2018 Aarts et al.
 2019/0015023 A1 1/2019 Monfre
 2019/0117070 A1 4/2019 Muhsin et al.
 2019/0142280 A1 5/2019 Bongers et al.
 2019/0200941 A1 7/2019 Chandran et al.
 2019/0239787 A1 8/2019 Pauley et al.
 2019/0298195 A1 10/2019 De Groot et al.
 2019/0320906 A1 10/2019 Olsen
 2019/0374139 A1 12/2019 Kiani et al.
 2019/0374173 A1 12/2019 Kiani et al.
 2019/0374713 A1 12/2019 Kiani et al.
 2020/0021930 A1 1/2020 Iswanto et al.
 2020/0060869 A1 2/2020 Telfort et al.
 2020/0069281 A1 3/2020 Chan et al.
 2020/0085310 A1 3/2020 Zahner et al.
 2020/0086133 A1 3/2020 Wang et al.
 2020/0111552 A1 4/2020 Ahmed
 2020/0113435 A1 4/2020 Muhsin
 2020/0113488 A1 4/2020 Al-Ali et al.
 2020/0113496 A1 4/2020 Scruggs et al.
 2020/0113497 A1 4/2020 Triman et al.
 2020/0113520 A1 4/2020 Abdul-Hafiz et al.
 2020/0138288 A1 5/2020 Al-Ali et al.
 2020/0138368 A1 5/2020 Kiani et al.
 2020/0163597 A1 5/2020 Dalvi et al.
 2020/0196877 A1 6/2020 Vo et al.
 2020/0253474 A1 8/2020 Muhsin et al.
 2020/0253544 A1 8/2020 Belur Nagaraj et al.
 2020/0345252 A1 11/2020 Huijbregts et al.

FOREIGN PATENT DOCUMENTS

EP 3 566 644 11/2019
 EP 3 578 096 12/2019
 EP 3 598 950 1/2020
 EP 3 626 159 3/2020
 WO WO 2010/020945 2/2010
 WO WO 2013/124750 8/2013
 WO WO 2017/093150 6/2017
 WO WO 2020/002133 1/2020
 WO WO 2020/002290 1/2020
 WO WO 2020/002461 1/2020
 WO WO 2020/078842 4/2020
 WO WO 2020/078962 4/2020
 WO WO 2020/214826 10/2020
 WO WO 2020/216694 10/2020

* cited by examiner

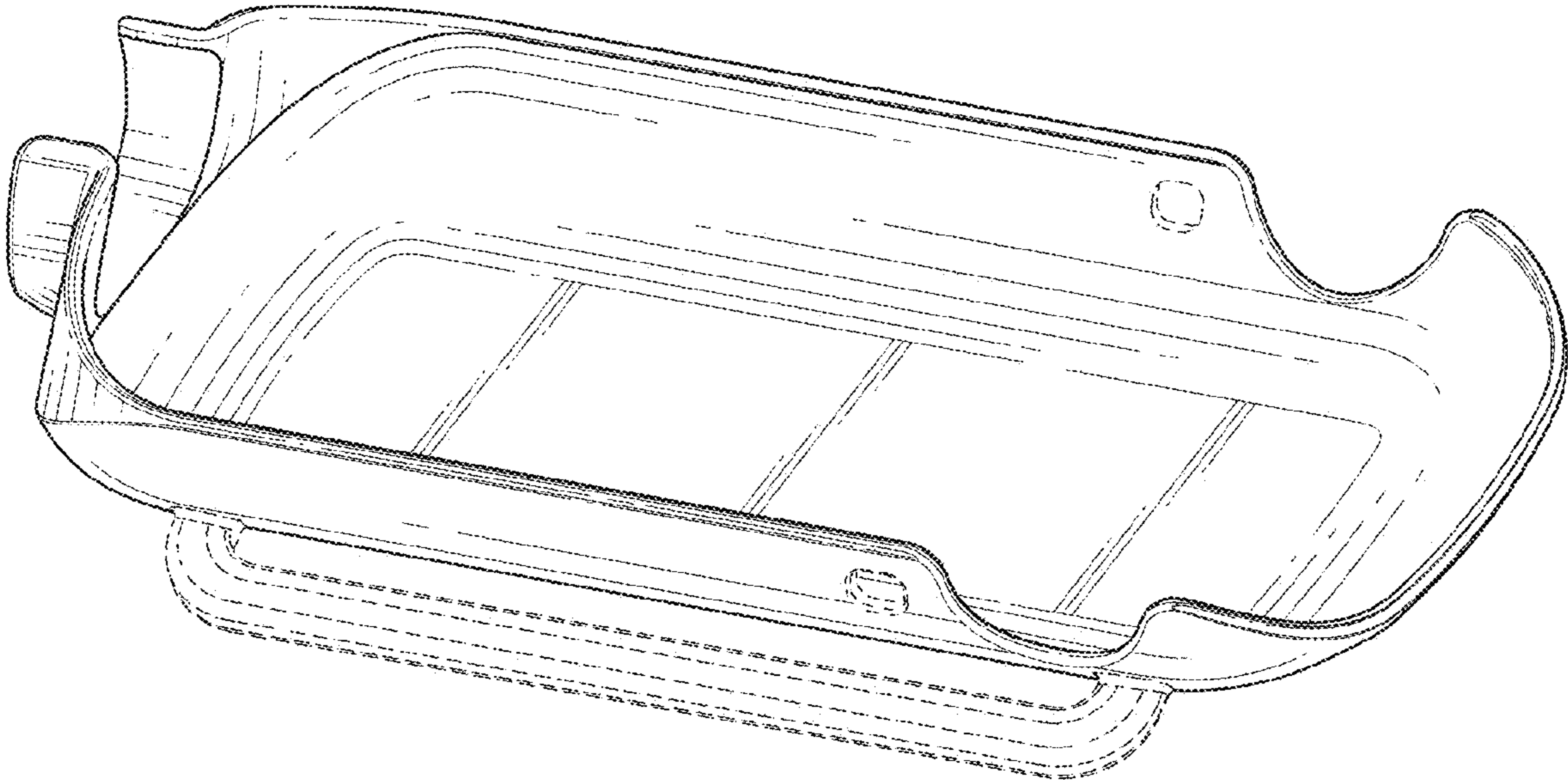


FIG. 1

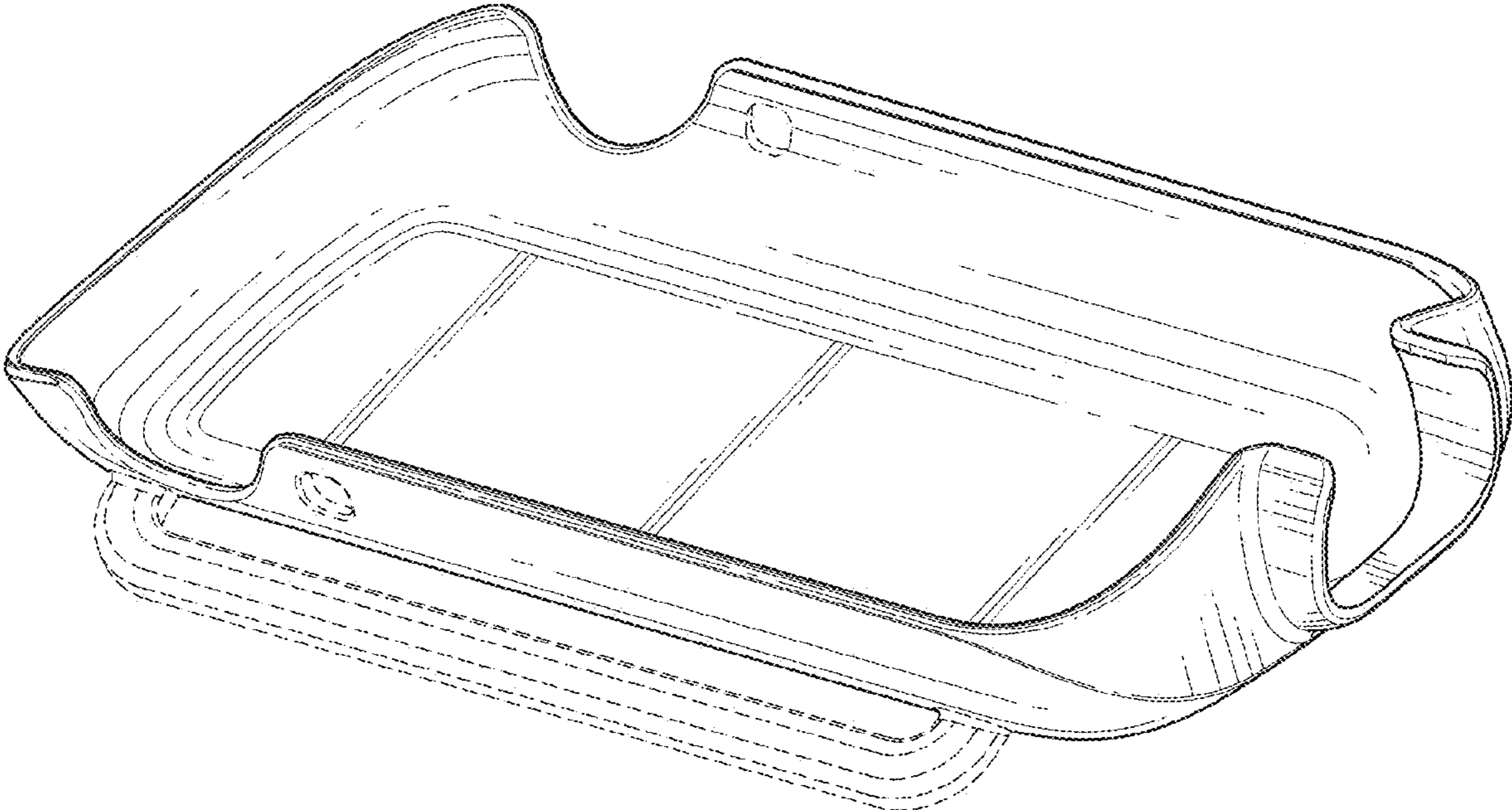


FIG. 2

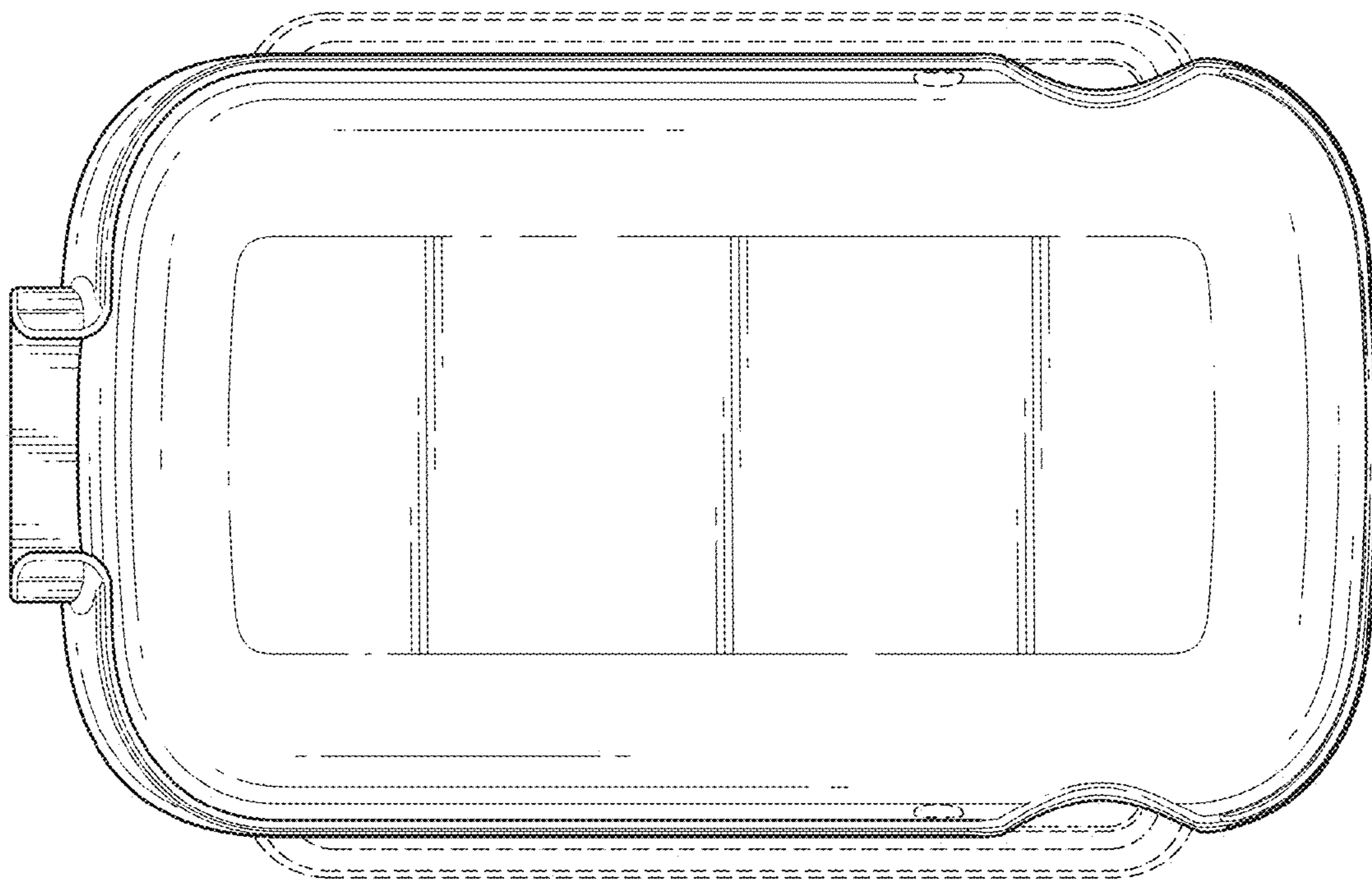


FIG. 3

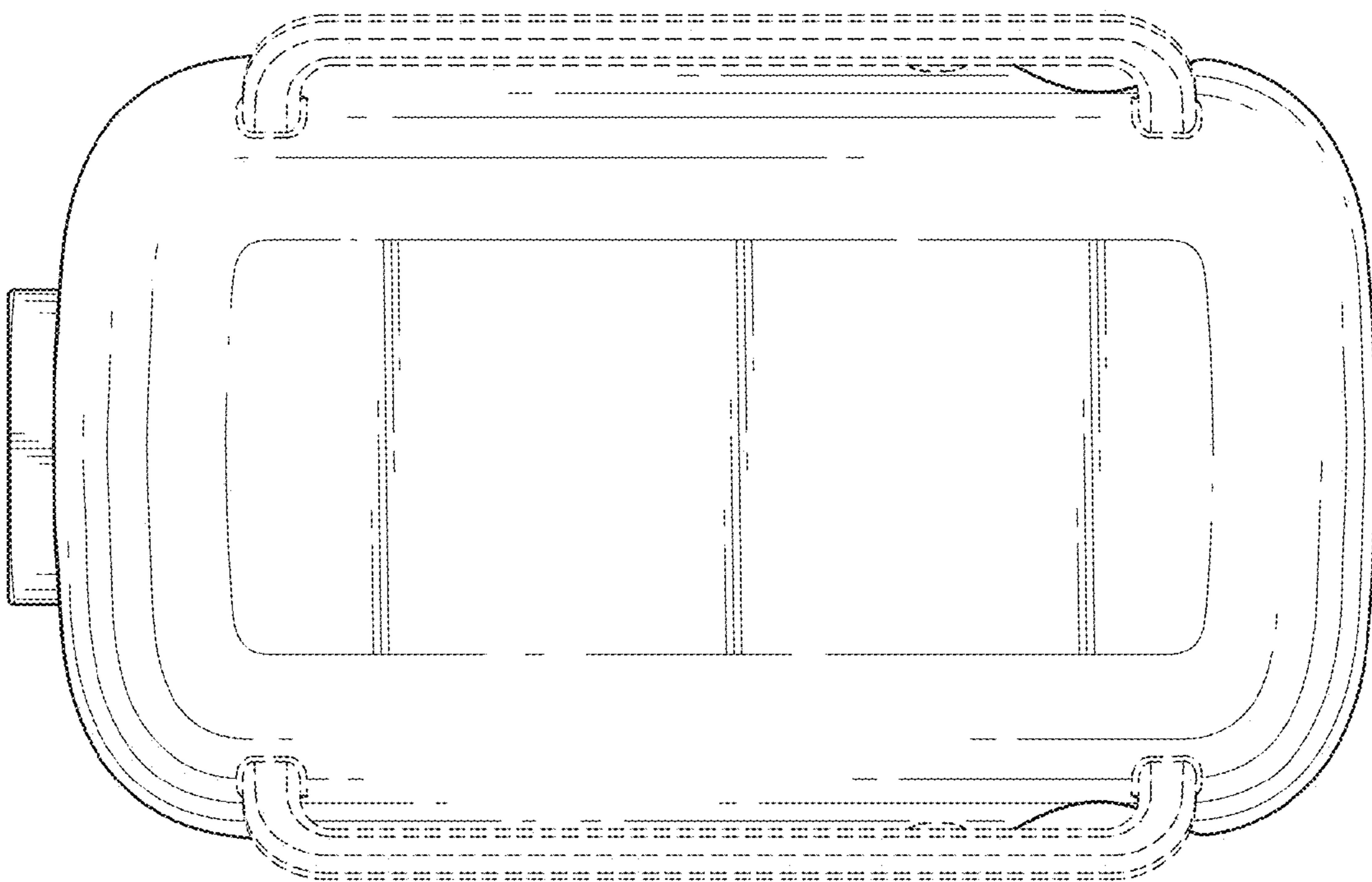


FIG. 4

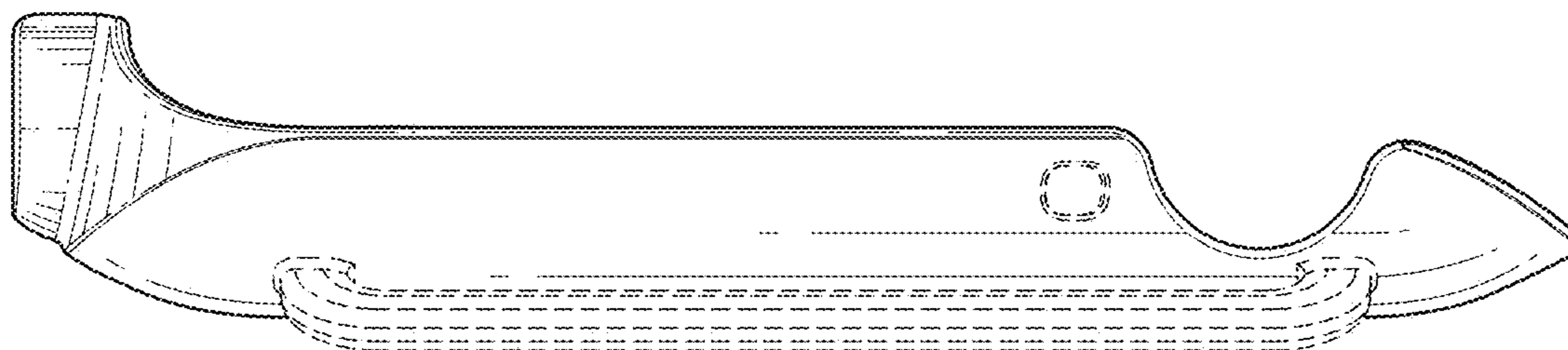


FIG. 5

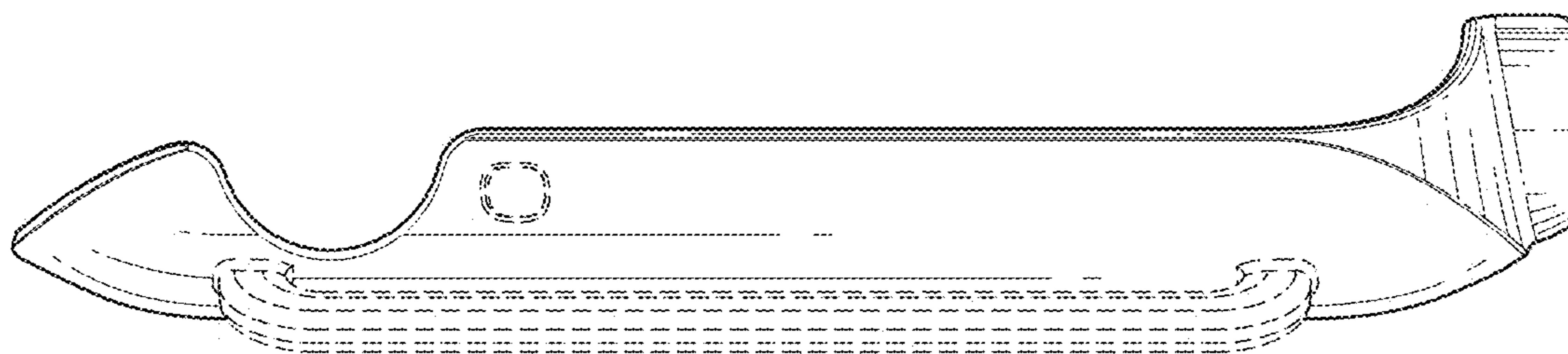


FIG. 6

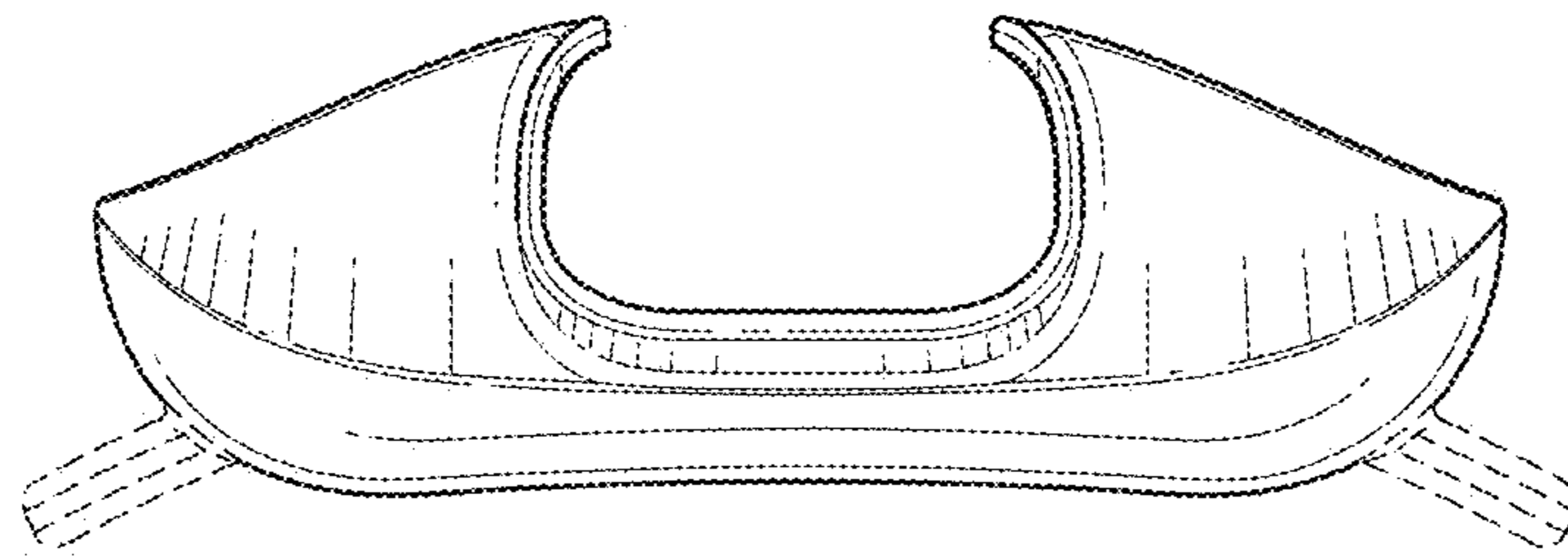


FIG. 7

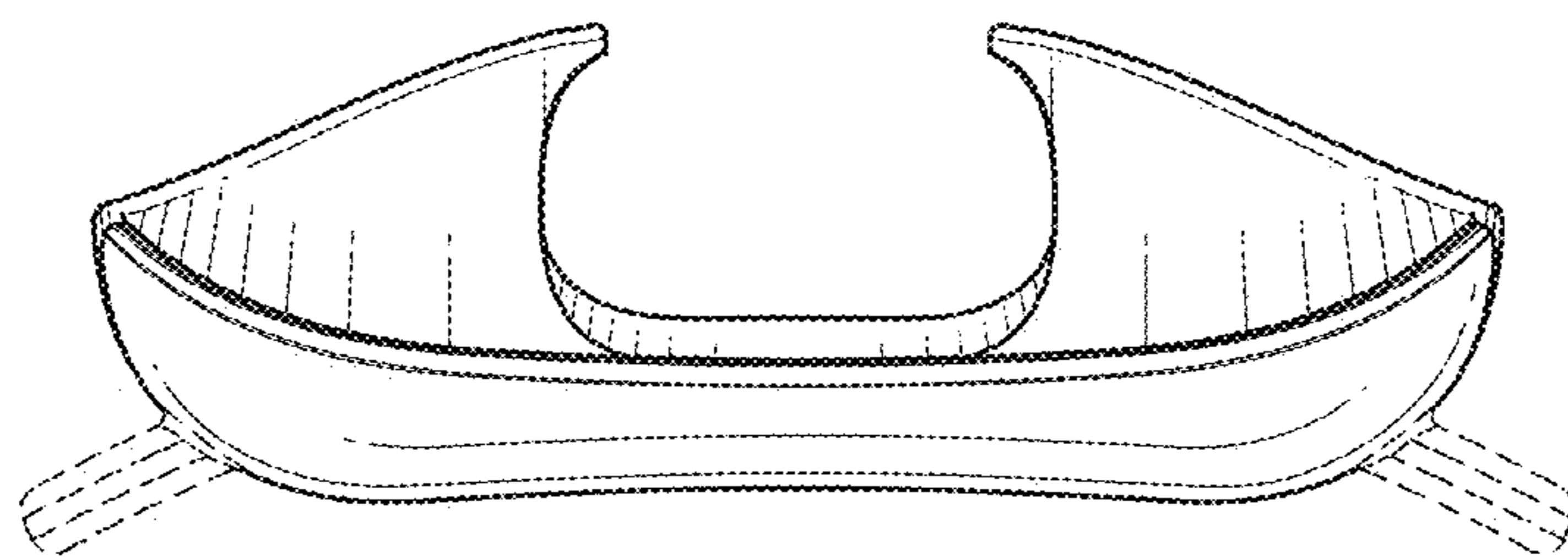


FIG. 8

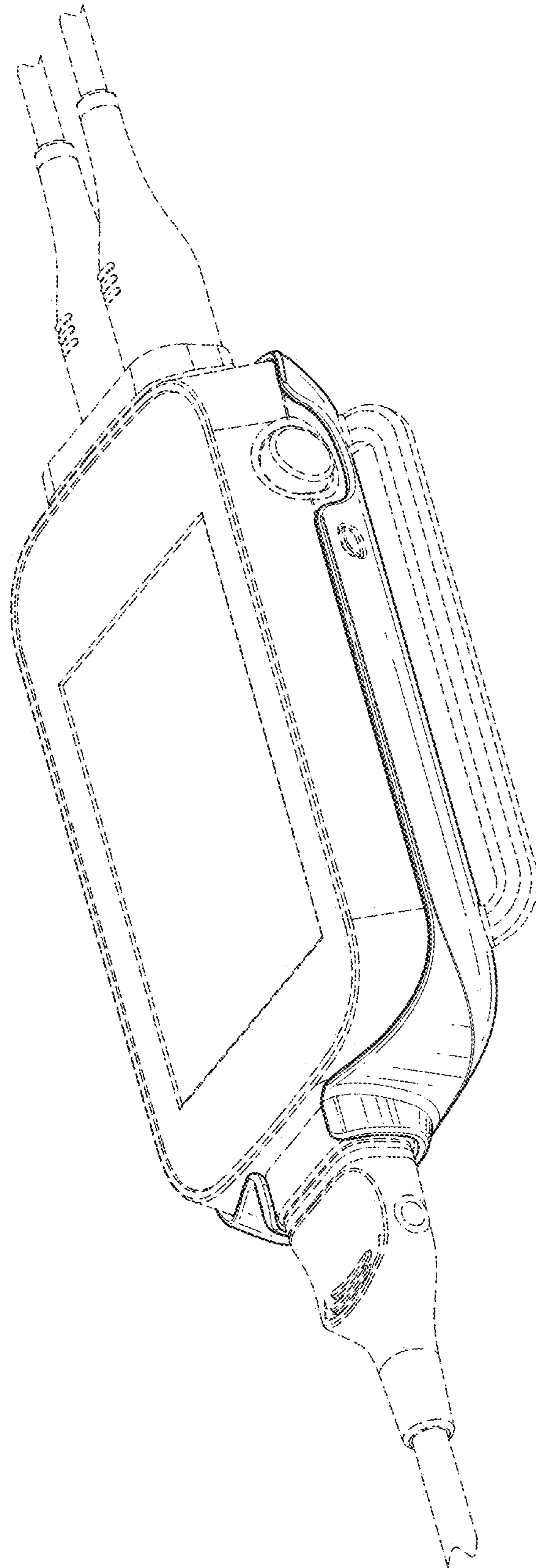


FIG. 9