

US00D919098S

(12) **United States Design Patent** (10) **Patent No.:** **US D919,098 S**  
**Couch et al.** (45) **Date of Patent:** **\*\* May 11, 2021**

(54) **MOBILE CART WITH MONITOR MOUNT**

B62B 3/027; B62B 5/0438; B62B 1/04;  
B62B 1/042; B62B 1/208; B62B 2205/32;  
B62B 1/22; B62B 3/0606; B62B  
2200/432

(71) Applicant: **Midmark Corporation**, Versailles, OH  
(US)

See application file for complete search history.

(72) Inventors: **Michael C. Couch**, Troy, OH (US);  
**Daniel A. Albers**, New Weston, OH  
(US); **Connor James Osowski**, Dayton,  
OH (US); **Darin Gregory Whittington**,  
Versailles, OH (US); **Jeffrey T.  
DeBord**, Worthington, OH (US);  
**Rainer Bernhard Teufel**, Worthington,  
OH (US); **Todd Linthicum**, Bexley,  
OH (US); **Jay F. Perkins**, Pickerington,  
OH (US); **David Simpson**,  
Worthington, OH (US); **Calin  
Constantin Solomon**, Columbus, OH  
(US)

(56) **References Cited**

U.S. PATENT DOCUMENTS

D632,796	S *	2/2011	Ross	.....	D24/185
D657,470	S *	4/2012	Schon et al.		
8,292,807	B2 *	10/2012	Perkins	.....	A61B 90/50 600/301
9,027,940	B2	5/2015	Ergun et al.		
D739,538	S *	9/2015	Bernal	.....	D24/185
9,155,682	B2	10/2015	Boyd		
D786,522	S *	5/2017	Houlihan	.....	B62B 3/008 D34/14
10,426,261	B2	10/2019	Theis et al.		
D894,402	S *	8/2020	Couch	.....	D24/185

(Continued)

*Primary Examiner* — Gino Colan

(74) *Attorney, Agent, or Firm* — Frost Brown Todd LLC

(73) Assignee: **Midmark Corporation**, Versailles, OH  
(US)

(\*\*) Term: **15 Years**

(21) Appl. No.: **29/744,088**

(22) Filed: **Jul. 27, 2020**

**Related U.S. Application Data**

(63) Continuation of application No. 29/663,355, filed on  
Sep. 14, 2018, now Pat. No. Des. 894,402.

(51) **LOC (13) Cl.** ..... **24-02**

(52) **U.S. Cl.**  
USPC ..... **D24/185**

(58) **Field of Classification Search**  
USPC ..... D34/12-14, 16, 17, 19-23, 25-27;  
D24/185, 186  
CPC ..... A61G 12/001; A61G 2203/20; A61G  
13/105; A61G 1/013; A61B 50/13; A61B  
50/20; B62B 2202/56; B62B 1/12; B62B  
3/02; B62B 1/16; B62B 1/20; B62B  
2205/006; B62B 2206/006; B62B 3/002;

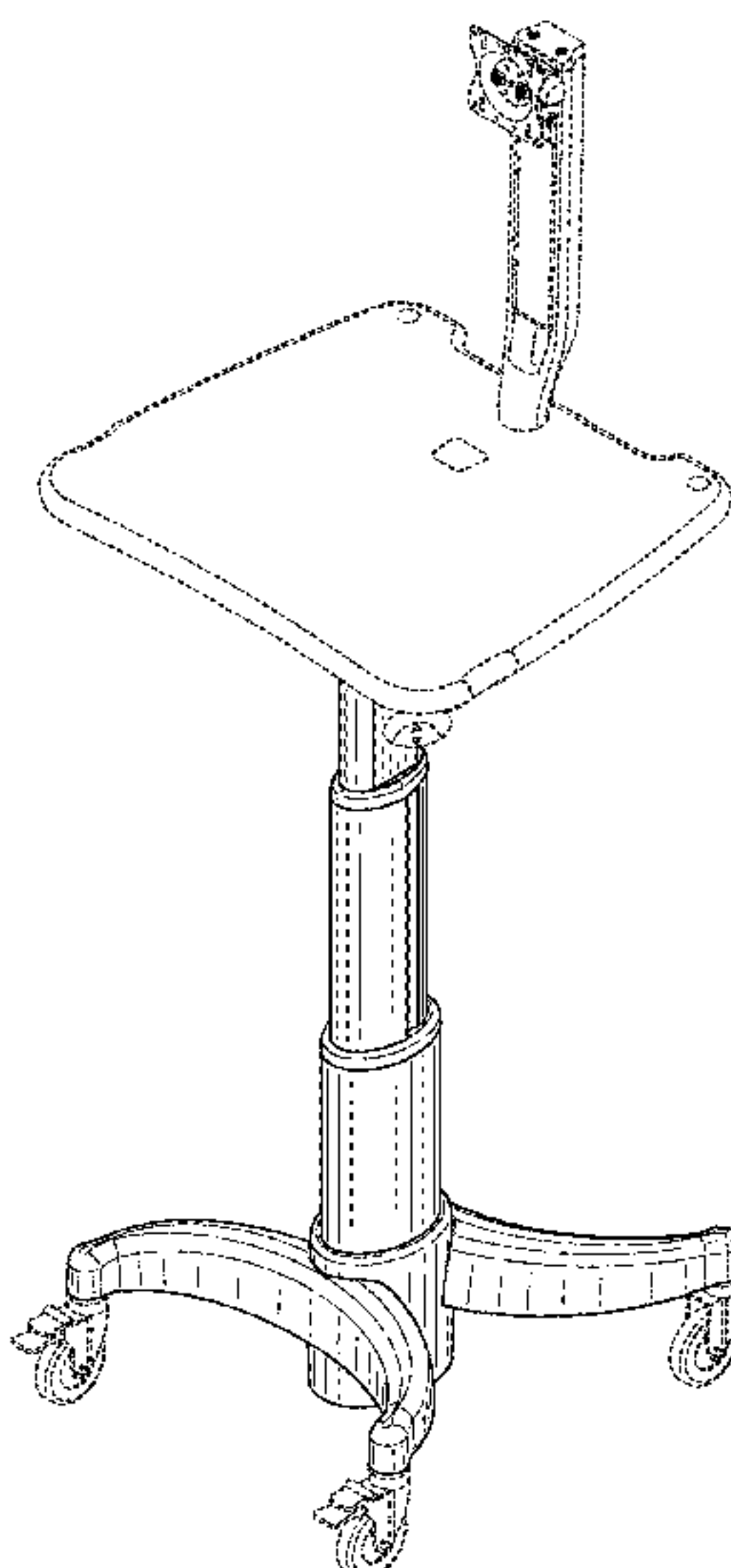
(57) **CLAIM**

The ornamental design for a mobile cart with monitor  
mount, as shown and described.

**DESCRIPTION**

FIG. 1 is a perspective view of a mobile cart with monitor  
mount showing our new design;  
FIG. 2 is a front elevational view thereof;  
FIG. 3 is a back elevational view thereof;  
FIG. 4 is a left elevational view thereof;  
FIG. 5 is a right elevational view thereof;  
FIG. 6 is a top plan view thereof; and,  
FIG. 7 is a bottom plan view thereof.  
The broken lines shown in the drawings depicting protru-  
sions, recesses and other features illustrate environment that  
forms no part of the claimed design.

**1 Claim, 7 Drawing Sheets**



(56)

**References Cited**

U.S. PATENT DOCUMENTS

D894,403 S \* 8/2020 Couch ..... D24/185  
10,813,450 B2 \* 10/2020 Albers ..... A47B 9/12  
2010/0148458 A1 6/2010 Ross et al.  
2011/0042911 A1 2/2011 Kozlowski, Jr. et al.

\* cited by examiner

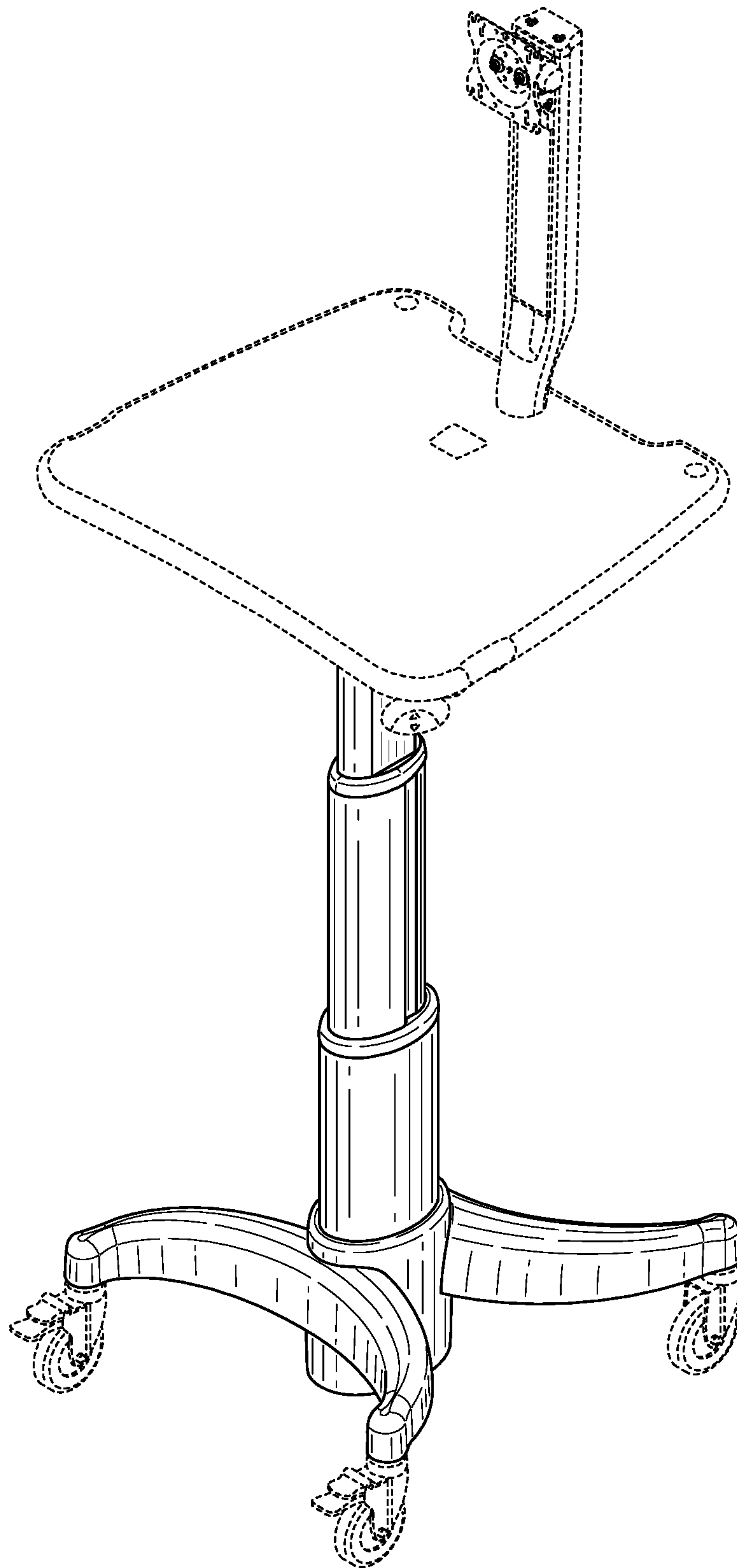


FIG. 1

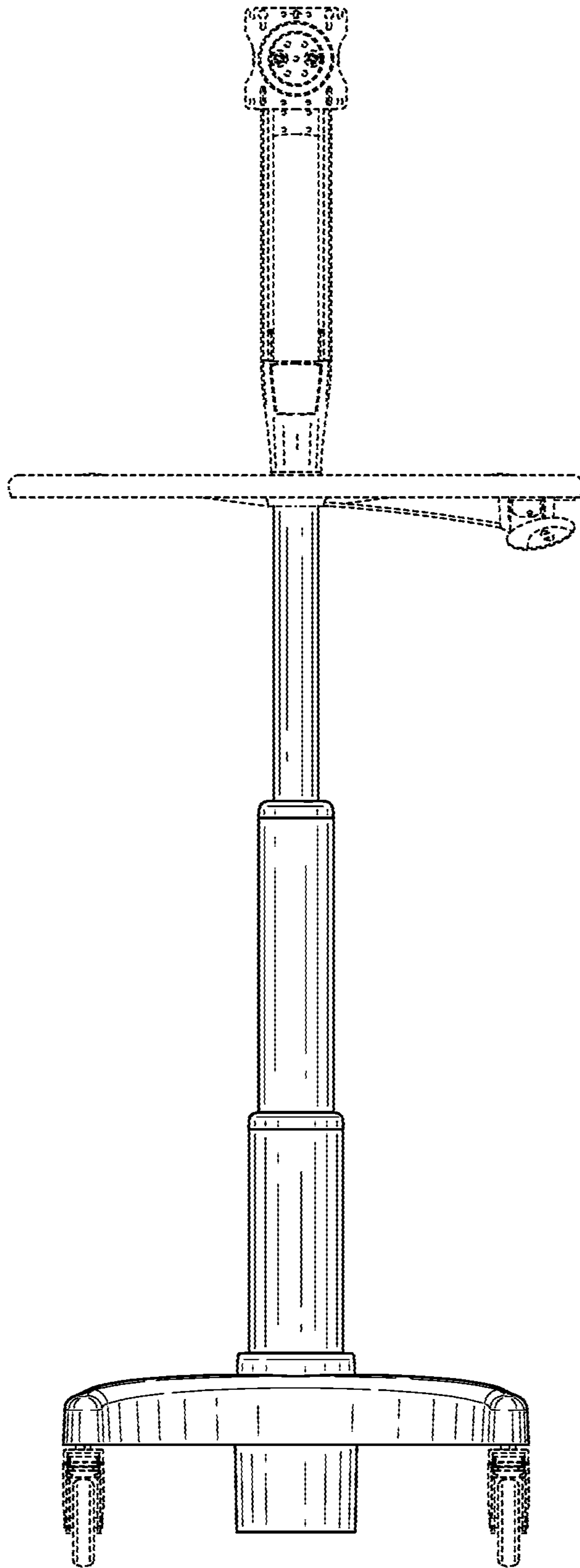


FIG. 2

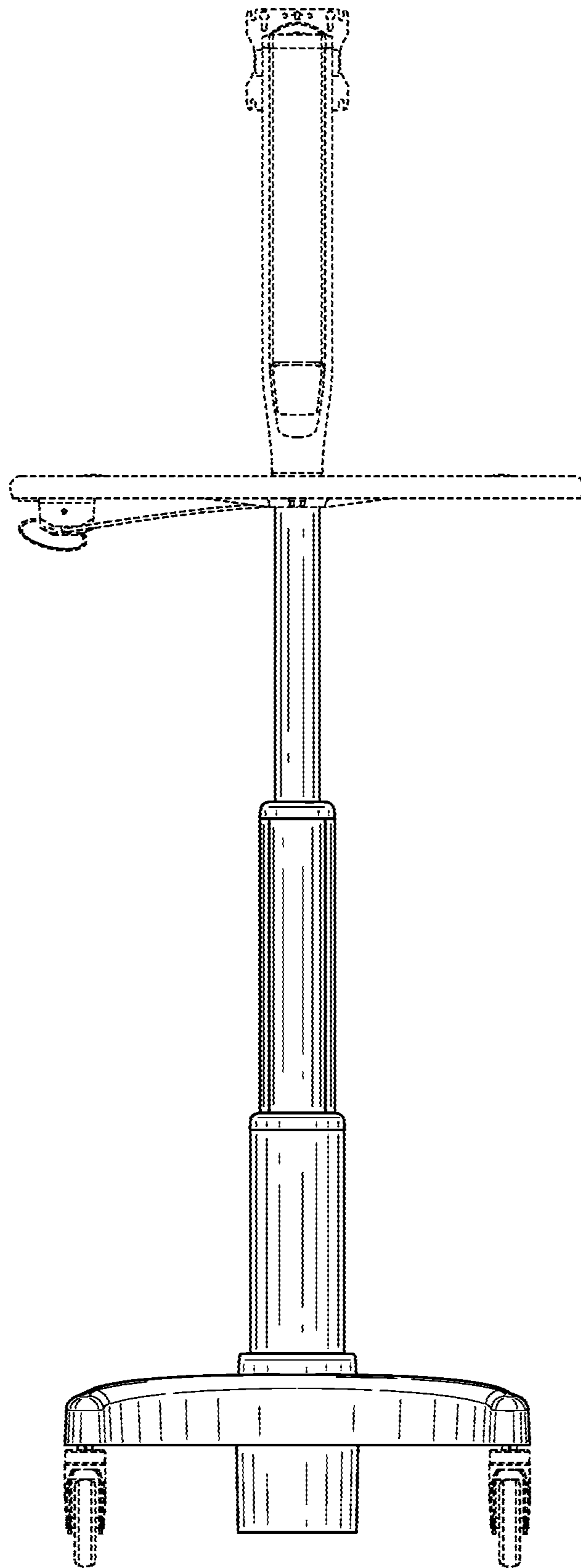


FIG. 3

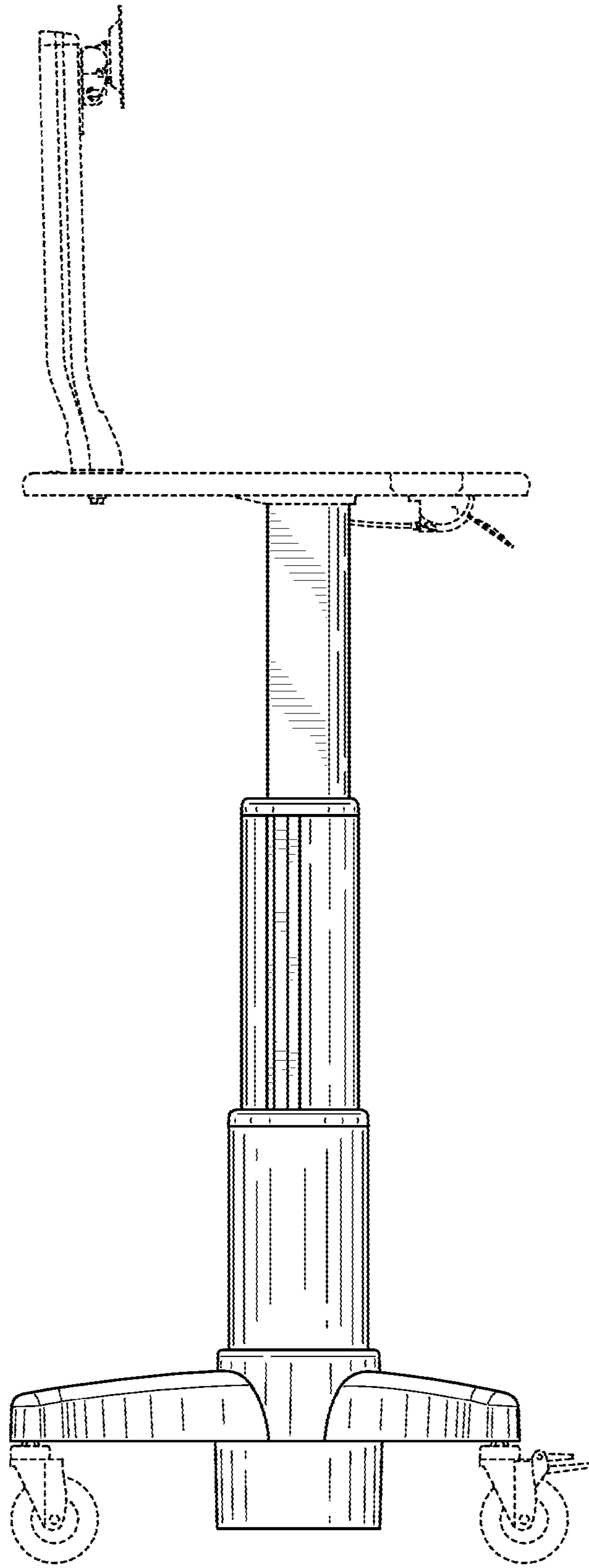


FIG. 4



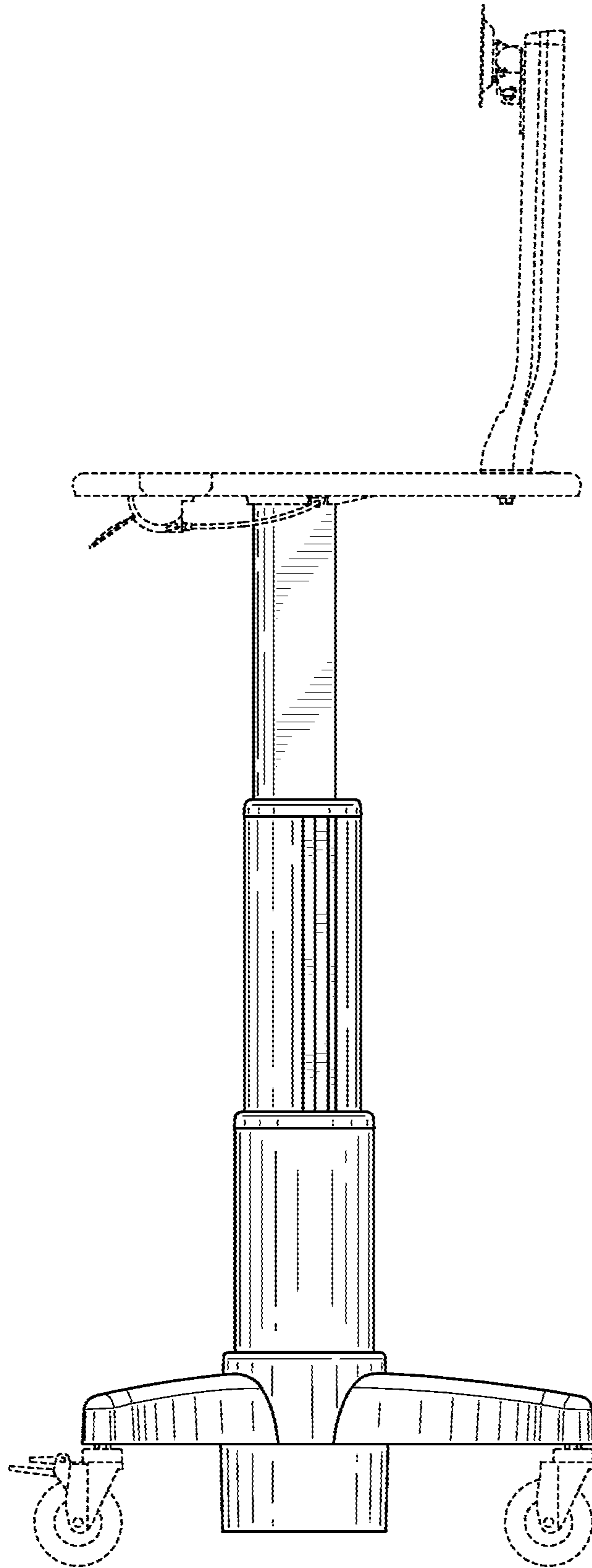
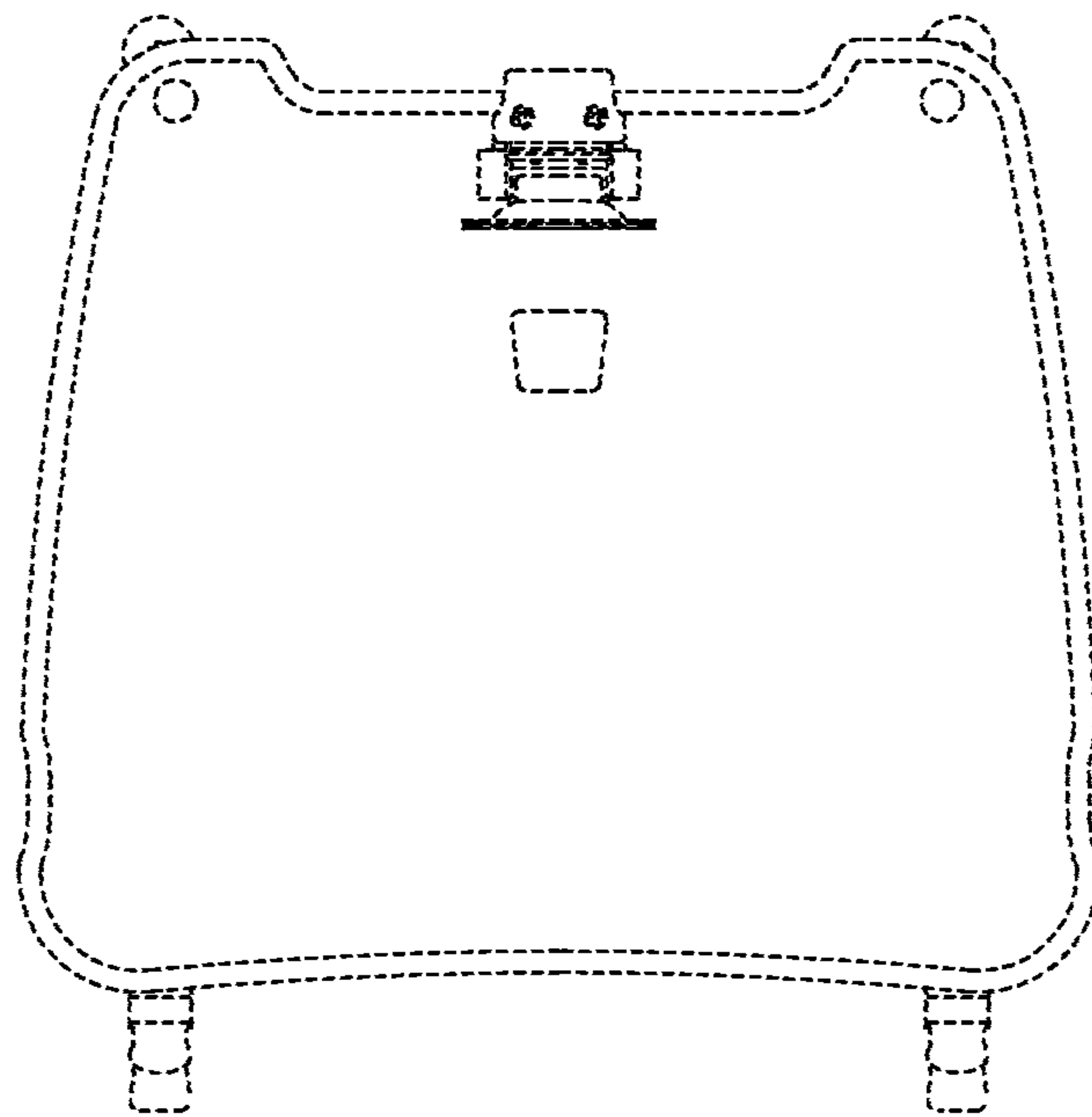


FIG. 5



**FIG. 6**



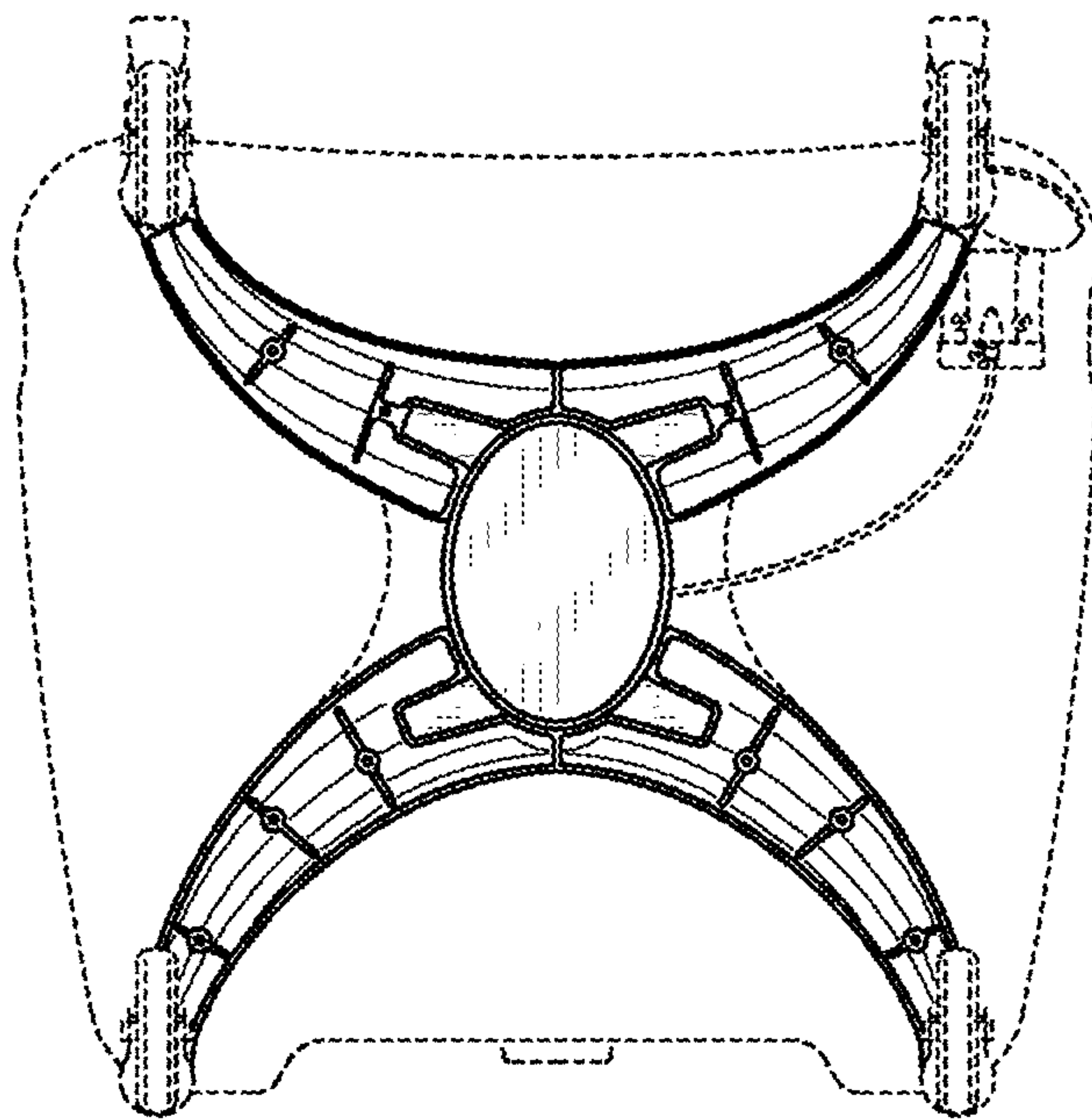


FIG. 7