



US00D919097S

(12) **United States Design Patent**
Voudouris

(10) **Patent No.:** **US D919,097 S**
(45) **Date of Patent:** **** May 11, 2021**

- (54) **ORTHODONTIC DISTALIZER**
- (71) Applicant: **Spartan Orthodontics Inc.**, Toronto (CA)
- (72) Inventor: **John Voudouris**, Toronto (CA)
- (73) Assignee: **Spartan Orthodontics Inc.**, Toronto (CA)
- (**) Term: **15 Years**
- (21) Appl. No.: **29/687,426**
- (22) Filed: **Apr. 12, 2019**
- (51) **LOC (13) Cl.** **24-02**
- (52) **U.S. Cl.**
USPC **D24/180**
- (58) **Field of Classification Search**
USPC D24/152-154, 176-182, 155, 156, D24/227-229, 234, 133-135, 144-146, D24/151, 107, 108, 110.5, 184, 185, 209, D24/210, 223-226, 230; D29/108; D6/513, 514, 515
CPC .. A61C 5/00; A61C 5/12; A61C 5/122; A61C 5/125; A61C 5/127; A61C 7/00; A61C 7/18; A61C 15/00; A61C 15/04; A61C 15/043; A61C 17/04; A61C 17/88; A61C 7/10; A61C 7/16; A61C 7/36; A61C 7/145; A61C 7/148; A61C 19/06; A61C 19/063; A61C 19/066; A61B 50/00; A61B 50/30; A61B 50/31; A61N 5/06; A61N 5/0603; A61N 5/0613; A61N 2005/0606
See application file for complete search history.

(56) **References Cited**

U.S. PATENT DOCUMENTS

- 4,045,871 A * 9/1977 Nelson A61C 7/10 433/7
- 5,564,920 A * 10/1996 Klapper A61C 7/10 433/7

- 5,904,479 A * 5/1999 Staples A61C 7/10 433/7
- 6,241,517 B1 * 6/2001 Williams A61C 7/10 433/19
- 6,328,745 B1 * 12/2001 Ascherman A61B 17/663 433/7
- 6,402,510 B1 * 6/2002 Williams A61C 7/10 433/18
- D545,445 S * 6/2007 Klein D24/200
- D555,242 S * 11/2007 Massad D24/152
- D595,852 S * 7/2009 Wilkens D24/152
- D617,455 S * 6/2010 Mori D24/135
- D669,176 S * 10/2012 Frey A61B 17/1757 D24/140
- D671,641 S * 11/2012 Fritzinger D24/135
- 8,882,499 B2 * 11/2014 White A61C 7/00 433/18
- 9,011,145 B2 * 4/2015 Hang A61C 7/00 433/7

(Continued)

Primary Examiner — T Chase Nelson
Assistant Examiner — Kelly L Gross
(74) *Attorney, Agent, or Firm* — McMillan LLP

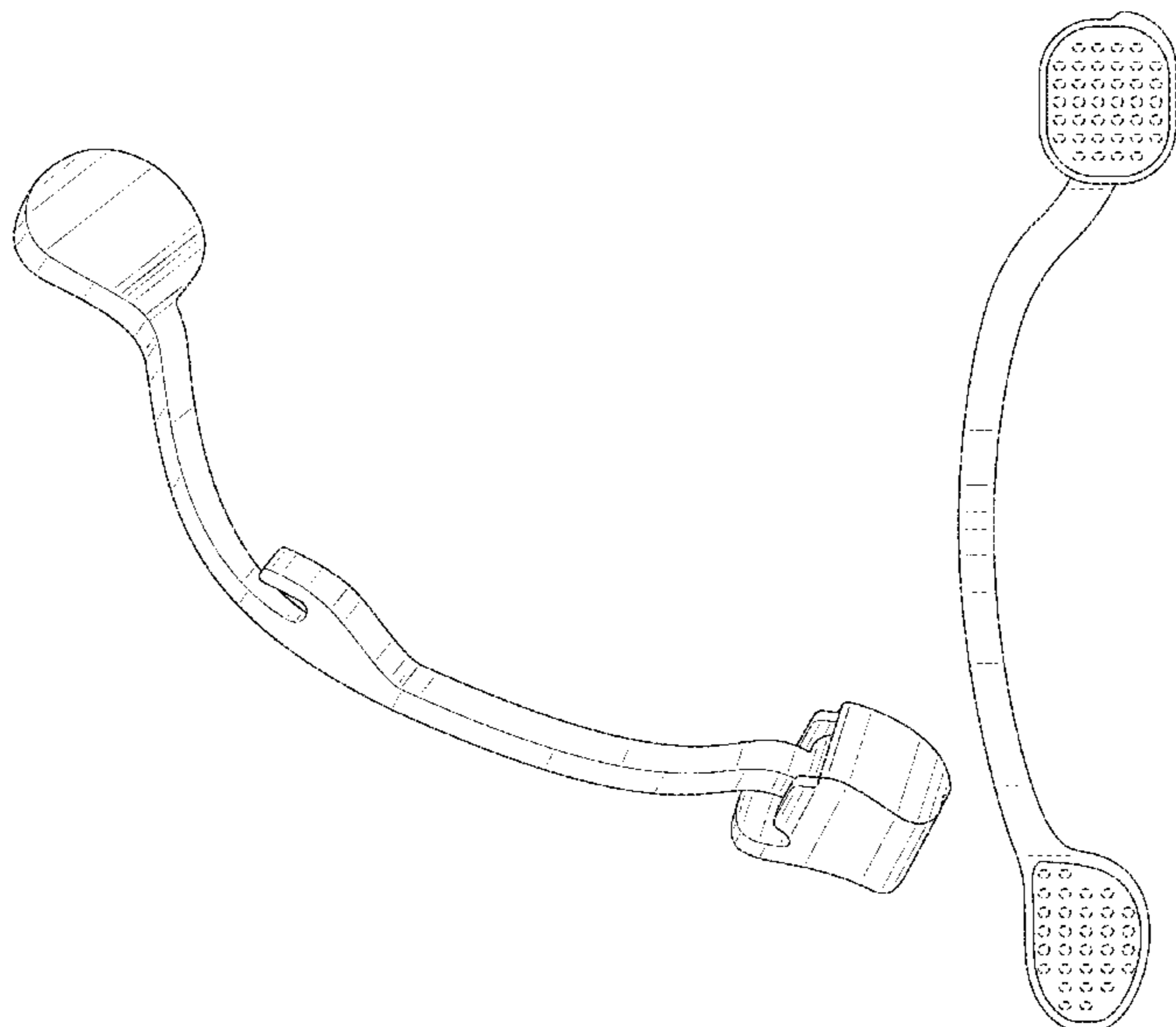
(57) **CLAIM**

The ornamental design for an orthodontic distalizer, as shown.

DESCRIPTION

FIG. 1 is a perspective view of an orthodontic distalizer showing my new design;
FIG. 2 is a left side elevational view thereof;
FIG. 3 is a right side elevational view thereof;
FIG. 4 is a top plan view thereof;
FIG. 5 is a bottom plan view thereof;
FIG. 6 is a front elevational view thereof; and,
FIG. 7 is a rear elevational view thereof.
The broken lines of FIG. 7 illustrate portions of the orthodontic distalizer that form no part of the claimed design.

1 Claim, 4 Drawing Sheets



(56)

References Cited

U.S. PATENT DOCUMENTS

9,072,568 B2 * 7/2015 Kook A61C 7/18
 D738,513 S * 9/2015 Coreil D24/180
 D746,462 S * 12/2015 Mujwid D24/155
 D751,208 S * 3/2016 Voudouris D24/180
 9,351,810 B2 * 5/2016 Moon A61C 7/10
 D764,058 S * 8/2016 Howard D24/152
 9,402,696 B2 * 8/2016 Radmall A61C 7/34
 D767,760 S * 9/2016 Suwito D24/141
 D784,531 S * 4/2017 Malcolm D24/135
 D799,041 S * 10/2017 Kim D24/152
 D802,145 S * 11/2017 Voudouris D24/180
 D803,404 S * 11/2017 Longley D24/176
 D812,225 S * 3/2018 Kaupp D24/154
 10,004,574 B2 * 6/2018 Yousefian A61C 7/10
 D829,904 S * 10/2018 Piferi D24/140
 D846,122 S * 4/2019 Pintor D24/140
 D850,619 S * 6/2019 Saubers D24/154
 D857,209 S * 8/2019 Day D24/181
 10,413,386 B2 * 9/2019 Moon A61C 7/10
 10,478,270 B2 * 11/2019 Yousefian A61C 7/282
 D870,293 S * 12/2019 Yukita D24/180
 D881,382 S * 4/2020 Chang D24/110.5
 10,646,308 B2 * 5/2020 Yousefian A61C 7/10
 2002/0031741 A1 * 3/2002 Williams A61C 7/36
 433/19

2002/0172909 A1 * 11/2002 Williams A61C 7/10
 433/19
 2005/0032015 A1 * 2/2005 McSurdy, Jr. A61C 7/10
 433/7
 2010/0261130 A1 * 10/2010 Williams A61C 7/10
 433/7
 2012/0109051 A1 * 5/2012 Harrell A61F 5/0006
 604/77
 2013/0071802 A1 * 3/2013 Lee A61C 7/20
 433/7
 2014/0170585 A1 * 6/2014 Parker A61C 7/22
 433/7
 2016/0008094 A1 * 1/2016 Jessop A61C 5/90
 433/140
 2016/0081768 A1 * 3/2016 Kopelman A61C 7/10
 433/6
 2016/0120622 A1 * 5/2016 Montalban A61C 7/10
 433/7
 2017/0007367 A1 * 1/2017 Li A61C 7/08
 2017/0304108 A1 * 10/2017 Simonetti A61C 7/08
 2018/0153649 A1 * 6/2018 Wu G16H 50/50
 2018/0318048 A1 * 11/2018 Voudouris A61C 7/282
 2018/0333227 A1 * 11/2018 Haas A61C 7/10
 2019/0159872 A1 * 5/2019 Atlan A61C 7/10
 2019/0159873 A1 * 5/2019 Kaveh A61C 8/0096

* cited by examiner

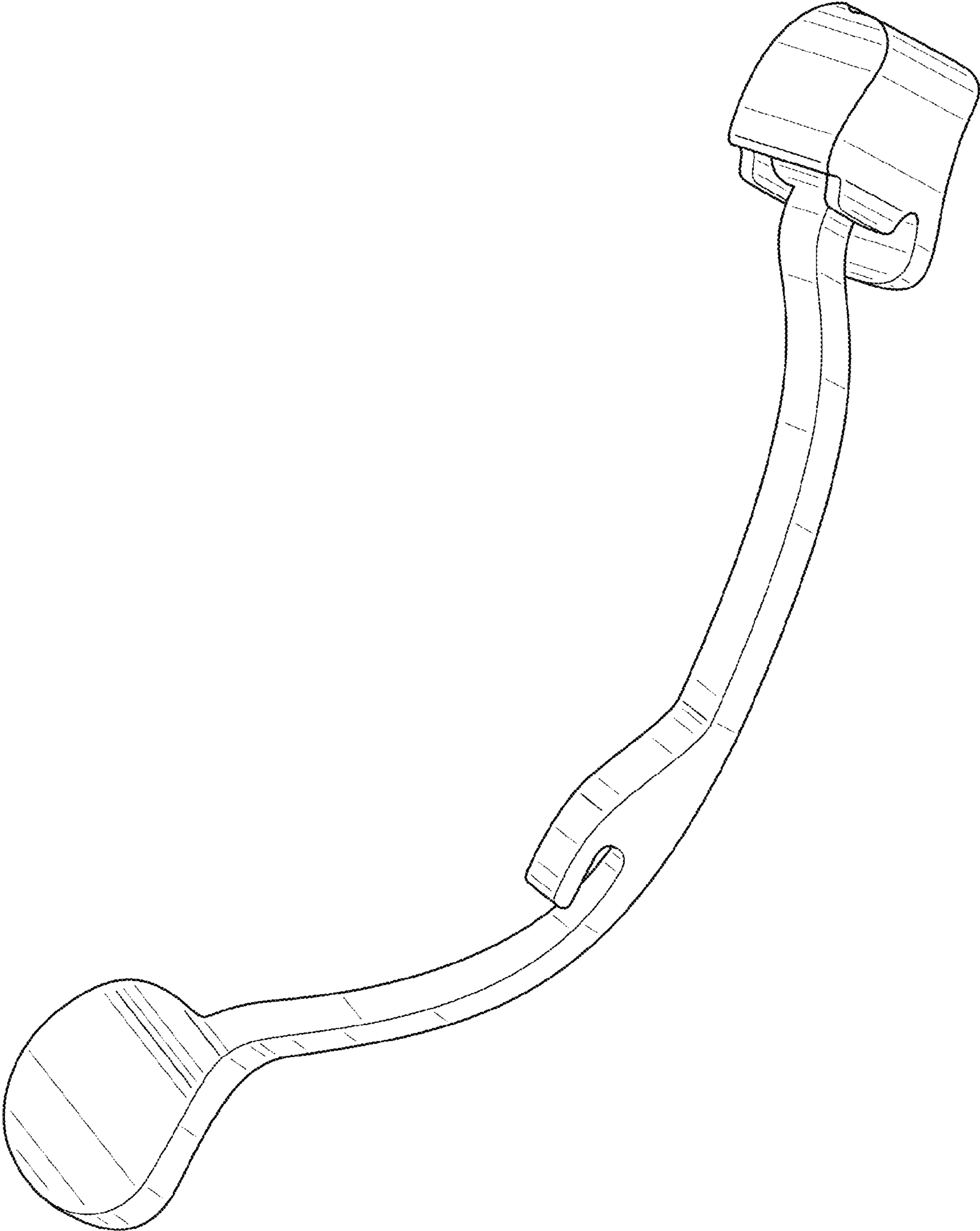


FIG. 1

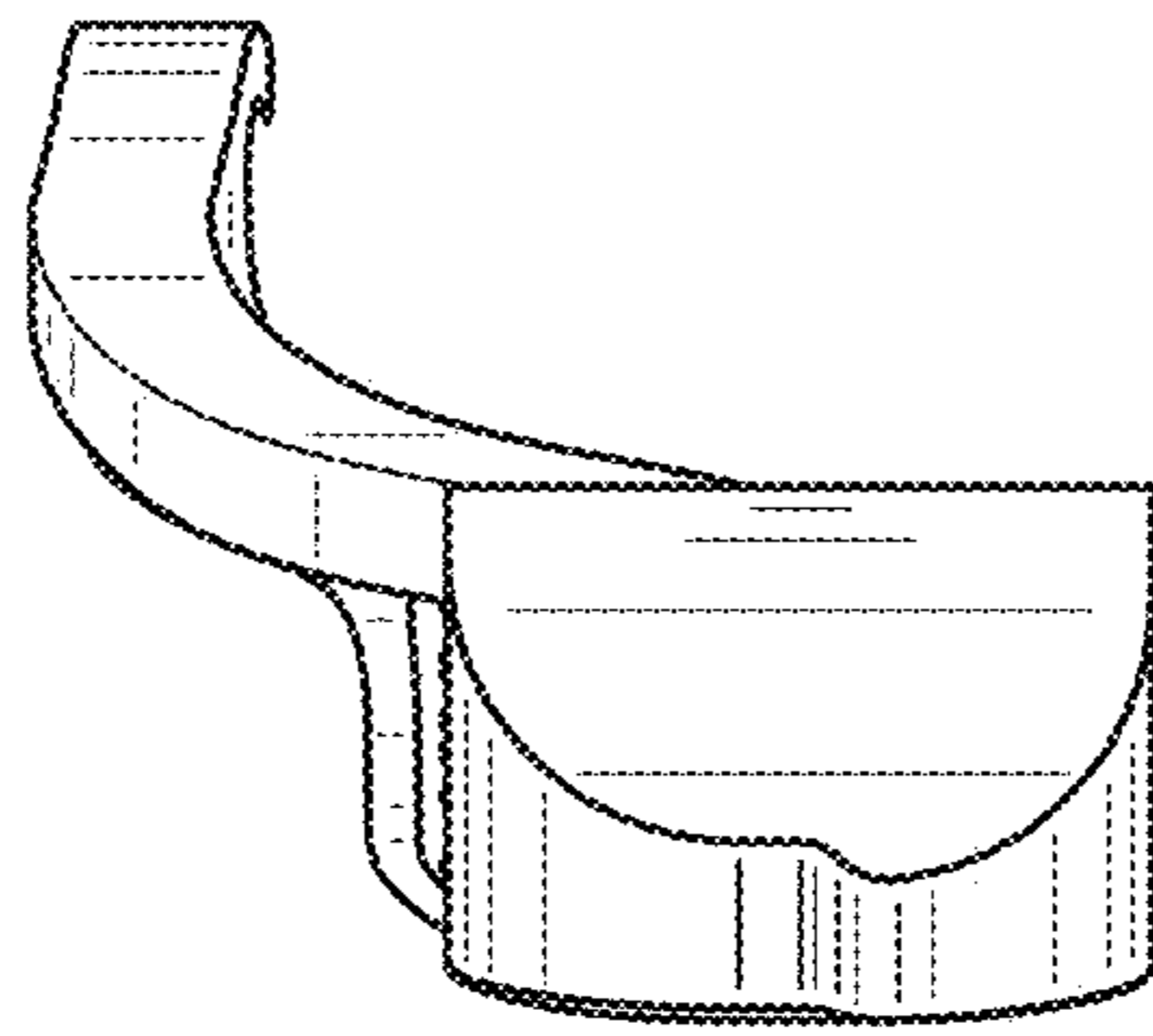


FIG. 2

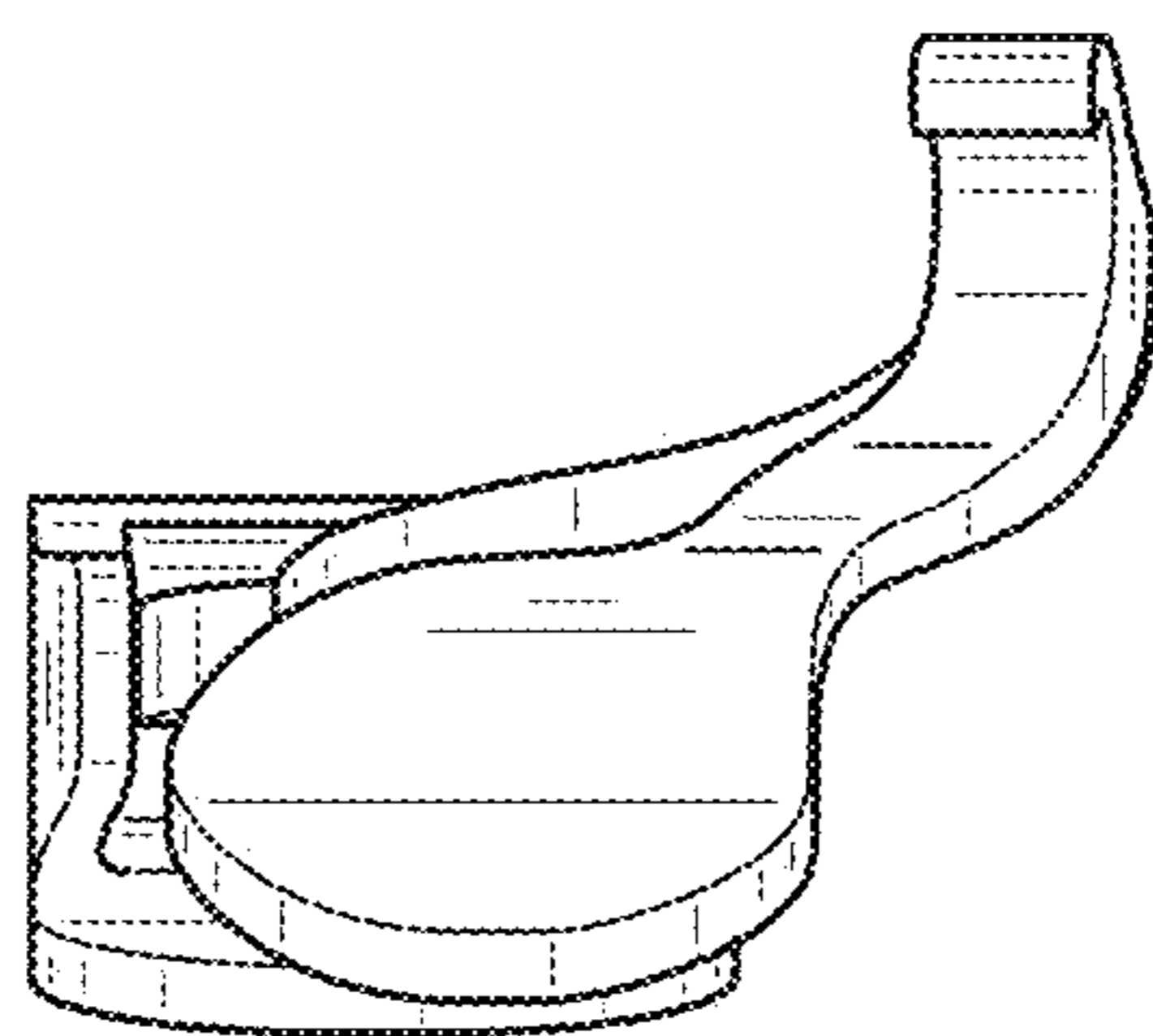


FIG. 3

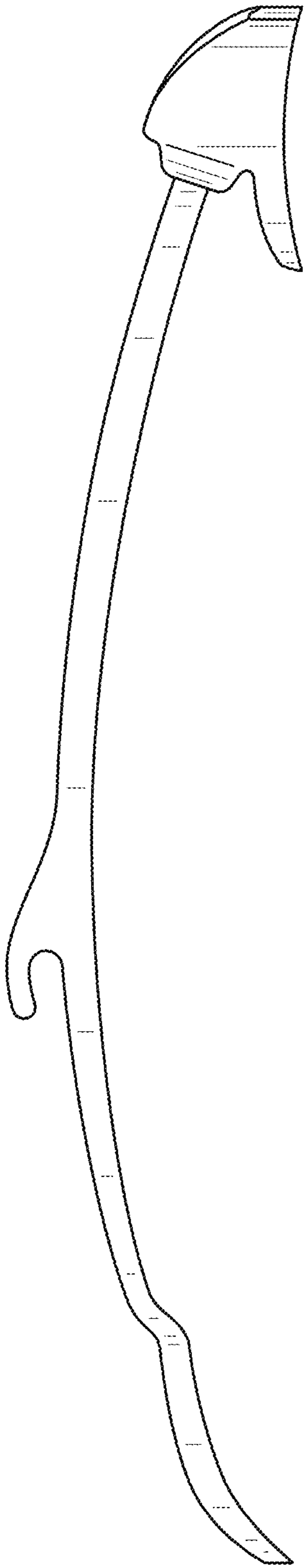


FIG. 4

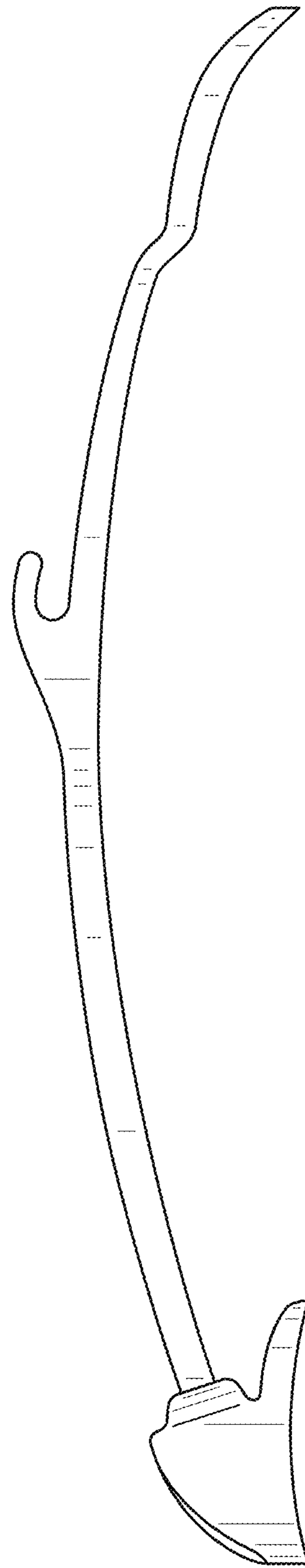


FIG. 5

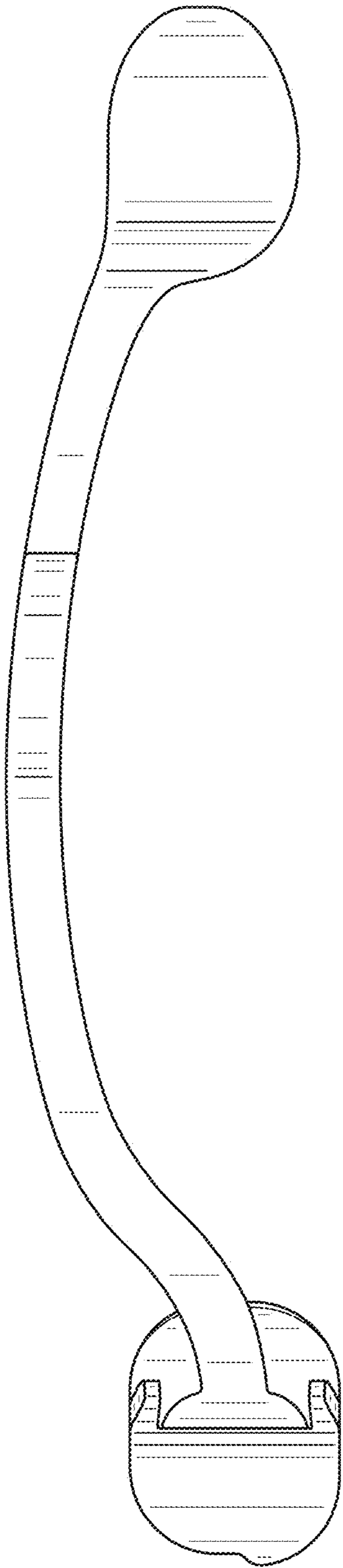


FIG. 6

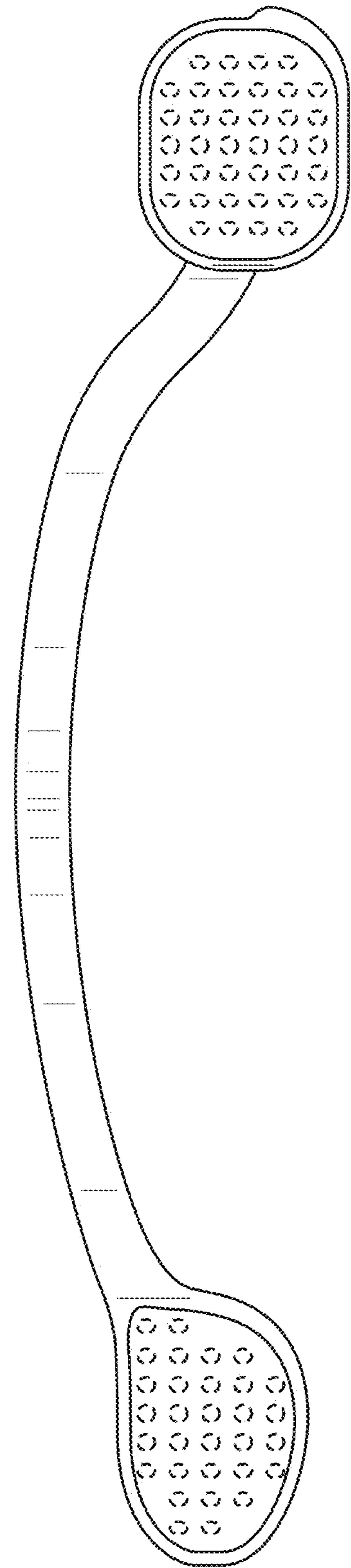


FIG. 7