



US00D919094S

(12) **United States Design Patent** (10) **Patent No.:** **US D919,094 S**
Al-Ali et al. (45) **Date of Patent:** **** May 11, 2021**

(54) **BLOOD PRESSURE DEVICE**

FOREIGN PATENT DOCUMENTS

(71) Applicant: **Masimo Corporation**, Irvine, CA (US)

EP 3 430 980 1/2019
EP 3 488 776 5/2019

(72) Inventors: **Ammar Al-Ali**, San Juan Capistrano, CA (US); **Chad A. DeJong**, Los Angeles, CA (US); **Valery G. Telfort**, Irvine, CA (US); **Kesu Wang**, Irvine, CA (US)

(Continued)

(73) Assignee: **MASIMO CORPORATION**, Irvine, CA (US)

OTHER PUBLICATIONS

(**) Term: **15 Years**

International Search Report and Written Opinion received in PCT Application No. PCT/US2020/028542 dated Sep. 7, 2020 in 19 pages.

(21) Appl. No.: **29/702,168**

Primary Examiner — Anhdao Doan

(22) Filed: **Aug. 16, 2019**

(74) *Attorney, Agent, or Firm* — Knobbe, Martens, Olson & Bear, LLP

(51) **LOC (13) Cl.** **24-02**

(52) **U.S. Cl.**
USPC **D24/165**

(58) **Field of Classification Search**
USPC D24/107, 165–169, 185–187; D10/46, D10/70, 98

CPC A61B 5/0402; A61B 5/0404; A61B 5/021; A61B 5/024; A61B 5/02438; A61B 5/681; A61B 2560/0205; A61B 5/02055; A61B 2560/0462; A61B 5/742; A61B 5/14551; A61B 5/0205; A61B 5/02405; A61B 5/02411; A61B 5/02427; A61B 2560/0406; A61B 2560/0443

See application file for complete search history.

(57) **CLAIM**

The ornamental design for a blood pressure device, as shown and described.

DESCRIPTION

FIG. 1 is a perspective view of a blood pressure device embodying our new design;
FIG. 2 is another perspective view thereof;
FIG. 3 is top view thereof;
FIG. 4 is bottom view thereof;
FIG. 5 is a side view thereof;
FIG. 6 is another side view thereof;
FIG. 7 is a front view thereof;
FIG. 8 is a back view thereof;
FIG. 9 is a perspective view thereof in a condition of use; and,
FIG. 10 is a perspective view thereof in another condition of use.

The broken lines illustrate portions of the blood pressure device that form no part of the claimed design, and the additional broken lines in FIGS. 9 and 10 represent environmental subject matter; the broken lines form no part of the claimed design.

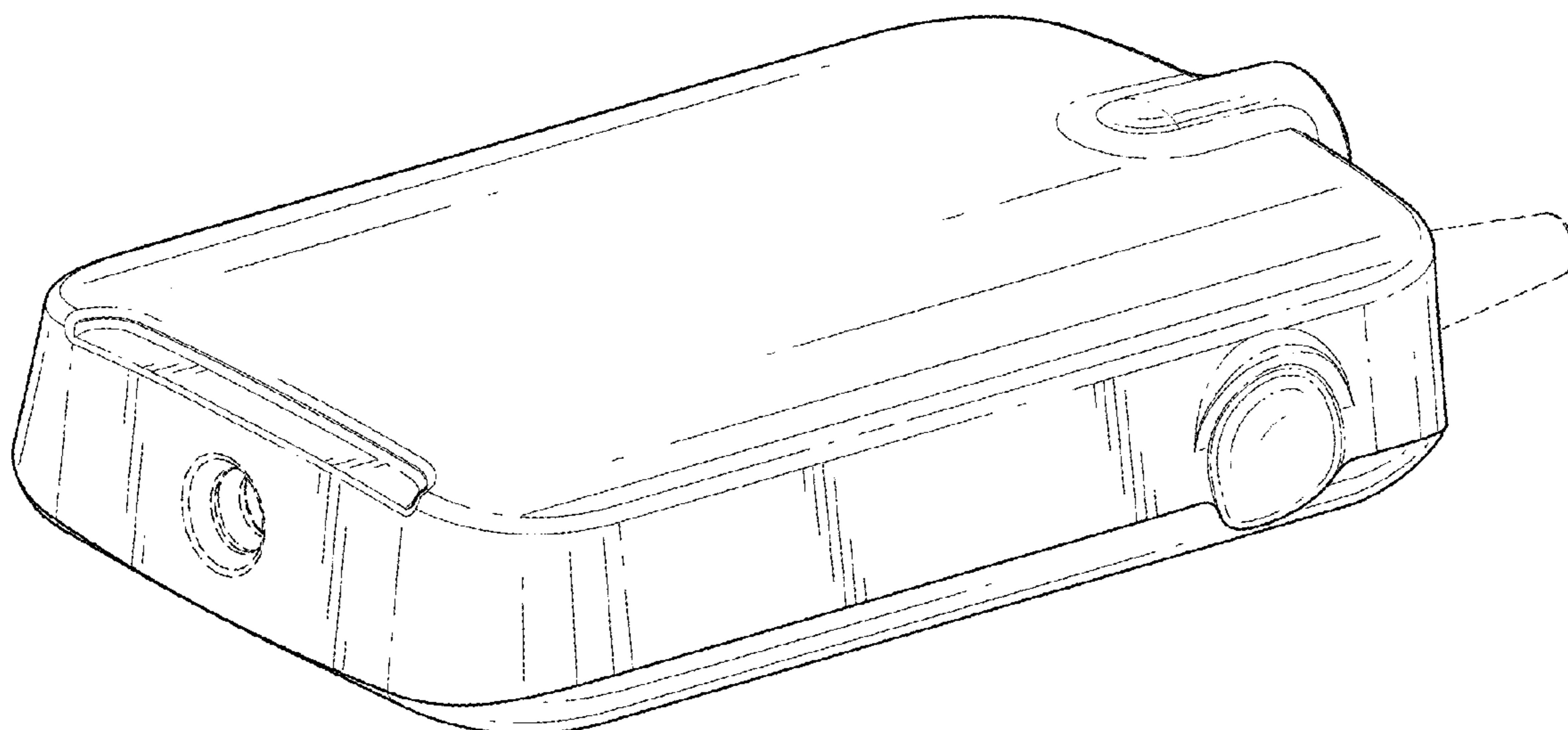
(56) **References Cited**

U.S. PATENT DOCUMENTS

4,960,128 A 10/1990 Gordon et al.
4,964,408 A 10/1990 Hink et al.
D324,570 S * 3/1992 Arioka D24/165
D334,973 S 4/1993 Valentine et al.
D346,798 S 5/1994 Nagele
5,319,355 A 6/1994 Russek
5,337,744 A 8/1994 Branigan

(Continued)

1 Claim, 6 Drawing Sheets



(56)

References Cited

U.S. PATENT DOCUMENTS

| | | | | | | | |
|-----------|----|---------|--------------------------|-----------|----|---------|--------------------|
| 5,341,805 | A | 8/1994 | Stavridi et al. | 6,587,199 | B1 | 7/2003 | Luu |
| D353,195 | S | 12/1994 | Savage et al. | 6,595,316 | B2 | 7/2003 | Cybulski et al. |
| D353,196 | S | 12/1994 | Savage et al. | 6,597,932 | B2 | 7/2003 | Tian et al. |
| 5,377,676 | A | 1/1995 | Vari et al. | 6,606,511 | B1 | 8/2003 | Ali et al. |
| D359,546 | S | 6/1995 | Savage et al. | 6,635,559 | B2 | 10/2003 | Greenwald et al. |
| 5,431,170 | A | 7/1995 | Mathews | 6,639,668 | B1 | 10/2003 | Trepagnier |
| 5,436,499 | A | 7/1995 | Namavar et al. | 6,640,116 | B2 | 10/2003 | Diab |
| D361,840 | S | 8/1995 | Savage et al. | 6,640,117 | B2 | 10/2003 | Makarewicz et al. |
| D362,063 | S | 9/1995 | Savage et al. | 6,658,276 | B2 | 12/2003 | Kiani et al. |
| D363,120 | S | 10/1995 | Savage et al. | 6,661,161 | B1 | 12/2003 | Lanzo et al. |
| 5,456,252 | A | 10/1995 | Vari et al. | D486,785 | S | 2/2004 | Shindo |
| 5,479,934 | A | 1/1996 | Imran | 6,697,656 | B1 | 2/2004 | Al-Ali |
| 5,482,036 | A | 1/1996 | Diab et al. | 6,697,658 | B2 | 2/2004 | Al-Ali |
| 5,494,043 | A | 2/1996 | O'Sullivan et al. | RE38,476 | E | 3/2004 | Diab et al. |
| 5,533,511 | A | 7/1996 | Kaspari et al. | RE38,492 | E | 4/2004 | Diab et al. |
| 5,561,275 | A | 10/1996 | Savage et al. | 6,735,379 | B2 | 5/2004 | Salmon et al. |
| 5,590,649 | A | 1/1997 | Caro et al. | 6,738,652 | B2 | 5/2004 | Mattu et al. |
| 5,602,924 | A | 2/1997 | Durand et al. | 6,760,607 | B2 | 7/2004 | Al-Ali |
| 5,638,816 | A | 6/1997 | Kiani-Azarbayjany et al. | 6,788,965 | B2 | 9/2004 | Ruchti et al. |
| 5,638,818 | A | 6/1997 | Diab et al. | 6,816,241 | B2 | 11/2004 | Grubisic |
| 5,645,440 | A | 7/1997 | Tobler et al. | 6,822,564 | B2 | 11/2004 | Al-Ali |
| 5,671,914 | A | 9/1997 | Kalkhoran et al. | 6,850,787 | B2 | 2/2005 | Weber et al. |
| D385,283 | S | 10/1997 | Snyder et al. | 6,850,788 | B2 | 2/2005 | Al-Ali |
| 5,726,440 | A | 3/1998 | Kalkhoran et al. | 6,876,931 | B2 | 4/2005 | Lorenz et al. |
| D393,830 | S | 4/1998 | Tobler et al. | 6,920,345 | B2 | 7/2005 | Al-Ali et al. |
| 5,743,262 | A | 4/1998 | Lepper, Jr. et al. | 6,934,570 | B2 | 8/2005 | Kiani et al. |
| 5,747,806 | A | 5/1998 | Khalil et al. | 6,943,348 | B1 | 9/2005 | Coffin, IV |
| 5,750,994 | A | 5/1998 | Schlager | 6,956,649 | B2 | 10/2005 | Acosta et al. |
| 5,758,644 | A | 6/1998 | Diab et al. | 6,961,598 | B2 | 11/2005 | Diab |
| 5,760,910 | A | 6/1998 | Lepper, Jr. et al. | 6,970,792 | B1 | 11/2005 | Diab |
| D404,357 | S | 1/1999 | Foster et al. | 6,985,764 | B2 | 1/2006 | Mason et al. |
| 5,890,929 | A | 4/1999 | Mills et al. | 6,990,364 | B2 | 1/2006 | Ruchti et al. |
| 5,919,134 | A | 7/1999 | Diab | 6,998,247 | B2 | 2/2006 | Monfre et al. |
| D417,189 | S | 11/1999 | Amero, Jr. et al. | 7,003,338 | B2 | 2/2006 | Weber et al. |
| 5,987,343 | A | 11/1999 | Kinast | 7,015,451 | B2 | 3/2006 | Dalke et al. |
| 5,997,343 | A | 12/1999 | Mills et al. | 7,027,849 | B2 | 4/2006 | Al-Ali |
| 6,002,952 | A | 12/1999 | Diab et al. | D526,719 | S | 8/2006 | Richie, Jr. et al. |
| 6,010,937 | A | 1/2000 | Karam et al. | 7,096,052 | B2 | 8/2006 | Mason et al. |
| 6,027,452 | A | 2/2000 | Flaherty et al. | 7,096,054 | B2 | 8/2006 | Abdul-Hafiz et al. |
| 6,040,578 | A | 3/2000 | Malin et al. | D529,616 | S | 10/2006 | Deros et al. |
| 6,066,204 | A | 5/2000 | Haven | 7,133,710 | B2 | 11/2006 | Acosta et al. |
| D428,387 | S | 7/2000 | Malloy et al. | 7,142,901 | B2 | 11/2006 | Kiani et al. |
| 6,115,673 | A | 9/2000 | Malin et al. | 7,225,006 | B2 | 5/2007 | Al-Ali et al. |
| 6,124,597 | A | 9/2000 | Shehada et al. | RE39,672 | E | 6/2007 | Shehada et al. |
| 6,128,521 | A | 10/2000 | Marro et al. | 7,254,429 | B2 | 8/2007 | Schurman et al. |
| 6,129,675 | A | 10/2000 | Jay | 7,254,431 | B2 | 8/2007 | Al-Ali et al. |
| 6,144,868 | A | 11/2000 | Parker | 7,254,434 | B2 | 8/2007 | Schulz et al. |
| 6,152,754 | A | 11/2000 | Gerhardt et al. | 7,274,955 | B2 | 9/2007 | Kiani et al. |
| 6,184,521 | B1 | 2/2001 | Coffin, IV et al. | D554,263 | S | 10/2007 | Al-Ali et al. |
| 6,232,609 | B1 | 5/2001 | Snyder et al. | 7,280,858 | B2 | 10/2007 | Al-Ali et al. |
| 6,241,683 | B1 | 6/2001 | Macklem et al. | 7,289,835 | B2 | 10/2007 | Mansfield et al. |
| 6,255,708 | B1 | 7/2001 | Sudharsanan et al. | 7,292,883 | B2 | 11/2007 | De Felice et al. |
| 6,280,381 | B1 | 8/2001 | Malin et al. | D557,814 | S | 12/2007 | Glenn et al. |
| 6,285,896 | B1 | 9/2001 | Tobler et al. | 7,341,559 | B2 | 3/2008 | Schulz et al. |
| 6,308,089 | B1 | 10/2001 | von der Ruhr et al. | 7,343,186 | B2 | 3/2008 | Lamego et al. |
| 6,317,627 | B1 | 11/2001 | Ennen et al. | D566,282 | S | 4/2008 | Al-Ali et al. |
| 6,321,100 | B1 | 11/2001 | Parker | 7,356,365 | B2 | 4/2008 | Schurman |
| 6,334,065 | B1 | 12/2001 | Al-Ali et al. | 7,371,981 | B2 | 5/2008 | Abdul-Hafiz |
| 6,360,114 | B1 | 3/2002 | Diab et al. | 7,373,193 | B2 | 5/2008 | Al-Ali et al. |
| 6,368,283 | B1 | 4/2002 | Xu et al. | 7,377,794 | B2 | 5/2008 | Al-Ali et al. |
| 6,411,373 | B1 | 6/2002 | Garside et al. | D571,478 | S | 6/2008 | Horacek |
| 6,415,167 | B1 | 7/2002 | Blank et al. | D571,720 | S | 6/2008 | Yang |
| 6,430,437 | B1 | 8/2002 | Marro | 7,395,158 | B2 | 7/2008 | Monfre et al. |
| 6,430,525 | B1 | 8/2002 | Weber et al. | 7,415,297 | B2 | 8/2008 | Al-Ali et al. |
| 6,463,311 | B1 | 10/2002 | Diab | D576,546 | S | 9/2008 | Yang |
| 6,470,199 | B1 | 10/2002 | Kopotic et al. | 7,438,683 | B2 | 10/2008 | Al-Ali et al. |
| 6,487,429 | B2 | 11/2002 | Hockersmith et al. | 7,483,729 | B2 | 1/2009 | Al-Ali et al. |
| 6,505,059 | B1 | 1/2003 | Kollias et al. | D587,657 | S | 3/2009 | Al-Ali et al. |
| 6,525,386 | B1 | 2/2003 | Mills et al. | 7,500,950 | B2 | 3/2009 | Al-Ali et al. |
| 6,526,300 | B1 | 2/2003 | Kiani et al. | 7,509,494 | B2 | 3/2009 | Al-Ali |
| 6,534,012 | B1 | 3/2003 | Hazen et al. | 7,510,849 | B2 | 3/2009 | Schurman et al. |
| 6,542,764 | B1 | 4/2003 | Al-Ali et al. | 7,514,725 | B2 | 4/2009 | Wojtczuk et al. |
| 6,580,086 | B1 | 6/2003 | Schulz et al. | 7,519,406 | B2 | 4/2009 | Blank et al. |
| 6,584,336 | B1 | 6/2003 | Ali et al. | D592,507 | S | 5/2009 | Wachman et al. |
| 6,587,196 | B1 | 7/2003 | Stippick et al. | 7,530,942 | B1 | 5/2009 | Diab |
| | | | | D601,258 | S | 9/2009 | Bell et al. |
| | | | | 7,593,230 | B2 | 9/2009 | Abul-Haj et al. |
| | | | | 7,596,398 | B2 | 9/2009 | Al-Ali et al. |
| | | | | 7,606,608 | B2 | 10/2009 | Blank et al. |

(56)

References Cited

U.S. PATENT DOCUMENTS

| | | | | | |
|--------------|---------|--------------------------|--------------|---------|-------------------------|
| 7,620,674 B2 | 11/2009 | Ruchti et al. | 8,577,431 B2 | 11/2013 | Lamego et al. |
| D606,659 S * | 12/2009 | Kiani D24/186 | 8,584,345 B2 | 11/2013 | Al-Ali et al. |
| 7,629,039 B2 | 12/2009 | Eckerbom et al. | 8,588,880 B2 | 11/2013 | Abdul-Hafiz et al. |
| 7,640,140 B2 | 12/2009 | Ruchti et al. | 8,630,691 B2 | 1/2014 | Lamego et al. |
| 7,647,083 B2 | 1/2010 | Al-Ali et al. | 8,639,319 B2 | 1/2014 | Hugh et al. |
| D609,193 S | 2/2010 | Al-Ali et al. | 8,641,631 B2 | 2/2014 | Sierra et al. |
| D614,305 S | 4/2010 | Al-Ali et al. | 8,652,060 B2 | 2/2014 | Al-Ali |
| 7,697,966 B2 | 4/2010 | Monfre et al. | 8,663,106 B2 | 3/2014 | Stivoric et al. |
| 7,698,105 B2 | 4/2010 | Ruchti et al. | 8,666,468 B1 | 3/2014 | Al-Ali |
| RE41,317 E | 5/2010 | Parker | 8,670,811 B2 | 3/2014 | O'Reilly |
| RE41,333 E | 5/2010 | Blank et al. | RE44,823 E | 4/2014 | Parker |
| D616,993 S | 6/2010 | Muis et al. | RE44,875 E | 4/2014 | Kiani et al. |
| 7,729,733 B2 | 6/2010 | Al-Ali et al. | 8,688,183 B2 | 4/2014 | Bruinsma et al. |
| 7,761,127 B2 | 7/2010 | Al-Ali et al. | 8,690,799 B2 | 4/2014 | Telfort et al. |
| 7,764,982 B2 | 7/2010 | Dalke et al. | 8,702,627 B2 | 4/2014 | Telfort et al. |
| D621,516 S | 8/2010 | Kiani et al. | 8,712,494 B1 | 4/2014 | MacNeish et al. |
| 7,791,155 B2 | 9/2010 | Diab | 8,715,206 B2 | 5/2014 | Telfort et al. |
| RE41,912 E | 11/2010 | Parker | 8,716,629 B2 | 5/2014 | Klewer et al. |
| 7,880,626 B2 | 2/2011 | Al-Ali et al. | 8,723,677 B1 | 5/2014 | Kiani |
| 7,904,133 B2 | 3/2011 | Gehman et al. | 8,740,792 B1 | 6/2014 | Kiani et al. |
| 7,909,772 B2 | 3/2011 | Popov et al. | 8,755,535 B2 | 6/2014 | Telfort et al. |
| D636,726 S | 4/2011 | Hiramura | 8,755,872 B1 | 6/2014 | Marinow |
| 7,919,713 B2 | 4/2011 | Al-Ali et al. | D709,439 S | 7/2014 | Ferber et al. |
| 7,937,128 B2 | 5/2011 | Al-Ali | 8,764,671 B2 | 7/2014 | Kiani |
| 7,937,129 B2 | 5/2011 | Mason et al. | 8,768,423 B2 | 7/2014 | Shakespeare et al. |
| 7,941,199 B2 | 5/2011 | Kiani | 8,771,204 B2 | 7/2014 | Telfort et al. |
| 7,957,780 B2 | 6/2011 | Lamego et al. | 8,781,544 B2 | 7/2014 | Al-Ali et al. |
| 7,962,188 B2 | 6/2011 | Kiani et al. | 8,790,268 B2 | 7/2014 | Al-Ali |
| 7,976,472 B2 | 7/2011 | Kiani | 8,801,613 B2 | 8/2014 | Al-Ali et al. |
| 7,990,382 B2 | 8/2011 | Kiani | D712,827 S | 9/2014 | Maeda et al. |
| 8,008,088 B2 | 8/2011 | Bellott et al. | 8,821,397 B2 | 9/2014 | Al-Ali et al. |
| RE42,753 E | 9/2011 | Kiani-Azarbayjany et al. | 8,821,415 B2 | 9/2014 | Al-Ali et al. |
| 8,028,701 B2 | 10/2011 | Al-Ali et al. | 8,830,449 B1 | 9/2014 | Lamego et al. |
| 8,048,040 B2 | 11/2011 | Kiani | 8,840,549 B2 | 9/2014 | Al-Ali et al. |
| 8,050,728 B2 | 11/2011 | Al-Ali et al. | 8,852,094 B2 | 10/2014 | Al-Ali et al. |
| RE43,169 E | 2/2012 | Parker | 8,852,994 B2 | 10/2014 | Wojtczuk et al. |
| 8,118,620 B2 | 2/2012 | Al-Ali et al. | 8,897,847 B2 | 11/2014 | Al-Ali |
| 8,130,105 B2 | 3/2012 | Al-Ali et al. | D719,658 S * | 12/2014 | McDougall D24/165 |
| 8,182,443 B1 | 5/2012 | Kiani | 8,911,377 B2 | 12/2014 | Al-Ali |
| 8,190,223 B2 | 5/2012 | Al-Ali et al. | D724,222 S | 3/2015 | Chung et al. |
| 8,203,438 B2 | 6/2012 | Kiani et al. | 8,989,831 B2 | 3/2015 | Al-Ali et al. |
| 8,203,704 B2 | 6/2012 | Merritt et al. | 8,998,809 B2 | 4/2015 | Kiani |
| 8,219,172 B2 | 7/2012 | Schurman et al. | D728,468 S | 5/2015 | Ferber et al. |
| 8,224,411 B2 | 7/2012 | Al-Ali et al. | 9,066,666 B2 | 6/2015 | Kiani |
| 8,233,955 B2 | 7/2012 | Al-Ali et al. | 9,066,680 B1 | 6/2015 | Al-Ali et al. |
| D666,305 S | 8/2012 | Benarieh et al. | 9,095,316 B2 | 8/2015 | Welch et al. |
| 8,255,026 B1 | 8/2012 | Al-Ali | 9,106,038 B2 | 8/2015 | Telfort et al. |
| 8,265,723 B1 | 9/2012 | McHale et al. | 9,107,625 B2 | 8/2015 | Telfort et al. |
| 8,274,360 B2 | 9/2012 | Sampath et al. | 9,131,881 B2 | 9/2015 | Diab et al. |
| 8,280,473 B2 | 10/2012 | Al-Ali | 9,138,180 B1 | 9/2015 | Coverston et al. |
| 8,315,683 B2 | 11/2012 | Al-Ali et al. | 9,153,112 B1 | 10/2015 | Kiani et al. |
| 8,315,687 B2 | 11/2012 | Cross et al. | 9,192,329 B2 | 11/2015 | Al-Ali |
| RE43,860 E | 12/2012 | Parker | 9,192,351 B1 | 11/2015 | Telfort et al. |
| D671,888 S | 12/2012 | Dyson et al. | 9,195,385 B2 | 11/2015 | Al-Ali et al. |
| 8,346,330 B2 | 1/2013 | Lamego | D745,167 S | 12/2015 | Canas et al. |
| 8,353,842 B2 | 1/2013 | Al-Ali et al. | 9,211,095 B1 | 12/2015 | Al-Ali |
| 8,355,766 B2 | 1/2013 | MacNeish, III et al. | 9,218,454 B2 | 12/2015 | Kiani et al. |
| 8,374,665 B2 | 2/2013 | Lamego | 9,245,668 B1 | 1/2016 | Vo et al. |
| 8,401,602 B2 | 3/2013 | Kiani | 9,267,572 B2 | 2/2016 | Barker et al. |
| 8,414,499 B2 | 4/2013 | Al-Ali et al. | D752,229 S * | 3/2016 | Chen D24/165 |
| 8,418,524 B2 | 4/2013 | Al-Ali | 9,277,880 B2 | 3/2016 | Poeze et al. |
| 8,428,967 B2 | 4/2013 | Olsen et al. | 9,307,928 B1 | 4/2016 | Al-Ali et al. |
| 8,430,817 B1 | 4/2013 | Al-Ali et al. | 9,323,894 B2 | 4/2016 | Kiani |
| 8,437,825 B2 | 5/2013 | Dalvi et al. | D755,392 S | 5/2016 | Hwang et al. |
| 8,455,290 B2 | 6/2013 | Siskavich | D755,393 S | 5/2016 | Amsler |
| 8,457,707 B2 | 6/2013 | Kiani | 9,326,712 B1 | 5/2016 | Kiani |
| 8,471,713 B2 | 6/2013 | Poeze et al. | 9,392,945 B2 | 7/2016 | Al-Ali et al. |
| 8,473,020 B2 | 6/2013 | Kiani et al. | 9,408,542 B1 | 8/2016 | Kinast et al. |
| 8,509,867 B2 | 8/2013 | Workman et al. | D767,485 S | 9/2016 | To et al. |
| 8,515,509 B2 | 8/2013 | Bruinsma et al. | D767,487 S | 9/2016 | Huang |
| 8,523,781 B2 | 9/2013 | Al-Ali | 9,436,645 B2 | 9/2016 | Al-Ali et al. |
| D692,145 S | 10/2013 | Al-Ali et al. | 9,445,759 B1 | 9/2016 | Lamego et al. |
| 8,571,617 B2 | 10/2013 | Reichgott et al. | 9,474,474 B2 | 10/2016 | Lamego et al. |
| 8,571,618 B1 | 10/2013 | Lamego et al. | 9,480,435 B2 | 11/2016 | Olsen |
| 8,571,619 B2 | 10/2013 | Al-Ali et al. | 9,510,755 B2 | 12/2016 | Fong et al. |
| | | | 9,510,779 B2 | 12/2016 | Poeze et al. |
| | | | 9,517,024 B2 | 12/2016 | Kiani et al. |
| | | | 9,532,722 B2 | 1/2017 | Lamego et al. |
| | | | 9,560,996 B2 | 2/2017 | Kiani |

(56)

References Cited

U.S. PATENT DOCUMENTS

| | | | | | |
|---------------|---------|---------------------|-----------------|---------|---------------------|
| 9,579,039 B2 | 2/2017 | Jansen et al. | 10,448,844 B2 | 10/2019 | Al-Ali et al. |
| 9,622,692 B2 | 4/2017 | Lamego et al. | 10,448,871 B2 | 10/2019 | Al-Ali |
| D788,312 S | 5/2017 | Al-Ali et al. | 10,456,038 B2 | 10/2019 | Lamego et al. |
| 9,649,054 B2 | 5/2017 | Lamego et al. | 10,463,340 B2 | 11/2019 | Telfort et al. |
| 9,697,928 B2 | 7/2017 | Al-Ali et al. | 10,471,159 B1 | 11/2019 | Lapotko et al. |
| D794,803 S | 8/2017 | Thom | 10,499,825 B2 | 12/2019 | Solosko et al. |
| D795,184 S | 8/2017 | Jung et al. | 10,505,311 B2 | 12/2019 | Al-Ali et al. |
| 9,717,458 B2 | 8/2017 | Lamego et al. | 10,524,738 B2 | 1/2020 | Olsen |
| 9,724,016 B1 | 8/2017 | Al-Ali et al. | 10,531,813 B2 | 1/2020 | O'Neill et al. |
| 9,724,024 B2 | 8/2017 | Al-Ali | 10,532,174 B2 | 1/2020 | Al-Ali |
| 9,724,025 B1 | 8/2017 | Kiani et al. | 10,537,285 B2 | 1/2020 | Shreim et al. |
| 9,749,232 B2 | 8/2017 | Sampath et al. | 10,542,903 B2 | 1/2020 | Al-Ali et al. |
| 9,750,442 B2 | 9/2017 | Olsen | 10,555,678 B2 | 2/2020 | Dalvi et al. |
| 9,750,461 B1 | 9/2017 | Telfort | 10,568,553 B2 | 2/2020 | O'Neil et al. |
| 9,775,545 B2 | 10/2017 | Al-Ali et al. | RE47,882 E | 3/2020 | Al-Ali |
| 9,778,079 B1 | 10/2017 | Al-Ali et al. | 10,575,780 B2 | 3/2020 | Van Den Ende et al. |
| 9,782,077 B2 | 10/2017 | Lamego et al. | 10,595,726 B2 | 3/2020 | Cronin et al. |
| 9,787,568 B2 | 10/2017 | Lamego et al. | 10,608,817 B2 | 3/2020 | Haider et al. |
| 9,808,188 B1 | 11/2017 | Perea et al. | D880,477 S | 4/2020 | Forrest et al. |
| 9,839,379 B2 | 12/2017 | Al-Ali et al. | 10,617,302 B2 | 4/2020 | Al-Ali et al. |
| 9,839,381 B1 | 12/2017 | Weber et al. | 10,617,335 B2 | 4/2020 | Al-Ali et al. |
| 9,847,749 B2 | 12/2017 | Kiani et al. | 10,637,181 B2 | 4/2020 | Al-Ali et al. |
| 9,848,800 B1 | 12/2017 | Lee et al. | D884,165 S | 5/2020 | deBock et al. |
| 9,861,298 B2 | 1/2018 | Eckerbom et al. | D887,548 S | 6/2020 | Abdul-Hafiz et al. |
| 9,861,305 B1 | 1/2018 | Weber et al. | D887,549 S | 6/2020 | Abdul-Hafiz et al. |
| 9,877,650 B2 | 1/2018 | Muhsin et al. | 10,667,751 B2 | 6/2020 | Kaskoun et al. |
| 9,891,079 B2 | 2/2018 | Dalvi | 10,667,764 B2 | 6/2020 | Ahmed et al. |
| 9,907,473 B2 | 3/2018 | Tran | D890,708 S | 7/2020 | Forrest et al. |
| 9,924,897 B1 | 3/2018 | Abdul-Hafiz | 10,721,785 B2 | 7/2020 | Al-Ali |
| D815,743 S * | 4/2018 | Liao D24/165 | 10,750,984 B2 | 8/2020 | Pauley et al. |
| 9,936,917 B2 | 4/2018 | Poeze et al. | D895,122 S | 9/2020 | Benedikter et al. |
| D818,129 S * | 5/2018 | Heine D24/165 | 10,758,164 B2 | 9/2020 | Derkx |
| 9,955,937 B2 | 5/2018 | Telfort | 10,799,128 B2 | 10/2020 | Paulussen et al. |
| 9,955,939 B2 | 5/2018 | Sezan et al. | 2001/0034477 A1 | 10/2001 | Mansfield et al. |
| 9,965,946 B2 | 5/2018 | Al-Ali et al. | 2001/0039483 A1 | 11/2001 | Brand et al. |
| D820,865 S | 6/2018 | Muhsin et al. | 2002/0010401 A1 | 1/2002 | Bushmakim et al. |
| 9,986,952 B2 | 6/2018 | Dalvi et al. | 2002/0058864 A1 | 5/2002 | Mansfield et al. |
| D822,215 S | 7/2018 | Al-Ali et al. | 2002/0133080 A1 | 9/2002 | Apruzzese et al. |
| D822,216 S | 7/2018 | Barker et al. | 2003/0013975 A1 | 1/2003 | Kiani |
| 10,010,276 B2 | 7/2018 | Al-Ali et al. | 2003/0018243 A1 | 1/2003 | Gerhardt et al. |
| 10,062,958 B2 | 8/2018 | Ganton et al. | 2003/0144582 A1 | 7/2003 | Cohen et al. |
| 10,086,138 B1 | 10/2018 | Novak, Jr. | 2003/0156288 A1 | 8/2003 | Barnum et al. |
| 10,111,591 B2 | 10/2018 | Dyell et al. | 2003/0212312 A1 | 11/2003 | Coffin, IV et al. |
| D833,624 S | 11/2018 | DeJong et al. | 2004/0106163 A1 | 6/2004 | Workman, Jr. et al. |
| 10,123,729 B2 | 11/2018 | Dyell et al. | 2005/0055276 A1 | 3/2005 | Kiani et al. |
| D835,282 S | 12/2018 | Barker et al. | 2005/0107714 A1 | 5/2005 | Matsumura et al. |
| D835,283 S | 12/2018 | Barker et al. | 2005/0234317 A1 | 10/2005 | Kiani |
| D835,284 S | 12/2018 | Barker et al. | 2006/0073719 A1 | 4/2006 | Kiani |
| D835,285 S | 12/2018 | Barker et al. | 2006/0189871 A1 | 8/2006 | Al-Ali et al. |
| 10,143,383 B2 | 12/2018 | Tseng et al. | 2007/0073116 A1 | 3/2007 | Kiani et al. |
| 10,149,616 B2 | 12/2018 | Al-Ali et al. | 2007/0167850 A1 | 7/2007 | Russell et al. |
| 10,154,815 B2 | 12/2018 | Al-Ali et al. | 2007/0180140 A1 | 8/2007 | Welch et al. |
| 10,159,412 B2 | 12/2018 | Lamego et al. | 2007/0244377 A1 | 10/2007 | Cozad et al. |
| 10,188,348 B2 | 1/2019 | Al-Ali et al. | 2008/0064965 A1 | 3/2008 | Jay et al. |
| RE47,218 E | 2/2019 | Al-Ali | 2008/0094228 A1 | 4/2008 | Welch et al. |
| RE47,244 E | 2/2019 | Kiani et al. | 2008/0221418 A1 | 9/2008 | Al-Ali et al. |
| RE47,249 E | 2/2019 | Kiani et al. | 2008/0288026 A1 | 11/2008 | Cross et al. |
| 10,205,291 B2 | 2/2019 | Scruggs et al. | 2009/0036759 A1 | 2/2009 | Ault et al. |
| 10,226,187 B2 | 3/2019 | Al-Ali et al. | 2009/0093687 A1 | 4/2009 | Telfort et al. |
| 10,231,657 B2 | 3/2019 | Al-Ali et al. | 2009/0095926 A1 | 4/2009 | MacNeish, III |
| 10,231,670 B2 | 3/2019 | Blank et al. | 2009/0247984 A1 | 10/2009 | Lamego et al. |
| RE47,353 E | 4/2019 | Kiani et al. | 2009/0275813 A1 | 11/2009 | Davis |
| D847,372 S | 4/2019 | Crawford et al. | 2010/0004518 A1 | 1/2010 | Vo et al. |
| 10,279,247 B2 | 5/2019 | Kiani | 2010/0030040 A1 | 2/2010 | Poeze et al. |
| 10,292,664 B2 | 5/2019 | Al-Ali | 2010/0099964 A1 | 4/2010 | O'Reilly et al. |
| 10,299,720 B2 | 5/2019 | Brown et al. | 2010/0234718 A1 | 9/2010 | Sampath et al. |
| 10,327,337 B2 | 6/2019 | Triman et al. | 2010/0249542 A1 | 9/2010 | Thijs et al. |
| 10,327,713 B2 | 6/2019 | Barker et al. | 2010/0270257 A1 | 10/2010 | Wachman et al. |
| 10,332,630 B2 | 6/2019 | Al-Ali | 2011/0028806 A1 | 2/2011 | Merritt et al. |
| 10,383,520 B2 | 8/2019 | Wojtczuk et al. | 2011/0028809 A1 | 2/2011 | Goodman |
| 10,383,527 B2 | 8/2019 | Al-Ali | 2011/0040197 A1 | 2/2011 | Welch et al. |
| 10,388,120 B2 | 8/2019 | Muhsin et al. | 2011/0082711 A1 | 4/2011 | Poeze et al. |
| D864,120 S | 10/2019 | Forrest et al. | 2011/0087081 A1 | 4/2011 | Kiani et al. |
| 10,441,181 B1 | 10/2019 | Telfort et al. | 2011/0118561 A1 | 5/2011 | Tani et al. |
| 10,441,196 B2 | 10/2019 | Eckerbom et al. | 2011/0137297 A1 | 6/2011 | Kiani et al. |
| | | | 2011/0172498 A1 | 7/2011 | Olsen et al. |
| | | | 2011/0230733 A1 | 9/2011 | Al-Ali |
| | | | 2011/0237924 A1 | 9/2011 | McGusty et al. |
| | | | 2012/0123231 A1 | 5/2012 | O'Reilly |

(56)

References Cited

U.S. PATENT DOCUMENTS

2012/0130204 A1 5/2012 Basta et al.
 2012/0165629 A1 6/2012 Merritt et al.
 2012/0209084 A1 8/2012 Olsen et al.
 2012/0226117 A1 9/2012 Lamego et al.
 2012/0283524 A1 11/2012 Kiani et al.
 2013/0023775 A1 1/2013 Lamego et al.
 2013/0041591 A1 2/2013 Lamego
 2013/0060147 A1 3/2013 Welch et al.
 2013/0096405 A1 4/2013 Garfio
 2013/0296672 A1 11/2013 O'Neil et al.
 2013/0345921 A1 12/2013 Al-Ali et al.
 2014/0166076 A1 6/2014 Kiani et al.
 2014/0180160 A1 6/2014 Brown et al.
 2014/0187973 A1 7/2014 Brown et al.
 2014/0243612 A1 8/2014 Li et al.
 2014/0275871 A1 9/2014 Lamego et al.
 2014/0275872 A1 9/2014 Merritt et al.
 2014/0316217 A1 10/2014 Purdon et al.
 2014/0316218 A1 10/2014 Purdon et al.
 2014/0323897 A1 10/2014 Brown et al.
 2014/0323898 A1 10/2014 Purdon et al.
 2015/0005600 A1 1/2015 Blank et al.
 2015/0011907 A1 1/2015 Purdon et al.
 2015/0025400 A1 1/2015 Nishioka et al.
 2015/0073241 A1 3/2015 Lamego
 2015/0080754 A1 3/2015 Purdon et al.
 2015/0099950 A1 4/2015 Al-Ali et al.
 2015/0106121 A1 4/2015 Muhsin et al.
 2016/0007861 A1 1/2016 Tseng et al.
 2016/0196388 A1 7/2016 Lamego
 2016/0367173 A1 12/2016 Dalvi et al.
 2017/0024748 A1 1/2017 Haider
 2017/0042488 A1 2/2017 Muhsin
 2017/0055896 A1 3/2017 Al-Ali
 2017/0173632 A1 6/2017 Al-Ali
 2017/0251974 A1 9/2017 Shreim et al.
 2017/0296124 A1 10/2017 Creemers et al.
 2017/0311891 A1 11/2017 Kiani et al.
 2017/0360329 A1 12/2017 Derkx et al.
 2018/0049656 A1 2/2018 Paulussen et al.
 2018/0103874 A1 4/2018 Lee et al.
 2018/0125444 A1 5/2018 Kahlman et al.
 2018/0146867 A1 5/2018 Torihama et al.
 2018/0184926 A1 7/2018 Doi et al.
 2018/0235567 A1 8/2018 Bezemer et al.
 2018/0242926 A1 8/2018 Muhsin et al.
 2018/0247353 A1 8/2018 Al-Ali et al.
 2018/0247712 A1 8/2018 Muhsin et al.
 2018/0256087 A1 9/2018 Al-Ali et al.
 2018/0296161 A1 10/2018 Shreim et al.

2018/0300919 A1 10/2018 Muhsin et al.
 2018/0310822 A1 11/2018 Indorf et al.
 2018/0310823 A1 11/2018 Al-Ali et al.
 2018/0317826 A1 11/2018 Muhsin et al.
 2018/0333053 A1 11/2018 Verkrujssse et al.
 2018/0360373 A1 12/2018 Aarts et al.
 2019/0015023 A1 1/2019 Monfre
 2019/0117070 A1 4/2019 Muhsin et al.
 2019/0142280 A1 5/2019 Bongers et al.
 2019/0200941 A1 7/2019 Chandran et al.
 2019/0239787 A1 8/2019 Pauley et al.
 2019/0298195 A1 10/2019 De Groot et al.
 2019/0320906 A1 10/2019 Olsen
 2019/0374139 A1 12/2019 Kiani et al.
 2019/0374173 A1 12/2019 Kiani et al.
 2019/0374713 A1 12/2019 Kiani et al.
 2020/0021930 A1 1/2020 Iswanto et al.
 2020/0060869 A1 2/2020 Telfort et al.
 2020/0069281 A1 3/2020 Chan et al.
 2020/0085310 A1 3/2020 Zahner et al.
 2020/0086133 A1 3/2020 Wang et al.
 2020/0111552 A1 4/2020 Ahmed
 2020/0113435 A1 4/2020 Muhsin
 2020/0113488 A1 4/2020 Al-Ali et al.
 2020/0113496 A1 4/2020 Scruggs et al.
 2020/0113497 A1 4/2020 Triman et al.
 2020/0113520 A1 4/2020 Abdul-Hafiz et al.
 2020/0138288 A1 5/2020 Al-Ali et al.
 2020/0138368 A1 5/2020 Kiani et al.
 2020/0163597 A1 5/2020 Dalvi et al.
 2020/0196877 A1 6/2020 Vo et al.
 2020/0253474 A1 8/2020 Muhsin et al.
 2020/0253544 A1 8/2020 Belur Nagaraj et al.
 2020/0345252 A1 11/2020 Huijbregts et al.

FOREIGN PATENT DOCUMENTS

EP 3 566 644 11/2019
 EP 3 578 096 12/2019
 EP 3 598 950 1/2020
 EP 3 626 159 3/2020
 WO WO 2010/020945 2/2010
 WO WO 2013/124750 8/2013
 WO WO 2017/093150 6/2017
 WO WO 2020/002133 1/2020
 WO WO 2020/002290 1/2020
 WO WO 2020/002461 1/2020
 WO WO 2020/078842 4/2020
 WO WO 2020/078962 4/2020
 WO WO 2020/214826 10/2020
 WO WO 2020/216694 10/2020

* cited by examiner

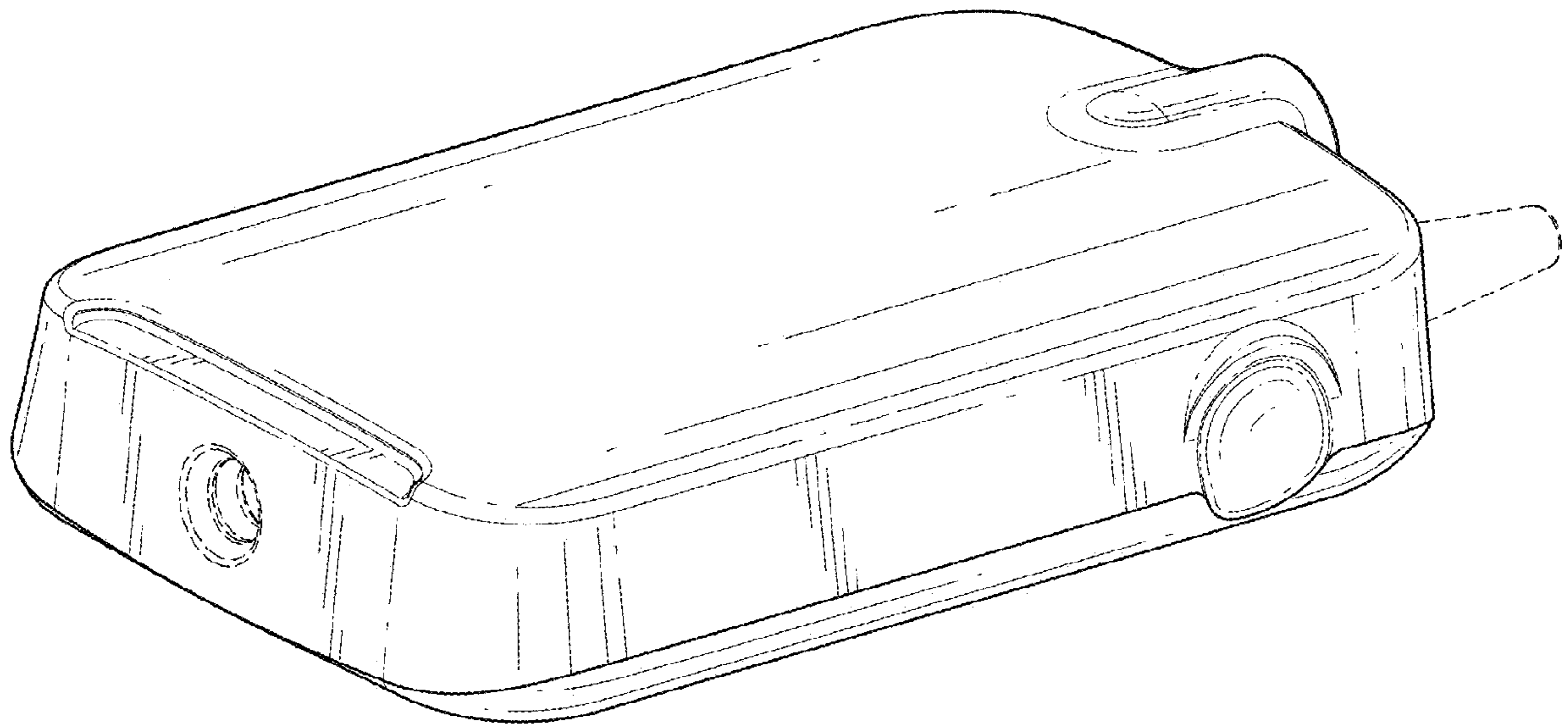


FIG. 1

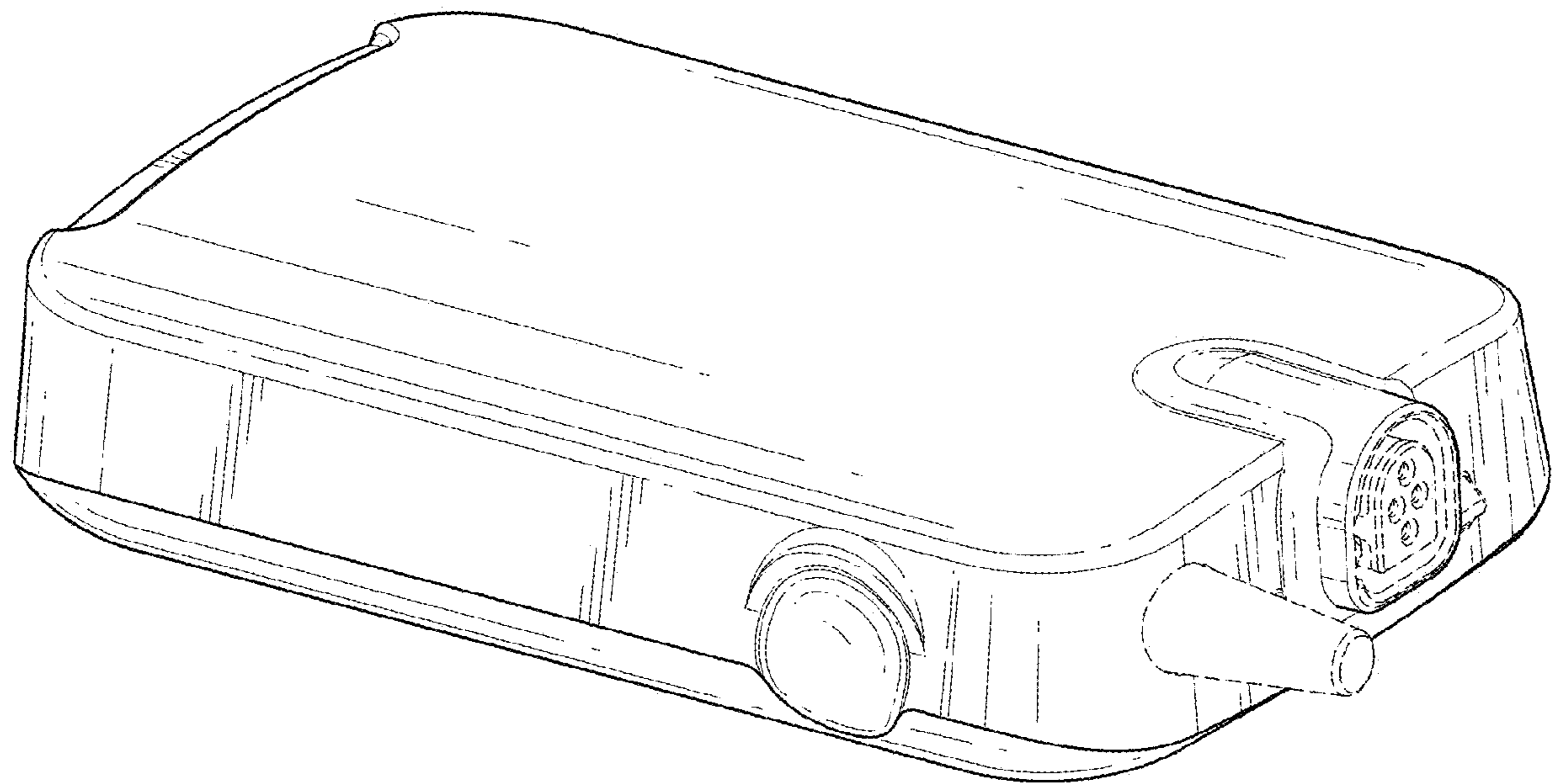


FIG. 2

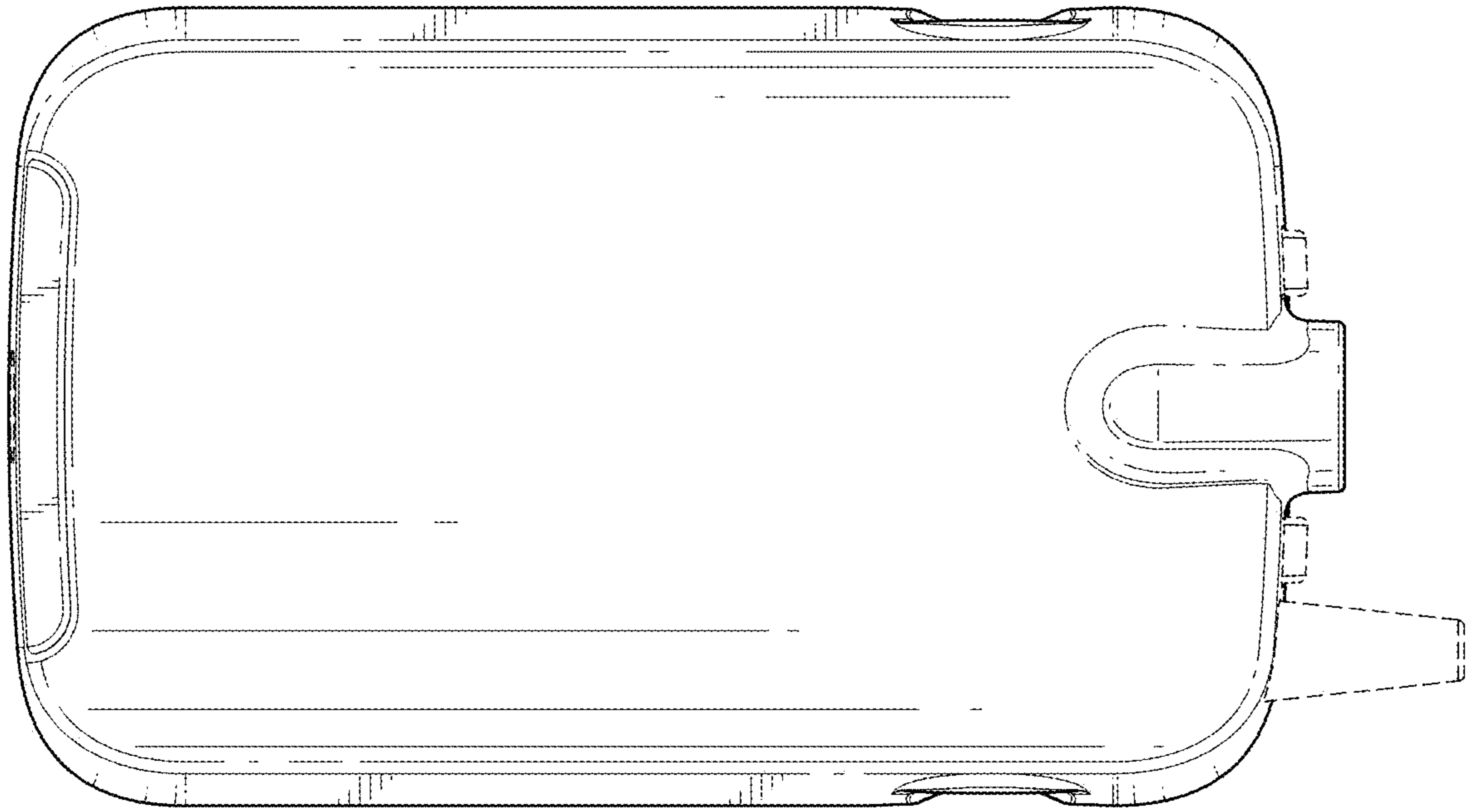


FIG. 3

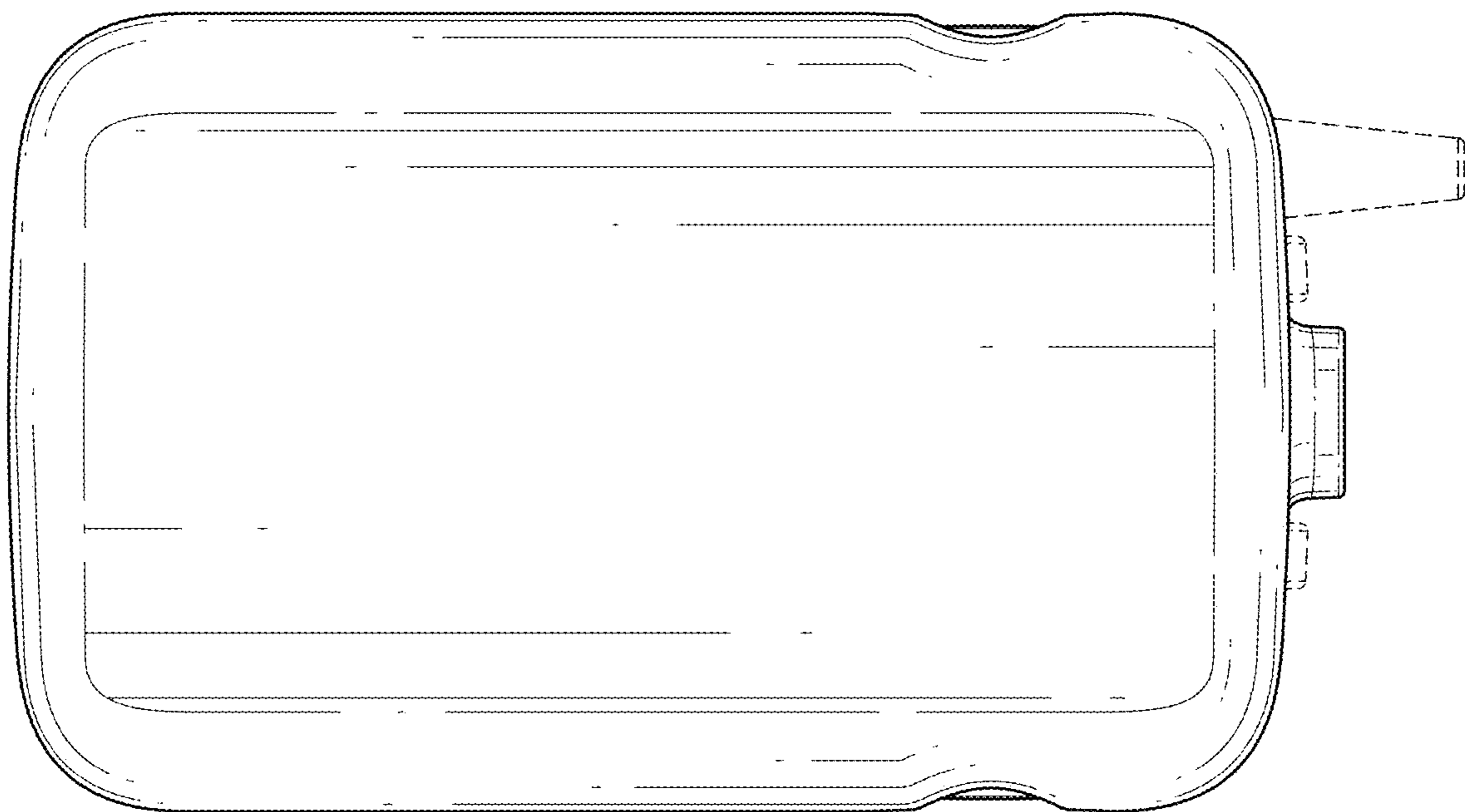


FIG. 4

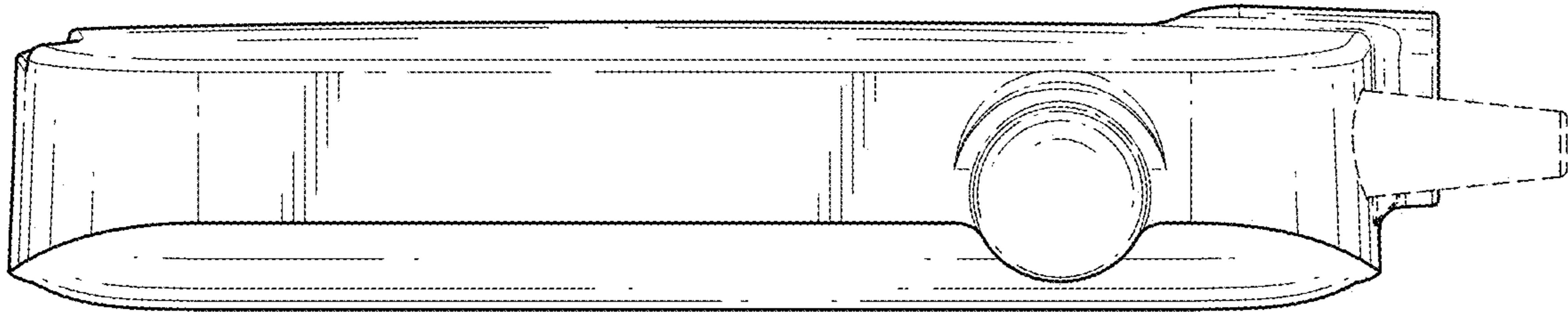


FIG. 5

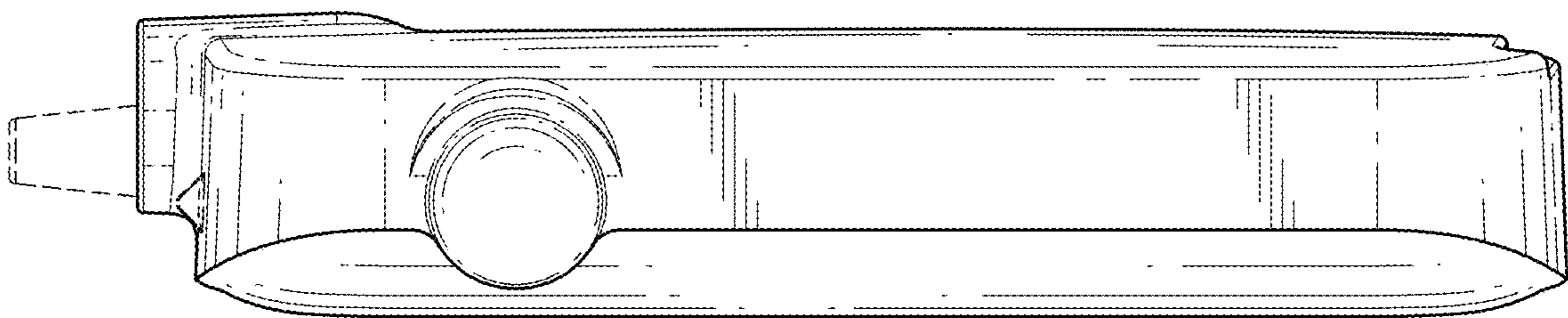


FIG. 6

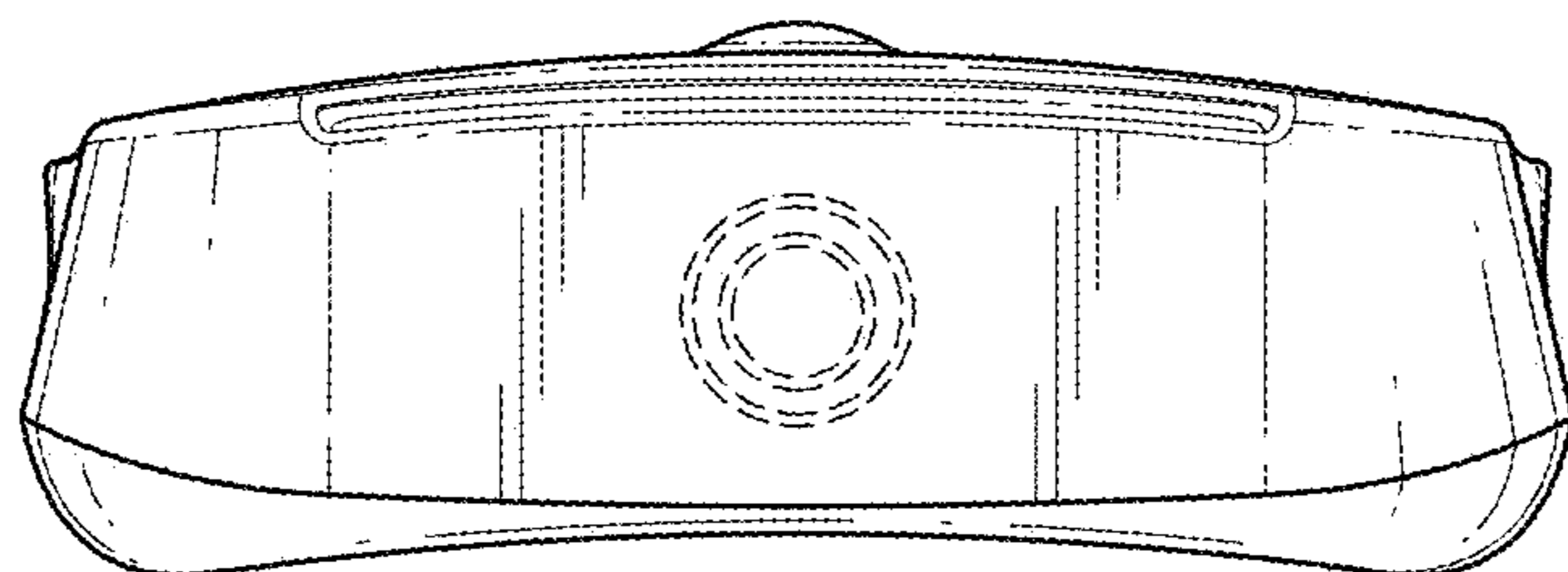


FIG. 7

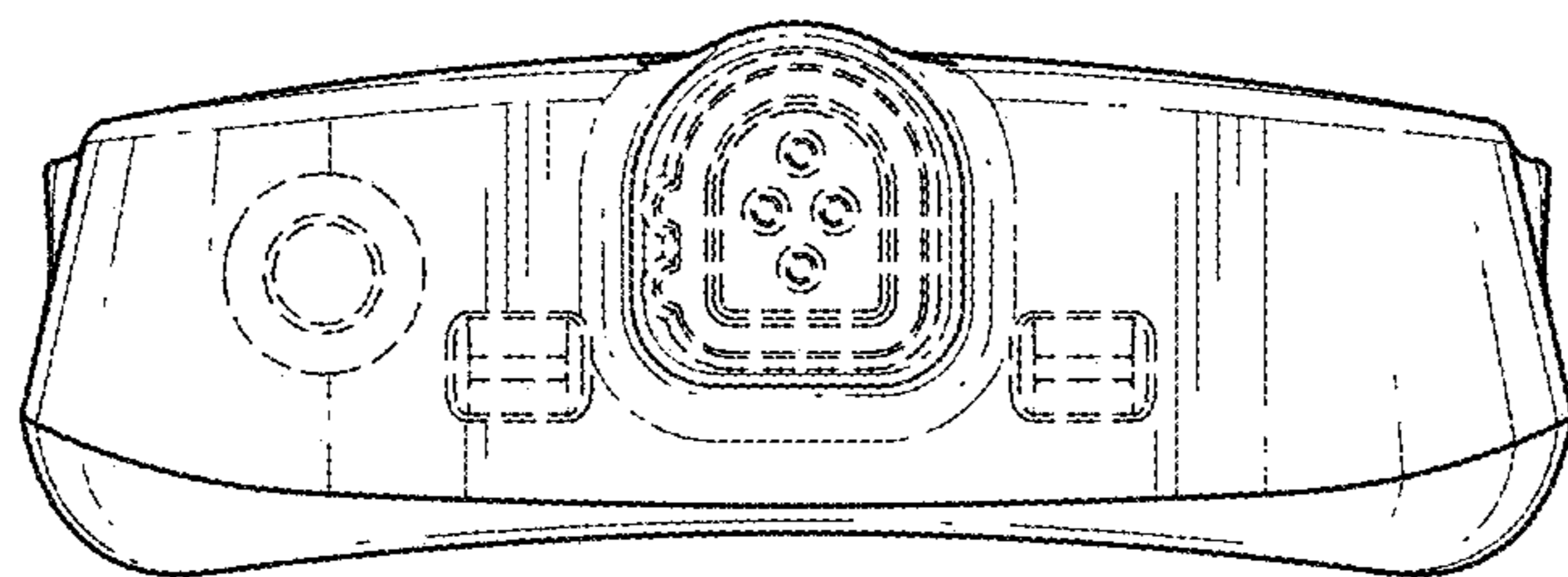


FIG. 8

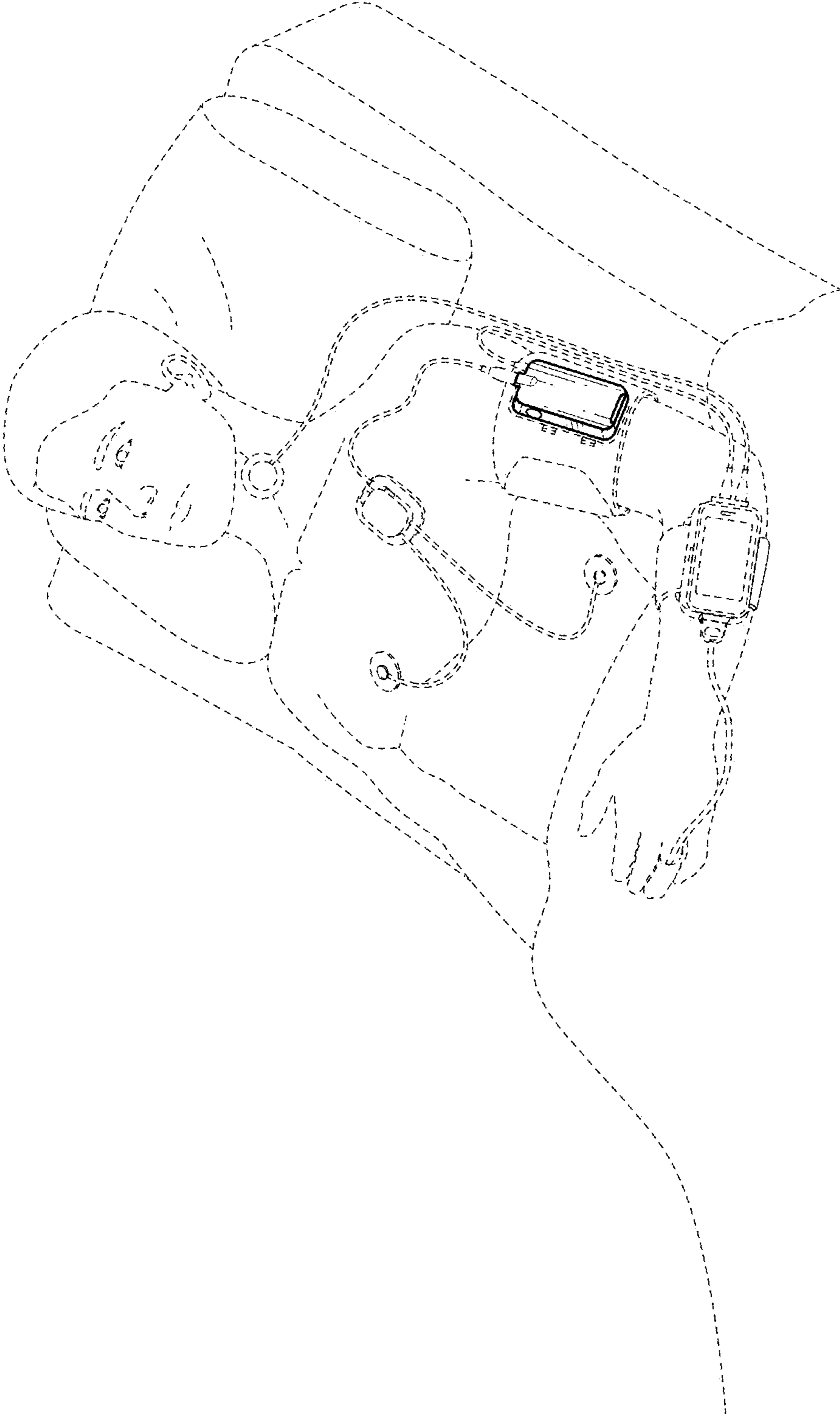


FIG. 9

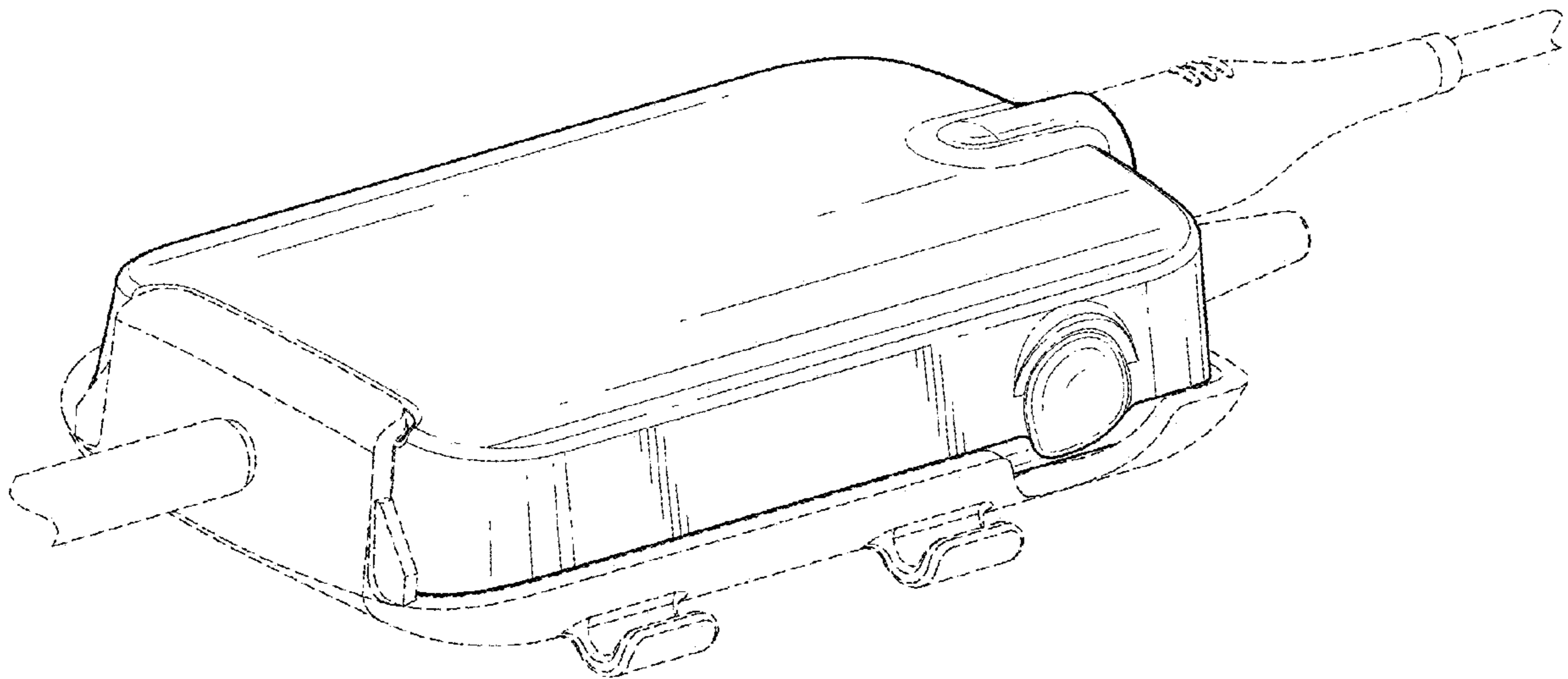


FIG. 10