



US00D919091S

(12) **United States Design Patent** (10) **Patent No.:** **US D919,091 S**  
**Ishii** (45) **Date of Patent:** **\*\* May 11, 2021**

(54) **X-RAY GENERATING APPARATUS**

(71) Applicant: **HAMAMATSU PHOTONICS K.K.**,  
Hamamatsu (JP)

(72) Inventor: **Atsushi Ishii**, Hamamatsu (JP)

(73) Assignee: **HAMAMATSU PHOTONICS K.K.**,  
Hamamatsu (JP)

7,773,726 B2	8/2010	Inazuru	
D628,296 S	11/2010	Hoshino	
D676,554 S	2/2013	Moon	
D703,323 S	4/2014	Hayman et al.	
D726,921 S	4/2015	Ishihara	
D838,852 S *	1/2019	Sottas .....	D24/158
D859,660 S *	9/2019	Lee .....	D24/158
D882,091 S *	4/2020	Ishii .....	D24/158
2005/0190884 A1	9/2005	Suzuki et al.	

(Continued)

(\*\*) Term: **15 Years**

**FOREIGN PATENT DOCUMENTS**

(21) Appl. No.: **29/726,038**

TW	484164 B	4/2002
TW	580721 B	3/2004

(22) Filed: **Feb. 28, 2020**

*Primary Examiner* — Anhdao Doan

**Related U.S. Application Data**

(74) *Attorney, Agent, or Firm* — Faegre Drinker Biddle & Reath LLP

(62) Division of application No. 29/665,954, filed on Oct. 9, 2018, now Pat. No. Des. 882,091.

(30) **Foreign Application Priority Data**

Apr. 12, 2018	(JP)	.....	2018-008118
Apr. 12, 2018	(JP)	.....	2018-008121
Apr. 12, 2018	(JP)	.....	2018-008122

(57) **CLAIM**

The ornamental design for an X-ray generating apparatus, as shown and described.

(51) **LOC (13) Cl.** ..... **24-01**

(52) **U.S. Cl.**  
USPC ..... **D24/158**

**DESCRIPTION**

(58) **Field of Classification Search**  
USPC ..... D24/107, 158–161, 185, 186, 231;  
D16/200, 202, 206, 208, 219  
CPC ..... A61B 6/08; A61B 6/4405; A61B 6/4411;  
A61B 6/467; A61B 6/542; H01J 35/02;  
H05G 1/06; G21K 1/04  
See application file for complete search history.

FIG. 1 is a front view of an X-ray generating apparatus of the present invention;  
FIG. 2 is a rear view thereof;  
FIG. 3 is a top view thereof;  
FIG. 4 is a bottom view thereof;  
FIG. 5 is a right view thereof;  
FIG. 6 is a left view thereof;  
FIG. 7 is a perspective view thereof; and,  
FIG. 8 is an enlarged view showing a portion of FIG. 5 defined by lines 8-8 and 8'-8'.

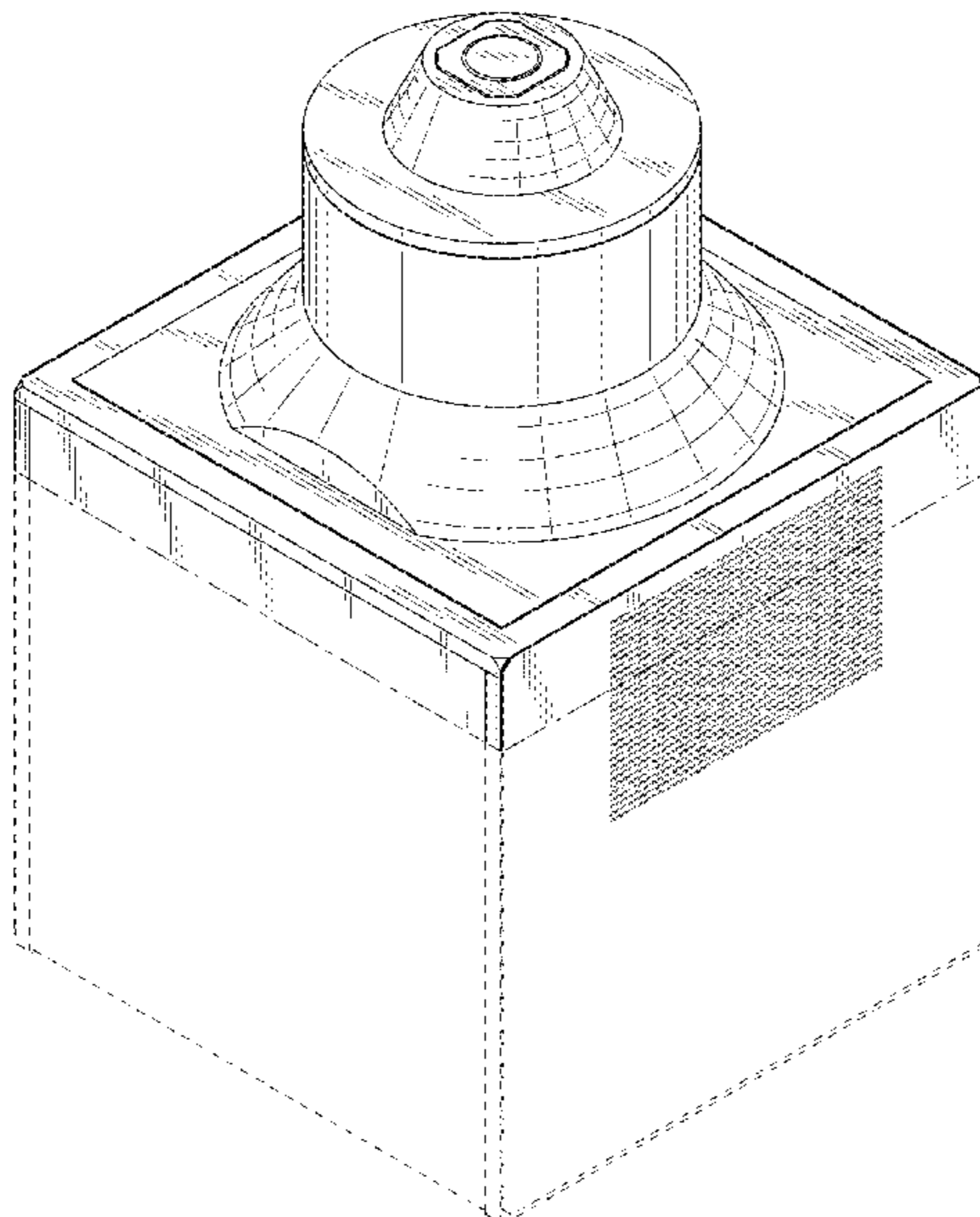
The features shown in evenly-dashed broken lines depict environmental subject matter only and form no part of the claimed design. The dot-dash broken lines in the drawings represent the bounds of the claimed subject matter, the dot-dash broken lines, themselves forming no part thereof.

(56) **References Cited**

**U.S. PATENT DOCUMENTS**

D371,197 S	6/1996	Golden et al.
D603,965 S	11/2009	Verma et al.

**1 Claim, 8 Drawing Sheets**



(56)

**References Cited**

U.S. PATENT DOCUMENTS

2005/0190886 A1 9/2005 Yoshiyama et al.  
2009/0238340 A1 9/2009 Okada et al.

\* cited by examiner

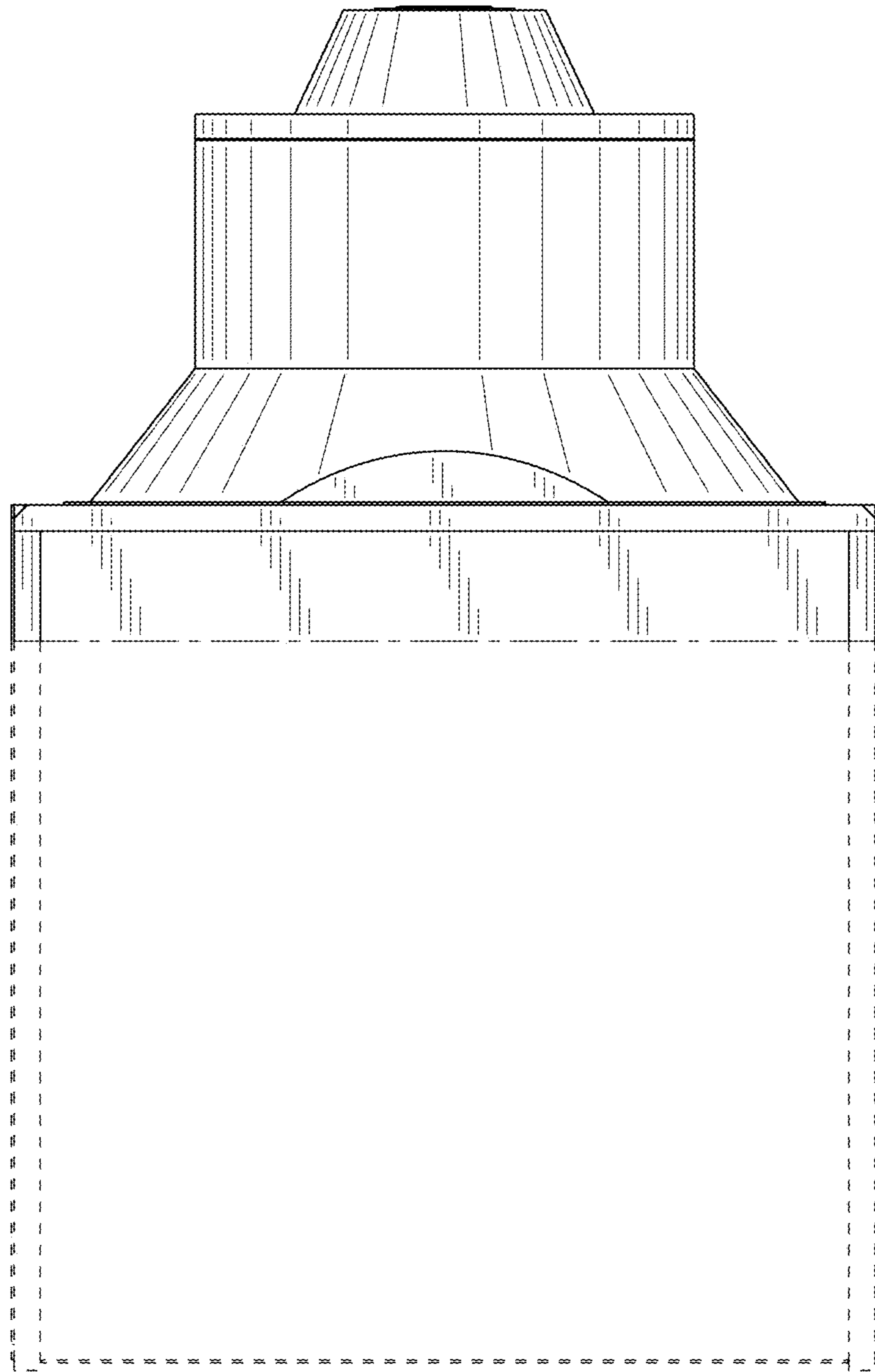


FIG. 1

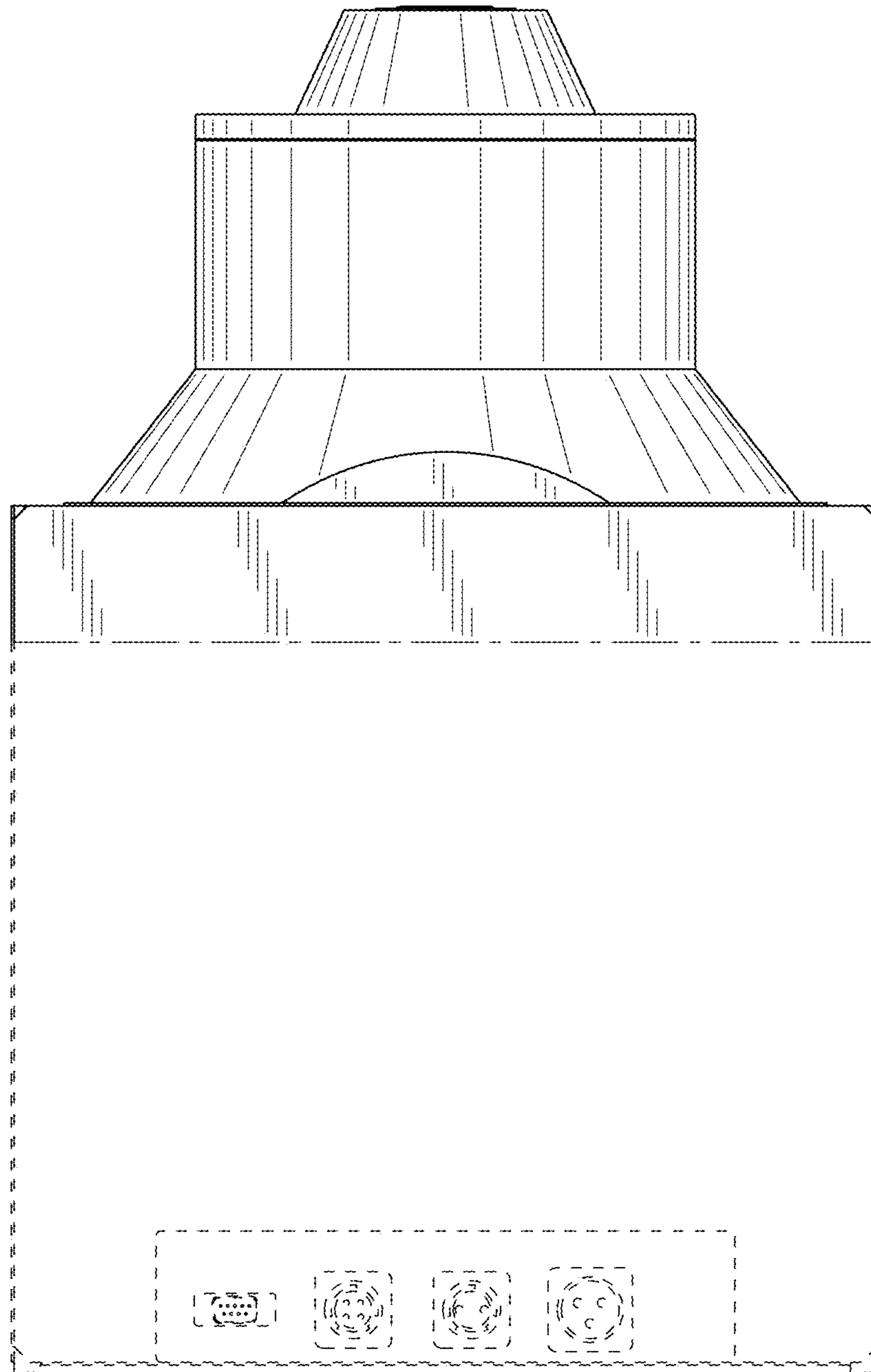


FIG. 2

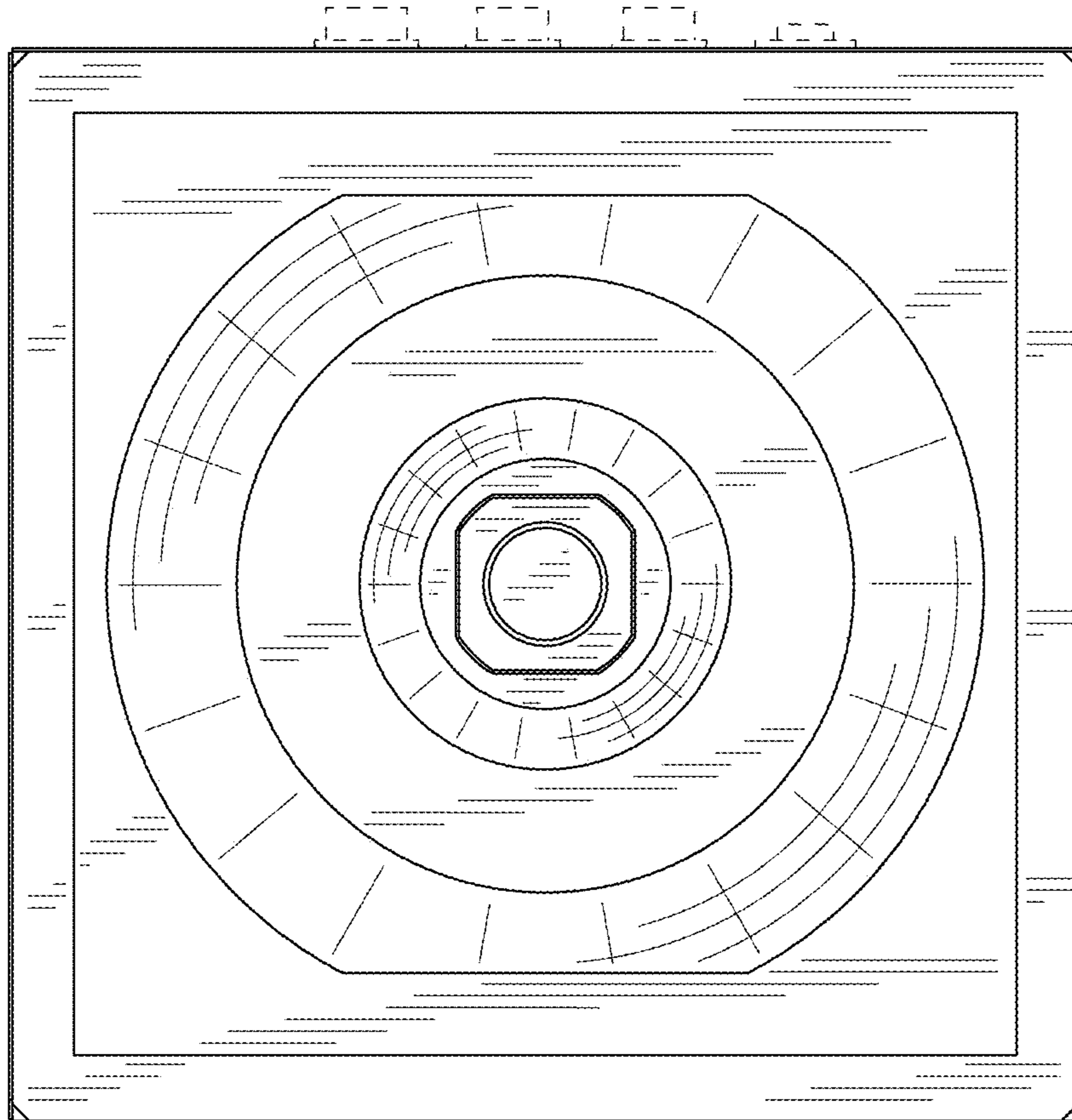


FIG. 3

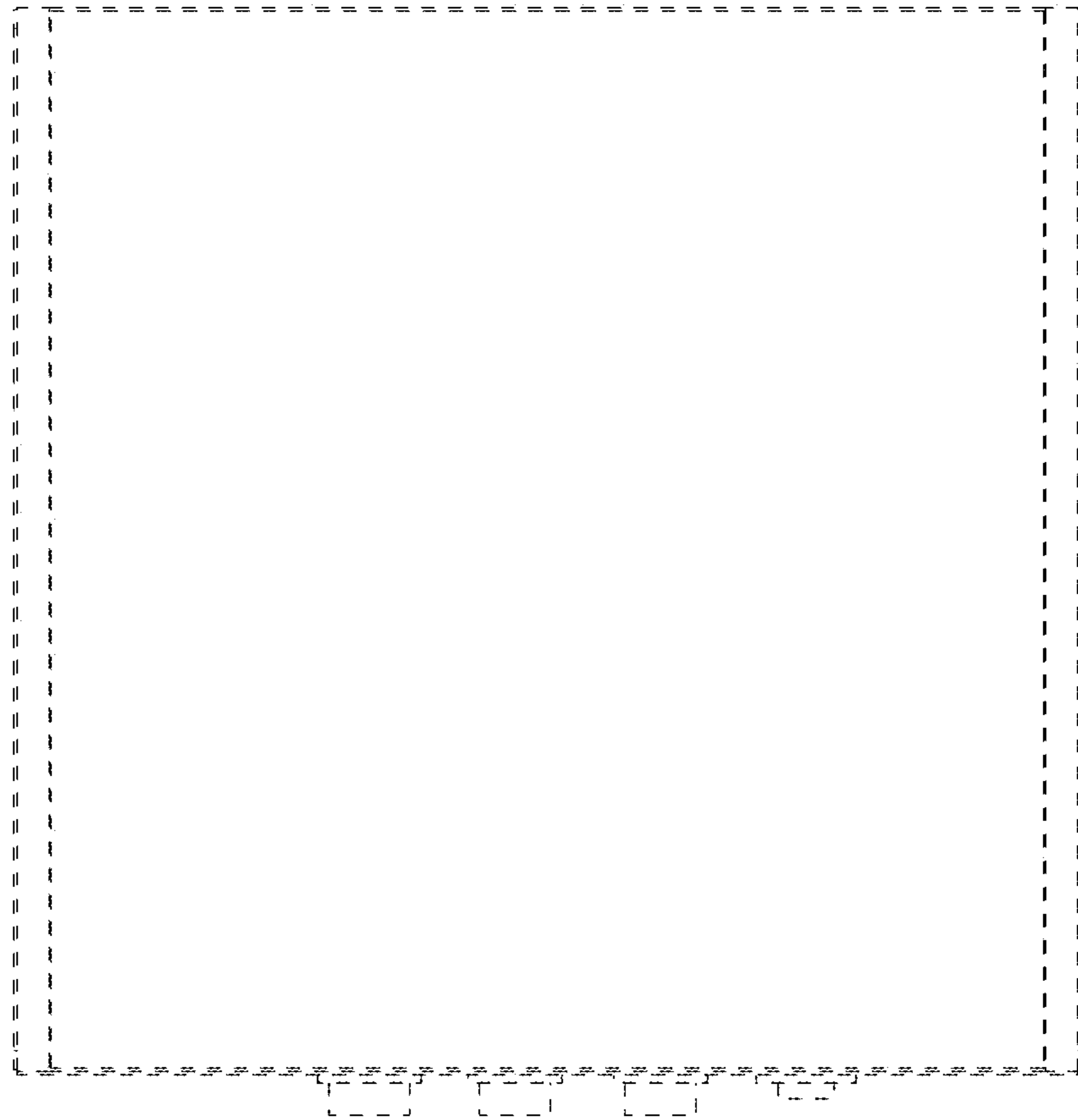


FIG. 4



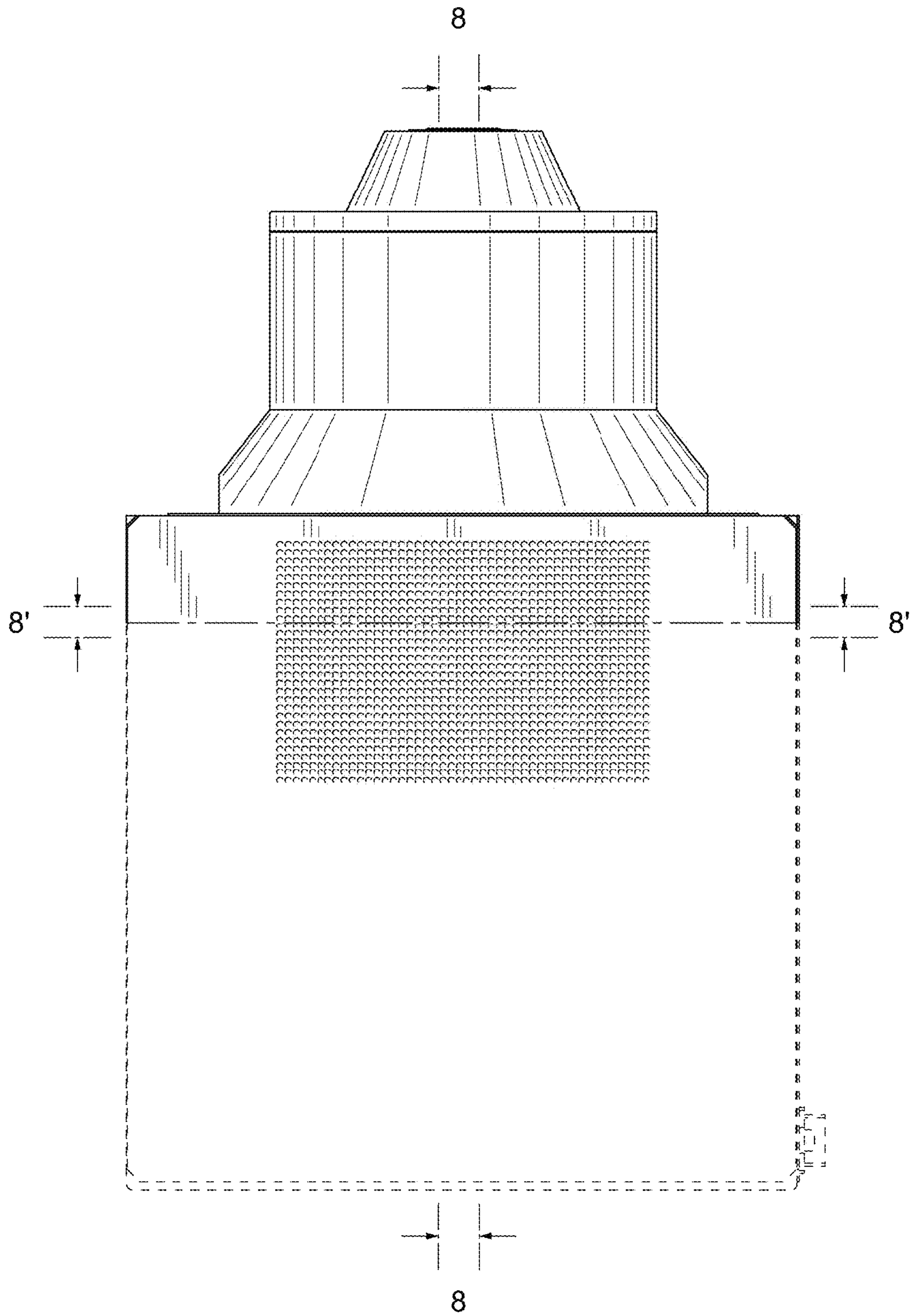


FIG. 5

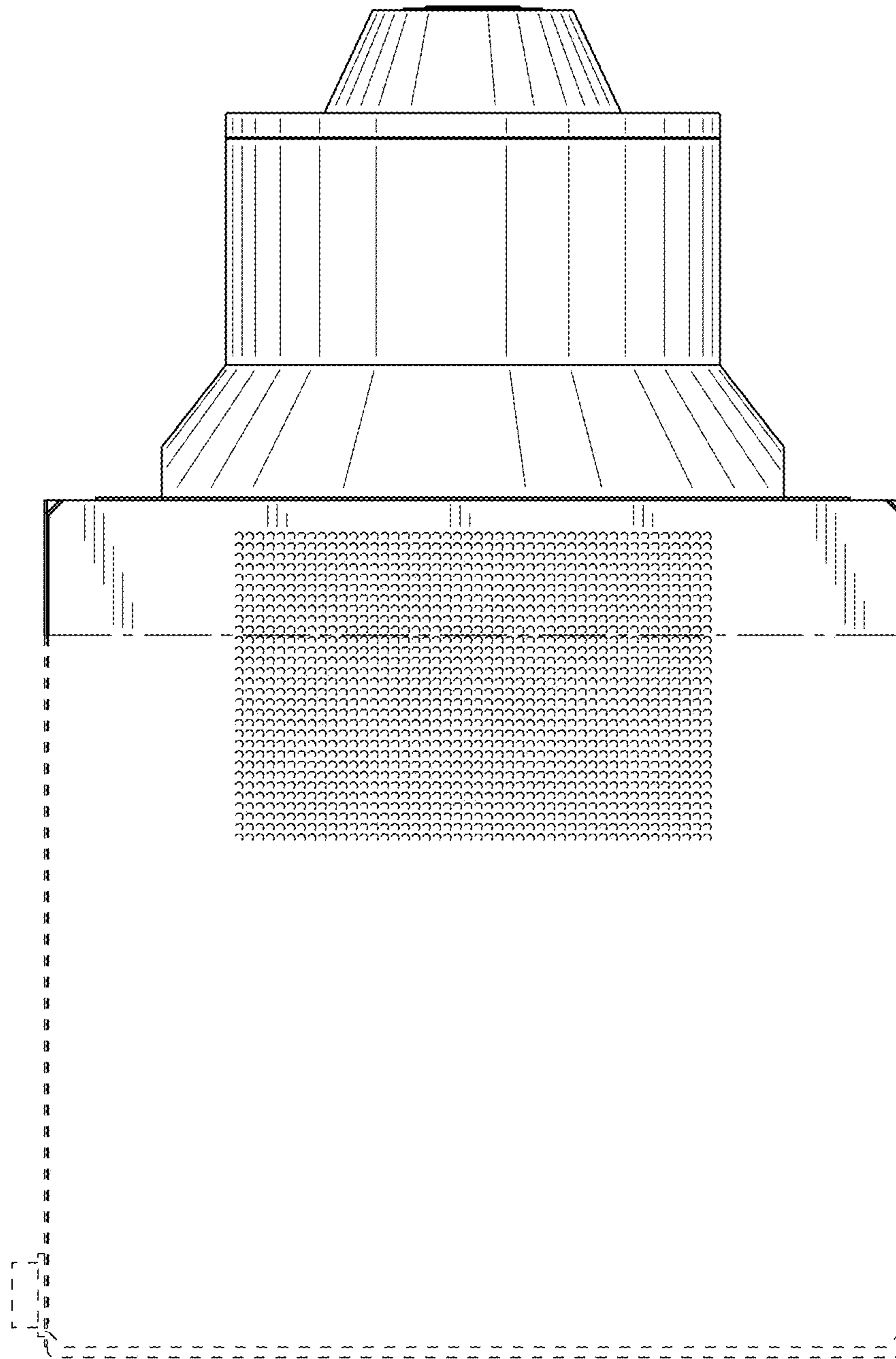


FIG. 6



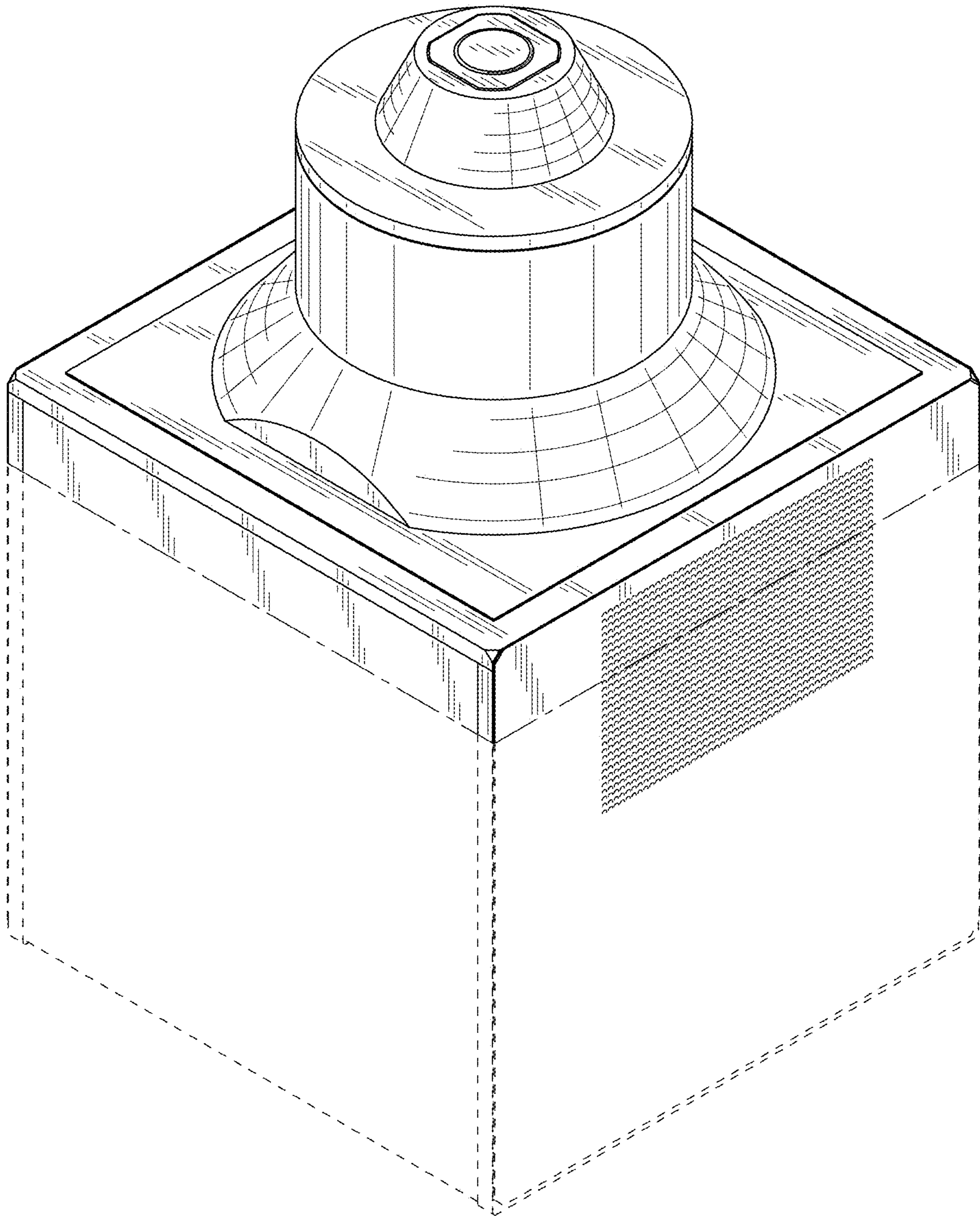


FIG. 7

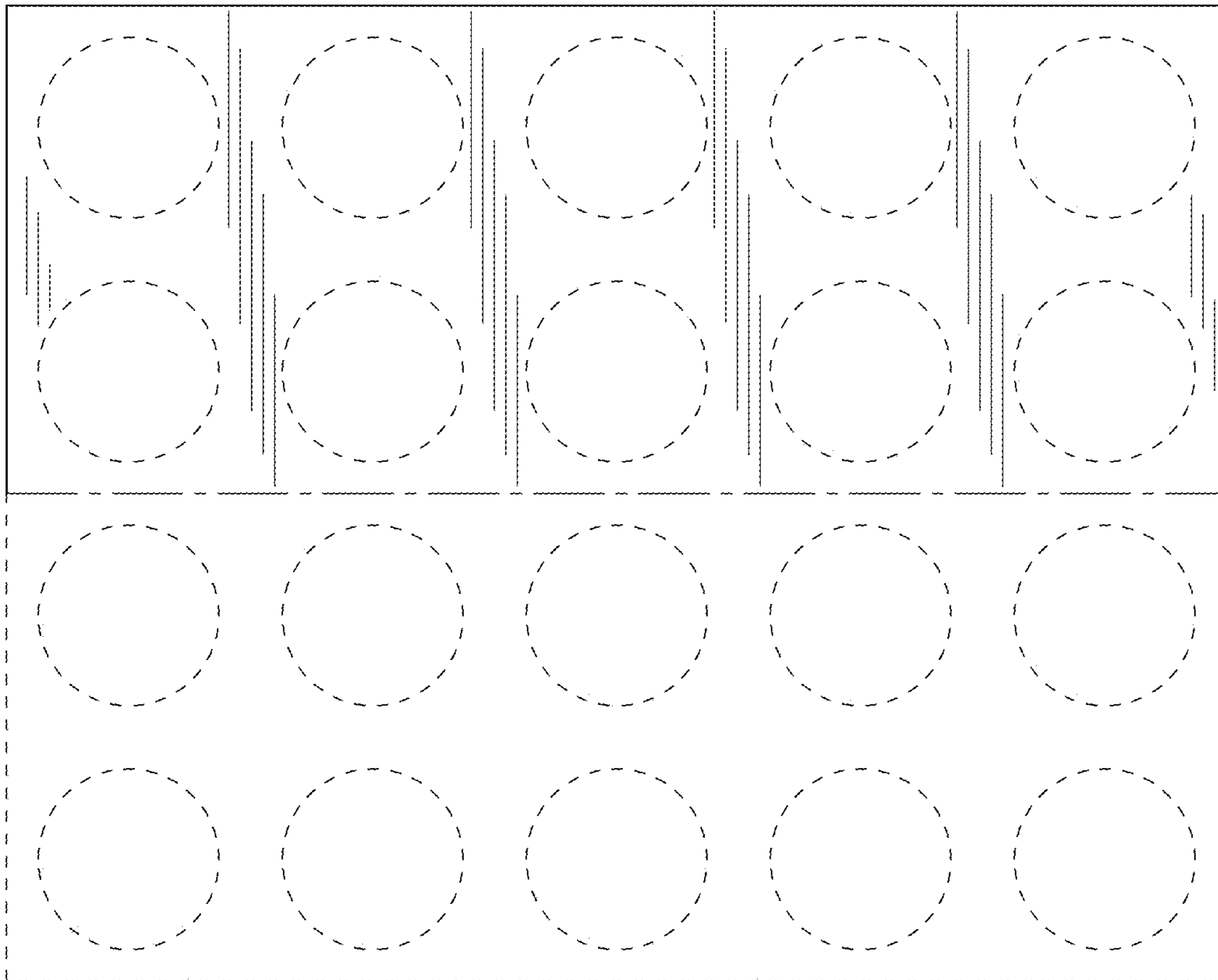


FIG. 8