



US00D919090S

(12) **United States Design Patent** (10) **Patent No.:** **US D919,090 S**
Li et al. (45) **Date of Patent:** **** May 11, 2021**

(54) **IMAGING APPARATUS**

(71) Applicant: **GE Precision Healthcare LLC**,
Milwaukee, WI (US)

(72) Inventors: **Jundong Li**, Beijing (CN); **Samuel Lee Alder**, Stansbury Park, UT (US); **Tie Chang Liu**, Beijing (CN); **David Barker**, Salt Lake City, UT (US)

(73) Assignee: **GE PRECISION HEALTHCARE LLC**, Milwaukee, WI (US)

(**) Term: **15 Years**

(21) Appl. No.: **29/682,357**

(22) Filed: **Mar. 4, 2019**

(51) **LOC (13) Cl.** **24-01**

(52) **U.S. Cl.**
USPC **D24/158**

(58) **Field of Classification Search**
USPC D24/158-160, 107, 185, 186
CPC .. A61B 5/05; A61B 5/055; A61B 6/03; A61B 6/035; A61B 6/4405; A61B 6/4411; A61B 6/4435; A61B 6/4441; A61B 6/4447
See application file for complete search history.

(56) **References Cited**

U.S. PATENT DOCUMENTS

D366,701 S	1/1996	Mazess et al.	
6,142,667 A *	11/2000	Pattee	A61B 6/4405 378/197
D648,028 S *	11/2011	Yokoyama	D24/158
D658,762 S *	5/2012	Yokoyama	D24/158
D702,837 S *	4/2014	Dinse	D24/158
D735,863 S *	8/2015	Doerre	D24/158
D796,043 S *	8/2017	Boehner	D24/158
D836,779 S	12/2018	Alder et al.	
D868,260 S *	11/2019	Achleitner	D24/158

D884,182 S *	5/2020	Horndler	D24/158
2008/0123819 A1 *	5/2008	Jensen	A61B 6/4405 378/198
2018/0296174 A1 *	10/2018	Barker	A61B 6/4405

* cited by examiner

Primary Examiner — Anhdao Doan
(74) *Attorney, Agent, or Firm* — McCoy Russell LLP

(57) **CLAIM**

The ornamental design for an imaging apparatus, as shown and described.

DESCRIPTION

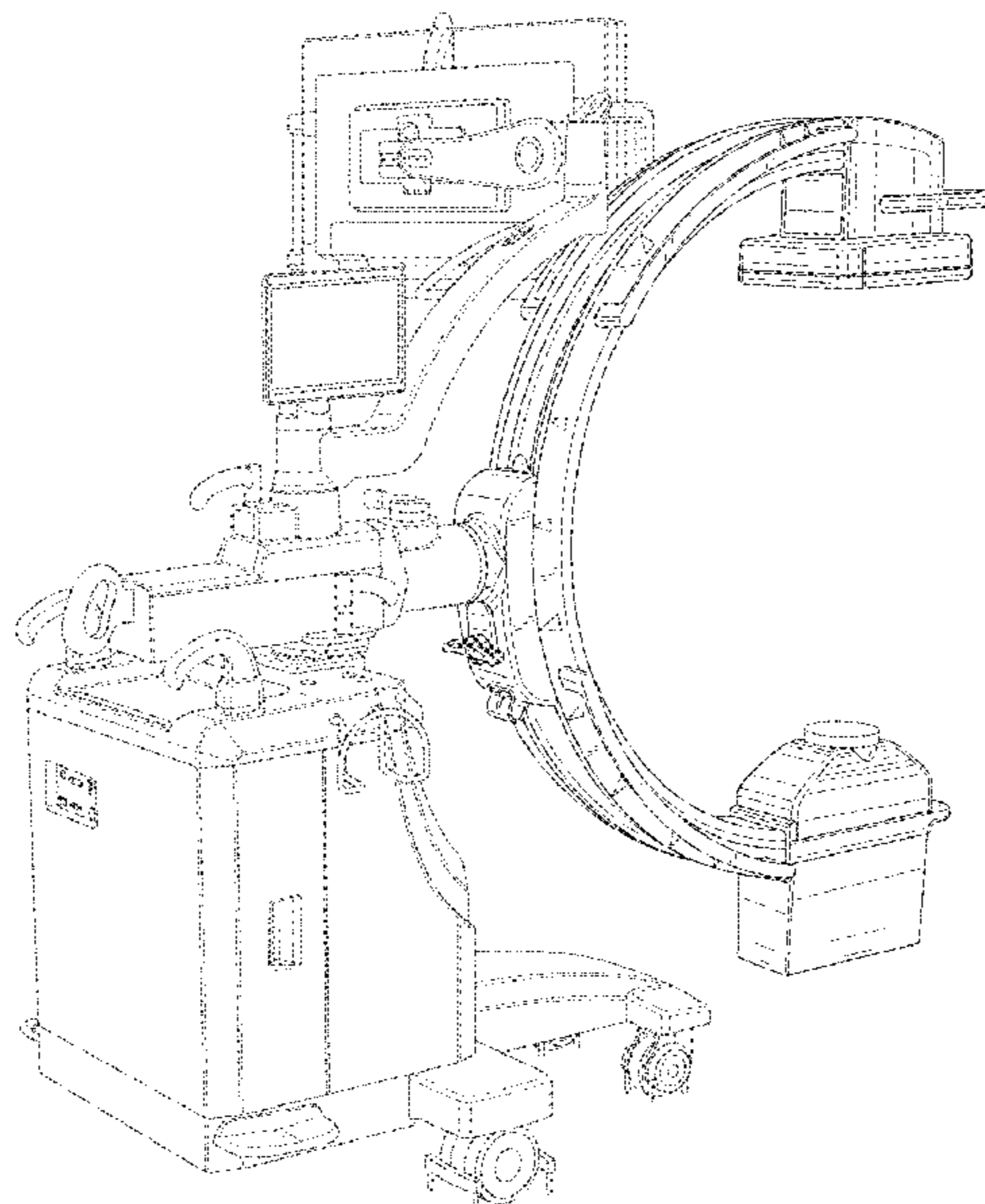
FIG. 1 is a rear-right perspective view of an imaging apparatus according to the present invention.
 FIG. 2 is a front view of the imaging apparatus.
 FIG. 3 is a rear view of the imaging apparatus.
 FIG. 4 is a right side view of the imaging apparatus.
 FIG. 5 is a left side view of the imaging apparatus.
 FIG. 6 is a top view of the imaging apparatus.
 FIG. 7 is a bottom view of the imaging apparatus.
 FIG. 8 is a sectional view of the imaging apparatus along 8-8 in FIG. 4.
 FIG. 9 is a sectional view of the imaging apparatus along 9-9 in FIG. 5.
 FIG. 10 is an enlarged view of the encircled portion of FIG. 4; and,
 FIG. 11 is an enlarged view of the encircled portion of FIG. 9.

The dash-dash broken lines in FIGS. 1-9 illustrate portions of the imaging apparatus that form no part of the claimed design.

The dash-dot-dot-dash broken lines in FIGS. 4 and 5 showing the sectional lines and the encircled portions of the imaging apparatus form no part of the claimed design.

The right side view of the handle of the imaging apparatus shown in the enlargement of FIG. 10 is mirror symmetrical to the opposite side view thereof.

1 Claim, 11 Drawing Sheets



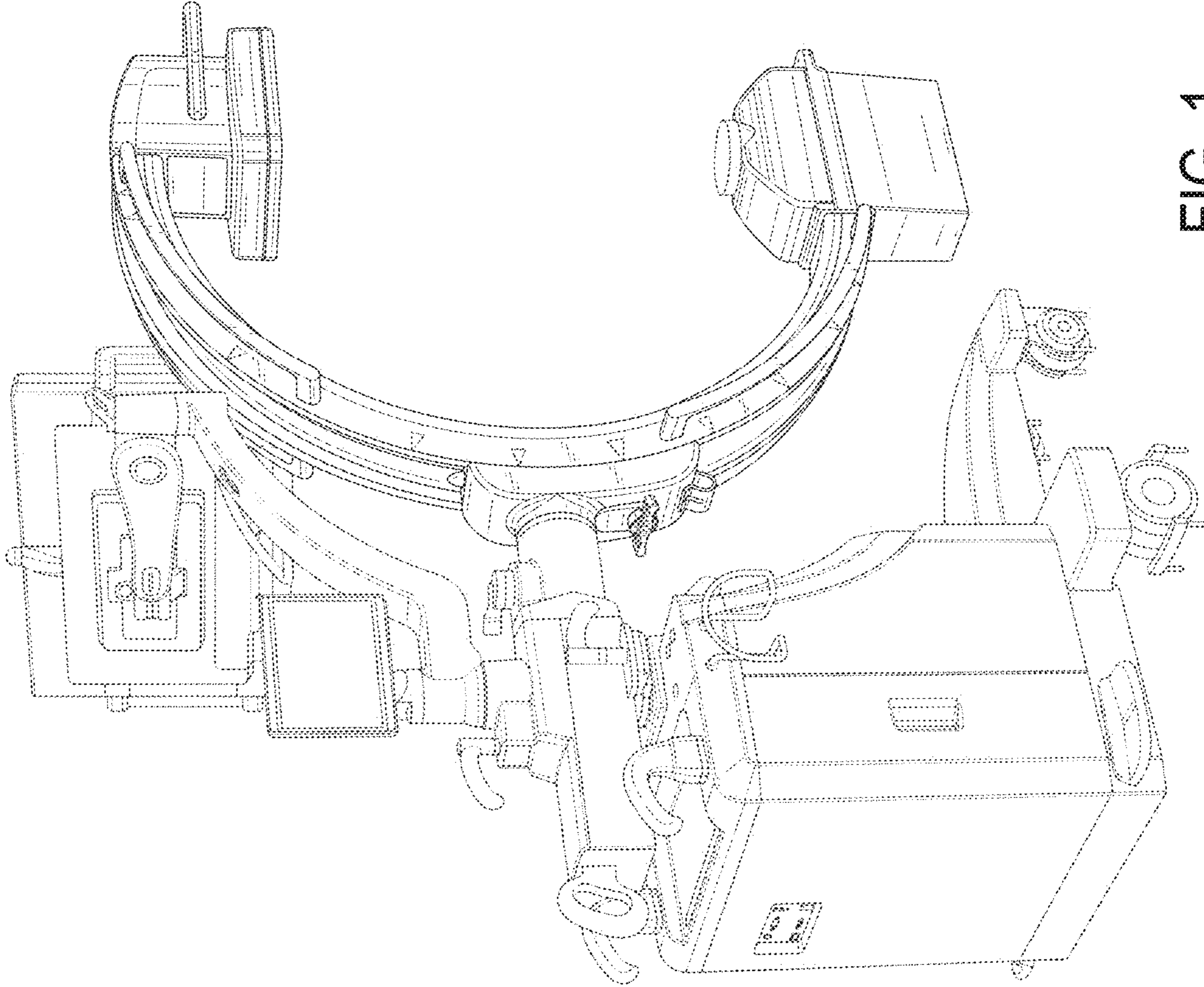


FIG. 1

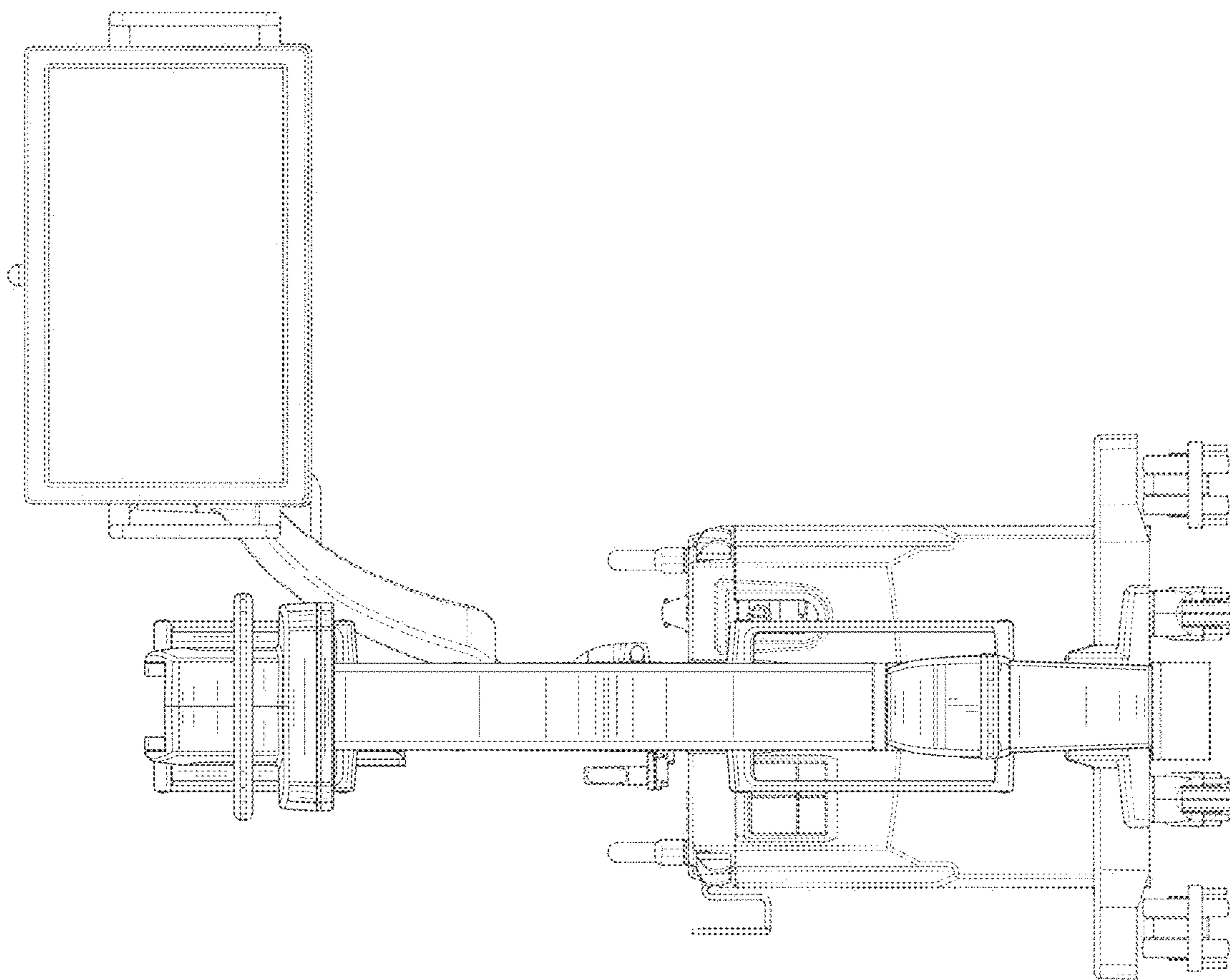


FIG. 2

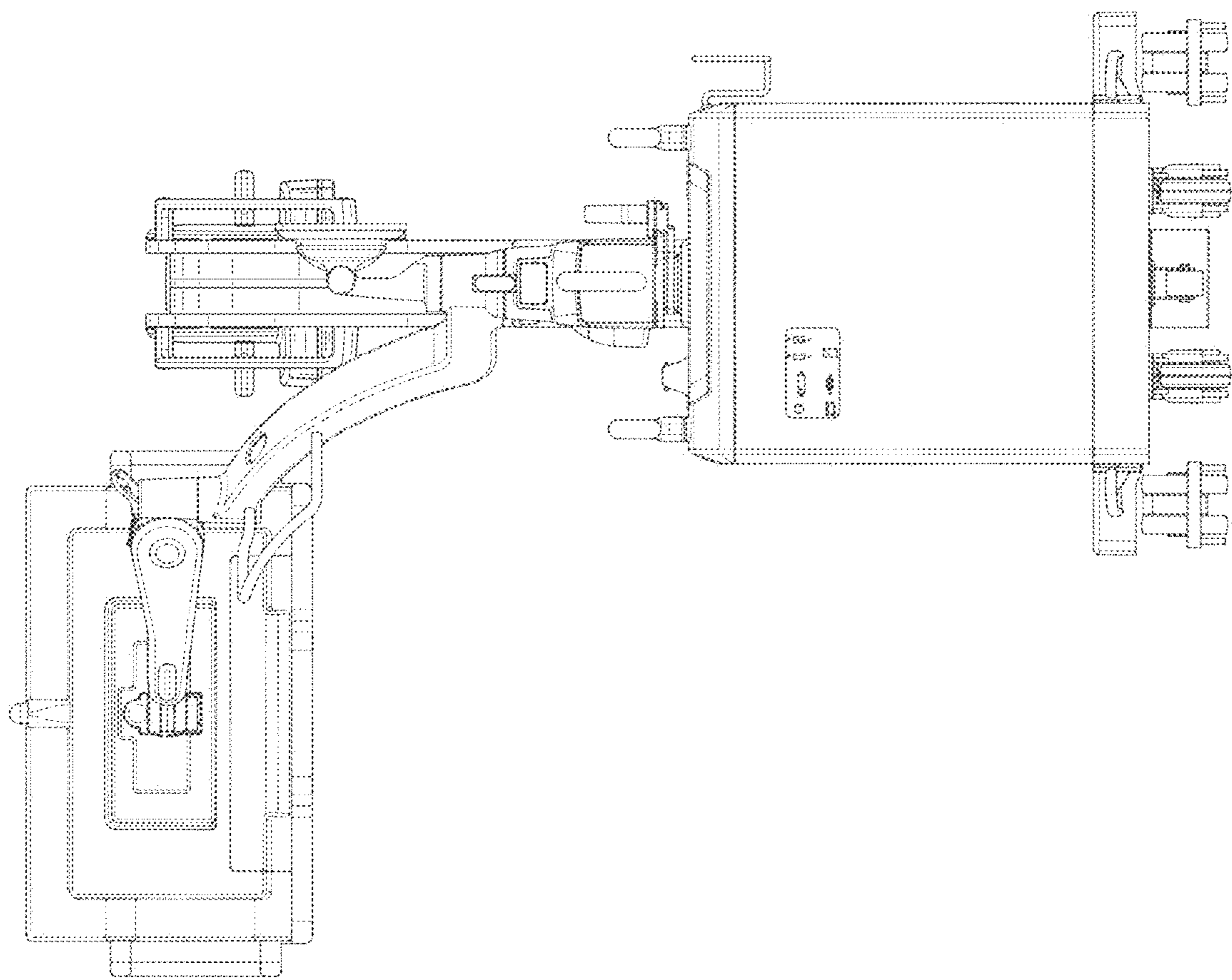


FIG. 3

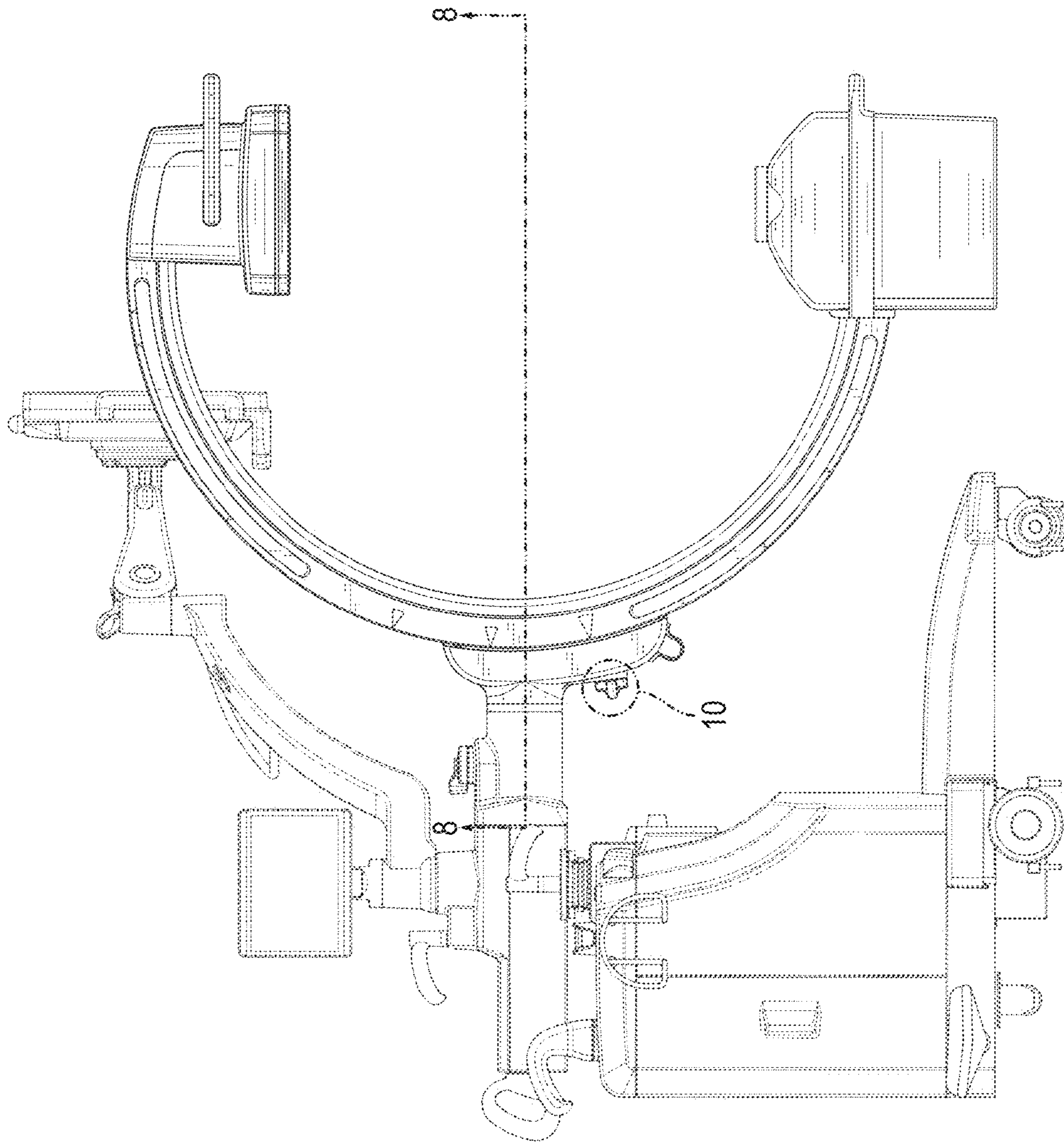


FIG. 4

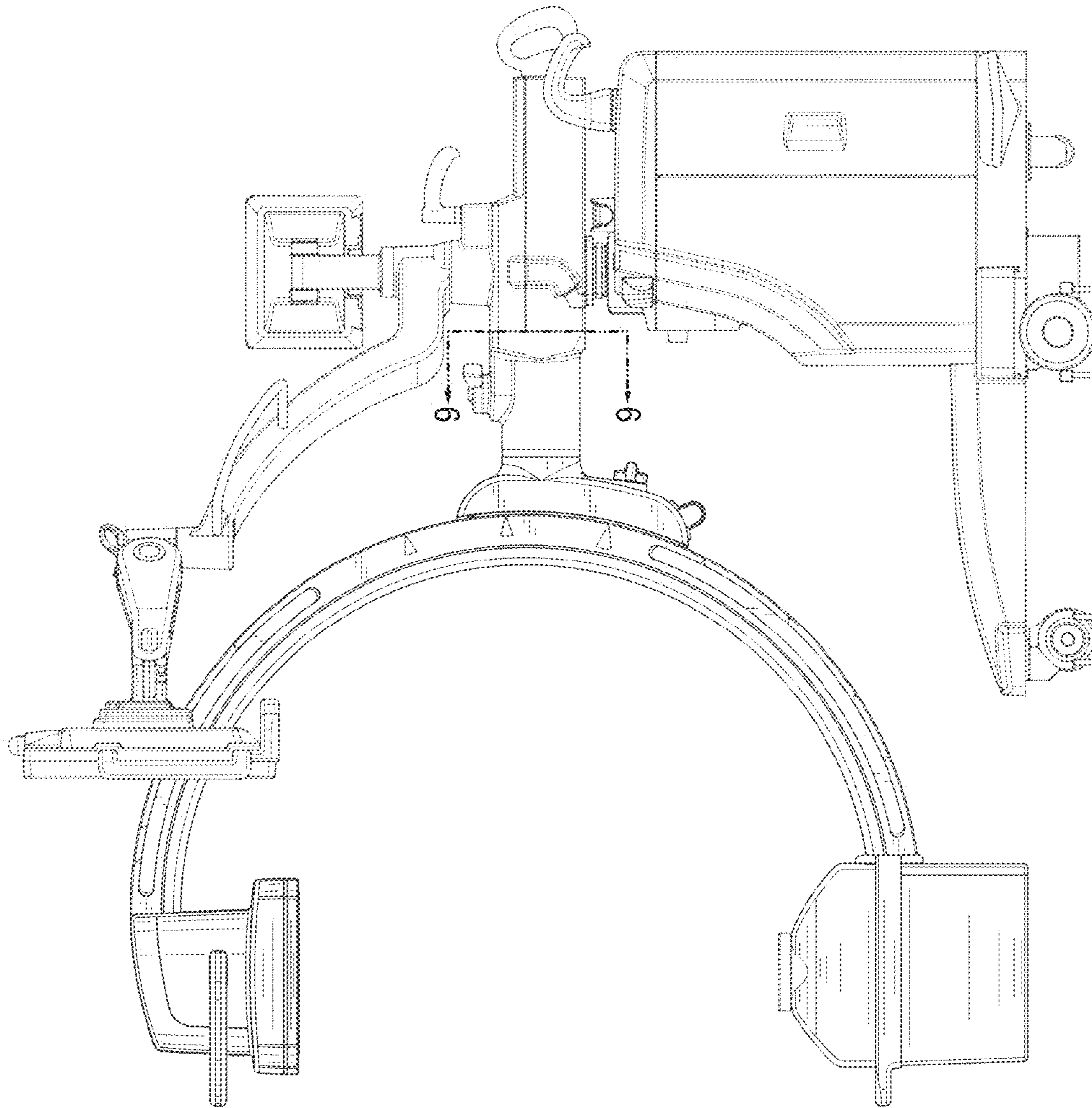


FIG. 5

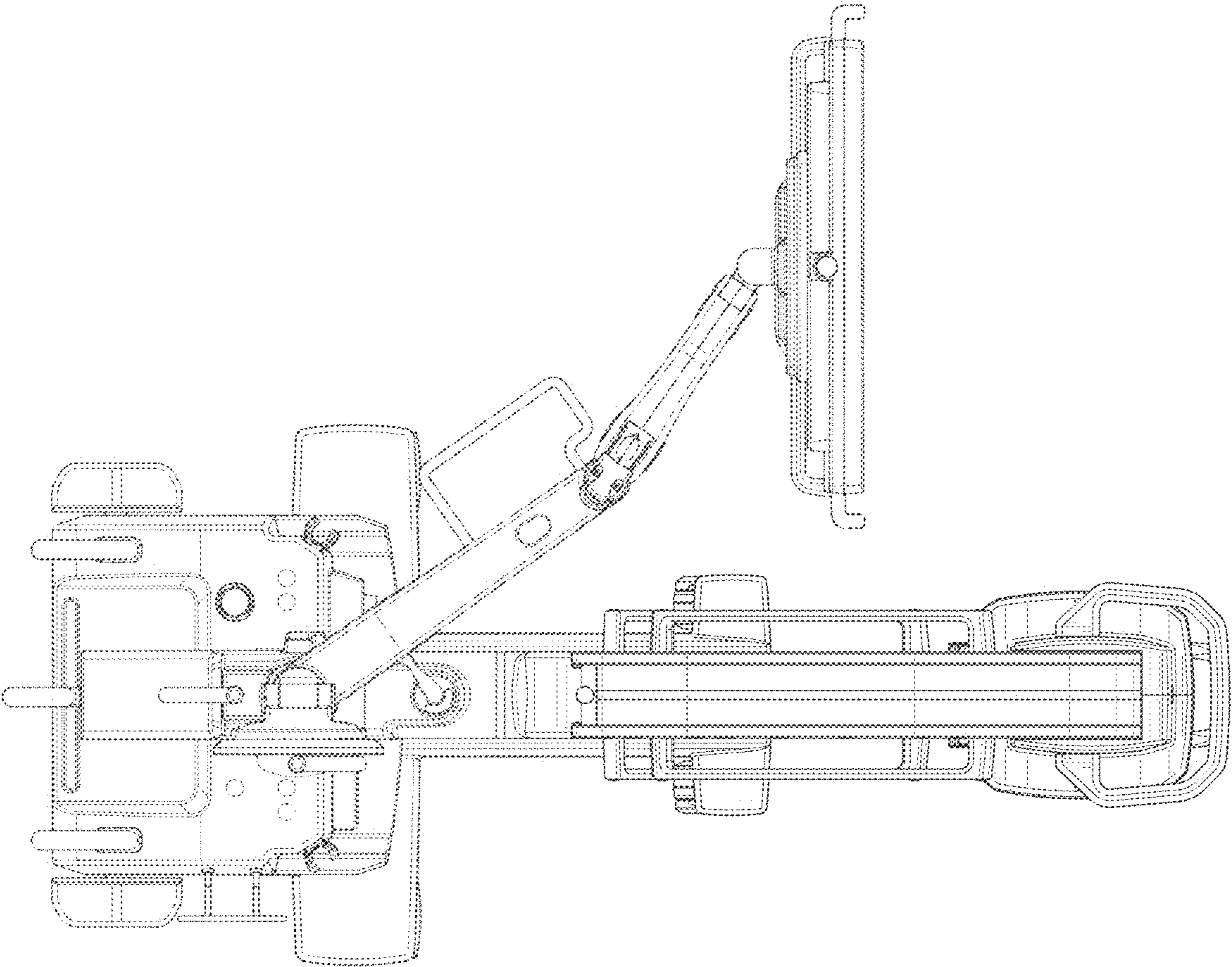


FIG. 6

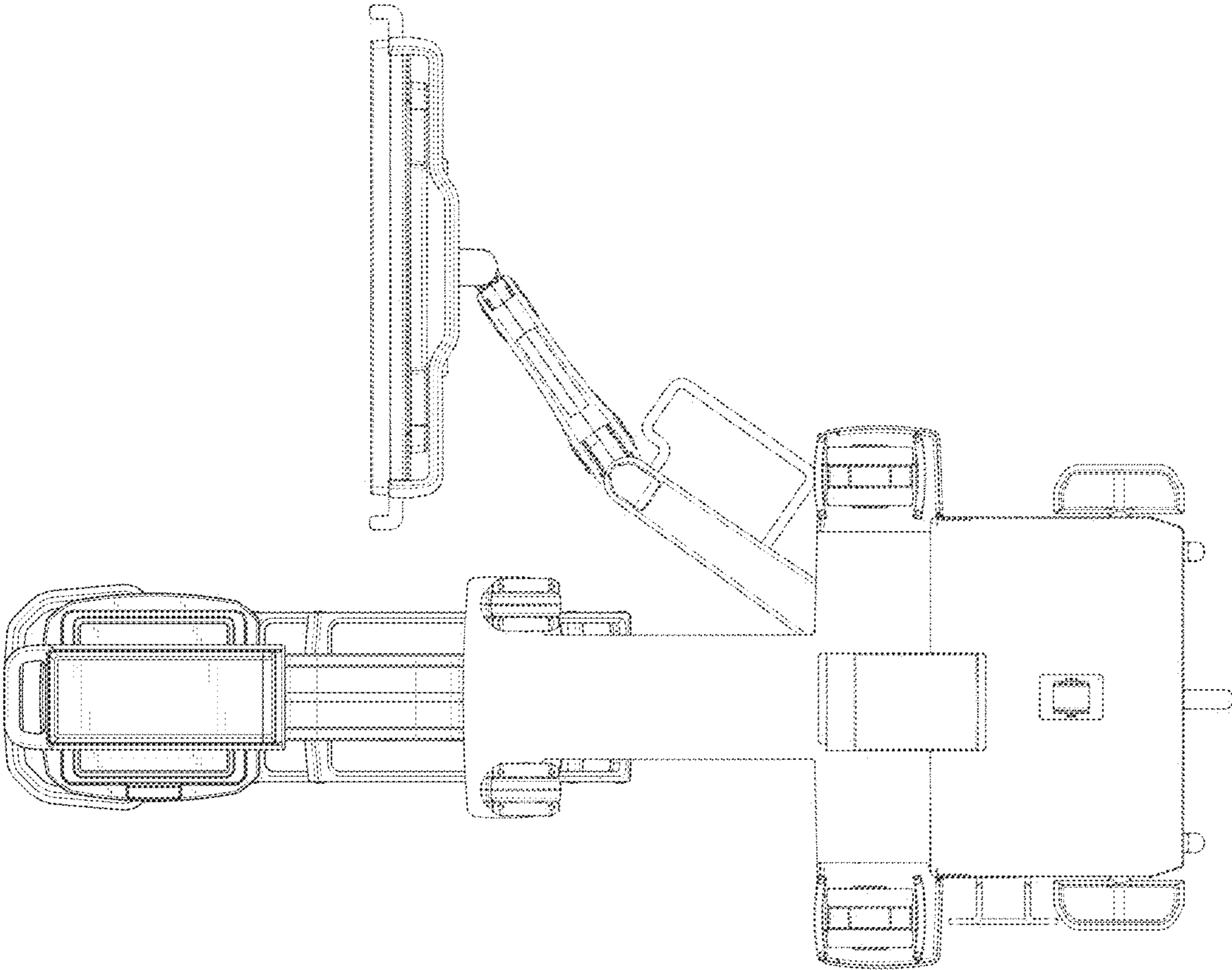


FIG. 7

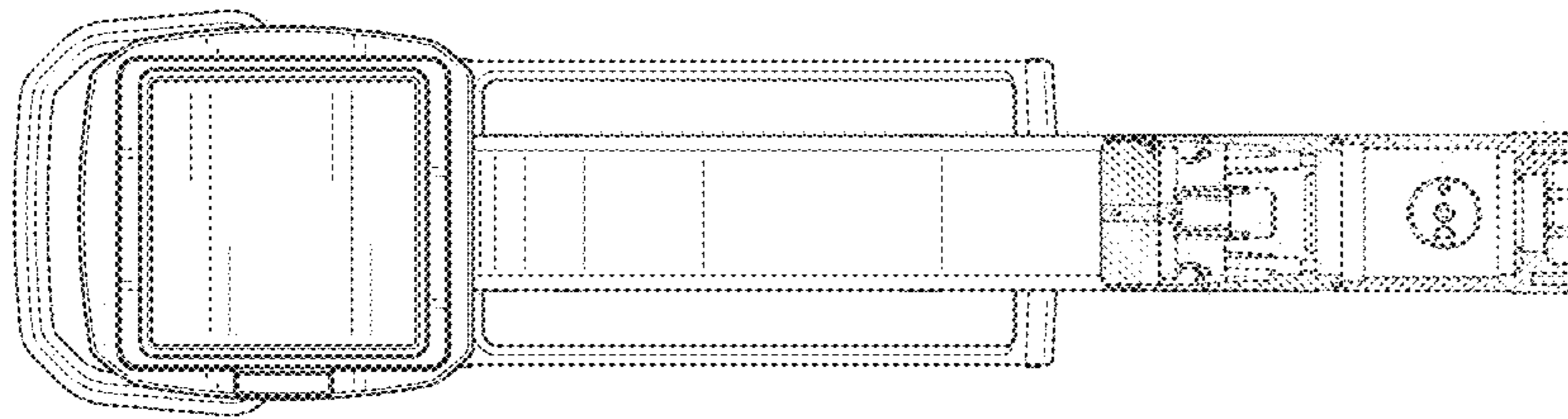


FIG. 8

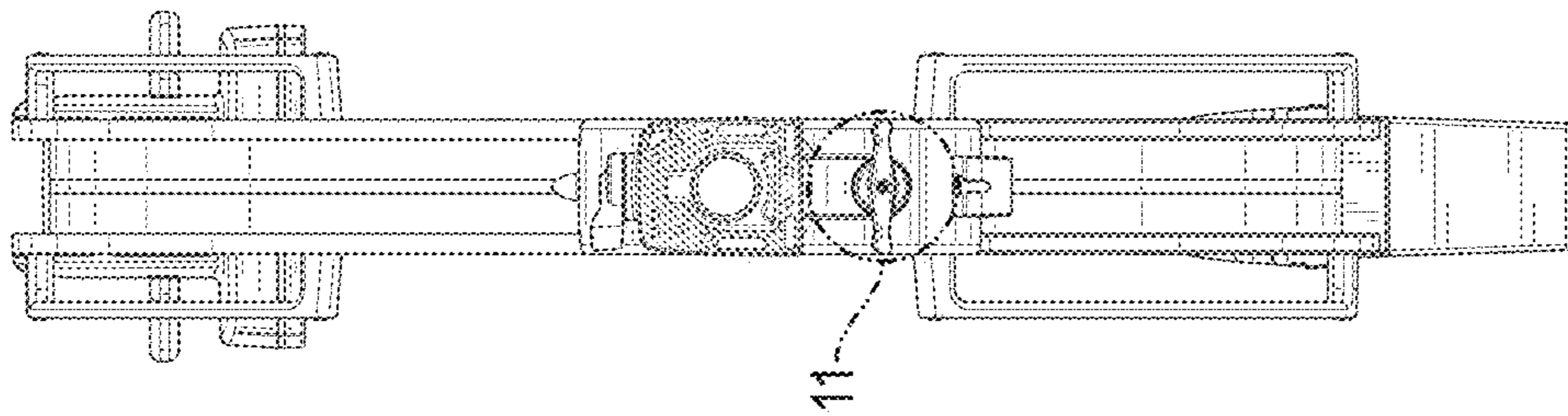


FIG. 9

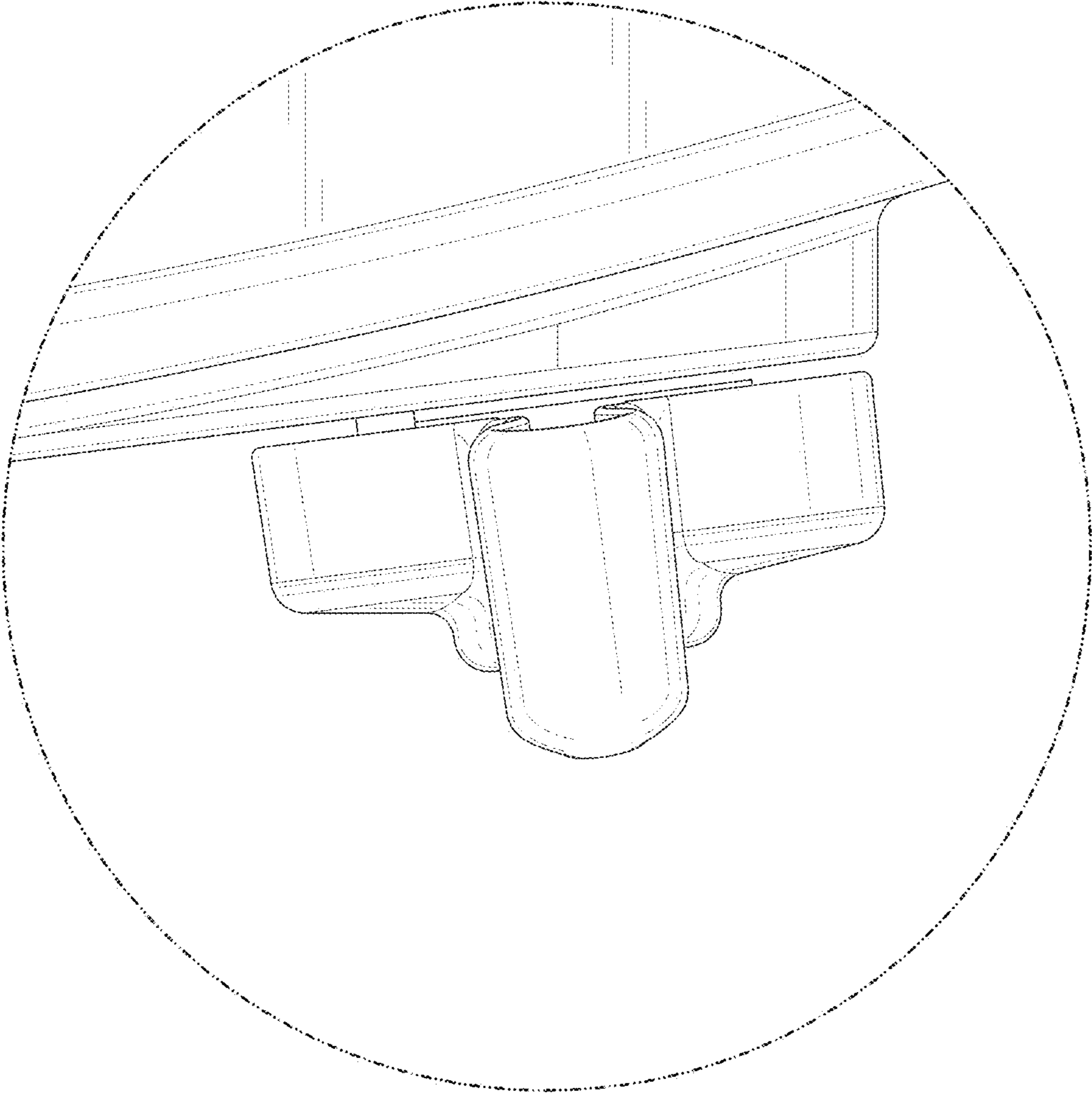


FIG. 10

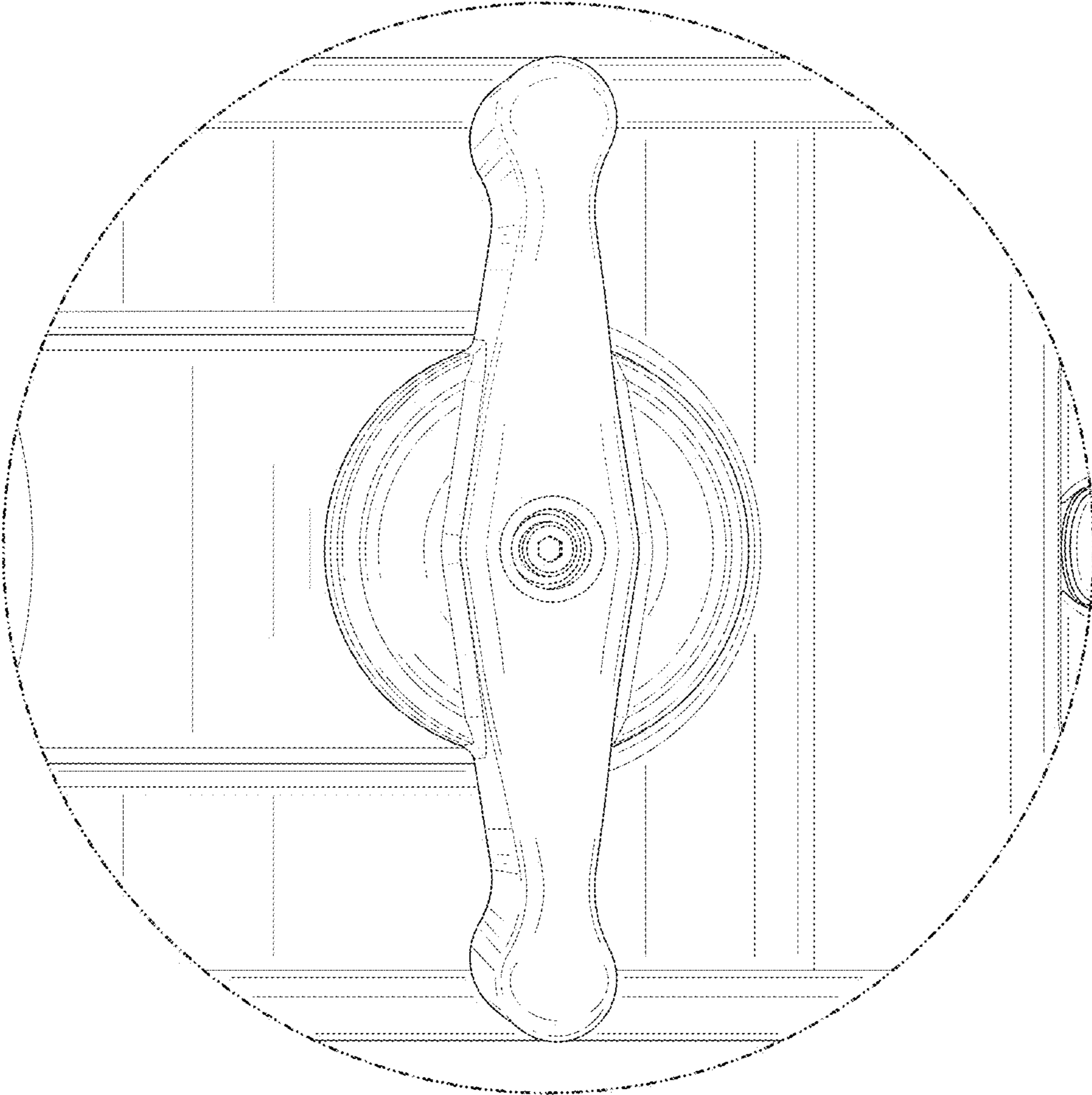


FIG. 11