



US00D919089S

(12) **United States Design Patent** (10) **Patent No.:** **US D919,089 S**
Termanini et al. (45) **Date of Patent:** **** *May 11, 2021**

(54) **ACETABULAR CUP LINER**
(71) Applicant: **JOINT INNOVATION TECHNOLOGY, LLC.**, Boca Raton, FL (US)
(72) Inventors: **Zafer Termanini**, Port Saint Lucie, FL (US); **George A. Diamantoni**, Boca Raton, FL (US); **Brian Vanhiel**, Smyrna, GA (US); **Taylor Davis**, Atlanta, GA (US)

(73) Assignee: **JOINT INNOVATION TECHNOLOGY, LLC.**, Boca Raton, FL (US)

(*) Notice: This patent is subject to a terminal disclaimer.

(**) Term: **15 Years**

(21) Appl. No.: **29/626,204**

(22) Filed: **Nov. 15, 2017**

(51) **LOC (13) Cl.** **24-03**

(52) **U.S. Cl.**
USPC **D24/155**

(58) **Field of Classification Search**
USPC D24/155-157
CPC A61F 2/36; A61F 2/3662; A61F 2/30767; A61F 2/34; A61F 2002/3631; A61F 2002/30332; A61F 2002/365; A61F 2002/30507; A61F 2310/00029
See application file for complete search history.

(56) **References Cited**

U.S. PATENT DOCUMENTS

5,049,158 A * 9/1991 Engelhardt A61F 2/34 403/326
5,171,285 A * 12/1992 Broderick A61F 2/34 623/22.25

5,658,347 A * 8/1997 Sarkisian A61B 17/1666 623/22.22
5,904,688 A * 5/1999 Gilbert A61F 2/4609 606/81
5,938,702 A * 8/1999 Lopez A61F 2/468 623/22.24
7,267,693 B1 * 9/2007 Mandell A61F 2/30721 623/22.28
D618,800 S * 6/2010 Mayon D24/155
8,308,811 B2 * 11/2012 Newsome A61F 2/30721 623/22.21

(Continued)

Primary Examiner — Charles D Hanson

(74) *Attorney, Agent, or Firm* — Norris McLaughlin PA

(57) **CLAIM**

The ornamental design for an acetabular cup liner, as shown and described.

DESCRIPTION

This application claims priority to U.S. Ser. No. 62/509,304 filed May 22, 2017, the entirety of which is herein incorporated herein by reference.

FIG. 1 is a front perspective view of a first embodiment of an acetabular cup liner;

FIG. 2 is a first side elevational view thereof;

FIG. 3 is a second side elevational view thereof;

FIG. 4 is a front side elevational view thereof;

FIG. 5 is a rear side elevational view thereof;

FIG. 6 is a top plan view thereof; and

FIG. 7 is a bottom plan view thereof.

FIG. 8 is a front perspective view of a second embodiment of an acetabular cup liner;

FIG. 9 is a first side elevational view thereof;

FIG. 10 is a second side elevational view thereof;

FIG. 11 is a front side elevational view thereof;

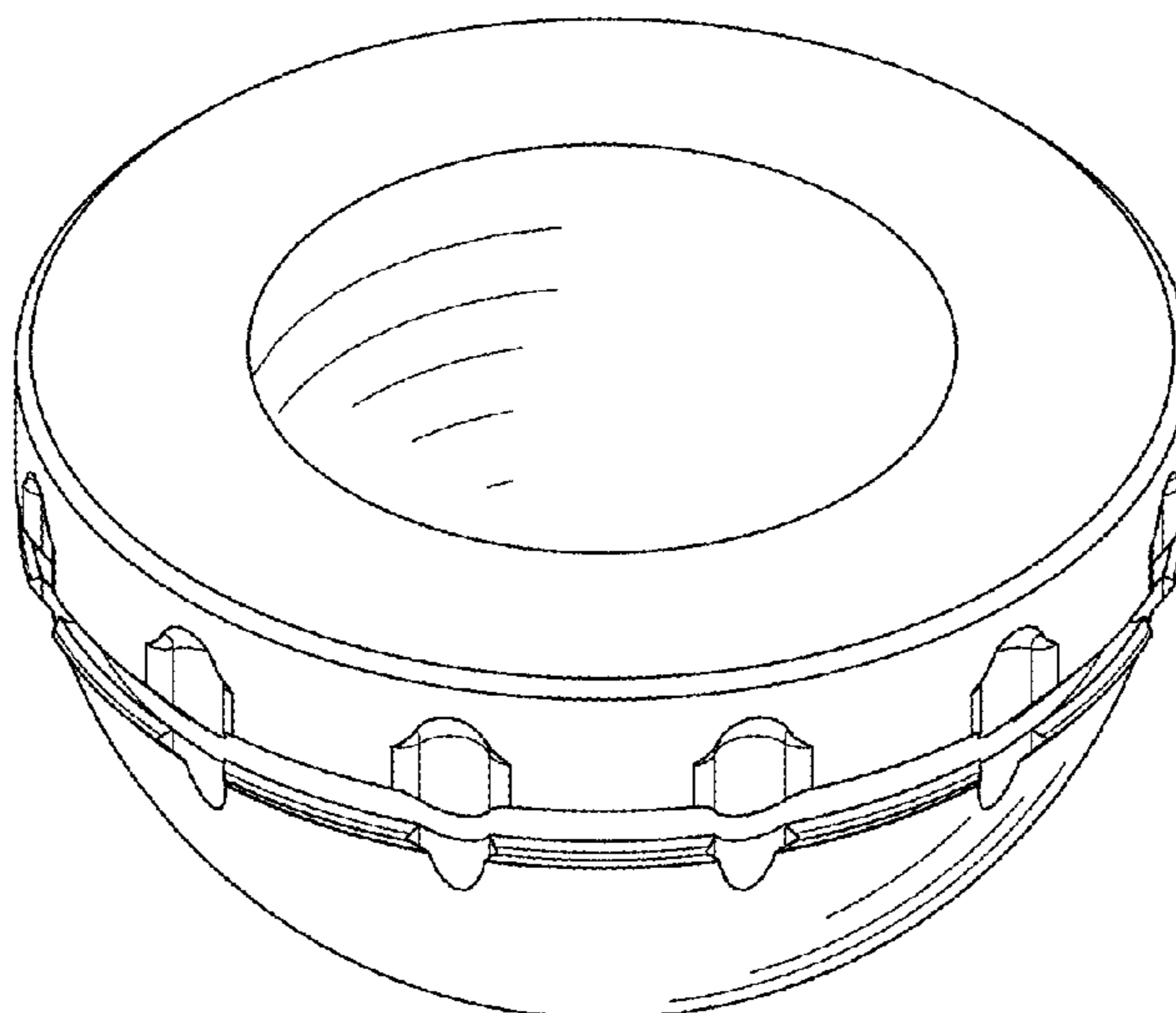
FIG. 12 is a rear side elevational view thereof;

FIG. 13 is a top plan view thereof; and,

FIG. 14 is a bottom plan view thereof.

Portions of the figures enclosed in broken lines form no part of the claimed design.

1 Claim, 14 Drawing Sheets



(56)

References Cited

U.S. PATENT DOCUMENTS

8,372,155 B2 * 2/2013 Tuke A61F 2/34
623/22.21
8,641,771 B2 * 2/2014 Caylor, III A61B 5/4528
623/22.28
9,144,497 B2 * 9/2015 Sun A61F 2/34
9,180,013 B2 * 11/2015 Grostefon A61F 2/34
9,220,599 B2 * 12/2015 Meridew A61F 2/34
9,308,102 B2 * 4/2016 McCarthy A61F 2/4684
D765,845 S * 9/2016 Prybyla D24/155
9,820,853 B2 * 11/2017 Meridew A61F 2/32
9,820,854 B2 * 11/2017 Preuss A61F 2/34
9,931,213 B2 * 4/2018 Sartawi A61F 2/34
9,987,148 B2 * 6/2018 Li A61F 2/4609

* cited by examiner

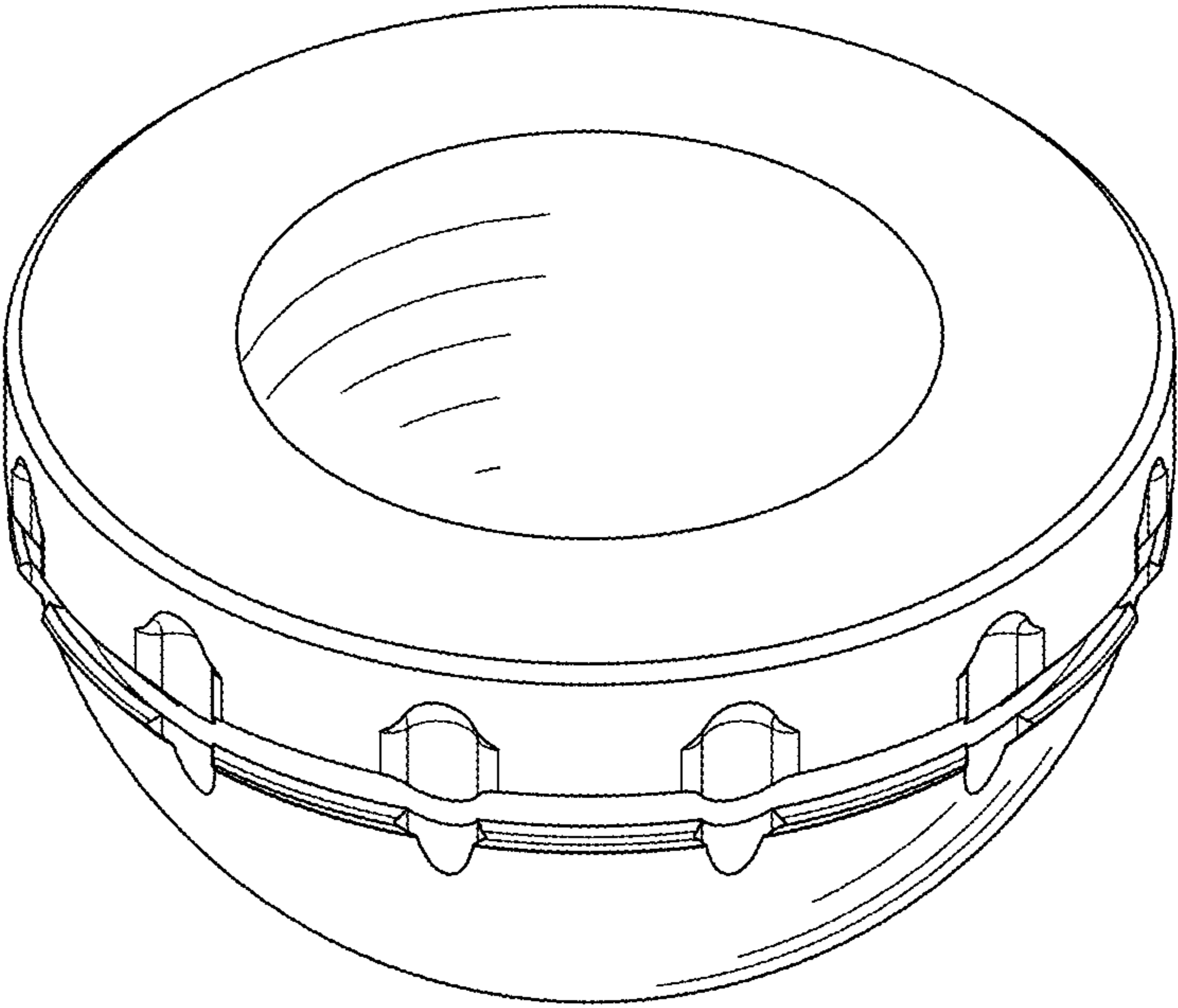


FIG.1

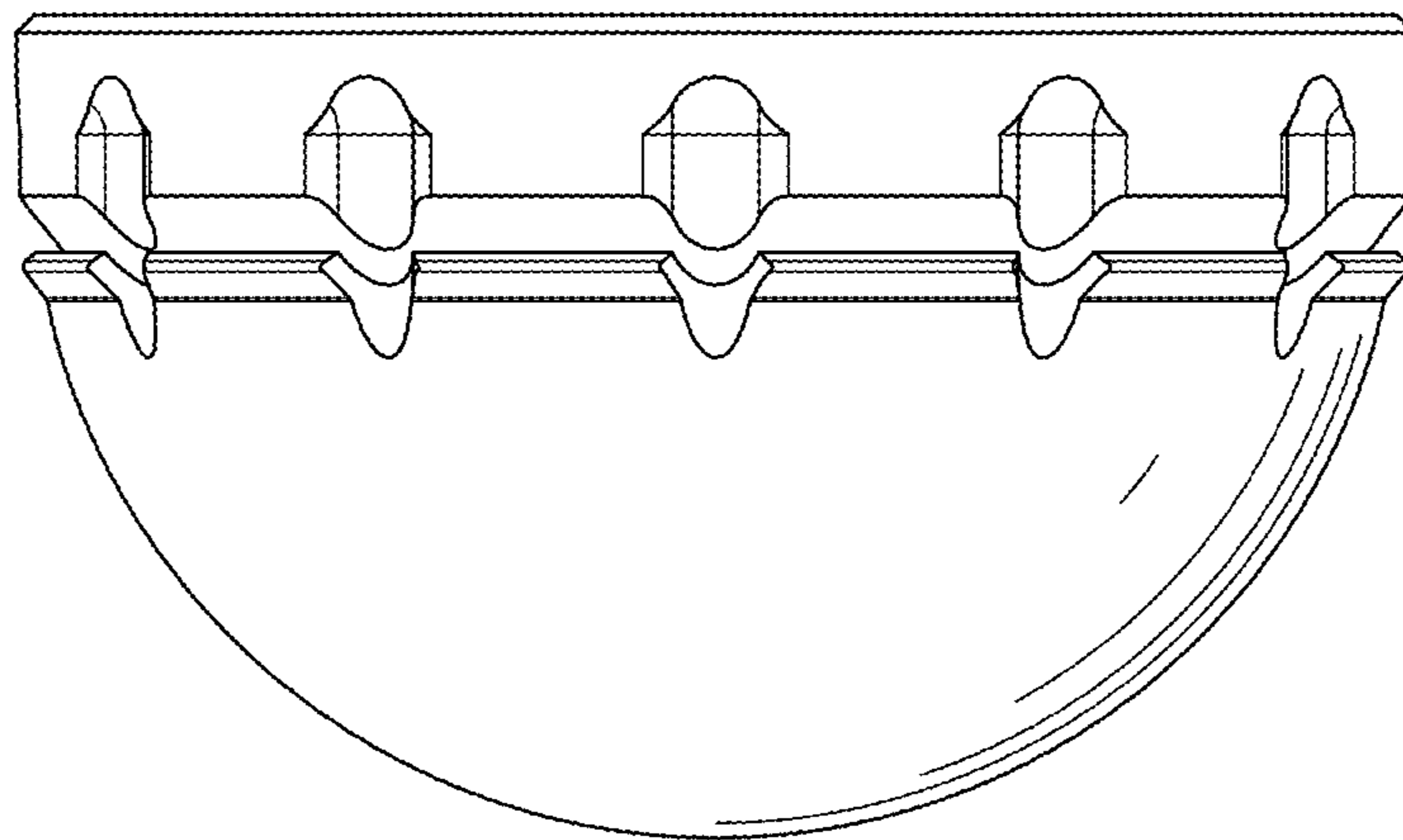


FIG. 2

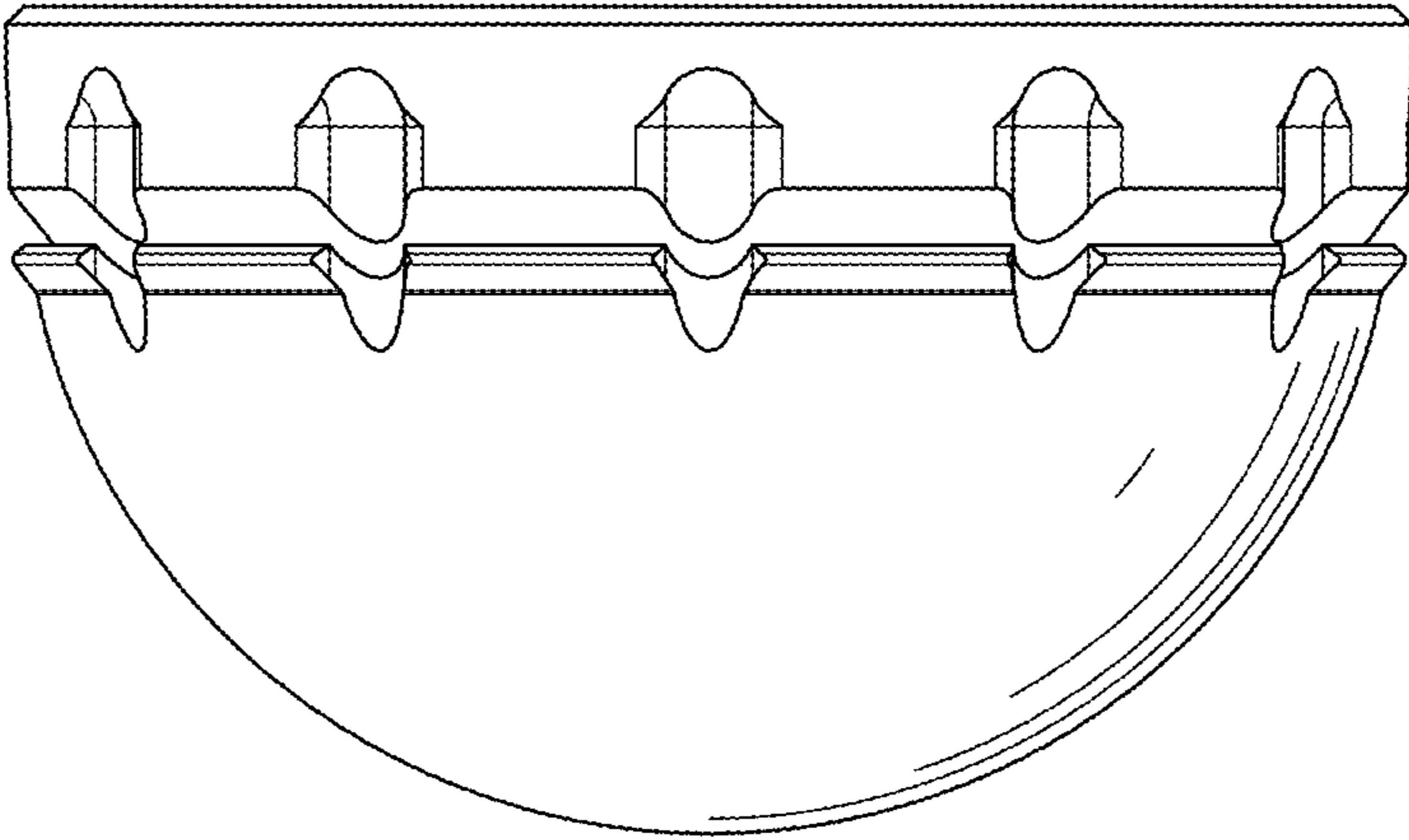


FIG. 3

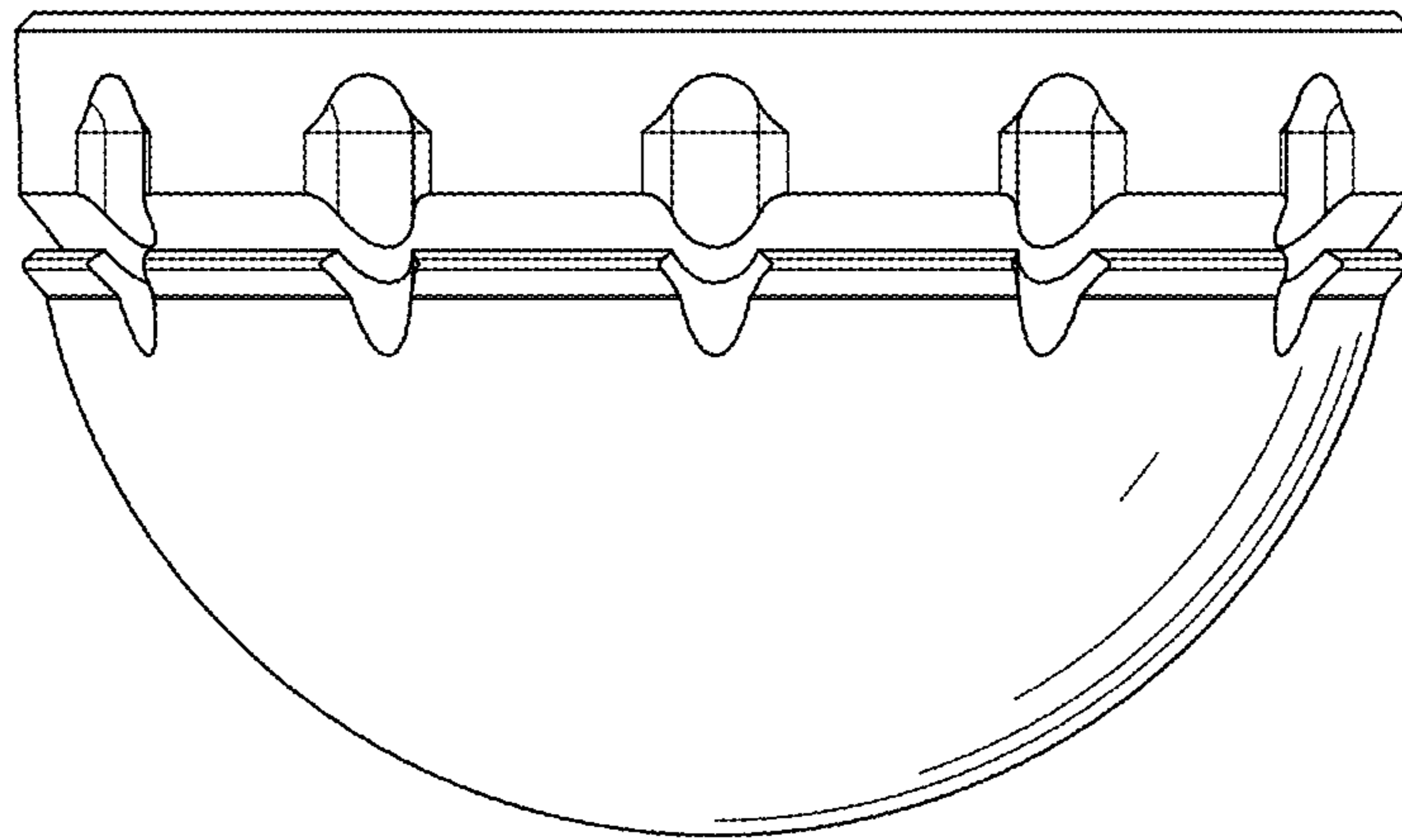


FIG. 4

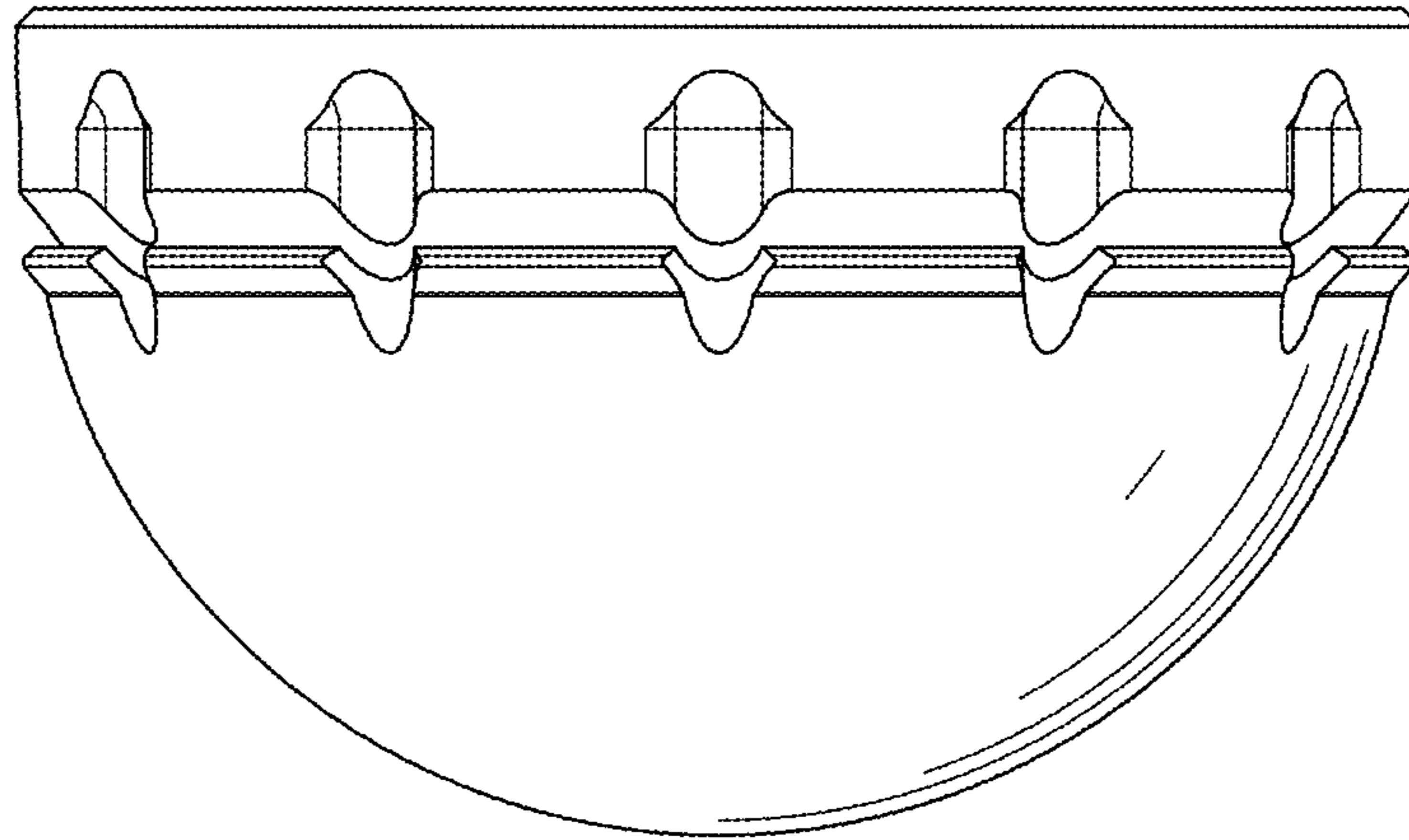


FIG. 5

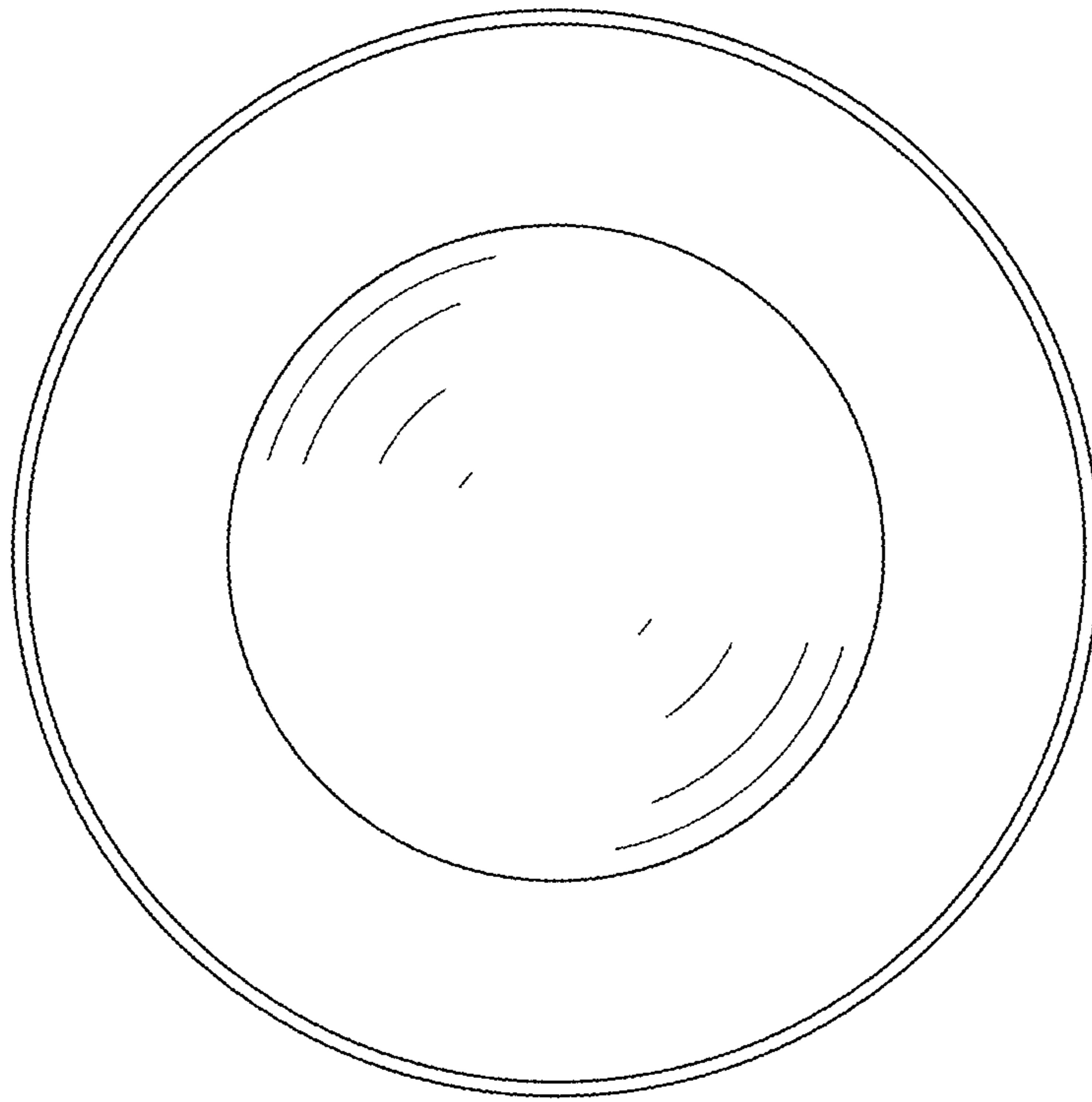


FIG. 6

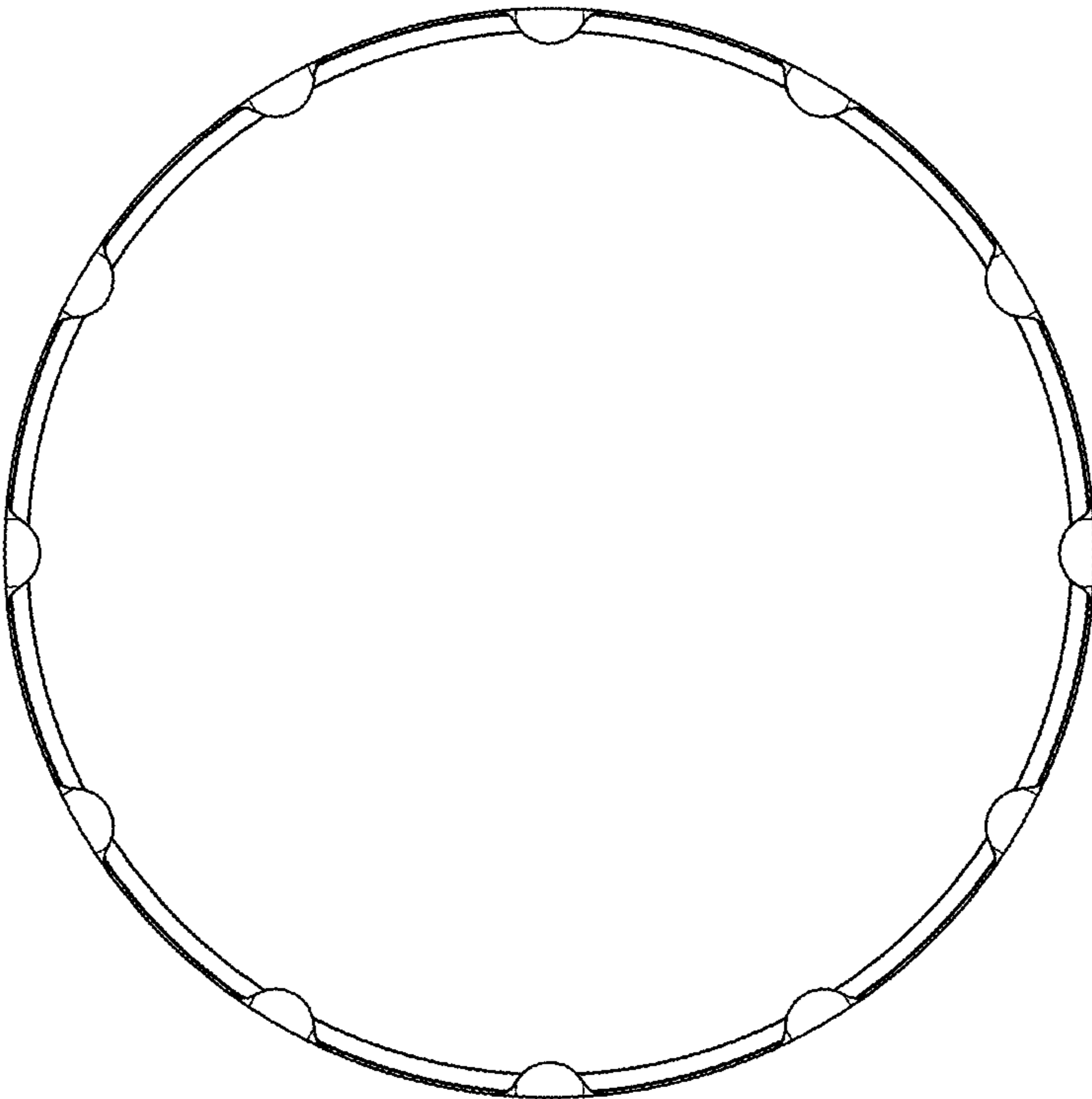


FIG. 7

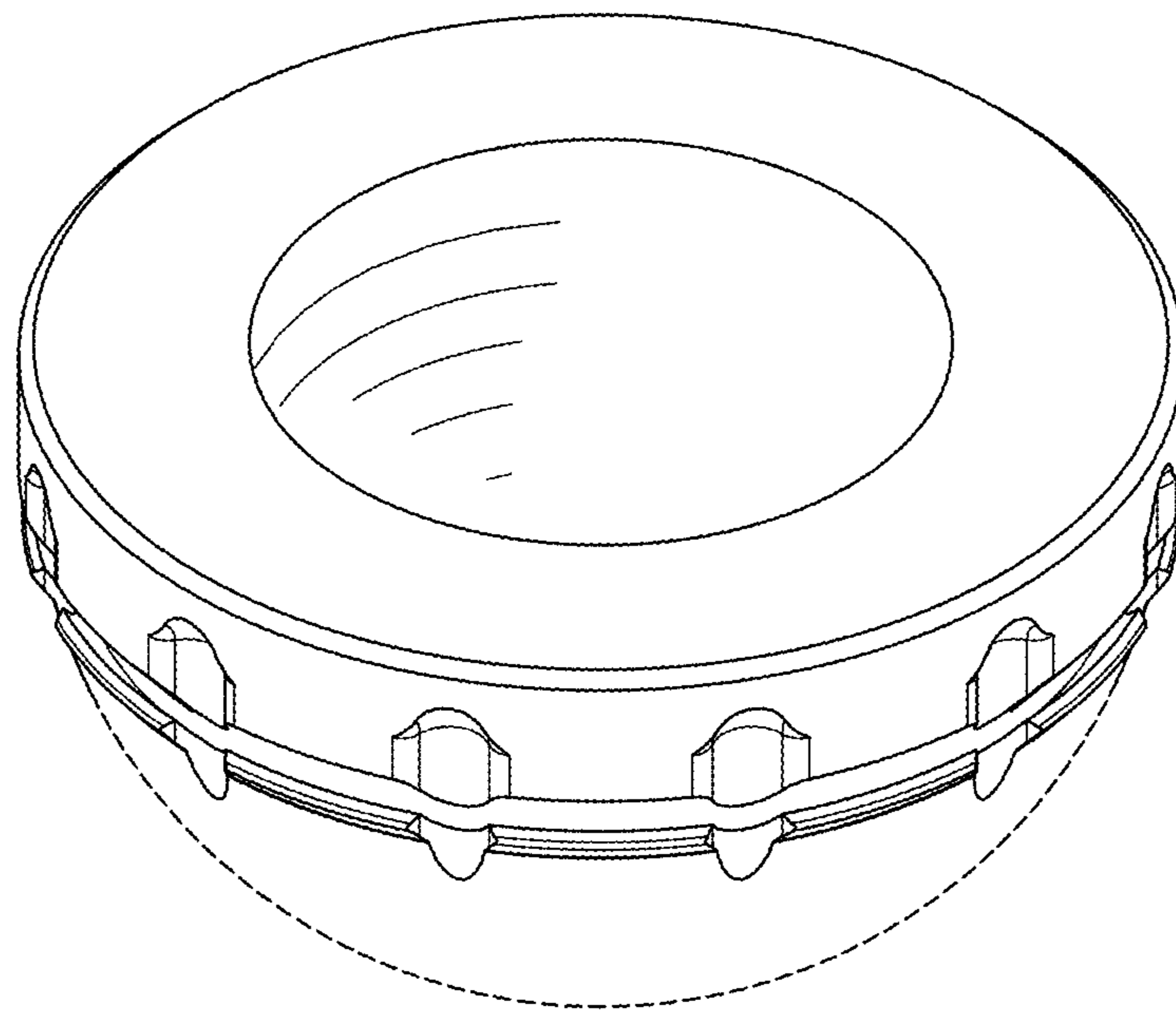


FIG.8

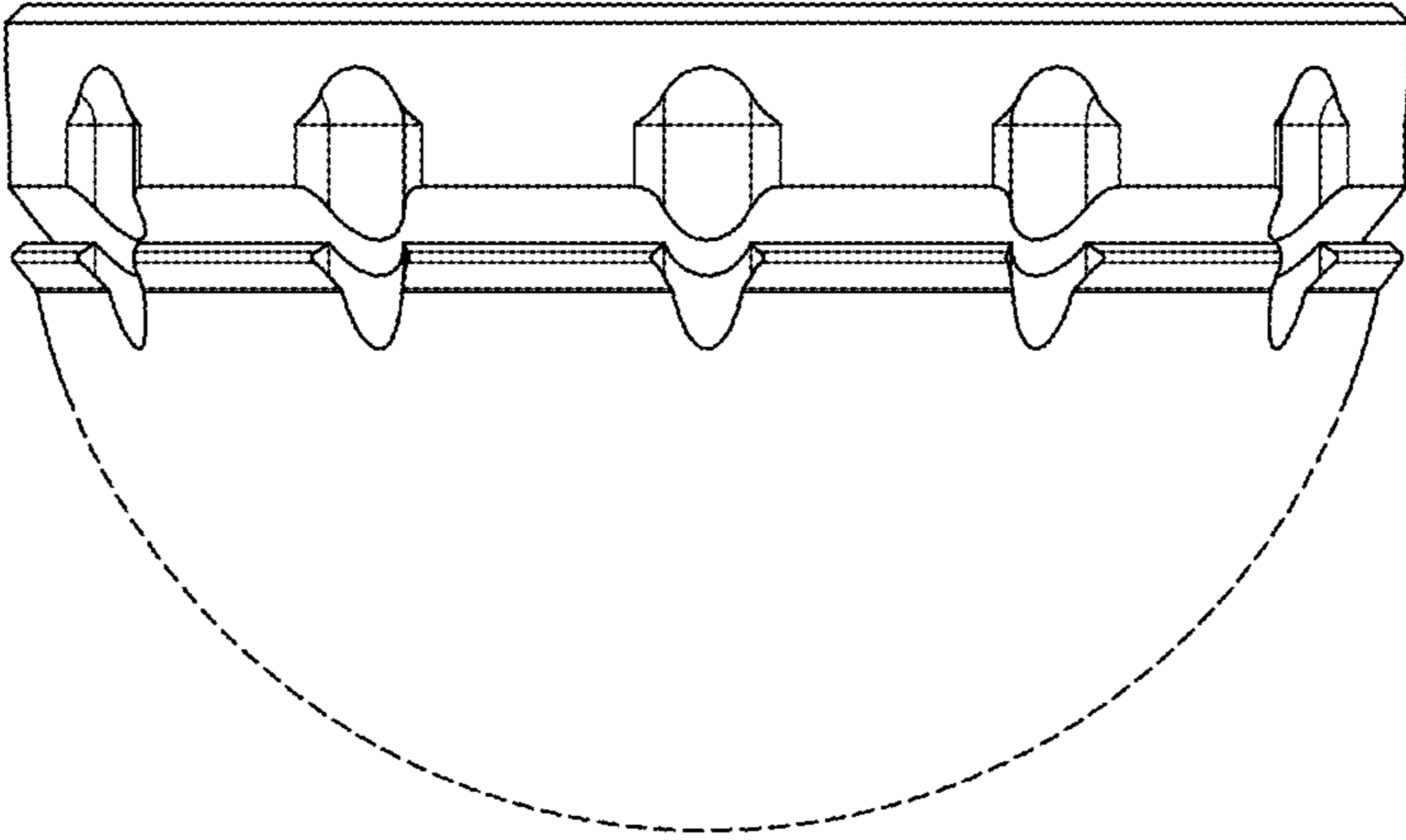


FIG.9

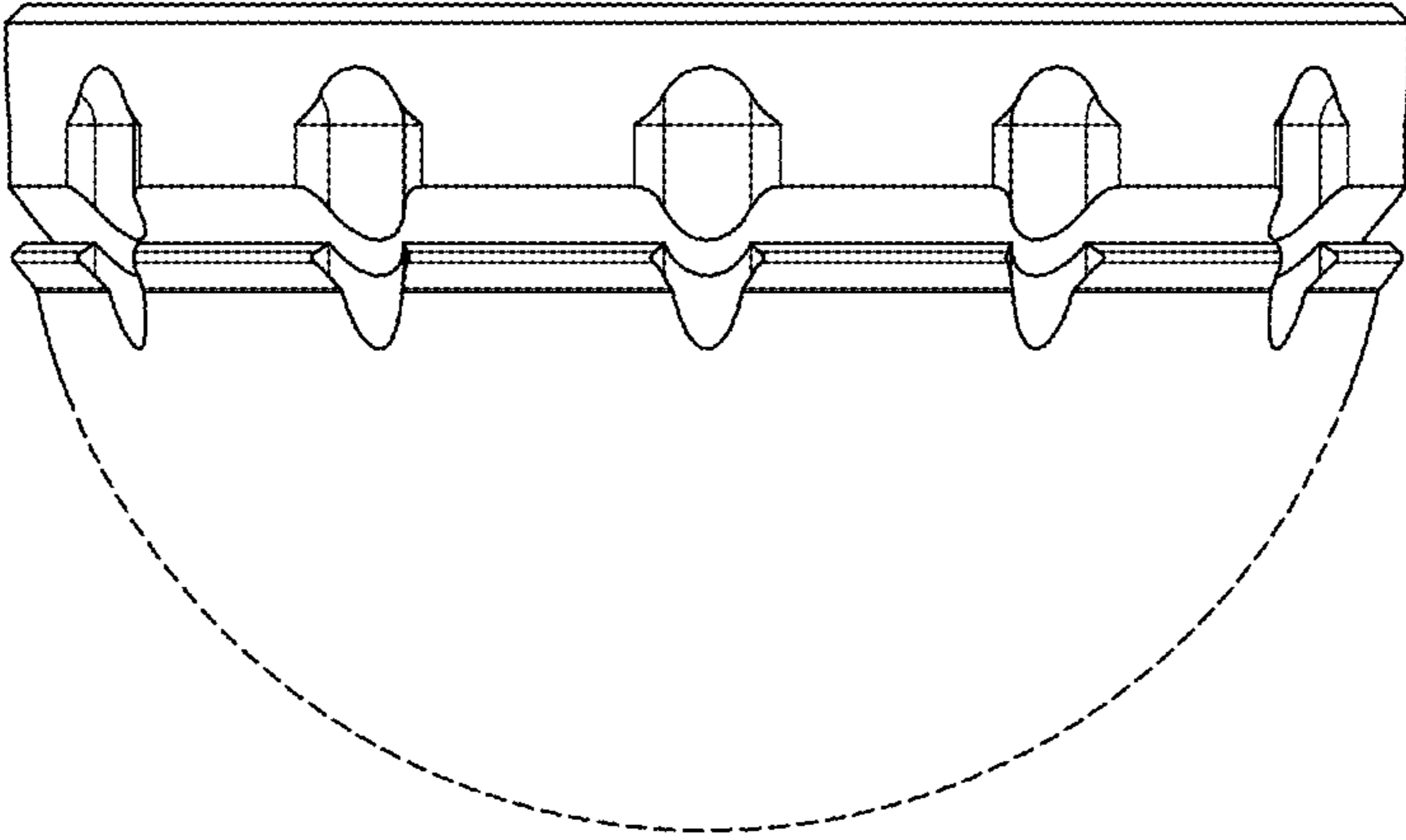


FIG.10

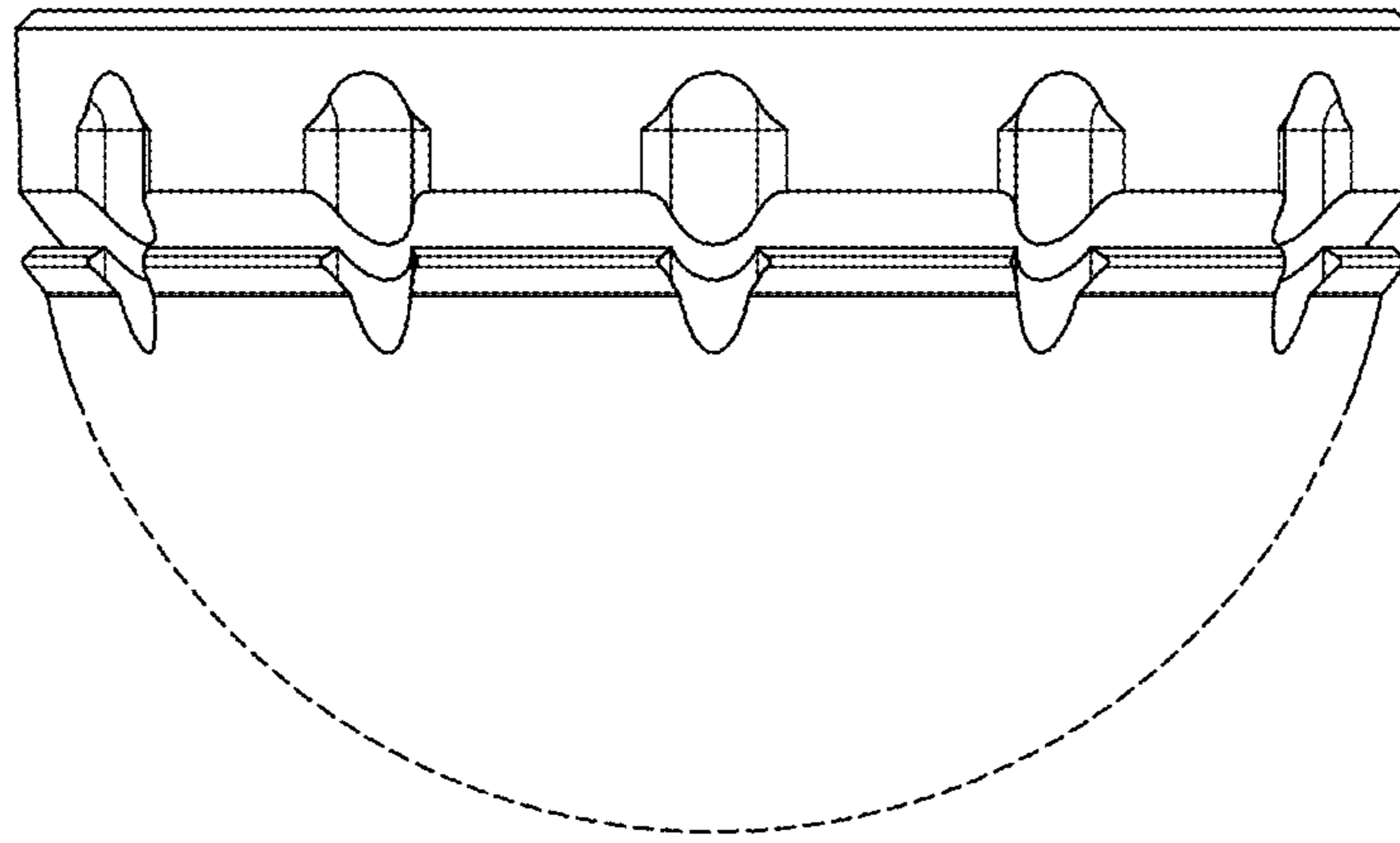


FIG.11

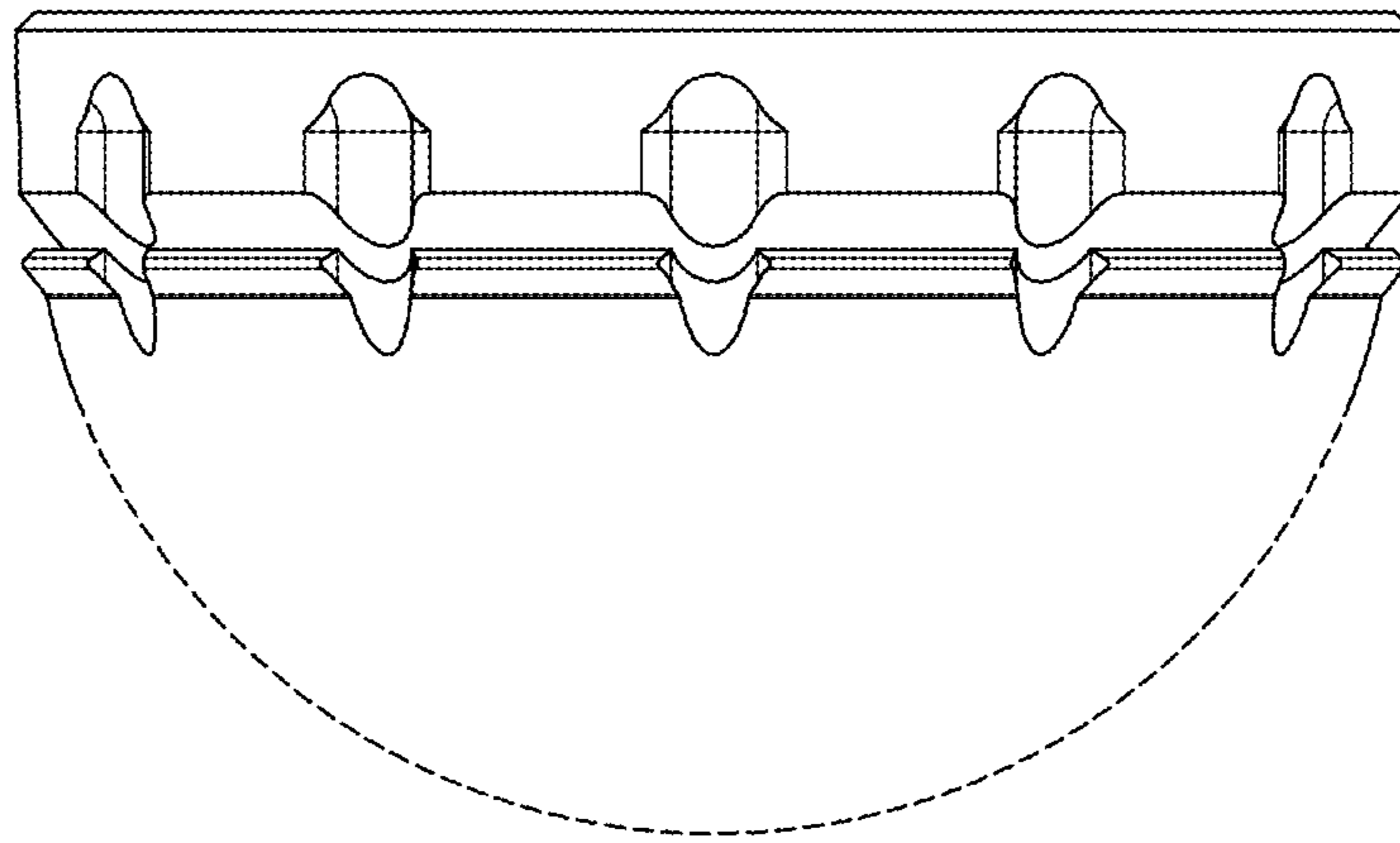


FIG.12

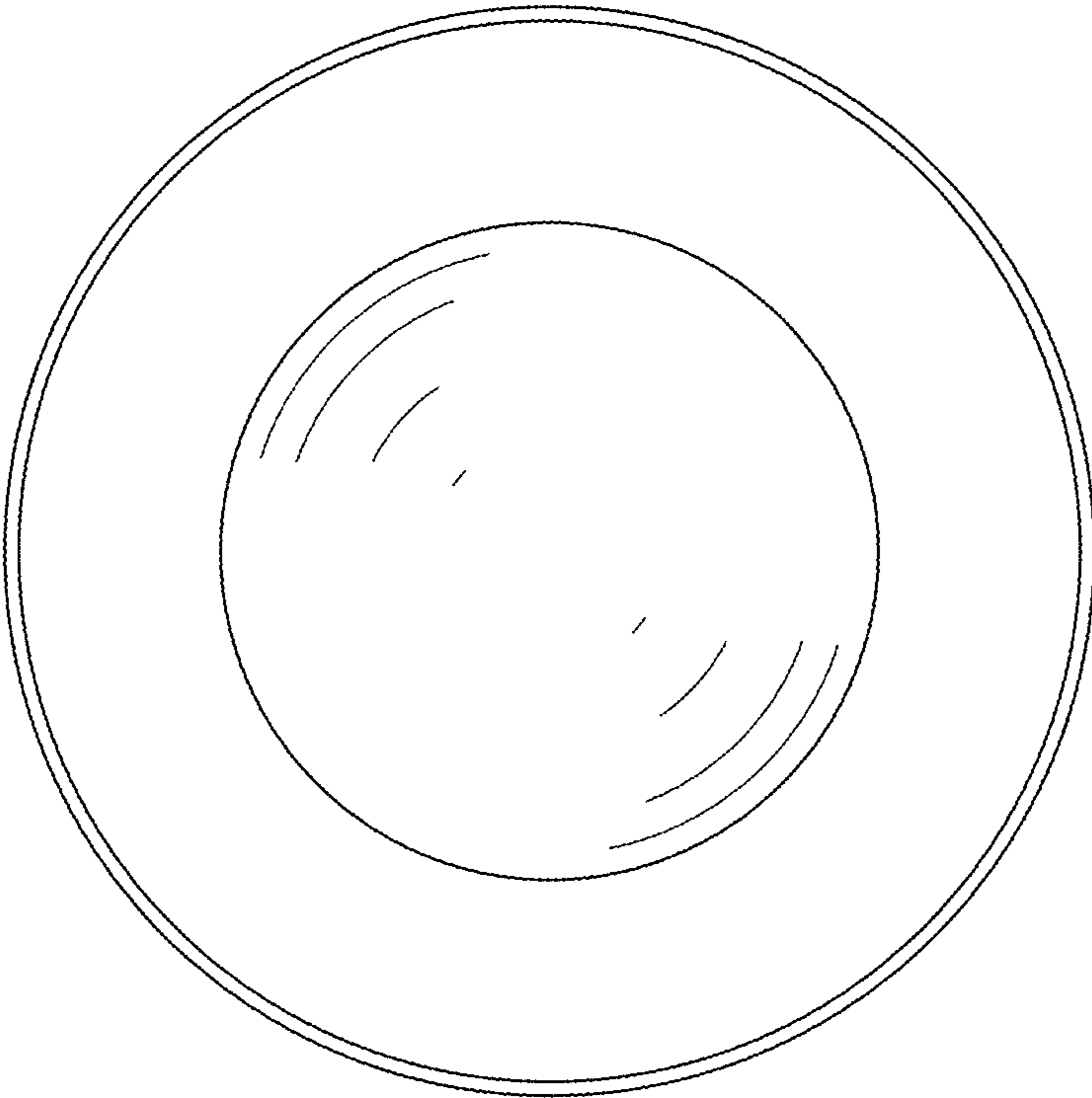


FIG. 13

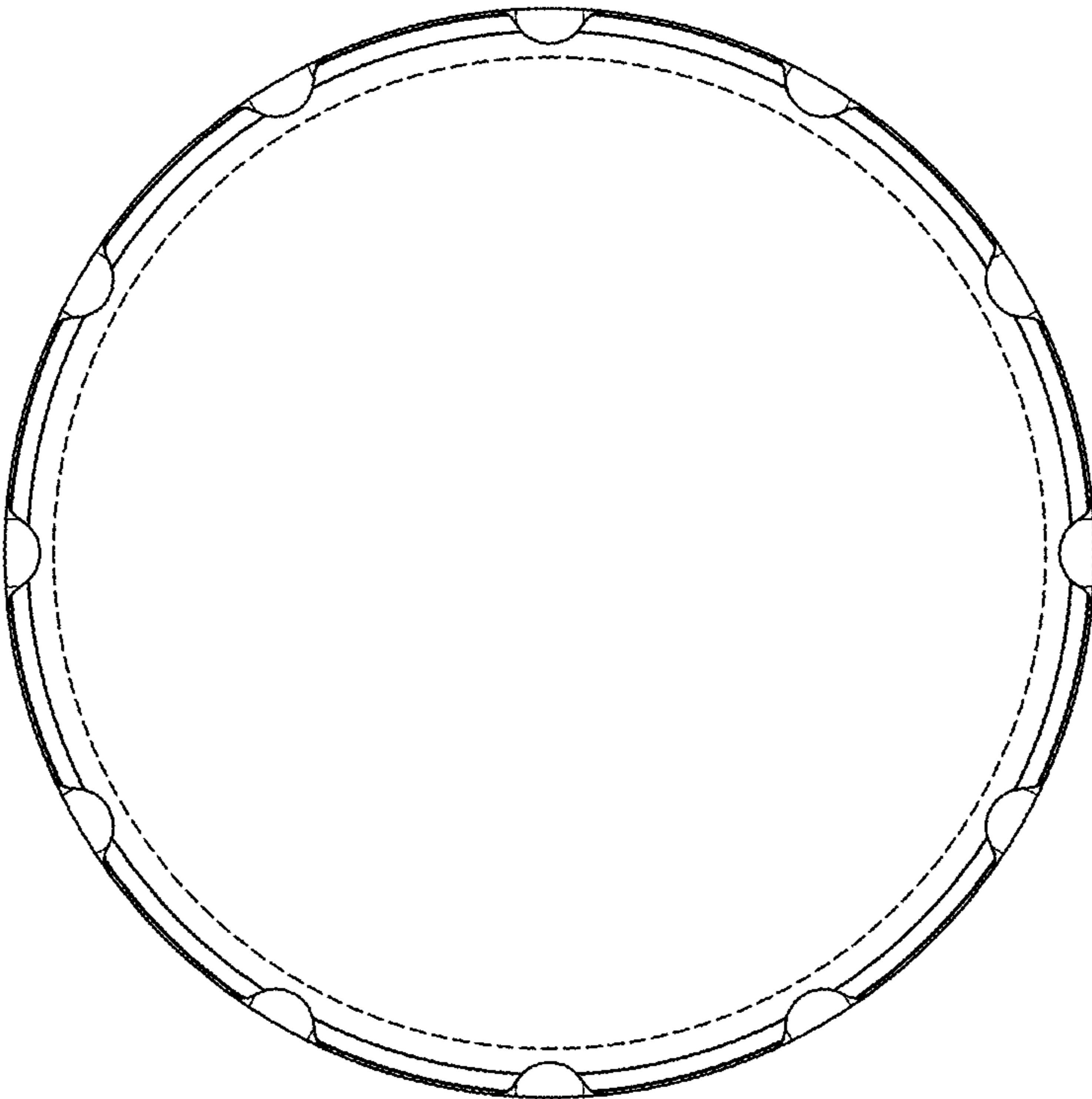


FIG. 14