



US00D919088S

(12) **United States Design Patent** (10) **Patent No.:** **US D919,088 S**
Fumex et al. (45) **Date of Patent:** **** May 11, 2021**

(54) **MEDICAL DRILL**

(71) Applicants: **Laurent Fumex**, Madison, CT (US);
Thierry Masegla, La Garde (FR)

(72) Inventors: **Laurent Fumex**, Madison, CT (US);
Thierry Masegla, La Garde (FR)

(**) Term: **15 Years**

(21) Appl. No.: **29/683,406**

(22) Filed: **Mar. 13, 2019**

(51) **LOC (13) Cl.** **24-02**

(52) **U.S. Cl.**
USPC **D24/146; D24/147**

(58) **Field of Classification Search**
USPC D24/112, 113, 130, 133, 134, 135, 138,
D24/144, 145, 146, 147, 148, 143, 170,
D24/127, 140; D19/174, 199, 110, 115;
D8/388, 391, 393, 382, 385, 387, 349, 93,
D8/97, 300, 310, 311, 313, 14, 14.1, 29.1,
D8/29.2, 30, 61, 68; D7/649; D23/223,
D23/226, 229

CPC ... A61B 17/06; A61B 17/089; A61B 17/1617;
A61B 17/3211; A61B 17/3417; A61B
17/1624; A61B 17/162; A61B 17/1622;
A61B 5/1411; A61B 2017/00424; B26B
3/00; B26B 1/10; B05C 17/103; B05C
17/116; B05C 17/01

See application file for complete search history.

(56) **References Cited**

U.S. PATENT DOCUMENTS

D167,826 S * 9/1952 Doeden D8/68
3,173,417 A * 3/1965 Horner A61B 17/1628
606/180
D233,131 S * 10/1974 Slany D8/68
3,901,631 A * 8/1975 Wickham F01C 21/10
418/70

D293,020 S * 12/1987 Steinel D23/332
D296,070 S * 6/1988 Cunningham D28/13
D388,297 S * 12/1997 Bittenbender D8/29.1
D393,581 S * 4/1998 McCallops D8/68
D410,181 S * 5/1999 Sung D8/68
D410,830 S * 6/1999 Pusateri D8/61
D430,995 S * 9/2000 Izumisawa D8/62
D436,510 S * 1/2001 Bazayev D8/68
D436,818 S * 1/2001 Izumisawa D8/68
D444,365 S * 7/2001 Bass D8/68
D446,434 S * 8/2001 Ashbaugh D8/68
D447,033 S * 8/2001 Izumisawa D8/68
D447,398 S * 9/2001 Bazayev D8/68
D457,407 S * 5/2002 Pretzell D8/29.1
D458,103 S * 6/2002 Chen D8/68
D458,824 S * 6/2002 Chen D8/68
D459,182 S * 6/2002 Morgan D8/68
D460,675 S * 7/2002 Morgan D8/68
D474,953 S * 5/2003 Santarsiero D8/68
D475,909 S * 6/2003 Waldron D8/68
D476,209 S * 6/2003 Chen D8/68
D476,210 S * 6/2003 Chen D8/68
D477,511 S * 7/2003 Izumisawa D8/68

(Continued)

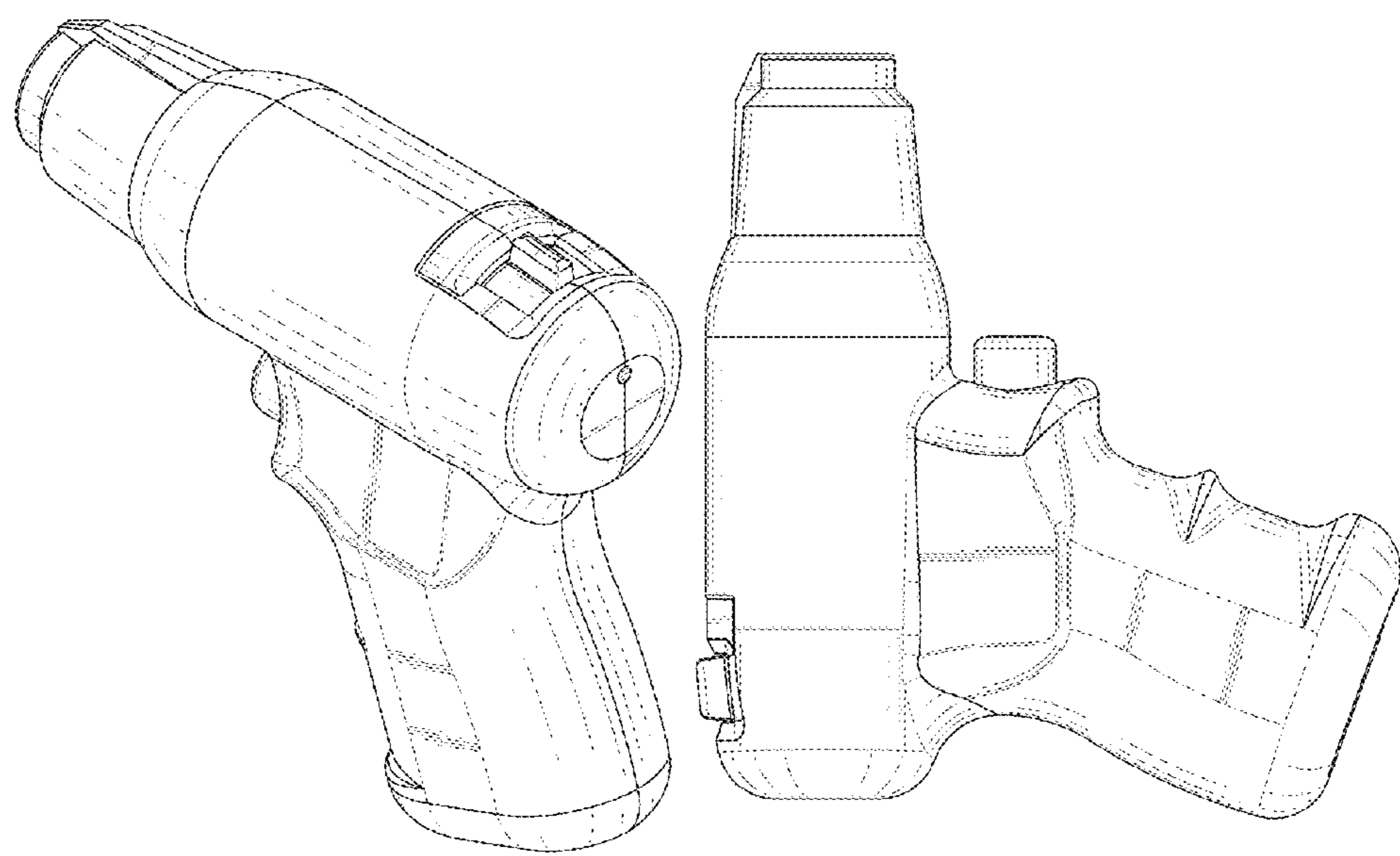
Primary Examiner — T Chase Nelson
Assistant Examiner — Kelly L Gross
(74) *Attorney, Agent, or Firm* — IPSILON USA, L.L.P.

(57) **CLAIM**
The ornamental design for a medical drill, as shown and described.

DESCRIPTION

FIG. 1 is a back perspective view of a medical drill;
FIG. 2 is a front perspective view of a medical drill;
FIG. 3 is a top view of a medical drill;
FIG. 4 is a bottom view of a medical drill;
FIG. 5 is a front view of a medical drill;
FIG. 6 is a back view of a medical drill;
FIG. 7 is a left side view of a medical drill; and,
FIG. 8 is a right side view of a medical drill.

1 Claim, 8 Drawing Sheets



(56)

References Cited

U.S. PATENT DOCUMENTS

D485,148 S *	1/2004	Chen	D8/68	D593,386 S *	6/2009	Liao	D8/68
D486,370 S *	2/2004	Chen	D8/68	D594,725 S *	6/2009	Robson	D8/68
D487,219 S *	3/2004	Chudy	D8/68	D608,176 S *	1/2010	Heidelberger	D8/68
D488,040 S *	4/2004	Chen	D8/68	D619,438 S *	7/2010	Lee	D8/68
D488,041 S *	4/2004	Chen	D8/68	D639,129 S *	6/2011	Van Wambeke	D8/29.1
D488,694 S *	4/2004	Chen	D8/68	D641,220 S *	7/2011	Shi	D8/29.1
D489,240 S *	5/2004	Bartfeld	D8/68	D655,325 S *	3/2012	Nojima	D16/131
D493,085 S *	7/2004	Copeland, II	D8/68	D664,820 S *	8/2012	Furling	D8/29.1
D497,786 S *	11/2004	Concari	D8/68	D705,630 S *	5/2014	Patel	D8/68
D508,835 S *	8/2005	Schiller	D8/68	D716,125 S *	10/2014	Yaschur	D8/68
D513,690 S *	1/2006	Etter	D8/68	D727,706 S *	4/2015	Chen	D8/68
D514,413 S *	2/2006	Cuenca	D8/68	D740,629 S *	10/2015	Furling	D8/29.1
D516,883 S *	3/2006	Popov	D8/29.1	D746,653 S *	1/2016	Furling	D8/29.1
D519,807 S *	5/2006	Chen	D8/68	D774,860 S *	12/2016	Colin	D8/68
D521,338 S *	5/2006	Wai	D8/68	D777,326 S *	1/2017	Sainsbury	D24/133
D521,339 S *	5/2006	Chen	D8/68	D778,439 S *	2/2017	Hakansson	D24/133
7,052,022 B2 *	5/2006	Chudy	B23Q 3/12 279/143	D790,940 S *	7/2017	Dill	D8/68
D522,337 S *	6/2006	Junkers	D8/68	D805,567 S *	12/2017	Kita	D15/144.2
D523,883 S *	6/2006	Distasio	D16/131	D829,519 S *	10/2018	Teraoka	D8/29.1
D524,408 S *	7/2006	Roman	D23/223	D840,032 S *	2/2019	Clifford	D24/146
D529,776 S *	10/2006	Chen	D8/68	D867,842 S *	11/2019	Shimazu	D8/29.1
D531,874 S *	11/2006	Wu	D8/68	D868,554 S *	12/2019	Shimazu	D8/29.1
D532,667 S *	11/2006	Tsai	D8/68	D869,928 S *	12/2019	Hsiao	D8/68
D534,047 S *	12/2006	Chi	D8/68	D899,208 S *	10/2020	Thompson	D8/68
D534,048 S *	12/2006	Tsai	D8/68	D899,209 S *	10/2020	Thompson	D8/68
D542,618 S *	5/2007	Miura	D8/107	D899,620 S *	10/2020	Huang	D24/215
D545,427 S *	6/2007	Gibson	D24/113	D901,768 S *	11/2020	Ceva	F24H 3/0423 D28/13
D565,375 S *	4/2008	Shi	D8/68	D905,520 S *	12/2020	Huang	D8/30
D568,992 S *	5/2008	Bacher	D24/133	D906,076 S *	12/2020	James	D8/68
D572,097 S *	7/2008	Yung-Kuan	D28/13	10,876,763 B2 *	12/2020	Han	F24H 3/0423
D572,991 S *	7/2008	Chen	D8/68	D907,229 S *	1/2021	Zhang	D24/215
D582,235 S *	12/2008	Murray	D8/68	D907,230 S *	1/2021	Zhang	D24/215
D582,236 S *	12/2008	Chen	D8/68	2011/0301577 A1 *	12/2011	Simmen	A61B 17/32002 606/1
D582,237 S *	12/2008	Chen	D8/68	2015/0066030 A1 *	3/2015	McGinley	A61B 17/1628 606/79
D583,639 S *	12/2008	Axinte	D8/14.1	2016/0128704 A1 *	5/2016	McGinley	A61B 17/1637 606/80
D585,714 S *	2/2009	Okuda	D8/68	2018/0206856 A1 *	7/2018	Hogerle	B25B 13/461
D586,637 S *	2/2009	Tirone	D8/68	2020/0139530 A1 *	5/2020	Butler	B25G 1/06
D591,129 S *	4/2009	Rane	D8/68				

* cited by examiner

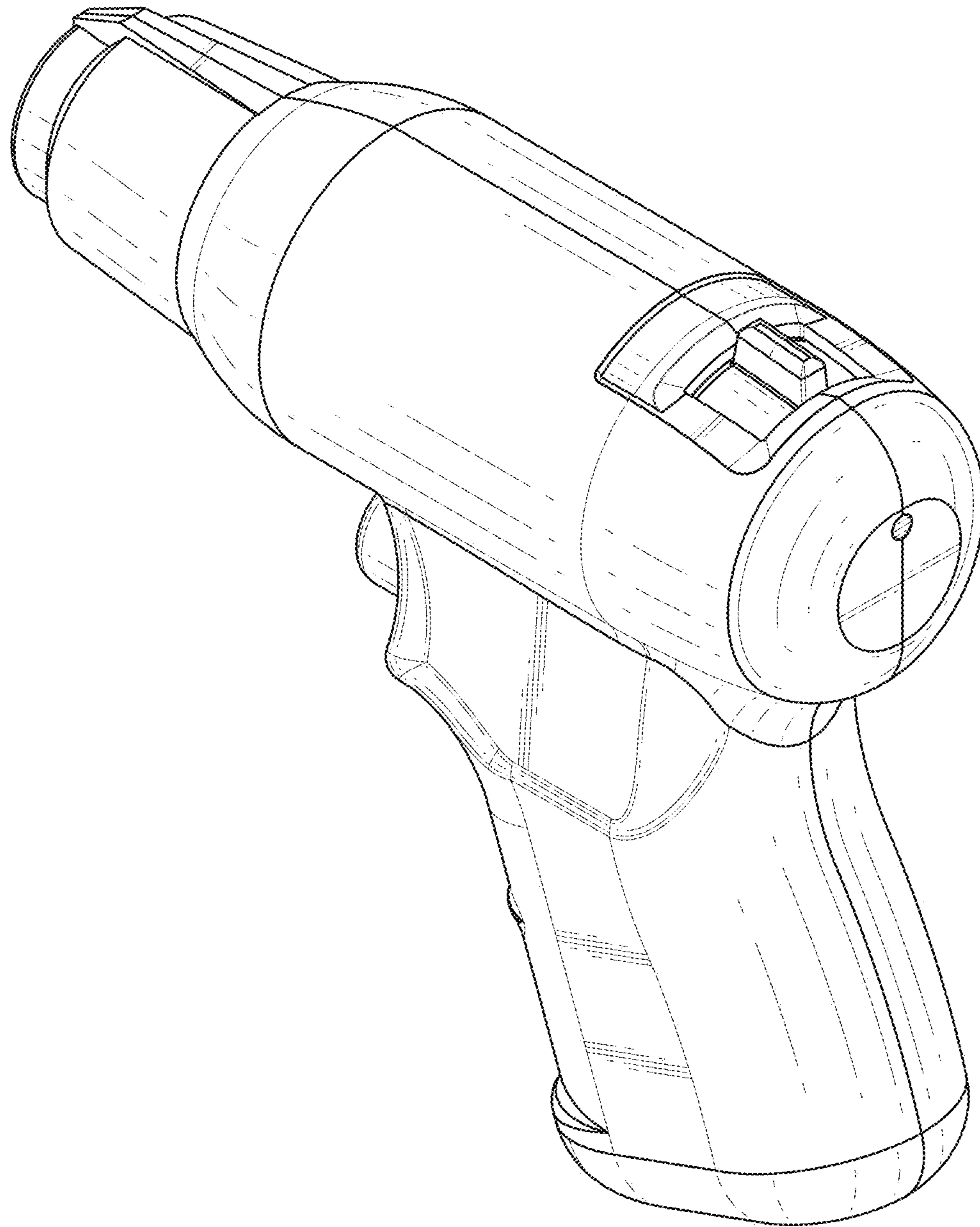


FIG. 1

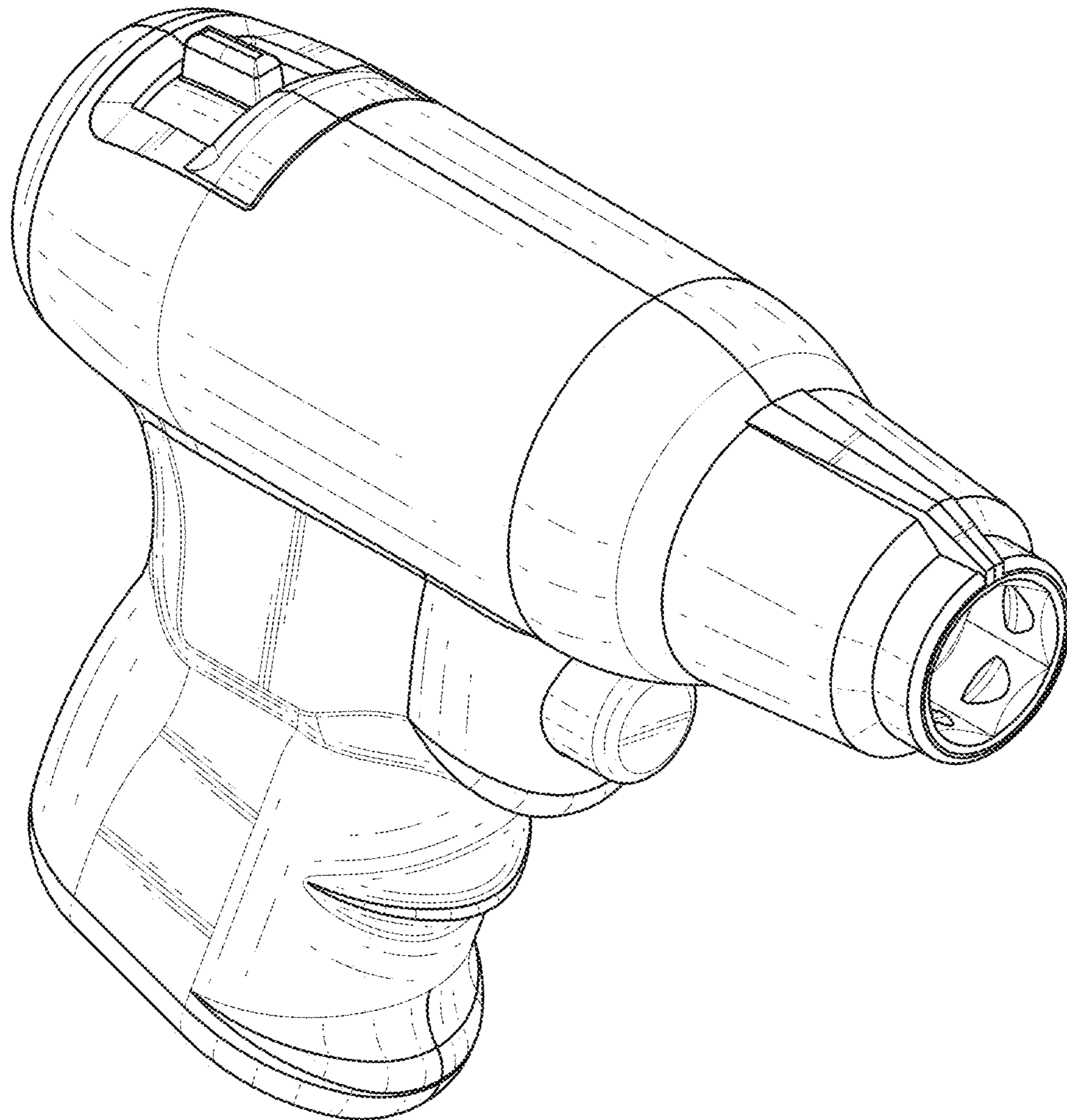


FIG. 2

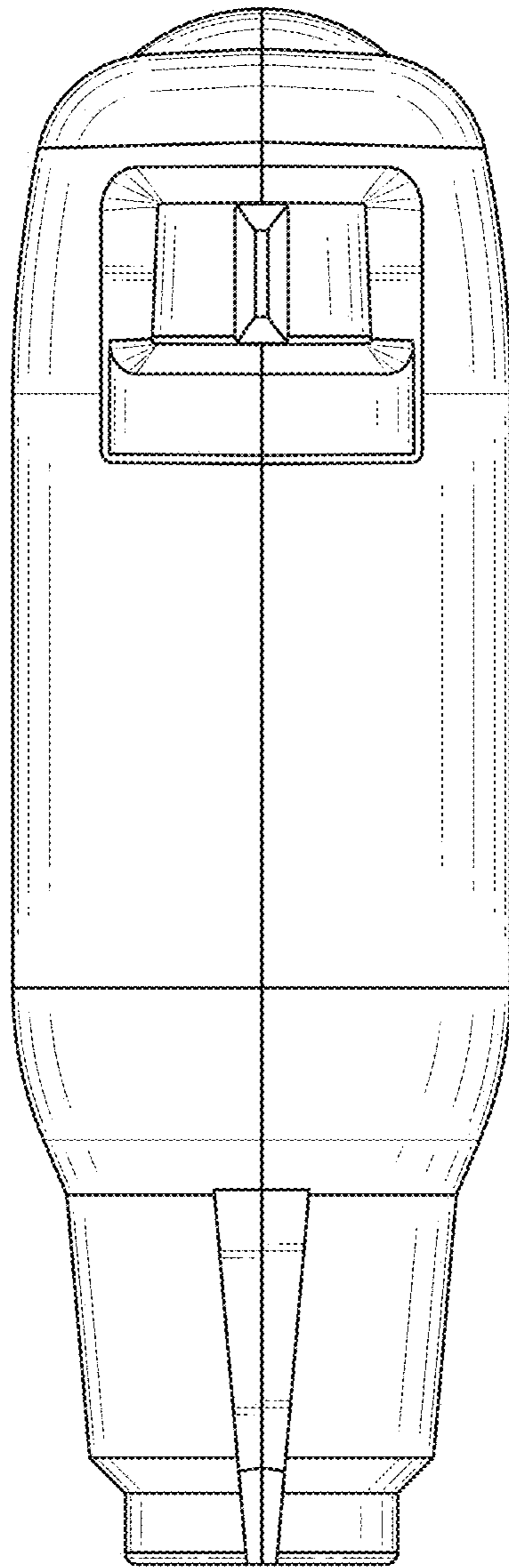


FIG. 3

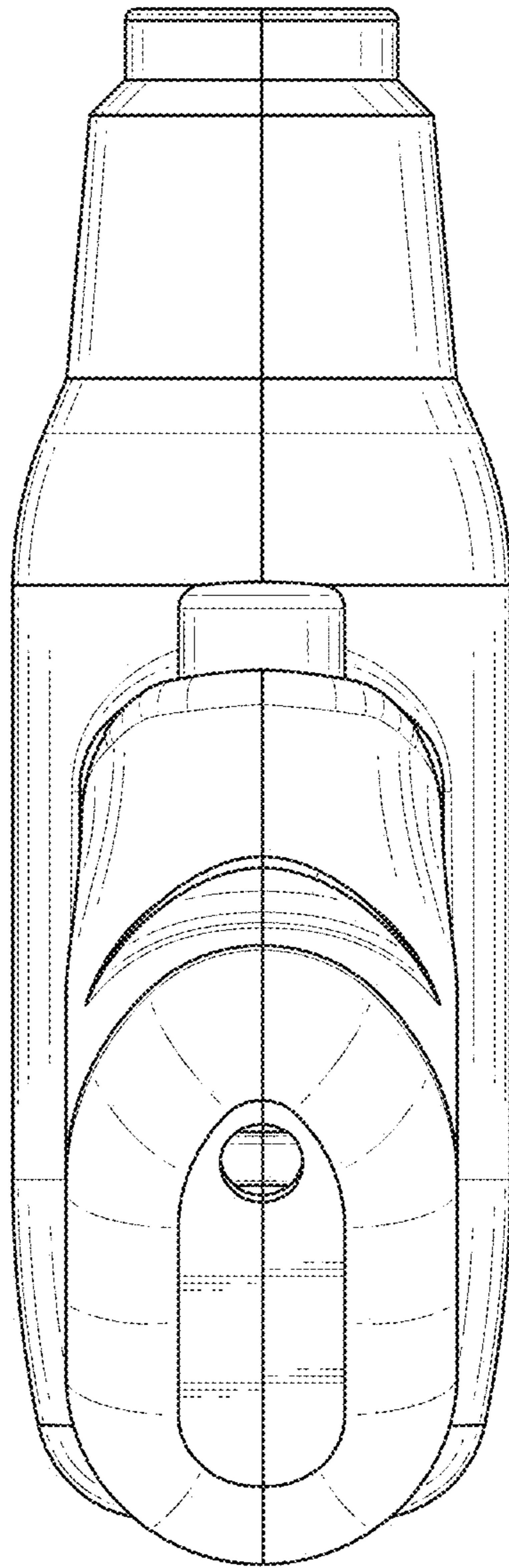


FIG. 4

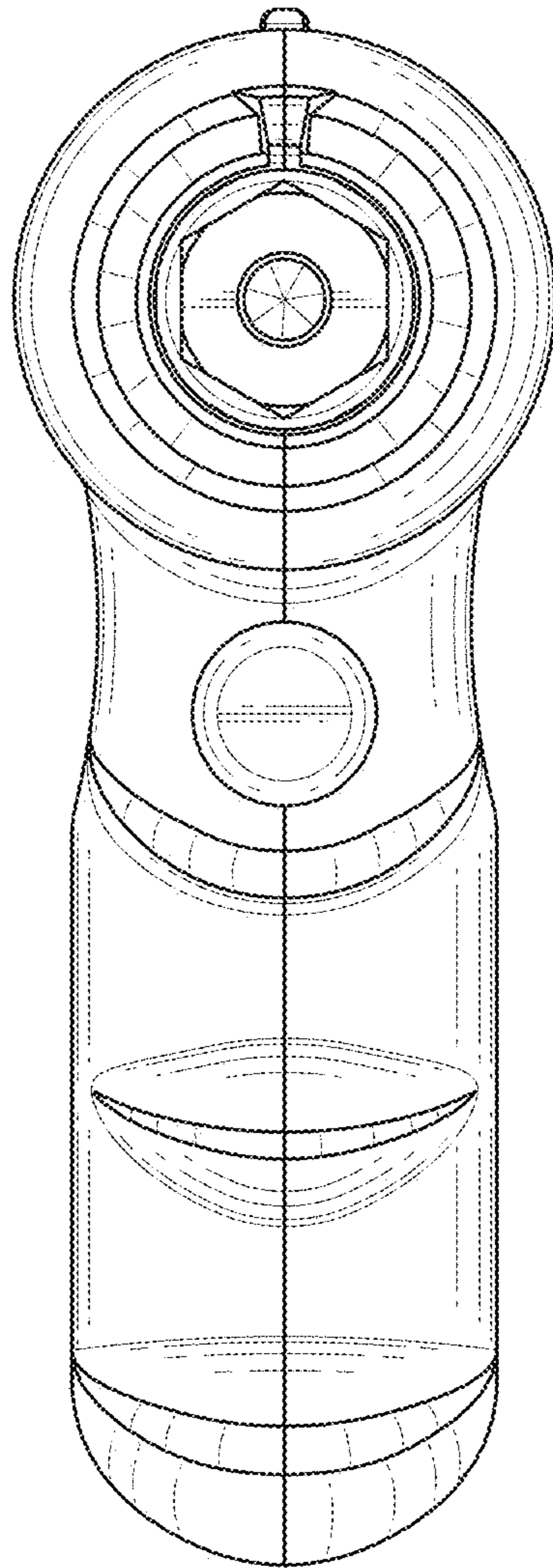


FIG. 5

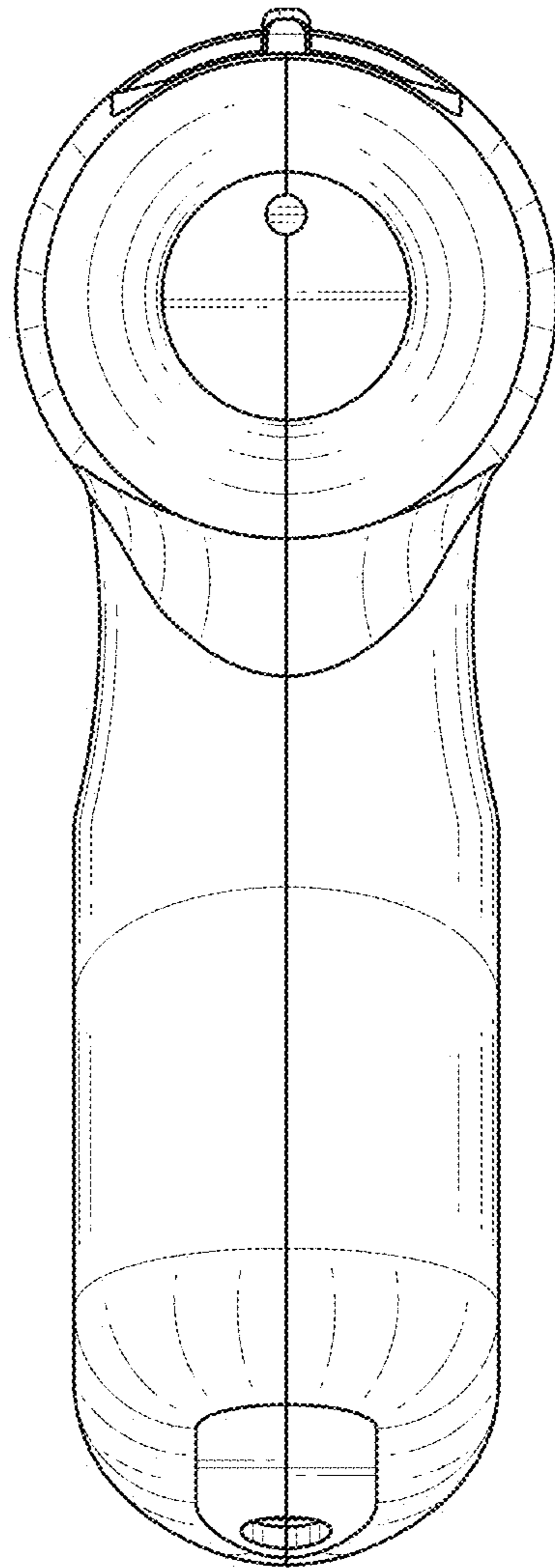


FIG. 6

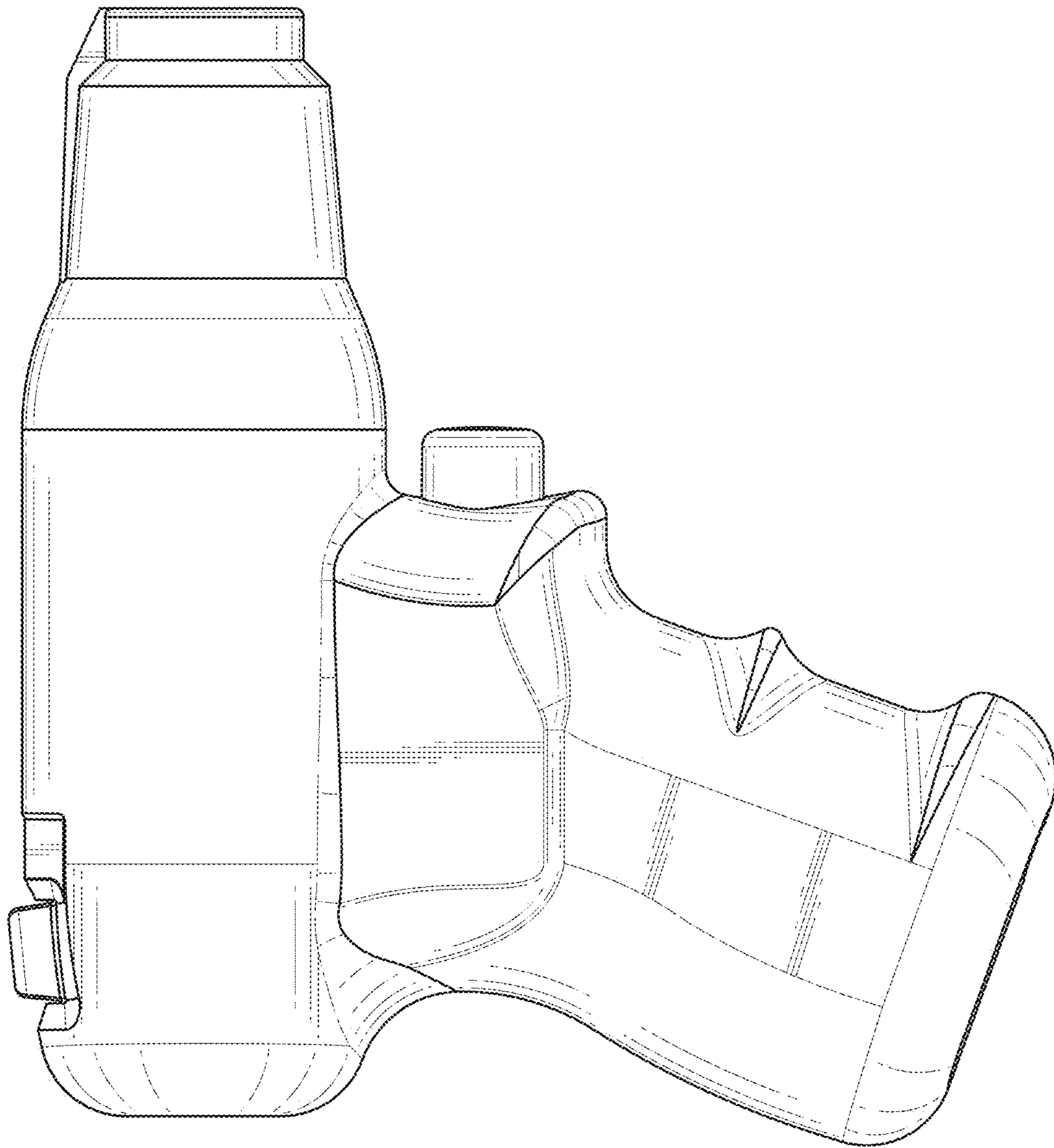


FIG. 7

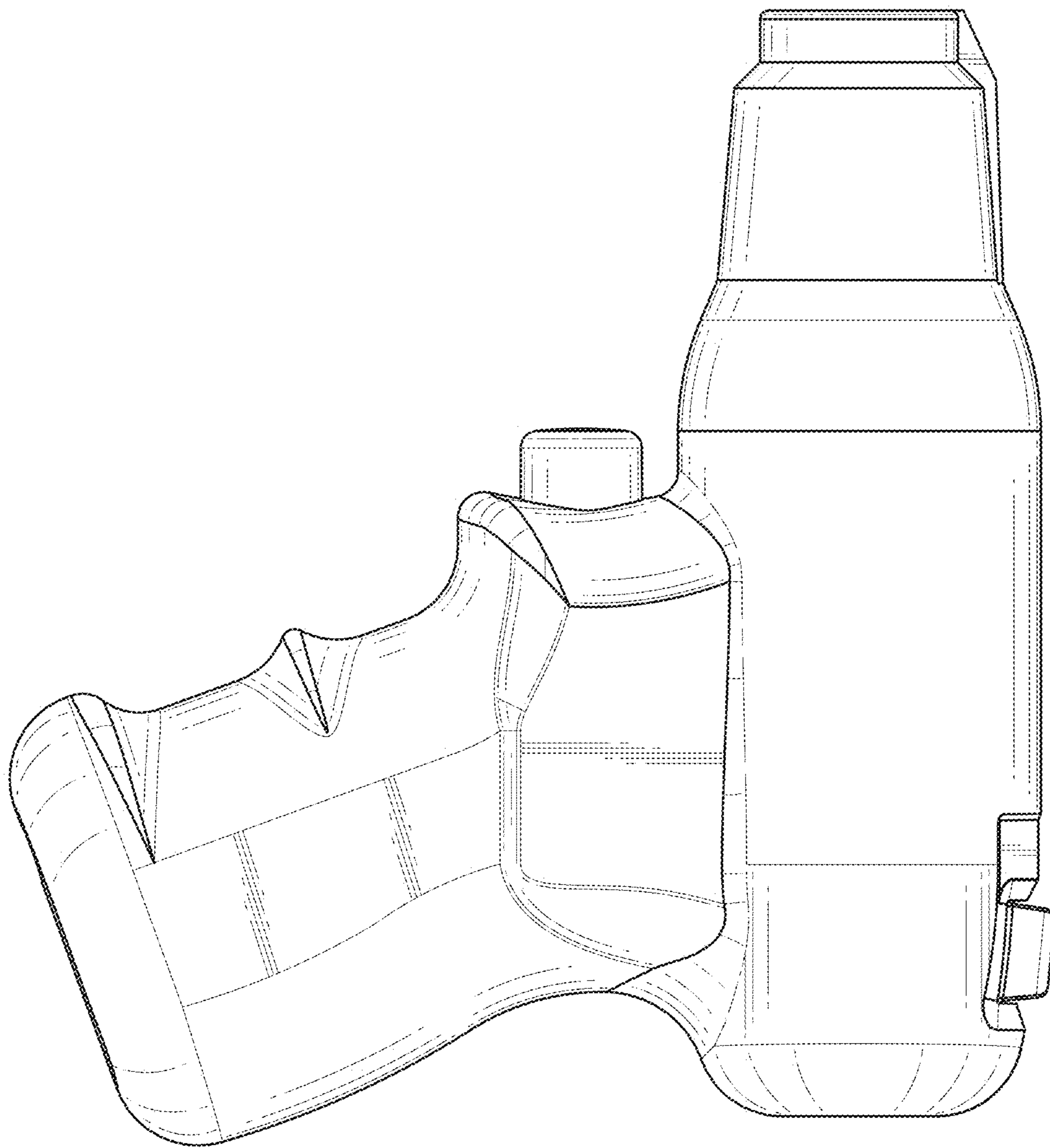


FIG. 8