



US00D919082S

(12) **United States Design Patent** (10) **Patent No.:** **US D919,082 S**  
**He** (45) **Date of Patent:** **\*\* May 11, 2021**

(54) **MICRONEEDLE INSTRUMENT**  
(71) Applicant: **Xianlin He**, Zhanjiang (CN)  
(72) Inventor: **Xianlin He**, Zhanjiang (CN)  
(\*\*) Term: **15 Years**  
(21) Appl. No.: **29/747,880**  
(22) Filed: **Aug. 26, 2020**  
(51) **LOC (13) Cl.** ..... **24-02**  
(52) **U.S. Cl.**  
USPC ..... **D24/112**  
(58) **Field of Classification Search**  
USPC ..... D24/112–114, 108, 133, 130, 127, 186;  
606/181, 185; 604/264, 272, 187, 181,  
604/184, 227  
CPC .... A61M 37/0015; A61M 5/178; A61M 3/00;  
A61M 5/20; A61M 5/31; A61M 5/3146;  
A61M 5/3129; A61M 5/3148; A61M  
5/315  
See application file for complete search history.

2018/0369553 A1\* 12/2018 Siciliano ..... A61B 17/3476  
2019/0083769 A1\* 3/2019 Nagai ..... A61M 37/0015  
2019/0201673 A1\* 7/2019 Smith ..... A61B 17/205  
2019/0247636 A1\* 8/2019 Groop ..... A61M 37/0015  
2019/0381298 A1\* 12/2019 Groop ..... A61M 37/0015  
2020/0114137 A1\* 4/2020 Siciliano ..... A61M 37/0076

\* cited by examiner

*Primary Examiner* — David G Muller  
(74) *Attorney, Agent, or Firm* — Justin Lampel

(57) **CLAIM**

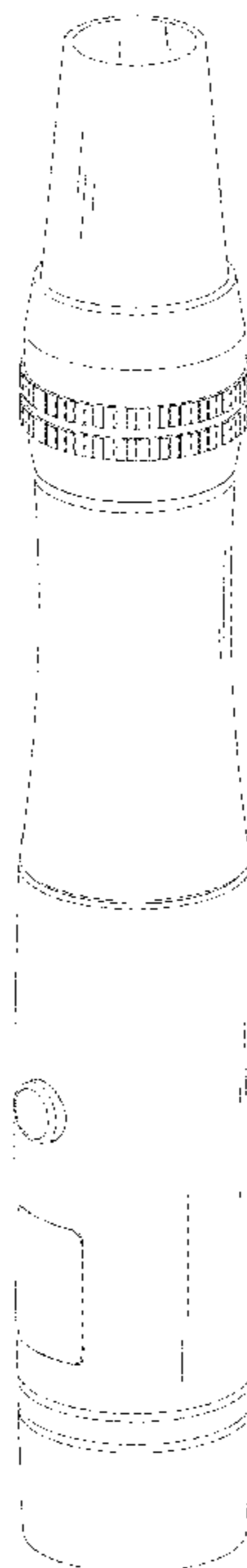
The ornamental design for a microneedle instrument, as shown and described.

**DESCRIPTION**

FIG. 1 is a perspective view of a microneedle instrument showing the claimed design;  
FIG. 2 is a top plan view thereof;  
FIG. 3 is a left side elevation view thereof;  
FIG. 4 is a front elevation view thereof;  
FIG. 5 is a right side elevation view thereof;  
FIG. 6 is a rear elevation view thereof;  
FIG. 7 is a bottom plan view thereof;  
FIG. 8 is a detailed cross-sectional view of a portion of the perimeter of FIG. 2; and,  
FIG. 9 is a detailed cross-sectional view of a portion of the perimeter of FIG. 7.  
The broken lines illustrate portions of the microneedle instrument that form no part of the claimed design.

**1 Claim, 9 Drawing Sheets**

(56) **References Cited**  
U.S. PATENT DOCUMENTS  
9,636,491 B1\* 5/2017 O'Brien, III ..... A61M 5/3297  
D881,384 S 4/2020 Jing  
2007/0129714 A1\* 6/2007 Elkins ..... A61M 37/0015  
606/21  
2013/0053752 A1\* 2/2013 Xu ..... A61M 37/0015  
604/1  
2015/0352295 A1\* 12/2015 Burton ..... A61M 37/0015  
604/111  
2017/0120024 A1\* 5/2017 Lee ..... A61M 5/158  
2017/0266394 A1\* 9/2017 Admati ..... A61M 5/3298  
2018/0256086 A1\* 9/2018 Polsky ..... A61B 5/150022



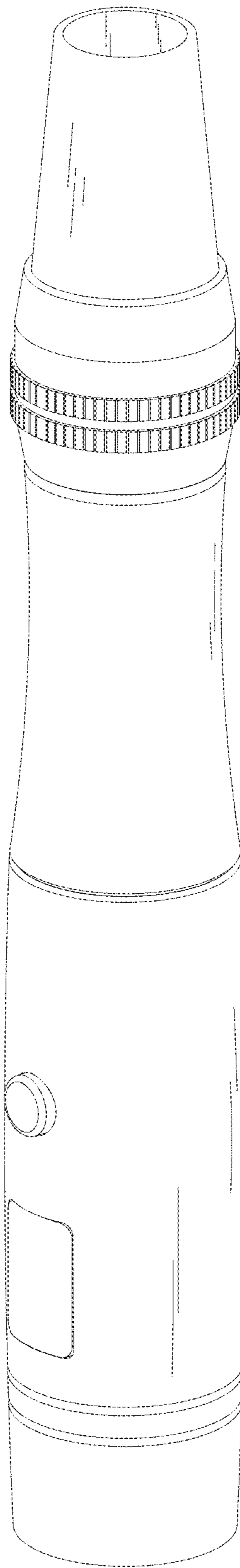


FIG.1

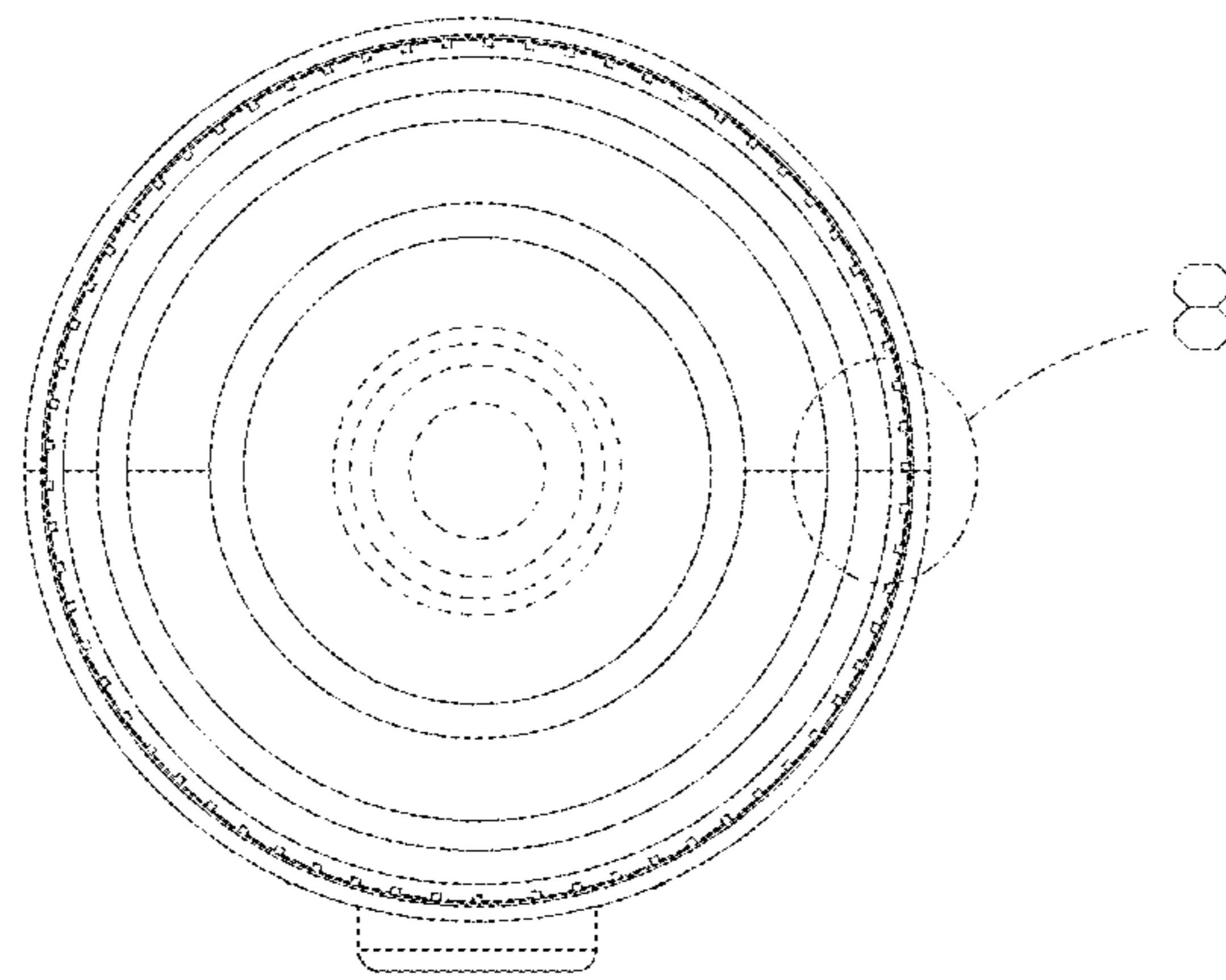


FIG. 2

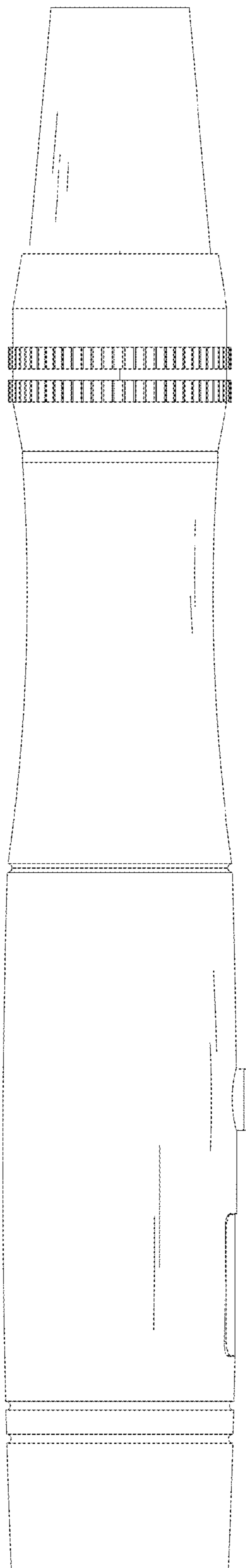


FIG.3

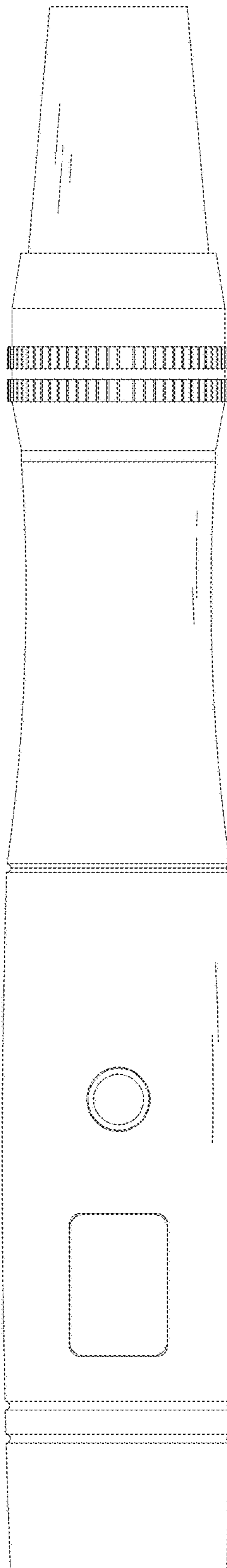


FIG.4

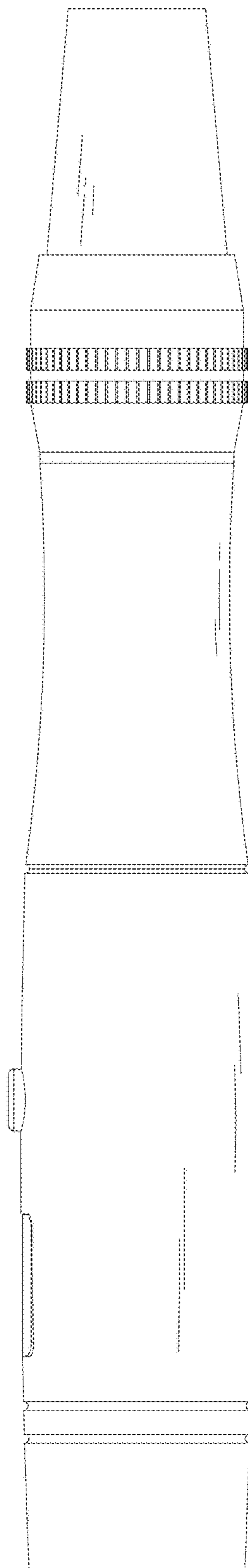


FIG.5

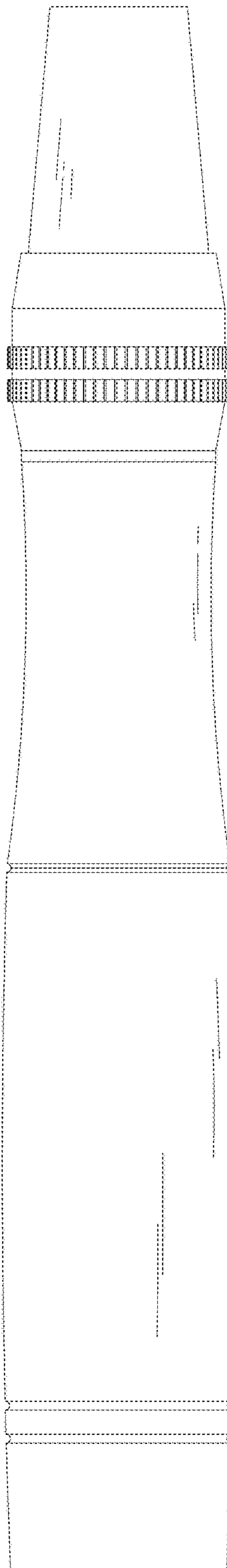


FIG.6

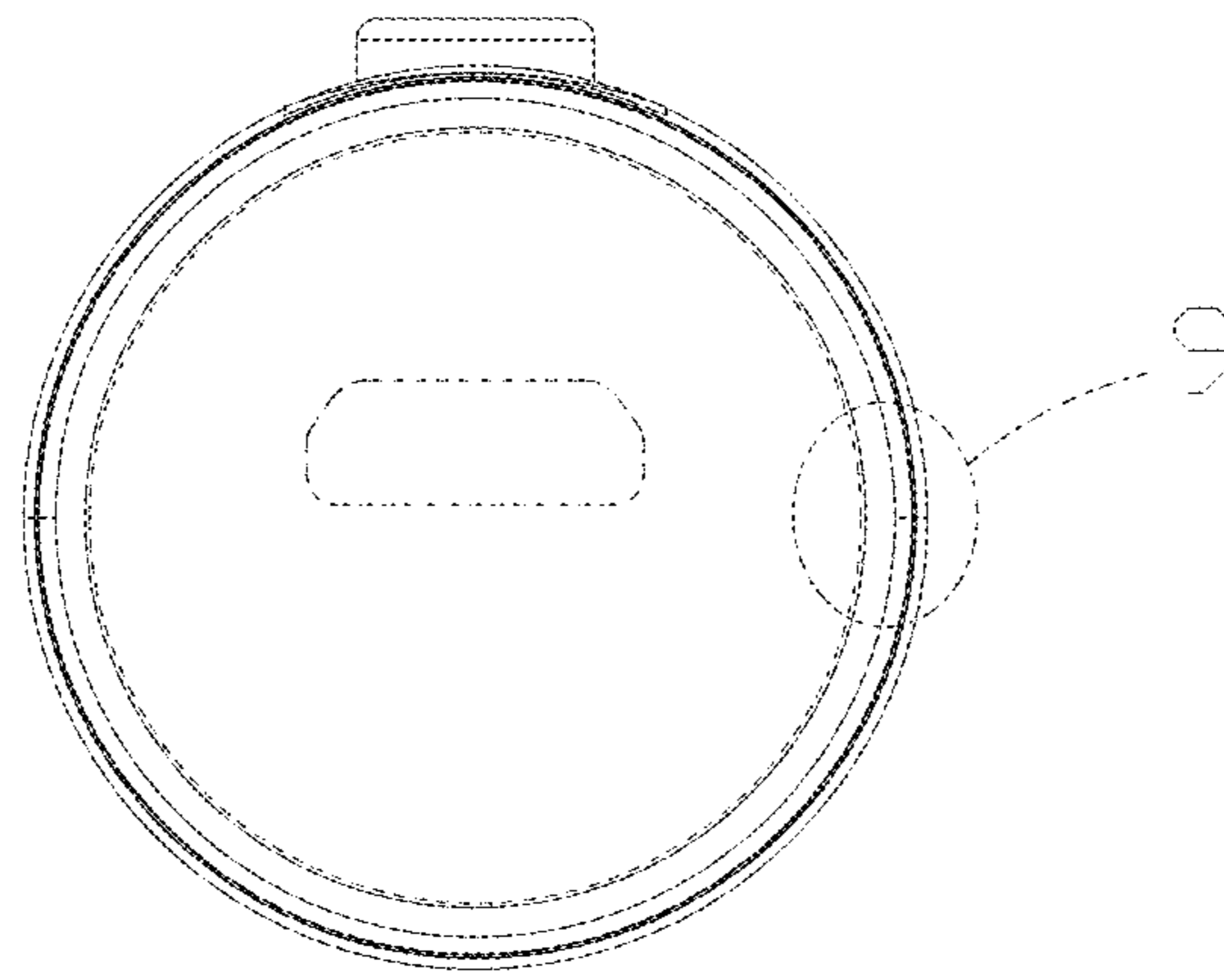


FIG. 7



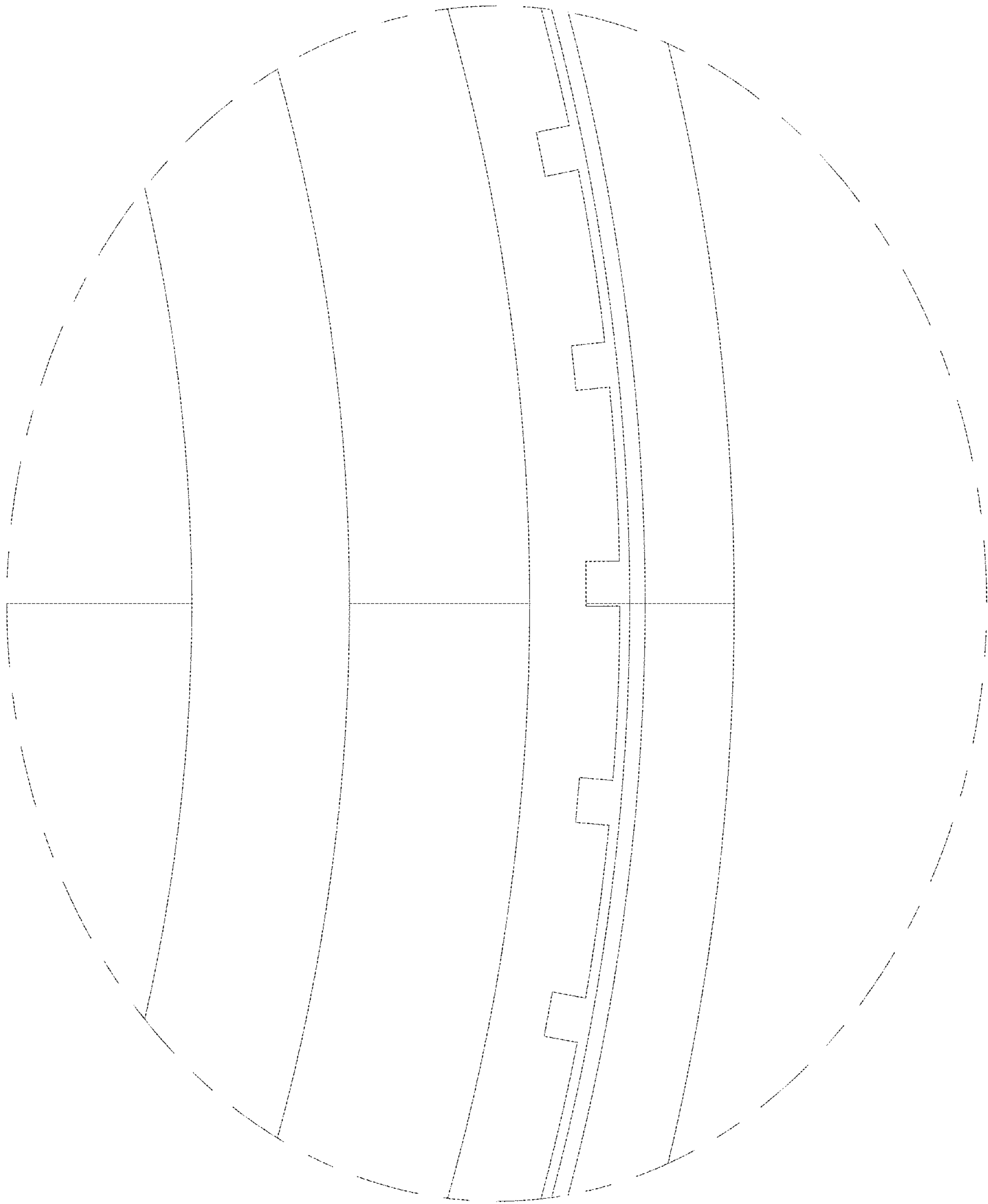


FIG. 8

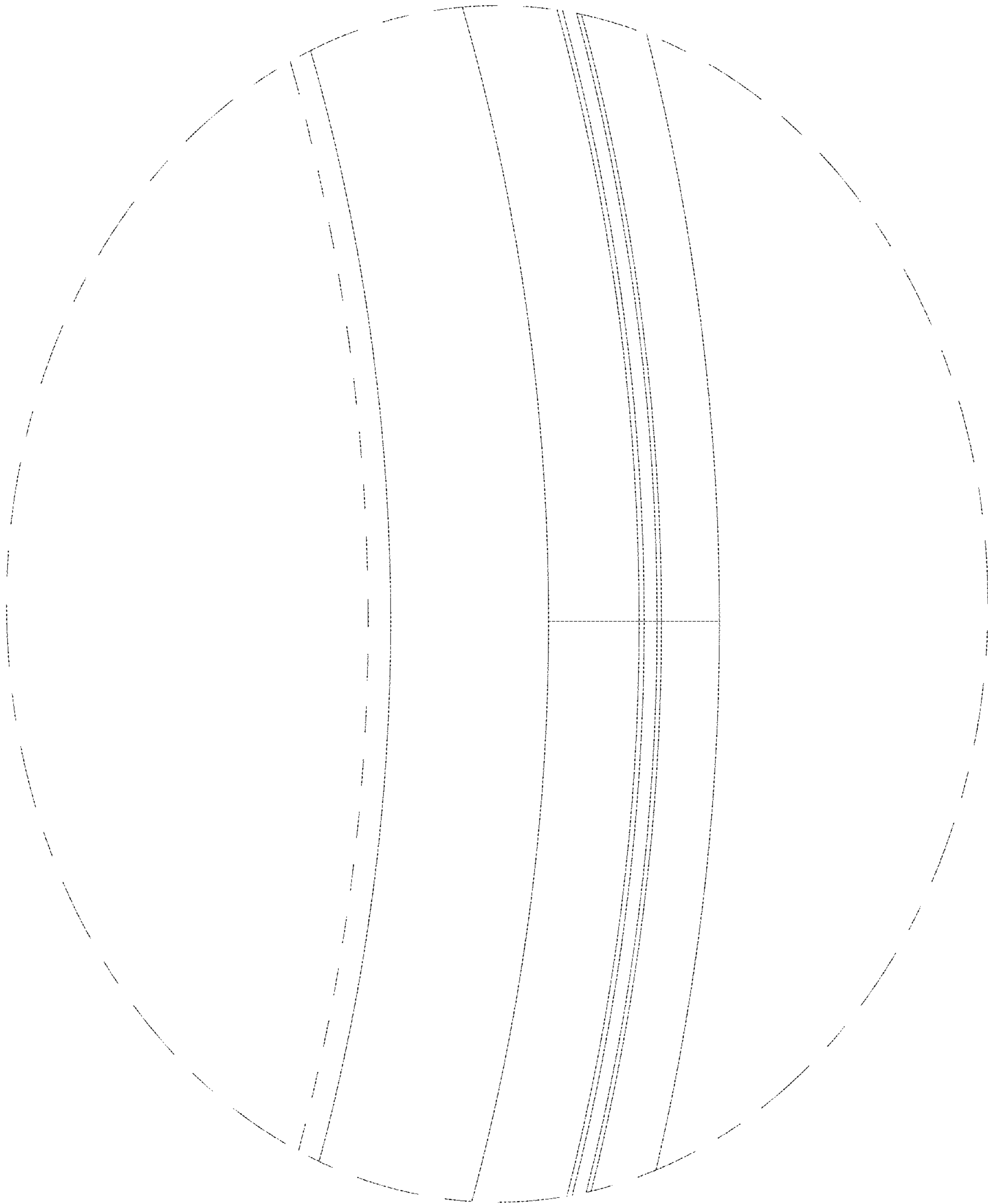


FIG. 9