



US00D919081S

(12) **United States Design Patent**
Torbenson

(10) **Patent No.:** **US D919,081 S**

(45) **Date of Patent:** **** May 11, 2021**

(54) **MASK**

(71) Applicant: **Steve Gordon Torbenson**, Lakeville,
MN (US)

(72) Inventor: **Steve Gordon Torbenson**, Lakeville,
MN (US)

(73) Assignee: **RZ INDUSTRIES, LLC**, Burnsville,
MN (US)

(**) Term: **15 Years**

(21) Appl. No.: **29/686,962**

(22) Filed: **Apr. 9, 2019**

(51) **LOC (13) Cl.** **29-02**

(52) **U.S. Cl.**
USPC **D24/110.1**

(58) **Field of Classification Search**
USPC D24/107-108, 110.1-110.5, 127, 164;
D29/108, 122
CPC A62B 18/02; A62B 18/025; A62B 23/025;
A62B 7/10; A62B 9/02; A63B 23/18;
A63B 29/00
See application file for complete search history.

(56) **References Cited**

U.S. PATENT DOCUMENTS

D340,317 S *	10/1993	Cole	D24/110.1
5,884,336 A *	3/1999	Stout	A62B 9/003 128/205.27
D440,302 S *	4/2001	Wolfe	D24/110.1
D636,128 S *	4/2011	Hancock	D29/108
D765,237 S *	8/2016	Danford	D24/110.1
9,579,540 B1 *	2/2017	Danford	A63B 21/0004
10,434,341 B1 *	10/2019	Torbenson	A62B 18/00
10,798,979 B2 *	10/2020	Hosmer	A41D 13/1107
2002/0162556 A1 *	11/2002	Smith	A61B 5/6803 128/207.12

2003/0154984 A1 *	8/2003	Fernandes	A62B 23/025 D24/110.1
2010/0018533 A1 *	1/2010	Biedermann	D06M 16/00 128/206.19
2010/0101584 A1 *	4/2010	Bledstein	A62B 18/10 128/863

(Continued)

Primary Examiner — Lilyana Bekic

(74) *Attorney, Agent, or Firm* — Crawford Maunu PLLC

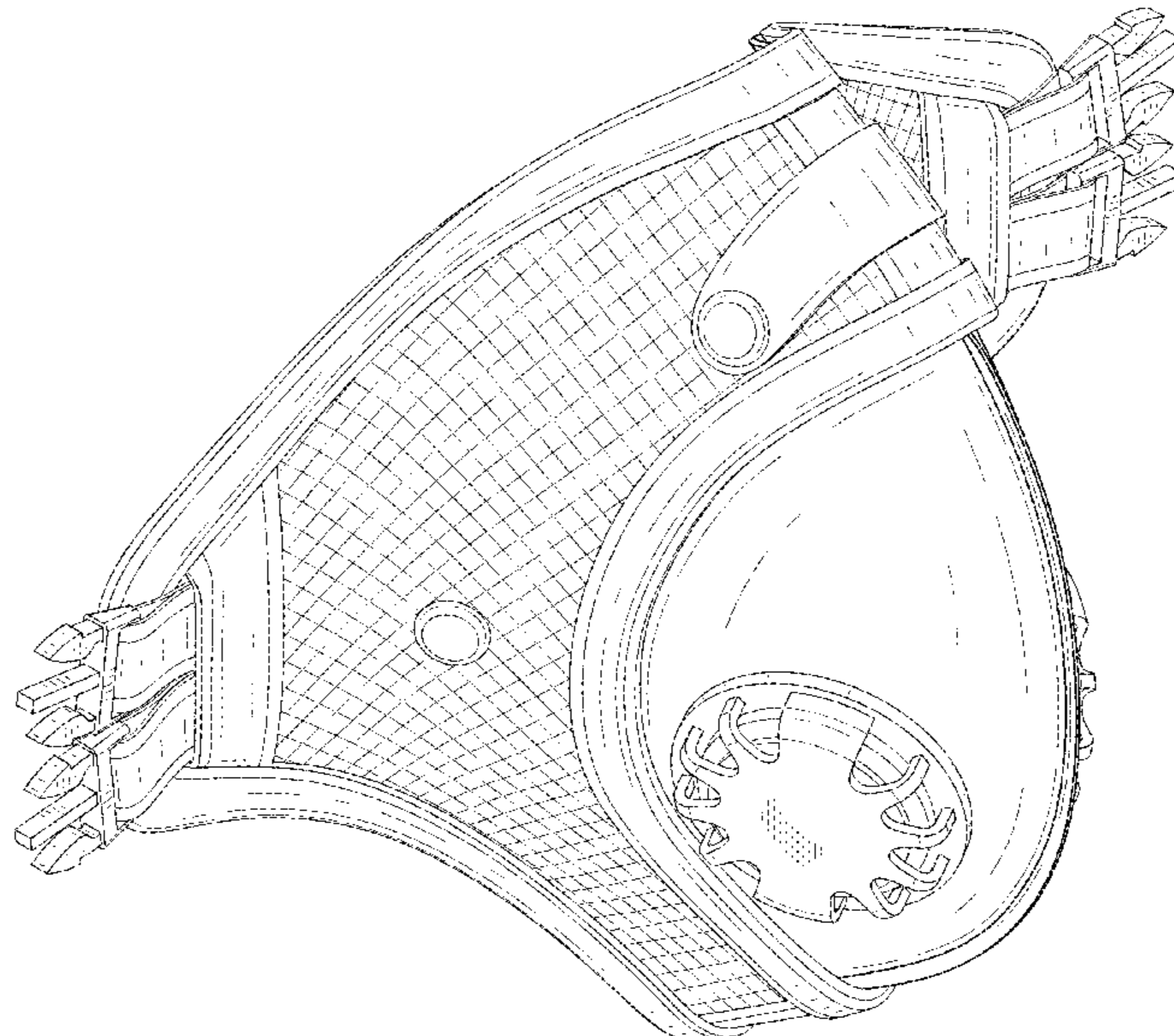
(57) **CLAIM**

The ornamental design for a mask assembly, as shown and described.

DESCRIPTION

FIG. 1 is left front perspective view of a mask, in a folded position, showing the present design;
 FIG. 2 is a right rear perspective view thereof;
 FIG. 3 is a top view thereof;
 FIG. 4 is a bottom view thereof;
 FIG. 5 is a left side view thereof;
 FIG. 6 is a right side view thereof;
 FIG. 7 is a front view thereof of the mask assembly in FIG. 1, according to an embodiment of the present design;
 FIG. 8 is a rear view thereof;
 FIG. 9 is a left front perspective view thereof, shown in an unfolded position;
 FIG. 10 is a rear right perspective view thereof, shown in an unfolded position;
 FIG. 11 is a top view thereof, shown in an unfolded position;
 FIG. 12 is a bottom view thereof, shown in an unfolded position;
 FIG. 13 is a left side view thereof, shown in an unfolded position;
 FIG. 14 is a right side view thereof, shown in an unfolded position;
 FIG. 15 is a front view thereof, shown in an unfolded position; and,
 FIG. 16 is a back view thereof, shown in an unfolded position.

1 Claim, 13 Drawing Sheets



(56)

References Cited

U.S. PATENT DOCUMENTS

2012/0247474 A1* 10/2012 Torbenson A62B 18/086
128/206.15
2013/0319420 A1* 12/2013 Danford A63B 21/0004
128/206.21
2015/0053206 A1* 2/2015 Seppala A62B 18/025
128/202.27
2016/0129287 A1* 5/2016 Danford A62B 23/025
128/863
2017/0172137 A1* 6/2017 Wynalda, Jr. A62B 9/02
2018/0264294 A1* 9/2018 Hancock A41D 13/1138
2018/0280758 A1* 10/2018 Tao A63B 21/00058
2019/0166929 A1* 6/2019 Bergman A62B 18/10
2020/0114179 A1* 4/2020 Torbenson A62B 23/02
2020/0298032 A1* 9/2020 Torbenson A41D 13/1138

* cited by examiner

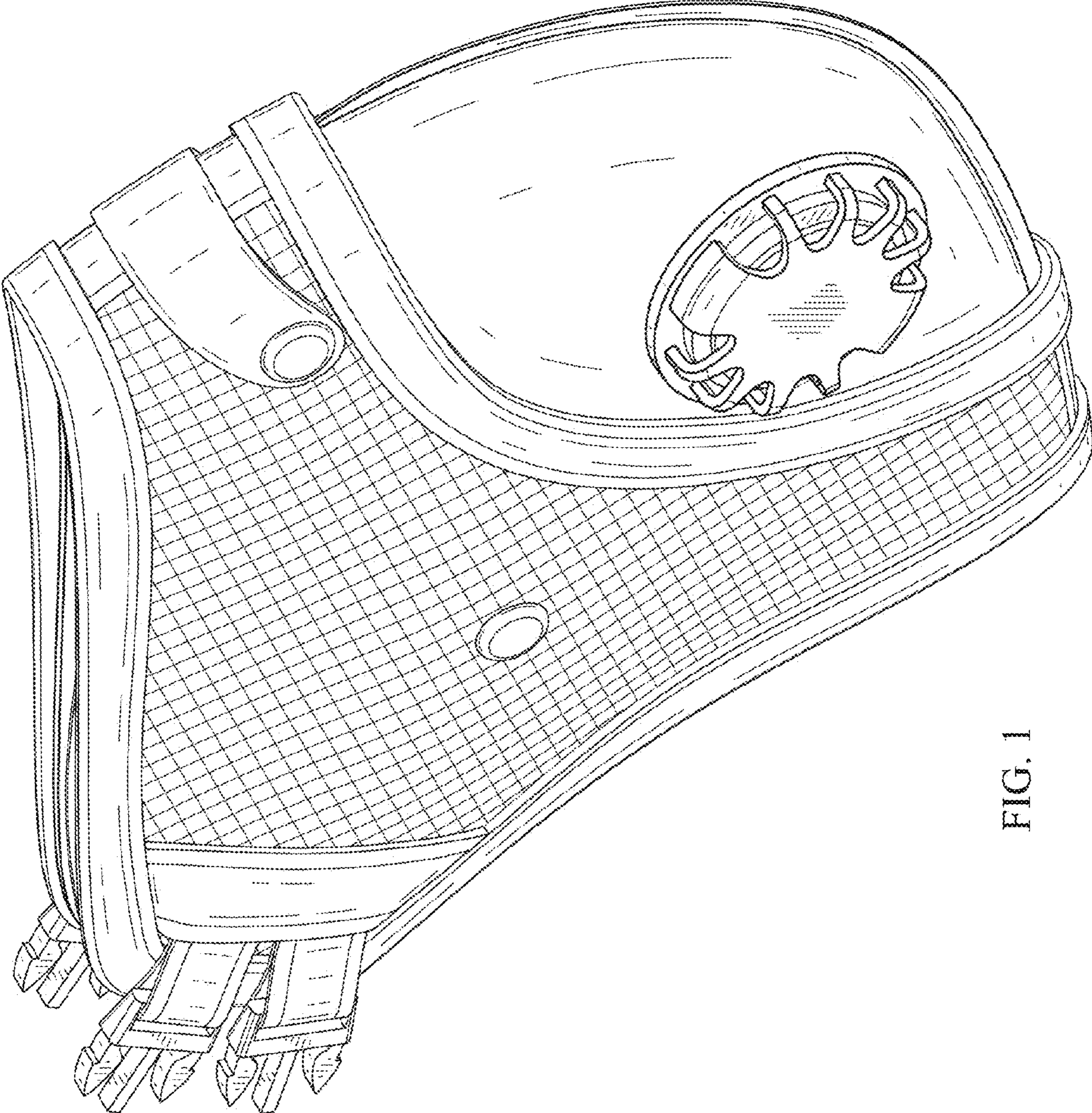


FIG. 1

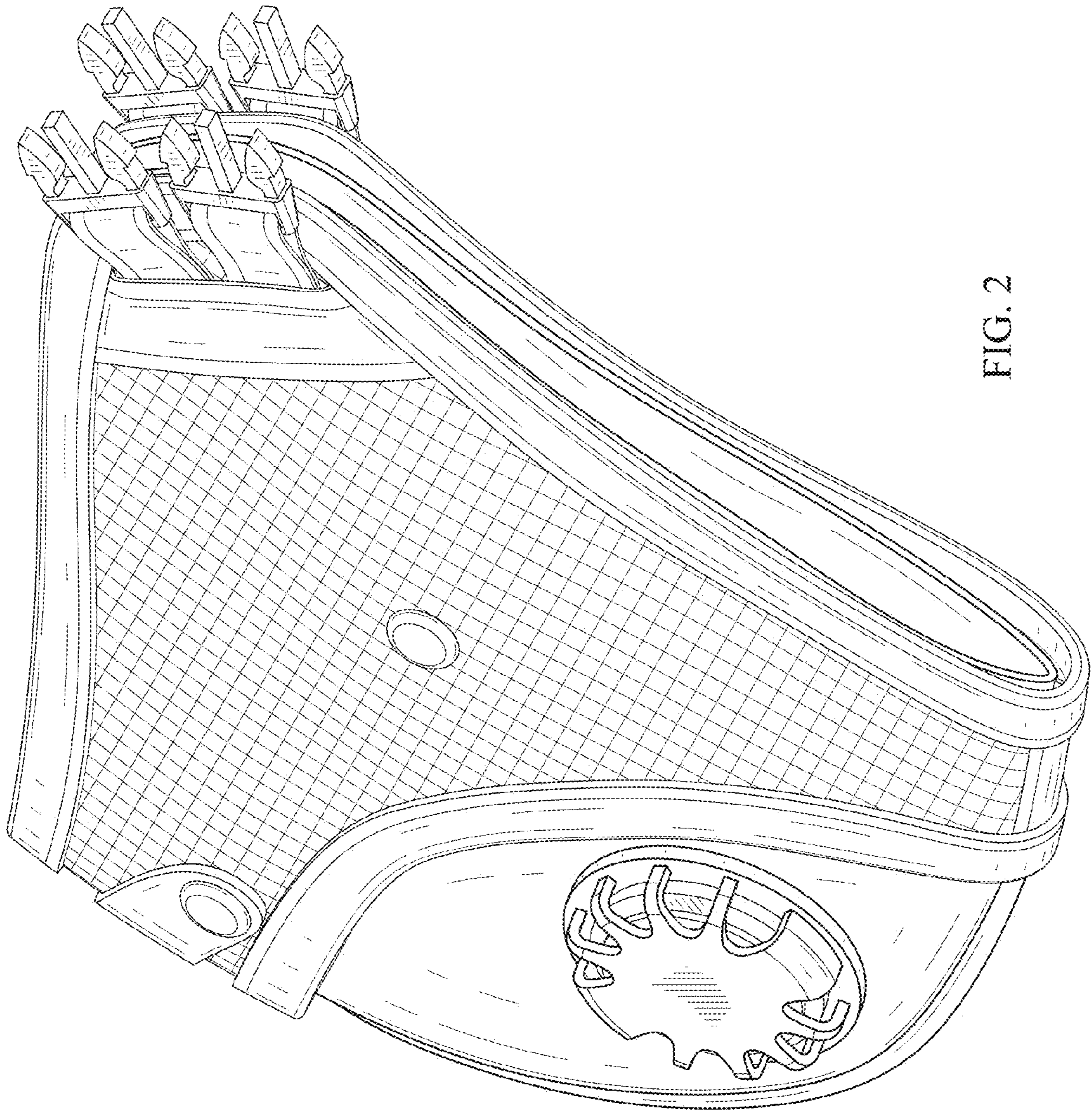


FIG. 2

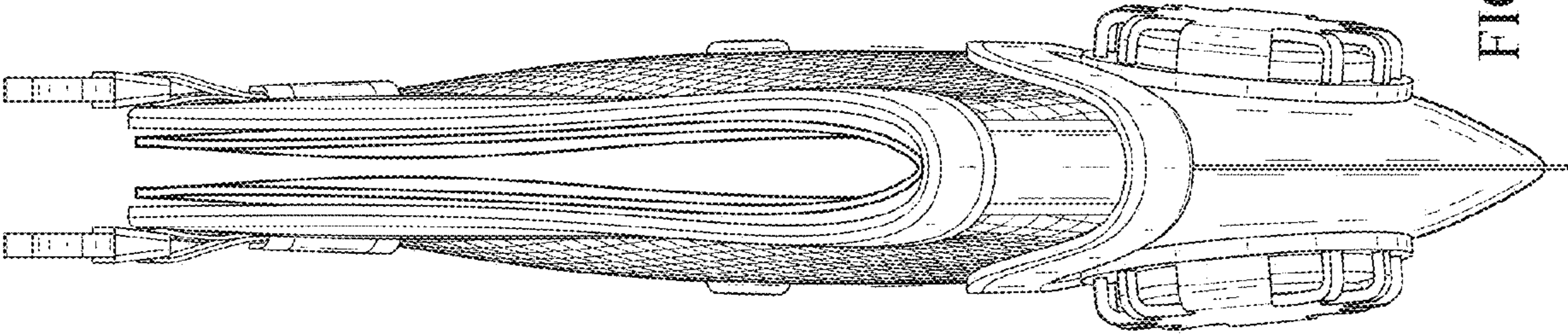


FIG. 4

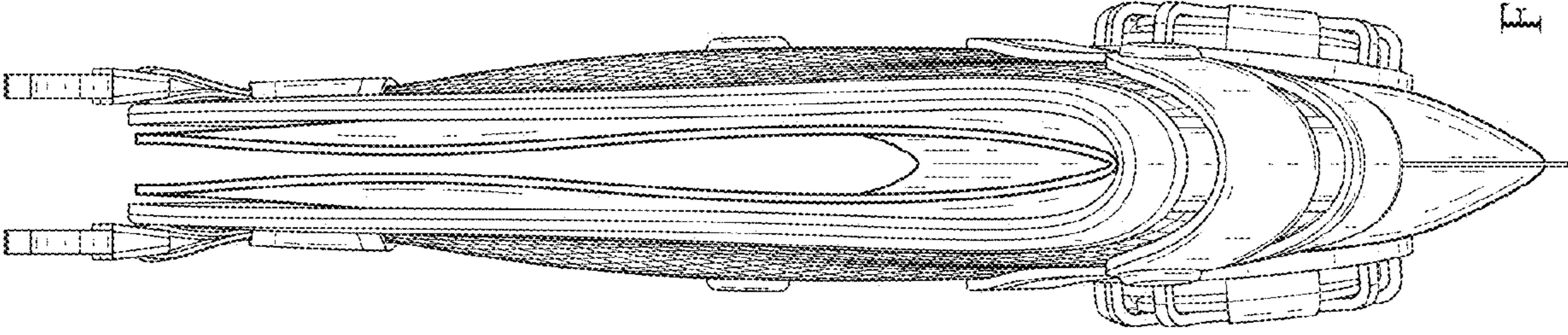


FIG. 3

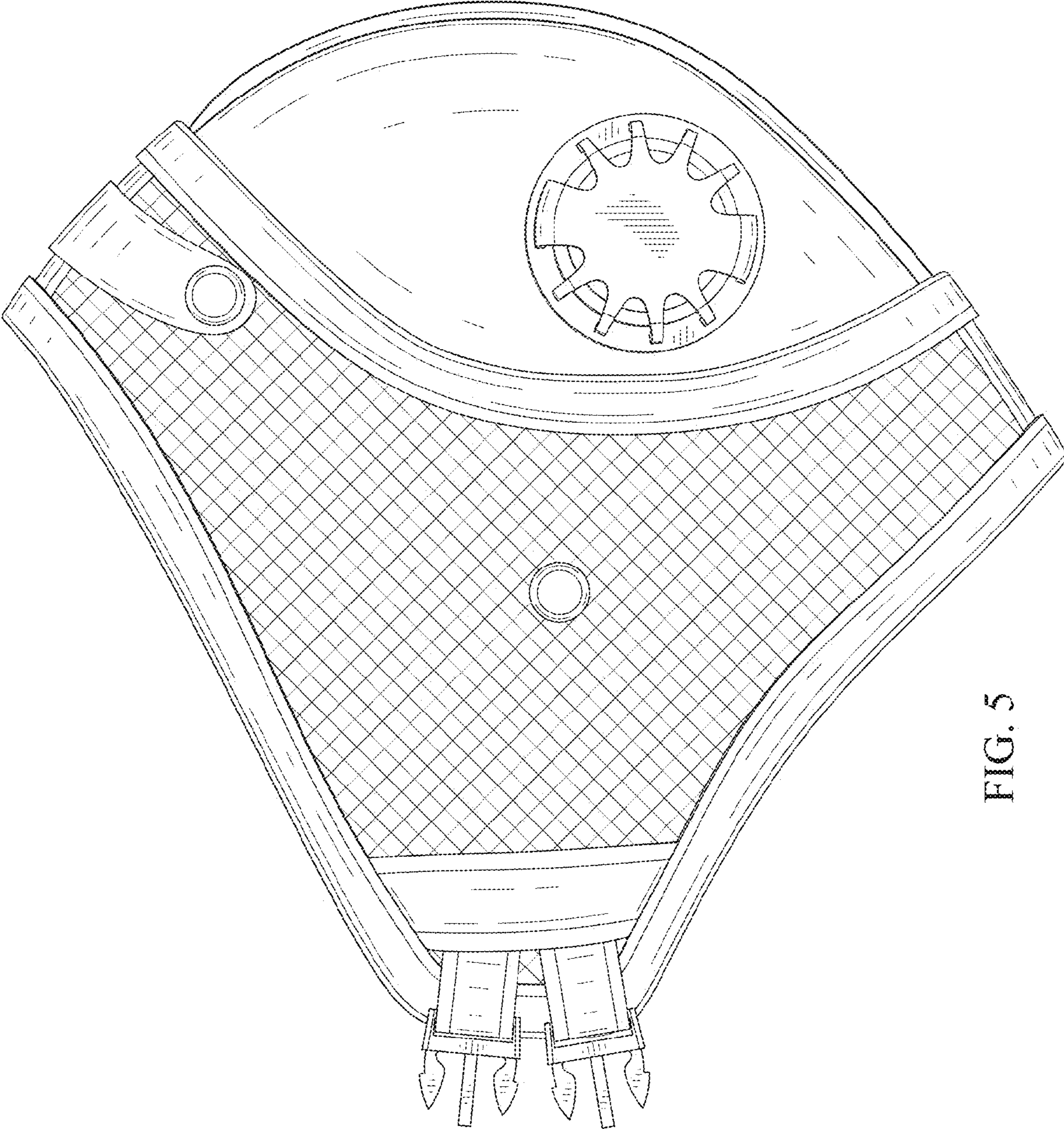


FIG. 5

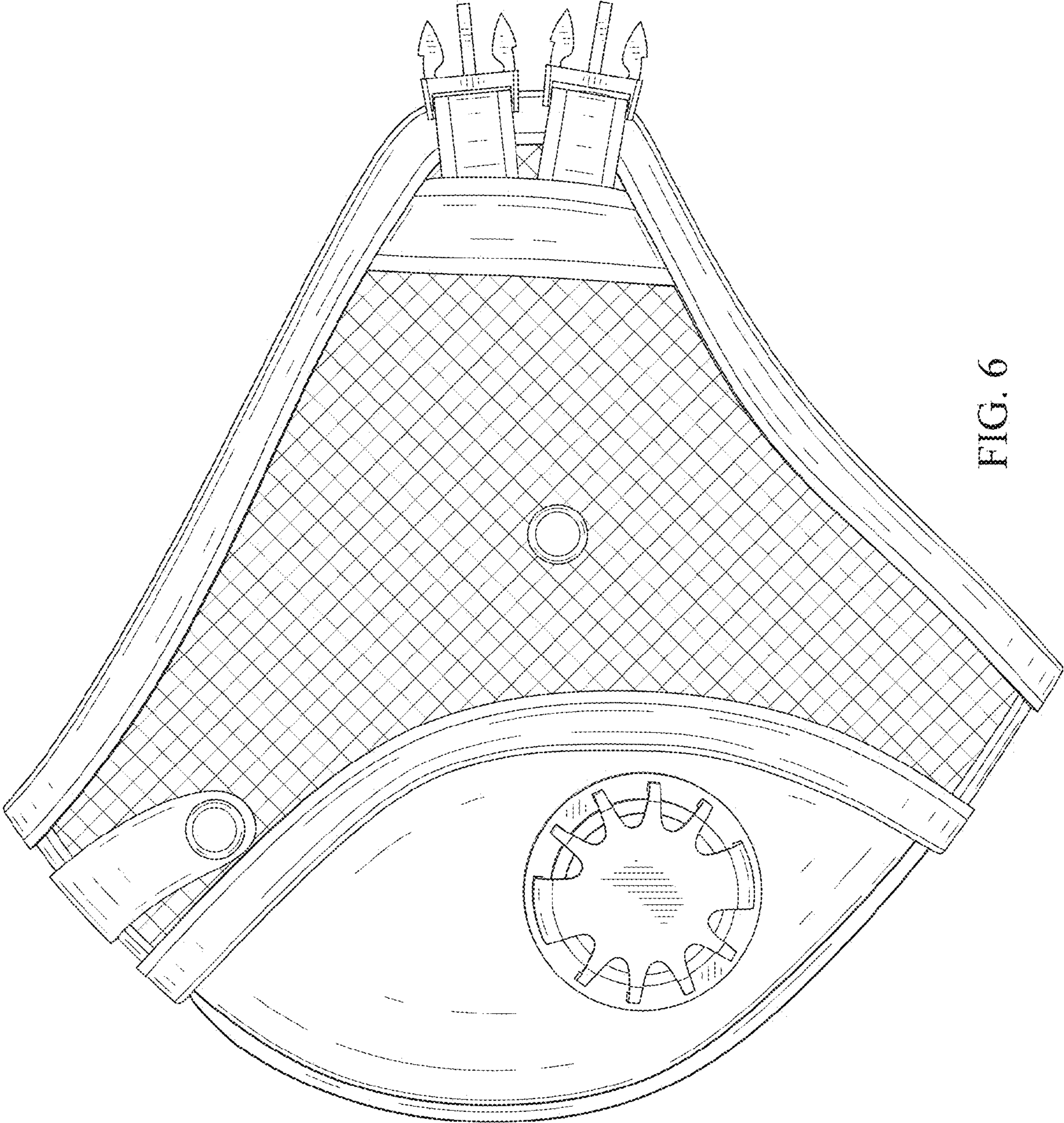


FIG. 6

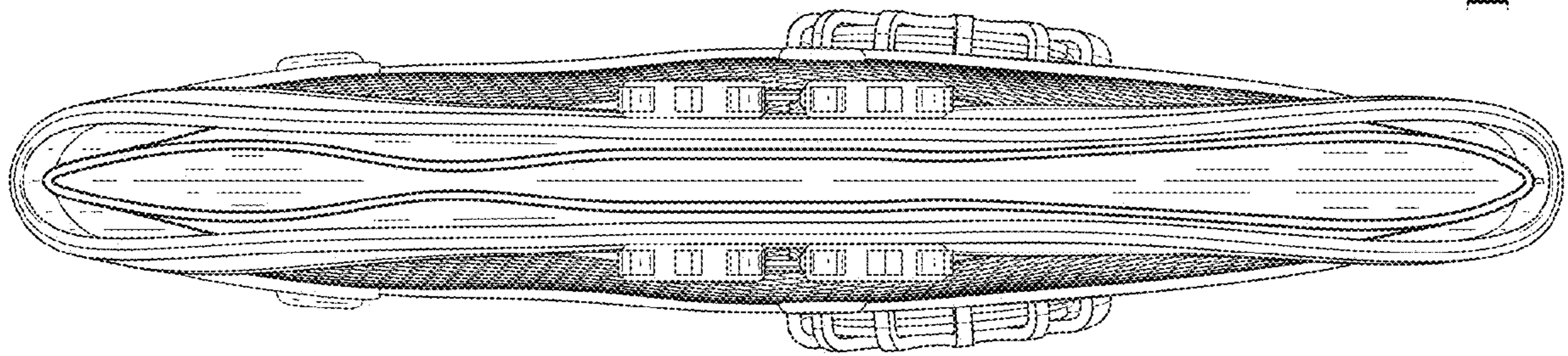


FIG. 8

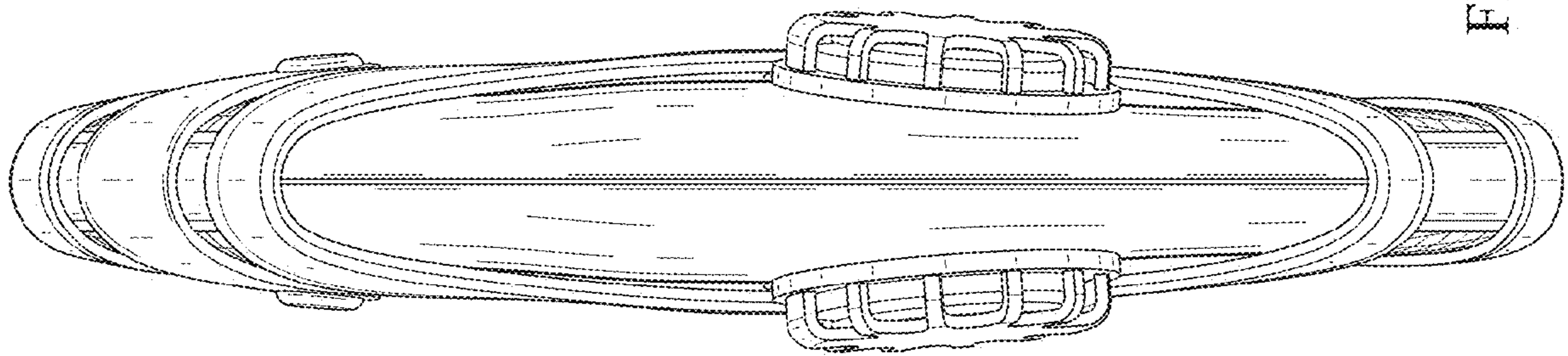


FIG. 7

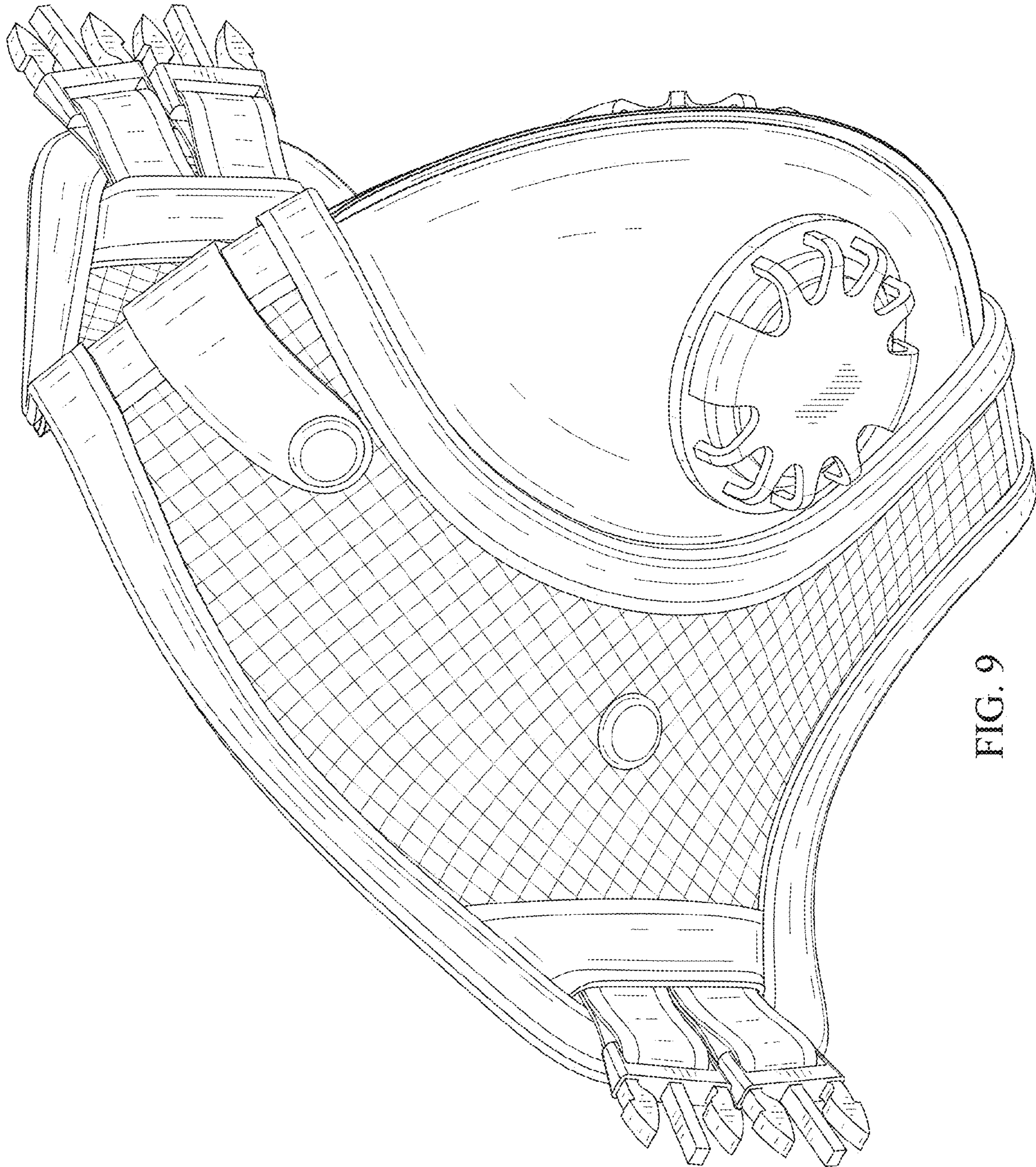


FIG. 9

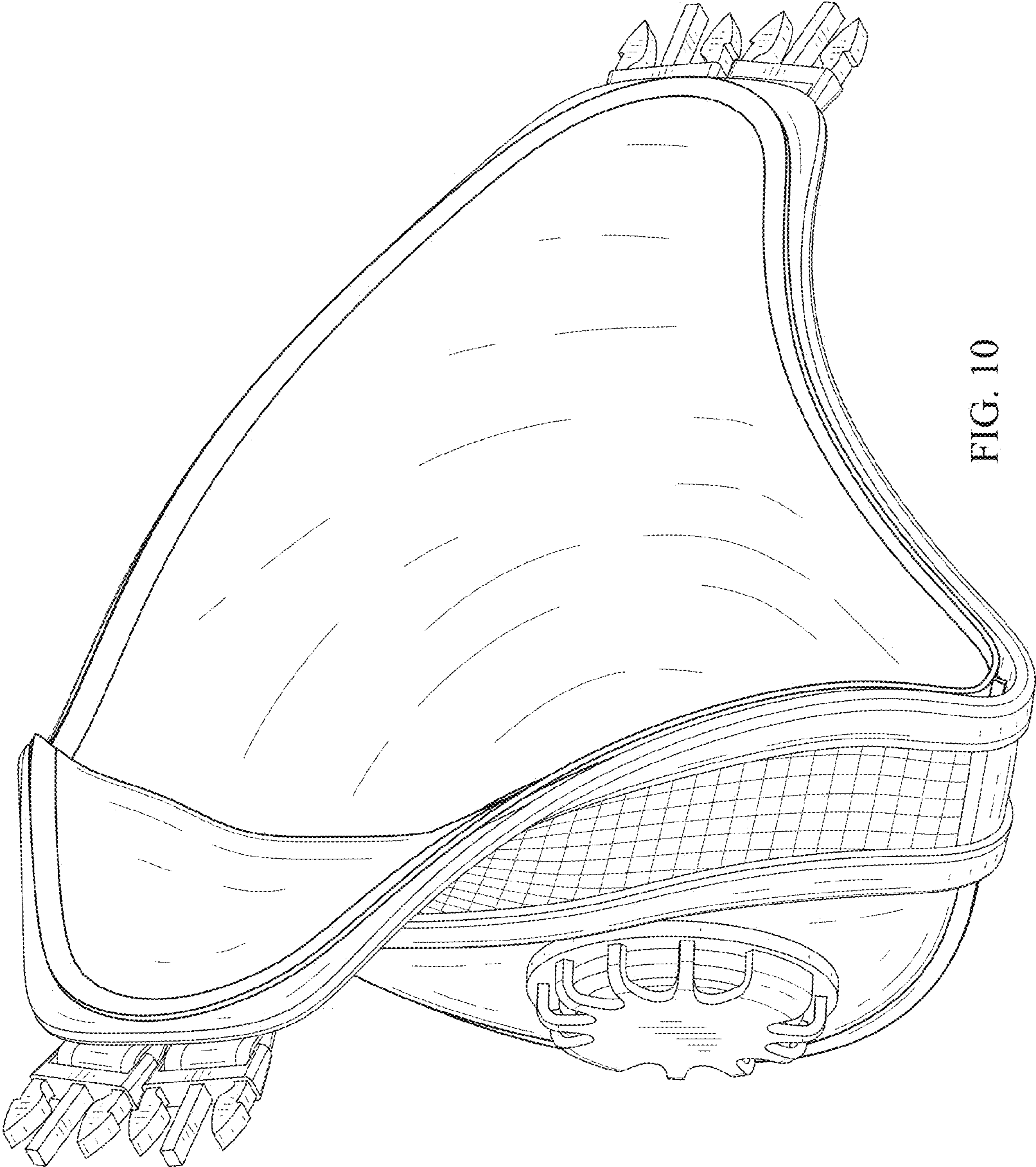


FIG. 10

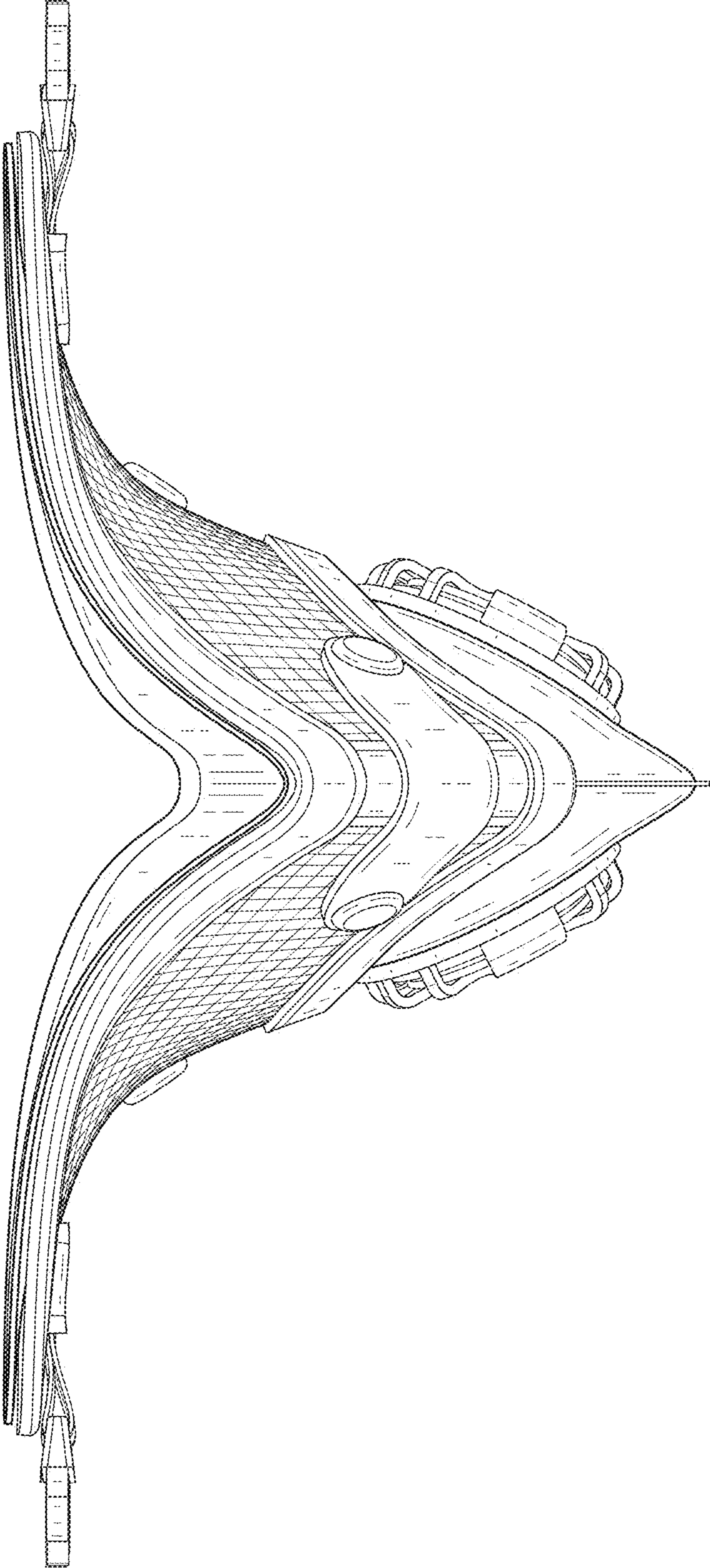


FIG. 11

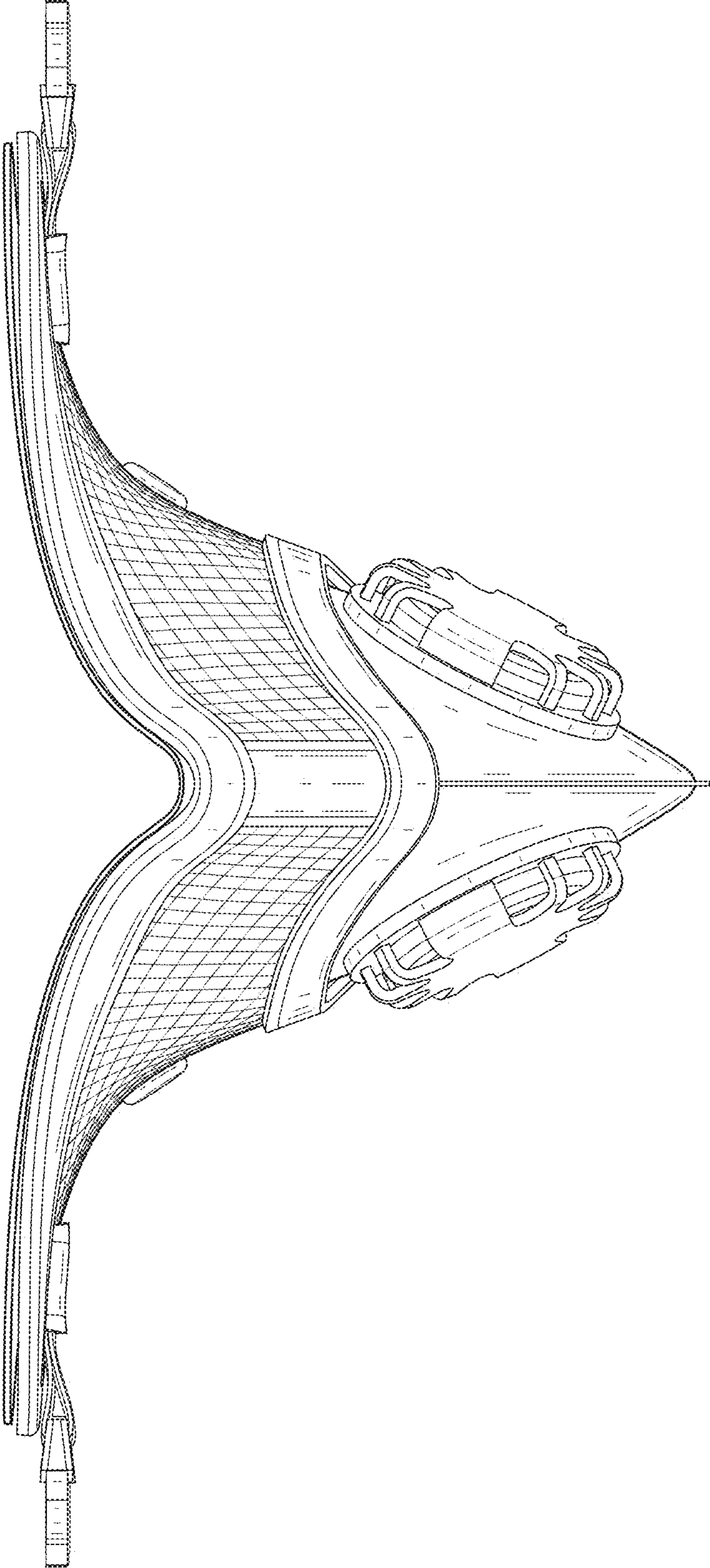


FIG. 12

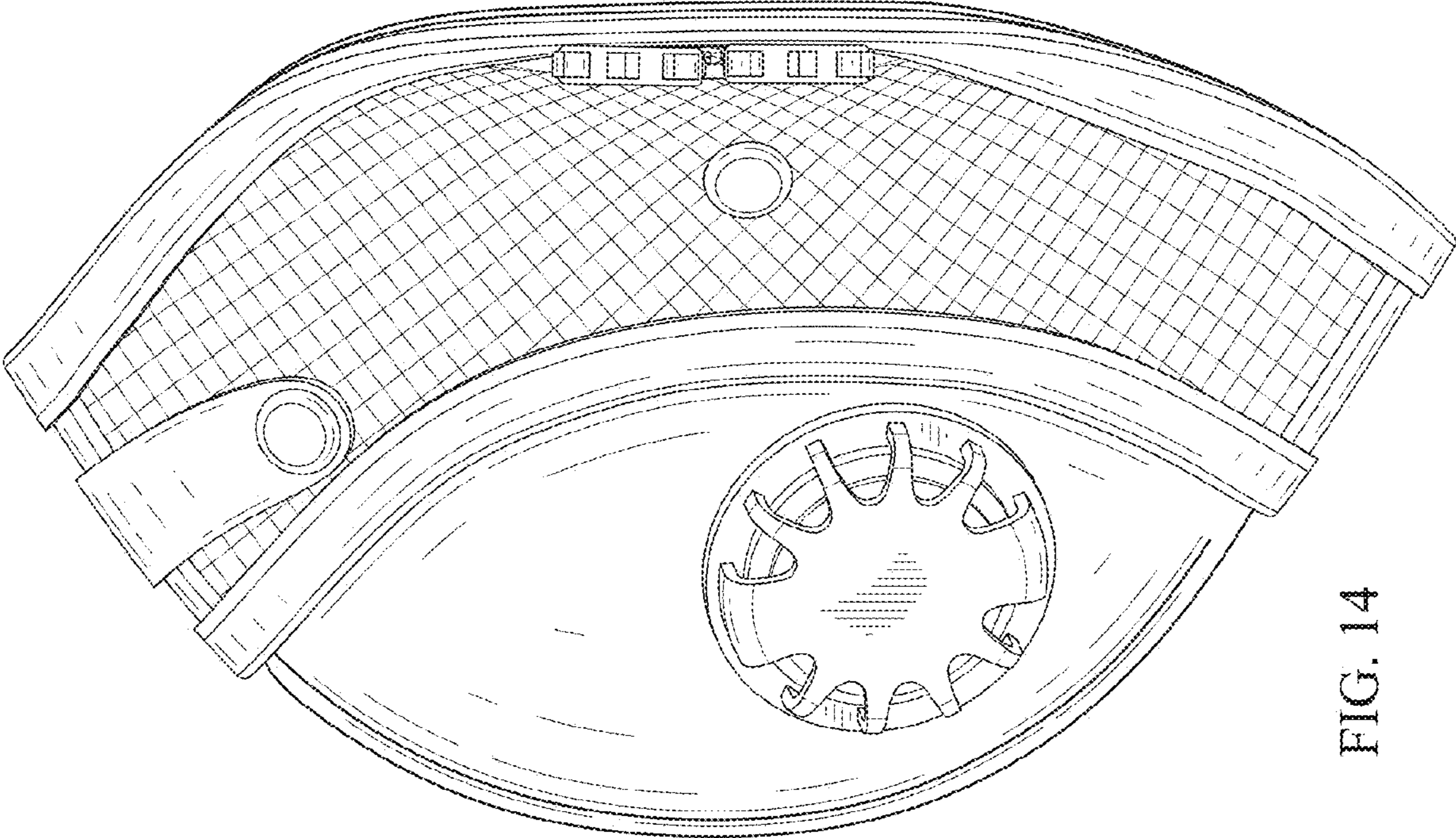


FIG. 14

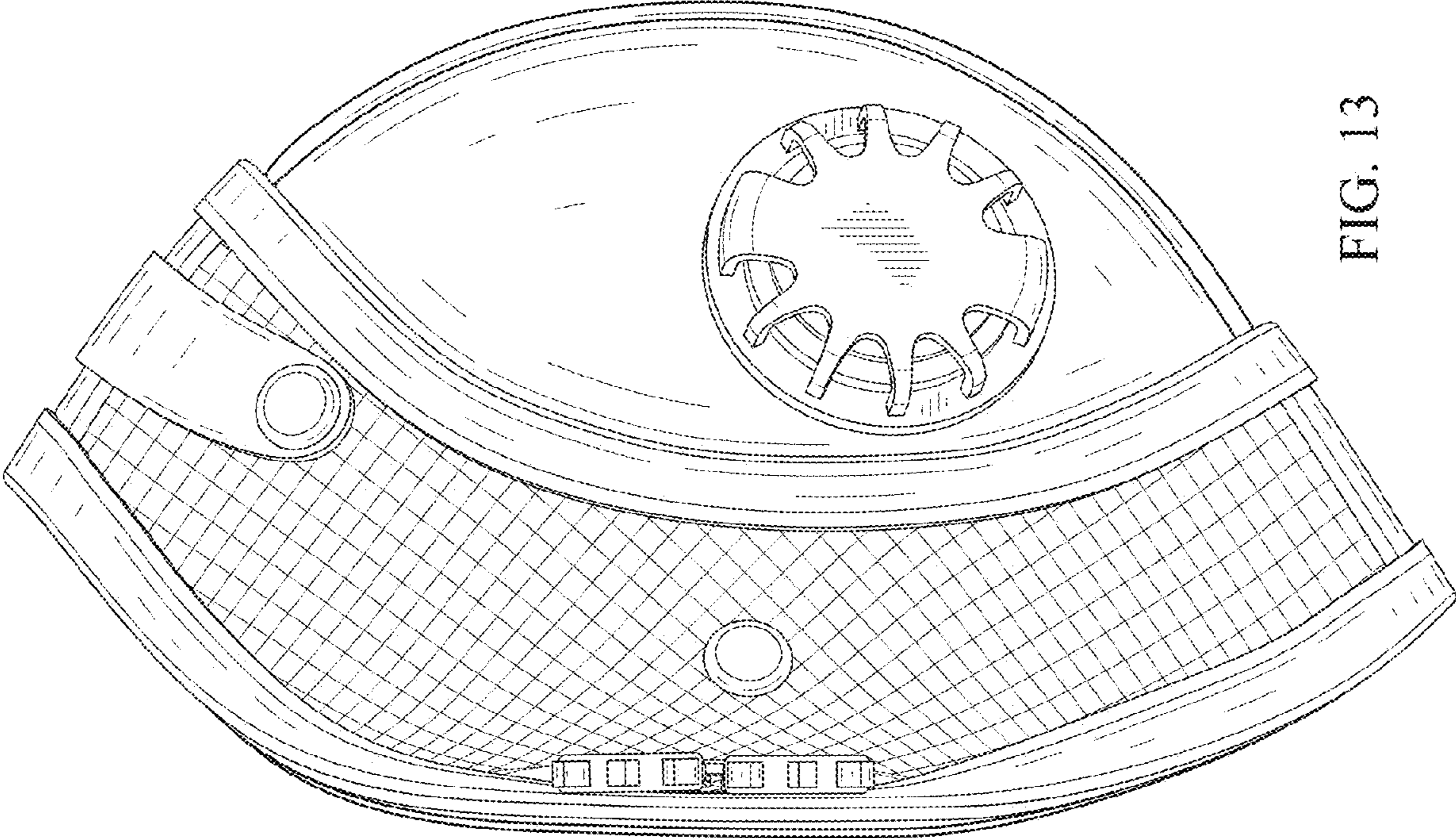


FIG. 13

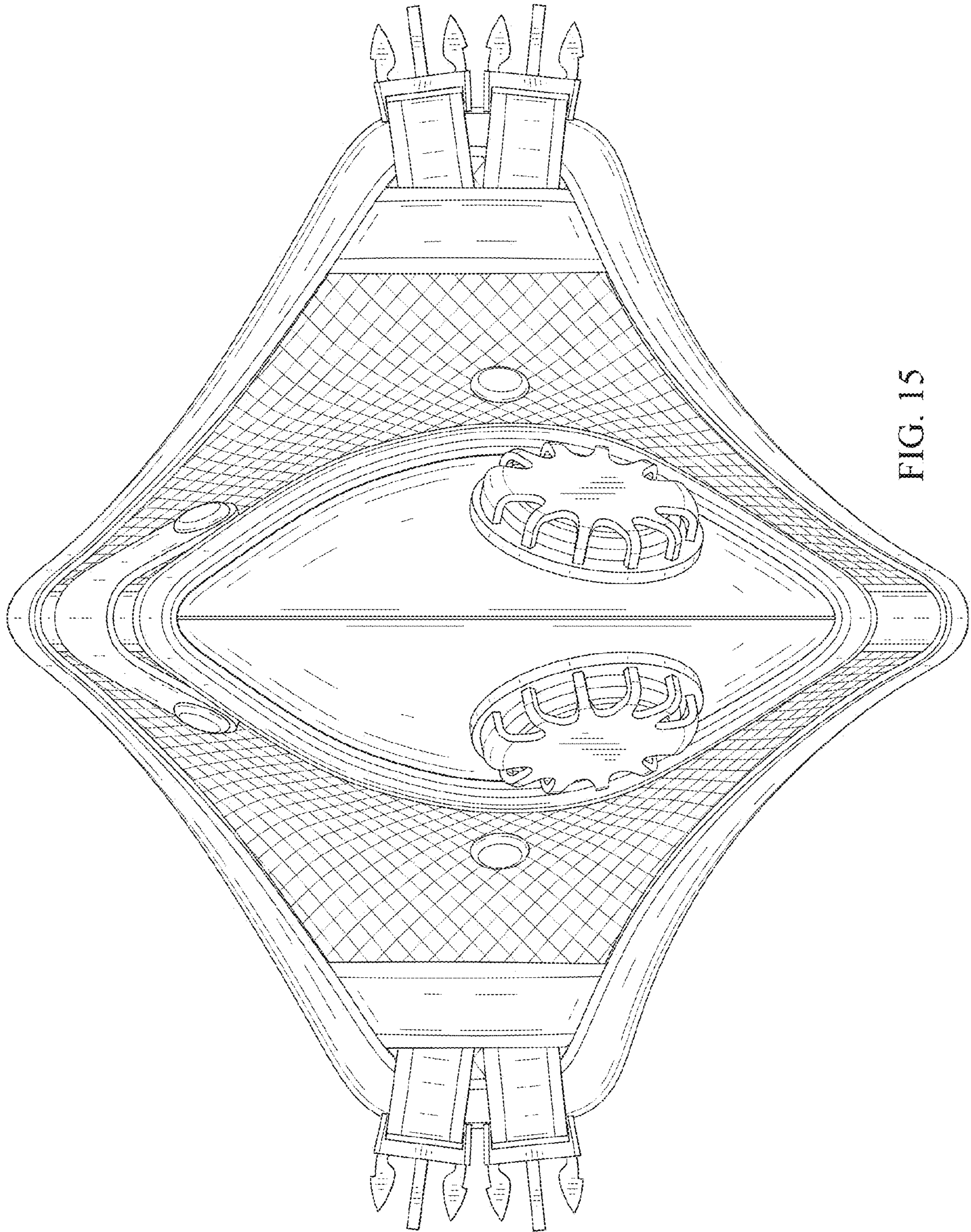


FIG. 15

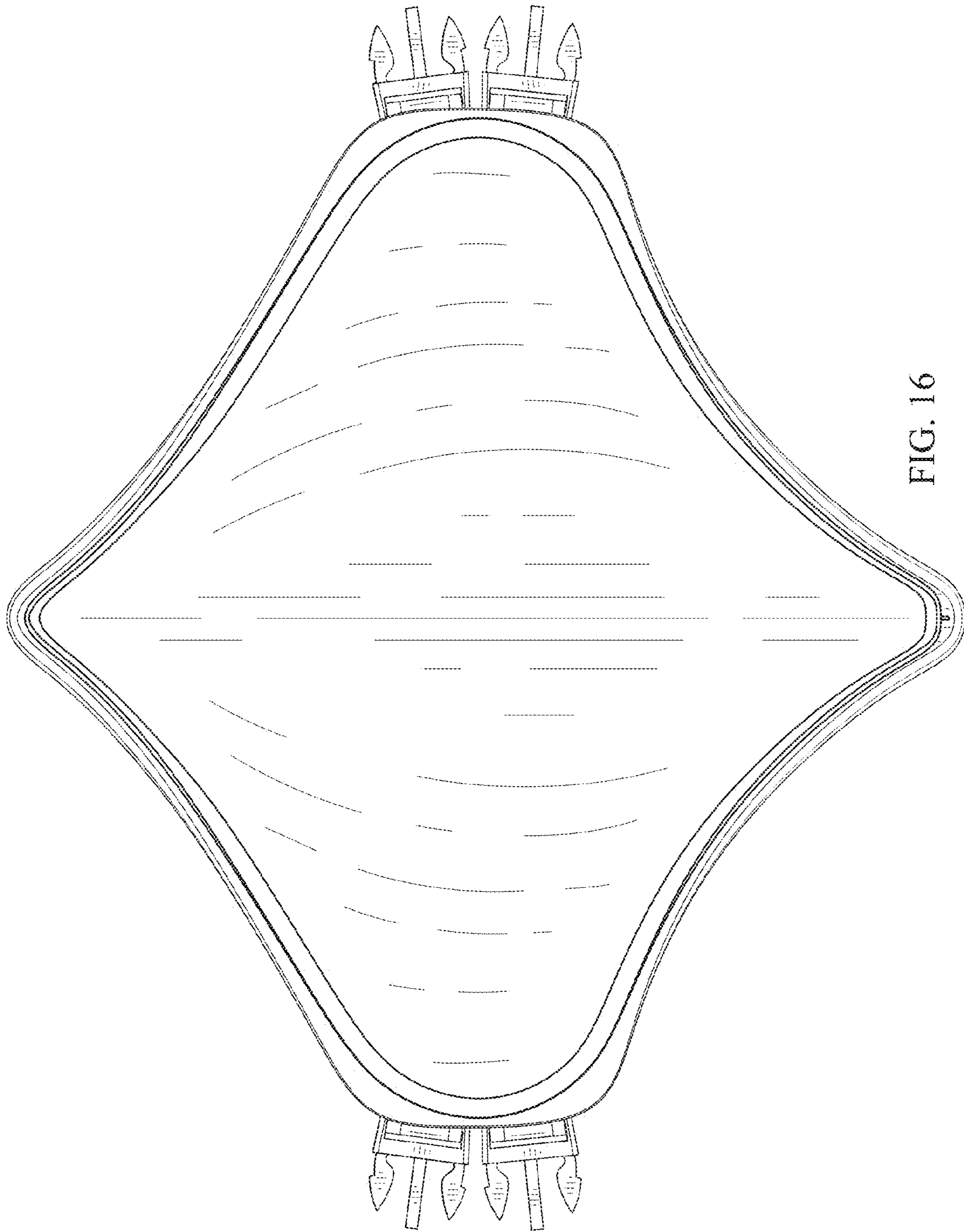


FIG. 16