



US00D919079S

(12) **United States Design Patent** (10) **Patent No.:** **US D919,079 S**
Mann (45) **Date of Patent:** **** May 11, 2021**

- (54) **EARPLUG**
- (71) Applicant: **Vibes LLC**, Minneapolis, MN (US)
- (72) Inventor: **Jackson Robert Mann**, Minneapolis, MN (US)
- (73) Assignee: **VIBES LLC**, Minneapolis, MN (US)
- (**) Term: **15 Years**
- (21) Appl. No.: **29/665,338**
- (22) Filed: **Oct. 2, 2018**

| | | | |
|-------------------|---------|---------------|-----------------------|
| D419,676 S | 1/2000 | Garcia | |
| D618,209 S | 6/2010 | Andre et al. | |
| D618,210 S | 6/2010 | Andre et al. | |
| D624,901 S | 10/2010 | Blanchard | |
| D649,656 S | 11/2011 | Petersen | |
| D675,194 S | 1/2013 | Andre et al. | |
| D804,012 S * | 11/2017 | Mann | D24/106 |
| 2005/0094835 A1 | 5/2005 | Doty | |
| 2006/0081415 A1 | 4/2006 | Knauer et al. | |
| 2008/0207790 A1 | 8/2008 | Knauer et al. | |
| 2009/0234182 A1 | 9/2009 | Buchholz | |
| 2013/0294634 A1 | 11/2013 | Chen | |
| 2014/0014121 A1 | 1/2014 | Endle et al. | |
| 2014/0301591 A1 | 10/2014 | Yang | |
| 2015/0047650 A1 | 2/2015 | Blanchard | |
| 2016/0096675 A1 * | 4/2016 | Dai | A61F 11/08 221/277 |
| 2017/0128268 A1 * | 5/2017 | Mann | A61F 11/08 |
| 2017/0319392 A1 * | 11/2017 | Knudsen | H04R 1/1083 |

Related U.S. Application Data

- (62) Division of application No. 29/627,422, filed on Nov. 27, 2017, now Pat. No. Des. 829,883, which is a division of application No. 29/544,925, filed on Nov. 7, 2015, now Pat. No. Des. 804,012.
- (51) **LOC (13) Cl.** **24-04**
- (52) **U.S. Cl.**
USPC **D24/106**
- (58) **Field of Classification Search**
USPC D24/106, 173, 174; D14/223; D29/112
CPC A61F 11/08; A61F 2011/085
See application file for complete search history.

* cited by examiner

Primary Examiner — Richelle G Shelton

(74) *Attorney, Agent, or Firm* — Mueting Raasch Group

(57) **CLAIM**

The ornamental design for an earplug, as shown and described.

DESCRIPTION

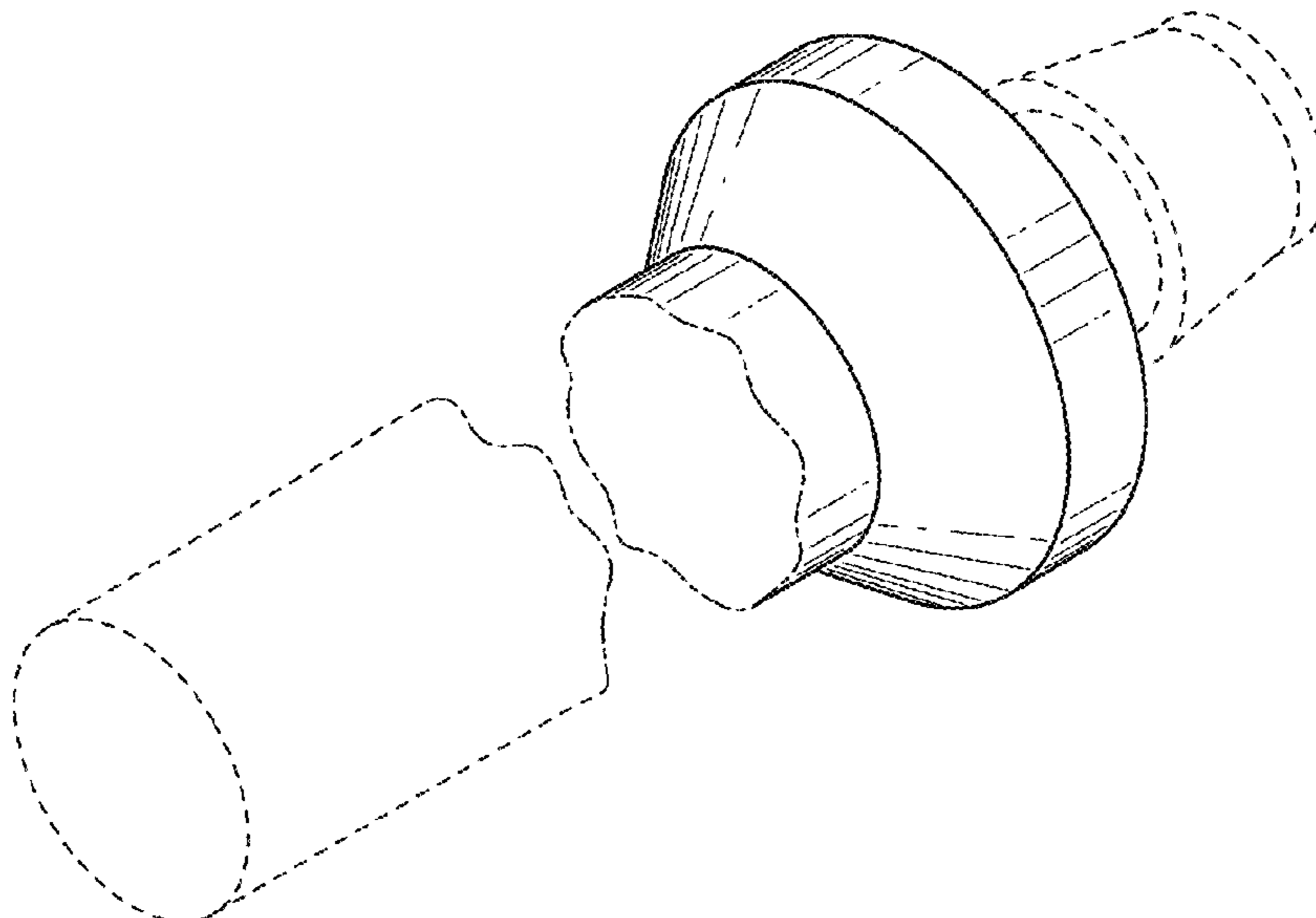
FIG. 1 is a perspective view of an earplug in accordance with the claimed design;
 FIG. 2 is a front elevation view of the design of FIG. 1, the rear elevation view being a mirror image thereof;
 FIG. 3 is a top plan view of the design of FIG. 1; and,
 FIG. 4 is a bottom plan view of the design of FIG. 1.
 The dash-dot break lines in the figures are used to indicate indeterminate length of the element in which the break lines are provided. The break lines form no part of the claimed design. The dashed broken lines are used to show elements of the article excluded from the claim.

1 Claim, 4 Drawing Sheets

(56) **References Cited**

U.S. PATENT DOCUMENTS

| | | | |
|---------------|---------|----------------|-----------------------|
| D97,038 S * | 10/1935 | Cohn | D24/106 |
| 2,430,229 A | 11/1947 | Kelsey | |
| 2,619,960 A | 12/1952 | Reynolds | |
| 3,930,560 A | 1/1976 | Carlson et al. | |
| 4,852,683 A | 8/1989 | Killion | |
| 5,113,967 A * | 5/1992 | Killion | A61F 11/08 181/132 |
| 5,631,965 A | 5/1997 | Chang et al. | |
| D402,752 S | 12/1998 | Falco | |
| D405,532 S * | 2/1999 | Melendez | D24/200 |
| D413,379 S * | 8/1999 | Leight | D24/106 |



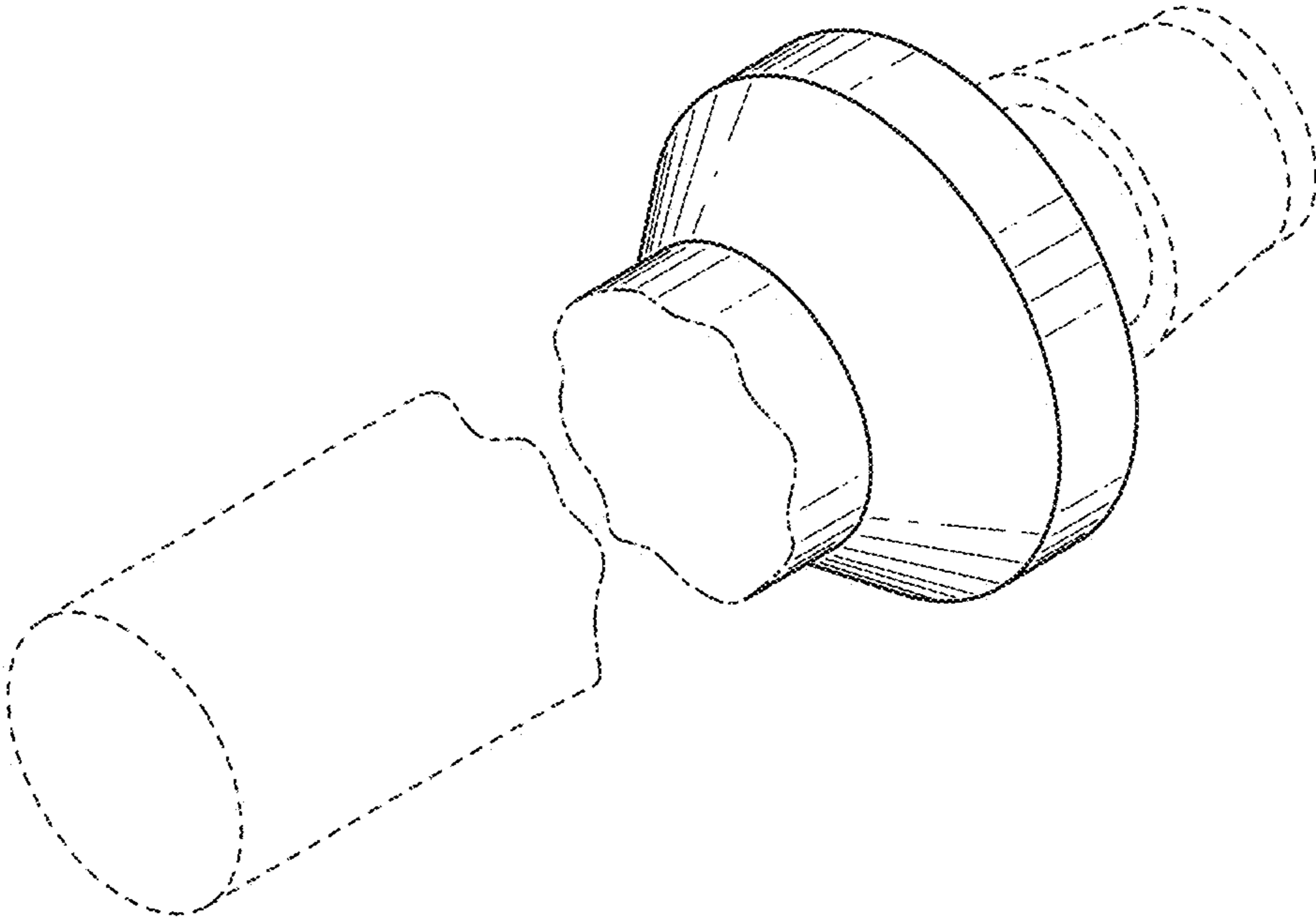


FIG. 1

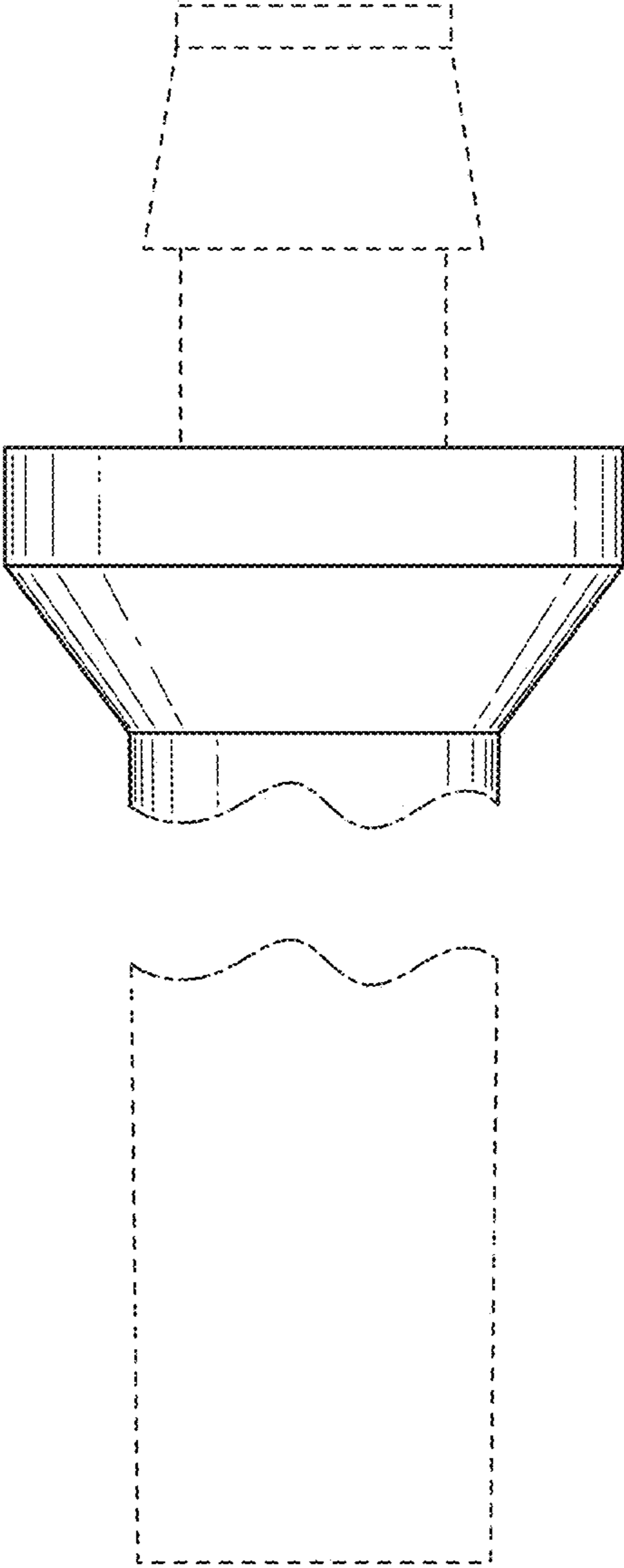


FIG. 2

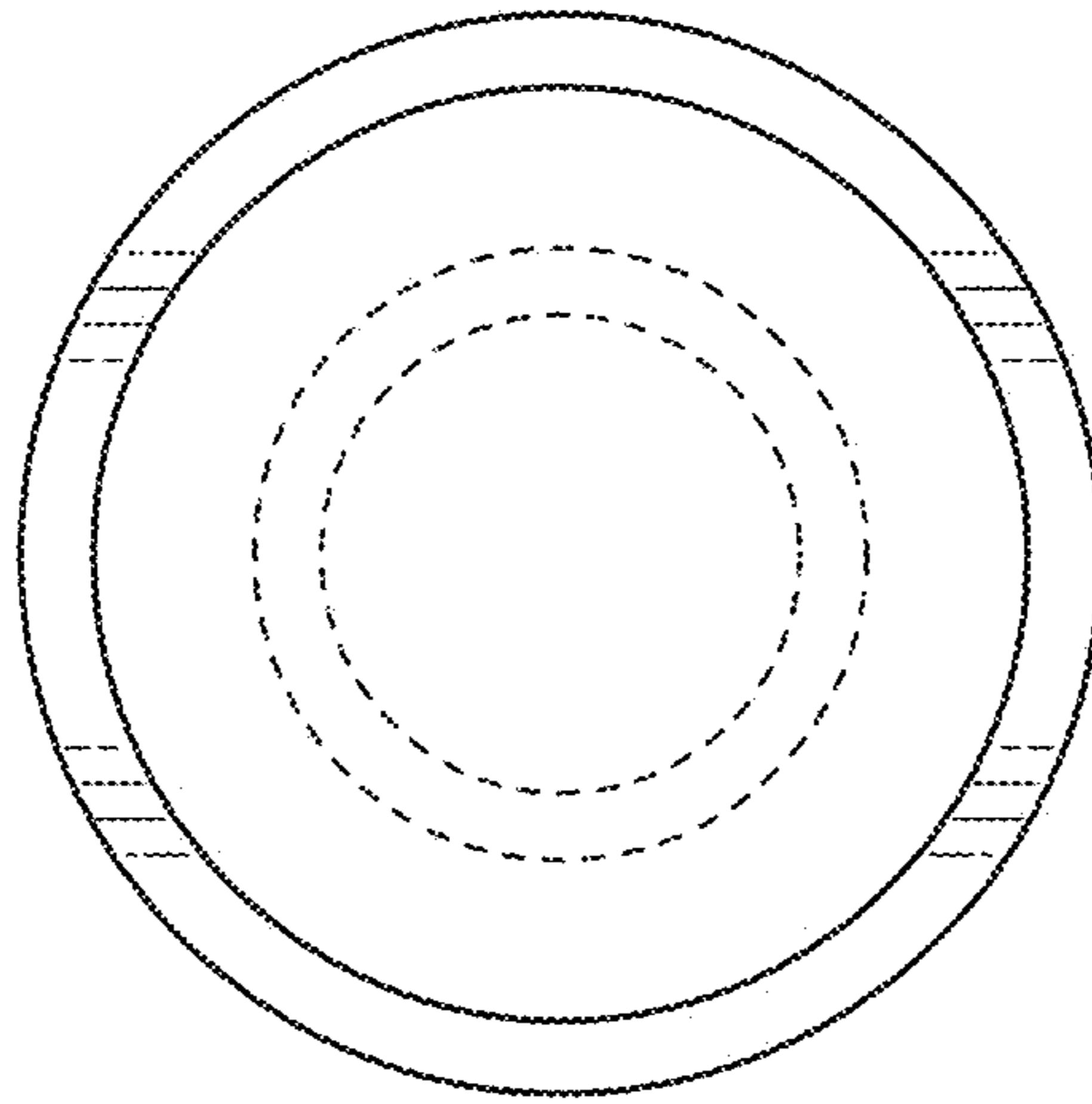


FIG. 3

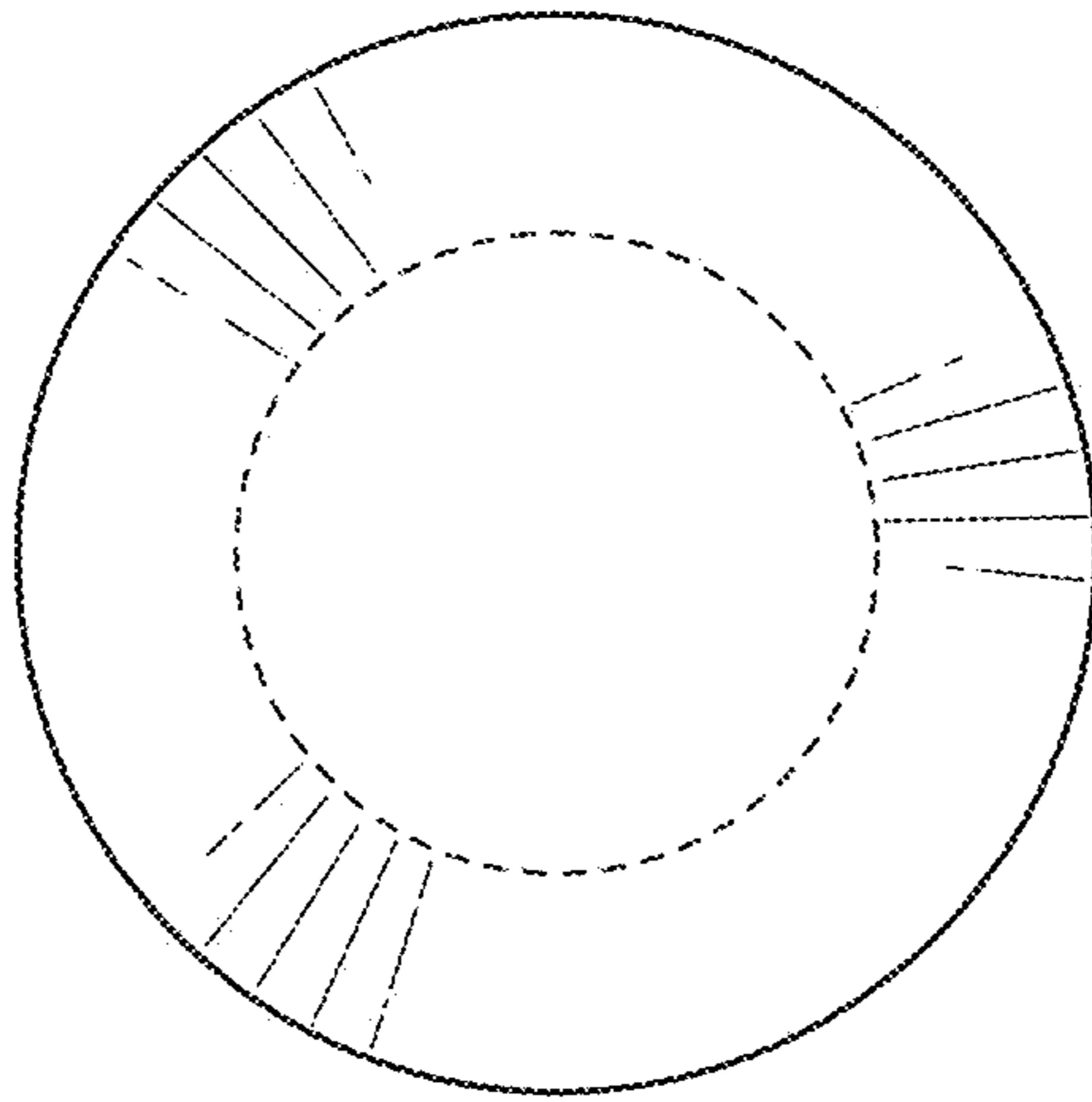


FIG. 4