



US00D919077S

(12) **United States Design Patent** (10) **Patent No.:** **US D919,077 S**  
**Benz et al.** (45) **Date of Patent:** **\*\* May 11, 2021**

(54) **HEAT RECOVERY DEVICE**

(71) Applicant: **Vent Genius LLC**, Clearwater, FL (US)

(72) Inventors: **Gary Benz**, Cincinnati, OH (US);  
**James Banks**, Clearwater, FL (US)

(73) Assignee: **Vent Genius LLC**, Clearwater, FL (US)

(\*\*) Term: **15 Years**

(21) Appl. No.: **29/697,345**

(22) Filed: **Jul. 8, 2019**

(51) **LOC (13) Cl.** ..... **23-03**

(52) **U.S. Cl.**  
USPC ..... **D23/393**

(58) **Field of Classification Search**  
USPC ..... D23/262, 263, 386, 387, 388, 389, 390,  
D23/393; D32/8, 25  
CPC ..... D06F 58/02; D06F 58/20; D06F 58/26;  
F24F 12/00; F24F 13/06; F24F 13/072;  
F24F 13/08; F24F 13/082; F24F 13/084;  
F24F 2007/0025

See application file for complete search history.

(56) **References Cited**

**U.S. PATENT DOCUMENTS**

3,157,391 A 11/1964 Angelone  
3,959,892 A 6/1976 Cloud et al.  
3,995,988 A 12/1976 Freze  
3,999,304 A \* 12/1976 Doty ..... A45D 20/52  
34/82  
4,106,214 A 8/1978 Schmidt  
4,121,351 A \* 10/1978 Kapke ..... D06F 58/20  
34/239  
D258,609 S \* 3/1981 Vogt ..... D23/364

(Continued)

**FOREIGN PATENT DOCUMENTS**

ES 1078811 U 3/2013

**OTHER PUBLICATIONS**

“Vent Genius” Jul. 5, 2019, Facebook, site visited Mar. 1, 2021:  
<https://www.facebook.com/pg/VentGenius/posts/> (Year: 2019).\*

(Continued)

*Primary Examiner* — Jack Reickel

*Assistant Examiner* — Bobby W Jones, II

(74) *Attorney, Agent, or Firm* — Wood Herron & Evans  
LLP

(57) **CLAIM**

The ornamental design for a heat recovery device, as shown  
and described.

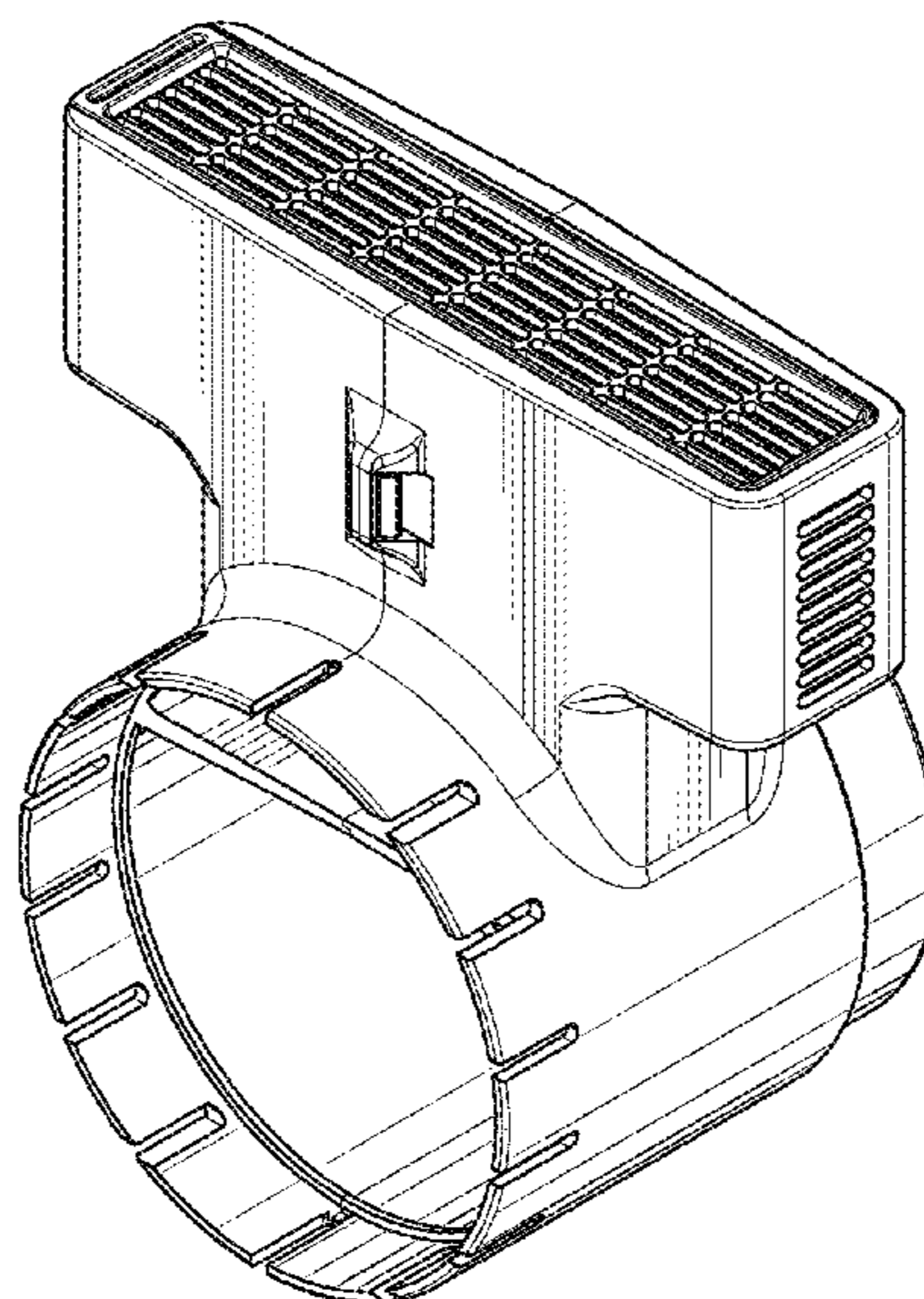
**DESCRIPTION**

FIG. 1 is a top, right, front isometric view of a first  
embodiment of the heat recovery device;  
FIG. 2 is a top, left, rear isometric view thereof;  
FIG. 3 is a front view thereof;  
FIG. 4 is a rear view thereof;  
FIG. 5 is a right side view thereof;  
FIG. 6 is a left side view thereof;  
FIG. 7 is a top view thereof; and  
FIG. 8 is a bottom view.

FIG. 9 is a top, right, front isometric view of a second  
embodiment of the heat recovery device;  
FIG. 10 is a top, left, rear isometric view thereof;  
FIG. 11 is a front view thereof;  
FIG. 12 is a rear view thereof;  
FIG. 13 is a right side view thereof;  
FIG. 14 is a left side view thereof;  
FIG. 15 is a top view thereof; and,  
FIG. 16 is a bottom view.

The broken dash lines shown in the drawing views represent  
non-claimed subject matter, and neither the lines themselves  
nor anything within the lines form any part of the claimed  
invention.

**1 Claim, 8 Drawing Sheets**



(56)

References Cited

U.S. PATENT DOCUMENTS

4,338,731 A \* 7/1982 Shames ..... D06F 58/20  
137/875  
4,380,126 A 4/1983 Kinder  
4,395,831 A \* 8/1983 Nielsen ..... D06F 58/20  
34/235  
4,434,564 A \* 3/1984 Braggins, Jr. .... D06F 58/20  
34/235  
RE31,562 E \* 4/1984 Bede ..... D06F 58/20  
137/875  
D281,271 S \* 11/1985 Meyer ..... D23/365  
4,569,110 A \* 2/1986 Goettel ..... F16L 37/008  
126/153  
4,712,501 A \* 12/1987 Whitley, II ..... B63B 3/66  
114/211  
D330,076 S \* 10/1992 Evans ..... D23/386  
6,189,228 B1 \* 2/2001 Schuette ..... D06F 58/20  
34/235  
D475,131 S \* 5/2003 Pilger ..... D23/393  
D475,448 S \* 6/2003 Stout, Jr. .... D23/266  
7,338,095 B1 \* 3/2008 Karnes ..... F16L 41/02  
24/16 PB  
D612,925 S \* 3/2010 Kameyama ..... D23/393  
D658,831 S \* 5/2012 Robinson ..... D32/25

D689,250 S \* 9/2013 Zelaya ..... D32/25  
D745,115 S \* 12/2015 Kuang ..... D23/261  
D761,397 S \* 7/2016 DeNooy ..... D23/267  
9,593,441 B2 \* 3/2017 Gregory ..... D06F 58/22  
9,745,690 B2 8/2017 Lee et al.  
D846,086 S \* 4/2019 Naber ..... D23/259  
D875,233 S \* 2/2020 Sykes ..... D23/371  
2012/0272543 A1 11/2012 Yang  
2014/0082956 A1 \* 3/2014 Sullivan ..... F26B 25/009  
34/82  
2015/0198342 A1 \* 7/2015 Merscher ..... F24F 12/001  
165/11.1  
2020/0048818 A1 \* 2/2020 Benz ..... D06F 58/30

OTHER PUBLICATIONS

“BetterVent Indoor Dryer Vent” Feb. 13, 2015, Amazon, site visited Mar. 1, 2021: <https://www.amazon.com/dp/B00Q4X2FSM/> (Year: 2015).\*

“Imperial Manufacturing Straight Register Boot”, Jan. 12, 2015, Amazon, site visited Mar. 1, 2021: <https://www.amazon.ca/dp/B00PV46MHA/> (Year: 2015).\*

Deflect-O Hardware; Technical Product Specifications of EX12 Extra Heat Dryer Heat Saver dated Jun. 2001; 1 page.

\* cited by examiner

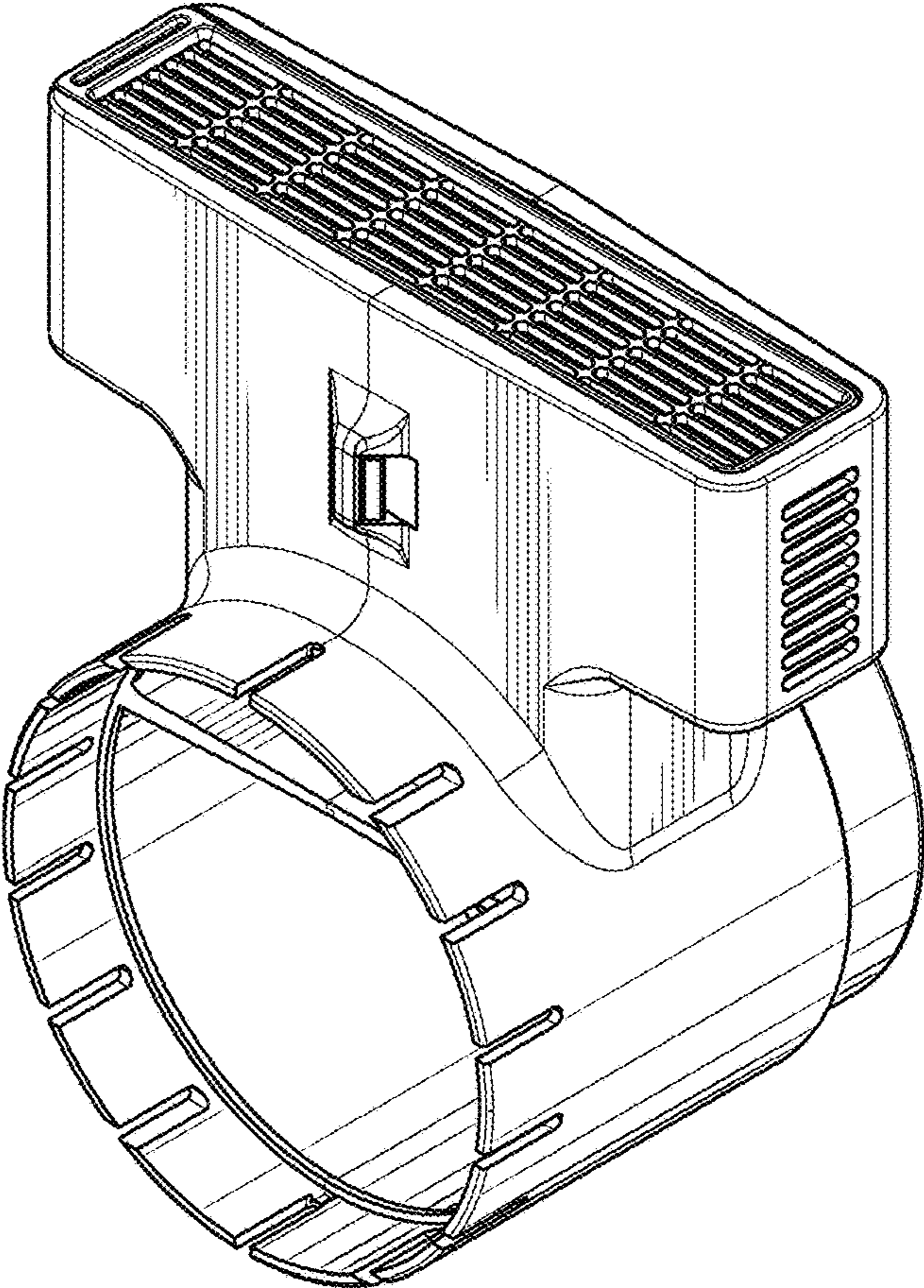


FIG. 1

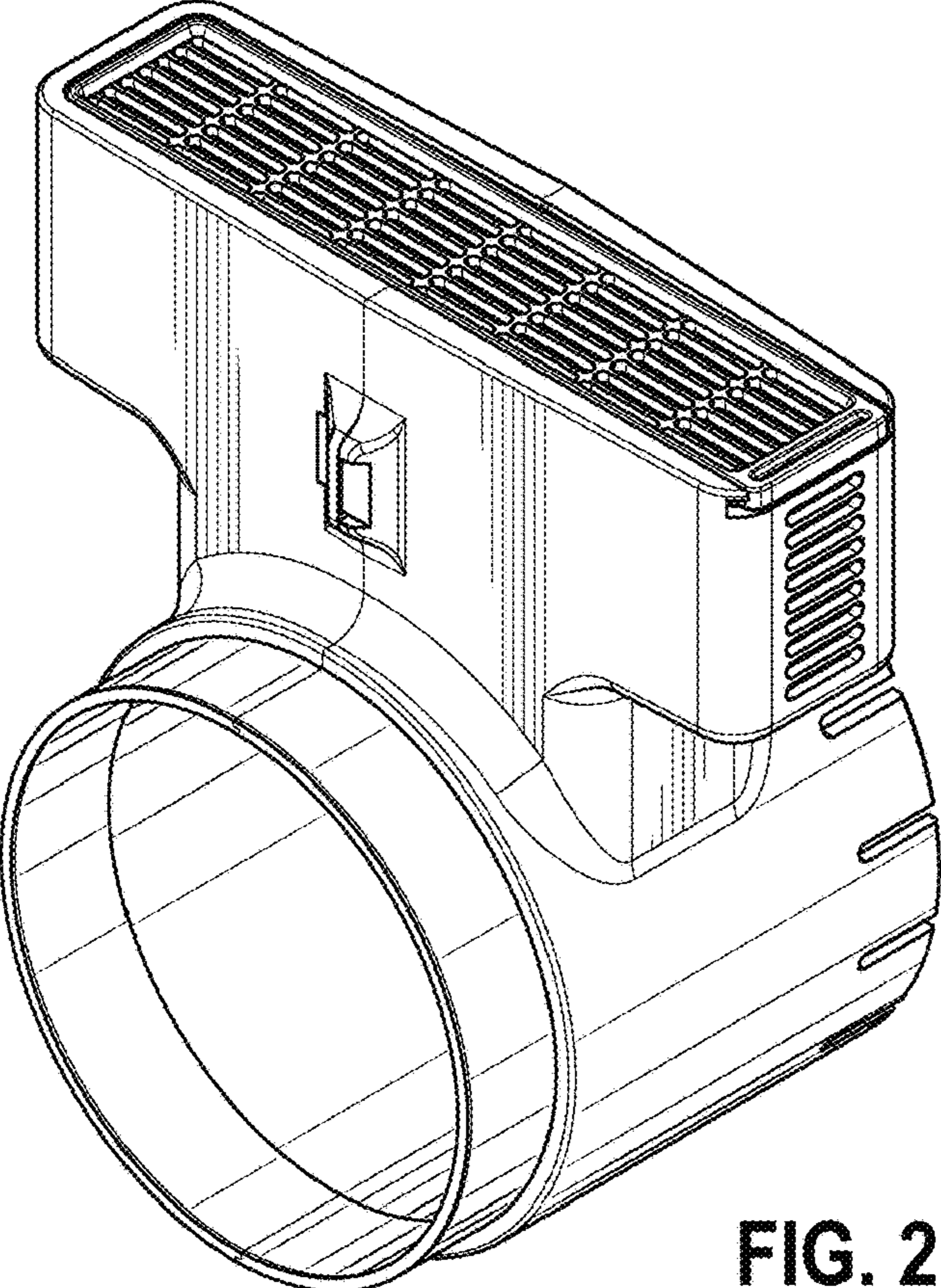


FIG. 2

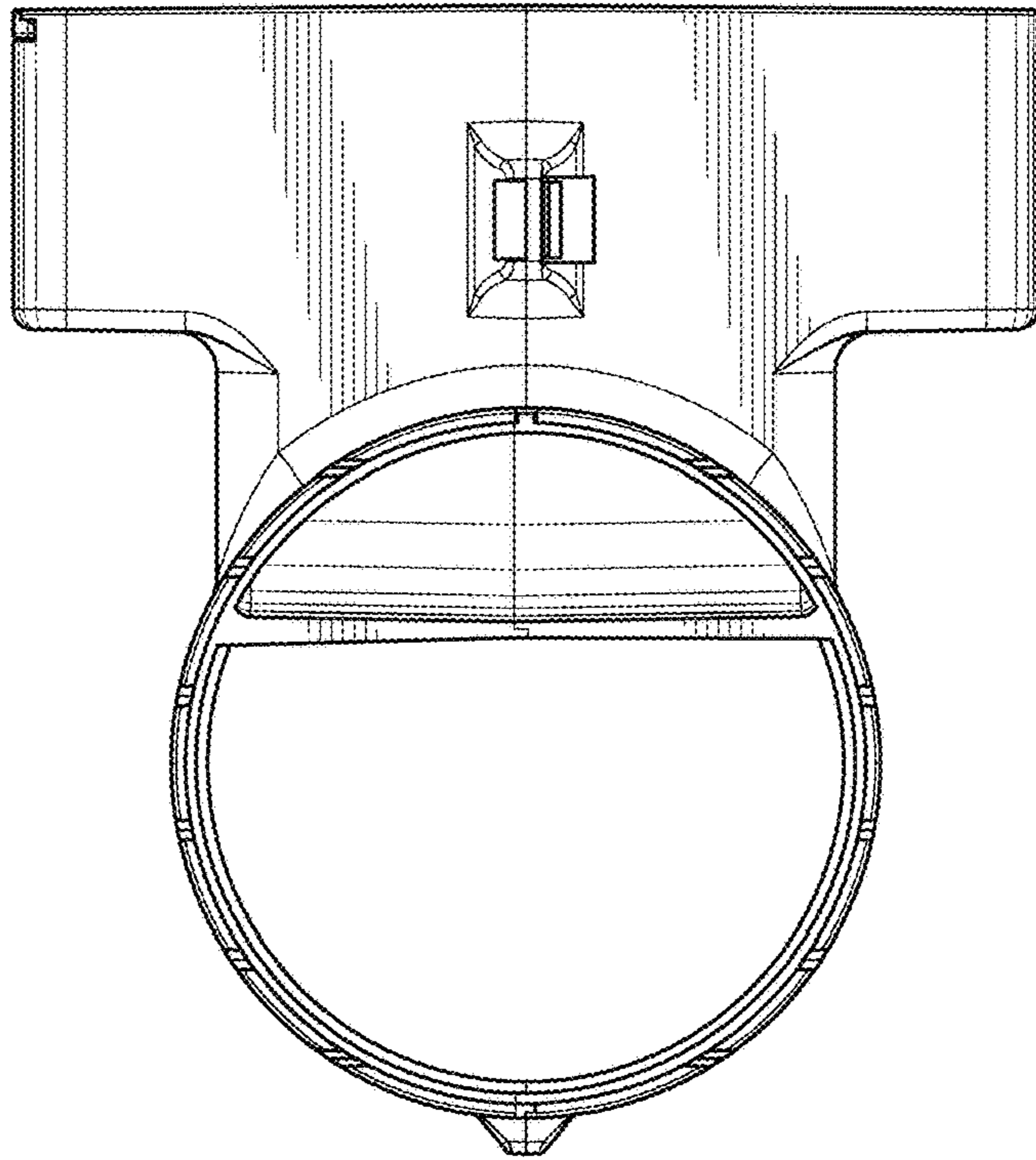


FIG. 3

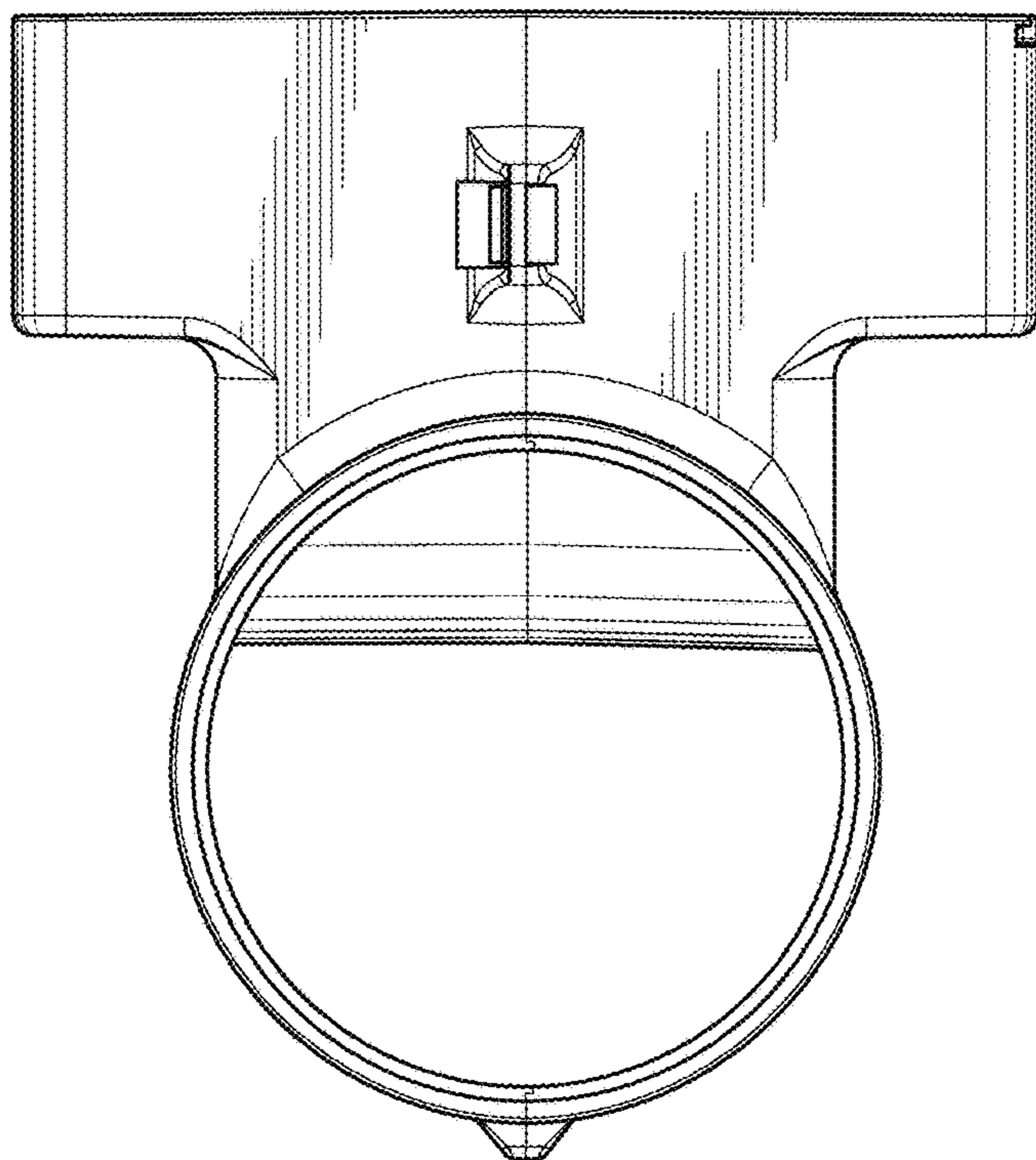


FIG. 4

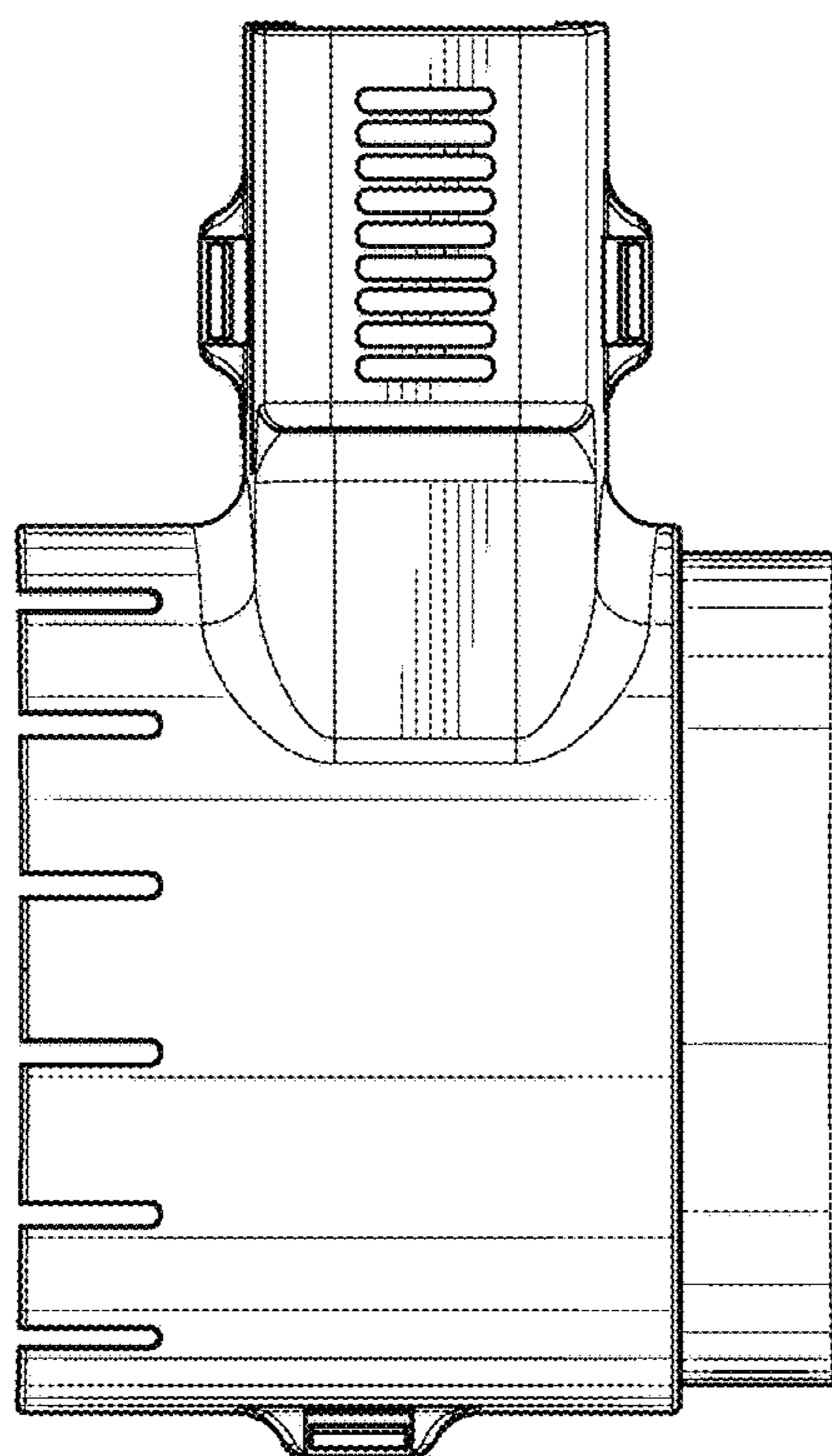


FIG. 5

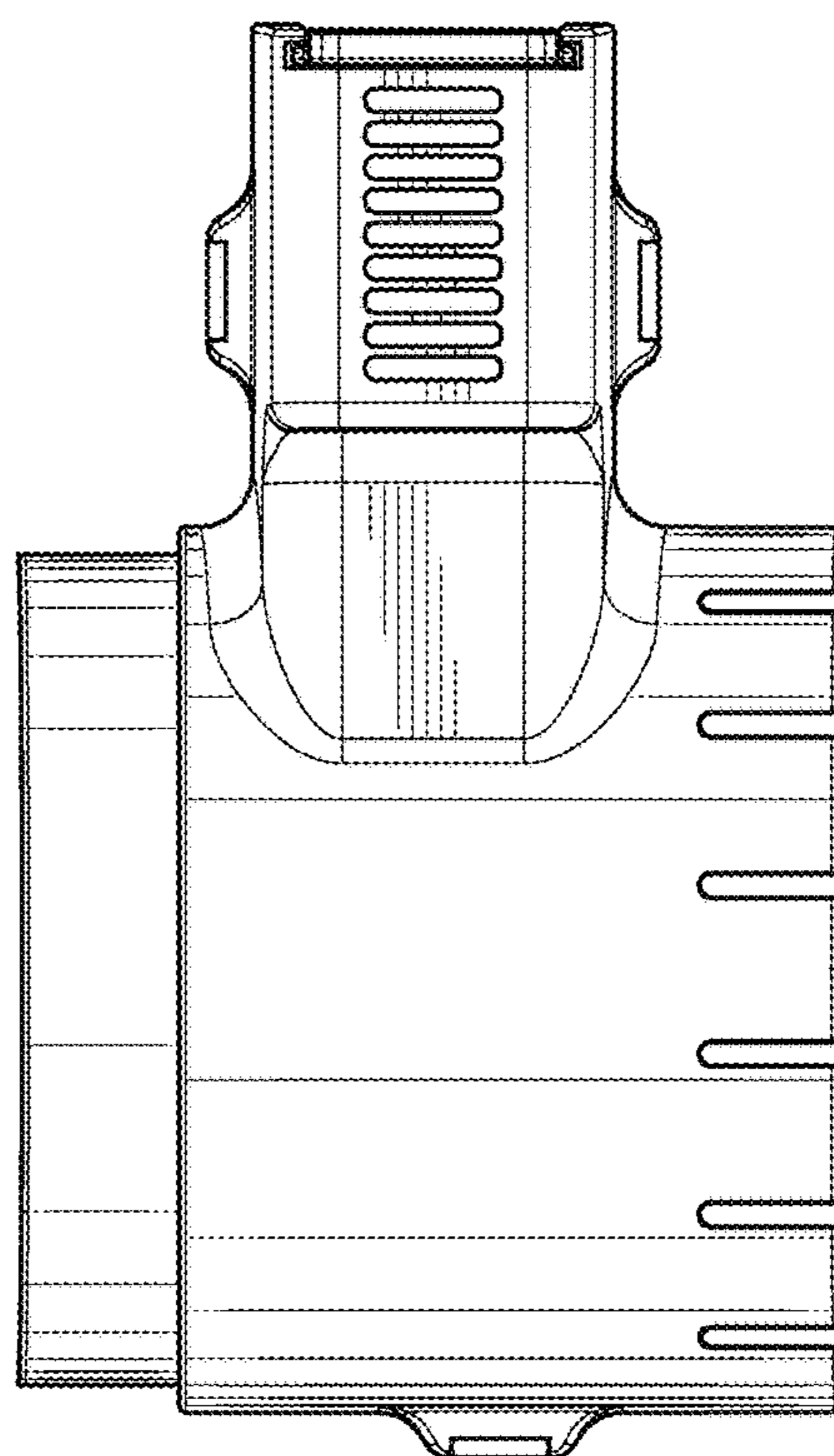


FIG. 6

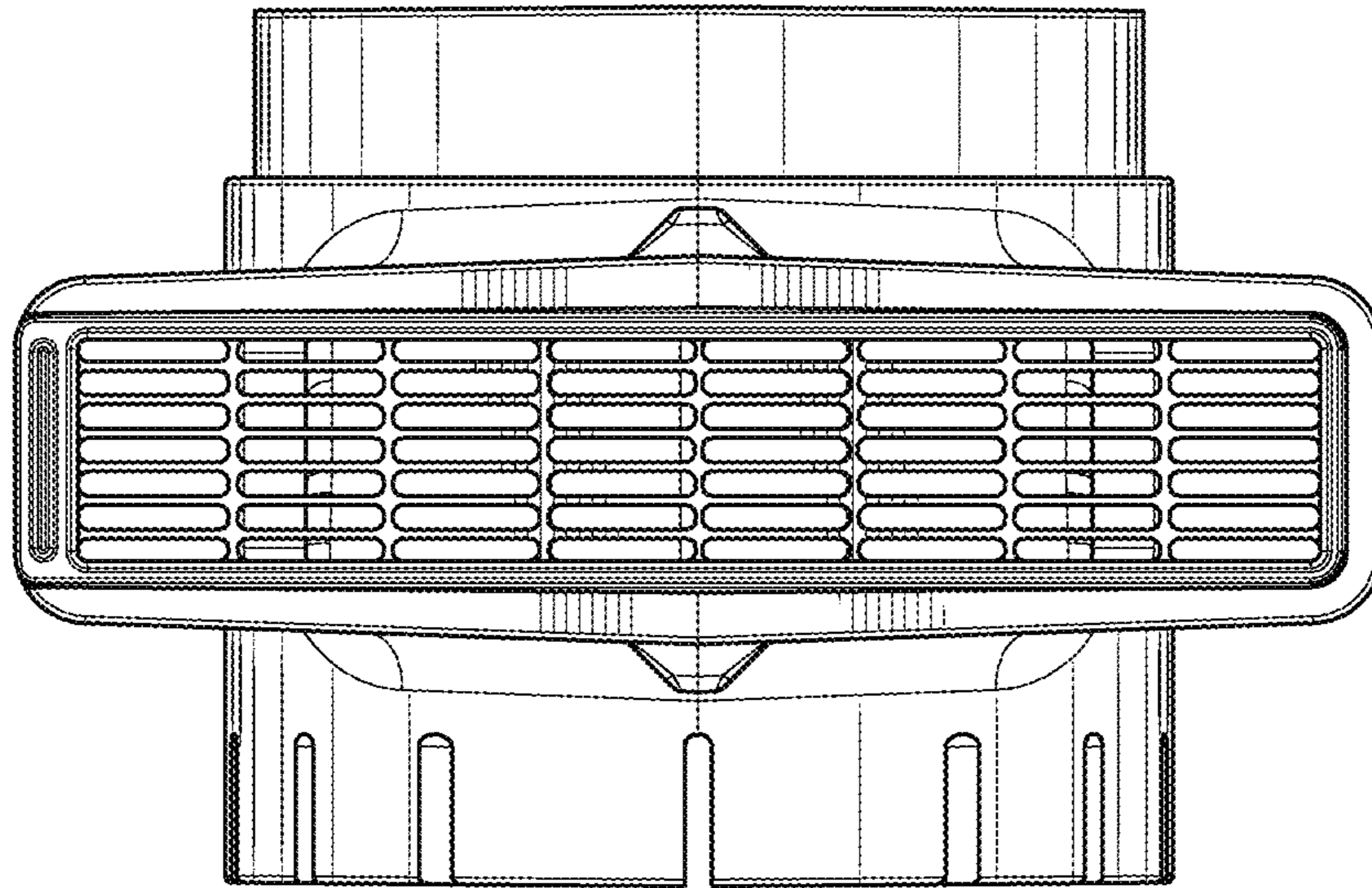


FIG. 7

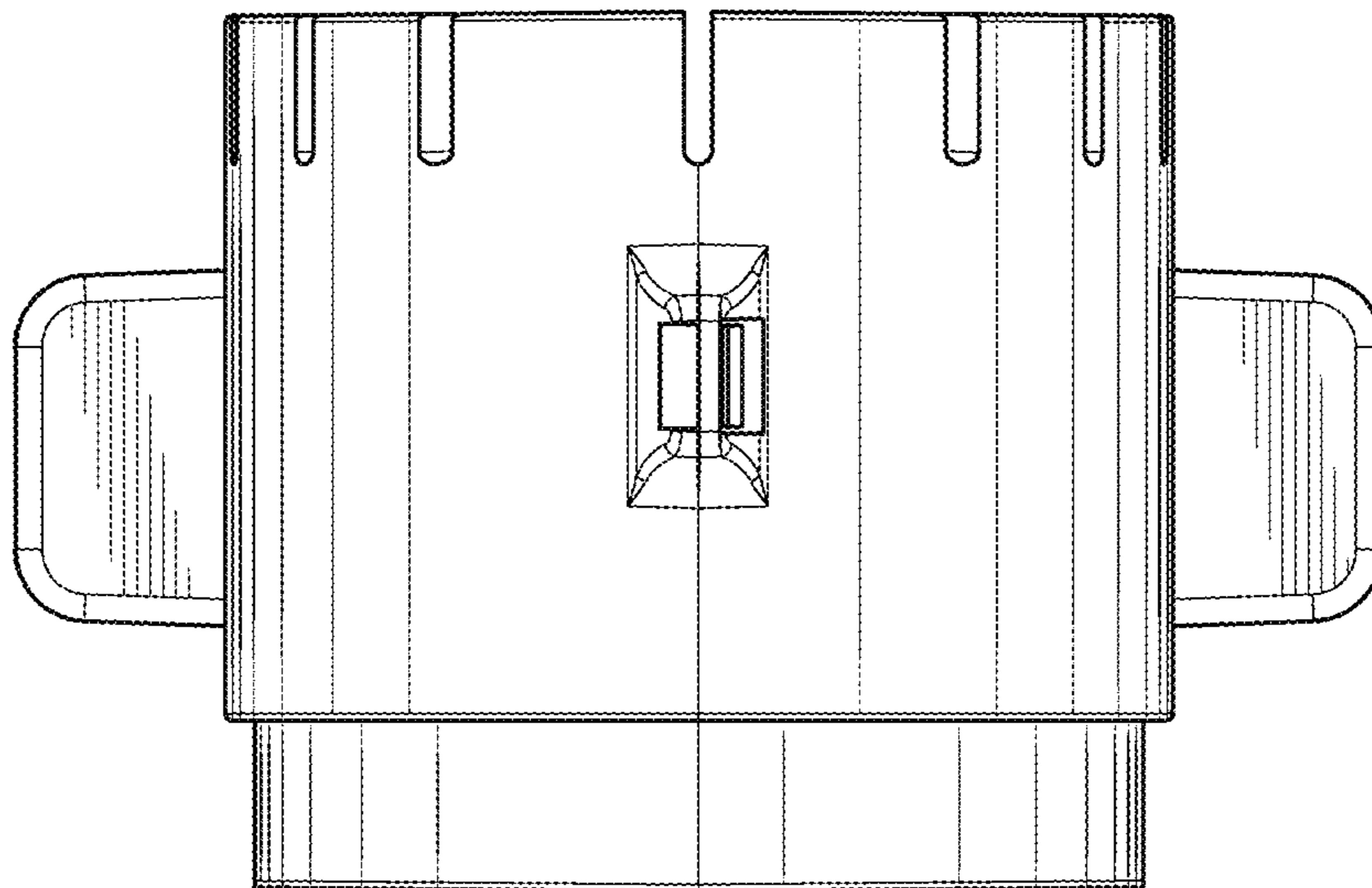


FIG. 8

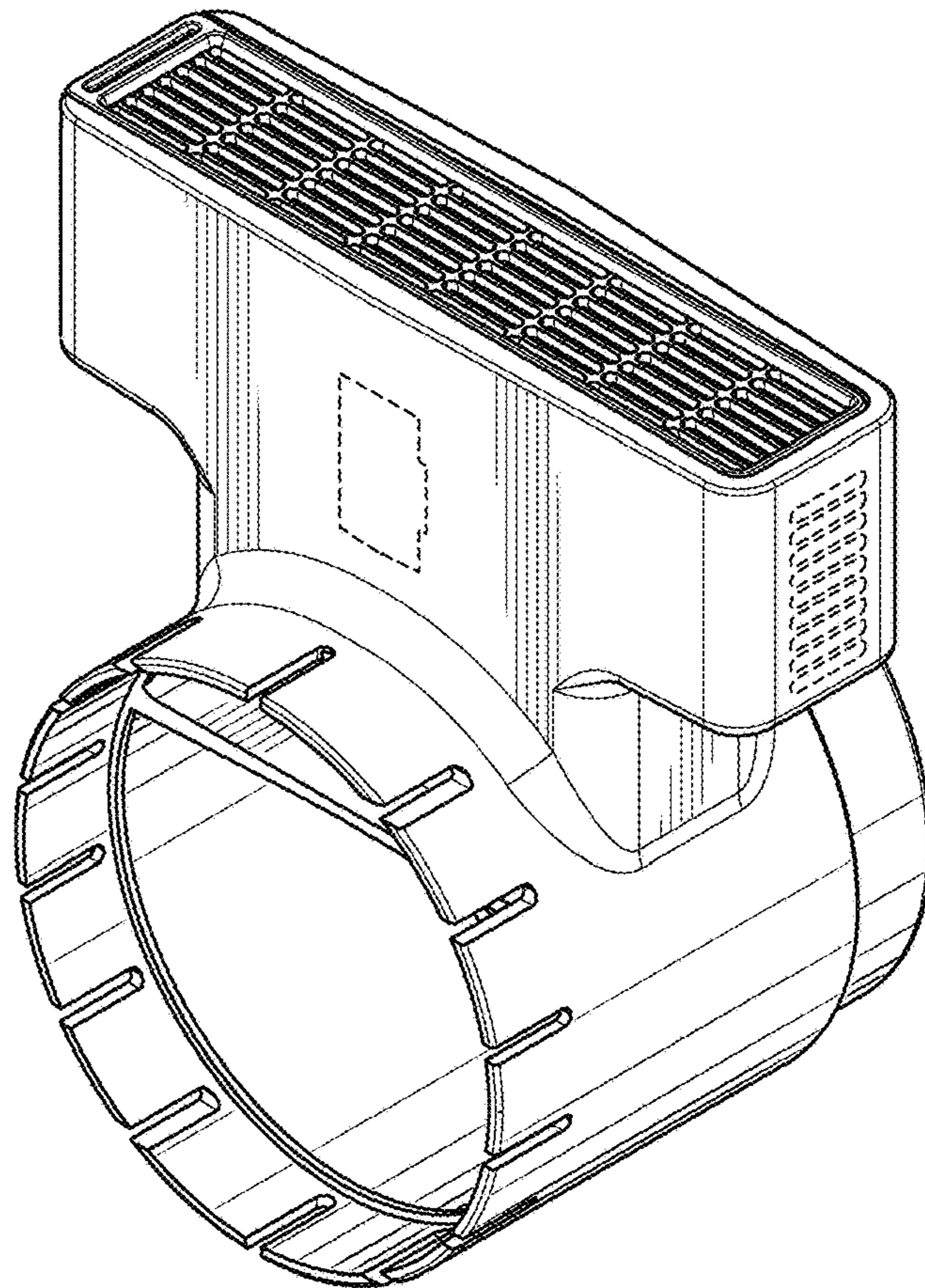


FIG. 9

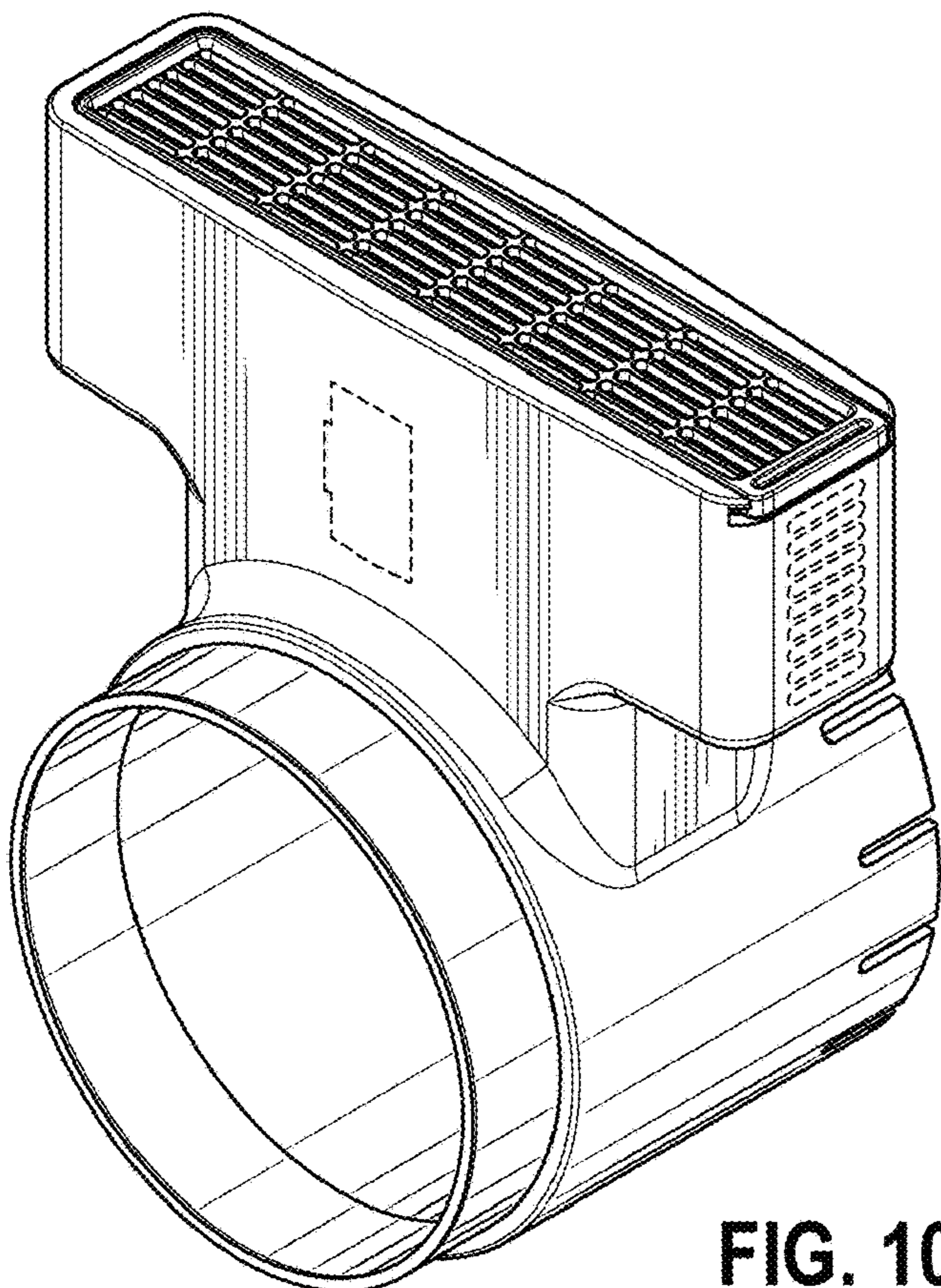


FIG. 10

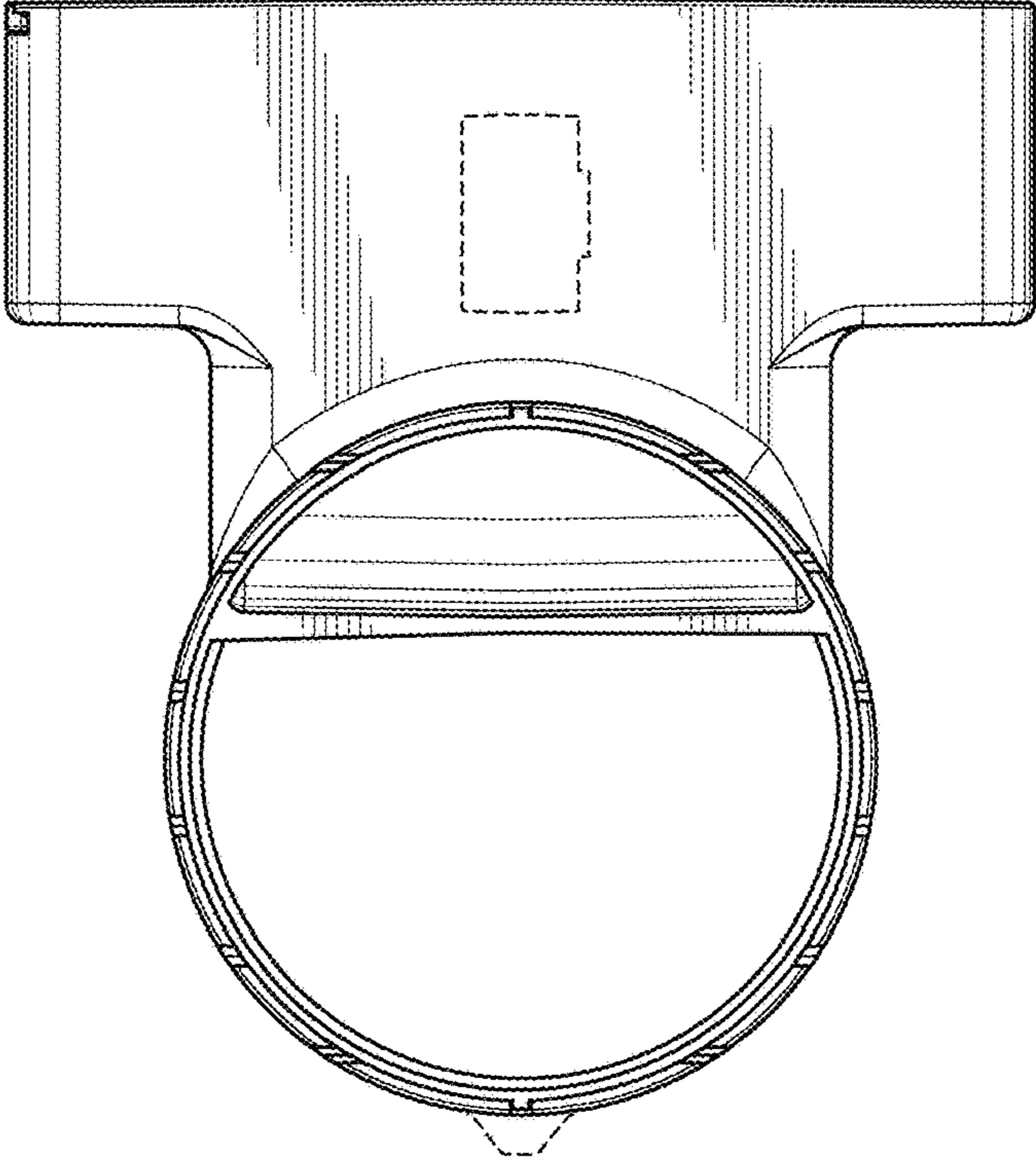


FIG. 11

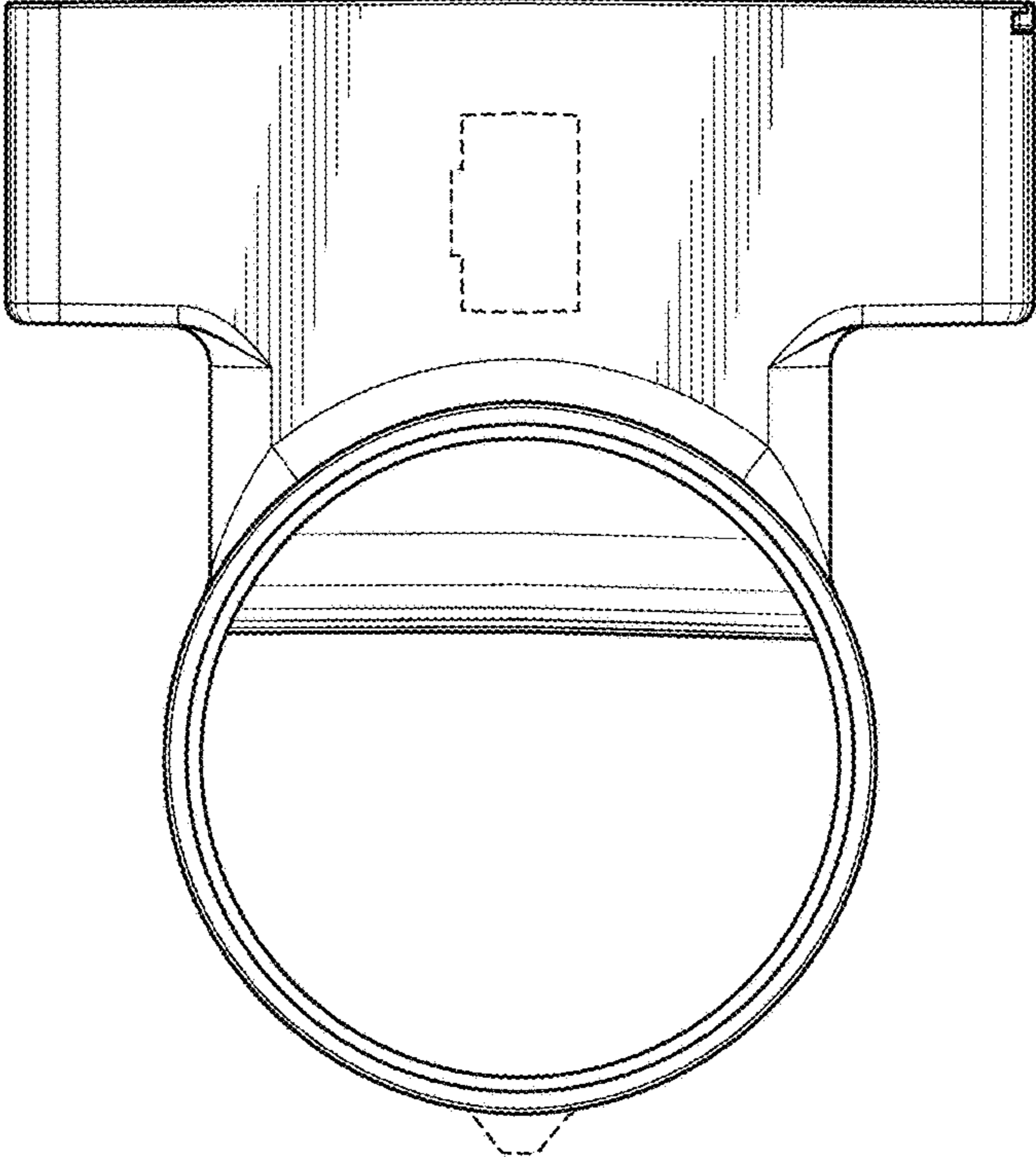
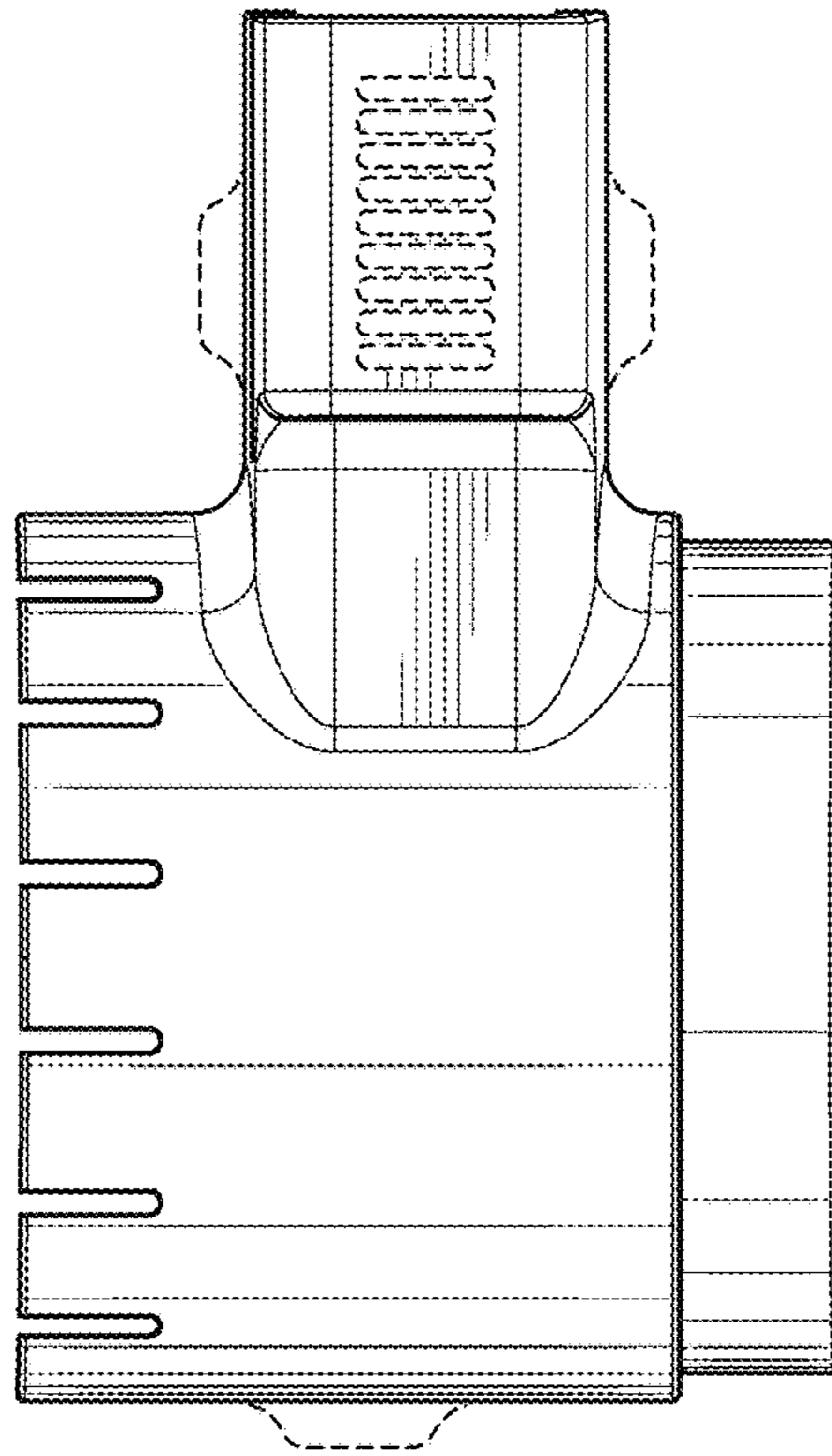
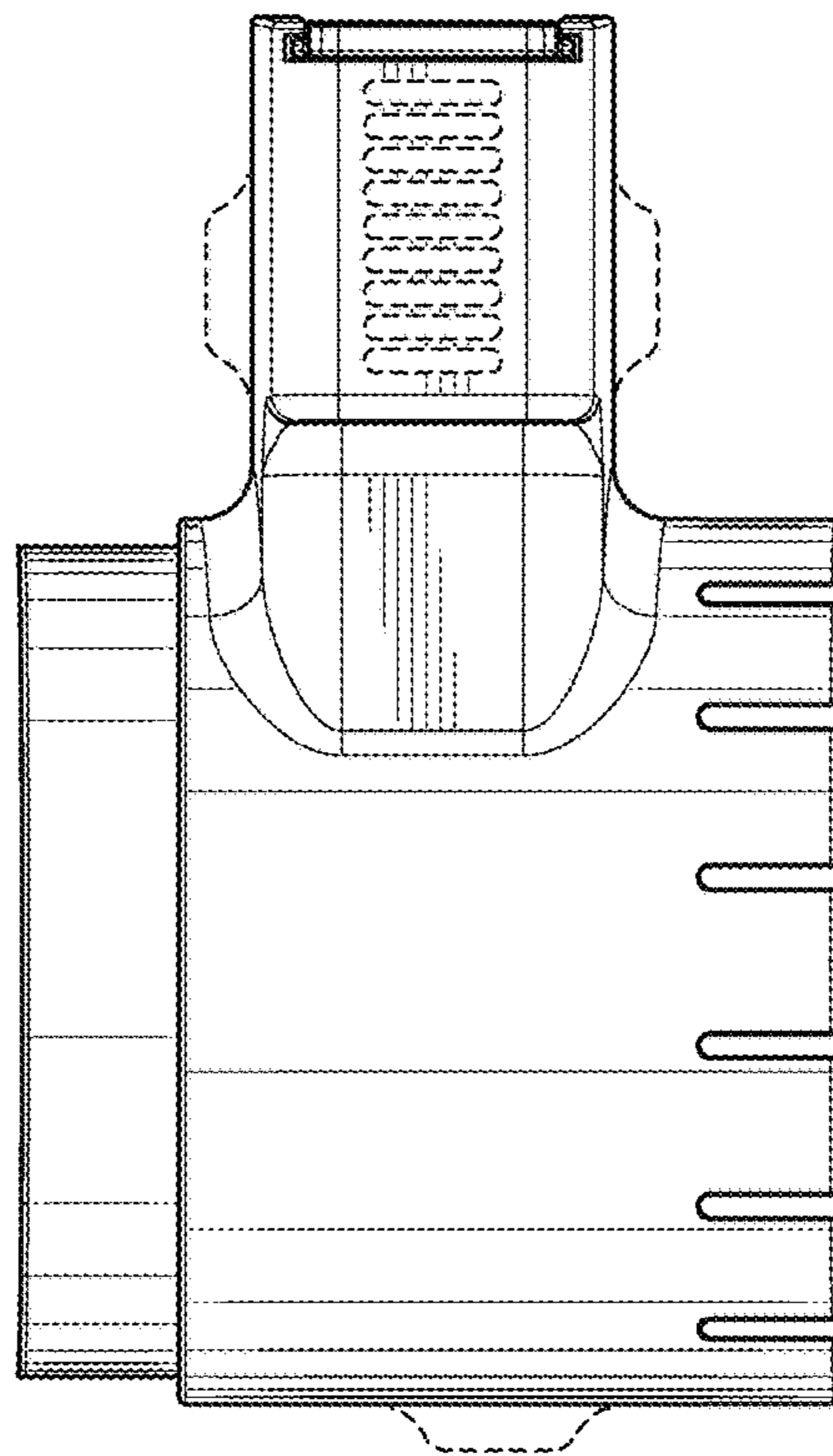


FIG. 12





**FIG. 13**



**FIG. 14**

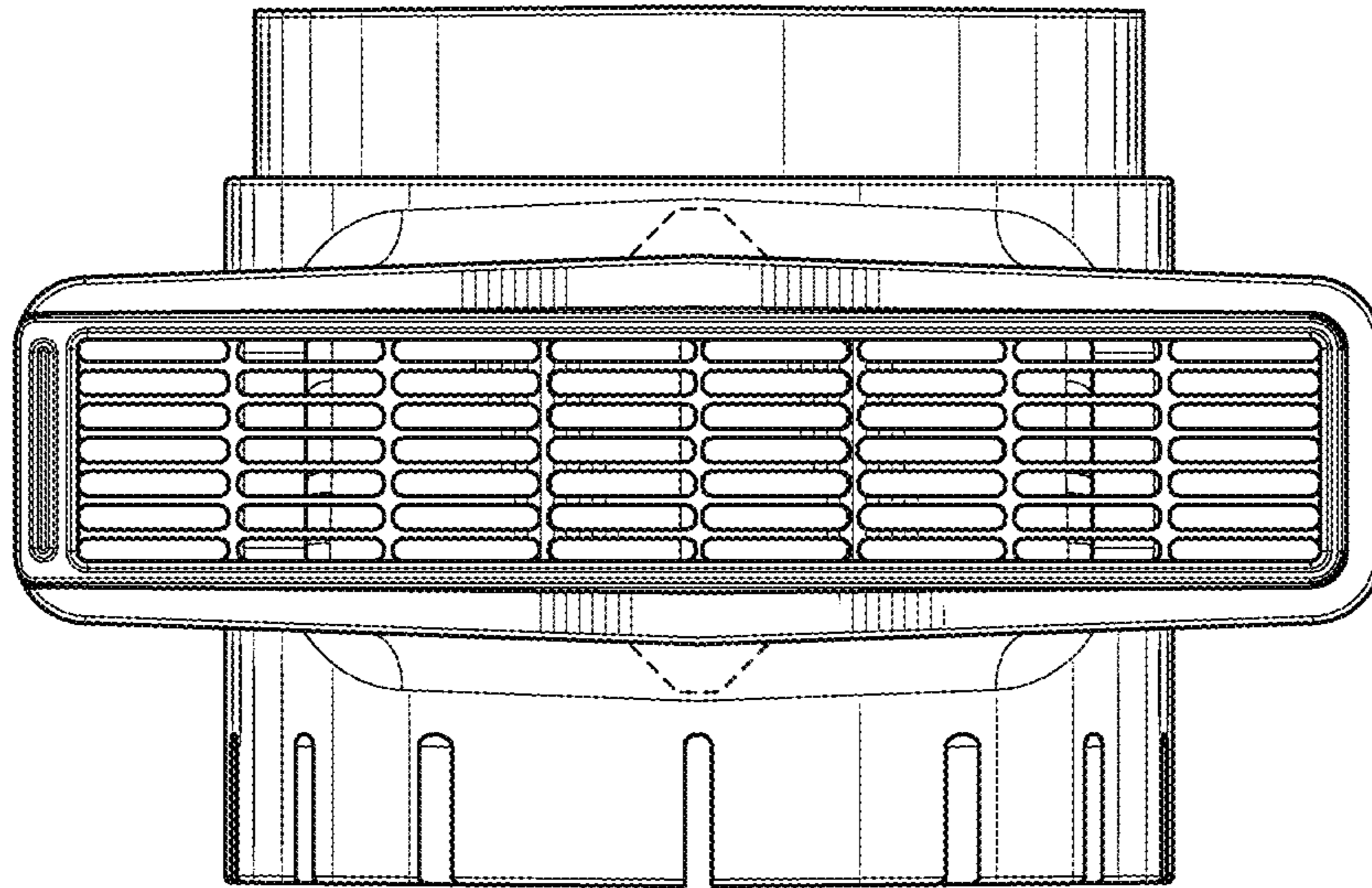


FIG. 15

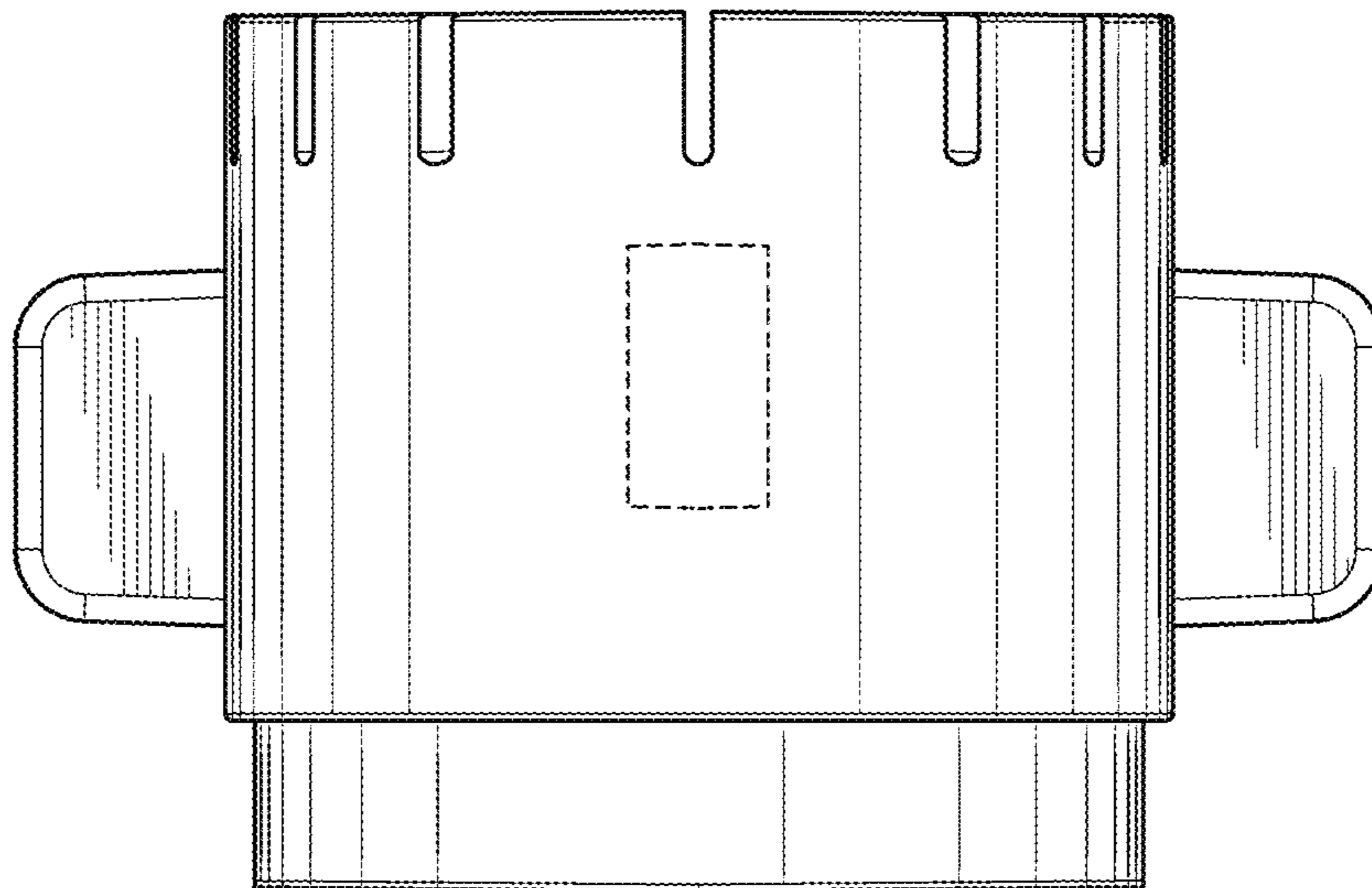


FIG. 16