



US00D919076S

(12) **United States Design Patent**
Choi et al.

(10) **Patent No.:** **US D919,076 S**

(45) **Date of Patent:** **** May 11, 2021**

(54) **AIR VENT CAP**

(71) Applicant: **Doosan Infracore Co., Ltd.**, Incheon (KR)

(72) Inventors: **Seula Choi**, Incheon (KR); **Minki Kim**, Incheon (KR); **Yoojeung Lim**, Incheon (KR); **Sunwook Kwack**, Incheon (KR)

(73) Assignee: **DOOSAN INFRACORE CO., LTD.**, Incheon (KR)

(**) Term: **15 Years**

(21) Appl. No.: **29/693,667**

(22) Filed: **Jun. 4, 2019**

(30) **Foreign Application Priority Data**

Dec. 11, 2018 (KR) 30-2018-0058327

(51) **LOC (13) Cl.** **23-04**

(52) **U.S. Cl.**
USPC **D23/390; D12/401**

(58) **Field of Classification Search**
USPC D23/390, 260, 387, 393, 373, 324, 370, D23/371; D12/93-106, 400, 401, 403, D12/406, 412, 413, 414.1
CPC F16K 17/006; B60H 1/3421
See application file for complete search history.

(56) **References Cited**

U.S. PATENT DOCUMENTS

3,495,606 A * 2/1970 Phillips F16K 17/006
137/75
D370,723 S * 6/1996 Nishizawa D23/387

D427,303 S * 6/2000 Brown D23/390
D444,872 S * 7/2001 Webb D23/393
D452,305 S * 12/2001 Webb D23/393
D466,605 S * 12/2002 Ziegler D23/393
D508,122 S * 8/2005 Murphy D23/387
D535,732 S * 1/2007 Klopp, III D12/195
D549,815 S * 8/2007 Murphy D23/390
D608,432 S * 1/2010 Aruga D23/358
D635,239 S * 3/2011 Liebson D23/393
D869,376 S * 12/2019 King D12/401
2006/0052046 A1 * 3/2006 Krause B60H 1/3421
454/155

* cited by examiner

Primary Examiner — Susan E Krakower

Assistant Examiner — Jerry Shiuan-Hua Hsu

(74) *Attorney, Agent, or Firm* — K&L Gates LLP

(57) **CLAIM**

The ornamental design for an air vent cap, as shown and described.

DESCRIPTION

FIG. 1 is a perspective view of an air vent cap showing the new design:

FIG. 2 is a front view thereof;

FIG. 3 is a rear view thereof;

FIG. 4 is a left-side view thereof;

FIG. 5 is a right -side view thereof;

FIG. 6 is a top view thereof; and,

FIG. 7 is a bottom view thereof.

The broken lines illustrate portions of the air vent cap that form no part of the claimed design.

1 Claim, 7 Drawing Sheets

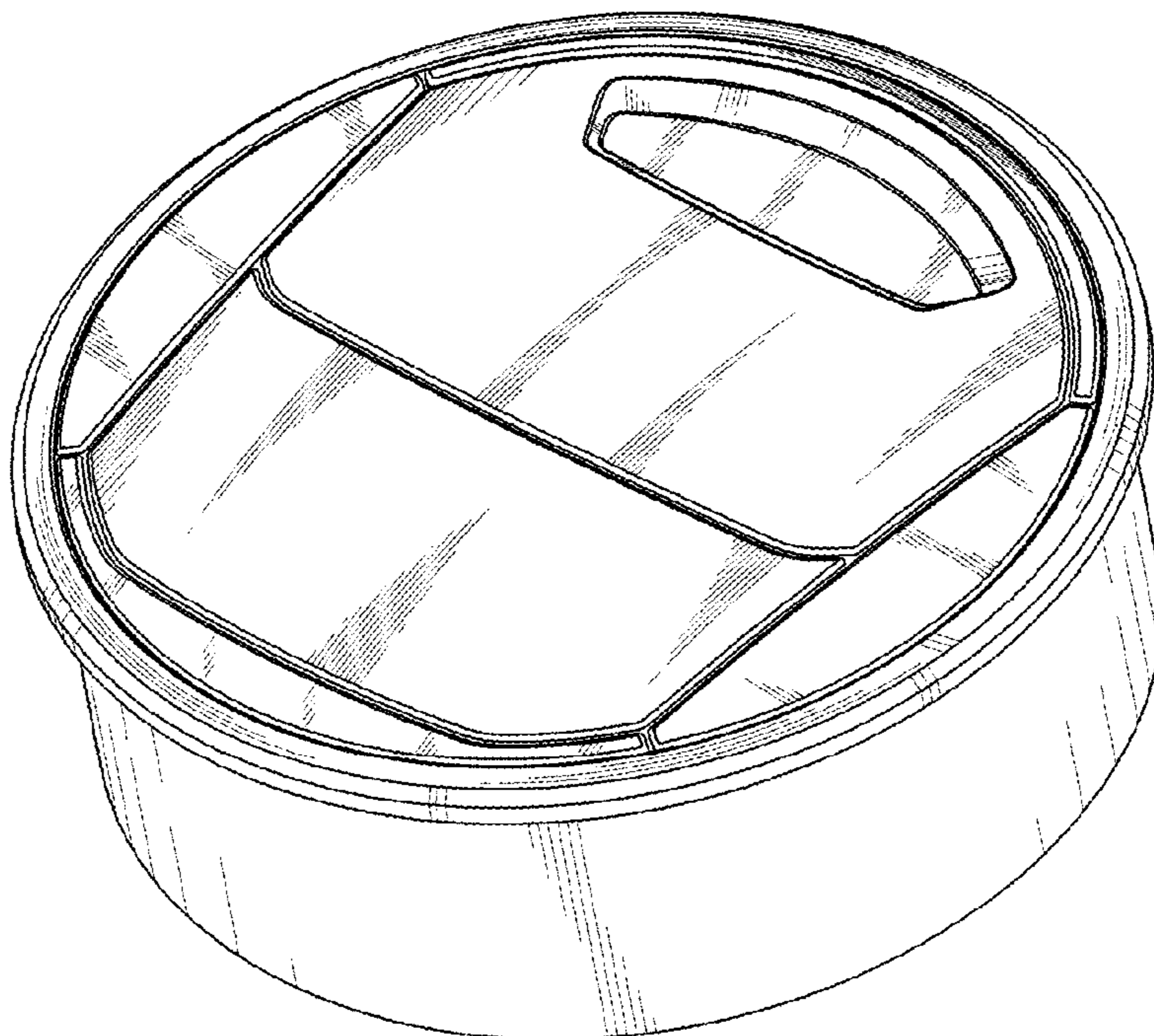


FIG. 1

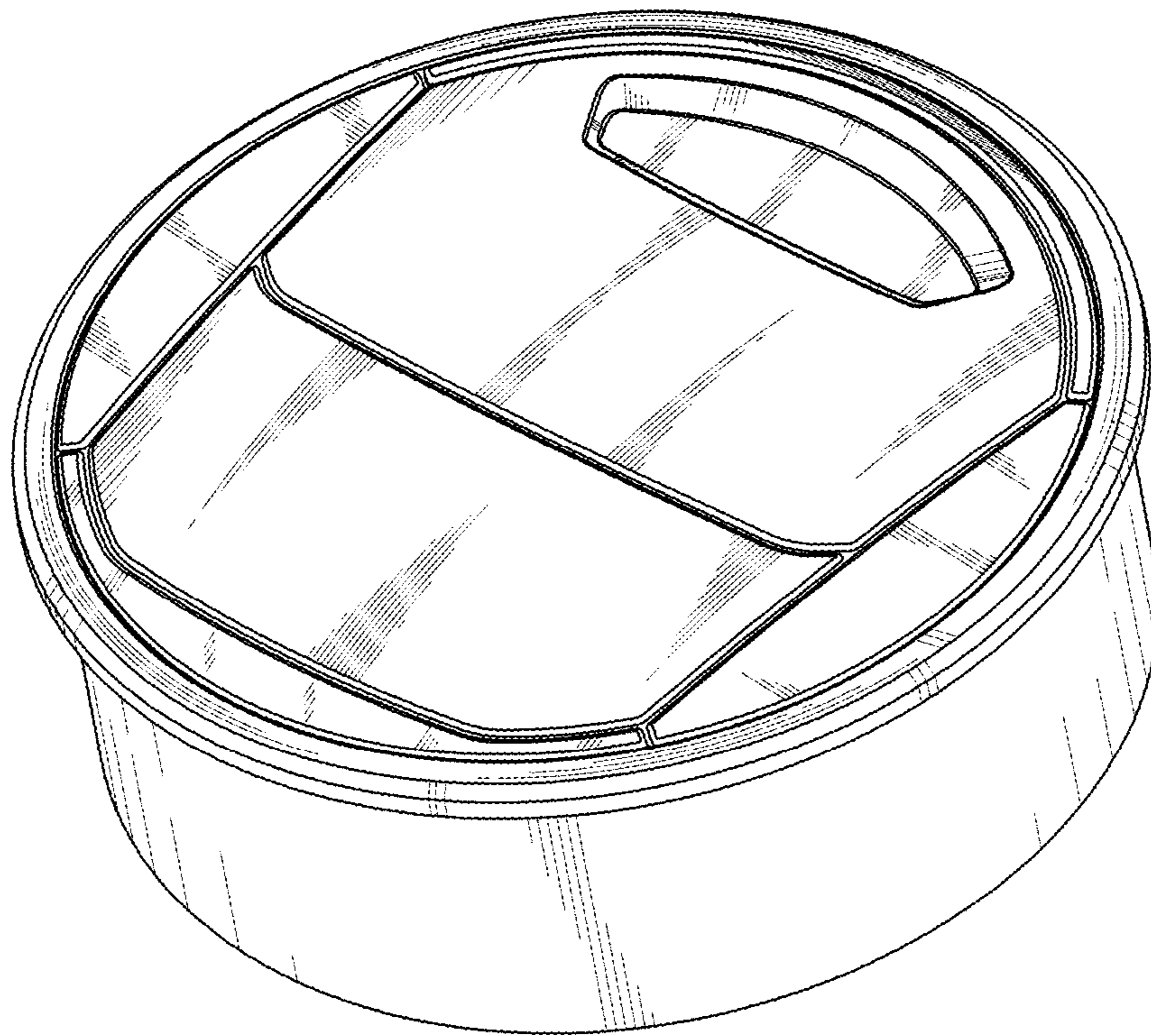


FIG. 2

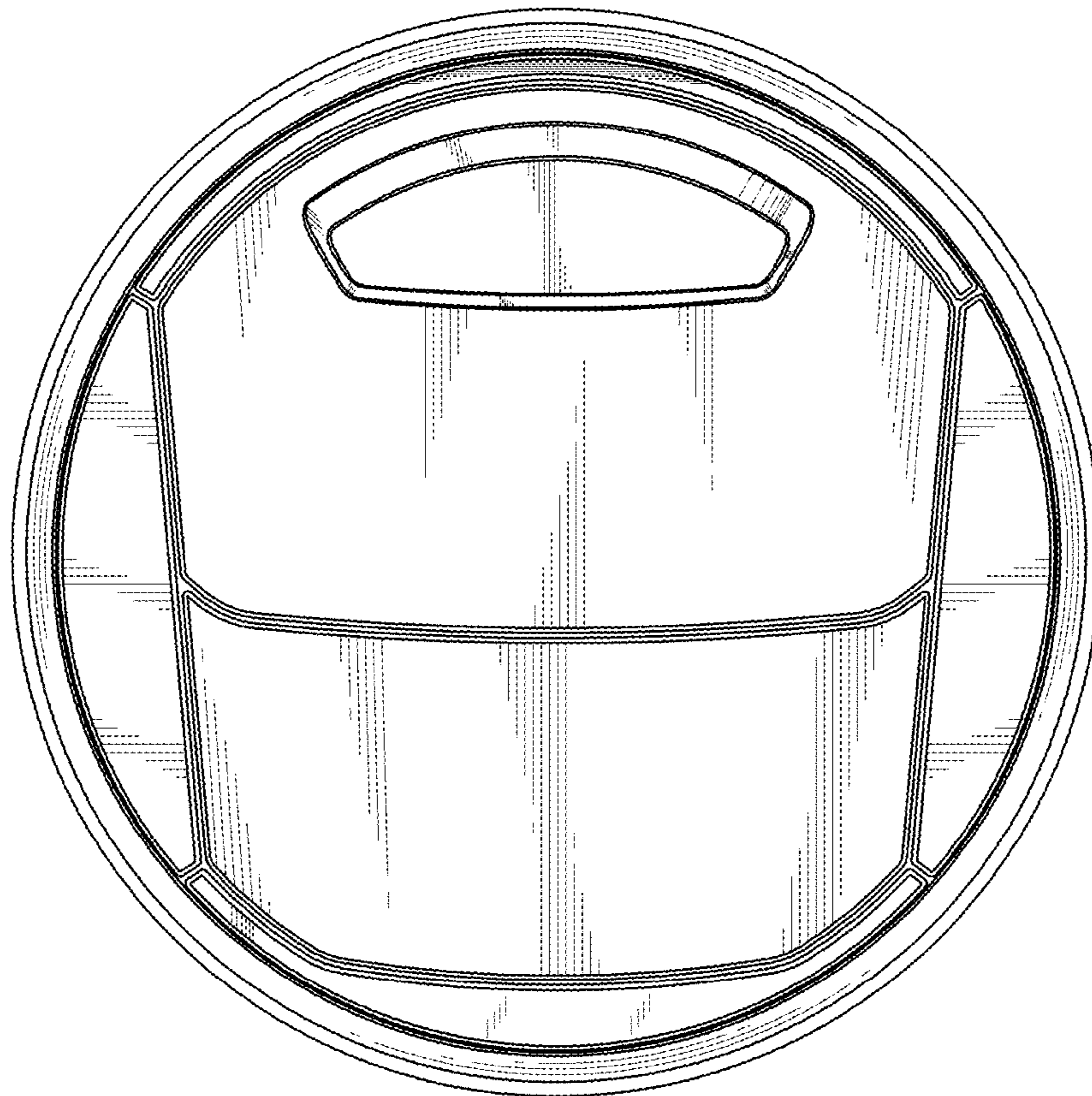


FIG. 3

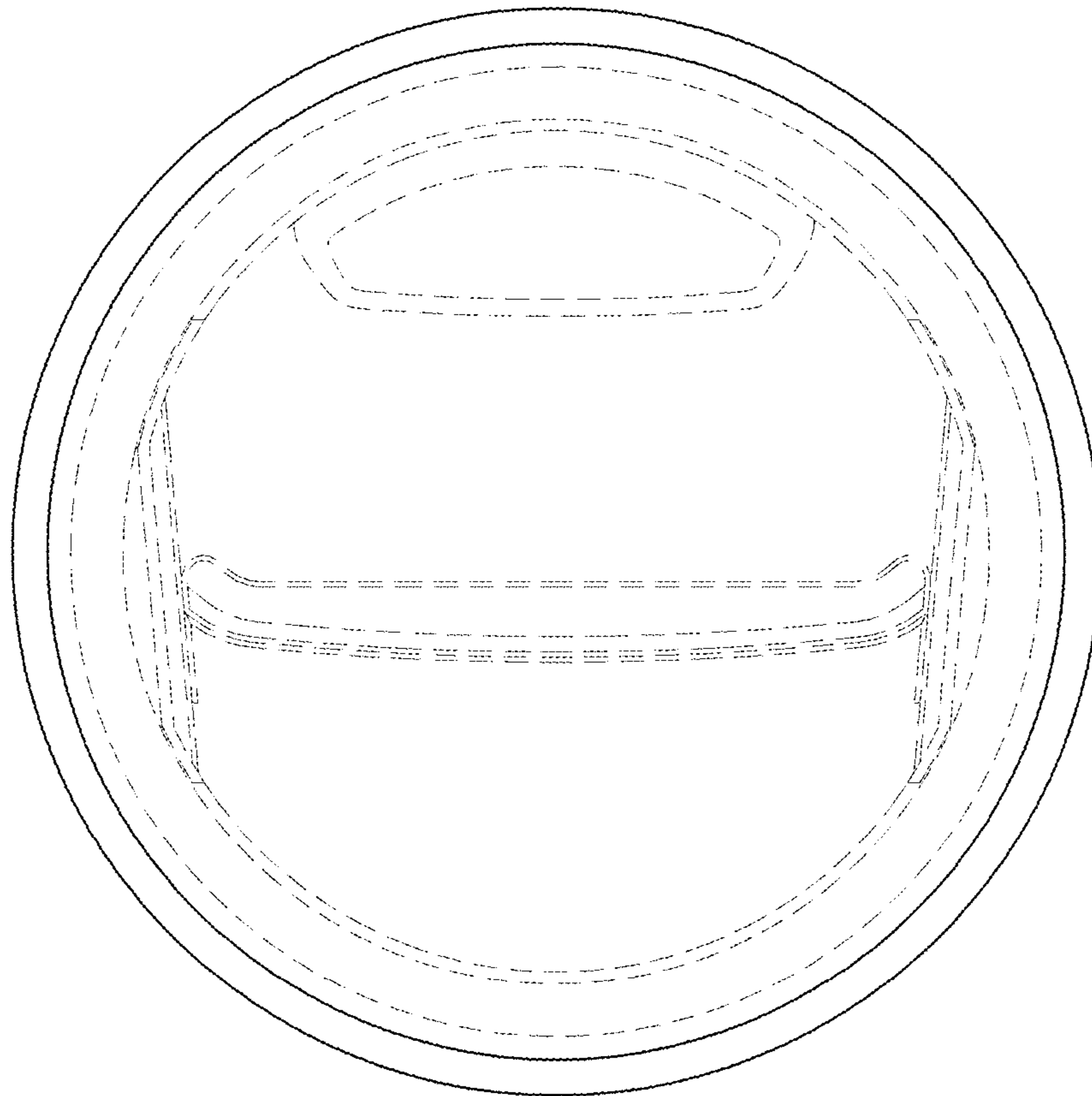


FIG. 4

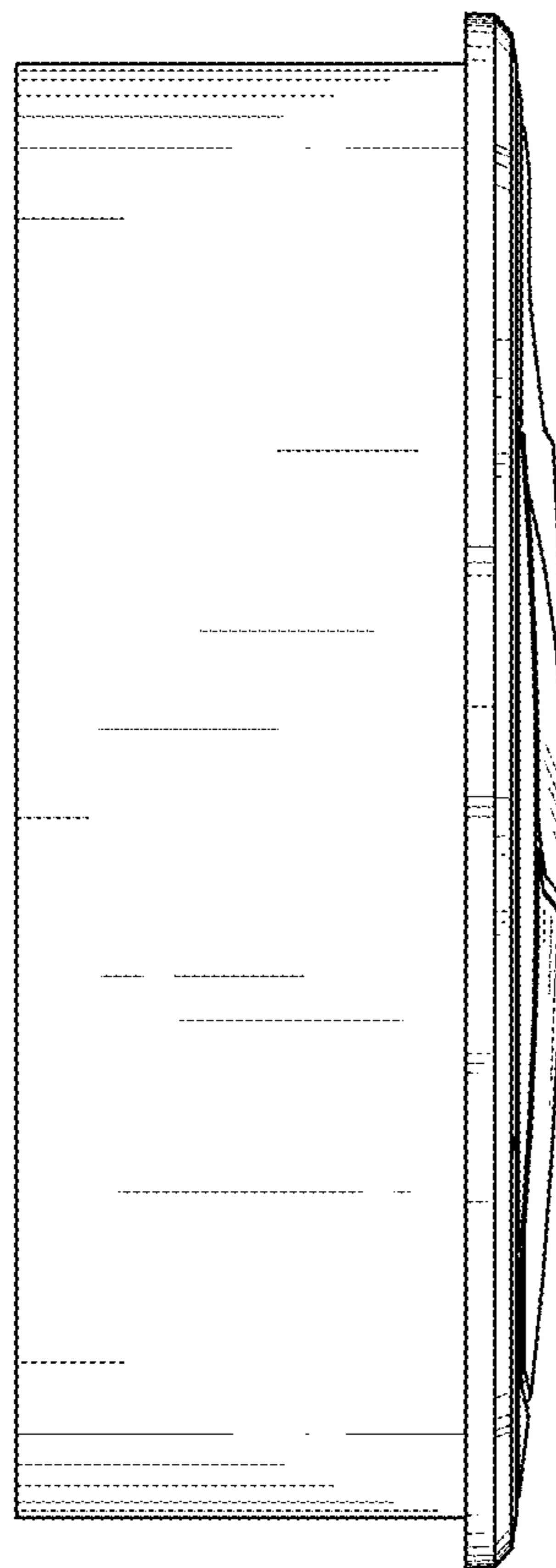


FIG. 5

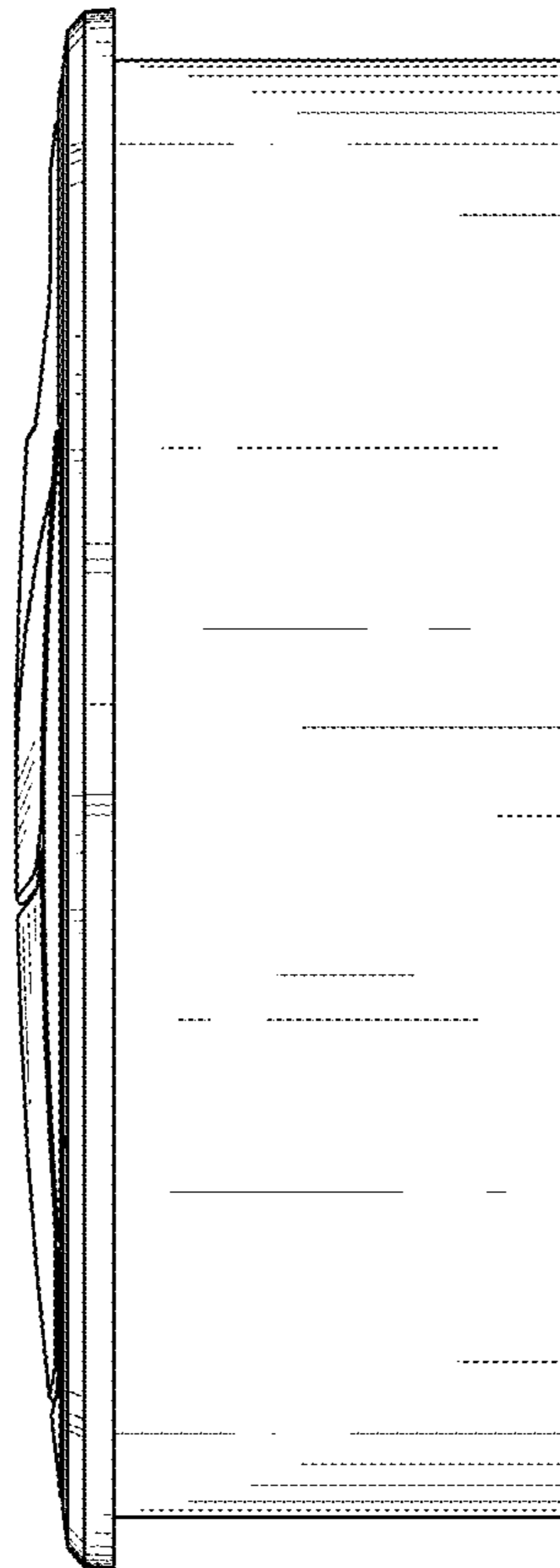


FIG. 6

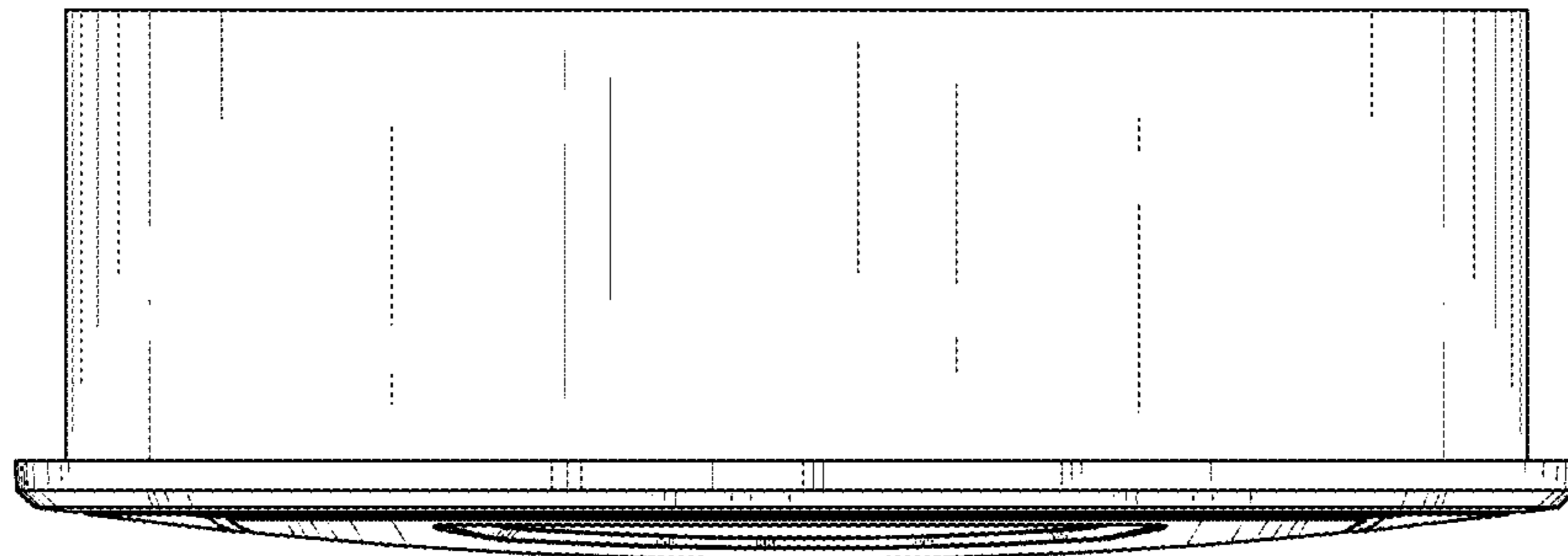


FIG. 7

