



US00D919075S

(12) **United States Design Patent**
Lin

(10) **Patent No.:** **US D919,075 S**

(45) **Date of Patent:** **** May 11, 2021**

- (54) **FAN**
- (71) Applicant: **Guangzhou tianlanghang illumination technology co., ltd**, Guangzhou (CN)
- (72) Inventor: **Xiuyan Lin**, Puning (CN)
- (**) Term: **15 Years**
- (21) Appl. No.: **29/751,474**
- (22) Filed: **Sep. 22, 2020**
- (51) **LOC (13) Cl.** **23-04**
- (52) **U.S. Cl.**
USPC **D23/381**
- (58) **Field of Classification Search**
USPC D23/332, 335-337, 342, 355, 370, 377,
D23/378, 381, 382, 383, 411
CPC F04D 25/088; F04D 29/388; F04D 29/34;
F04D 25/08; F21V 33/0096
See application file for complete search history.

(56) **References Cited**

U.S. PATENT DOCUMENTS

D434,132 S	*	11/2000	Shapiro	D23/382
D546,437 S	*	7/2007	Chen	D23/382
D607,097 S	*	12/2009	Yen	D23/382
D610,671 S	*	2/2010	Zhuang	D23/382
D636,863 S	*	4/2011	Isoda	D23/370

D674,888 S	*	1/2013	Kawase	D23/370
D686,308 S		7/2013	Qin et al.		
D686,309 S	*	7/2013	Kokawa	D23/382
D689,183 S		9/2013	Chan		
D775,719 S		1/2017	Smith et al.		
D845,465 S	*	4/2019	Cui	D23/382
D875,232 S	*	2/2020	Ediger	D23/370
D887,542 S	*	6/2020	Youngblutt	D23/382
D893,698 S	*	8/2020	Lin	D23/381

* cited by examiner

Primary Examiner — Janice Hallmark

(57) **CLAIM**

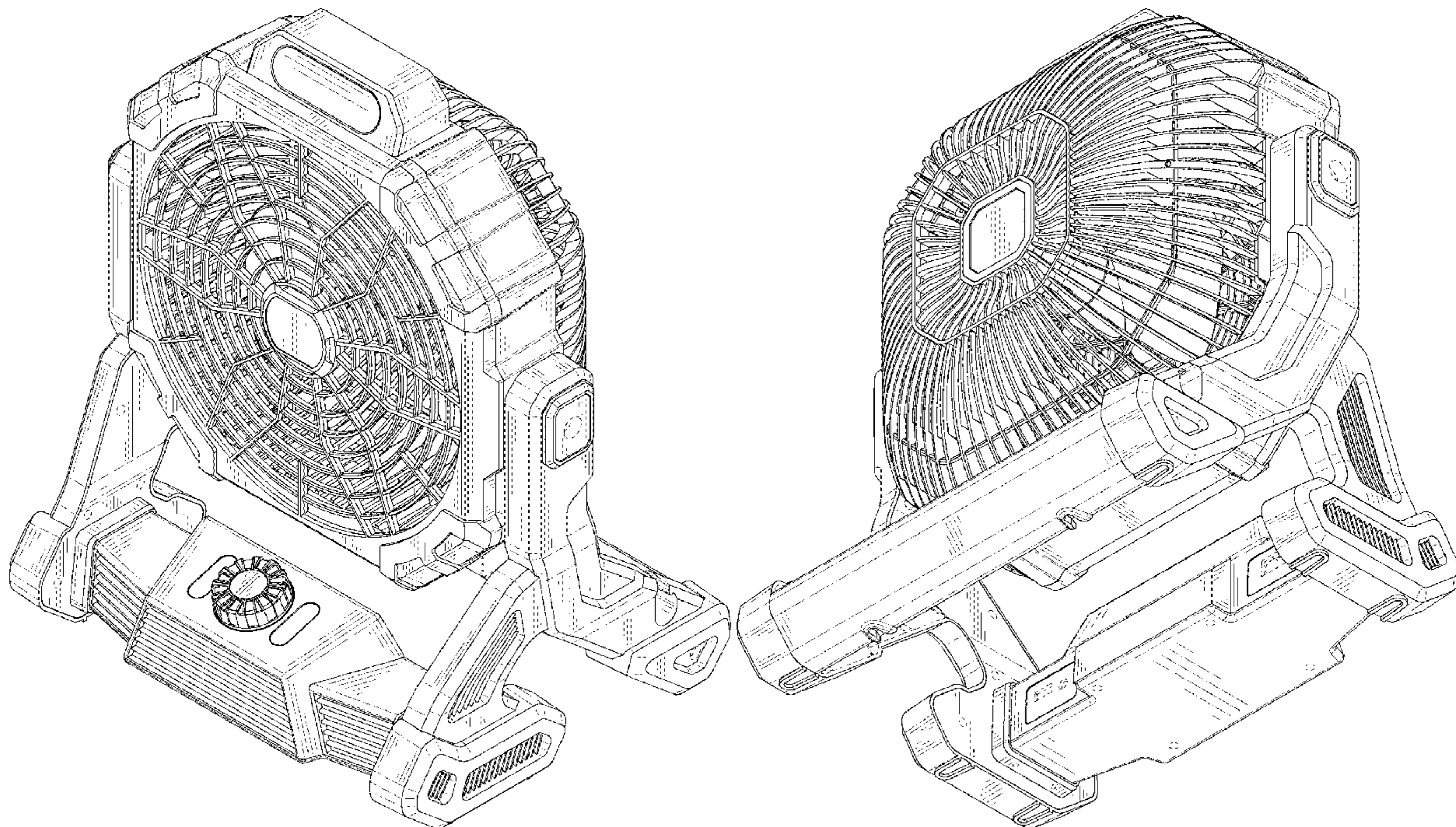
The ornamental design for a fan, as shown and described.

DESCRIPTION

FIG. 1 is a first perspective view of a fan showing my new design;
 FIG. 2 is a second perspective view thereof;
 FIG. 3 is a front view thereof;
 FIG. 4 is a back view thereof;
 FIG. 5 is a left side view thereof;
 FIG. 6 is a right side view thereof;
 FIG. 7 is a top view thereof; and,
 FIG. 8 is a bottom view thereof.

The broken lines shown in the drawings depict portions of the fan in which the design is embodied that form no part of the claimed design.

1 Claim, 8 Drawing Sheets



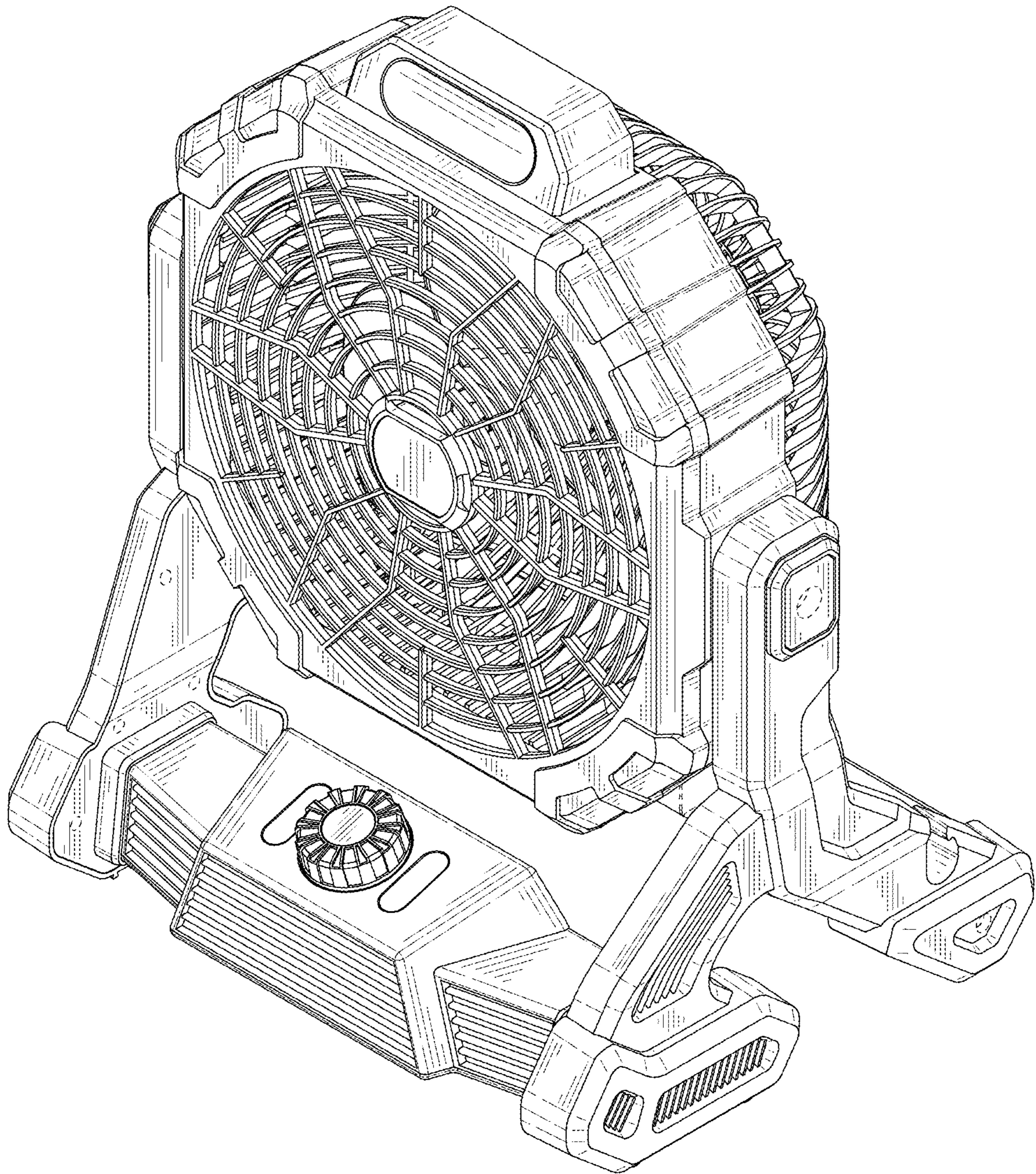


FIG. 1

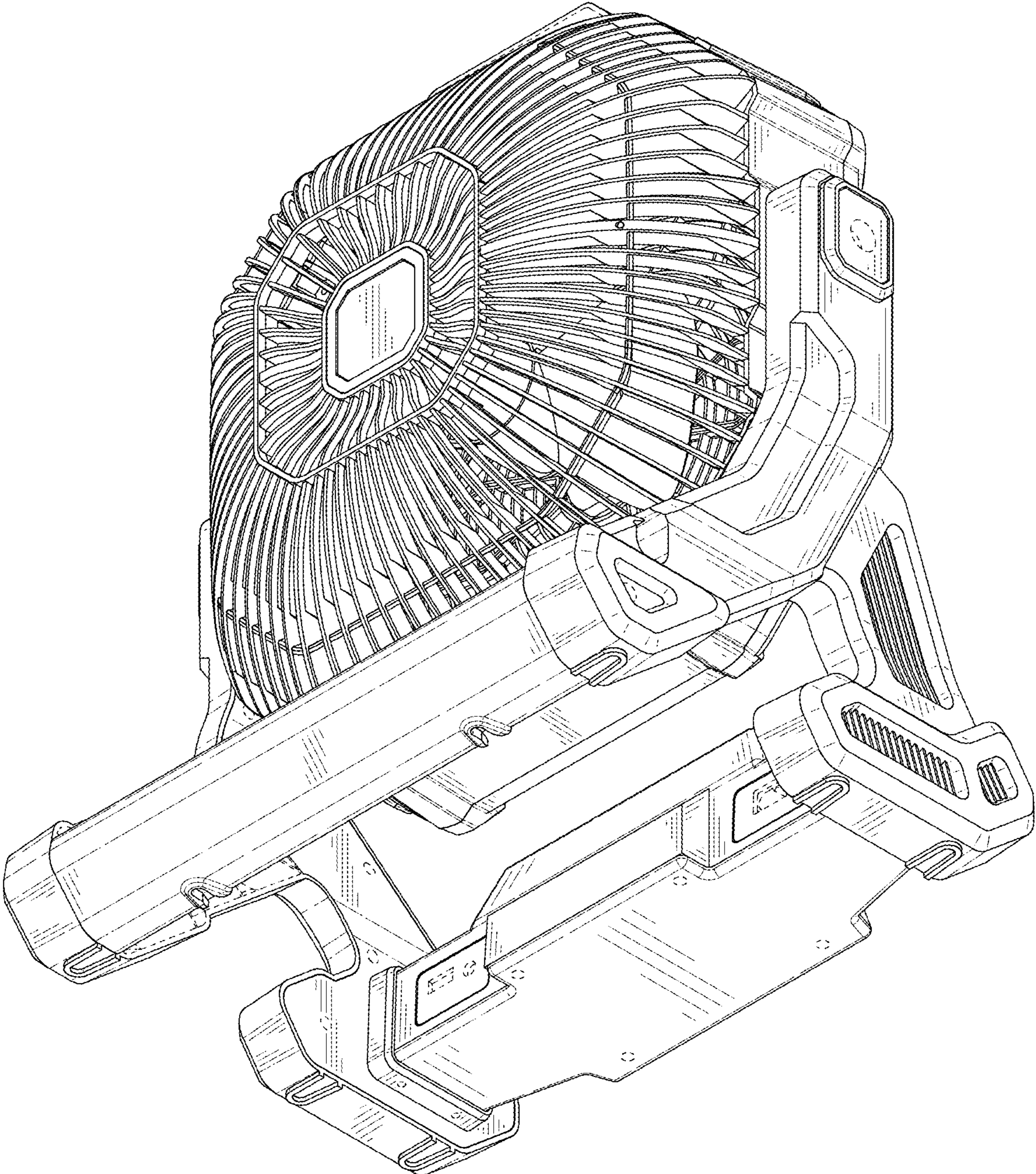


FIG. 2

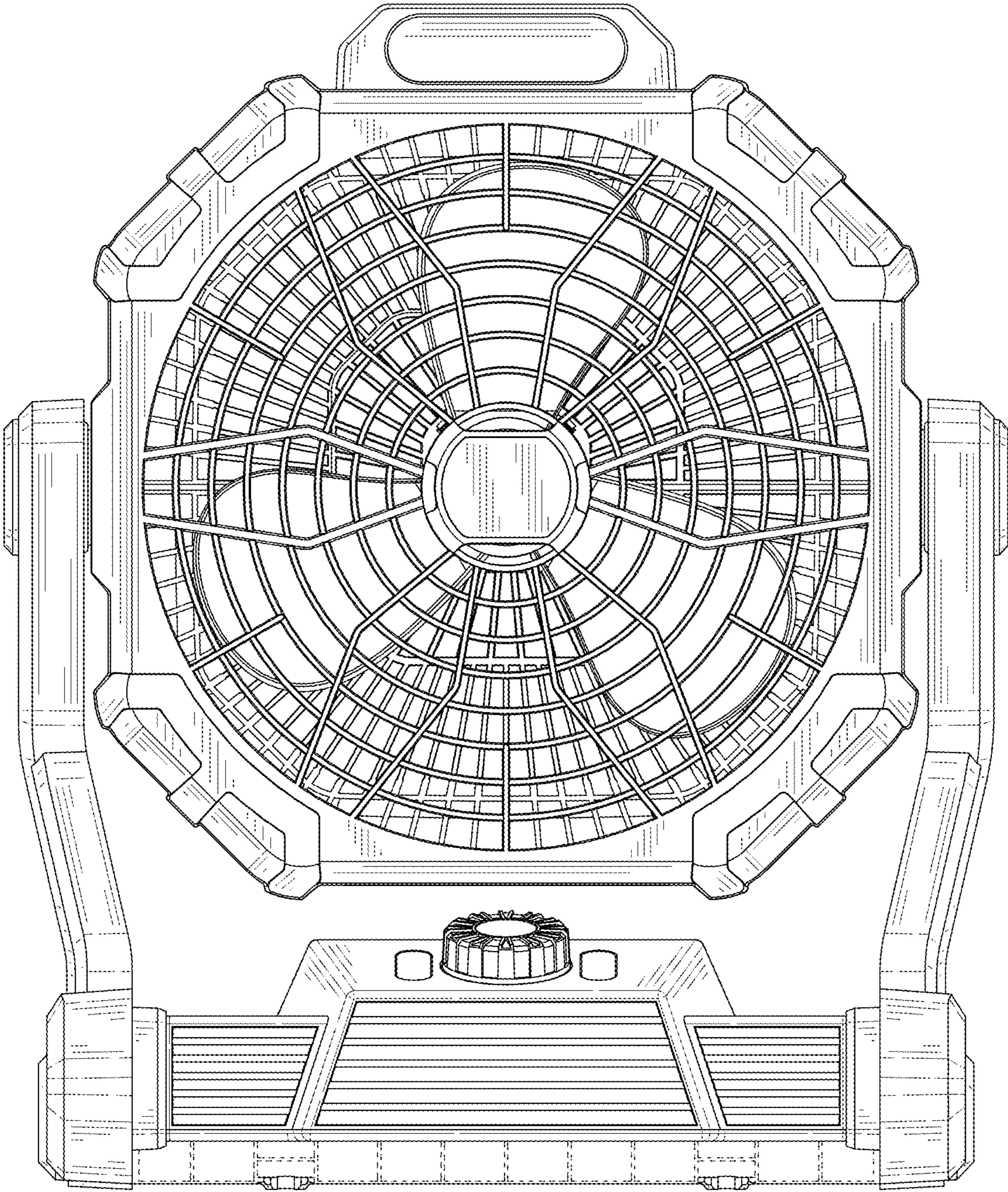


FIG. 3

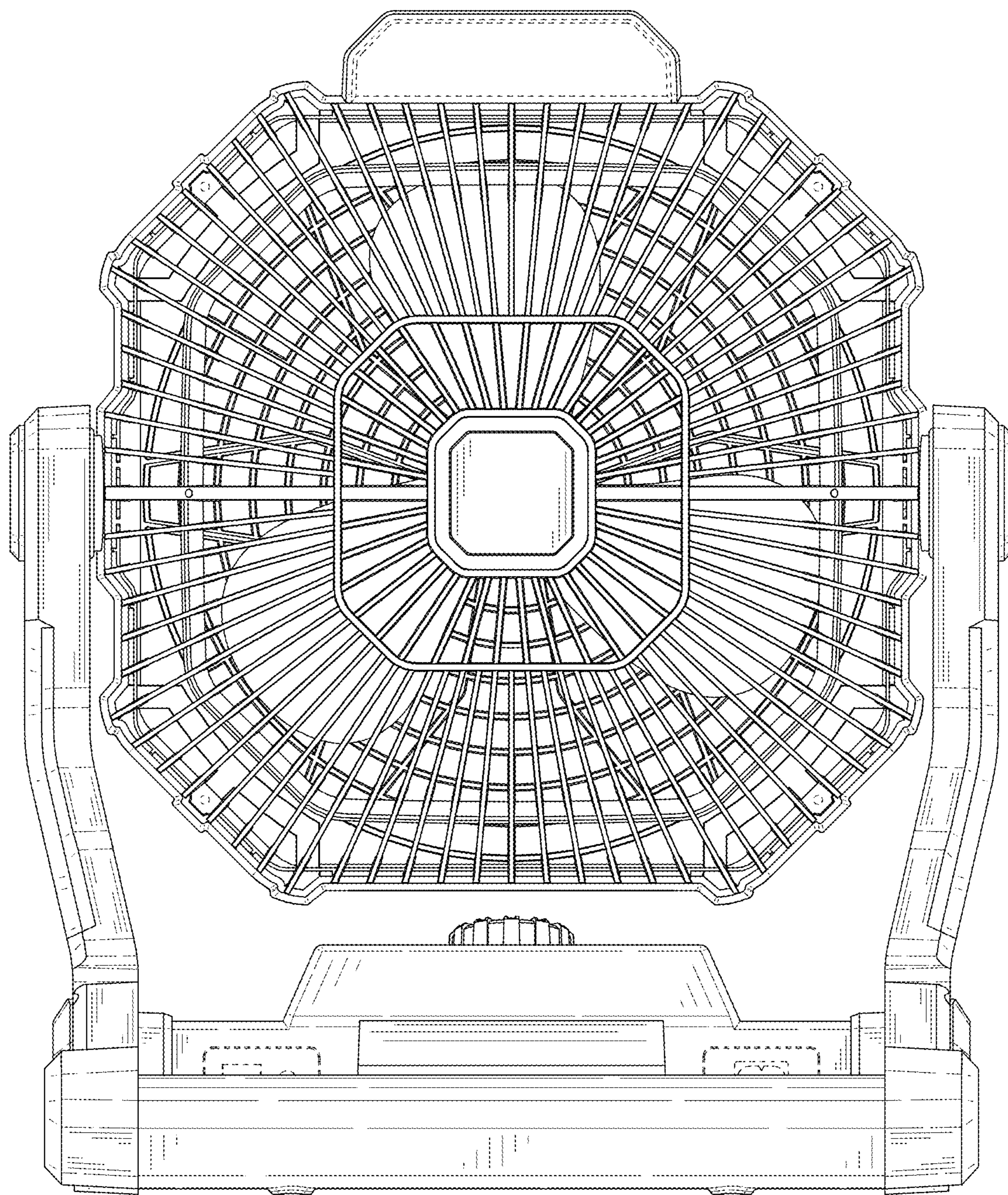


FIG. 4

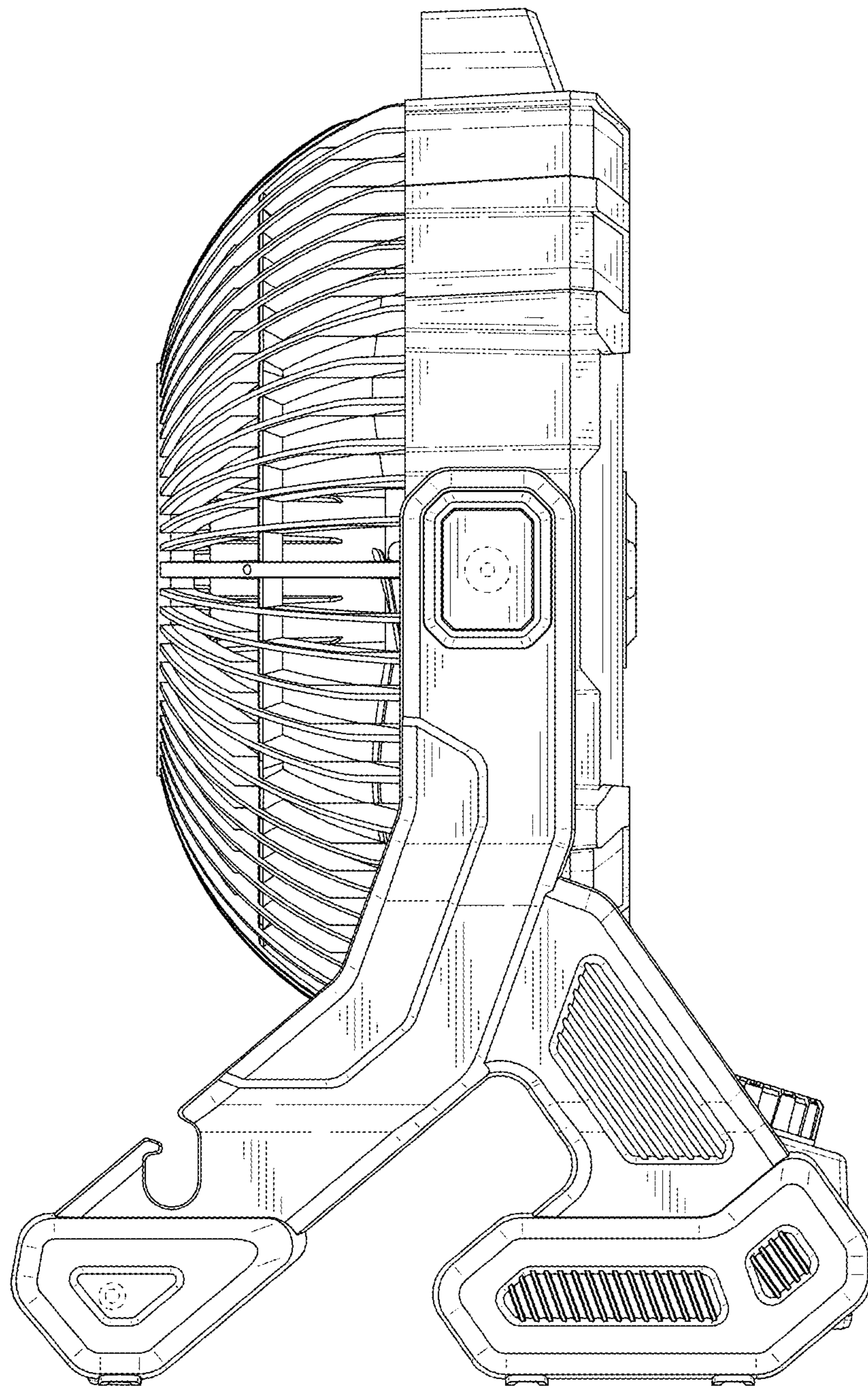


FIG. 5

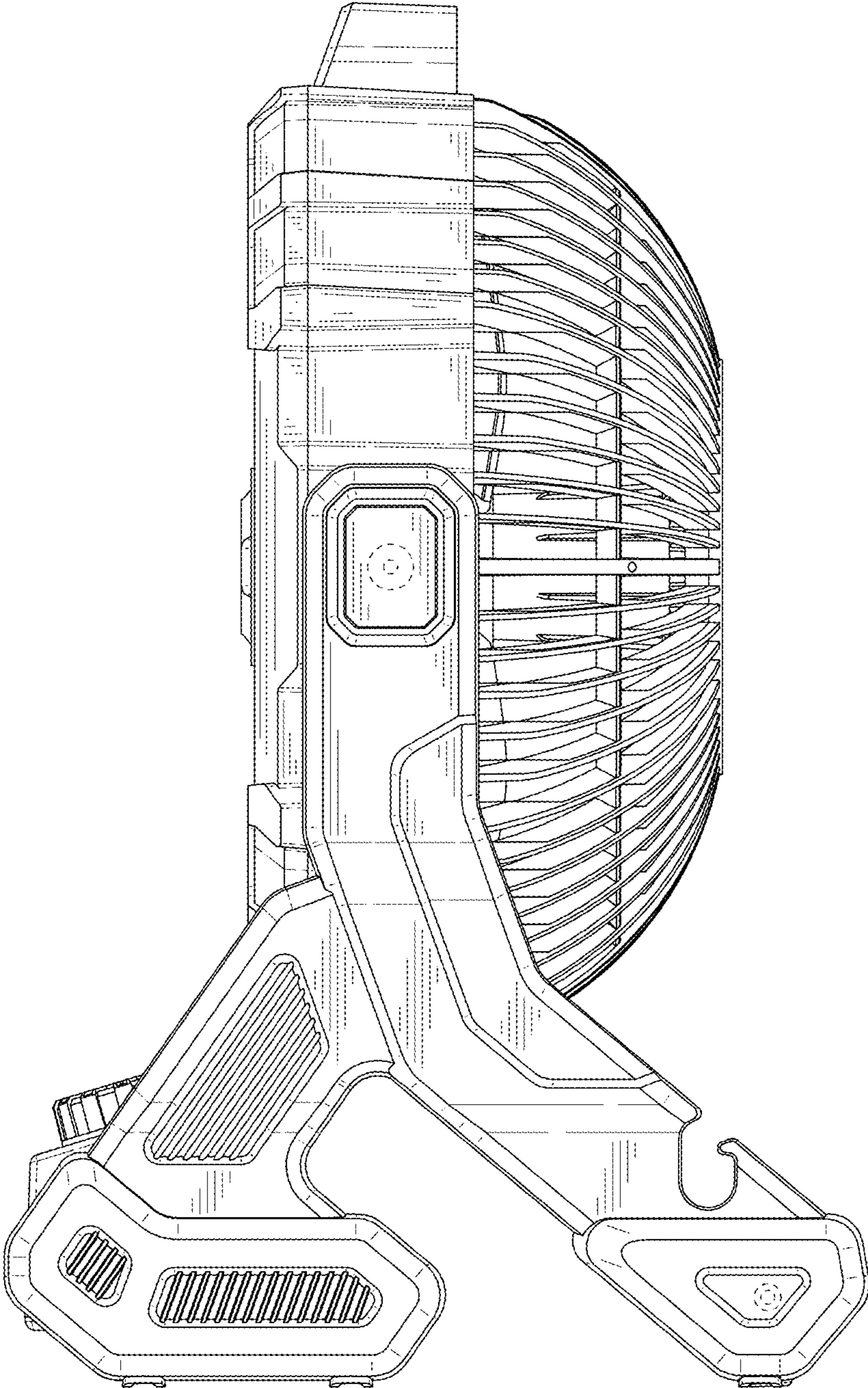


FIG. 6

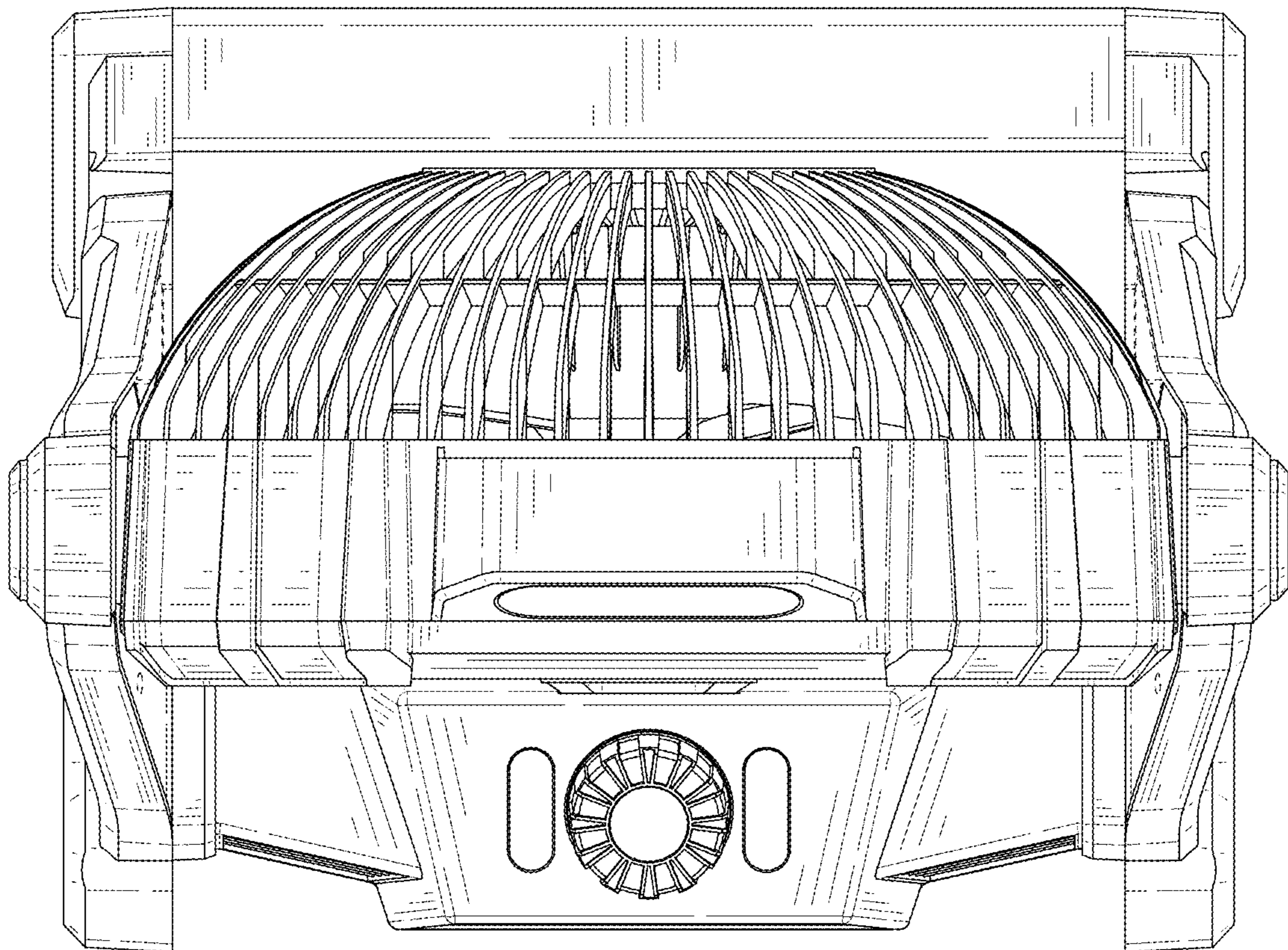


FIG. 7

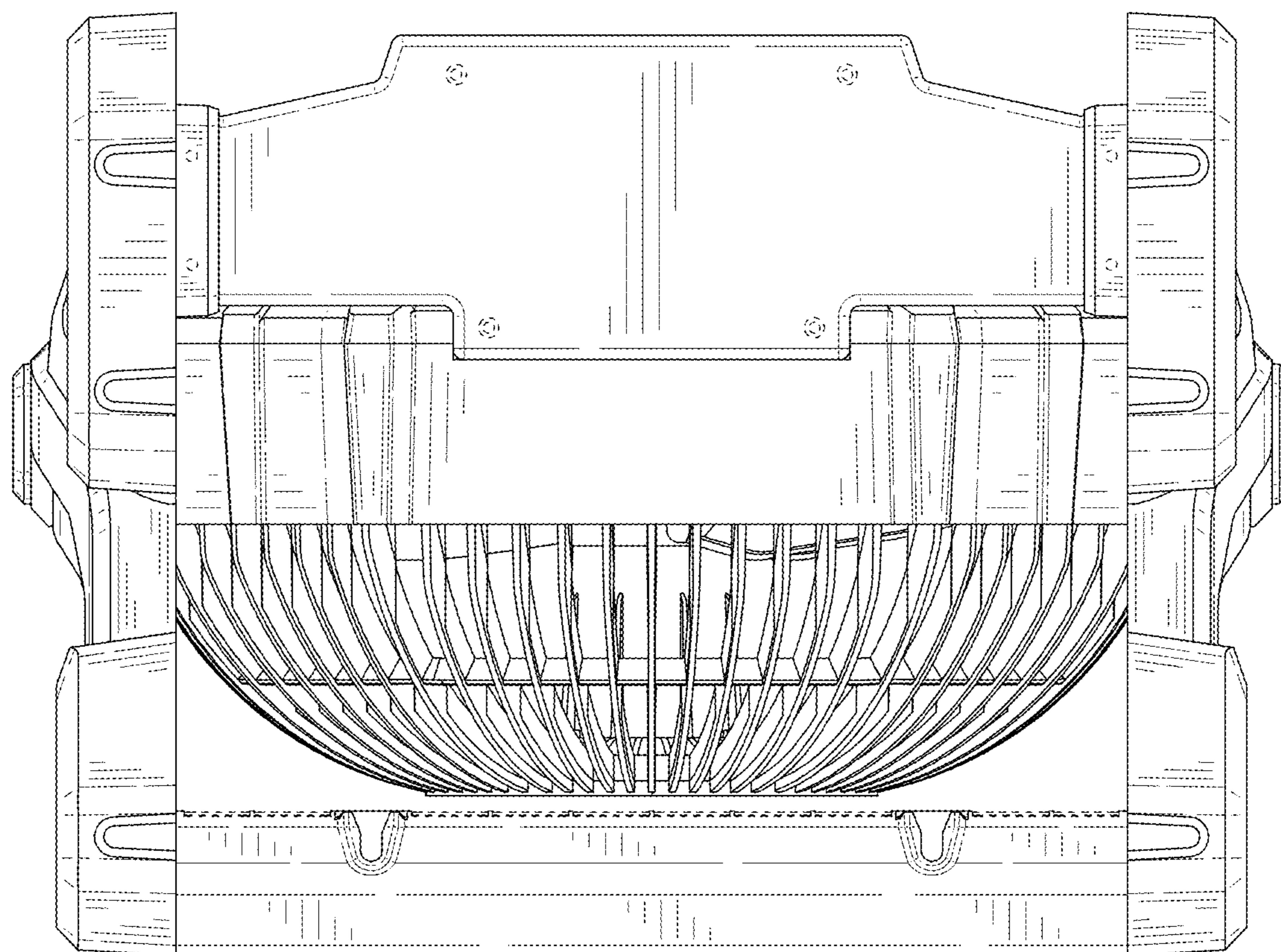


FIG. 8