



US00D919073S

(12) **United States Design Patent**
Lee

(10) **Patent No.:** **US D919,073 S**
(45) **Date of Patent:** **** May 11, 2021**

(54) **AROMA DIFFUSER**

(71) Applicant: **Bloomy Lotus Ltd**, Hong Kong (HK)

(72) Inventor: **Leander Lee**, Hong Kong (HK)

(73) Assignee: **Bloomy Lotus Ltd**, Hong Kong (HK)

(**) Term: **15 Years**

(21) Appl. No.: **29/715,489**

(22) Filed: **Dec. 2, 2019**

(30) **Foreign Application Priority Data**

Jun. 5, 2019 (HK) 1913827.0M001

(51) **LOC (13) Cl.** **28-99**

(52) **U.S. Cl.**
USPC **D23/366**

(58) **Field of Classification Search**
USPC D23/209, 355, 356, 358, 359, 360, 364,
D23/365, 366, 367; D99/5
CPC . A61L 9/03; A61L 9/012; A61L 9/015; A61L
9/037; F41J 1/01
See application file for complete search history.

(56) **References Cited**

U.S. PATENT DOCUMENTS

D401,141 S *	11/1998	Carroll	D9/608
D691,253 S *	10/2013	Chen	D23/366
D705,075 S *	5/2014	Zwettler	D9/601
D722,805 S *	2/2015	Banos	D7/301
D726,975 S *	4/2015	Kim	D30/160
9,301,504 B2 *	4/2016	Wurth	A01K 15/026
D766,569 S *	9/2016	Lee	D3/211
D774,797 S *	12/2016	Li	D6/534
D777,513 S *	1/2017	Nguyen	D7/400
D800,886 S *	10/2017	Lin	D23/366
D802,061 S *	11/2017	Kuwahara	D21/656

D849,534 S *	5/2019	Westrick	D9/441
D858,200 S *	9/2019	Wang	D7/516
D870,070 S *	12/2019	Koh	D14/207
D870,071 S *	12/2019	Koh	D14/207
D872,247 S *	1/2020	Lee	D23/366
D893,008 S *	8/2020	Xu	D23/356

OTHER PUBLICATIONS

Bloomy Lotus Jungle Fun Diffuser Collection [Dec. 21, 2020] found online [Dec. 21, 2020] - <https://bloomylotus.com/junglefundiffusers/>.*

* cited by examiner

Primary Examiner — John A Voytek

(57) **CLAIM**

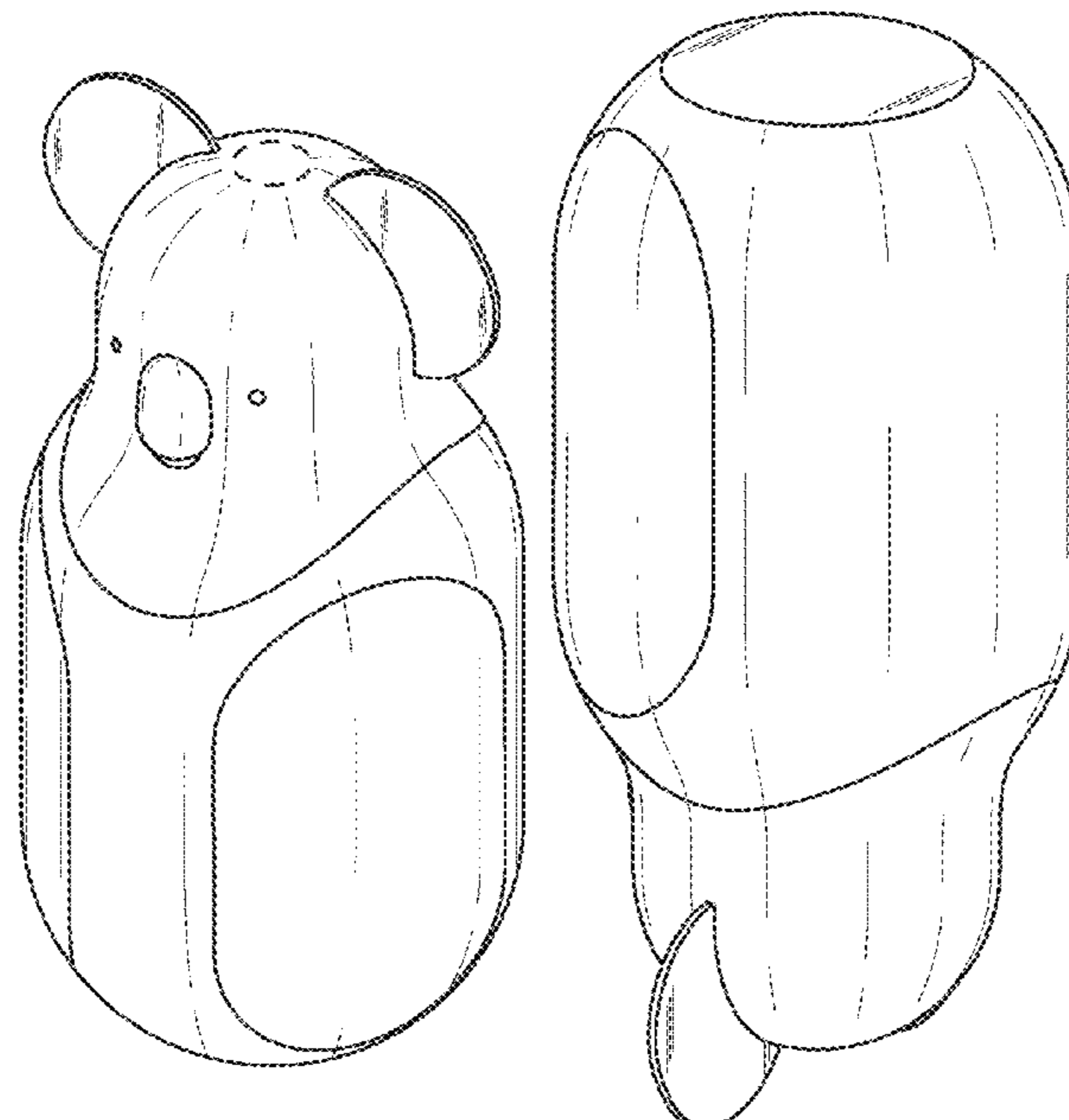
The ornamental design for an aroma diffuser, as shown and described.

DESCRIPTION

FIG. 1 is a front elevational view of an aroma diffuser showing my new design;
FIG. 2 is a rear elevational view thereof;
FIG. 3 is a left side view thereof;
FIG. 4 is a right side view thereof;
FIG. 5 is a top plan view thereof;
FIG. 6 is a bottom plan view thereof;
FIG. 7 is a top, front and right side perspective view thereof; and,
FIG. 8 is a bottom, rear and left side perspective view thereof.

The broken lines in the drawings illustrate portions of the aroma diffuser which form no part of the claimed design.

1 Claim, 8 Drawing Sheets



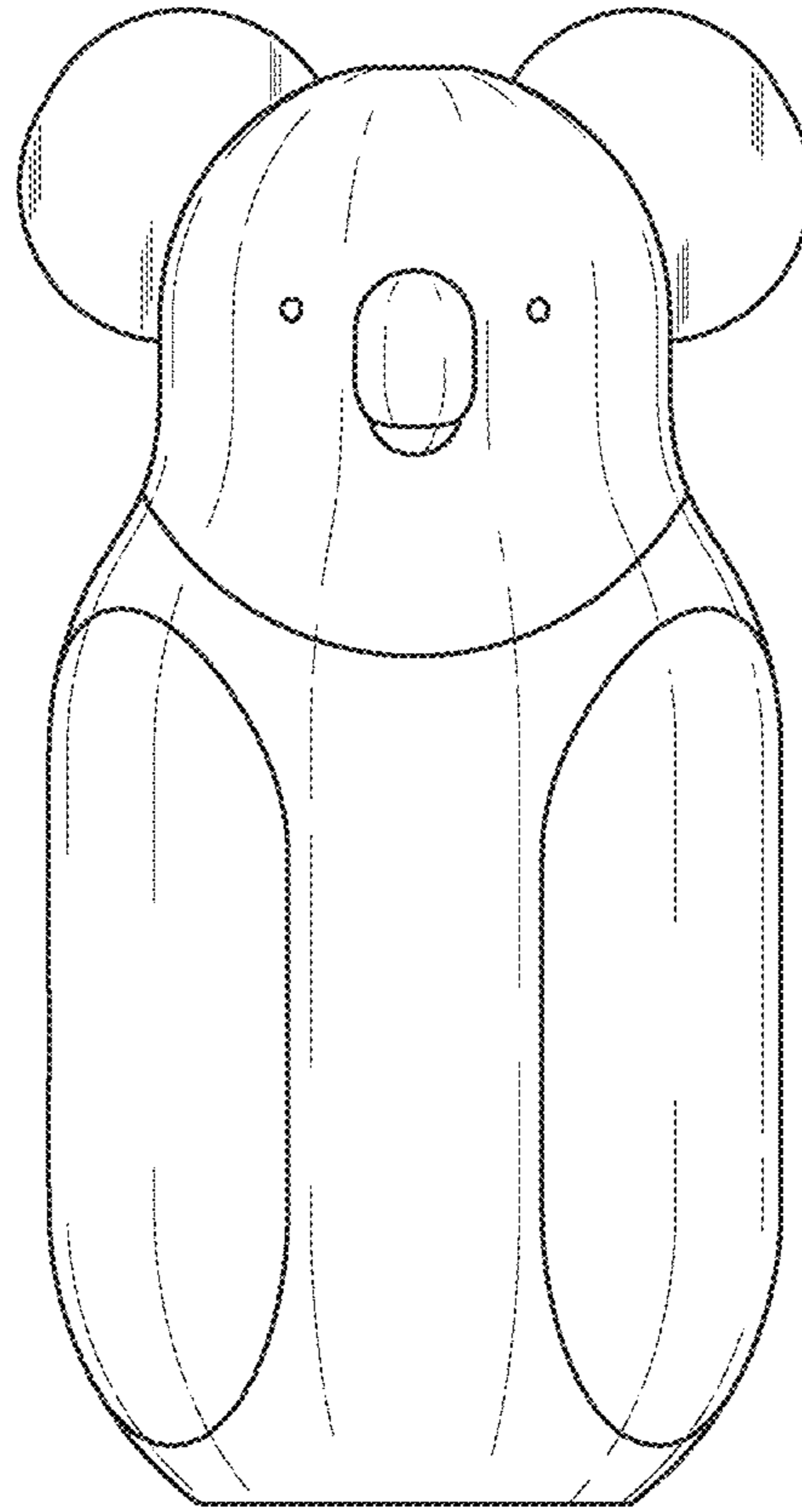


Fig. 1

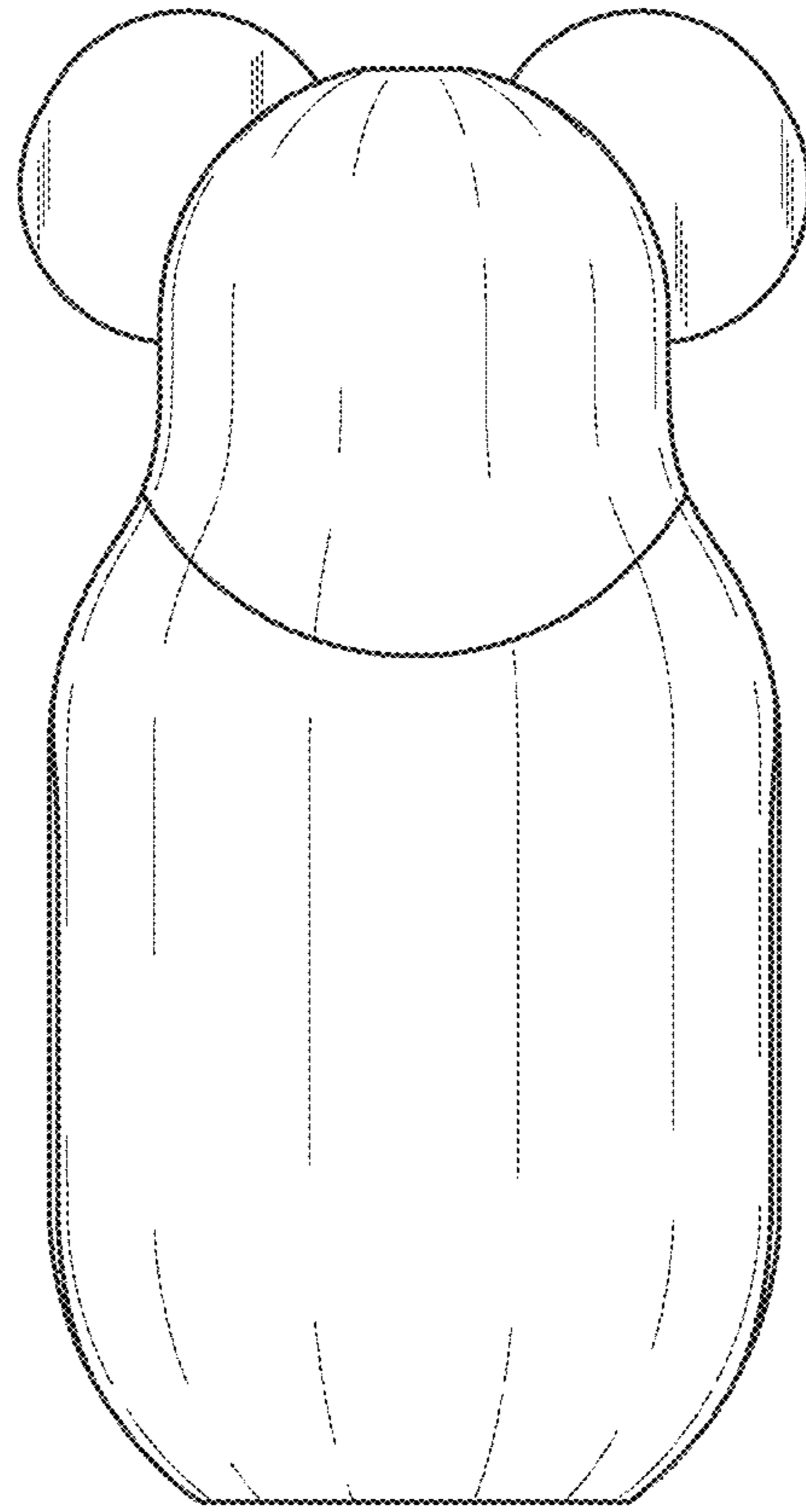


Fig. 2

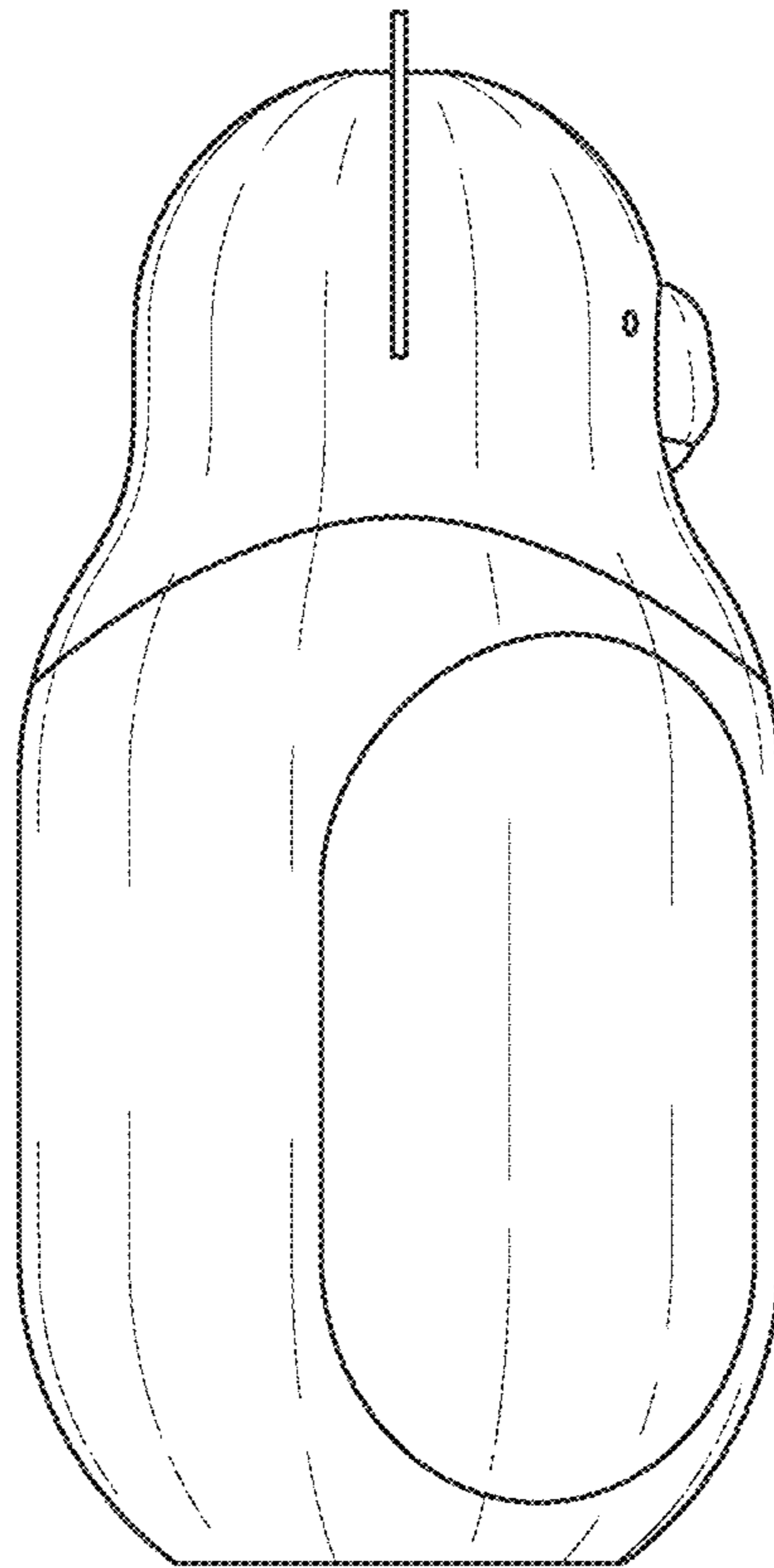


Fig. 3

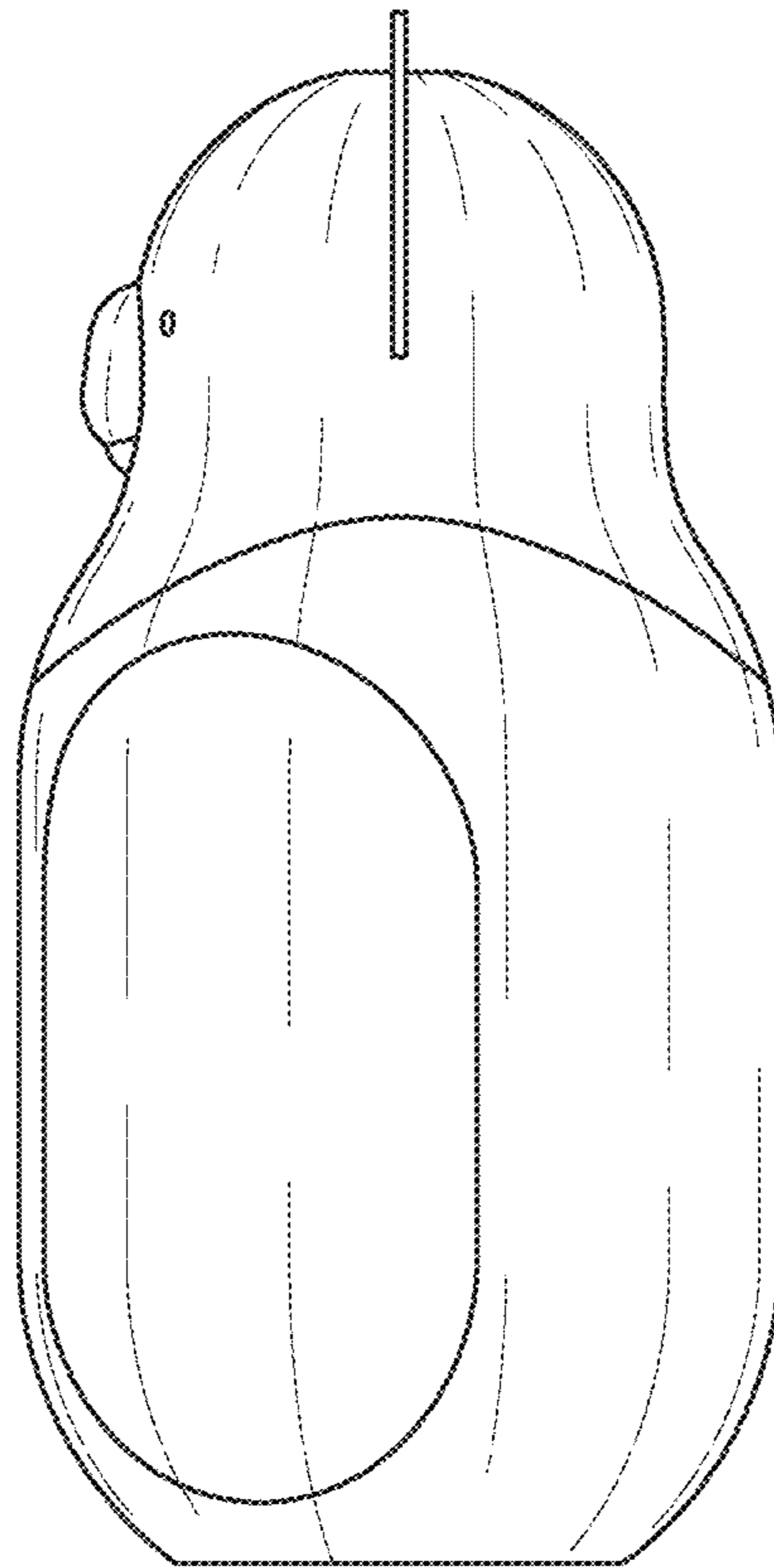


Fig. 4

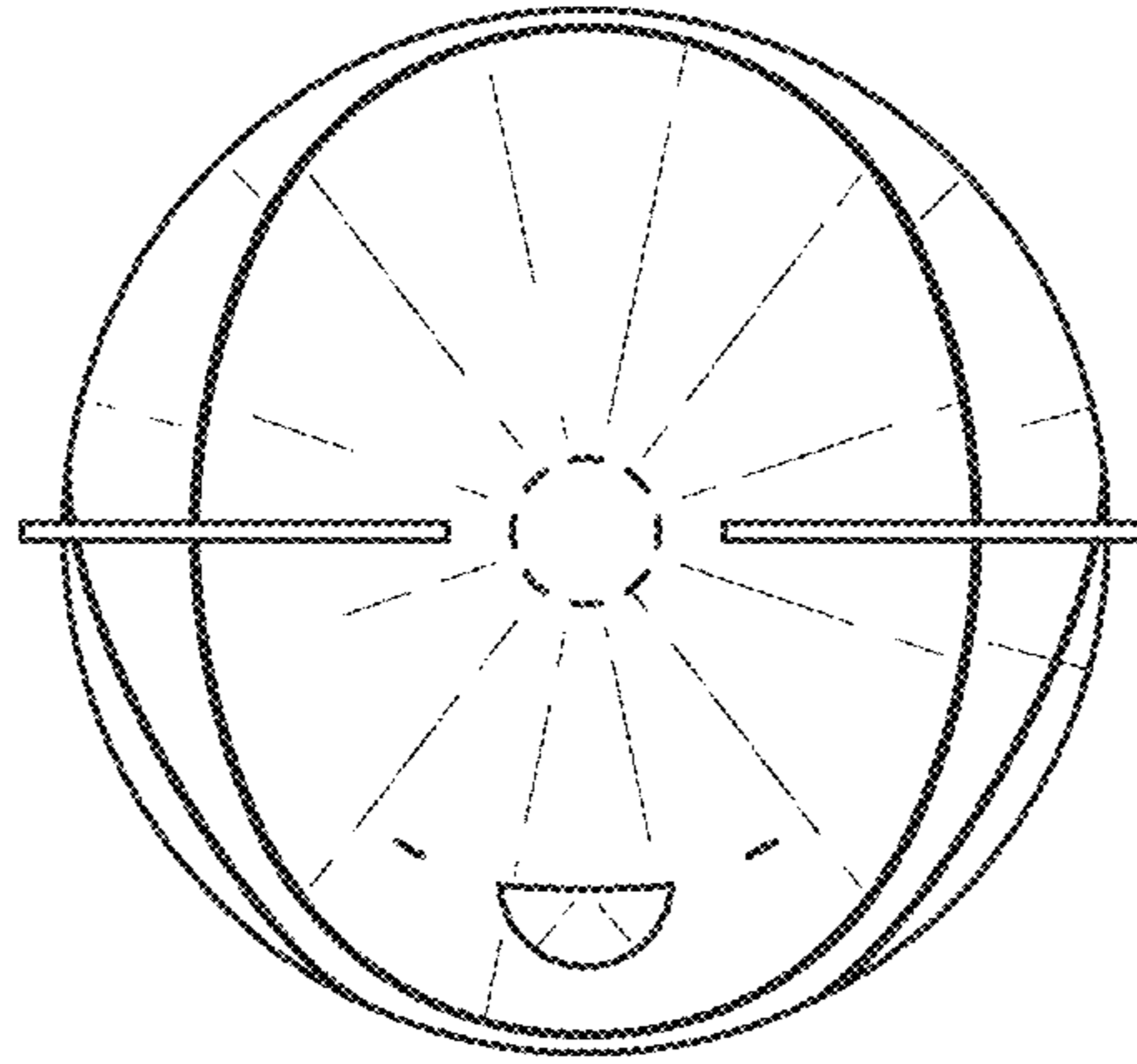


Fig. 5

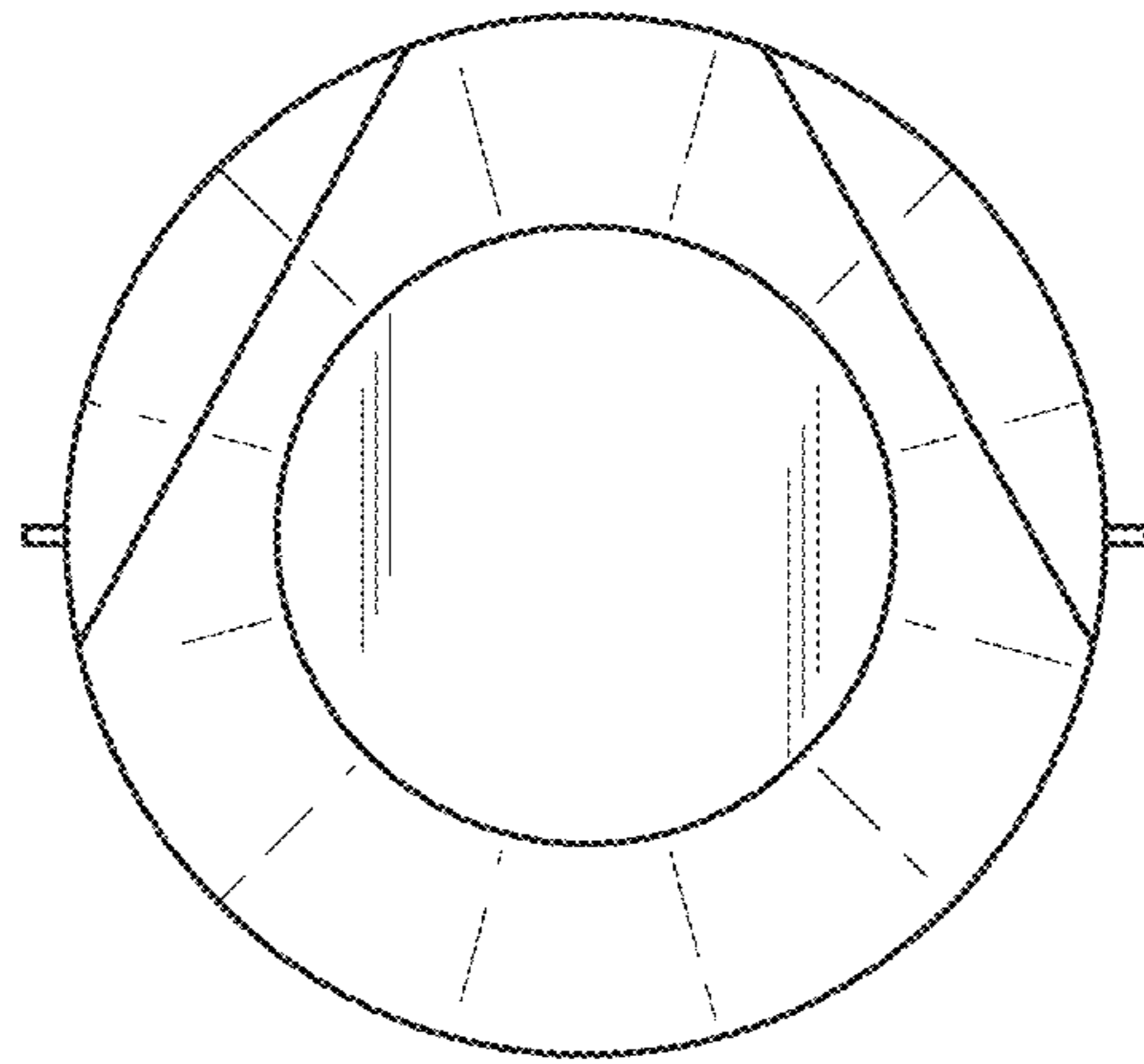


Fig. 6

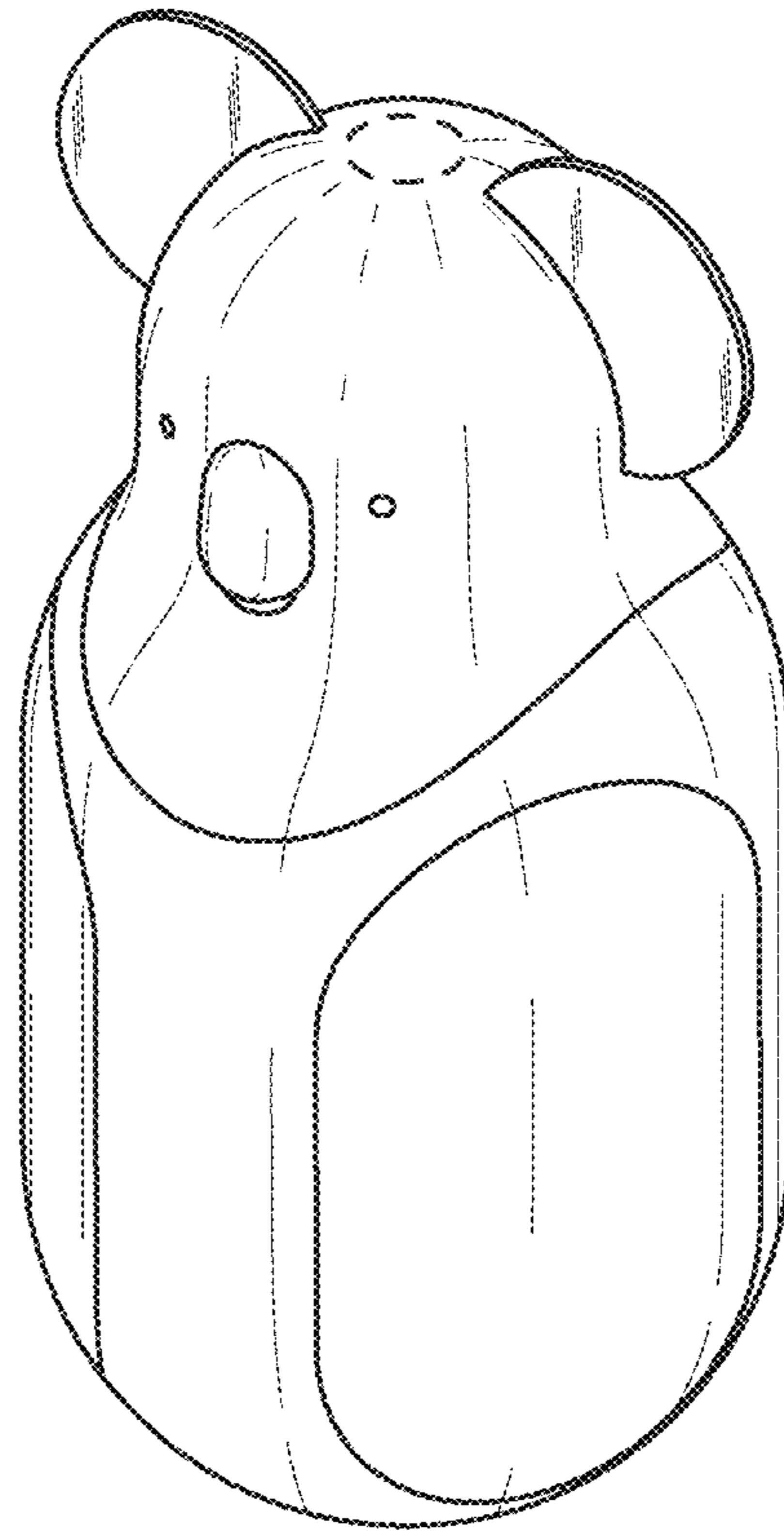


Fig. 7

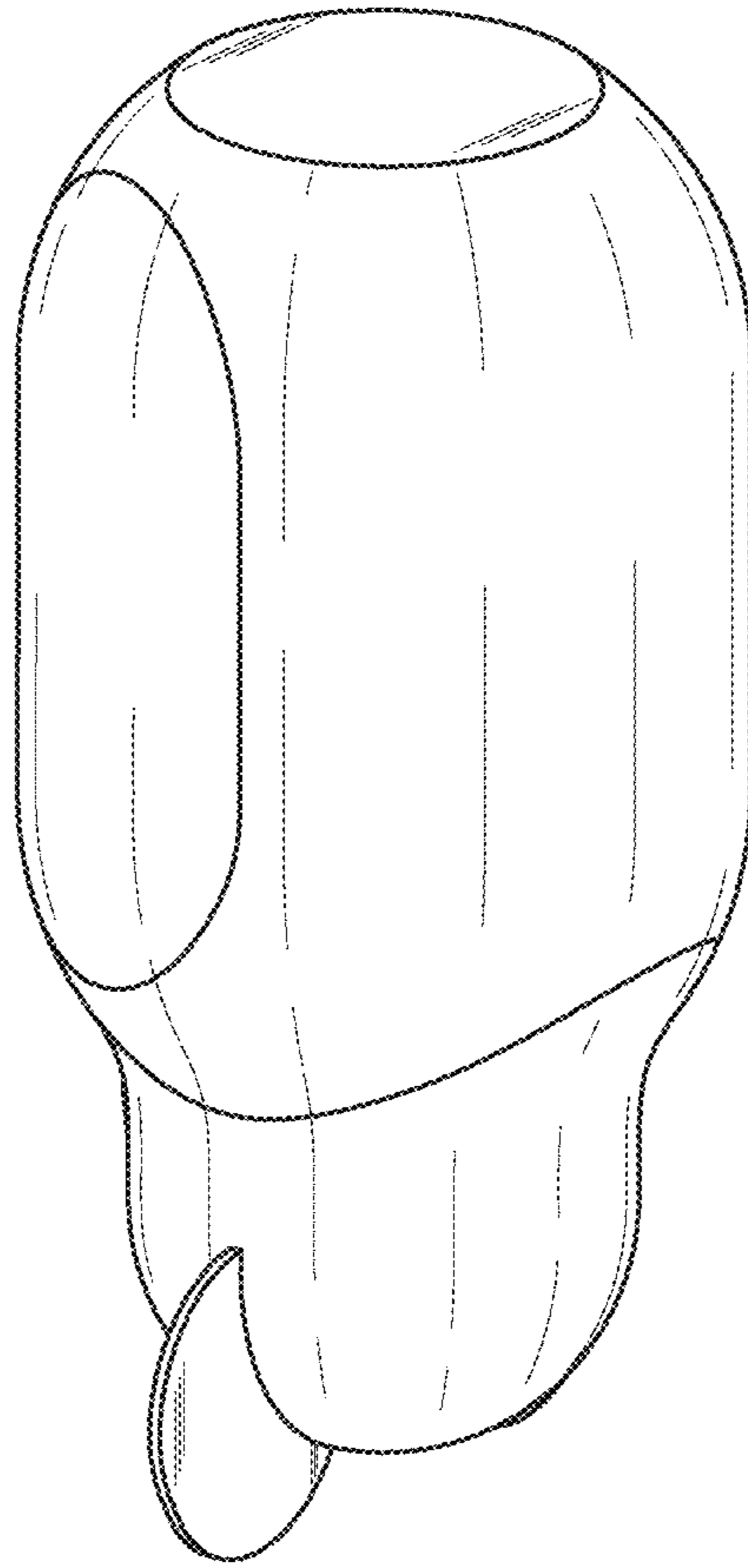


Fig. 8