



US00D919070S

(12) **United States Design Patent**
Niedermann

(10) **Patent No.:** **US D919,070 S**

(45) **Date of Patent:** **** May 11, 2021**

(54) **PORTABLE AIR TREATMENT UNIT**

6,989,051 B2 * 1/2006 Parisi B03C 3/155
96/67

(71) Applicant: **Dirk Niedermann**, Naples, FL (US)

D535,736 S * 1/2007 Wu D23/366

D805,618 S * 12/2017 Dent D23/342

(72) Inventor: **Dirk Niedermann**, Naples, FL (US)

D868,232 S * 11/2019 Tanner D23/356

D868,952 S * 12/2019 Wang D23/332

(**) Term: **15 Years**

D874,626 S * 2/2020 Protet D23/356

D888,920 S * 6/2020 Fujii D23/364

D898,890 S * 10/2020 Roberts D23/366

(21) Appl. No.: **29/739,595**

* cited by examiner

(22) Filed: **Jun. 26, 2020**

Primary Examiner — David G Muller

(74) *Attorney, Agent, or Firm* — Wood, Phillips, Katz,
Clark & Mortimer

Related U.S. Application Data

(62) Division of application No. 16/532,025, filed on Apr.
29, 2020.

(57) **CLAIM**

The ornamental design for a portable air treatment unit, as
shown and described.

(51) **LOC (13) Cl.** **23-04**

(52) **U.S. Cl.**
USPC **D23/364**

DESCRIPTION

(58) **Field of Classification Search**
USPC D23/355–366, 352, 369, 332, 333, 335,
D23/336, 342, 351; 422/120, 122;
55/120, 122; 96/97; 261/120, 122
CPC .. A61L 9/16; A61L 9/22; B01D 47/00; B01D
47/027; B01D 2221/02; B01D 2259/4508;
B03C 3/155; B03C 3/368; F24F 3/16;
F24F 13/20; F24F 13/28; F24F
2001/0096

FIG. 1 is a front, top, and side perspective view of my
portable air treatment unit with a cover in place thereon;
FIG. 2 is an elevation view from either side thereof;
FIG. 3 is a front elevation view thereof;
FIG. 4 is rear elevation view thereof;
FIG. 5 is a top view thereof;
FIG. 6 is a bottom view thereof;
FIG. 7 is a view as in FIG. 1 with the cover removed;
FIG. 8 is a view as in FIG. 2 with the cover removed;
FIG. 9 is a view as in FIG. 3 with the cover removed;
FIG. 10 is a view as in FIG. 4 with the cover removed;
FIG. 11 is a view as in FIG. 5 with the cover removed; and,
FIG. 12 is a view as in FIG. 6 with the cover removed.

See application file for complete search history.

The portions of the portable air treatment unit shown in
dotted lines do not constitute a part of the claimed design.

(56) **References Cited**

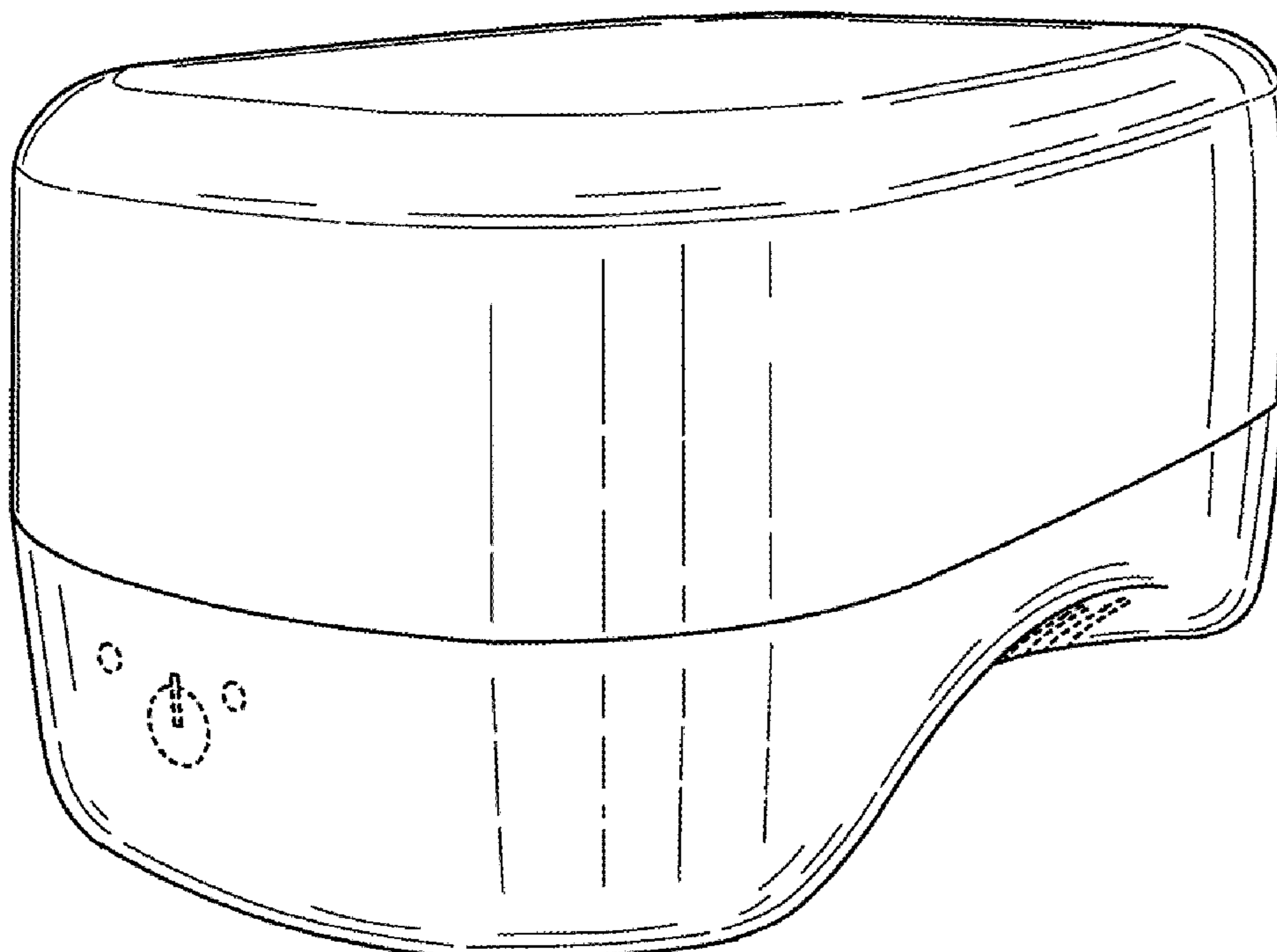
U.S. PATENT DOCUMENTS

D449,099 S * 10/2001 Juhlin D23/355

D475,772 S * 6/2003 Birsdell D23/356

D484,962 S * 1/2004 Best D23/356

1 Claim, 6 Drawing Sheets



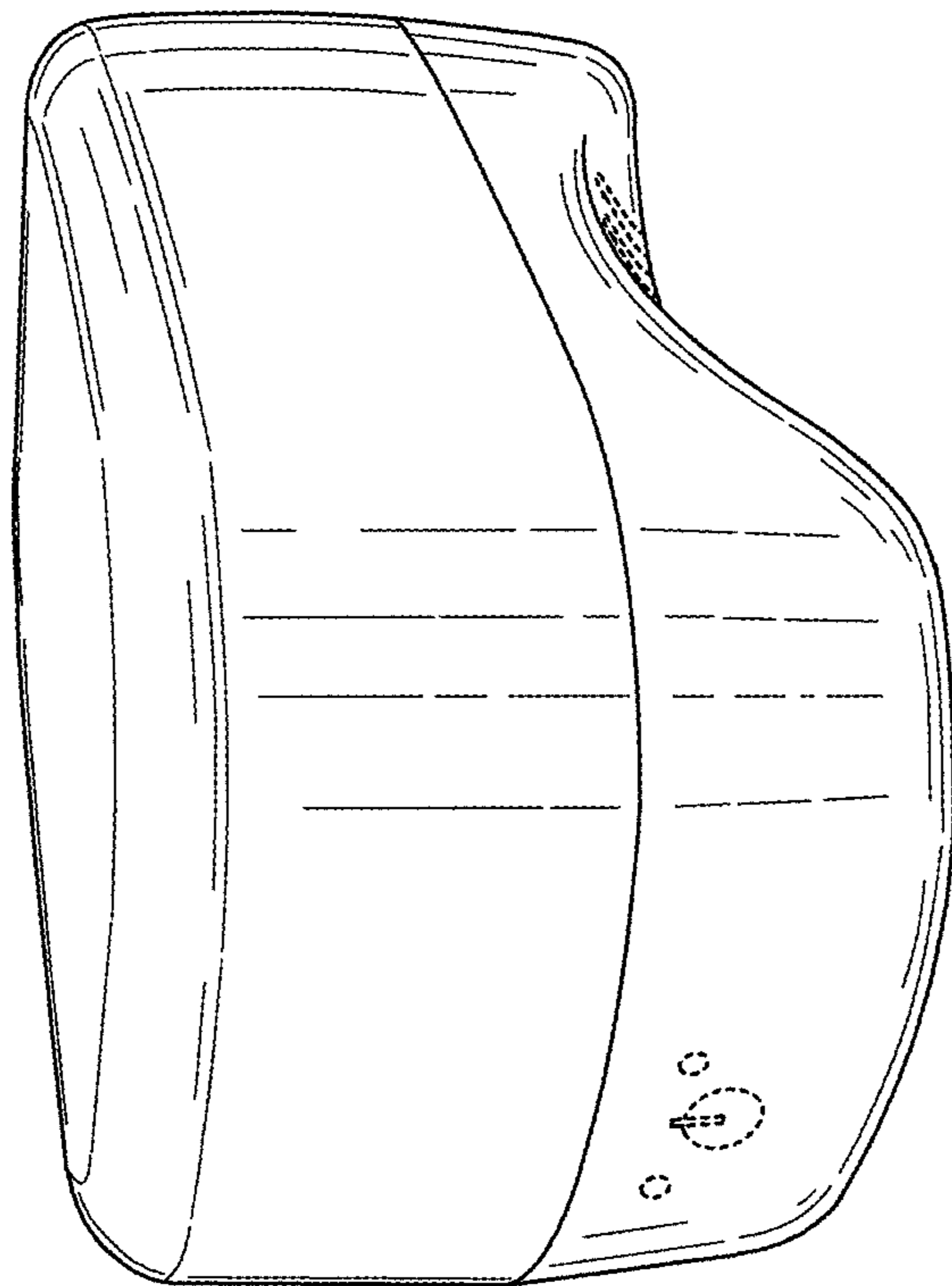


Fig. 1

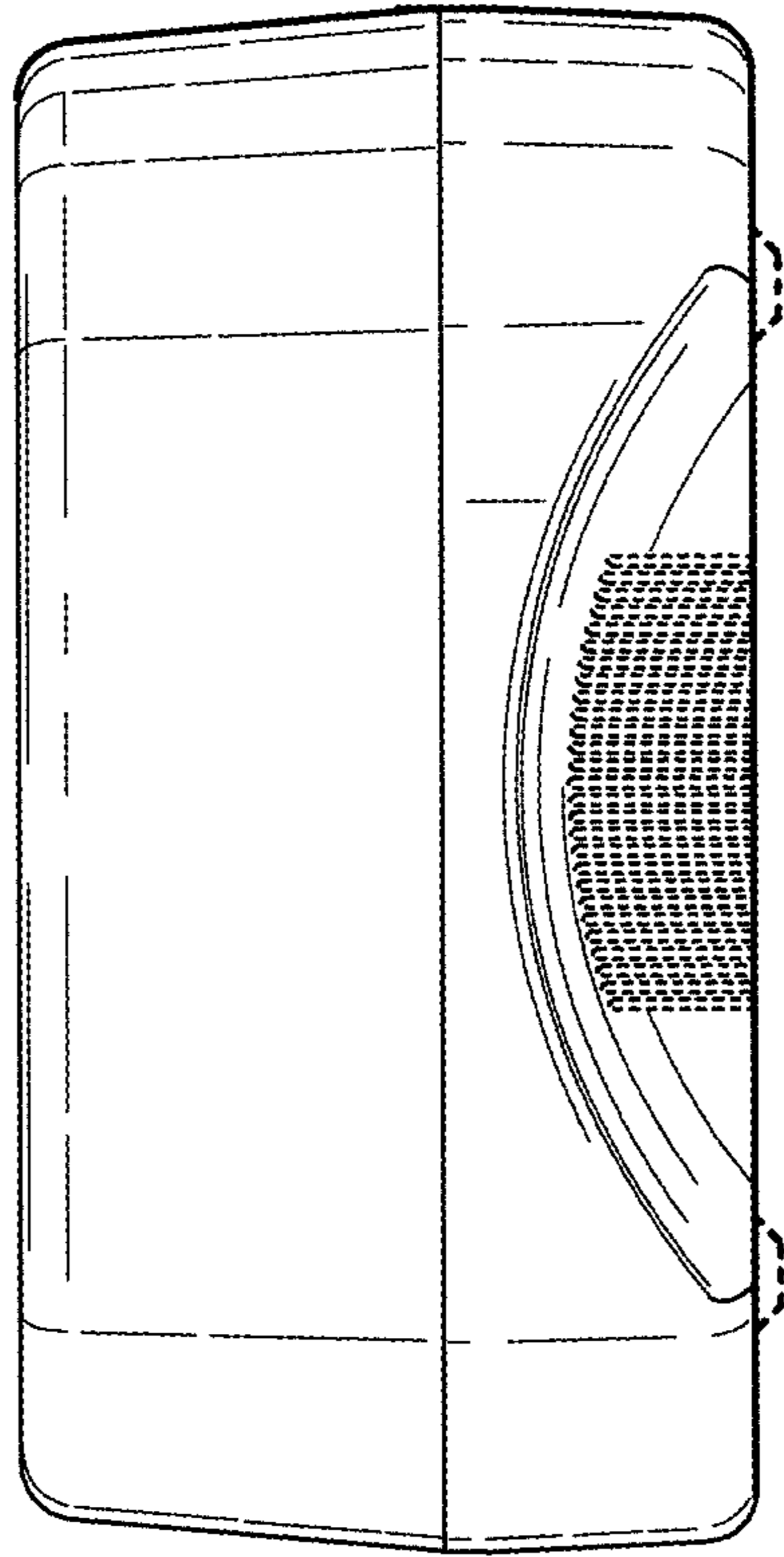


Fig. 2

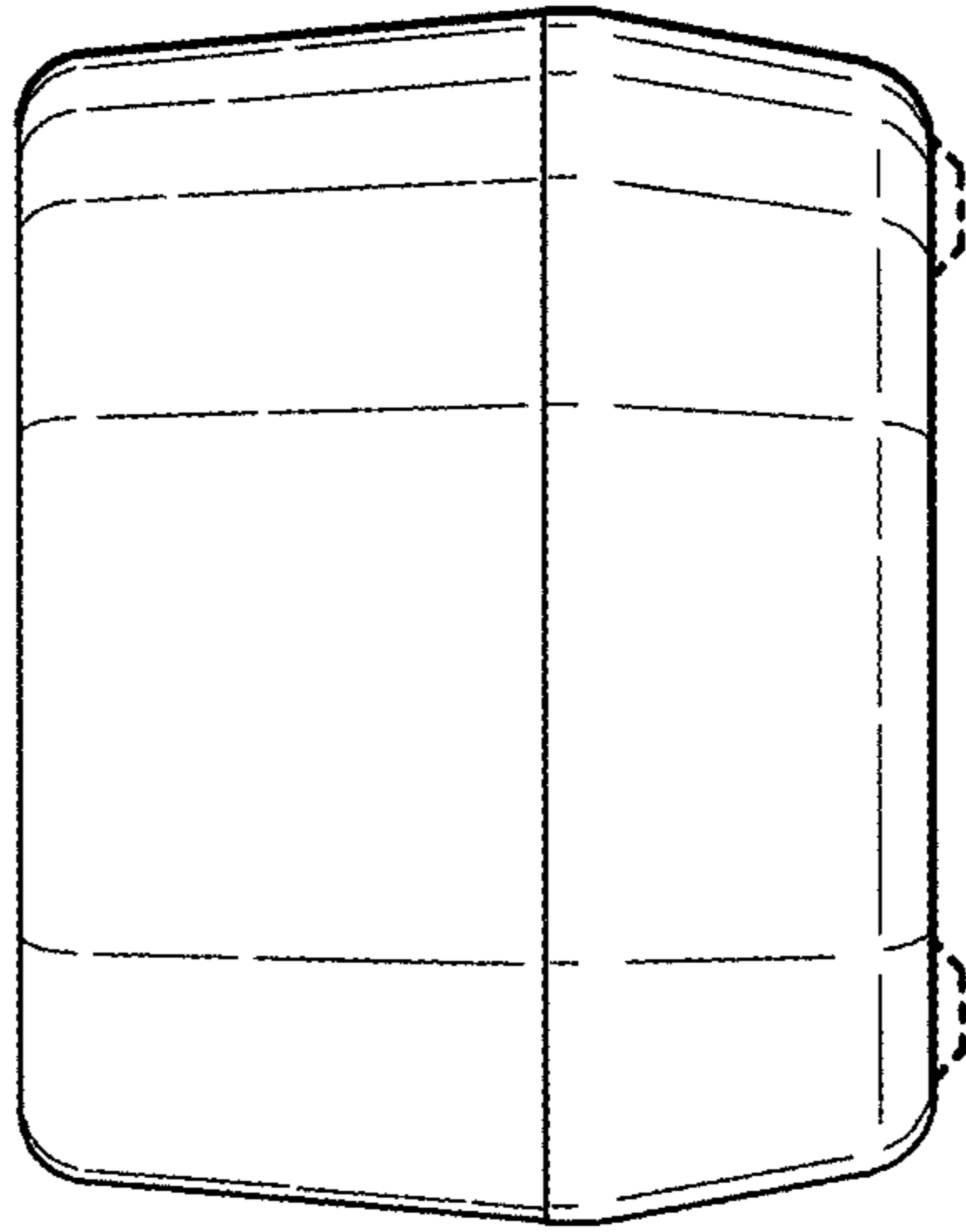


Fig. 4

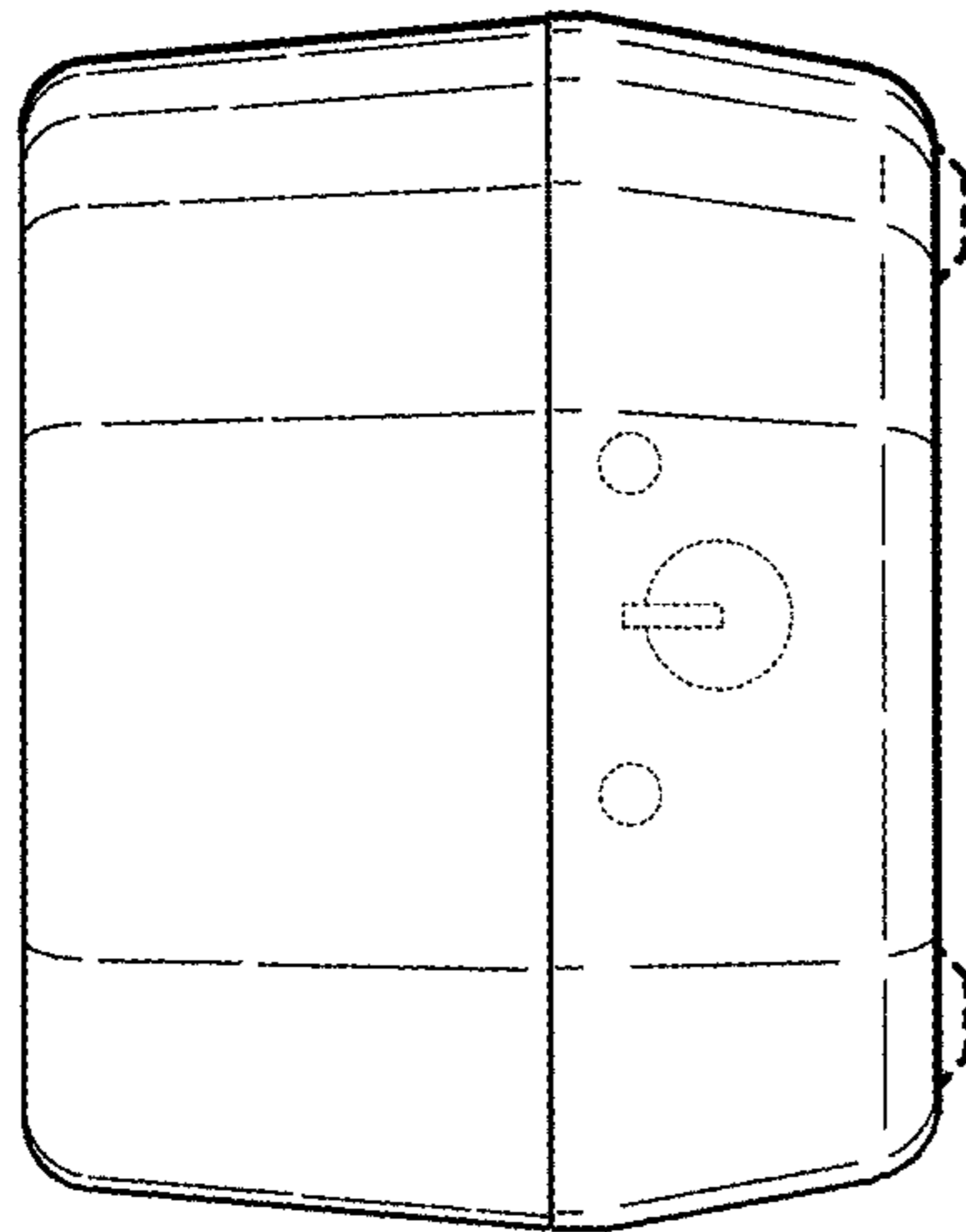


Fig. 3

Fig. 5

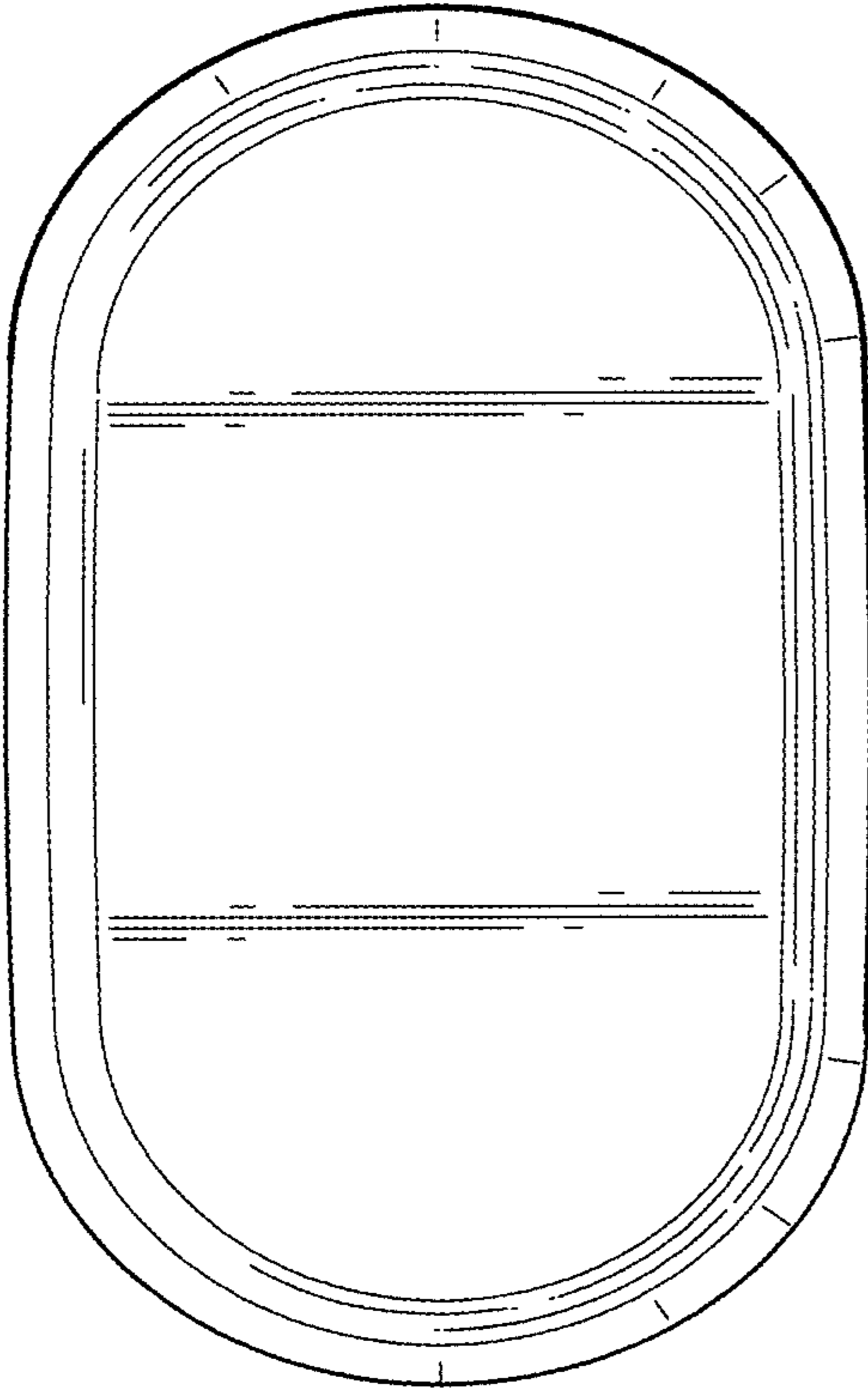
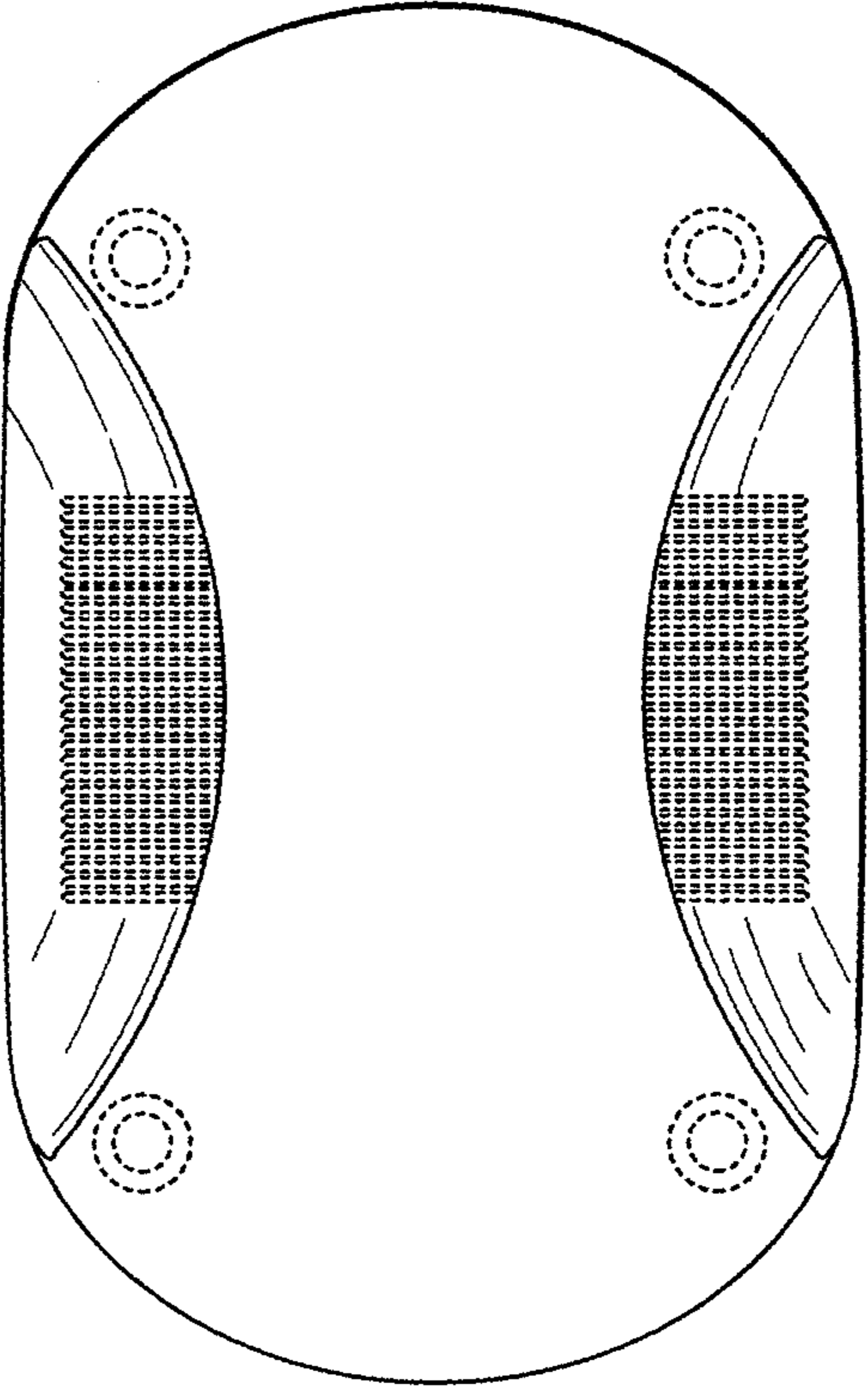


Fig. 6



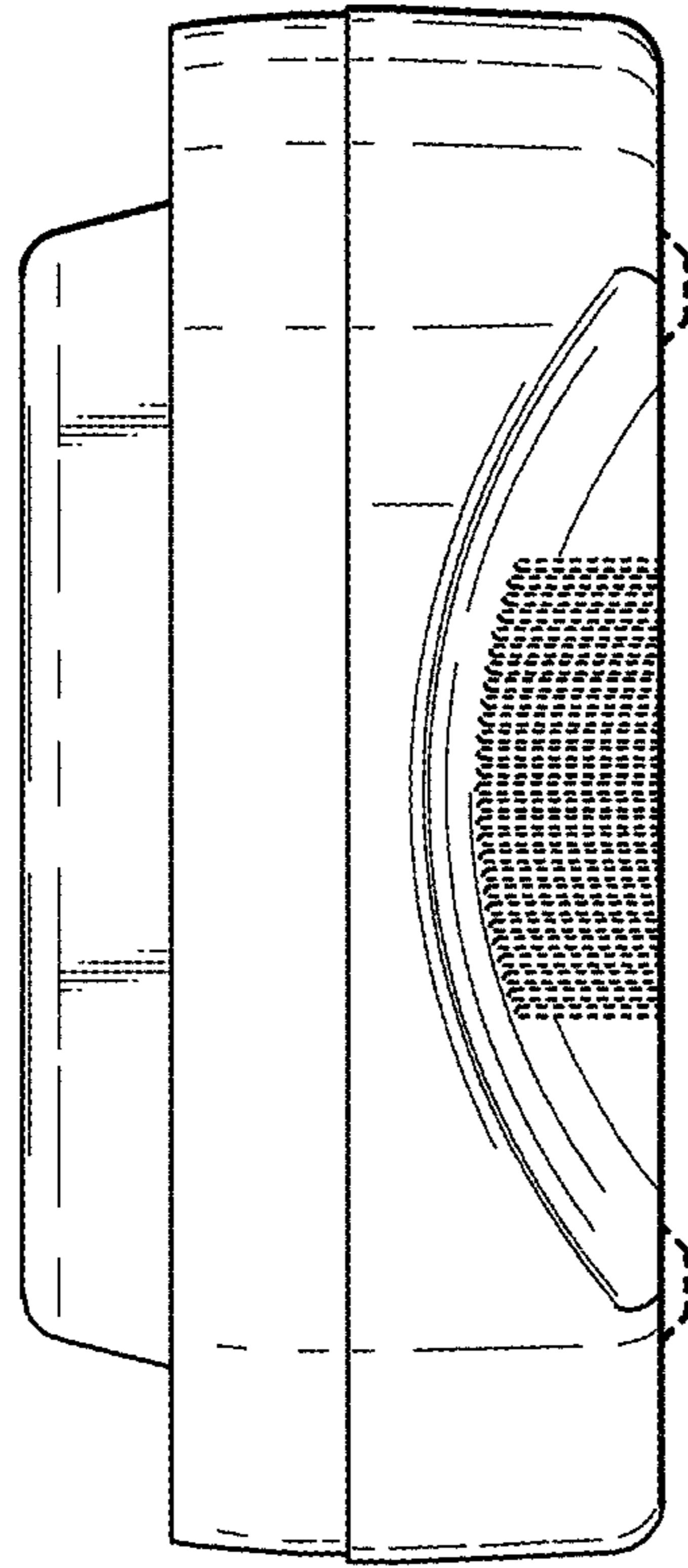


Fig. 8

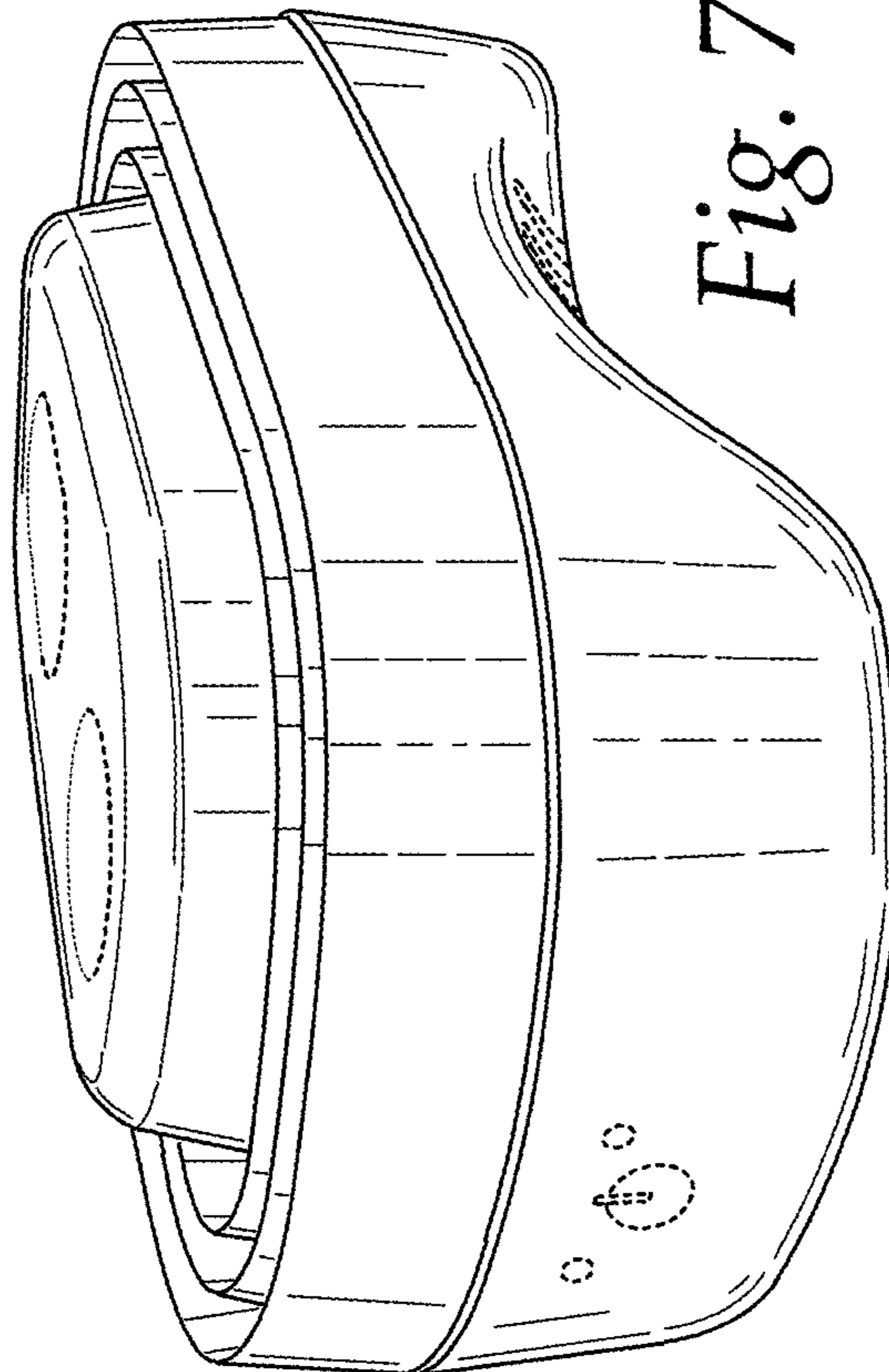


Fig. 7

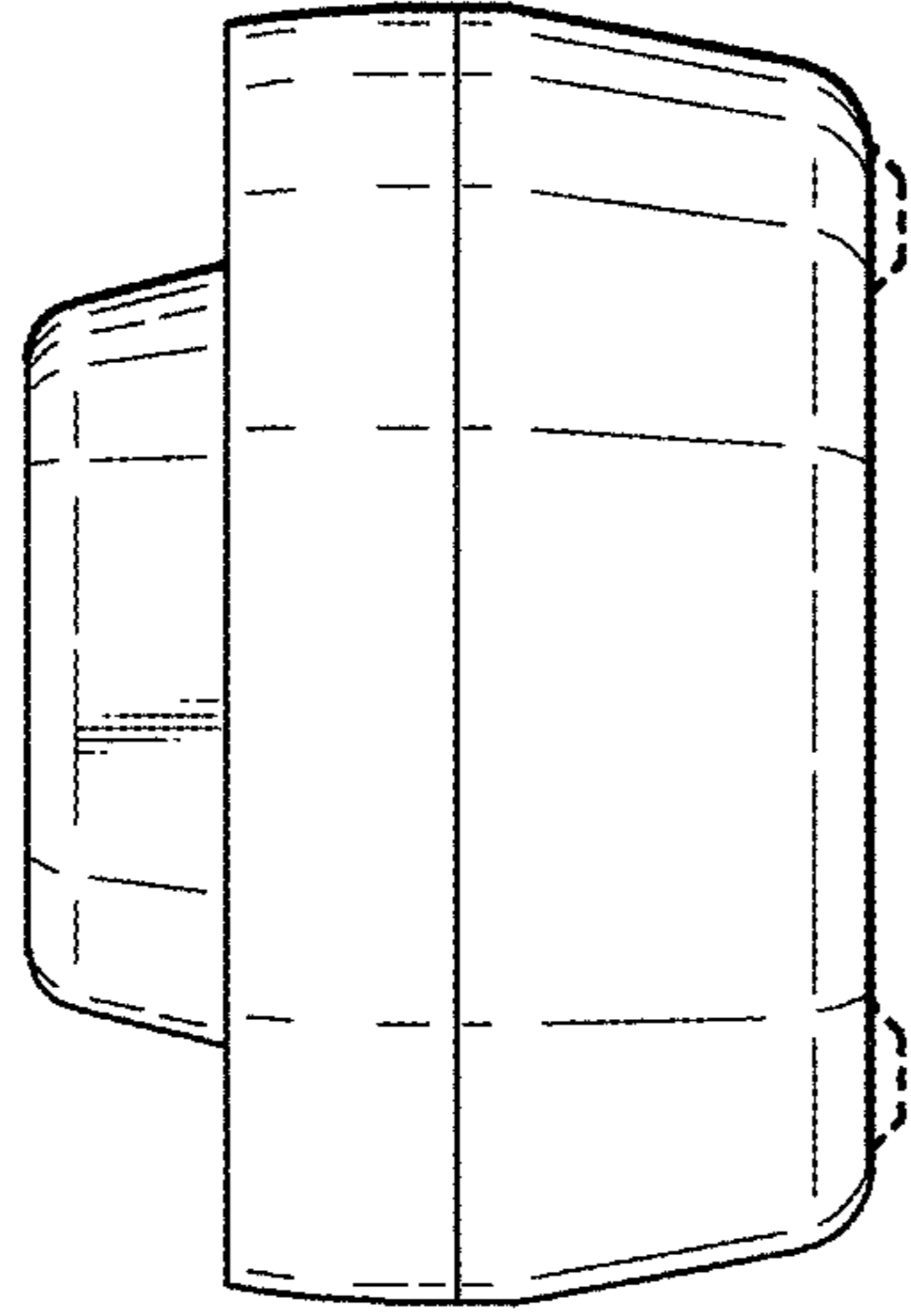


Fig. 10

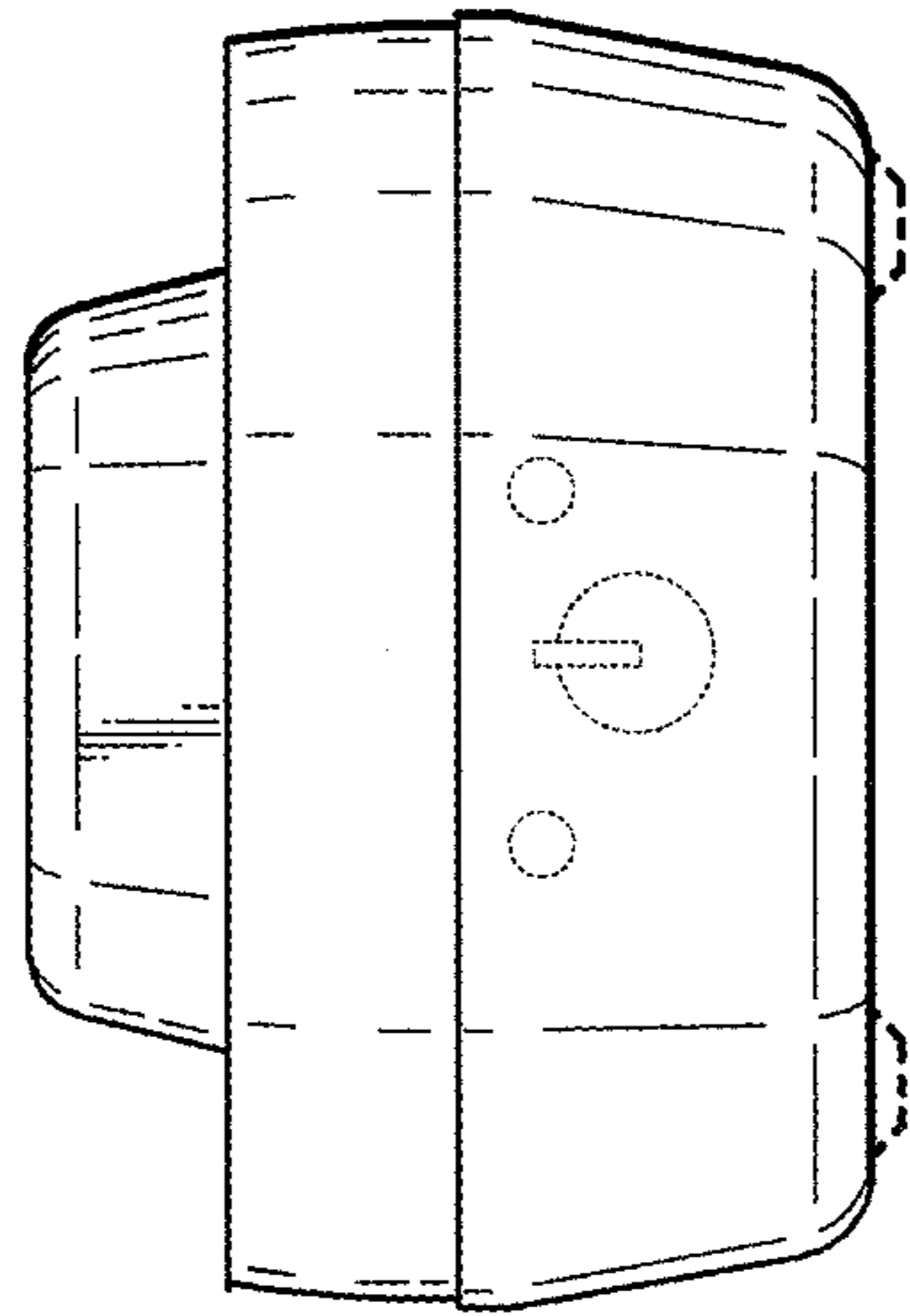


Fig. 9

Fig. 11

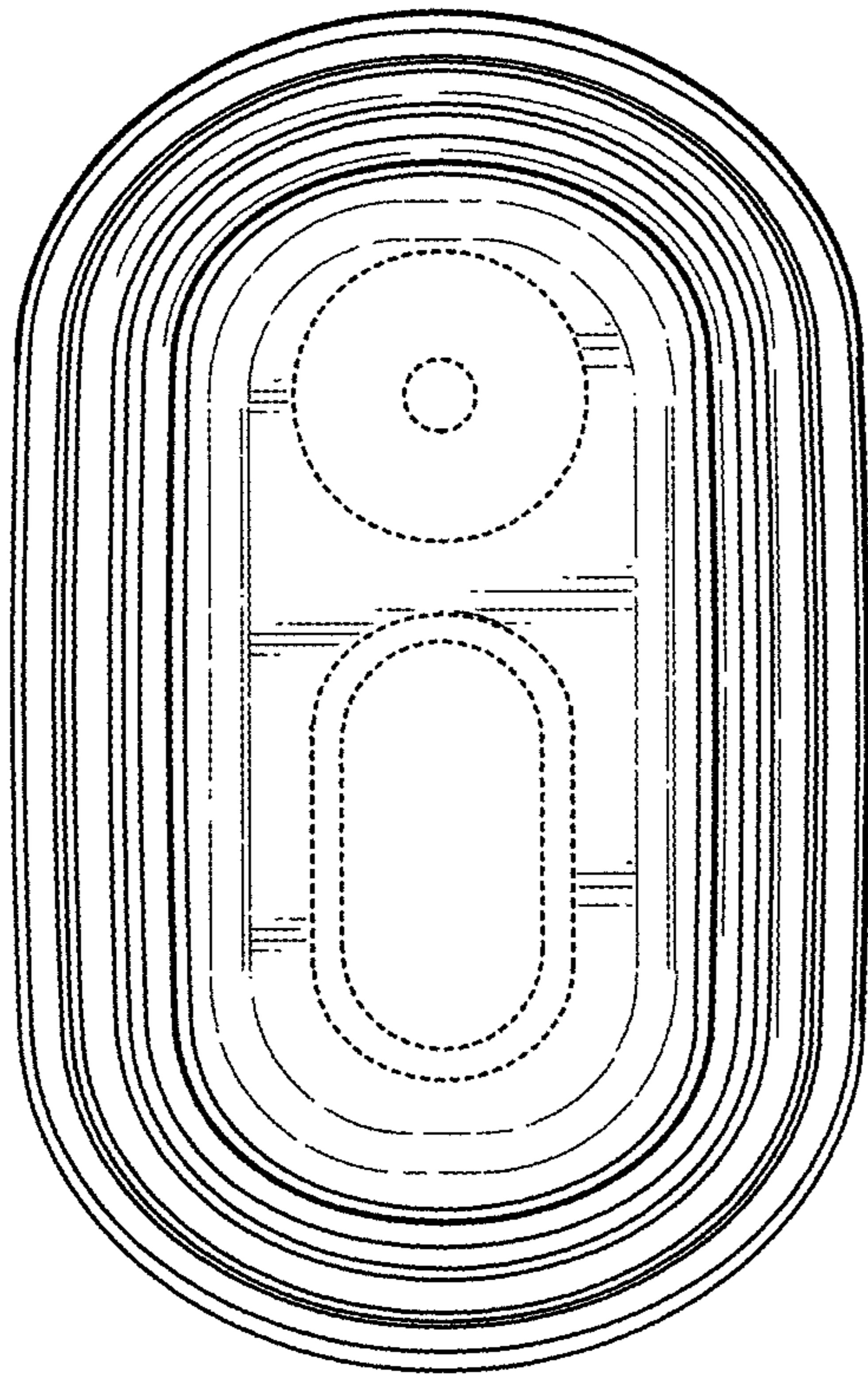
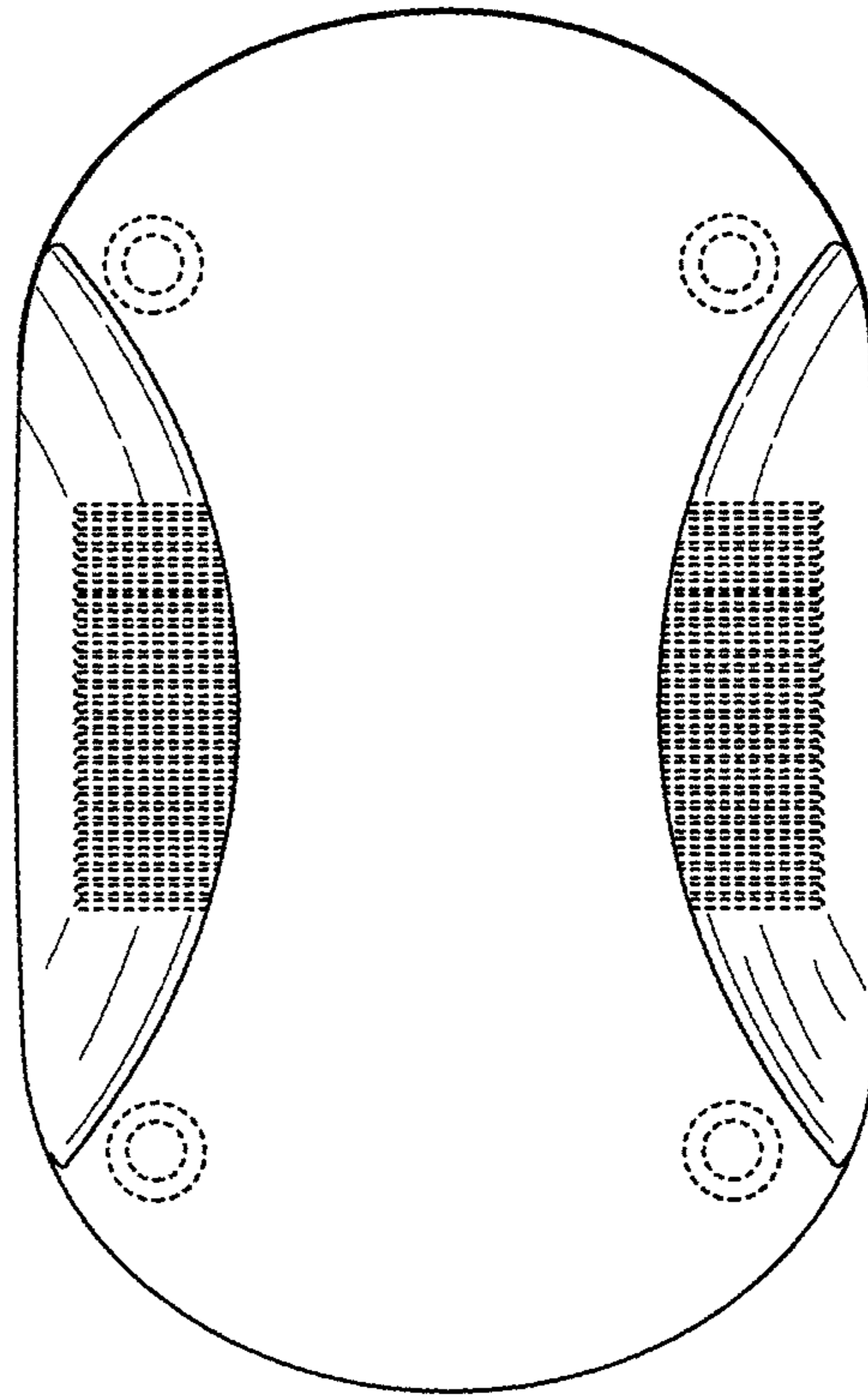


Fig. 12



UNITED STATES PATENT AND TRADEMARK OFFICE
CERTIFICATE OF CORRECTION

PATENT NO. : D919,070 S
APPLICATION NO. : 29/739595
DATED : May 11, 2021
INVENTOR(S) : Dirk Niedermann

Page 1 of 1

It is certified that error appears in the above-identified patent and that said Letters Patent is hereby corrected as shown below:

On the Title Page

Please add the following data:

Related U.S. Application Data

(62) Division of application No. 16/862,025 filed Apr. 29, 2020

Signed and Sealed this
Seventeenth Day of August, 2021



Drew Hirshfeld
*Performing the Functions and Duties of the
Under Secretary of Commerce for Intellectual Property and
Director of the United States Patent and Trademark Office*