



US00D919063S

(12) **United States Design Patent** (10) **Patent No.:** **US D919,063 S**
Rice (45) **Date of Patent:** **** May 11, 2021**

(54) **FIRE TABLE WITH DUAL-LEVEL SURFACES AND DUAL-LEVEL FIRE SLOTS**

(71) Applicant: **Hanie Group LLC**, Portland, OR (US)

(72) Inventor: **Jessica Rice**, Portland, OR (US)

(73) Assignee: **HANIE GROUP LLC**, Portland, OR (US)

(**) Term: **15 Years**

(21) Appl. No.: **29/719,670**

(22) Filed: **Jan. 7, 2020**

(51) **LOC (13) Cl.** **23-03**

(52) **U.S. Cl.**
USPC **D23/332**

(58) **Field of Classification Search**
USPC D23/314, 317, 332, 336, 342-350, 329, D23/338, 339, 328, 334, 335, 341; D6/449, 464, 465, 474, 477, 478, 479, D6/570, 574, 460, 691
CPC F24C 7/105; F24C 1/10; F24C 3/04; F24C 7/065; F23D 14/12; F24H 3/00; A47J 2037/0777; A47J 37/0763; F24B 3/00; F24B 1/195; F24B 1/00; F24B 13/00; F24B 1/18; F24B 13/004; F24B 1/192; F24B 1/181; F24B 1/182; F24B 1/1802
See application file for complete search history.

(56) **References Cited**

U.S. PATENT DOCUMENTS

- D134,725 S * 1/1943 Waltman D6/691
- 3,491,744 A * 1/1970 Von Kohorn, Jr. A47J 37/0781
126/25 R
- D233,499 S * 11/1974 Sakata D6/686
- 4,349,713 A * 9/1982 Marsen H05B 6/766
126/19 M

- D805,171 S * 12/2017 Hrydovyy D23/343
- 9,869,474 B2 * 1/2018 McEvoy B01D 46/0095
- D822,188 S * 7/2018 Pontillas D23/343
- D857,865 S * 8/2019 Wang D23/339
- D901,651 S * 11/2020 Wang D23/332
- 2008/0163863 A1 * 7/2008 Thomas F24C 15/22
126/512
- 2014/0174427 A1 * 6/2014 Yuen A47J 37/067
126/25 R
- 2015/0250305 A1 * 9/2015 Kahler F23D 14/28
108/50.13
- 2017/0261210 A1 * 9/2017 Harris F24C 3/08
- 2020/0191407 A1 * 6/2020 Zemel F24B 1/192
- 2020/0248910 A1 * 8/2020 Hawkinson A47B 37/04

* cited by examiner

Primary Examiner — Ania Aman
(74) *Attorney, Agent, or Firm* — McClure, Qualey & Rodack, LLP

(57) **CLAIM**

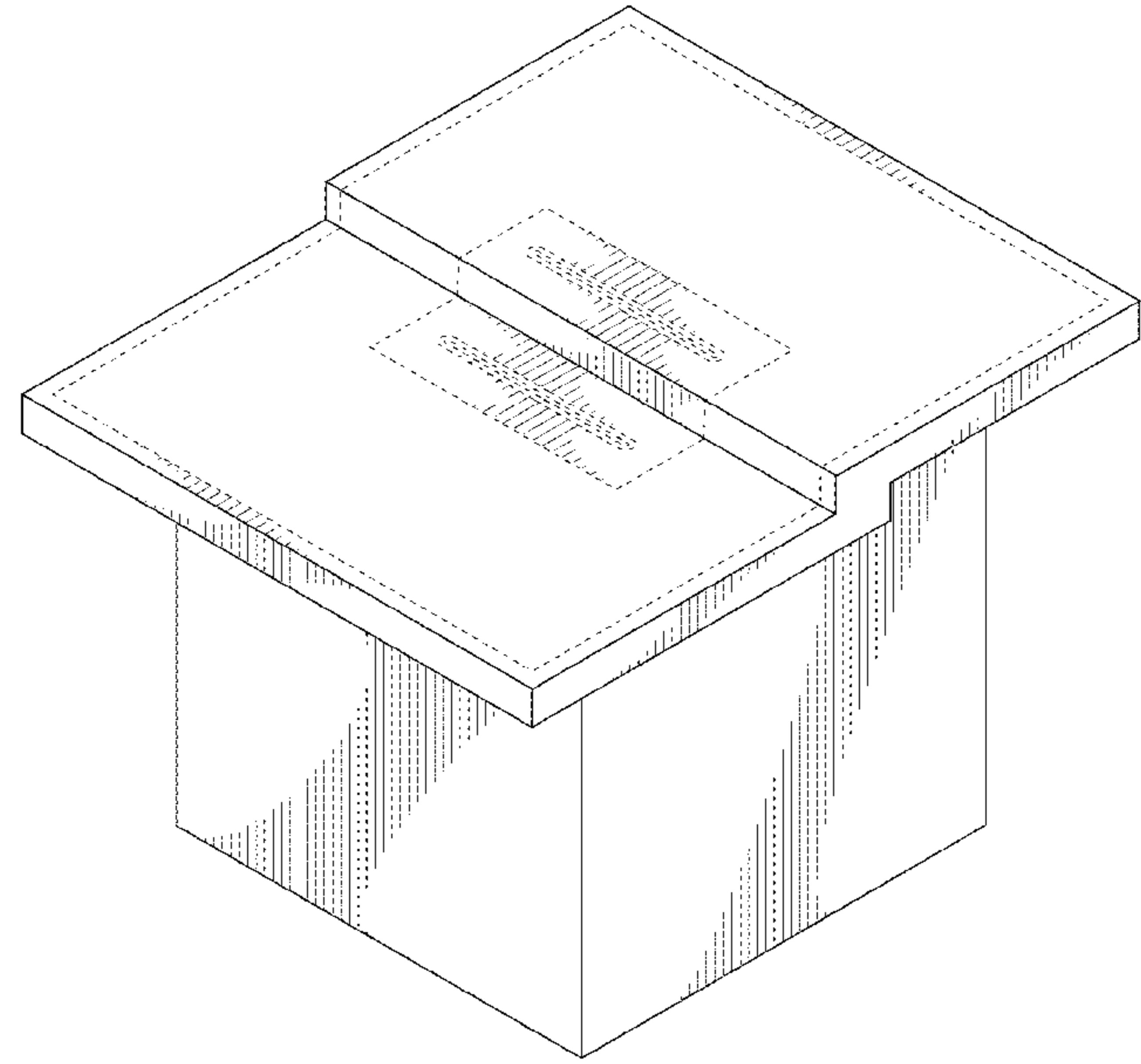
The ornamental design for a fire table with dual-level surfaces and dual-level fire slots, as shown and described.

DESCRIPTION

FIG. 1 is a perspective view of a fire table with dual-level surfaces and dual-level fire slots;
FIG. 2 is a front view thereof;
FIG. 3 is a back view thereof;
FIG. 4 is a right side view thereof;
FIG. 5 is a left side view thereof;
FIG. 6 is a top view thereof; and,
FIG. 7 is a bottom view thereof.

The broken lines shown in the drawings on the top of the table define the bounds of the claimed design and form no part thereof. The broken lines showing the slots and feet depict portions of the article that form no part of the claimed design.

1 Claim, 7 Drawing Sheets



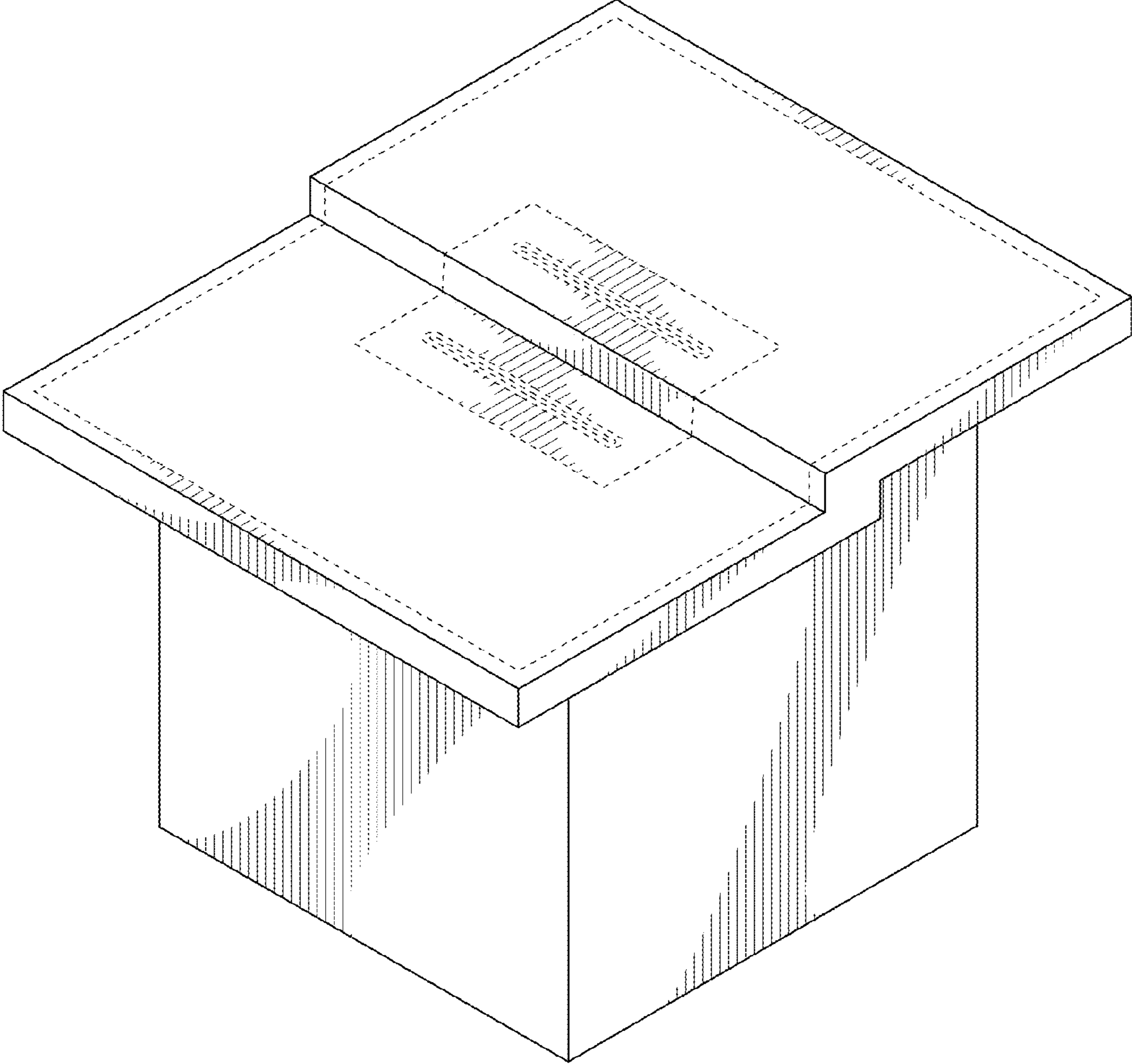


FIG. 1

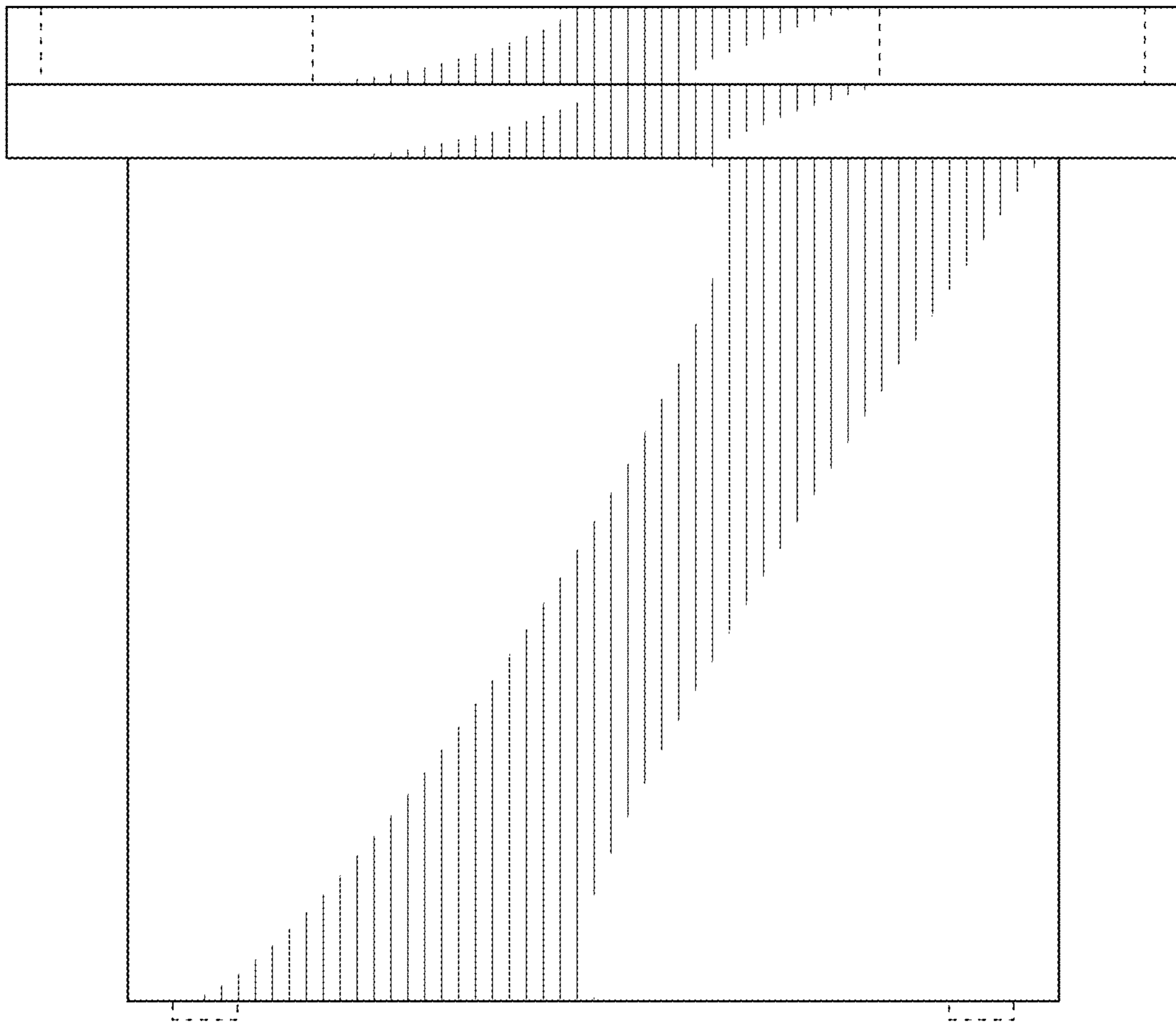


FIG. 2

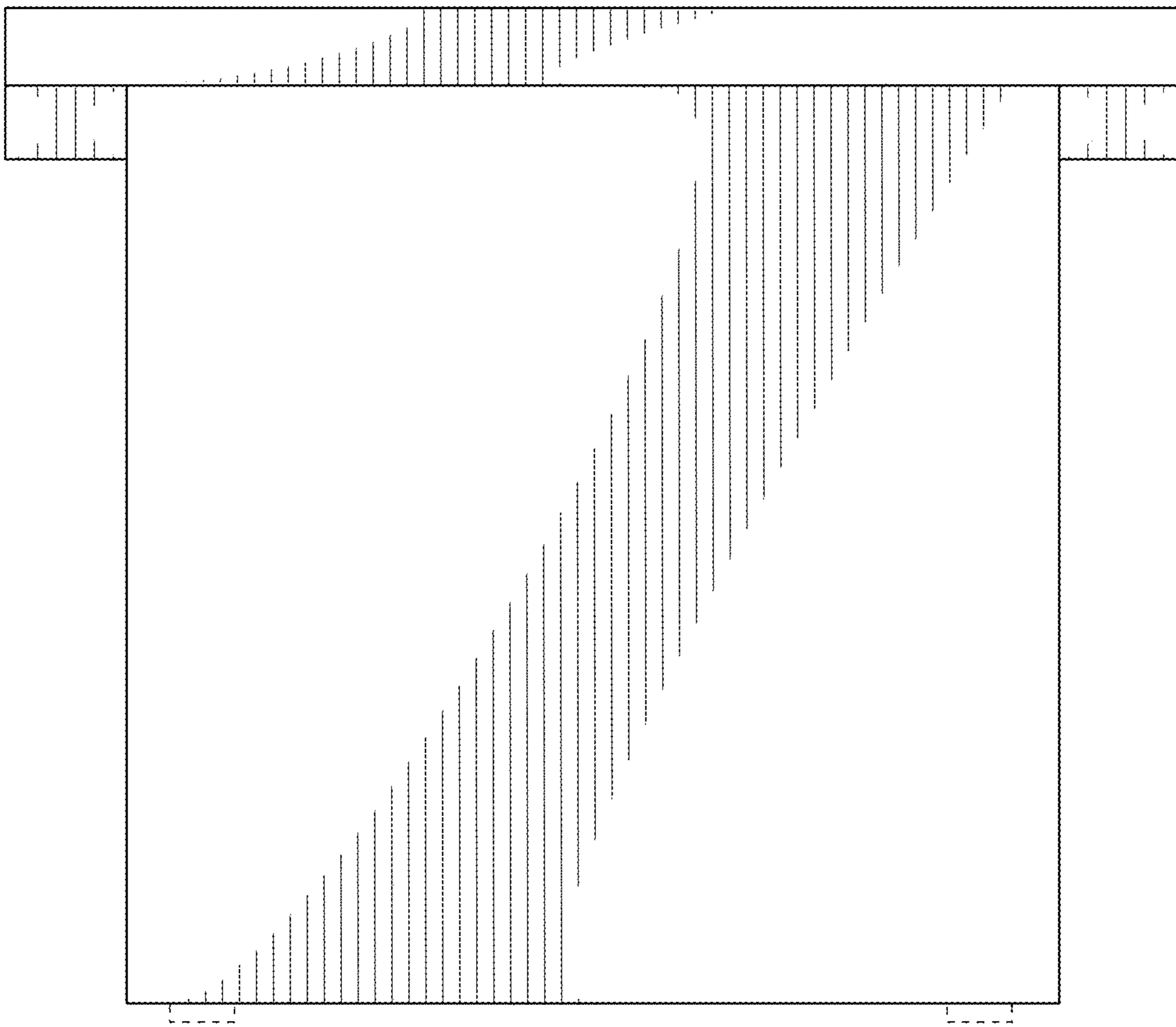


FIG. 3

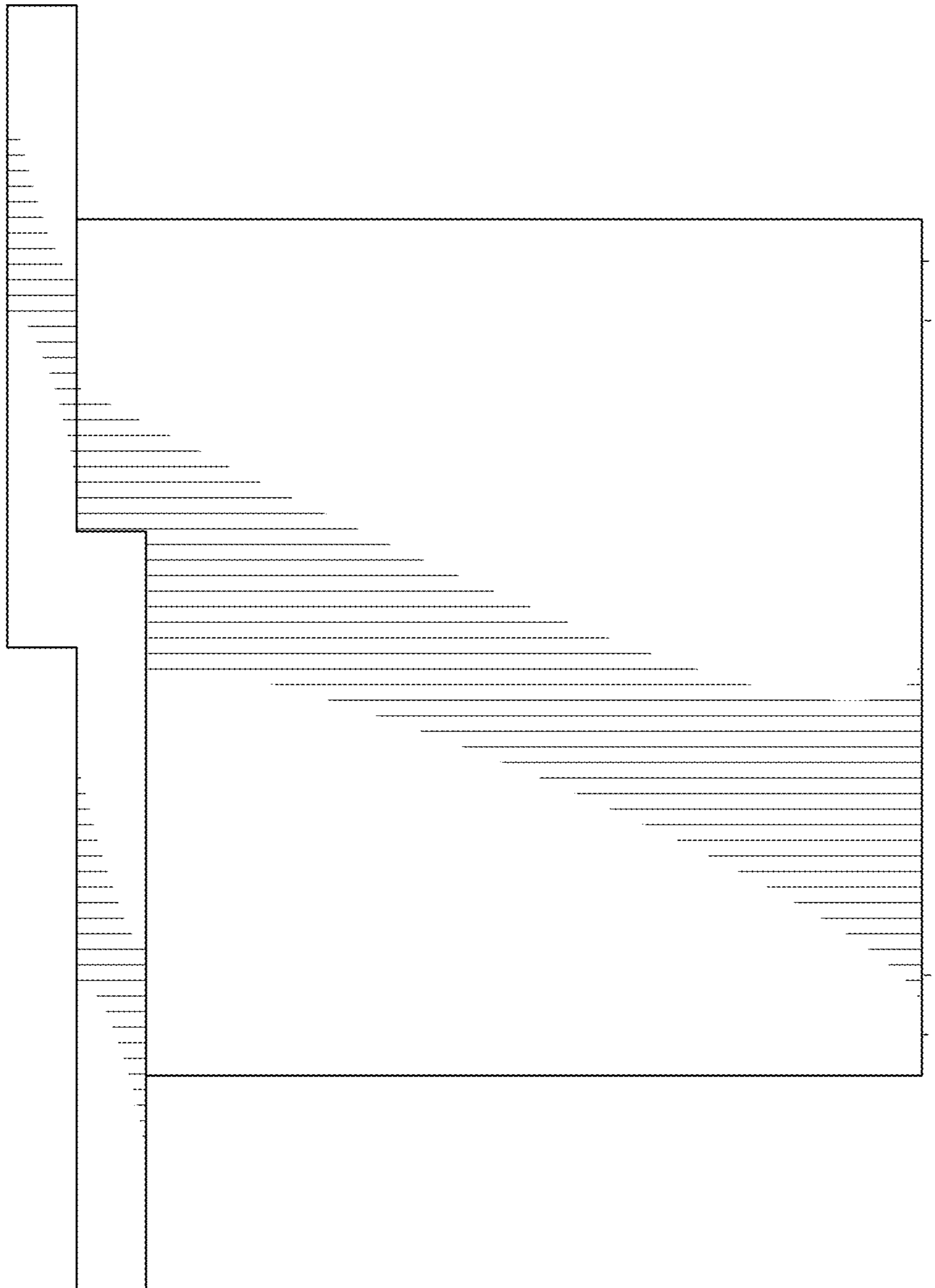


FIG. 4

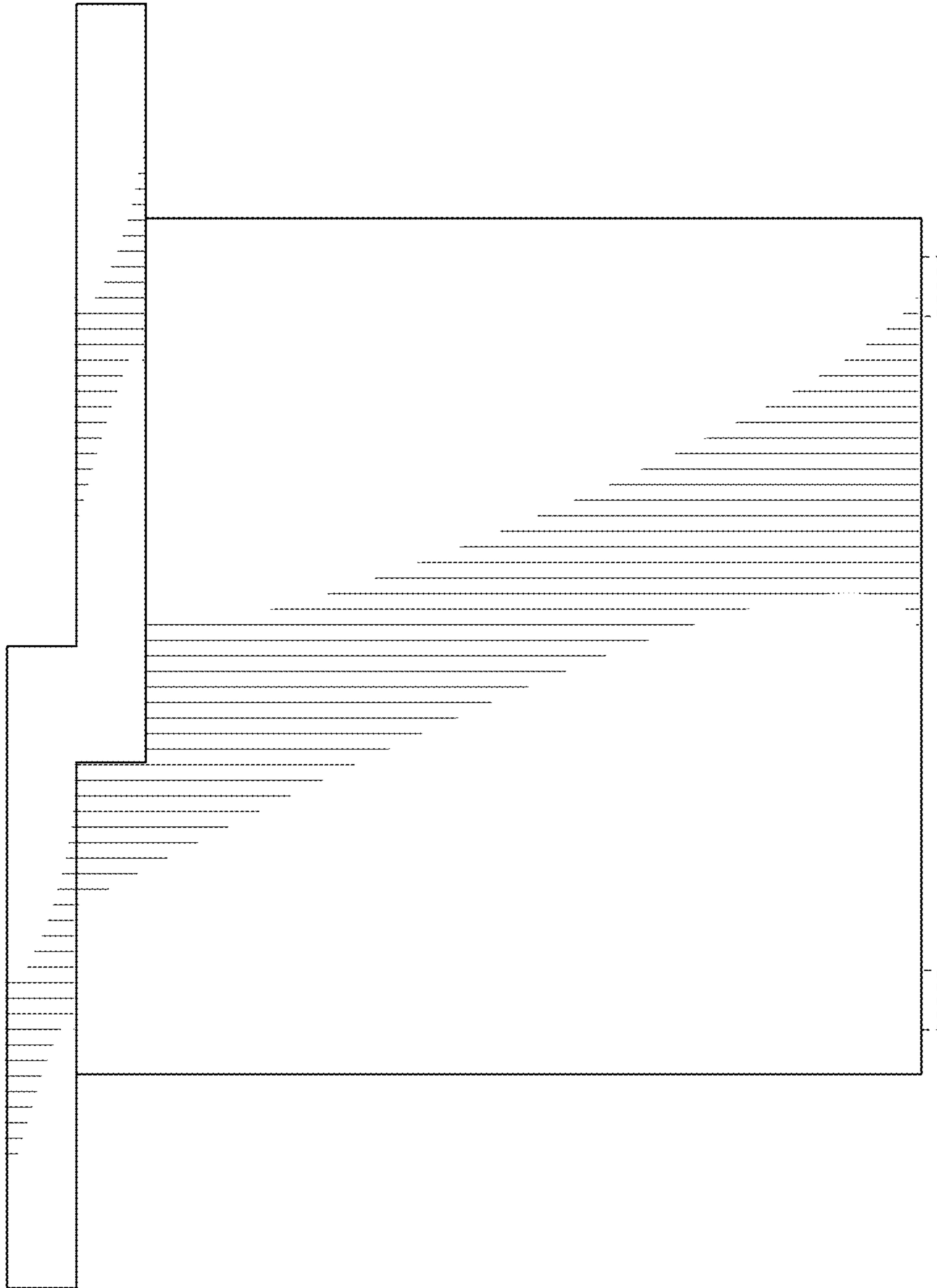


FIG. 5

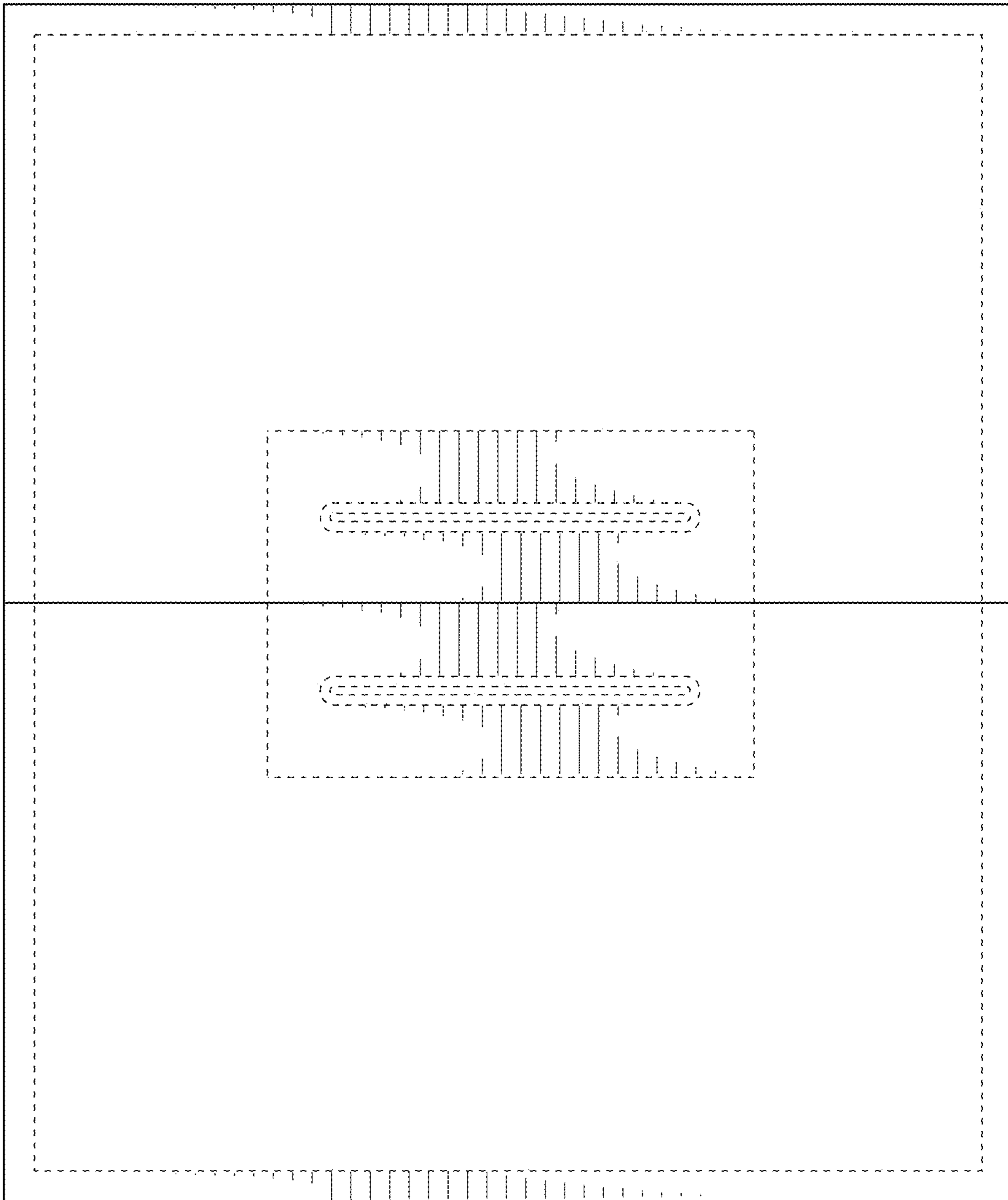


FIG. 6

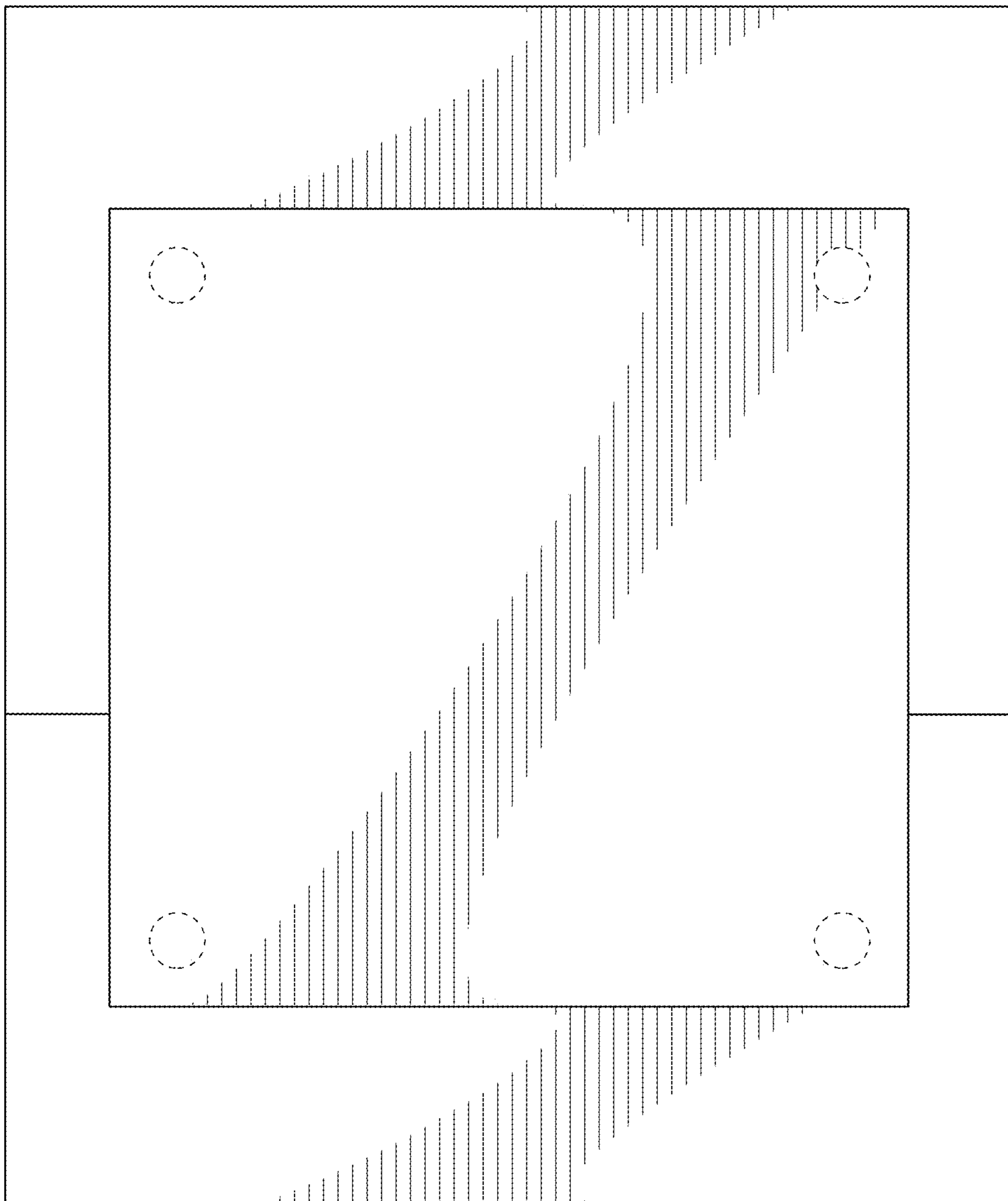


FIG. 7